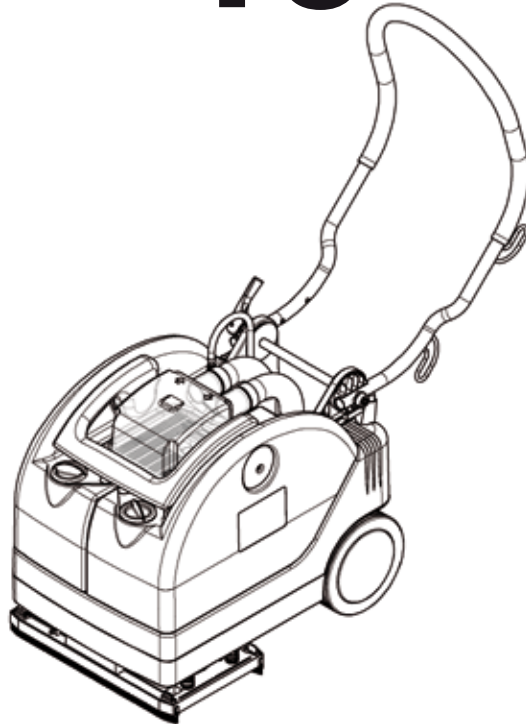


# Clarke®

## Vantage

# 13



### Operator's Manual Libro de Instrucciones Manuel d'utilisation



**READ THIS BOOK**

**LEA ESTE MANUAL**

**LISEZ CE MANUEL**

**EN**

**English (1 - 18)**

**ES**

**Español (19 - 36)**

**FR**

**Français (37 - 54)**

This book has important information for the use and safe operation of this machine. Failure to read this book prior to operating or attempting any service or maintenance procedure to your Clarke machine could result in injury to you or to other personnel; damage to the machine or to other property could occur as well. You must have training in the operation of this machine before using it. If your operator(s) cannot read this manual, have it explained fully before attempting to operate this machine.

All directions given in this book are as seen from the operator's position at the rear of the machine. For new books write to: Clarke®, 2100 Highway 265, Springdale, Arkansas 72764.



## TABLE OF CONTENTS

<b>INTRODUCTION</b> .....	<b>2</b>
MANUAL PURPOSE AND CONTENTS .....	2
TARGET .....	2
HOW TO KEEP THIS MANUAL .....	2
IDENTIFICATION DATA .....	2
OTHER REFERENCE MANUALS .....	2
SPARE PARTS AND MAINTENANCE .....	2
CHANGES AND IMPROVEMENTS .....	2
OPERATION CAPABILITIES .....	3
CONVENTIONS .....	3
<b>UNPACKING/DELIVERY</b> .....	<b>3</b>
<b>SAFETY</b> .....	<b>3</b>
SYMBOLS .....	3
GENERAL INSTRUCTIONS .....	3
120 VAC GROUNDING INSTRUCTIONS .....	6
<b>MACHINE DESCRIPTION</b> .....	<b>7</b>
MACHINE STRUCTURE .....	7
ACCESSORIES/OPTIONS .....	8
TECHNICAL DATA .....	8
WIRING DIAGRAM .....	9
<b>USE</b> .....	<b>10</b>
BEFORE MACHINE START-UP .....	10
MACHINE START AND STOP .....	12
MACHINE OPERATION (SCRUBBING/DRYING) .....	12
MACHINE TRANSPORT/PARKING .....	13
TANK EMPTYING .....	13
AFTER USING THE MACHINE .....	14
MACHINE LONG INACTIVITY .....	14
FIRST PERIOD OF USE .....	14
<b>MAINTENANCE</b> .....	<b>15</b>
SCHEDULED MAINTENANCE TABLE .....	15
SQUEEGEE CLEANING, CHECK AND REPLACEMENT .....	16
BRUSH CLEANING .....	16
VACUUM GRID, DETERGENT TANK AND RECOVERY TANK CLEANING .....	17
SOLUTION HOSE FILTER CLEANING .....	17
<b>SCRAPPING</b> .....	<b>18</b>
<b>PART LIST</b> .....	<b>55</b>

## INTRODUCTION



**NOTE**

*The numbers in brackets refer to the components shown in Machine Description chapter.*

Thank you for choosing a Clarke scrubber-dryer.

Clarke scrubber-dryer Vantage 13 is an efficient and superior quality machine for floor cleaning.

The machine is equipped with two turning brushes for a cleaning width of 12.9 in (330 mm).

Front and rear squeegees clean out the floor, while a vacuum system collects the dirty water, all in one wipe.

## MANUAL PURPOSE AND CONTENTS

The purpose of this Manual is to provide the operator with all necessary information to use the machine properly in a safe and autonomous way. It contains information about technical data, safety, operation, storage, maintenance, spare parts and disposal. Before performing any procedure on the machine, the operators and qualified technicians must read this Manual carefully. Contact Clarke in case of doubts concerning the interpretation of the instructions and for any further information.

## TARGET

This Manual is intended for operators and technicians qualified to perform the machine maintenance.

The operators must not perform procedures reserved for qualified technicians. Clarke will not be responsible for damages coming from the non-observance of this prohibition.

## HOW TO KEEP THIS MANUAL

The Operator's Manual must be kept near the machine, inside an adequate case, away from liquids and other substances that can cause damage to it.

## IDENTIFICATION DATA

The machine serial number and model are shown on the plate (1).

The machine production year is indicated by the first two figures of the machine serial number.

This information is useful when requiring machine spare parts. Use the following table to write down the machine identification data.

MACHINE model .....
MACHINE serial number .....

## OTHER REFERENCE MANUALS

- Spare Parts List (supplied with the machine)
- Service Manual (that can be consulted at any Clarke Service Center)

## SPARE PARTS AND MAINTENANCE

All necessary operating, maintenance and repair procedures must be performed by qualified personnel or by Clarke Service Centers. Only original spare parts and accessories must be used.

Call Clarke for service or to order spare parts and accessories, specifying the machine model and serial number.

## CHANGES AND IMPROVEMENTS

Clarke constantly improves its products and reserves the right to make changes and improvements at its discretion without being obliged to apply such benefits to the machines that were previously sold.

Any change and/or addition of accessory must be approved and performed by Clarke.

## OPERATION CAPABILITIES

These scrubber-dryers are used to clean (scrubbing and drying) smooth and solid floors, in civil or industrial environment, under safe operation conditions by a qualified operator.

The scrubber-dryers cannot be used for moquette and carpet cleaning.

## CONVENTIONS

Forward, backward, front, rear, left or right are intended with reference to the operator's position, that is to say in driving position with the hands on the handlebar (2).

## UNPACKING/DELIVERY

To unpack the machine carefully follow the instructions on the packing.

When the machine is delivered, check that the packing and the machine were not damaged during transportation. In case of visible damages, keep the packing and have it checked by the carrier that delivered it. Call the carrier immediately to fill in a damage claim.

Please check that the following items have been supplied with the machine:

- Scrubber-dryer Operator's Manual
- Scrubber-dryer Spare Parts List

## SAFETY

The following symbols indicate potentially dangerous situations. Always read this information carefully and take all necessary precautions to safeguard people and property.

The operator's cooperation is essential in order to prevent injury. No accident prevention program is effective without the total cooperation of the person responsible for the machine operation. Most of the accidents that may occur in a factory, while working or moving around, are caused by failure to comply with the simplest rules for exercising prudence. A careful and prudent operator is the best guarantee against accidents and is essential for successful completion of any prevention program.

## SYMBOLS



### DANGER!

*It indicates a dangerous situation with risk of death for the operator.*



### WARNING!

*It indicates a potential risk of injury for people.*



### CAUTION!

*It indicates a caution or a remark related to important or useful functions. Pay particular attention to the paragraphs marked by this symbol.*



### NOTE

*It indicates a remark related to important or useful functions.*



### CONSULTATION

*It indicates the necessity to refer to the Operator's Manual before performing any procedure.*

## GENERAL INSTRUCTIONS

Specific warnings and cautions to inform about potential damages to people and machine are shown below.



### DANGER!

- ***Before performing any maintenance, repair, cleaning or replacement procedure disconnect the plug from the electrical mains.***
- ***This machine must be used by properly trained operators only. Children or disabled people cannot use this machine.***
- ***Do not wear jewelry when working near electrical components.***
- ***Do not work under the lifted machine without supporting it with safety stands.***
- ***Do not operate the machine near toxic, dangerous, flammable and/or explosive powders, liquids or vapors: This machine is not suitable for picking up hazardous materials.***

**WARNING!**

- *Before using the machine, close all doors and/or covers.*
- *The machine power supply cable is grounded and the relevant plug is grounded too. In case of machine malfunction or breakdown, grounding connection reduces the risk of electric shock.*
- *The power supply cable plug must be connected to an appropriate outlet, which is grounded according to law in force.*
- *Improper connection can cause electric shock. Consult a qualified technician to make sure that the outlet is properly grounded.*
- *Do not modify the plug of the machine. If the power supply cable plug cannot be connected to the outlet, have new grounded outlet installed by a qualified technician, according to the law in force (local code).*
- *Before connecting the power supply cable to the electrical mains, check that frequency and voltage, shown on the machine serial number plate (1), match the electrical mains voltage.*
- *Do not unplug the machine by pulling the supply cable. To unplug, grasp the plug, not the cable.*
- *Do not handle the plug or the machine with wet hands.*
- *Turn off all controls before unplugging.*
- *Regularly check the power supply cable for damages, cracks and wear. If necessary, replace it.*
- *If the power supply cable is damaged, it must be replaced by Clarke Service Center.*
- *Do not pull or carry the machine by the supply cable; never use the power supply cable as a handle. Do not close a door on the supply cable, or pull the supply cable around sharp edges or corners. Do not run the machine on the supply cable.*
- *The brushes must not come into contact with the power supply cable.*
- *Keep the supply cable away from heated surfaces.*
- *To reduce the risk of fire, electric shock, or injury, do not leave the machine unattended when it is plugged in. Unplug the machine from the electrical mains when not in use and before servicing.*
- *Do not leave the machine unattended without being sure that it cannot move independently.*
- *Always protect the machine against the sun, rain and bad weather, both under operation and inactivity condition. Store the machine indoors, in a dry place: This machine must be used in dry conditions, it must not be used or kept outdoors in wet conditions.*
- *Do not allow to be used as a toy. Close attention is necessary when used near children.*
- *Use only as shown in this Manual. Use only Clarke's recommended accessories.*
- *Take all necessary precautions to prevent hair, jewelry and loose clothes from being caught by the machine moving parts.*
- *Do not leave the machine unattended without being sure that it cannot move independently.*
- *Do not use the machine on slopes with a gradient exceeding the specifications.*
- *Do not use the machine in particularly dusty areas.*
- *While using this machine, take care not to cause harm to people or damage to objects.*
- *Do not bump into furniture, shelves or scaffoldings, especially where there is a risk of falling objects.*
- *Do not put any can containing fluids on the machine.*
- *The machine working temperature must be between +32°F and +104°F (0°C and +40°C).*
- *The machine storage temperature must be between +32°F and +104°F (0°C and +40°C).*
- *The humidity must be between 30% and 95%.*

**WARNING!**

- *Do not use the machine as a means of transport.*
- *Do not allow the brush to operate while the machine is stationary to avoid damaging the floor.*
- *In case of fire, use a powder fire extinguisher, not a water one.*
- *Do not tamper with the machine safety guards and follow the routine maintenance instructions scrupulously.*
- *Do not allow any object to enter into the openings. Do not use the machine if the openings are clogged. Always keep the openings free from dust, hairs and any other foreign material which could reduce the air flow.*
- *Do not remove or modify the plates affixed to the machine.*
- *This machine cannot be used on roads or public streets.*
- *Pay attention during the machine transfers when temperature is below freezing point. The water in the recovery tank or in the hoses could freeze and seriously damage the machine.*
- *Use only brushes supplied with the machine and those specified in the Operator's Manual. Using other brushes could reduce safety.*
- *In case of machine malfunctions, ensure that these are not caused by a lack of maintenance. Otherwise, request assistance from the authorized personnel or from an authorized Service Center.*
- *If the machine*
  - *does not work properly*
  - *is damaged*
  - *has water or foam leaks*
  - *has been left outdoors exposed to bad weather conditions*
  - *is wet or has been dropped into water**turn it off immediately and contact Clarke Service Center or a qualified technician.*
- *If parts must be replaced, require ORIGINAL spare parts from an authorized Dealer or Retailer.*
- *To ensure machine proper and safe operation, the scheduled maintenance shown in the relevant chapter of this Manual must be performed by the authorized personnel or by an authorized Service Center.*
- *Carefully read all the instructions before performing any maintenance/repair procedure.*
- *Do not wash the machine with direct or pressurized water jets, or with corrosive substances.*
- *The machine must be disposed of properly, because of the presence of toxic-harmful materials (electronic parts, etc.), which are subject to standards that require disposal in special centers (see Scrapping chapter).*

## 120 VAC GROUNDING INSTRUCTIONS

This appliance must be grounded. If it should electrically malfunction, grounding provides a path of least resistance for electric current to reduce the risk of electric shock. This appliance is equipped with a cord having an equipment-grounding conductor and grounding plug. The plug must be plugged into an appropriate outlet that is properly installed and grounded in accordance with all local codes and ordinances.



### WARNING!

*The machine must be used with an extension power cord as follows:*

- *minimum length 15 feet*
- *type S, or ST, or SO, or STO, or STW*
- *minimum rate 300V 140/167°F (60/75°C)*



### DANGER!

- *Improper connection of the equipment-grounding conductor can result in a risk of electric shock. Check with a qualified electrician or service person if you are in doubt as to whether the outlet is properly grounded. Do not modify the plug provided with the appliance. If it will not fit the outlet, have a proper outlet installed by a qualified electrician.*
- *This appliance is for use on a nominal 120 V circuit, and has a grounding plug that looks like the plug (B, Fig. 1). A temporary adapter (B and C) may be used to connect this plug to a 2-pole receptacle (B), if a properly grounded outlet is not available. The temporary adapter should be used only until a properly grounded outlet (A) can be installed by a qualified electrician. The green-colored rigid ear, tab, or the like extending from the adapter must be connected to a permanent ground such as a properly grounded outlet box cover. Whenever the adapter is used, it must be held in place by a metal screw. Grounding adapters are not approved for use in Canada.*
- *Replace the plug if the grounding pin is damaged or broken.*
- *The Green (or Green/Yellow) wire in the cord is the grounding wire. When replacing a plug, this wire must be attached to the grounding pin only.*
- *Extension cords connected to this machine should be 12 gauge, three-wire cords with three-prong plugs and outlets. DO NOT use extension cords more than 50 ft (15 m) long.*

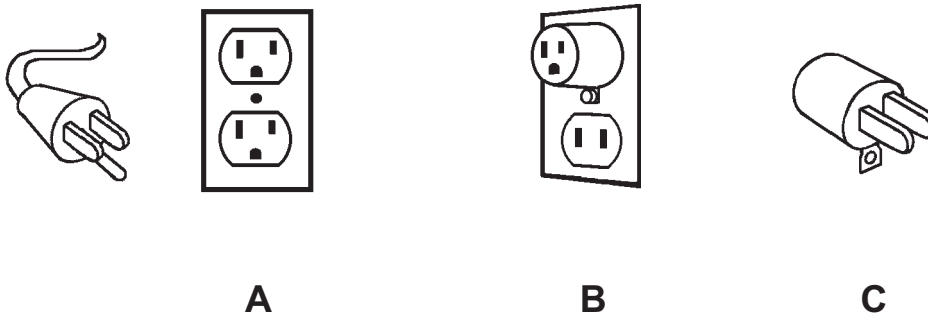


Figure 1

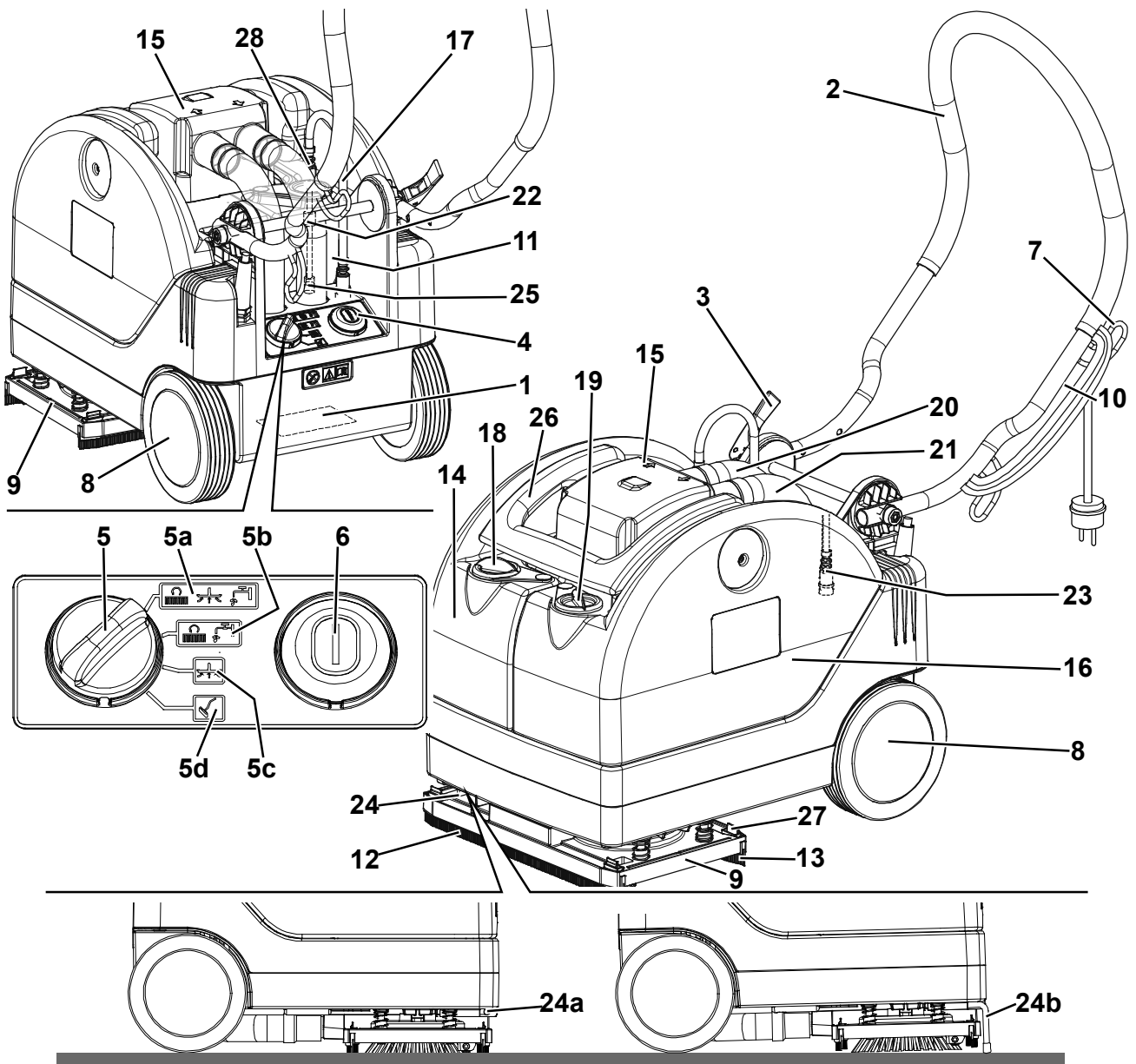
S310183A



# MACHINE DESCRIPTION

## MACHINE STRUCTURE

- |   |   |
|---|---|
| 1. Serial number plate/technical data/conformity certification  | 13. Rear squeegee                                 |
| 2. Handlebar  | 14. Solution tank                                 |
| 3. Handlebar tilting adjustment lock/unlock lever               | 15. Transparent cover with vacuum grid            |
| 4. Control panel  | 16. Recovery tank                                 |
| 5. Program selection knob                                       | 17. Solution hose                                 |
| 5a. Program: brushes - vacuum system - solution flow activation | 18. Solution tank filler plug                     |
| 5b. Program: brushes - solution flow activation                 | 19. Recovery tank drain plug                      |
| 5c. Program: vacuum system activation                           | 20. Vacuum system motor vacuum hose               |
| 5d. Program: fitted carpet cleaning and floor wiping (optional) | 21. Squeegee vacuum hose                          |
| 6. Main switch  | 22. One-way valve                                 |
| 7. Power supply cable holder                                    | 23. Solution hose quick coupling (to the brushes) |
| 8. Wheels on fixed axle   | 24. Parking lever (if equipped)                   |
| 9. Brush/squeegee-holder deck                                   | 24a. Disengaged parking lever                     |
| 10. Power supply cable  | 24b. Engaged parking lever                        |
| 11. Solution hose quick coupling (to the pump)                  | 25. Solution filter                               |
|   | 26. Tank lifting handle                           |
|   | 27. Squeegee fasteners                            |
|   | 28. Solution tank quick coupling                  |



## ACCESSORIES/OPTIONS

In addition to the standard components, the machine can be equipped with the following accessories/options, according to the machine specific use:

- Brushes of different materials
- Fitted carpet cleaning and floor wiping

For further information concerning the above-mentioned optional accessories, contact an authorized Retailer.

## TECHNICAL DATA

<b>General</b>	<b>Vantage 13 115 Volts</b>
Min/max machine length at the handlebar	28.1 / 44.1 in (715 / 1,120 mm)
Machine width with squeegee	15.1 in (385 mm)
Machine - brush deck width	15.1 in (385 mm)
Maximum machine height with adjustable handlebar	39.7 in (1,010 mm)
Total machine weight	50.7 lbs (23 kg)
Cleaning width	12.9 in (330 mm)
Central wheel diameter	7 in (180 mm)
Brush diameter	6.5 in (165 mm)
Brush number	No. 2 brushes/pads
Squeegee system	Fixed on deck
Straight squeegee width	15 in (385 mm)
Squeegee blades type	Front - Rear: PU 65 SH
Wheel pressure on the ground	101 psi (0.7 N/mm <sup>2</sup> )
Brush pressure on the floor with empty/full solution tank	19.8 / 33 lbs (9/15 kg)

<b>Performance</b>	<b>Vantage 13 115 Volts</b>
Vacuum	1.45 psi (0.10 Bar)
Solution flow	0.13 gal/min (0.4 liters/min)
Theoretic/real productivity	1,184/ 597 ft <sup>2</sup> /h (990/500 m <sup>2</sup> /h)
Solution autonomy	~ 18 min
Brush speed	200 rpm
Sound pressure level at workstation (ISO 11201, ISO 4871) (LpA)	72.5 dB(A) ± 3dB(A)
Machine sound pressure level (ISO 3744, ISO 4871) (LwA)	86 dB(A)
Vacuum system motor power	0.60 hp (450 W)
Brush motor power	0.13 hp (100 W)
Gradeability	2%
Solution tank capacity	2.1 gal (8.0 liters)
Recovery tank capacity	2.4 gal (9.0 liters)
Vibration level at the operator's arms (ISO 5349-1)	< 98.42 in/s <sup>2</sup> (< 2.5 m/s <sup>2</sup> )
Power supply cable length	590 in (15 m)

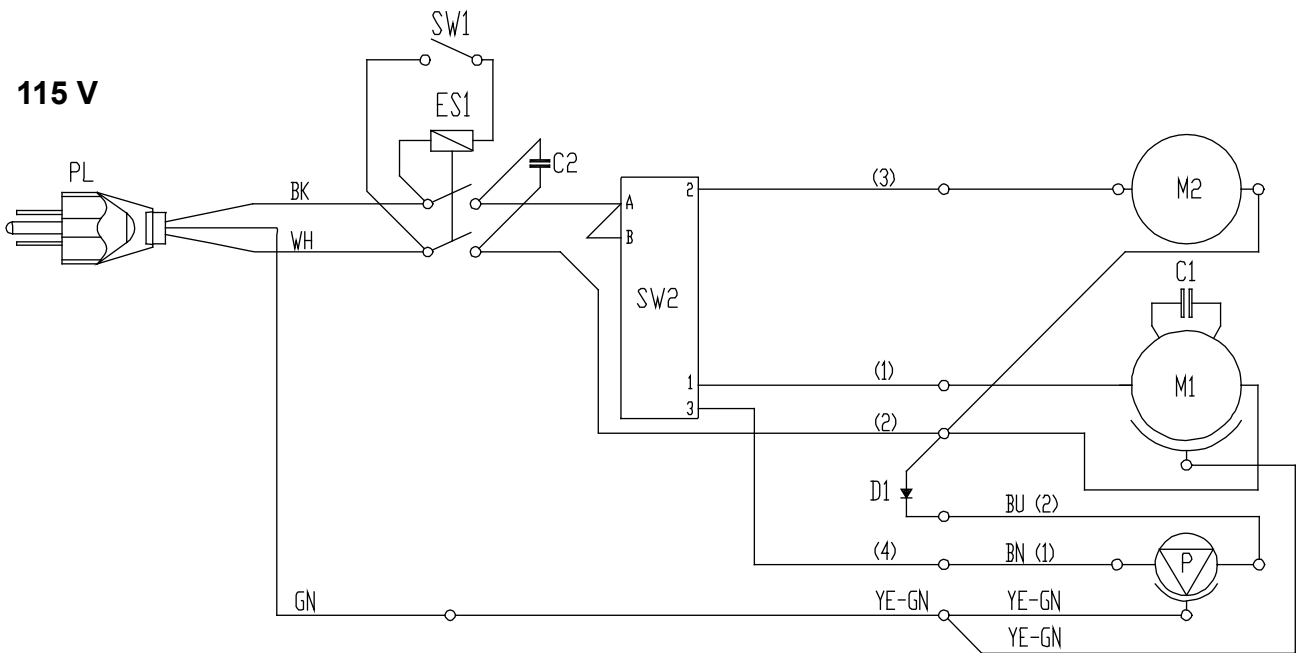
**WIRING DIAGRAM**

**Key**

C1	Brush motor condenser
C2	Filtering condenser
D1	Pump diode
ES1	Relay (115 V only)
M1	Brush motor
M2	Vacuum system motor
P	Water pump
PL	Plug
SW1	Main switch
SW2	Program selection knob

**Color code**

BK	Black
BU	Blue
BN	Brown
GN	Green
GY	Gray
OG	Orange
PK	Pink
RD	Red
VT	Violet
WH	White
YE	Yellow



P100312

**USE**



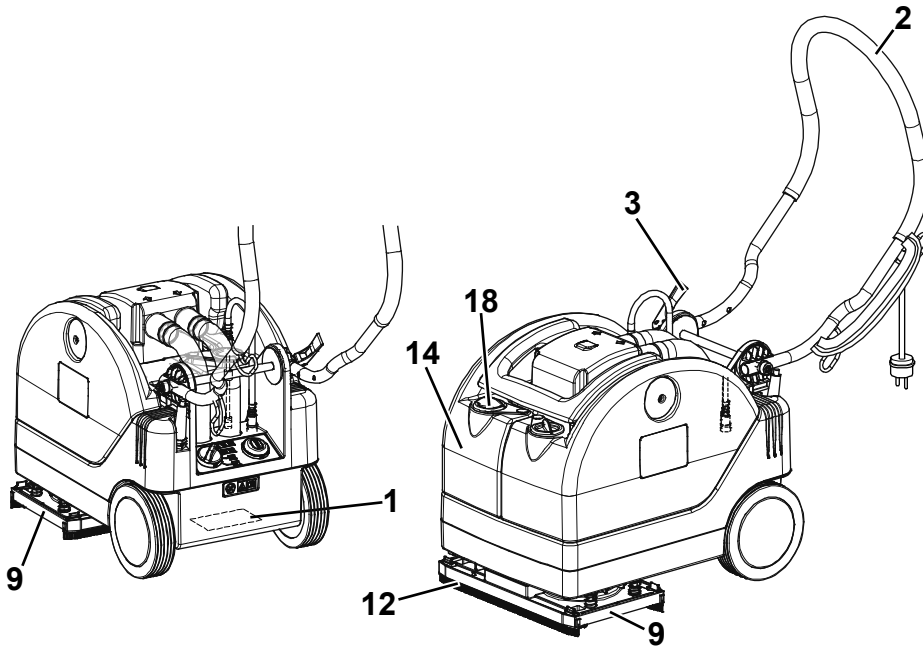
**WARNING!**

*On some points of the machine there are some adhesive plates indicating:*

- **DANGER**
- **WARNING**
- **CAUTION**
- **CONSULTATION**

While reading this Manual, the operator must pay particular attention to the symbols shown on the plates. Do not cover these plates for any reason and immediately replace them if damaged.

**BEFORE MACHINE START-UP**



P100308

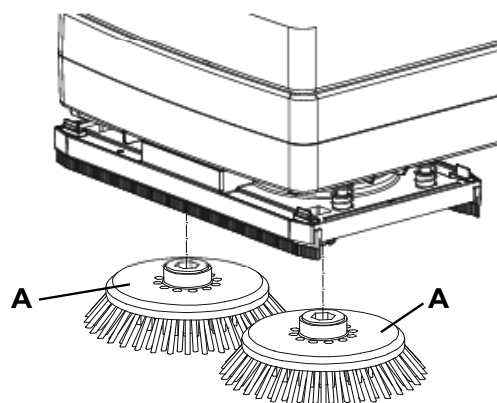
**Brush installation**



**NOTE**

*The machine is supplied with two brushes (A, Fig. 2) installed. According to the type of floor to be cleaned, the brushes can be replaced.*

1. Lift the machine by prying the handlebar (2).
2. Install the brushes (A, Fig. 2) in the 2 hubs of the deck (9).
3. Lower the machine by using the handlebar (2).



**Figure 2**

P100313

**Brush application guide (suggestions only)**

Types of brushes available		LITE POLY	POLY
<b>General cleaning:</b>	Concrete		
	Terrazzo floor		
	Ceramic tiles/quarrrystones		
	Marble		
	Vinyl tiles		
	Rubber tiles		

**Solution tank filling**

- Use the filler plug (18) to fill the tank (14) with a solution suitable for the work to be performed. Do not fill the solution tank completely, leave few inches from the edge. Always follow the dilution instructions on the container label on the chemical product used to create the solution. The solution temperature must not exceed +104°F (+40°C).



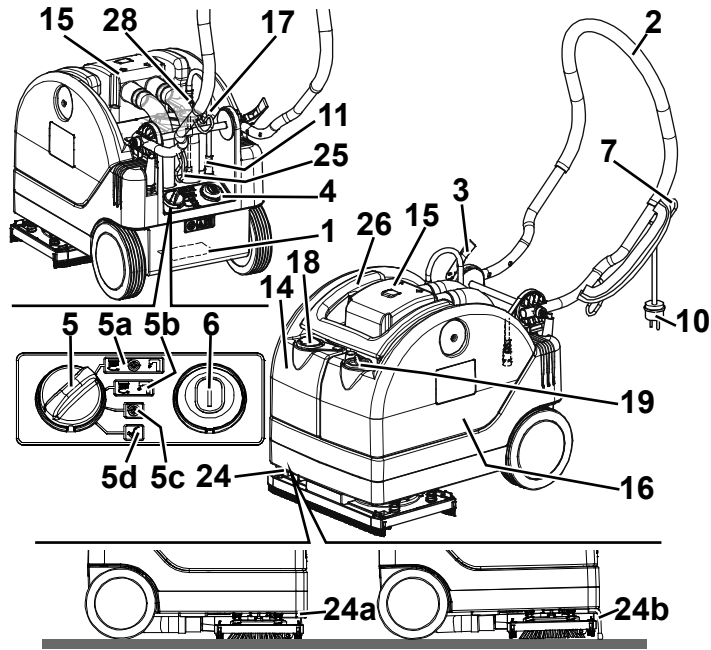
**CAUTION!**

*Use only low-foam and non-flammable detergents, intended for automatic scrubber applications.*

**Adjustments**

- Adjust the handlebar (2) with the knobs (3) to reach a comfortable position.

**MACHINE START AND STOP**



P100309

**Starting the machine**

1. Prepare the machine as shown in the previous paragraph.
2. Turn the parking lever (24, if equipped) to position (24a).
3. Drive the machine to the working place by pushing it with the hands on the handlebar (2).
4. Connect the power supply cable (10) to the electrical mains.

**WARNING!**  
*Before connecting the power supply cable to the electrical mains, check that frequency and voltage, shown on the machine serial number plate (1), match the electrical mains voltage.*

5. Turn the knob (5) to the suitable program.
  - (5a) brushes - vacuum system - solution flow activation
  - (5b) brushes - solution flow activation
  - (5c) vacuum system activation
  - (5d) fitted carpet cleaning and floor wiping (optional)
6. Turn on the machine by pressing the switch (6) and start cleaning the floor.

**Stopping the machine**

7. Turn off the machine by pressing the switch (6).
8. Disconnect the power supply cable (10) from the electrical mains.
9. Lift the brush by turning the transport/parking device (24, if equipped) to position (24b).

**MACHINE OPERATION (SCRUBBING/DRYING)**

1. Start the machine as shown in the previous paragraph.
2. While keeping both hands on the handlebar (2), move the machine and start scrubbing/drying the floor.

**CAUTION!**  
*To avoid damaging the floor surface, do not use the brushes without the solution and, when the machine is not operating, stop the brush by pressing the program (5c or 5d), or by pressing the switch (6).*

**CAUTION!**  
*Before lifting the brush, turn it off by pressing the switch (6).*

## MACHINE TRANSPORT/PARKING

To transport/park the machine, proceed as follows.

1. Turn off the machine by pressing the switch (6).
2. Disconnect the power supply cable (10) from the electrical mains and place it on the holder (7).
3. Push the machine with the handlebar (2) and keep the brush/squeegee-holder deck slightly lifted.
4. Lift the machine and turn the parking lever (24, if equipped) to position (24b).

## TANK EMPTYING



### WARNING!

*To avoid spilling the water (for example during an abrupt machine maneuver), drain the recovery tank (16) at the end of every cleaning cycle.*

Through the transparent cover (15) visually check if the recovery tank (16) full.



### CAUTION!

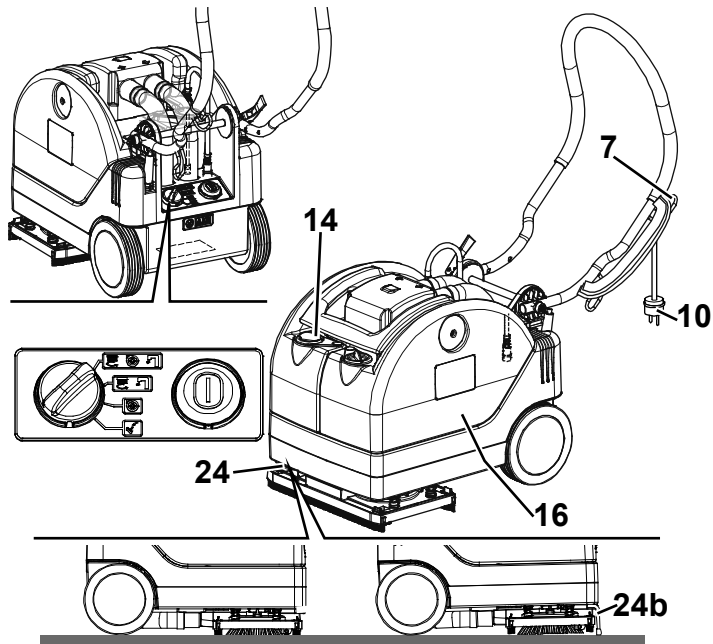
*If the recovery tank (16) is not emptied when full, the vacuum system ejects the excess of liquid through the air outlets, thus dampening the floor.*

When the recovery tank (16) is full, empty it as shown below.

### Recovery tank and solution tank emptying

1. Turn off the machine by pressing the switch (6).
2. Disconnect the power supply cable (10) from the electrical mains and place it on the holder (7).
3. Drive the machine to the appointed disposal area.
4. Lift the brush/squeegee-holder deck and turn the parking lever to position (24b).
5. Carefully remove the quick coupling (28) from the solution tank.
6. Move the transparent cover (15) aside and lift the tanks with the handle (26).
7. Open the recovery tank drain plug (19) and empty the tank.
8. If necessary empty the solution tank (14) by opening the plug (18).  
Then, rinse the tanks and the solution hose filter (25) with clean water.

**AFTER USING THE MACHINE**



P100310

After working, before leaving the machine:

1. Turn the parking lever (24, if equipped) to position (24b).
2. Disconnect the power supply cable (10) from the electrical mains and place it on the holder (7).
3. Empty the tanks (14 and 16) as shown in the previous paragraph.
4. Perform the daily maintenance operations (see the Maintenance chapter).
5. Store the machine in a clean and dry place.

**MACHINE LONG INACTIVITY**

If the machine is not going to be used for more than 30 days, proceed as follows:

1. Perform the procedures shown in After Using the Machine paragraph.
2. Store the machine in a clean and dry place.

**FIRST PERIOD OF USE**

After the first 8 hours, check the machine fastening and connecting parts for proper tightening. Check the visible parts for integrity and leakage.



## MAINTENANCE

The lifespan of the machine and its maximum operating safety are ensured by correct and regular maintenance. The following chart provides the scheduled maintenance. The intervals shown may vary according to particular working conditions, which are to be defined by the person in charge of the maintenance.



### WARNING!

**Maintenance operations must be carried out with the machine switched off and the power supply cable disconnected from the electrical mains.**

**Moreover, carefully read all the instructions in the Safety paragraph.**

All scheduled or extraordinary maintenance procedures must be performed by qualified personnel, or by an authorized Service Center.

This Manual describes only the easiest and most common maintenance procedures.



### NOTE

*For other maintenance procedures shown in the Scheduled Maintenance Table, refer to the Service Manual that can be consulted at any Service Center.*

## SCHEDULED MAINTENANCE TABLE

Procedure	Daily, after machine use	Weekly	Every six months	Yearly
Brush cleaning				
Squeegee cleaning				
Tank and vacuum screen cleaning				
Squeegee blade check and replacement				
Solution hose filter cleaning				
Screw and nut tightening check			(1)	
Vacuum system motor carbon brush check and replacement				(2)

(1) And after the first 8 working hours.

(2) This maintenance procedure must be performed by Clarke authorized Service Center.

## SQUEEGEE CLEANING, CHECK AND REPLACEMENT



**NOTE**

*The squeegees must be clean and its blades must be in good conditions in order to get a good drying.*



**CAUTION!**

*It is advisable to wear protective gloves when cleaning the squeegees and the brush deck because there may be cutting debris.*

1. Drive the machine on a level ground.
2. Make sure that the power supply cable (10) is disconnected from the electrical mains.
3. To reach for the brush/squeegee-holder deck, lift the machine by using the handlebar (2).
4. Remove the squeegees from the deck by pressing the fasteners (27).
5. Check the brush/squeegee-holder deck (9) and clean it, in particular, clean the compartments (A, Fig. 3) and the vacuum hole (B).
6. Wash and clean the squeegee. In particular, clean the compartments (C) and the vacuum hole (D) from dirt and debris.
7. Check that the blade (E) and the blade (F) are integral and free from cuts and lacerations; if necessary replace them.
8. Install the squeegees.

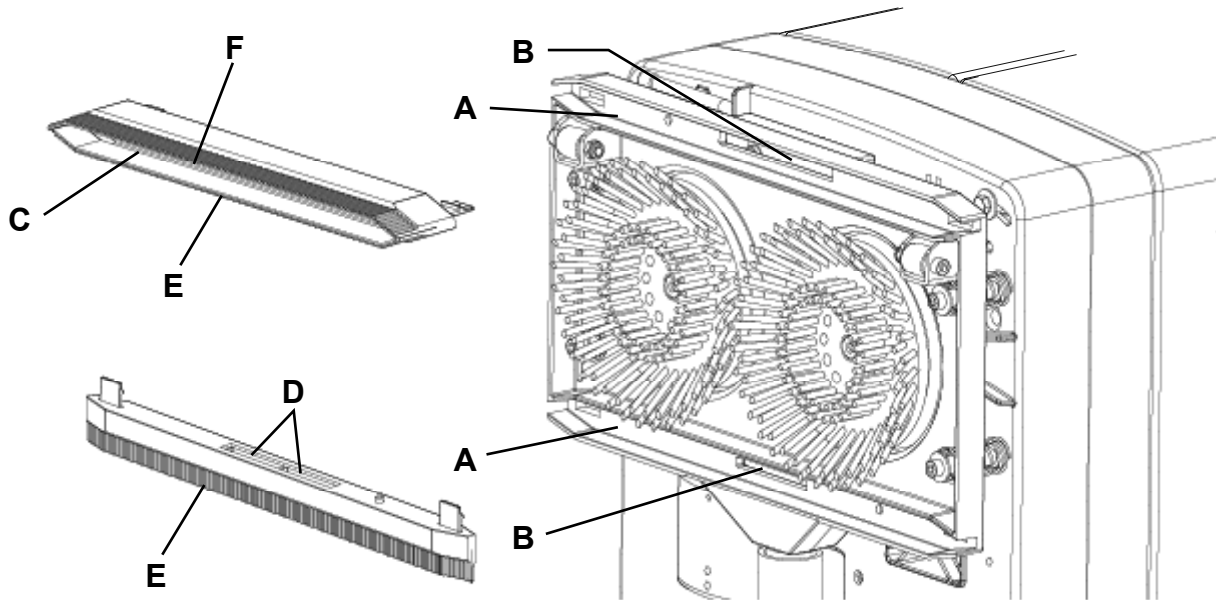


Figure 3

P100314

## BRUSH CLEANING



**CAUTION!**

*It is advisable to wear protective gloves when cleaning the brushes because there may be cutting debris.*

1. Remove the brushes from the machine, as shown in Use chapter.
2. Clean and wash the brushes with water and detergent.
3. Check the brush bristles for integrity and wear; if necessary, replace the brushes.

## VACUUM GRID, DETERGENT TANK AND RECOVERY TANK CLEANING

1. Drive the machine to the appointed disposal area.
2. Make sure that the power supply cable (10) is disconnected from the electrical mains.
3. Open the transparent cover (A, Fig. 4) and clean it carefully.  
Clean the vacuum grid (B) with care. If necessary disconnect the hoses (20 and 21).
4. Check the transparent cover gasket (C) for integrity.



### NOTE

*The gasket (C) creates vacuum in the tank that is necessary for vacuuming the recovery water.*

- If necessary replace the gasket (C) by removing it from its housing (A).
5. Check that the seating surface (D) of the gasket (C) is integral and adequate for the gasket itself.
  6. Drain and wash the recovery tank (16) and the detergent tank (14) as shown in Use chapter.
  7. Install the tanks and the transparent cover with the vacuum grid.

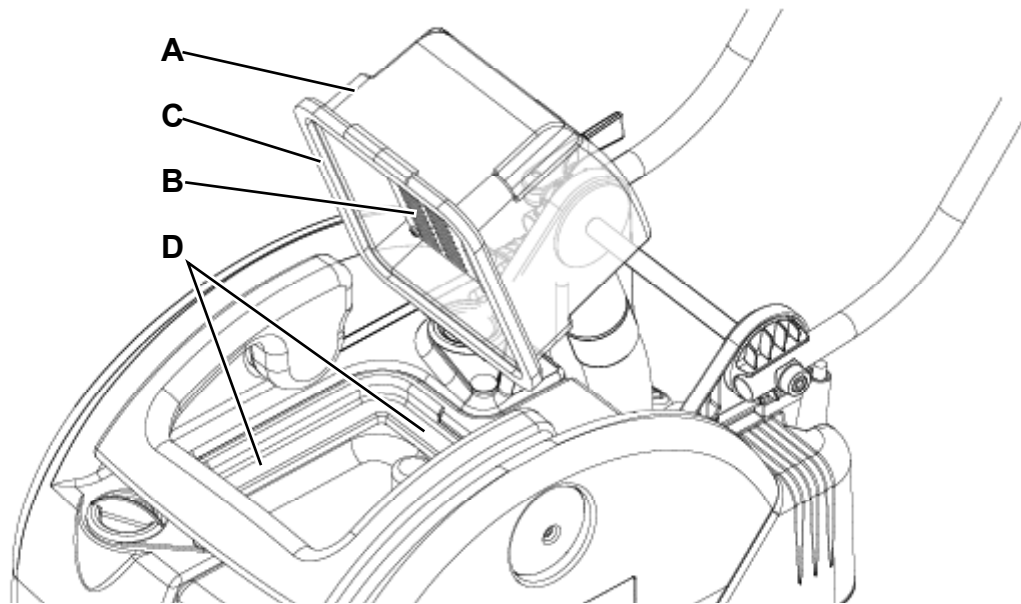


Figure 4

P100315

## SOLUTION HOSE FILTER CLEANING

1. Drive the machine on a level ground.
2. Make sure that the power supply cable (10) is disconnected from the electrical mains.
3. Remove the solution hose plug (A, Fig. 5), carefully remove the hose from the tank and clean the filter (B) with water.  
If necessary, remove the filter and replace it with a new one.
4. Install the filter with the solution hose inside the tank, then install the plug.

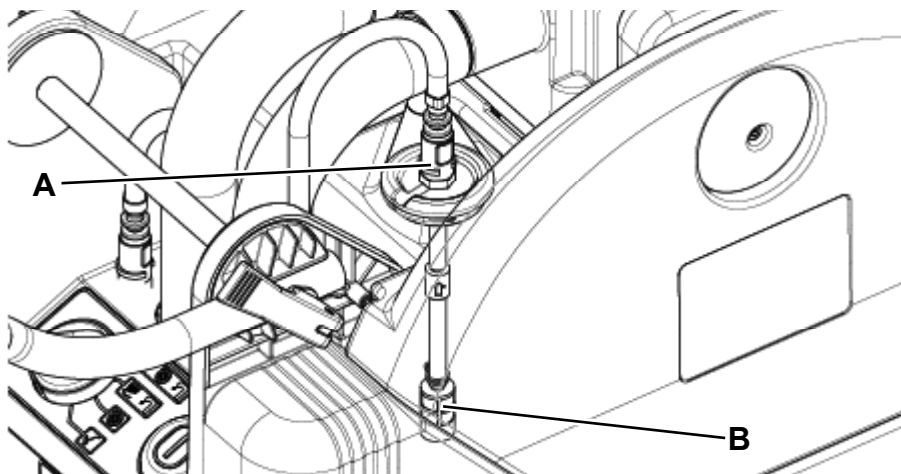


Figure 5

P100316

## TROUBLESHOOTING

Trouble	Possible Cause	Remedy
The motors do not turn on.	The power supply cable (10) is faulty or disconnected from the electrical mains.	Replace the cable or connect it.
Dirty water vacuuming is insufficient or there is no vacuuming.	The recovery tank (16) is full.	Empty.
	The vacuum grid (15) is clogged.	Clean.
	The vacuum hose (21) is disconnected from the deck (9) or is damaged.	Connect or replace.
	The squeegees (12 - 13) are dirty or the squeegee blades are worn or damaged.	Clean or replace the squeegees.
	The transparent cover gasket (15) is damaged.	Check and/or clean the seating surface or replace the gasket.
	The vacuum system motor is damaged.	Replace (*).
The solution flow is insufficient.	The solution filter (25) is dirty.	Clean.
The brushes do not turn.	The driving belt is loosened or broken.	Adjust or replace (*).
	The brush motor is damaged.	Replace (*).
The squeegee leaves marks on the floor.	There is debris under the squeegee blades (12 - 13).	Remove the debris.
	The squeegee blades (12 - 13) are worn, chipped or torn.	Replace the blades.

(\*) This maintenance procedure must be performed by Clarke authorized Service Center.

For further information refer to the Service Manual, available at any Clarke Service Center.

## SCRAPPING

Have the machine scrapped by a qualified scrapper.

Before scrapping the machine, remove and separate the following materials, which must be disposed of properly according to the Law in force (local guidelines):

- Brush
- Electrical and electronic components (\*)

(\*) Refer to the nearest Clarke Center especially when scrapping electrical and electronic components.

**LEA ESTE LIBRO**

Contiene información importante para el uso correcto y seguro de la máquina. Lea este libro completamente antes de arrancar la máquina o hacer cualquier operación de mantenimiento. Si no siga las instrucciones, corre el peligro de herirse o causar lesiones al personal, o causar daños importantes a la máquina o a su entorno. Antes de usar la máquina, es indispensable seguir una formación. Si Usted (o el operador) no habla español, solicite (o proporcionele) todas las informaciones necesarias. El libro está traducido en otros idiomas. Todas las indicaciones de dirección dadas en este libro están dadas desde la posición del operador en la parte de atrás de la máquina. Puede Ud. conseguir libros suplementarios dirigiéndose a su distribuidor Clarke.

**ÍNDICE**

**INTRODUCCIÓN..... 20**

    FINALIDAD Y OBJETO DE ESTE MANUAL ..... 20

    DESTINATARIOS ..... 20

    CONSERVACIÓN DEL MANUAL ..... 20

    DATOS DE IDENTIFICACIÓN ..... 20

    OTROS MANUALES DE REFERENCIA ..... 20

    PIEZAS DE REPUESTO Y MANTENIMIENTO ..... 20

    MODIFICACIONES Y MEJORAS ..... 20

    CARACTERÍSTICAS DE FUNCIONAMIENTO ..... 21

    CONVENCIONES..... 21

**DESEMBALAJE/ENTREGA..... 21**

**SEGURIDAD ..... 21**

    SÍMBOLOS ..... 21

    INSTRUCCIONES GENERALES ..... 21

    INSTRUCCIONES PARA LA PUESTA A TIERRA 120 VAC..... 24

**DESCRIPCIÓN DE LA MÁQUINA..... 25**

    ESTRUCTURA DE LA MÁQUINA..... 25

    ACCESORIOS/OPCIONES ..... 26

    DATOS TÉCNICOS ..... 26

    ESQUEMA ELÉCTRICO ..... 27

**USO..... 28**

    ANTES DE LA PUESTA EN MARCHA DE LA MÁQUINA..... 28

    PUESTA EN MARCHA Y PARADA DE LA MÁQUINA ..... 30

    MÁQUINA EN FUNCIÓN (LAVADO/SECAMIENTO)..... 30

    TRANSPORTE/ESTACIONAMIENTO DE LA MÁQUINA..... 31

    VACIADO DE LOS DEPÓSITOS..... 31

    DESPUÉS DE LA UTILIZACIÓN DE LA MÁQUINA ..... 32

    PERIODO DE LARGA INACTIVIDAD DE LA MÁQUINA..... 32

    PRIMER PERIODO DE USO ..... 32

**MANTENIMIENTO ..... 33**

    ESQUEMA DE MANTENIMIENTO PROGRAMADO..... 33

    LIMPIEZA, CONTROL Y SUSTITUCIÓN DE LAS BOQUILLAS ..... 34

    LIMPIEZA DE LOS CEPILLOS ..... 34

    LIMPIEZA DE LA REJILLA DE ASPIRACIÓN, DEL DEPÓSITO DEL DETERGENTE Y DEL DEPÓSITO DEL AGUA DE RECUPERACIÓN..... 35

    LIMPIEZA DEL FILTRO DEL TUBO DE LA SOLUCIÓN DETERGENTE..... 35

**ELIMINACIÓN..... 36**

**PART LIST ..... 55**

## INTRODUCCIÓN



**NOTA**

Los números entre paréntesis se refieren a los componentes ilustrados en el capítulo Descripción de la máquina.

Gracias por haber escogido un producto de la línea fregadoras/secadoras de Clarke.

El modelo Vantage 13 Clarke es una máquina eficaz y de calidad superior para la limpieza de los suelos.

La máquina está equipada de dos cepillos y tiene una anchura de limpieza de 12,9 in (330 mm).

Una boquilla delantera y una boquilla trasera limpian el suelo y un sistema de aspiración recupera el agua de lavado del suelo, todo en una pasada.

### FINALIDAD Y OBJETO DE ESTE MANUAL

Este manual contiene todas las informaciones necesarias para que el operador utilice la máquina de forma adecuada, autónoma y segura. Incluye informaciones inherentes a los datos técnicos, la seguridad el funcionamiento, el almacenamiento, el mantenimiento, las piezas de repuesto y la eliminación.

Antes de efectuar cualquier operación de mantenimiento, los operadores y los técnicos calificados tienen que leer cuidadosamente las instrucciones incluidas en este manual. En caso de dudas sobre la correcta interpretación de las instrucciones, consultar Clarke para obtener explicaciones.

### DESTINATARIOS

Este manual es para los operadores y los técnicos encargados del mantenimiento de la máquina.

Los operadores no deben efectuar procedimientos reservados a los técnicos calificados. Clarke no es responsable para los daños causados a la máquina por falta de observación de esta prohibición.

### CONSERVACIÓN DEL MANUAL

Este Manual de uso debe conservarse junto a la máquina, dentro de su contenedor, lejos de líquidos y otras sustancias que podrían dañarlo.

### DATOS DE IDENTIFICACIÓN

El número de serie y el modelo de la máquina están marcados en la placa (1).

El año de fabricación de la máquina está indicado por las dos primeras cifras del número de serie de la máquina misma.

Esta información es necesaria cuando se pidan piezas de repuesto para la máquina. Utilizar el espacio siguiente para escribir los datos de identificación de la máquina.

Modelo MÁQUINA .....
Número de serie MÁQUINA .....

### OTROS MANUALES DE REFERENCIA

- Catálogo piezas de repuestos (en dotación a la máquina)
- Manual de asistencia (que se puede consultar cerca de los Centros de asistencia Clarke)

### PIEZAS DE REPUESTO Y MANTENIMIENTO

Para cualquier necesidad inherente al uso, mantenimiento y reparación, consultar al personal calificado o los Centros de asistencia Clarke. Utilizar siempre piezas de repuesto y accesorios originales.

Para la asistencia o para ordenar piezas de repuesto y accesorios acudir a Clarke, especificando siempre el modelo y el número de serie de la máquina.

### MODIFICACIONES Y MEJORAS

Clarke está constantemente mejorando sus productos y se reserva el derecho de realizar modificaciones y mejoras a su discreción, sin verse obligada a aplicar dichas ventajas a las máquinas vendidas previamente.

Sólo Clarke puede aprobar y efectuar cualquier modificación y/o instalación de accesorios.

## CARACTERÍSTICAS DE FUNCIONAMIENTO

Estas fregadoras/secadoras son adecuadas para limpiar (lavar y secar) suelos lisos y sólidos, en ambiente privado o industrial, en condiciones de seguridad, por parte de un operador calificado.

Las fregadoras/secadoras no son adecuadas para limpiar alfombras o moqueta.

## CONVENCIONES

En este manual, las indicaciones de adelante, atrás, delantero, trasero, derecho e izquierdo, se refieren al operador en posición de conducción con las manos sobre el manillar (2).

## DESEMBALAJE/ENTREGA

Para desembalar la máquina seguir cuidadosamente las instrucciones colocadas sobre el embalaje.

Al momento de la entrega, controlar con cuidado el embalaje y la máquina por si hayan sufrido daños durante el transporte. Si los daños son evidentes, conservar el embalaje, de forma que el transportista que lo ha entregado lo pueda inspeccionar. Contactarlo de inmediato para compilar una indemnización daños y perjuicios.

Controlar que la máquina sea entregada junto a los siguientes componentes:

- Libro de instrucciones de la fregadora/secadora
- Catálogo piezas de repuestos de la fregadora/secadora

## SEGURIDAD

La siguiente simbología sirve para señalar situaciones de peligro potencial. Leer siempre cuidadosamente estas informaciones y tomar las precauciones necesarias para proteger personas y cosas.

Para evitar desgracias, la cooperación del operador es fundamental. Ningún programa de prevención de accidentes resulta eficaz sin la total cooperación de la persona directamente responsable del funcionamiento de la máquina. La mayoría de los accidentes que pueden producirse en una empresa, durante el trabajo o los traslados, son provocados por no observar las reglas de seguridad fundamentales. Un operador cuidadoso y cauto es la mejor garantía para evitar posibles accidentes y resulta más eficaz que cualquier programa de prevención.

## SÍMBOLOS



**¡PELIGRO!**

*Indica un peligro con riesgo, incluso mortal, para el operador.*



**¡ATENCIÓN!**

*Indica el riesgo potencial de infortunios para las personas.*



**¡ADVERTENCIA!**

*Indica una advertencia o una nota sobre una función importante o útil. Tener cuidado de las partes del texto marcadas con este símbolo.*



NOTA

*Indica una nota sobre una función importante o útil.*



CONSULTAS

*Indica la necesidad de consultar el manual antes de efectuar cualquier operación.*

## INSTRUCCIONES GENERALES

Se describen aquí las advertencias y precauciones específicas por lo que se refiere a los potenciales riesgos de daños a la máquina o a las personas.



**¡PELIGRO!**

- **Antes de efectuar cualquier operación de limpieza, mantenimiento o sustitución de piezas desconectar el enchufe de la toma eléctrica.**
- **Sólo los operadores cualificados pueden usar esta máquina. Los niños y los minusválidos no pueden usar esta máquina.**
- **Quitarse las joyas cuando se trabaja cerca de los componentes eléctricos.**
- **No trabajar bajo la máquina levantada si ésta no está fijada con los soportes de seguridad adecuados.**
- **No activar la máquina en un ambiente donde haya polvo, líquidos o vapores nocivos, peligrosos, inflamables y/o explosivos. No usar la máquina para recoger materiales peligrosos.**



**¡ATENCIÓN!**

- *Antes de usar la máquina, cerrar todas los portillos y/o las tapas.*
- *Esta máquina está equipada con cable de alimentación con puesta a tierra y enchufe relacionado con puesta a tierra. En caso de avería o bloqueo eléctrico de la máquina, la puesta a tierra reduce el riesgo de electrochoque.*
- *El enchufe se debe insertar en una toma de corriente adecuada con puesta a tierra según las normas actuales.*
- *La conexión no correcta causa el riesgo de electrochoque. Si hay dudas sobre la presencia de puesta a tierra en la toma eléctrica que se debe usar, acudir a un técnico cualificado.*
- *No modificar el enchufe de la máquina. Si no es posible conectar el enchufe a la toma de corriente, es necesario que un técnico cualificado instale tomas de corriente con puesta a tierra, según las normas actuales.*
- *Antes de conectar el cable de alimentación a la red eléctrica, controlar que la frecuencia y la tensión indicadas en la placa del número de serie de la máquina (1) coincidan con la tensión de la red.*
- *No desenchufar la máquina tirando por el cable. Para desenchufar la máquina, agarrar el enchufe, no el cable.*
- *No tocar el enchufe o la máquina con las manos bañadas.*
- *Desactivar todos los mandos antes de desenchufar la máquina.*
- *Controlar regularmente si el cable de alimentación está dañado, grietado o desgastado. Si se detectan daños en el cable de alimentación, sustituirlo antes de volver a usarlo.*
- *Si el cable de alimentación está dañado, sólo un Centro de asistencia Clarke puede sustituirlo.*
- *No tirar o transportar la máquina por el cable; no utilizar el cable como empuñadura. No cerrar el cable en una puerta o tirarlo sobre bordes o ángulos afilados. No atropellar el cable con la máquina.*
- *No dejar que los cepillos contacten con el cable de alimentación.*
- *Tener el cable lejos de superficies calientes.*
- *Para reducir el riesgo de incendio, electrochoque o lesiones, no dejar la máquina conectada a la red eléctrica cuando está sin custodia. Desenchufar la máquina cuando no se usa y antes de efectuar el mantenimiento.*
- *No dejar la máquina sin custodia y sin haberse asegurado que no pueda moverse de forma autónoma.*
- *Proteger siempre la máquina del sol, lluvia y otras intemperie, tanto durante el funcionamiento como durante los períodos de inactividad. Almacenar la máquina en un lugar cerrado y seco. Esta máquina sólo se puede usar en seco y no se debe usar o tener al exterior en condiciones de humedad.*
- *No permitir que la máquina se utilice como un juguete. Tener mucho cuidado cuando se usa cerca de niños.*
- *No usar con finalidades diferentes de aquellas indicadas en este manual. Usar sólo accesorios recomendados por Clarke.*
- *Tomar todas las precauciones necesarias para que el pelo, las joyas y las ropas no sean capturados por las partes móviles de la máquina.*
- *No dejar la máquina sin custodia y sin haberse asegurado que la máquina no pueda moverse de forma autónoma.*
- *No usar la máquina sobre suelos con inclinaciones superiores a las especificaciones.*
- *No usar la máquina en ambientes demasiado polvorientos.*
- *Cuando se utiliza esta máquina, tener cuidado de salvaguardar la incolumidad de las personas y las cosas.*
- *No chocar contra muebles, estanterías o andamios de los que puedan caer objetos.*
- *No apoyar contenedores de líquidos sobre la máquina.*
- *La temperatura de la máquina en trabajo debe estar entre los 0°C y los +40°C.*
- *La temperatura de almacenamiento de la máquina debe estar entre +32°F y +104°F (0°C y +40°C).*
- *La humedad debe estar entre el 30% y el 95%.*





### ¡ATENCIÓN!

- *No usar la máquina como vehículo de transporte.*
- *No permitir que el cepillo funcione mientras la máquina está parada en un punto para evitar posibles daños al suelo.*
- *En caso de incendio usar un extintor de polvo, no de agua.*
- *No adulterar por ninguna razón las protecciones previstas para la máquina, respetar escrupulosamente las instrucciones previstas para el mantenimiento ordinario.*
- *No dejar que material extraño entre en las aperturas. No utilizar la máquina si las aperturas están obstruidas. Las aperturas deben mantenerse libre de polvo, hilacha, pelos y cualquier otro cuerpo extraño que pueda reducir el flujo de aire.*
- *No quitar ni modificar las placas colocadas en la máquina.*
- *Esta máquina no tiene aprobación para el uso en carreteras o vías públicas.*
- *Tener cuidado durante el traslado de la máquina en condiciones de temperatura muy baja. El agua en el depósito del agua de recuperación o en los tubos, podría congelarse y dañar la máquina.*
- *Usar sólo los cepillos suministrados junto a la máquina o aquellos indicados en el Manual de uso. Usar otros cepillos puede perjudicar la seguridad.*
- *Cuando la máquina no funciona correctamente, asegurarse de que esto no sea causado por falta de mantenimiento. En caso contrario pedir la intervención del personal autorizado o del Centro de asistencia autorizado.*
- *Si la máquina*
  - *no funciona correctamente*
  - *está dañada*
  - *pierde espuma o agua*
  - *se ha dejado al abierto, expuesta a intemperie*
  - *está mojada o se ha caído en el agua*
- *apagarla de inmediato y acudir a un Centro de asistencia Clarke o al personal calificado.*
- *Si deben sustituirse piezas, solicitar piezas de repuesto ORIGINALES a un concesionario y/o revendedor autorizado.*
- *Para asegurar condiciones de funcionamiento correcto y seguro, el personal autorizado o el Centro de asistencia autorizado debe llevar a cabo el mantenimiento programado según las especificaciones indicadas en el capítulo relacionado de este manual.*
- *Antes de efectuar cualquier operación de mantenimiento/repación, leer cuidadosamente todas las instrucciones relacionadas.*
- *No lavar la máquina con chorros de agua directa o presurizada, o con sustancias corrosivas.*
- *Nunca se debe abandonar la máquina al final del ciclo vital, por la presencia de materiales tóxicos y dañinos (componentes electrónicos, etc.) sujetos a normativas que exigen que se realice la eliminación cerca de centros especiales (véase el capítulo Eliminación).*

## INSTRUCCIONES PARA LA PUESTA A TIERRA 120 VAC

Esta máquina debe tener una conexión de tierra. En caso de avería eléctrica, la conexión de tierra reduce el riesgo de electrochoque al proporcionar un alambre de escape para la corriente eléctrica. La máquina está equipada de un cable de alimentación con un hilo de tierra y un enchufe con puesta a tierra. El enchufe del cable de alimentación se debe conectar a una toma de corriente que se haya instalado y conectado a tierra debidamente, según todos los códigos y estatutos locales.



### ¡ATENCIÓN!

Utilizar la máquina con una extensión para cable de alimentación como sigue:

- longitud mínima 15 pies
- tipo S, ST, SO, STO, o STW
- capacidad mínima 300 V a 140/167°F (60/75°C)



### ¡PELIGRO!

- La conexión incorrecta del enchufe de conexión a tierra puede dar como resultado el que exista un riesgo de electrochoque. Si hay dudas sobre la presencia de puesta a tierra en la toma eléctrica que se debe utilizar, contactar con un electricista calificado. No modificar el enchufe de la máquina. Si el enchufe no entra en la toma de corriente, contactar con un electricista para la instalación de una toma adecuada.
- Esta máquina debe funcionar en un circuito de potencia nominal de 120 V y tiene un enchufe semejante al enchufe indicado en la figura (B, Fig. 1). Un adaptador provisorio (B y C) puede ser usado para conectar este enchufe a un receptáculo de dos polos (B), si no hay disponible una toma de corriente con puesta a tierra (A) pueda ser instalada por un electricista calificado. La orejeta o lengüeta rígida, de color verde, que se extiende del adaptador, debe ser conectada a una toma de tierra permanente tal como la tapa de la caja del receptáculo con toma de tierra. Cuando se usa el adaptador, fijarlo con un tornillo metálico. El adaptador provisorio no está permitido en Canadá.
- Sustituir el enchufe si la patilla de tierra está dañada o rota.
- El hilo Verde (o Verde/Amarillo) del cable es el hilo de tierra. Cuando se sustituye el enchufe, este hilo sólo debe ir conectado a la patilla de tierra.
- Las extensiones conectadas a esta máquina deben ser del calibre 12, trifilares, con tres patillas y tomas de pared adecuadas. NO utilizar extensiones superior a 50 pies (15 m).

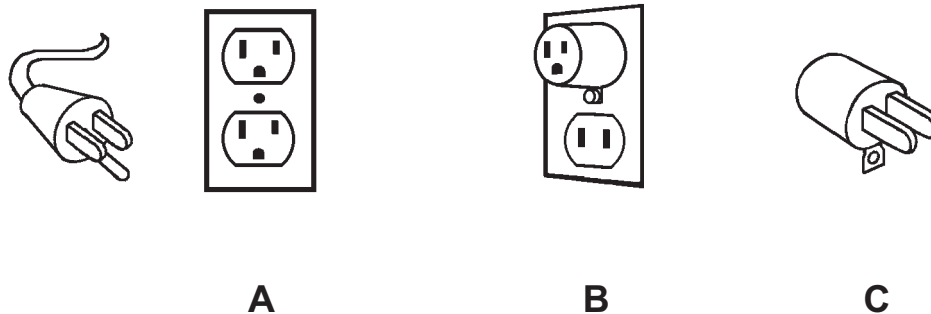


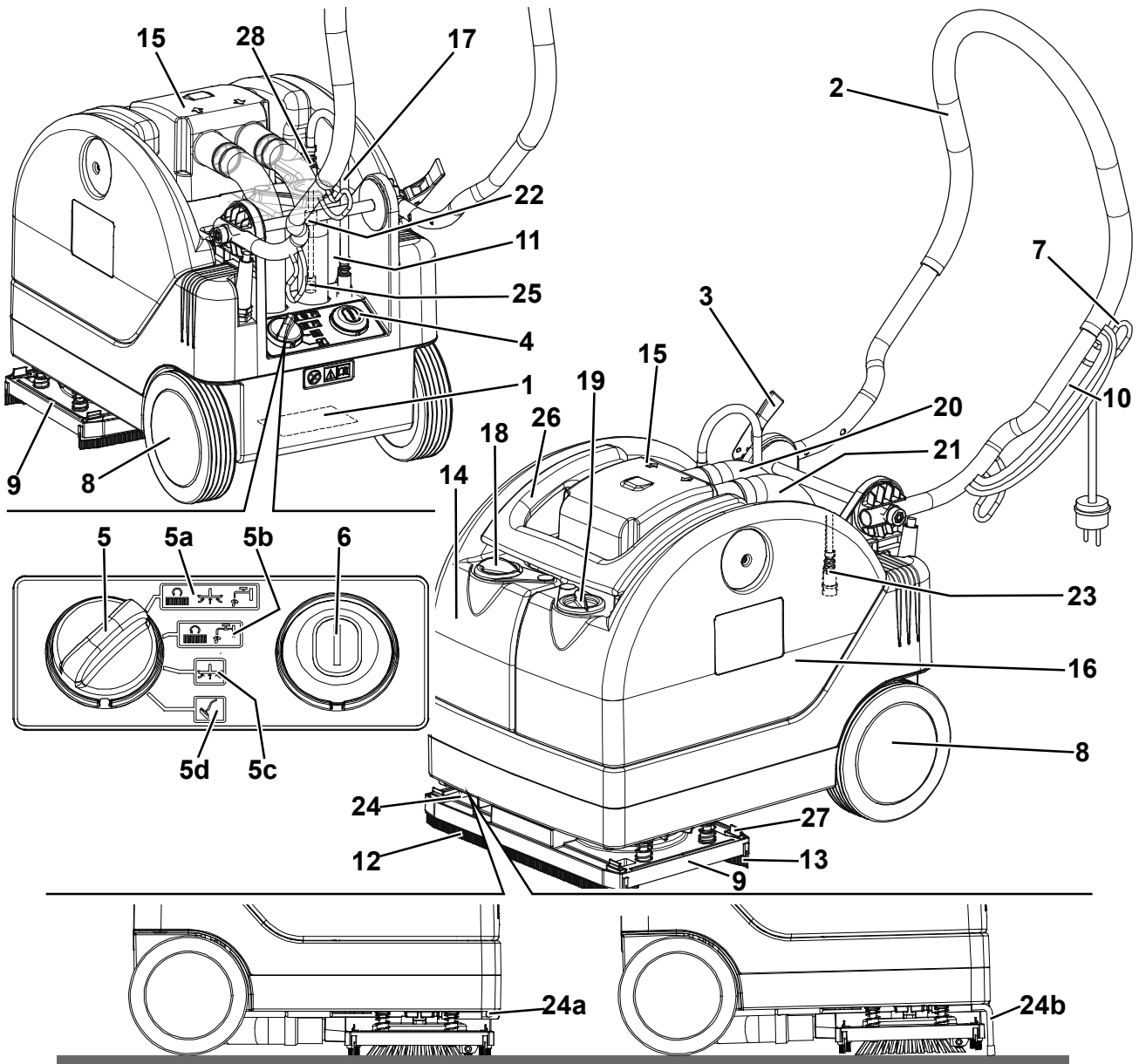
Figura 1

S310183A

## DESCRIPCIÓN DE LA MÁQUINA

### ESTRUCTURA DE LA MÁQUINA

1. Placa número de serie/datos técnicos/marcación de conformidad
2. Manillar
3. Palanca de desbloqueo/bloqueo del ajuste de la inclinación del manillar
4. Panel de control y mandos
5. Perilla de selección del programa
- 5a. Programa: accionamiento cepillos - accionamiento sistema de aspiración - apertura flujo solución detergente
- 5b. Programa: accionamiento cepillos - apertura flujo solución detergente
- 5c. Programa: accionamiento del sistema de aspiración
- 5d. Programa: lavado moqueta y limpiapavimentos (opcional)
6. Interruptor principal
7. Soporte del cable de alimentación
8. Ruedas en eje fijo
9. Cabezal portacepillos y boquillas
10. Cable de alimentación
11. Acoplamiento rápido para tubo de alimentación de la solución detergente a la bomba
12. Boquilla delantera
13. Boquilla trasera
14. Depósito del detergente
15. Tapa transparente con rejilla de aspiración
16. Depósito del agua de recuperación
17. Tubo de la solución detergente
18. Tapón de llenado del depósito de la solución detergente
19. Tapón de descarga del depósito del agua de recuperación
20. Tubo de aspiración del motor del sistema de aspiración
21. Tubo de aspiración de la boquilla
22. Válvula unidireccional
23. Acoplamiento rápido para tubo de alimentación de la solución detergente a los cepillos
24. Palanca de estacionamiento (si presente)
- 24a. Palanca de estacionamiento desactivada
- 24b. Palanca de estacionamiento activada
25. Filtro de la solución detergente
26. Manija de levantamiento de los depósitos
27. Pinzas de fijación de las boquillas
28. Acoplamiento rápido del depósito de la solución detergente



## ACCESORIOS/OPCIONES

Además de los componentes instalados en la versión estándar, la máquina puede equiparse con los siguientes accesorios/ opciones, según la utilización específica:

- Cepillos de diferentes materiales
- Lavado moqueta y limpiapavimentos

Para informaciones suplementarias sobre estos accesorios opcionales, acudir al Revendedor autorizado.

## DATOS TÉCNICOS

Generales	Vantage 13 115 Volt
Largura mínima/máxima de la máquina al manillar	28,1 / 44,1 in (715/1.120 mm)
Anchura de la máquina con boquilla	15,1 in (385 mm)
Anchura de la máquina - cabezal portacepillos	15,1 in (385 mm)
Altitud máxima de la máquina con manillar ajustable	39,7 in (1.010 mm)
Peso total de la máquina	50,7 lbs (23 kg)
Anchura de barrido	12,9 in (330 mm)
Diámetro ruedas centrales en eje fijo	7 in (180 mm)
Diámetro cepillo	6,5 in (165 mm)
Número de cepillos	2 cepillos
Sistema boquilla	Fijo en el cabezal
Anchura de la boquilla recta	15 in (385 mm)
Tipo de cauchos de la boquilla	Delantero - Trasero: PU 65 SH
Presión ruedas sobre el suelo	101 psi (0,7 N/mm <sup>2</sup> )
Presión del cepillo con depósito de la solución detergente lleno/vacío	19,8 / 33 lb (9/15 kg)

Prestaciones	Vantage 13 115 Volt
Aspiración	1,45 psi (0,10 Bar)
Flujo de la solución detergente	0,13 gal/min (0,4 litros/min)
Productividad teórica/real	1.184/ 597 ft <sup>2</sup> /h (990/500 m <sup>2</sup> /h)
Autonomía de la solución detergente	~ 18 min
Velocidad de cepillo	200 rpm
Presión sonora a la oreja del operador (ISO 11201, ISO 4871) (LpA)	72,5 dB(A) ± 3 dB(A)
Potencia sonora de la máquina (ISO 3744, ISO 4871) (LwA)	86 dB(A)
Potencia del motor del sistema de aspiración	0,60 hp (450 W)
Potencia motor cepillo	0,13 hp (100 W)
Inclinación máxima de trabajo	2%
Capacidad depósito del detergente	2,1 gal (8,0 litros)
Capacidad del depósito del agua de recuperación	2,4 gal (9,0 litros)
Nivel de vibraciones transmitidas a los brazos del operador (ISO 5349-1)	< 98,42 in/s <sup>2</sup> (< 2,5 m/s <sup>2</sup> )
Largura del cable de alimentación	590 in (15 m)

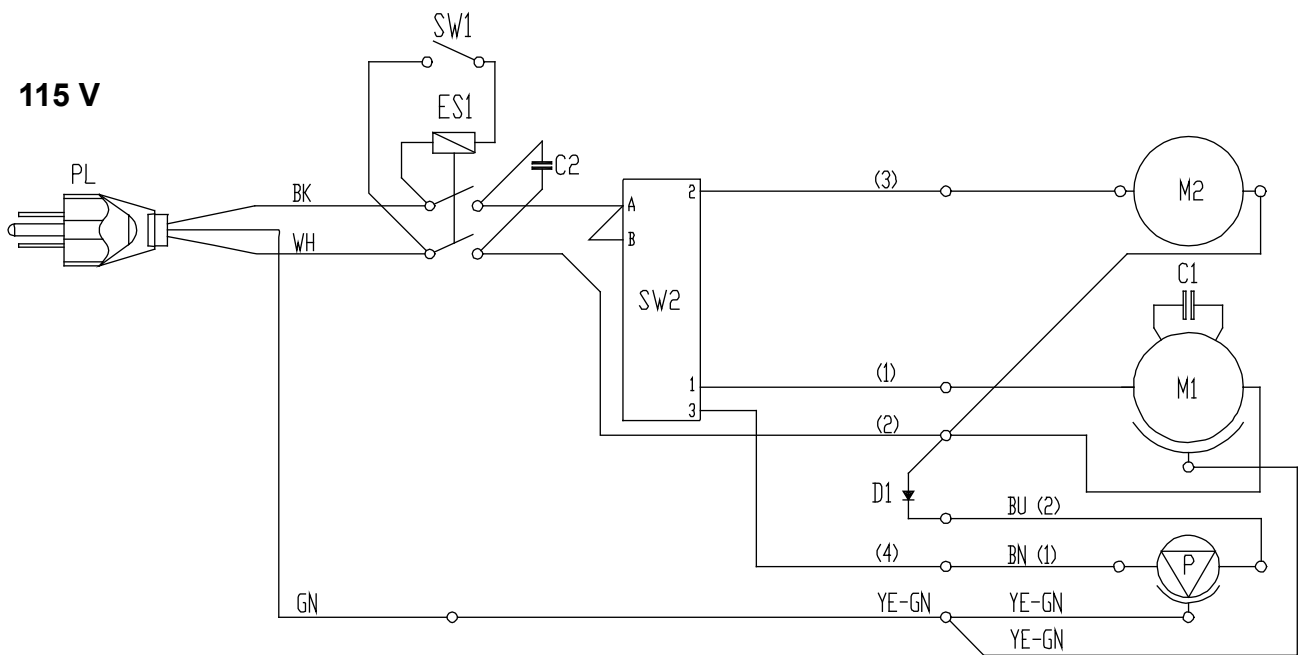
## ESQUEMA ELÉCTRICO

### Leyenda

C1	Condensador del motor de los cepillos
C2	Condensador de filtrado
D1	Diodo para bomba
ES1	Relé (sólo 115 V)
M1	Motor del cepillo
M2	Motor sistema de aspiración
P	Bomba de agua
PL	Enchufe de red
SW1	Interruptor principal
SW2	Perilla de selección del programa

### Códigos colores

BK	Negro
BU	Azul
BN	Marrón
GN	Verde
GY	Gris
OG	Anaranjado
PK	Rosado
RD	Rojo
VT	Morado
WH	Blanco
YE	Amarillo



P100312

## USO



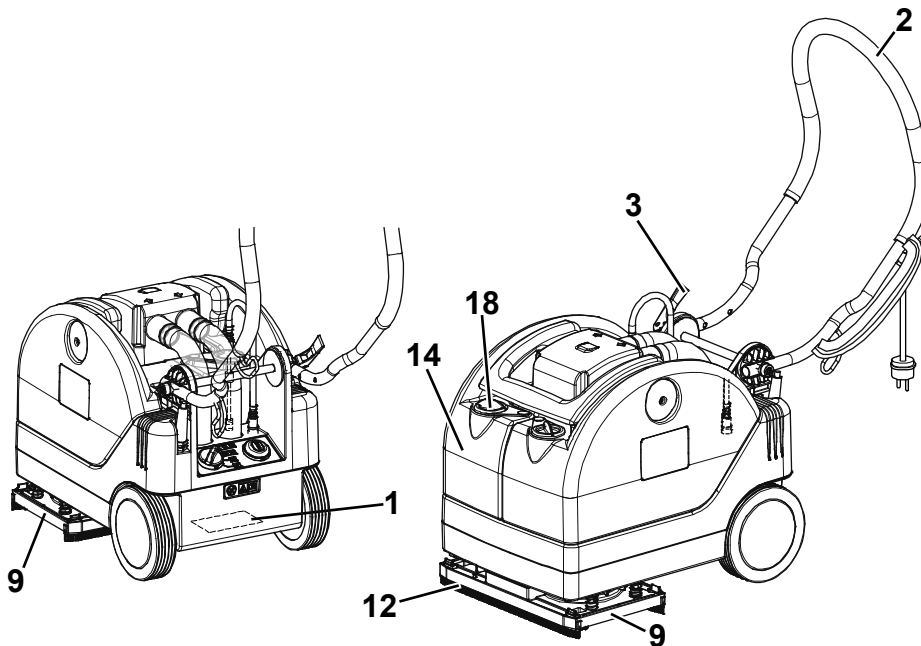
**¡ATENCIÓN!**

*En unas partes de la máquina hay unas placas adhesivas que indican:*

- **PELIGRO**
- **ATENCIÓN**
- **ADVERTENCIA**
- **CONSULTAS**

Leyendo este manual, el operador tiene que aprender el sentido de los símbolos indicados en las placas. Por ninguna razón estas placas deben cubrirse y si están dañadas tienen que sustituirse de inmediato.

### ANTES DE LA PUESTA EN MARCHA DE LA MÁQUINA



P100308

### Instalación del cepillo



NOTA

*La máquina se suministra con los cepillos (A, Fig. 2) ya instalados. Según el tipo de suelo, es posible sustituir los cepillos.*

1. Levantar la máquina presionando sobre el manillar (2).
2. Colocar los cepillos (A, Fig. 2) en los dos cubos del cabezal (9).
3. Bajar la máquina usando el manillar (2).

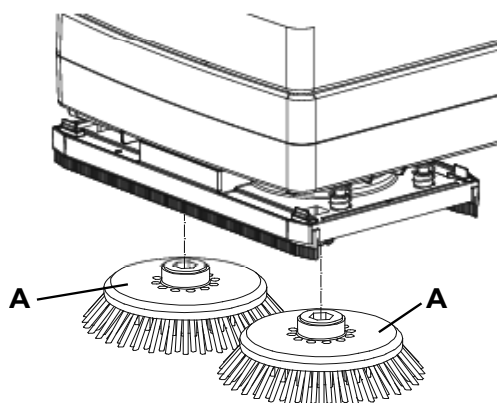


Figura 2

P100313

**Guía para la aplicación de los cepillos (sólo sugerencias)**

Tipos de cepillos disponibles		LITE POLY	POLY
<b>Limpieza general:</b>	Hormigón		
	Suelo terraza		
	Baldosas de cerámica/de cantera		
	Mármol		
	Baldosas de vinilo		
	Baldosas de caucho		

**Llenado del depósito de la solución detergente**

- Usando el tapón de llenado (18) rellenar el depósito (14) con una solución detergente adecuada. No llenar completamente el depósito del detergente, dejar unos centímetros del borde. Seguir las instrucciones indicadas en la etiqueta para la dilución del producto químico utilizado para componer el detergente. La temperatura de la solución detergente no debe superar los 104°F (40°C).



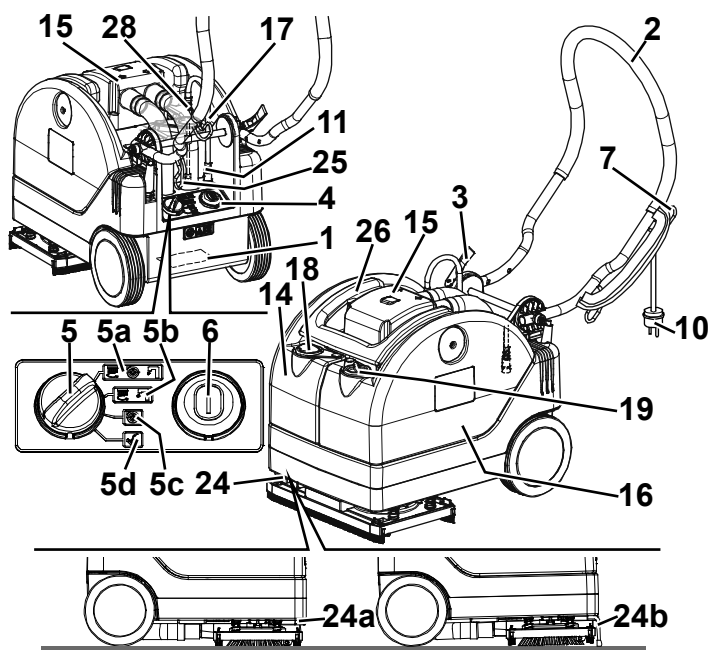
**¡ADVERTENCIA!**

*Usar exclusivamente detergentes líquidos poco espumosos y no inflamables, que sean adecuados para este tipo de máquina.*

**Ajustes**

- Ajustar el manillar (2) con las perillas (3) según la propia comodidad.

## PUESTA EN MARCHA Y PARADA DE LA MÁQUINA



P100309

### Puesta en marcha de la máquina

1. Preparar la máquina como indicado en el párrafo precedente.
2. Colocar la palanca de estacionamiento (24, si presente) en la posición (24a).
3. Llegar al lugar de trabajo empujando la máquina con las manos sobre el manillar (2).
4. Conectar el cable de alimentación (10) a la red eléctrica.



#### ¡ATENCIÓN!

**Antes de conectar el cable de alimentación a la red eléctrica, controlar que la frecuencia y la tensión indicadas en la placa del número de serie de la máquina (1) coincidan con la tensión de la red.**

5. Seleccionar el programa deseado con la perilla (5).
  - (5a) accionamiento cepillos - accionamiento sistema de aspiración - apertura flujo solución detergente
  - (5b) accionamiento cepillos - apertura flujo solución detergente
  - (5c) accionamiento del sistema de aspiración
  - (5d) lavado moqueta y limpiapavimentos (opcional)
6. Poner en marcha la máquina pulsando el interruptor (6).

### Parada de la máquina

7. Apagar la máquina pulsando el interruptor (6).
8. Desconectar el cable de alimentación (10) de la red eléctrica.
9. Levantar el cepillo llevando el dispositivo de estacionamiento (24, si presente) en la posición (24b).

### MÁQUINA EN FUNCIÓN (LAVADO/SECAMIENTO)

1. Poner en marcha la máquina como indicado en el párrafo precedente.
2. Teniendo ambas las manos sobre el manillar (2), maniobrar la máquina y empezar el trabajo de lavado/secamiento del suelo.



#### ¡ADVERTENCIA!

**Para evitar que el suelo se dañe, no usar los cepillos en seco y cuando la máquina se queda parada en un punto, parar la rotación del cepillo seleccionando un programa (5c o 5d), o pulsando el interruptor (6).**



#### ¡ADVERTENCIA!

**Antes de levantar el cepillo, parar su rotación mediante el interruptor (6).**



## TRANSPORTE/ESTACIONAMIENTO DE LA MÁQUINA

Para el transporte/estacionamiento de la máquina, efectuar los procedimientos siguientes.

1. Apagar la máquina pulsando el interruptor (6).
2. Desconectar el cable de alimentación (10) de la red eléctrica y arrollarlo sobre el soporte (7).
3. Empujar la máquina con el manillar (2) y teniendo el cabezal portacepillos/boquillas un poco levantado.
4. Levantar la máquina y llevar la palanca de estacionamiento (24, si presente) en la posición (24b).

## VACIADO DE LOS DEPÓSITOS



### ¡ATENCIÓN!

*Al final del trabajo vaciar el depósito del agua de recuperación (16) para evitar que el agua sobresalga del depósito (por ejemplo durante un desplazamiento imprevisto de la máquina).*

A través de la tapa transparente con rejilla de aspiración (15), controlar si el depósito del agua de recuperación (16) está lleno.



### ¡ADVERTENCIA!

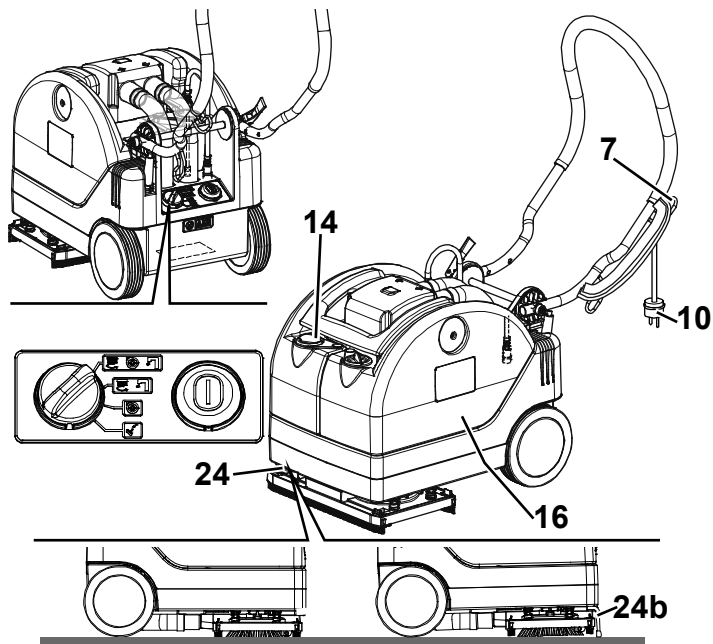
*Si el depósito del agua de recuperación (16) está lleno, el sistema de aspiración expulsa el exceso de líquido a través de los orificios de salida del aire, mojando el suelo.*

Cuando el depósito del agua de recuperación (16) está lleno, vaciarlo según el procedimiento siguiente.

### Vaciado del depósito del agua de recuperación y del depósito del detergente

1. Apagar la máquina pulsando el interruptor (6).
2. Desconectar el cable de alimentación (10) de la red eléctrica y arrollarlo sobre el soporte (7).
3. Llevar la máquina en el área de eliminación designada.
4. Levantar el cabezal portacepillos/boquillas llevando la palanca de estacionamiento en la posición (24b).
5. Quitar con cuidado el acoplamiento rápido (28) del depósito de la solución detergente.
6. Desplazar la tapa transparente (15) y levantar los depósitos con la manija (26).
7. Abrir el tapón de descarga del depósito del agua de recuperación (19) y vaciar el depósito.
8. Si necesario vaciar el depósito de la solución detergente (14) abriendo el tapón (18).  
Al final del trabajo, enjuagar los depósitos y el filtro del tubo de la solución detergente (25) con agua limpia.

## DESPUÉS DE LA UTILIZACIÓN DE LA MÁQUINA



P100310

Al final del trabajo, antes de alejarse de la máquina:

1. Colocar la palanca de estacionamiento (24, si presente) en la posición (24b).
2. Desconectar el cable de alimentación (10) de la red eléctrica y arrollarlo sobre el soporte (7).
3. Vaciar los depósitos (14 y 16) como indicado en el párrafo anterior.
4. Efectuar las operaciones de mantenimiento necesarias después de la utilización de la máquina (véase el capítulo Mantenimiento).
5. Almacenar la máquina en un lugar limpio y seco.

### PERIODO DE LARGA INACTIVIDAD DE LA MÁQUINA

Si se piensa que la máquina no va a ser utilizada durante 30 días o más, efectuar las operaciones siguientes:

1. Llevar a cabo los procedimientos indicados en el párrafo Después del uso de la máquina.
2. Almacenar la máquina en un lugar limpio y seco.

### PRIMER PERIODO DE USO

Después de las primeras 8 horas, controlar que los elementos de fijación y conexión de la máquina estén correctamente instalados. Controlar que las partes visibles no estén dañadas y que no haya pérdidas de líquidos.

## MANTENIMIENTO

Un mantenimiento cuidadoso y continuo garantiza la vida útil y la seguridad de funcionamiento de la máquina. El esquema siguiente resume el mantenimiento programado. Los períodos indicados pueden variar según las condiciones de trabajos, que el encargado del mantenimiento debe establecer.



### ¡ATENCIÓN!

**Las operaciones de mantenimiento deben efectuarse con la máquina apagada y el cable de alimentación desconectado de la red eléctrica.**

**Además, leer cuidadosamente todas las instrucciones del párrafo Seguridad.**

Todas las operaciones de mantenimiento programado o extraordinario deben ser efectuadas por el personal calificado o por un Centro de asistencia autorizado.

En este manual se detallan sólo los procedimientos de mantenimiento más sencillos y frecuentes.



### NOTA

*Para las operaciones de mantenimiento no indicadas en el esquema de mantenimiento programado, véase el relativo Manual de asistencia disponible en los Centros de asistencia.*

## ESQUEMA DE MANTENIMIENTO PROGRAMADO

Procedimiento	Diaria, después de la utilización de la máquina	Semanario	Semestral	Anual
Limpieza de los cepillos				
Limpieza de las boquillas				
Limpieza de los depósitos y de la rejilla de aspiración				
Control y sustitución de los cauchos de las boquillas				
Limpieza del filtro del tubo de la solución detergente				
Control de la torsión de tuercas y tornillos			(1)	
Control y sustitución de las escobillas de carbón del motor del sistema de aspiración				(2)

(1) Y después de las primeras 8 horas de trabajo.

(2) Mantenimiento de competencia de un Centro de asistencia autorizado Clarke.

## LIMPIEZA, CONTROL Y SUSTITUCIÓN DE LAS BOQUILLAS



**NOTA**

*Para un buen secamiento, las boquillas deben estar limpias y con los cauchos en buenas condiciones.*



**¡ADVERTENCIA!**

***Durante estas operaciones se aconseja utilizar guantes de trabajo, porque residuos cortantes podrían estar en las boquillas o en el cabezal portacepillos.***

1. Llevar la máquina sobre un suelo llano.
2. Controlar que el cable de alimentación (10) esté desconectado de la red eléctrica.
3. Para acceder al cabezal portacepillos/boquillas, levantar la máquina usando el manillar (2).
4. Quitar las boquillas del cabezal presionando las pinzas de fijación (27).
5. Controlar el cabezal portacepillos/boquillas (9) y limpiarlo. Limpiar especialmente los huecos (A, Fig. 3) y el orificio de aspiración (B).
6. Lavar y limpiar la boquilla. Limpiar especialmente los huecos (C) y el orificio de aspiración (D).
7. Controlar que los cauchos delantero (E) y trasero (F) estén en buenas condiciones, que no estén cortados o desgarrados; de lo contrario, sustituir la boquilla.
8. Instalar las boquillas.

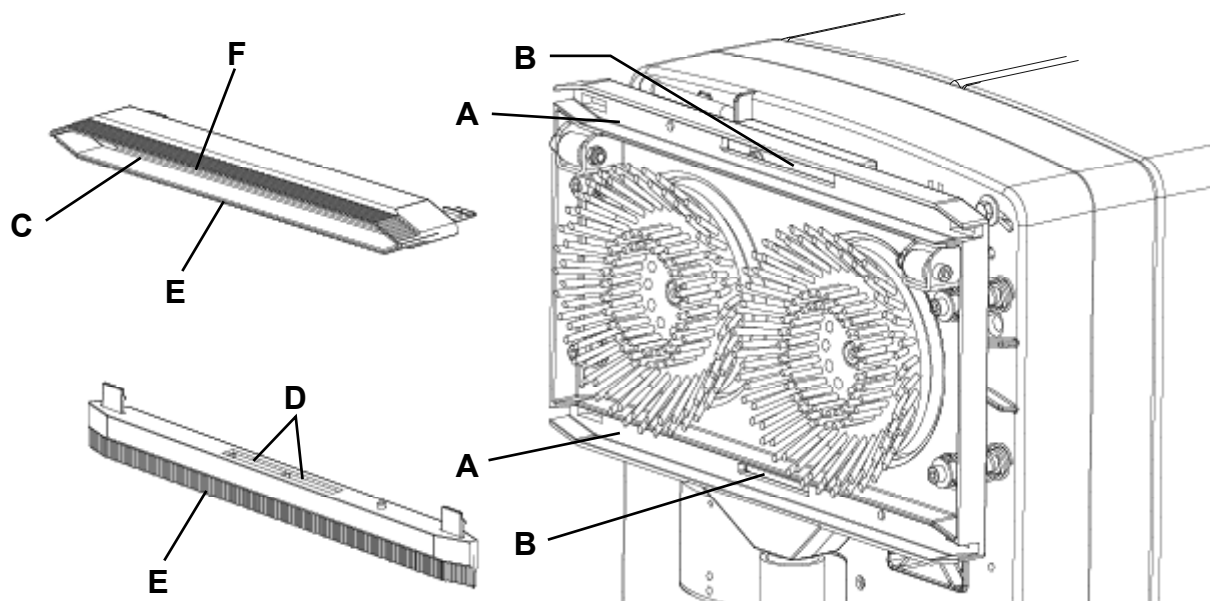


Figura 3

P100314

## LIMPIEZA DE LOS CEPILLOS



**¡ADVERTENCIA!**

***Durante estas operaciones se aconseja utilizar guantes de trabajo, porque residuos cortantes podrían estar en los cepillos.***

1. Quitar el cepillo de la máquina como indicado en el capítulo Uso.
2. Limpiar y lavar los cepillos con agua y detergente.
3. Controlar que las cerdas de los cepillos no estén dañadas o excesivamente desgastadas; de lo contrario, sustituir los cepillos.

## LIMPIEZA DE LA REJILLA DE ASPIRACIÓN, DEL DEPÓSITO DEL DETERGENTE Y DEL DEPÓSITO DEL AGUA DE RECUPERACIÓN

1. Llevar la máquina en el área de eliminación designada.
2. Controlar que el cable de alimentación (10) esté desconectado de la red eléctrica.
3. Levantar la tapa transparente (A, Fig. 4) y limpiarla con cuidado.  
Lavar con cuidado la rejilla de aspiración (B). Si necesario, desconectar los tubos (20 y 21).
4. Controlar que la guarnición (C) de la tapa transparente no esté dañada.



**NOTA**

*La guarnición (C) causa la formación de vacío en el depósito, necesario para la aspiración del agua de recuperación.*

Si necesario, sustituir la guarnición (C), quitándola de su alojamiento (A).

5. Controlar también que toda la superficie periférica (D) de apoyo de la guarnición (C) no esté dañada y que sea adecuada para la estanqueidad de la guarnición misma.
6. Vaciar y limpiar el depósito del agua de recuperación (16) y el depósito del detergente (14) como indicado en el capítulo Uso.
7. Instalar los depósitos y la tapa transparente con rejilla de aspiración.

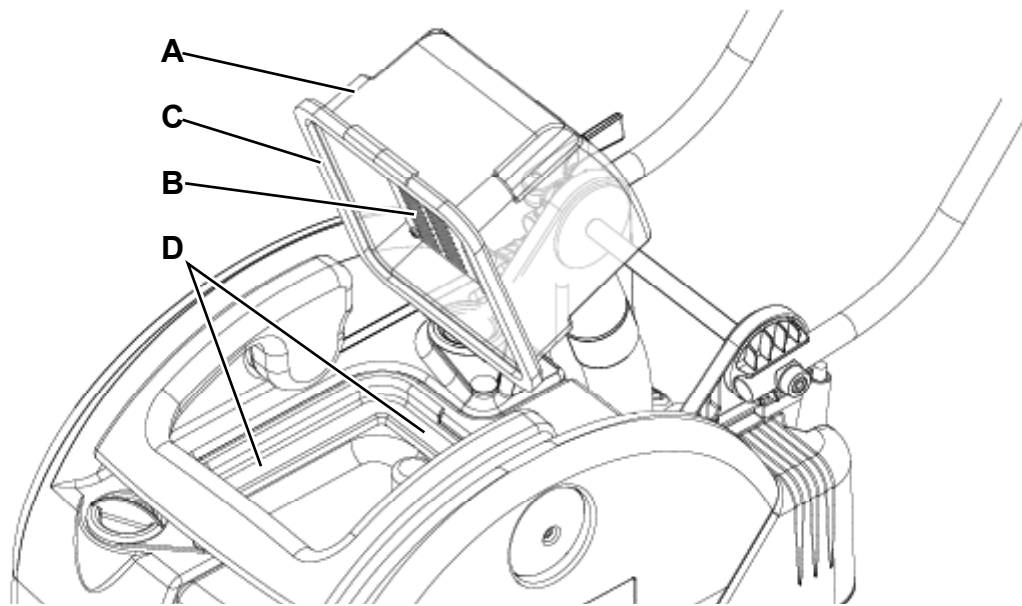


Figura 4

P100315

## LIMPIEZA DEL FILTRO DEL TUBO DE LA SOLUCIÓN DETERGENTE

1. Llevar la máquina sobre un suelo llano.
2. Controlar que el cable de alimentación (10) esté desconectado de la red eléctrica.
3. Quitar el tapón del tubo de la solución detergente (A, Fig. 5), quitar con cuidado el tubo del depósito y limpiar el filtro (B) con agua.  
Si necesario, quitar el filtro y sustituirlo con uno nuevo.
4. Instalar el filtro con el tubo de la solución detergente dentro del depósito, luego instalar el tapón.

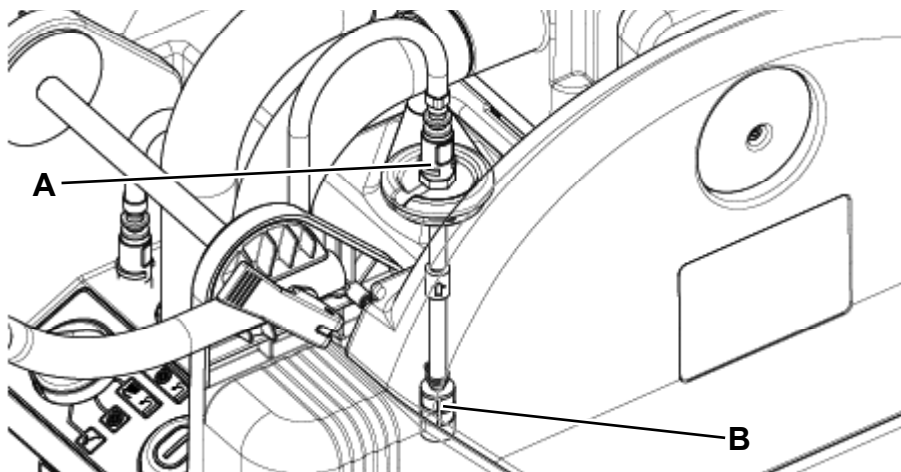


Figura 5

P100316

## BÚSQUEDA AVERÍAS

Problema	Probable causa	Remedio
Los motores no se ponen en marcha.	El cable de alimentación (10) está averiado o desenchufado.	Sustituir el cable o conectarlo.
La aspiración de agua sucia es insuficiente o inexistente.	El depósito del agua de recuperación (16) está lleno.	Vaciar.
	La rejilla de aspiración (15) está obstruida.	Limpiar.
	El tubo de aspiración (21) está desconectado del cabezal (9) o está dañado.	Conectar o sustituir.
	Las boquillas (12 - 13) están sucias o los cauchos de las boquillas están desgastados o dañados.	Limpiar las boquillas o sustituir las.
	La guarnición de la tapa transparente (15) está desgastada.	Controlar y/o limpiar la superficie de apoyo o sustituir la guarnición.
	El motor del sistema de aspiración está dañado.	Sustituir (*).
El flujo de la solución detergente al cepillo es insuficiente.	El filtro de la solución detergente (25) está sucio.	Limpiar.
Los cepillos no giran.	La correa de transmisión está aflojada o desgarrada.	Ajustar o sustituir (*).
	El motor de los cepillos está dañado.	Sustituir (*).
La boquilla causa estriados en el suelo.	Hay residuos bajo de los cauchos de la boquilla (12 - 13).	Quitar los residuos.
	Los cauchos de la boquilla (12 - 13) están desgastados, astillados o desgarrados.	Sustituir los cauchos.

(\*) Mantenimiento de competencia de un Centro de asistencia autorizado Clarke.

Para informaciones suplementarias consultar el Manual de asistencia en los Centros de asistencia Clarke.

## ELIMINACIÓN

Eliminar la máquina en un demolidor calificado.

Antes de eliminar la máquina es necesario quitar y separar los siguientes materiales y eliminarlos según las actuales normas de higiene ambiental:

- Cepillo
- Componentes eléctricos y electrónicos (\*)

(\*) En particular, para la eliminación de los componentes eléctricos y electrónicos, contactar con Clarke.

**LISEZ CE MANUEL**

Il contient des informations importantes pour une utilisation correcte de la machine, en toute sécurité. Lisez-le complètement avant de mettre la machine en marche ou d'effectuer un entretien. A défaut, vous risqueriez de vous blesser ou de blesser d'autres membres du personnel, d'endommager sérieusement la machine ou de provoquer des dégâts dans son environnement. Avant de se servir de la machine, il est indispensable d'avoir reçu une formation. Si vous-même (ou le conducteur) ne parlez pas français, veuillez demander (ou lui fournir) toutes les explications nécessaires. Des versions du manuel existent en d'autres langues. Toutes les indications de direction figurant dans ce manuel sont visualisées depuis la position du conducteur, à l'arrière de la machine. Des manuels supplémentaires peuvent être obtenus auprès de votre revendeur Clarke.

**TABLE DES MATIERES**

<b>INTRODUCTION</b> .....	<b>38</b>
BUT ET CONTENU DU MANUEL .....	38
DESTINATAIRES .....	38
CONSERVATION DU MANUEL .....	38
DONNEES D'IDENTIFICATION .....	38
AUTRES MANUELS DE REFERENCE .....	38
PIECES DE RECHANGE ET ENTRETIEN .....	38
MODIFICATIONS ET AMELIORATIONS .....	38
CAPACITES OPERATIONNELLES .....	39
CONVENTIONS .....	39
<b>DEBALLAGE / LIVRAISON</b> .....	<b>39</b>
<b>SECURITE</b> .....	<b>39</b>
SYMBOLES UTILISES .....	39
INSTRUCTIONS GENERALES .....	39
INSTRUCTIONS DE MISE A LA TERRE 120 V C.A. ....	42
<b>DESCRIPTION DE LA MACHINE</b> .....	<b>43</b>
STRUCTURE DE LA MACHINE .....	43
ACCESSOIRES / OPTIONS .....	44
CARACTERISTIQUES TECHNIQUES .....	44
SCHEMA ELECTRIQUE .....	45
<b>UTILISATION</b> .....	<b>46</b>
AVANT LA MISE EN MARCHÉ .....	46
MISE EN MARCHÉ ET ARRÊT DE LA MACHINE .....	48
MACHINE AU TRAVAIL (LAVAGE / SECHAGE) .....	48
TRANSPORT/STATIONNEMENT DE LA MACHINE .....	49
VIDANGE DES RESERVOIRS .....	49
APRES L'UTILISATION DE LA MACHINE .....	50
INACTIVITE PROLONGEE DE LA MACHINE .....	50
PREMIERE PERIODE D'UTILISATION .....	50
<b>ENTRETIEN</b> .....	<b>51</b>
PLAN D'ENTRETIEN PROGRAMME .....	51
NETTOYAGE, CONTROLE ET REMPLACEMENT DES EMBOUCHURES .....	52
NETTOYAGE DES BROSSES .....	52
NETTOYAGE DE LA GRILLE D'ASPIRATION, DU RESERVOIR DE LA SOLUTION ET DU RESERVOIR DE L'EAU DE RECUPERATION .....	53
NETTOYAGE DU FILTRE DU TUYAU D'IMMERSION DE LA SOLUTION .....	53
<b>MISE A LA FERRAILLE</b> .....	<b>54</b>
<b>PART LIST</b> .....	<b>55</b>

## INTRODUCTION



### REMARQUE

Les nombres entre parenthèses se rapportent aux composants indiqués au chapitre Description de la machine.

Merci pour avoir choisi un produit de la ligne laveuse Clarke.

La laveuse Vantage 13 de la ligne Clarke est une machine performante qui assure un nettoyage de haute qualité des sols.

La machine utilise une double brosse rotative pour nettoyer une bande de 12,9 in (330 mm) de large.

Une embouchure avant et une embouchure arrière essuient le sol et un aspirateur en récupère l'eau de lavage, le tout en une seule passe.

## BUT ET CONTENU DU MANUEL

Ce manuel se propose de fournir à l'opérateur toutes les informations nécessaires afin qu'il puisse utiliser la machine correctement et la gérer de la manière la plus autonome et sûre. Il comprend des informations concernant l'aspect technique, la sécurité, le fonctionnement, l'arrêt de la machine, l'entretien, les pièces de rechange et la mise à la ferraille.

Avant d'effectuer toute opération sur la machine, les opérateurs et les techniciens qualifiés doivent lire attentivement les instructions contenues dans ce manuel. En cas de doutes sur la correcte interprétation des instructions, contacter Clarke pour avoir plus de renseignements.

## DESTINATAIRES

Ce manuel s'adresse à l'opérateur aussi bien qu'aux techniciens préposés à l'entretien de la machine.

Les opérateurs ne doivent pas exécuter les opérations réservées aux techniciens qualifiés. Clarke ne répond pas des dommages dus à l'inobservance de cette interdiction.

## CONSERVATION DU MANUEL

Le Manuel opérateur doit être gardé près de la machine, dans une enveloppe spéciale et, surtout, loin de liquides et de tout ce qui pourrait en compromettre l'état de lisibilité.

## DONNEES D'IDENTIFICATION

Le numéro de série et le modèle de la machine sont indiqués sur la plaque (1).

L'année de fabrication de la machine est indiquée après les deux premières chiffres du numéro de série de la machine.

Ces informations sont nécessaires lors de la commande des pièces de rechange de la machine. Utiliser l'espace suivant pour noter les données d'identification de la machine.

Modèle de la MACHINE .....

Numéro de série de la MACHINE .....

## AUTRES MANUELS DE REFERENCE

- Catalogue des pièces de rechange (livré avec la machine)
- Manuel d'entretien (consultable auprès des Services après-vente Clarke)

## PIECES DE RECHANGE ET ENTRETIEN

Pour toute nécessité concernant l'emploi, l'entretien et la réparation, s'adresser au personnel qualifié ou directement aux Services après-vente Clarke. N'utiliser que des pièces de rechange et accessoires originaux.

Pour l'assistance ou la commande de pièces de rechange et accessoires, contacter Clarke en spécifiant toujours le modèle et le numéro de série.

## MODIFICATIONS ET AMELIORATIONS

Clarke vise à un constant perfectionnement de ses produits et se réserve le droit d'effectuer des modifications et des améliorations, lorsqu'elles sont nécessaires, sans l'obligation de modifier les machines précédemment vendues.

Il est entendu que toute modification et / ou addition d'accessoires doit toujours être approuvée et réalisée par Clarke.



## CAPACITES OPERATIONNELLES

Les laveuses sont conçues et fabriquées pour le nettoyage (lavage et séchage) de sols lisses et solides, en milieux civils et industriels, en conditions de complète sécurité, par un opérateur qualifié.

Les laveuses ne sont pas adaptées pour le lavage de tapis ou moquettes.

## CONVENTIONS

Toutes les références à en avant, en arrière, avant, arrière, droite ou gauche indiquées dans ce manuel doivent être considérées comme référées à l'opérateur en position de conduite, les mains sur le guidon (2).

## DEBALLAGE / LIVRAISON

Pour déballer la machine, suivre attentivement les instructions sur l'emballage.

Lors de la livraison de la machine, contrôler attentivement que l'emballage et la machine n'ont pas été endommagés pendant le transport. Si les dommages sont évidents, garder l'emballage de façon qu'il puisse être examiné par le transporteur qui l'a livré. Contacter immédiatement le transporteur pour remplir une demande de dommages-intérêts.

Contrôler que les composants suivants sont livrés avec la machine :

- Manuel d'utilisation de la laveuse
- Catalogue de pièces de rechange de la laveuse

## SECURITE

On utilise les symboles suivants pour signaler les conditions de danger potentielles. Lire attentivement ces informations et prendre les précautions nécessaires pour protéger les personnes et les choses.

Pour éviter tout accident la collaboration de l'opérateur est essentielle. Aucun programme de prévention des accidents du travail ne peut résulter efficace sans la totale collaboration de la personne directement responsable du fonctionnement de la machine. La plupart des accidents qui peuvent survenir dans une entreprise, pendant le travail ou les déplacements, sont dus à l'inobservance des plus simples règles de prudence. Un opérateur attentif et prudent est la meilleure garantie contre les accidents du travail et se révèle indispensable pour compléter n'importe quel programme de prévention.

## SYMBOLES UTILISES



### DANGER !

*Indique un danger qui comporte des risques, ou même la mort, pour l'opérateur.*



### ATTENTION !

*Indique une situation exposant les personnes au risque de blessures.*



### AVERTISSEMENT !

*Indique un avertissement ou une remarque sur des fonctions clé ou utiles. Prêter la plus grande attention aux segments de texte marqués par ce symbole.*



### REMARQUE

*Indique une remarque sur des fonctions clé ou utiles.*



### CONSULTATION

*Indique la nécessité de consulter le Manuel d'utilisation avant toute opération.*

## INSTRUCTIONS GENERALES

Les avertissements et précautions spécifiques suivants informent sur les potentiels dangers de dommages matériels ou blessures.



### DANGER !

- **Avant d'effectuer toute opération de nettoyage, d'entretien et de remplacement des composants, débrancher la fiche de la prise.**
- **Cette machine doit être utilisée uniquement par le personnel adéquatement formé. L'utilisation de la machine est interdite aux enfants et aux personnes handicapées.**
- **Ne pas porter de bijoux quand on travaille près des composants électriques.**
- **Ne pas travailler sous la machine soulevée, sans des supports fixes de sécurité convenables.**
- **Ne pas opérer avec cette machine en présence de poudres, liquides ou vapeurs nuisibles, dangereux, inflammables et / ou explosifs : la machine ne doit pas être utilisée pour ramasser des matériaux dangereux.**

**ATTENTION !**

- *Avant d'utiliser la machine, fermer tous les couvercles et / ou portillons.*
- *La machine est livrée avec un câble d'alimentation équipé d'un câble de mise à la terre et d'une fiche avec mise à la terre. En cas de panne ou de bloc électrique, la mise à la terre évite toute risque de choc électrique.*
- *La fiche doit être branchée sur une prise électrique de terre appropriée et conforme aux normes en vigueur.*
- *Le branchement non correct comporte le risque de choc électrique. Demander l'intervention d'un technicien qualifié en cas de doutes concernant la prise électrique de terre à utiliser.*
- *Ne pas modifier la fiche de la machine. Si la fiche ne peut pas être branchée sur la prise électrique, demander l'intervention d'un technicien qualifié pour installer une prise électrique de terre appropriée et conforme aux normes en vigueur. (Code local)*
- *Avant de brancher le câble d'alimentation au réseau électrique, s'assurer que la fréquence et la tension indiquées sur la plaque avec numéro de série (1) coïncident avec la tension du réseau.*
- *Ne pas utiliser le câble d'alimentation pour débrancher la machine de la prise de courant. Pour débrancher la machine, saisir la fiche et non le câble.*
- *Ne pas toucher la prise de courant ou la machine avec les mains mouillées.*
- *Eteindre toutes les commandes avant de débrancher la machine de la prise de courant.*
- *Vérifier régulièrement que le câble d'alimentation n'est pas endommagé, craqué ou usé. En cas de dommages, remplacer le câble avant toute utilisation.*
- *Si le câble d'alimentation est endommagé, il doit être remplacé par le Service après-vente Clarke.*
- *Ne pas utiliser le câble d'alimentation pour tirer ou transporter la machine et ne pas utiliser le câble comme poignée. Ne pas fermer de porte sur le câble d'alimentation, ne pas tirer le câble sur des surfaces ou coins tranchants. Ne pas faire passer la machine sur le câble d'alimentation.*
- *Ne pas permettre que les brosses en rotation entrent en contact avec le câble d'alimentation.*
- *Tenir le câble d'alimentation éloigné des surfaces chaudes.*
- *Pour réduire le risque d'incendie, chocs électriques ou blessures, ne pas laisser la machine sans surveillance lorsqu'elle est branchée au réseau électrique. Débrancher la machine du réseau électrique lorsqu'on n'utilise pas la machine et avant d'effectuer toute opération d'entretien.*
- *Avant de laisser la machine sans surveillance, veiller à ce que celle-ci ne puisse pas bouger de façon autonome.*
- *Protéger toujours la machine du soleil, de la pluie et d'autres intempéries, pendant le fonctionnement et en état d'arrêt. Garder la machine dans un endroit couvert et sec : elle a été conçue pour l'utilisation à sec, par conséquent elle ne doit pas être utilisée ou gardée dehors, dans des conditions d'humidité.*
- *Ne pas laisser que la machine est utilisée comme jouet. Faire attention lorsque la machine est utilisée à proximité des enfants.*
- *Ne pas utiliser à des fins autres que celles prévues dans ce manuel. Utiliser seulement les accessoires recommandés par Clarke.*
- *Prendre les précautions convenables afin que les cheveux, les bijoux, les parties non adhérentes des vêtements ne soient pas capturés par les parties en mouvement de la machine.*
- *Avant de laisser la machine sans surveillance, veiller à ce qu'elle ne puisse pas bouger de façon autonome.*
- *Ne pas utiliser la machine sur des surfaces ayant une pente supérieure à la valeur indiquée sur la machine même.*
- *Ne pas utiliser la machine dans des endroits très poussiéreux.*
- *Pendant l'utilisation de la machine, faire attention à sauvegarder l'intégrité des autres personnes.*
- *Ne pas heurter les meubles, les étagères ou les échafaudages, en particulier en cas de danger de chute d'objets.*
- *Ne pas poser de conteneurs de liquides sur la machine.*
- *La température de travail de la machine doit être comprise entre 0°C et +40°C.*
- *La température de stockage de la machine doit être comprise entre 32°F et 104°F (entre 0°C et +40°C).*
- *L'humidité doit être comprise entre 30% et 95%.*

**ATTENTION !**

- *Ne pas utiliser la machine comme moyen de transport.*
- *Ne pas faire travailler la brosse lorsque la machine est arrêtée pour ne pas endommager le sol.*
- *En cas d'incendie, il est préférable d'utiliser un extincteur à poudre, plutôt qu'un extincteur à eau.*
- *Ne pas altérer pour aucune raison les protections prévues pour la machine, respecter scrupuleusement les instructions prévues pour l'entretien ordinaire.*
- *Ne pas laisser entrer d'objets dans les ouvertures. Ne pas utiliser la machine si les ouvertures sont obstruées. Garder les ouvertures de la machine libres de poussière, filasse, poils et tout autre corps étranger à même de réduire le flux d'air.*
- *Ne pas enlever ou altérer les plaques installées sur la machine.*
- *La machine n'est pas approuvée pour l'utilisation sur la voie publique.*
- *Faire attention pendant les déplacements de la machine en conditions de températures inférieures au point de congélation. L'eau présente dans le réservoir d'eau de récupération ou dans les tuyaux pourrait se congeler et endommager sérieusement la machine.*
- *Utilisez exclusivement les brosses livrées avec la machine et spécifiées dans les Manuel d'utilisation. L'utilisation de balais différents peut compromettre la sécurité.*
- *S'assurer que les éventuelles anomalies de fonctionnement de la machine ne dépendent pas du manque d'entretien. En cas contraire demander l'intervention de personnel autorisé ou d'un Service après-vente agréé.*
- *Si la machine*
  - *ne fonctionne pas correctement*
  - *est endommagée*
  - *présente des pertes anormales de mousse ou d'eau*
  - *est restée dans un endroit ouvert, exposée aux intempéries*
  - *est mouillée ou est tombée dans l'eau**l'arrêter immédiatement et contacter un Service après-vente Clarke ou demander l'intervention du personnel qualifié.*
- *En cas de remplacement de pièces, demander les pièces de rechange D'ORIGINE à un concessionnaire ou revendeur agréé.*
- *Afin de garantir la sécurité et le bon fonctionnement de la machine, faire effectuer les opérations d'entretien prévues au chapitre spécifique de ce manuel par du personnel autorisé ou par un Service après-vente agréé.*
- *Avant d'effectuer toute opération d'entretien / réparation, lire attentivement toutes les instructions qui concernent l'entretien / réparation.*
- *Ne pas laver la machine avec des jets d'eau directs ou sous pression ou avec des substances corrosives.*
- *Lors de la mise à la ferraille, la machine ne doit pas être abandonnée par la présence de matériaux toxiques (composants électroniques, etc.), sujets à des lois qui prévoient l'élimination auprès de centres spéciaux (voir le chapitre Mise à la ferraille).*

## INSTRUCTIONS DE MISE A LA TERRE 120 V C.A.

Cet appareil doit être branché à la terre. En cas de panne électrique, la mise à la terre fournit au courant un chemin de moindre résistance qui réduit le risque de choc électrique. Cet appareil est pourvu d'un cordon muni d'un conducteur de terre et d'une fiche avec broche de mise à la terre. La fiche doit être branchée à une prise électrique de terre correctement installée, appropriée et conforme aux normes et aux lois en vigueur.



### ATTENTION !

*La machine doit être utilisée avec une rallonge de câble d'alimentation de :*

- *longueur minimum de 15 ft (4,5 m)*
- *type S ou ST ou SO ou STO ou STW*
- *valeur minimum 300 V 140 / 167°F (60 / 75°C)*



### DANGER !

- *Le branchement non correct comporte le risque de choc électrique. Demander l'intervention d'un électricien ou d'un technicien qualifié en cas de doutes concernant le branchement de la prise électrique de terre. Ne pas modifier la fiche livrée avec la machine. Si la fiche ne peut pas être branchée à la prise électrique, demander l'intervention d'un électricien qualifié pour installer une prise électrique de terre appropriée.*
- *Cet appareil est destiné à un circuit de 120 V et est muni d'une fiche avec mise à la terre est semblable à la fiche (B, Fig. 1). Un adaptateur temporaire (B et C) peut être utilisé pour brancher la fiche à une prise bipolaire (B), si une prise électrique de terre n'est pas disponible. L'adaptateur temporaire doit être utilisé seulement si une prise électrique de terre (A) est installée par un électricien qualifié. L'oreille rigide, le crochet ou tout autre dispositif semblable de couleur vert prolongeant l'adaptateur doit être branché à un élément correctement mis à la terre, comme le couvercle d'une boîte de sortie mise à la terre. L'adaptateur doit toujours être fixé par une vis métallique. Au Canada, l'utilisation d'un adaptateur temporaire n'est pas autorisée.*
- *Remplacer la fiche si la broche de mise à la terre est endommagée.*
- *Le fil vert (ou vert / jaune) dans le cordon est le fil de mise à la terre. En cas de remplacement de la fiche, le fil doit être branché seulement à la broche de mise à la terre.*
- *Les rallonges branchées à la machine doivent être de 12 gauge (2.053 mm), le cordon doit être à trois fils, les fiches et les prises à trois broches. NE PAS utiliser de rallonges avec une longueur supérieure à 50 feet (15 m).*

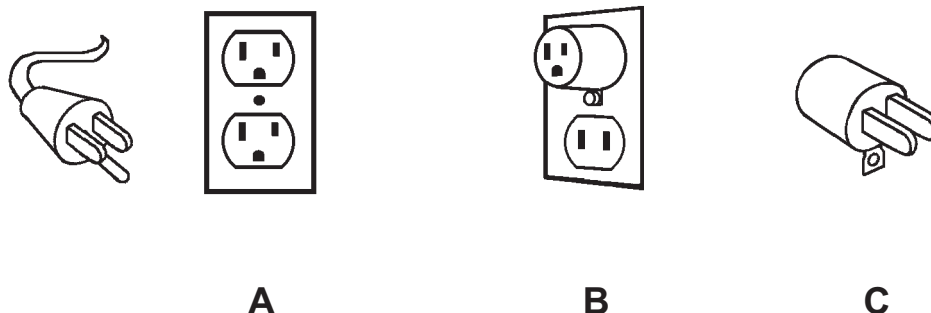


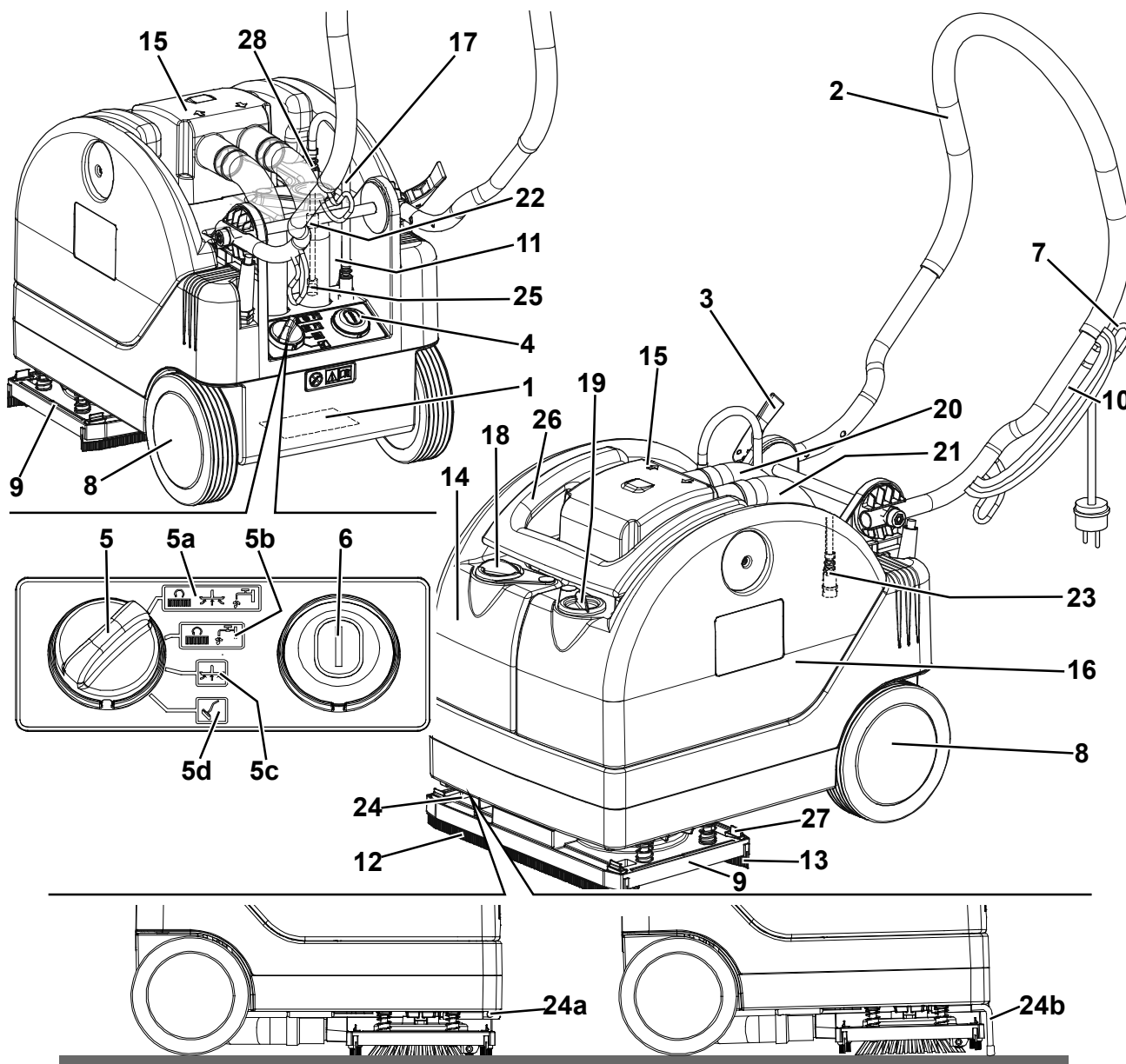
Figure 1

S310183A

## DESCRIPTION DE LA MACHINE

### STRUCTURE DE LA MACHINE

1. Plaque avec numéro de série / données techniques / marque de conformité
2. Guidon
3. Levier de déblocage / blocage réglage inclinaison guidon
4. Tableau de bord
5. Poignée de sélection programme
- 5a. Programme : actionnement brosses - mise en marche système d'aspiration - ouverture flux de solution
- 5b. Programme : actionnement brosses - ouverture flux de solution
- 5c. Programme : démarrage système d'aspiration
- 5d. Programme : lavage de moquette et embouchure (en option)
6. Interrupteur principal
7. Support câble d'alimentation
8. Roues sur essie fixe
9. Tête porte-brosses et embouchures
10. Câble d'alimentation
11. Prise rapide tube d'alimentation solution à la pompe
12. Embouchure avant
13. Embouchure arrière
14. Réservoir solution
15. Couvercle transparent et grille d'aspiration
16. Réservoir eau de récupération
17. Tube d'immersion solution
18. Bouchon de remplissage réservoir solution
19. Bouchon de vidange réservoir eau de récupération
20. Tuyau d'aspiration moteur système d'aspiration
21. Tuyau d'aspiration embouchure
22. Clapet de non retour
23. Prise rapide tuyau d'alimentation solution aux brosses
24. Levier de stationnement (si équipé)
- 24a. Levier de stationnement desserré
- 24b. Levier de stationnement serré
25. Filtre solution
26. Poignée de soulèvement réservoirs
27. Pincet d'accrochage embouchures à la tête
28. Prise rapide réservoir solution



## ACCESSOIRES / OPTIONS

Outre les composants présents dans le modèle standard, la machine peut être équipée des accessoires optionnels suivants, selon l'emploi spécifique de la machine.

- Brosses de matériaux différents
- Lavage de moquette et embouchure

Pour de plus amples informations relatives aux accessoires optionnels susmentionnés, s'adresser au revendeur agréé.

## CARACTERISTIQUES TECHNIQUES

Caractéristiques générales	Vantage 13 115 V
Longueur minimum / maximum machine à guidon	28,1 / 44,1 in (715 / 1.120 mm)
Largeur machine avec embouchure	15,1 in (385 mm)
Largeur machine - tête porte-brosses	15,1 in (385 mm)
Hauteur maximum machine avec guidon réglable	39,7 in (1.010 mm)
Poids total machine	50,7 lbs (23 Kg)
Largeur de nettoyage	12,9 in (330 mm)
Diamètre roues centrales sur essieu fixe	7 in (180 mm)
Diamètre brosse	6,5 in (165 mm)
Nombre de brosses	N° 2 brosses
Système embouchure	Fixe sur la tête
Largeur embouchure droite	15 in (385 mm)
Type de lamelles en caoutchouc embouchure	Avant - arrière : PU 65 SH
Pression des roues au sol	101 psi (0,7 N/mm <sup>2</sup> )
Pression brosse au sol avec réservoir solution vide / plein	19,8 / 33 lbs (9 / 15 Kg)
Performances	Vantage 13 115 V
Aspiration	1,45 psi (0,10 bars)
Flux de solution	0,13 gal/min (0,4 L/min)
Productivité théorique / réelle	1,184 / 597 ft <sup>2</sup> /h (990 / 500 m <sup>2</sup> /h)
Autonomie solution	~ 18 min
Vitesse brosse	200 tr/min
Pression acoustique à l'oreille de l'opérateur (ISO 11201, ISO 4871) (LpA)	72,5 dB(A) ± 3dB(A)
Puissance acoustique émise par la machine (ISO 3744, ISO 4871) (LwA)	86 dB(A)
Puissance moteur système d'aspiration	0,60 hp (450 W)
Puissance moteur brosse	0,13 hp (100 W)
Pente maximum de travail	2%
Contenance réservoir de solution	2,1 gal (8,0 litres)
Capacité réservoir eau de récupération	2,4 gal (9,0 litres)
Niveau de vibrations au bras de l'opérateur (ISO 5349-1)	< 98,42 in/s <sup>2</sup> (< 2,5 m/s <sup>2</sup> )
Longueur câble de secteur	590 in (15 m)

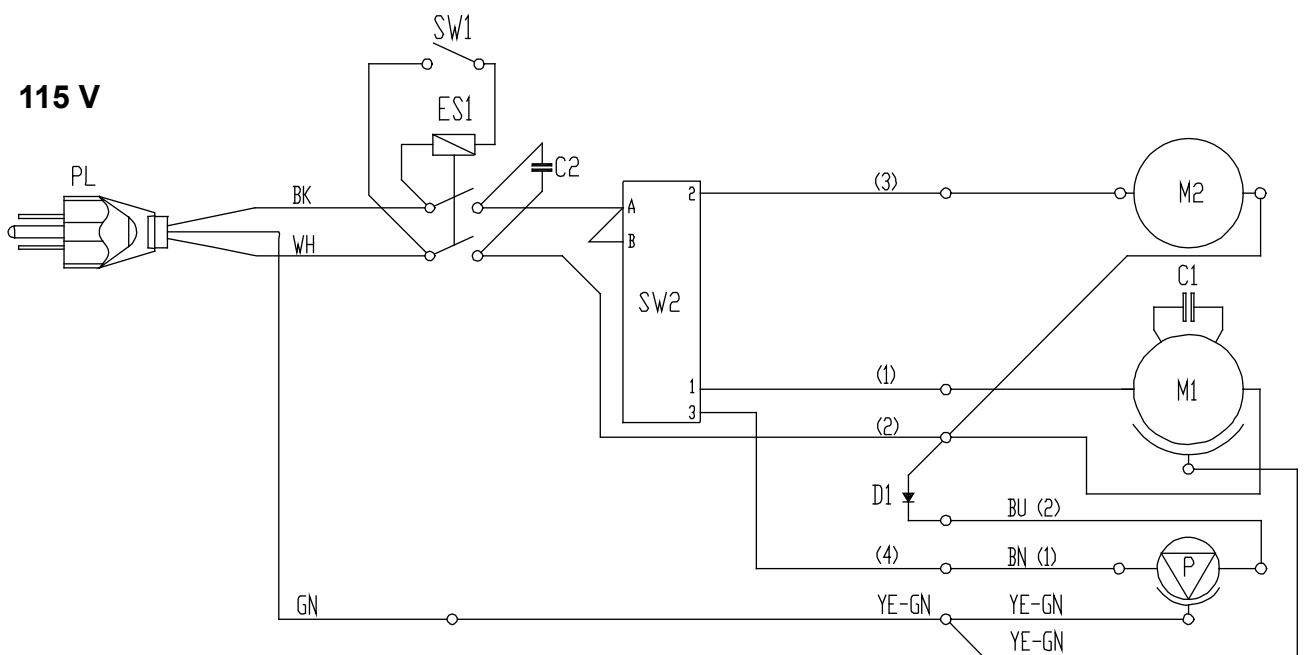
## SCHEMA ELECTRIQUE

## Légende

C1	Condensateur moteur brosse
C2	Condensateur de filtrage
D1	Diode pour pompe
ES1	Relais (seulement 115 V)
M1	Moteur brosse
M2	Moteur système d'aspiration
P	Pompe à eau
PL	Fiche
SW1	Interrupteur principal
SW2	Poignée de sélection programme

## Codes des couleurs

BK	Noir
BU	Bleu clair
BN	Marron
GN	Vert
GY	Gris
OG	Orange
PK	Rose
RD	Rouge
VT	Violet
WH	Blanc
YE	Jaune



P100312

## UTILISATION



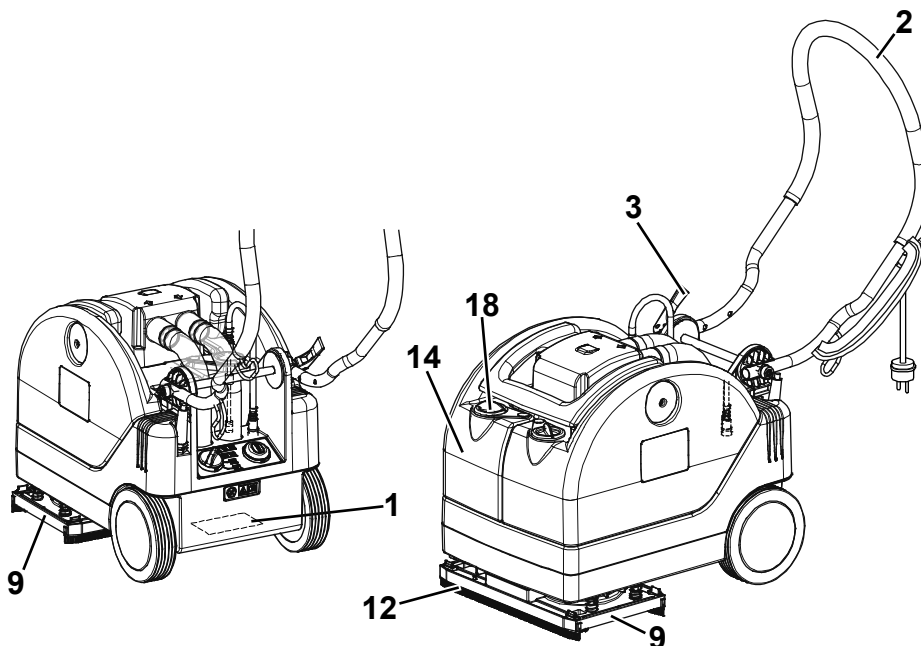
### ATTENTION !

Des plaques adhésives appliquées sur certains points de la machine indiquent :

- DANGER
- ATTENTION
- AVERTISSEMENT
- CONSULTATION

Lors de la lecture de ce manuel, l'opérateur doit bien comprendre le sens des symboles illustrés sur les plaques. Ne pas couvrir les plaques et les remplacer immédiatement en cas d'endommagement.

### AVANT LA MISE EN MARCHÉ



P100308

### Installation de la brosse



#### REMARQUE

La machine est livrée avec une paire de brosses mises en place (A, Fig. 2). Selon le type de sol à nettoyer, il est possible de choisir le type de brosse à utiliser.

1. Soulever la machine en faisant levier sur le guidon (2).
2. Introduire les brosses (A, Fig. 2) dans les 2 moyeux de la tête (9).
3. Baisser la machine au moyen du guidon (2).

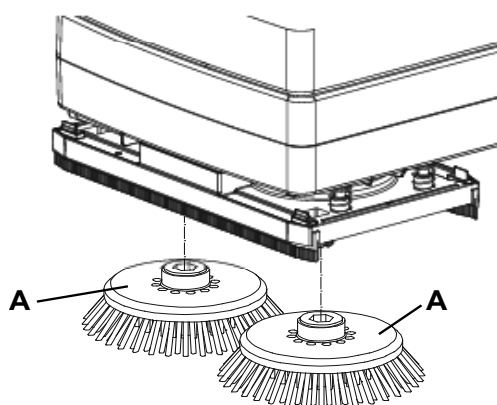


Figure 2

P100313



### Suggestions pour le choix des brosses

Types de brosses disponibles		LITE POLY	POLY
Nettoyage général :	Béton		
	Plancher terrasse		
	Carreaux de céramique / de carrière		
	Marbre		
	Carreaux de vinyle		
	Carreaux de caoutchouc		

### Remplissage du réservoir de solution

4. Au moyen du bouchon de remplissage (18), remplir le réservoir (14) avec une solution adéquate au travail à effectuer. Ne jamais remplir complètement le réservoir de solution, mais laisser toujours quelques centimètres du bord. Suivre toujours les instructions de dilution sur l'étiquette du conteneur du produit chimique utilisé pour la solution. La température de la solution ne doit jamais être supérieure à 104°F (40°C).



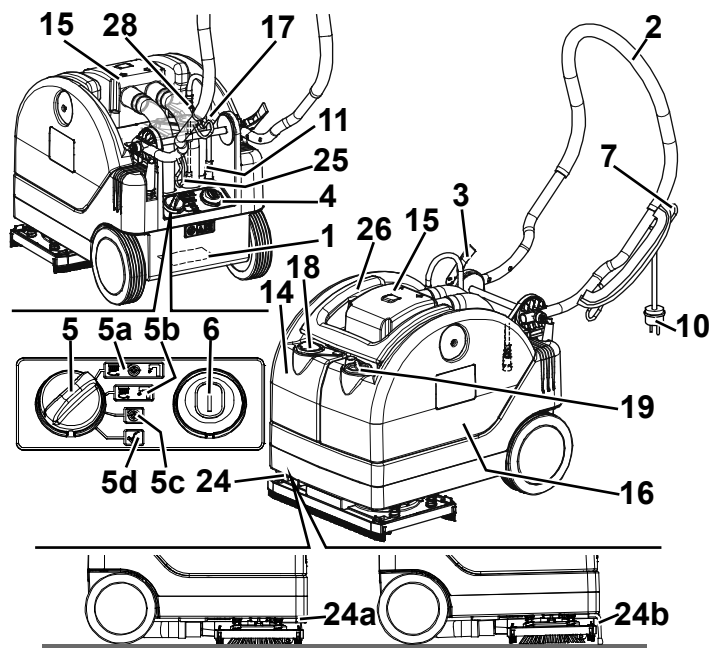
#### **AVERTISSEMENT !**

*Utiliser exclusivement des détergents liquides peu mousseux et non inflammables, adéquats pour les machines utilisées.*

### Réglages

5. Régler le guidon (2) au moyen des poignées (3) selon son propre confort.

## MISE EN MARCHÉ ET ARRÉT DE LA MACHINE



P100309

**Mise en marche de la machine**

1. Préparer la machine comme indiqué au paragraphe précédent.
2. Desserrer le levier de stationnement (24, si équipé) en position (24a).
3. Se porter sur le lieu de travail en poussant la machine les mains sur le guidon (2).
4. Brancher le câble d'alimentation (10) au réseau électrique.

**ATTENTION !**

*Avant de brancher le câble d'alimentation au réseau électrique, s'assurer que la fréquence et la tension indiquées sur la plaque avec numéro de série (1) coïncident avec la tension du réseau.*

5. Placer la poignée (5) sur le programme voulu.
  - (5a) actionnement brosses - mise en marche système d'aspiration - ouverture flux de solution
  - (5b) actionnement brosses - ouverture flux de solution
  - (5c) démarrage système d'aspiration
  - (5d) lavage de moquette et brosse à embouchure (en option)
6. Démarrer la machine en appuyant sur l'interrupteur (6) et procéder au nettoyage.

**Arrêt de la machine**

7. Arrêter la machine en appuyant sur l'interrupteur (6).
8. Débrancher le câble d'alimentation (10) du réseau électrique.
9. Soulever la brosse en plaçant le dispositif de stationnement (24, si équipé) en position (24b).

**MACHINE AU TRAVAIL (LAVAGE / SECHAGE)**

1. Démarrer la machine comme indiqué au paragraphe précédent.
2. Tout en gardant les deux mains sur le guidon (2), déplacer la machine et commencer le travail de lavage / séchage du sol.

**AVERTISSEMENT !**

*Afin d'éviter d'endommager la surface du sol à nettoyer, ne pas utiliser la brosse à sec et, lorsque la machine est au repos, arrêter la rotation de la brosse en sélectionnant un programme (5c ou 5d) ou en appuyant sur l'interrupteur (6).*

**AVERTISSEMENT !**

*Avant de soulever la brosse, en arrêter la rotation au moyen de l'interrupteur (6).*

## TRANSPORT/STATIONNEMENT DE LA MACHINE

Pour le transport/stationnement de la machine, procéder comme suit.

1. Arrêter la machine en appuyant sur l'interrupteur (6).
2. Débrancher le câble d'alimentation (10) du réseau électrique et l'enrouler autour du logement (7).
3. Pousser la machine avec le guidon (2) en soulevant légèrement la tête porte-brosses / embouchures.
4. Soulever la machine et amener le levier de stationnement (24, si équipé) en position (24b).

## VIDANGE DES RESERVOIRS



### ATTENTION !

*A la fin de chaque cycle de travail, vider le réservoir de l'eau de récupération (16) pour éviter toute sortie de l'eau du réservoir (par exemple, pendant un déplacement soudain de la machine).*

A travers le couvercle transparente à grille d'aspiration (15), contrôler visuellement si le réservoir de l'eau de récupération (16) est plein.



### AVERTISSEMENT !

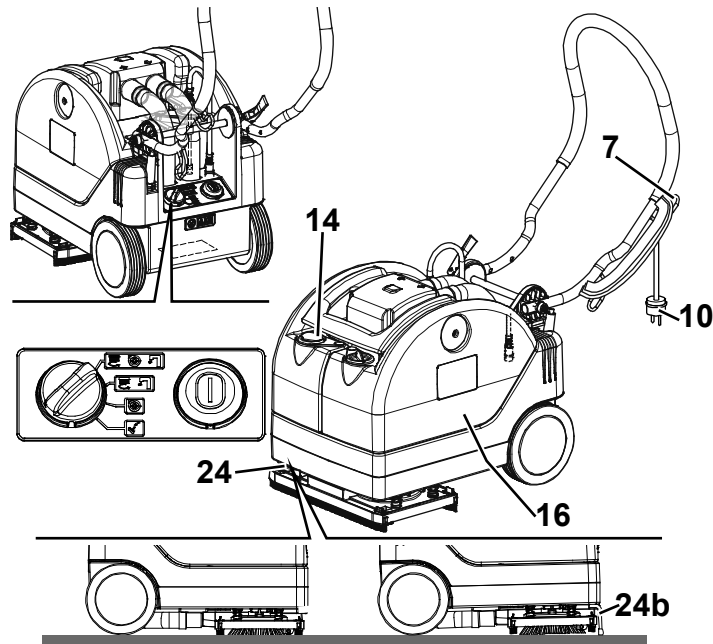
*Si l'on ne vide pas le réservoir de l'eau de récupération (16) quand il est plein, le système d'aspiration rejette le liquide en excès par les fentes de sortie d'air, en mouillant le sol.*

Lorsque le réservoir de l'eau de récupération (16) est plein, le vider en procédant comme suit.

### Vidange du réservoir de l'eau de récupération et du réservoir de la solution

1. Arrêter la machine en appuyant sur l'interrupteur (6).
  2. Débrancher le câble d'alimentation (10) du réseau électrique et l'enrouler autour du logement (7).
  3. Pousser la machine dans la zone destinée à l'écoulement.
  4. Soulever la tête porte-brosses / embouchures en amenant le levier de stationnement en position (24b).
  5. Retirer avec précaution le raccord rapide (28) du réservoir de la solution.
  6. Déplacer le couvercle transparent (15) et soulever les réservoirs au moyen de la poignée (26).
  7. Ouvrir le bouchon de vidange du réservoir de l'eau de récupération (19) et vider le réservoir.
  8. Si besoin est, vider le réservoir de solution (14) en ouvrant le bouchon (18).
- Le travail effectué, rincer les réservoirs et le filtre du tube d'immersion (25) à l'eau propre.

## APRES L'UTILISATION DE LA MACHINE



P100310

Le travail effectué, avant de laisser la machine :

1. Amener le levier de stationnement (24, si équipé) en position (24a).
2. Débrancher le câble d'alimentation (10) du réseau électrique et l'enrouler autour du logement (7).
3. Vider les réservoirs (14 et 16) comme indiqué au paragraphe précédent.
4. Effectuer les opérations d'entretien prévues après l'utilisation de la machine (voir le chapitre Entretien).
5. Garder la machine dans un endroit propre et sec.

### INACTIVITE PROLONGEE DE LA MACHINE

Si l'on prévoit de ne pas utiliser la machine pendant plus de 30 jours, il est convenable d'effectuer les opérations suivantes :

1. Effectuer les opérations décrites au paragraphe Après l'utilisation de la machine.
2. Garder la machine dans un endroit propre et sec.

### PREMIERE PERIODE D'UTILISATION

Après les 8 premières heures d'utilisation, il est nécessaire de contrôler le serrage des éléments de fixation et de connexion de la machine. Vérifier que les parties visibles sont intactes et sans pertes.

## ENTRETIEN

La durée de vie de la machine et sa sécurité de fonctionnement sont garanties par un entretien soigné et régulier. Veuillez trouver ci-dessous le plan récapitulatif d'entretien programmé. Les périodicités indiquées peuvent subir des variations en fonction de conditions de travail particulières, à définir par le responsable de l'entretien.



### ATTENTION !

**Les opérations d'entretien doivent être exécutées avec la machine à l'arrêt et le câble d'alimentation débranché du réseau électrique.**

**En outre, lire attentivement toutes les instructions du paragraphe Sécurité.**

Toutes les opérations d'entretien programmé ou extraordinaire doivent être effectuées par du personnel qualifié ou par un Service après-vente agréé.

Ce manuel ne contient que les opérations d'entretien les plus simples et les plus récurrentes.



### REMARQUE

*Pour les procédures des autres opérations d'entretien prévues par le plan d'entretien programmé, se référer au manuel d'entretien consultable auprès des Services après-vente.*

## PLAN D'ENTRETIEN PROGRAMME

Procédure	Quotidienne ou après l'utilisation de la machine	Hebdomadaire	Semestrielle	Annuelle
Nettoyage des brosses				
Nettoyage des embouchures				
Nettoyage des réservoirs et de la grille d'aspiration				
Contrôle et remplacement des lamelles en caoutchouc des embouchures				
Nettoyage du filtre du tube d'immersion de la solution				
Contrôle du serrage des vis et des écrous			(1)	
Contrôle et remplacement des charbons du moteur du système d'aspiration				(2)

(1) Et après les 8 premières heures de travail.

(2) Opération d'entretien de compétence d'un Service après vente agréé Clarke.

## NETTOYAGE, CONTROLE ET REMPLACEMENT DES EMBOUCHURES



### REMARQUE

*Pour un bon séchage, les embouchures doivent être propres et les lamelles en caoutchouc doivent être en bon état.*



### AVERTISSEMENT !

**Lors du nettoyage des embouchures et de la tête porte-brosses, il est conseillé de porter des gants de protection à cause de la présence éventuelle de débris tranchants.**

1. Porter la machine sur un sol plat.
2. Vérifier que le câble d'alimentation (10) est débranché du réseau électrique.
3. Pour avoir accès à la tête porte-brosses / embouchures, soulever la machine au moyen du guidon (2).
4. Retirer les embouchures de la tête en appuyant sur les pinces d'accrochage (27).
5. Contrôler et nettoyer la tête porte-brosses / embouchures (9) et nettoyer en particulier les compartiments de convoyage (A, Fig. 3) et l'orifice d'aspiration (B) de la saleté et des déchets.
6. Laver et nettoyer l'embouchure. Nettoyer en particulier les compartiments de convoyage (C) et l'orifice d'aspiration (D) de la saleté et des déchets.
7. Contrôler que la lamelle en caoutchouc (E) et la lamelle en caoutchouc (F) sont intactes et qu'elles ne présentent pas de coupures ou déchirures ; dans le cas contraire, remplacer l'embouchure.
8. Installer les embouchures.

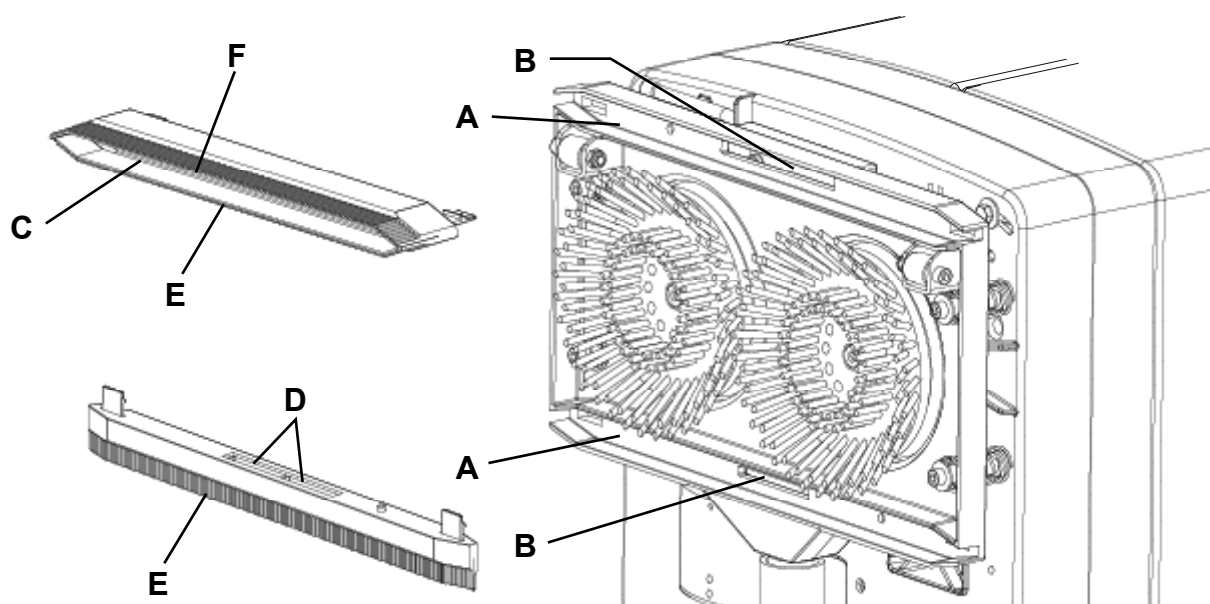


Figure 3

P100314

## NETTOYAGE DES BROSSES



### AVERTISSEMENT !

**Lors du nettoyage des brosses, il est conseillé de porter des gants de protection à cause de la présence éventuelle de débris tranchants.**

1. Déposer les brosses de la machine comme indiqué au chapitre Utilisation.
2. Nettoyer et laver les brosses avec de l'eau et du détergent.
3. Contrôler que les poils des brosses sont intacts et non excessivement usés ; en cas contraire, remplacer les brosses.

## NETTOYAGE DE LA GRILLE D'ASPIRATION, DU RESERVOIR DE LA SOLUTION ET DU RESERVOIR DE L'EAU DE RECUPERATION

1. Pousser la machine dans la zone destinée à l'écoulement.
2. Vérifier que le câble d'alimentation (10) est débranché du réseau électrique.
3. Soulever le couvercle transparent (A, Fig. 4) et le nettoyer soigneusement.  
Nettoyer soigneusement la grille d'aspiration (B). Si besoin est, déconnecter les tuyaux (20 et 21).
4. Contrôler l'intégrité du joint d'étanchéité (C) du couvercle transparent.



### REMARQUE

Le joint d'étanchéité (C) permet la création d'une dépression dans le réservoir, nécessaire à l'aspiration de l'eau de récupération.

Si besoin est, déposer le joint d'étanchéité (C) de son logement (A) et le remplacer.

5. Contrôler aussi l'intégrité et l'efficacité de la surface d'appui (D) du joint d'étanchéité (C).
6. Vider, nettoyer et laver le réservoir de l'eau de récupération (16) et le réservoir de la solution (14) comme indiqué au chapitre Utilisation.
7. Installer les réservoirs et le couvercle transparent avec la grille d'aspiration.

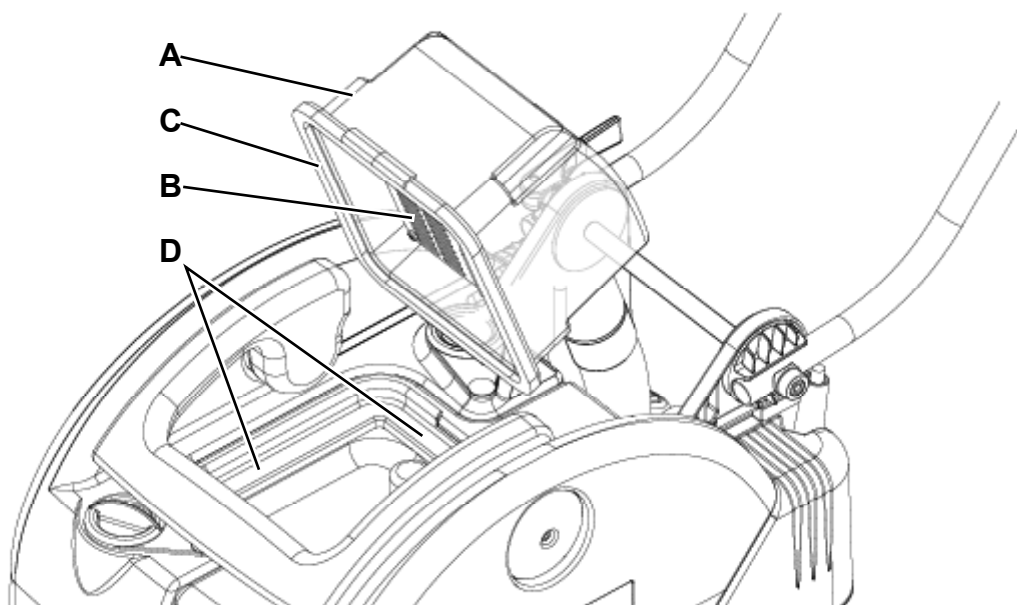


Figure 4

P100315

## NETTOYAGE DU FILTRE DU TUYAU D'IMMERSION DE LA SOLUTION

1. Porter la machine sur un sol plat.
2. Vérifier que le câble d'alimentation (10) est débranché du réseau électrique.
3. Retirer le bouchon du tube d'immersion (A, Fig. 5), retirer avec soin le tube du réservoir et nettoyer le filtre (B) à l'eau.  
Si besoin est, enlever le filtre et le remplacer.
4. Installer le filtre avec le tube d'immersion à l'intérieur du réservoir, puis installer le bouchon.

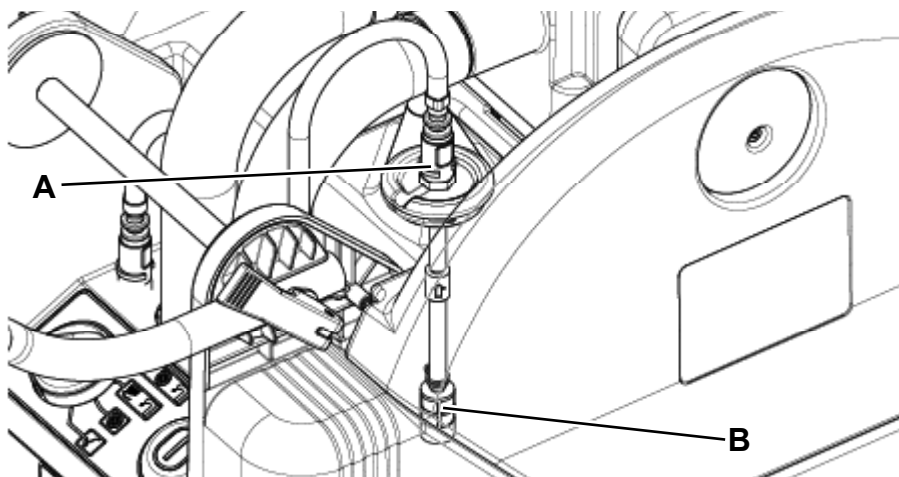


Figure 5

P100316

## DEPISTAGE DES PANNES

Problème	Cause probable	Remède
Les moteurs ne démarrent pas.	Le câble d'alimentation (10) est défectueux ou n'est pas branché au réseau électrique.	Remplacer ou brancher le câble.
L'aspiration d'eau sale est insuffisante ou nulle.	Le réservoir de l'eau de récupération (16) est plein.	Vider.
	La grille d'aspiration (15) est obstruée.	Nettoyer.
	Le tuyau d'aspiration (21) est déconnecté de la tête (9) ou est défectueux.	Connecter ou remplacer.
	Les embouchures (12 - 13) sont sales ou les lamelles en caoutchouc de l'embouchure sont usées ou endommagées.	Nettoyer ou remplacer les embouchures.
	Le joint du couvercle transparent (15) est abîmé.	Contrôler et / ou nettoyer la zone de contact ou remplacer le joint.
	Le moteur du système d'aspiration est en panne.	Remplacer (*).
Le débit de solution détergente à la brosse est insuffisant.	Le filtre de la solution (25) est sale.	Nettoyer.
Les brosses ne tournent pas.	La courroie de transmission est desserrée ou arrachée.	Régler ou remplacer (*).
	Le moteur des brosses est en panne.	Remplacer (*).
L'embouchure laisse des traces au sol.	Débris sous les lamelles en caoutchouc (12 - 13) de l'embouchure.	Enlever les débris.
	Le lamelles en caoutchouc (12 - 13) de l'embouchure sont usées, ébréchées ou déchirées.	Remplacer les lamelles en caoutchouc.

(\*) Opération d'entretien de compétence d'un Service après vente agréé Clarke.

Pour de plus amples informations, se référer au manuel d'entretien consultable auprès des Services après-vente Clarke.

## MISE A LA FERRAILLE

Effectuer la mise à la ferraille de la machine auprès d'un démolisseur agréé.

Avant d'effectuer la mise à la ferraille de la machine il est nécessaire de déposer et séparer les éléments suivants et les envoyer aux collectes sélectives, conformément aux normes d'hygiène de l'environnement en vigueur (directive locale) :

- Brosse
- Parties électriques et électroniques (\*)

(\*) Notamment pour la mise en décharge des parties électriques et électroniques, s'adresser auprès du centre Clarke le plus proche.

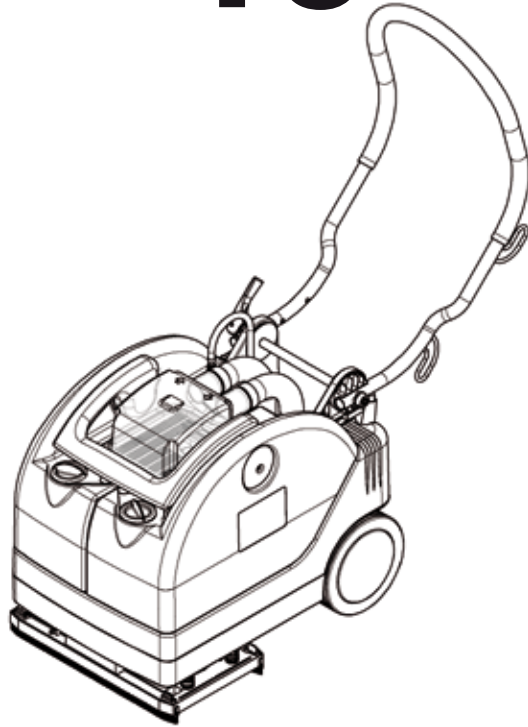


---

# Clarke<sup>®</sup>

## Vantage

# 13



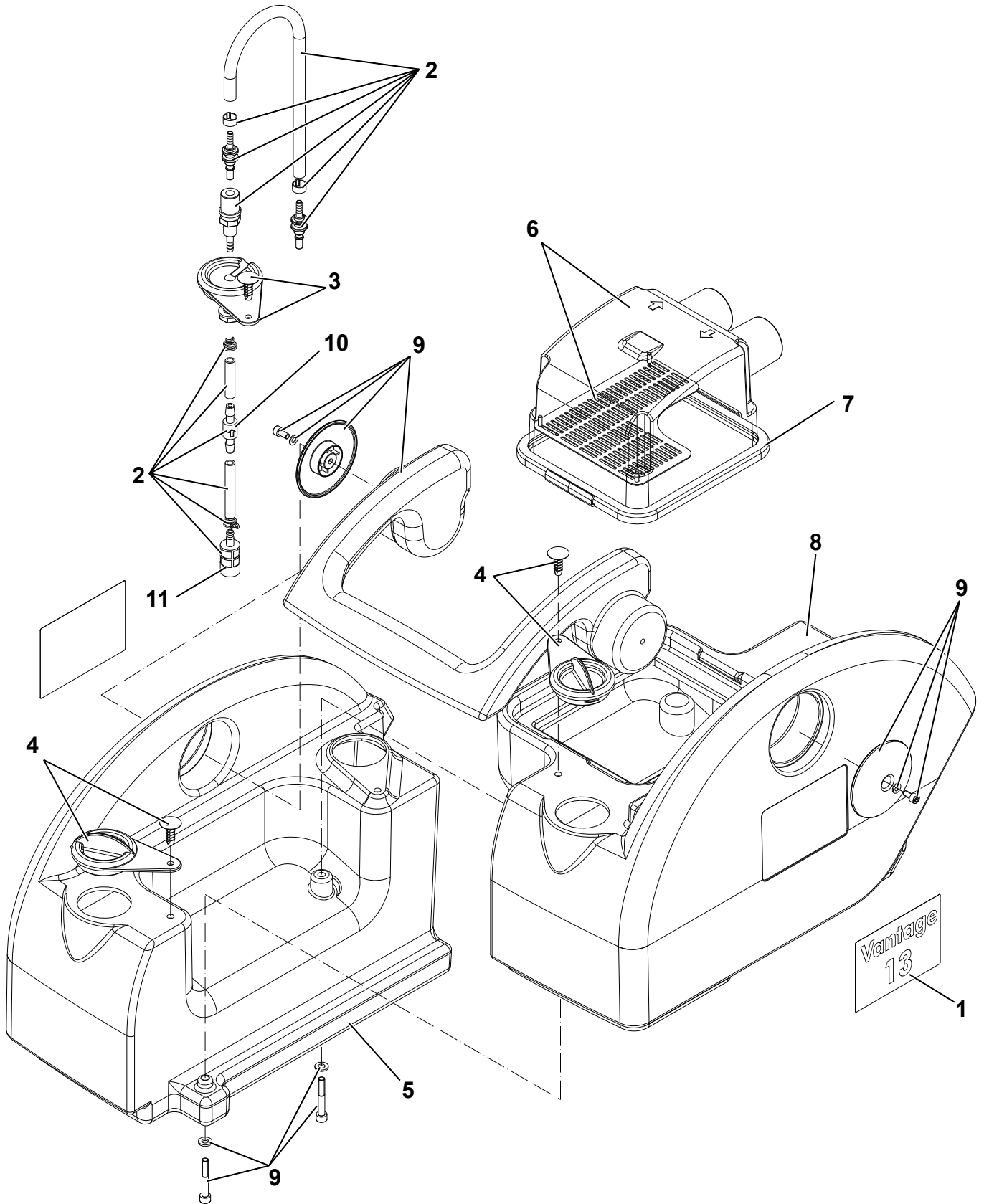
### Parts List

[ ] = Not shown

\* = optional

# = Modified item No. or New item No.

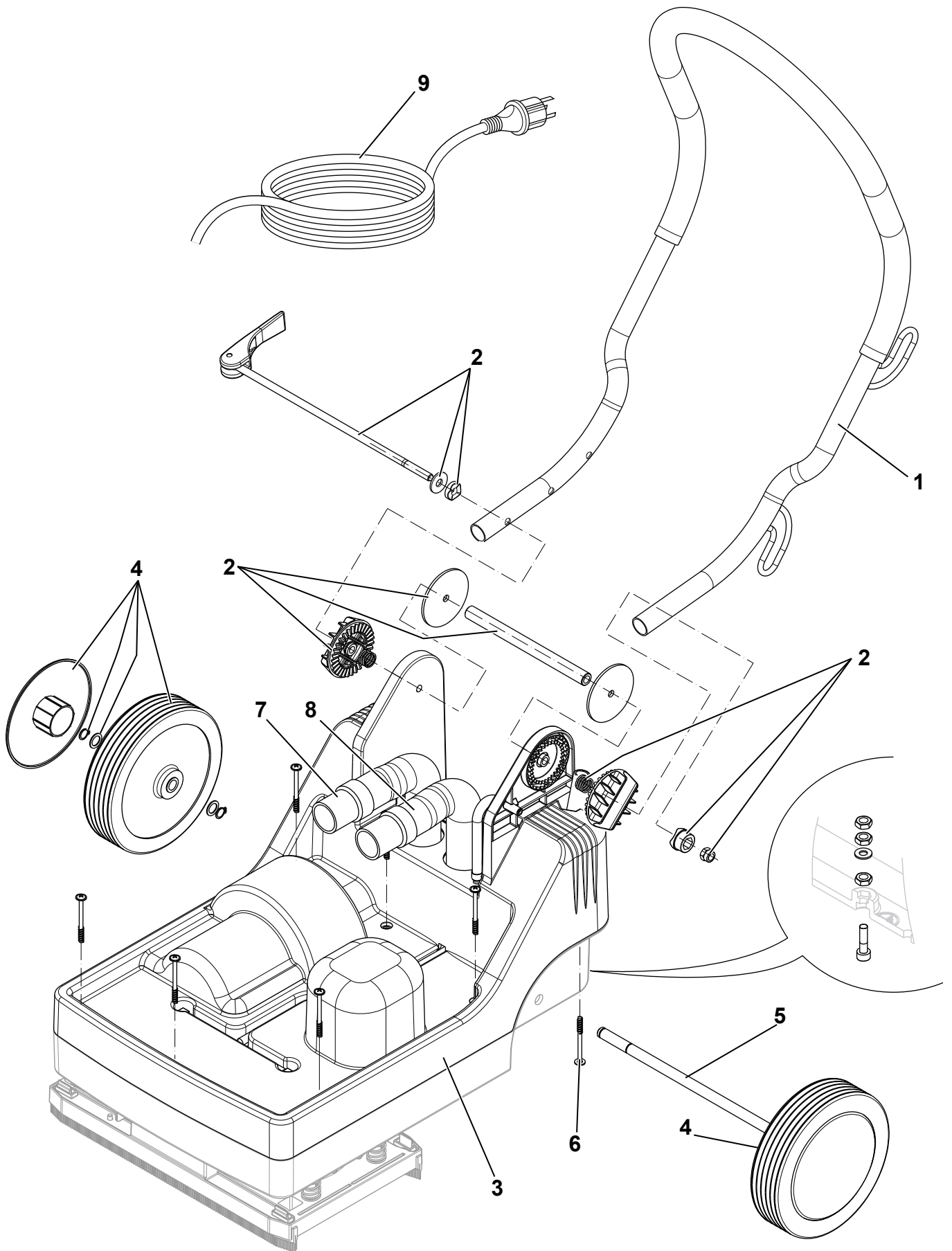
TANKS SYSTEM



**TANKS SYSTEM**

<b>Ref.</b>	<b>Part No.</b>	<b>Description</b>	<b>Qty</b>
1	9097900000	DECALS KIT CLARKE VANTAGE 13	1
2	9097896000	VACUUM SOLUTION KIT	1
3	9097897000	CAP TANK WITH HOLE KIT	1
4	9097515000	CAP TANK KIT	2
5	9097669000	TANK SOLUTION	1
6	9097898000	COVER TANK KIT	1
7	9097236000	GASKET TANK COVER	1
8	9097668000	TANK RECOVERY	1
9	9097899000	KIT HANDLE	1
10	9097277000	VALVE ONE-WAY	1
11	L08603126	FILTER SOLUTION	1

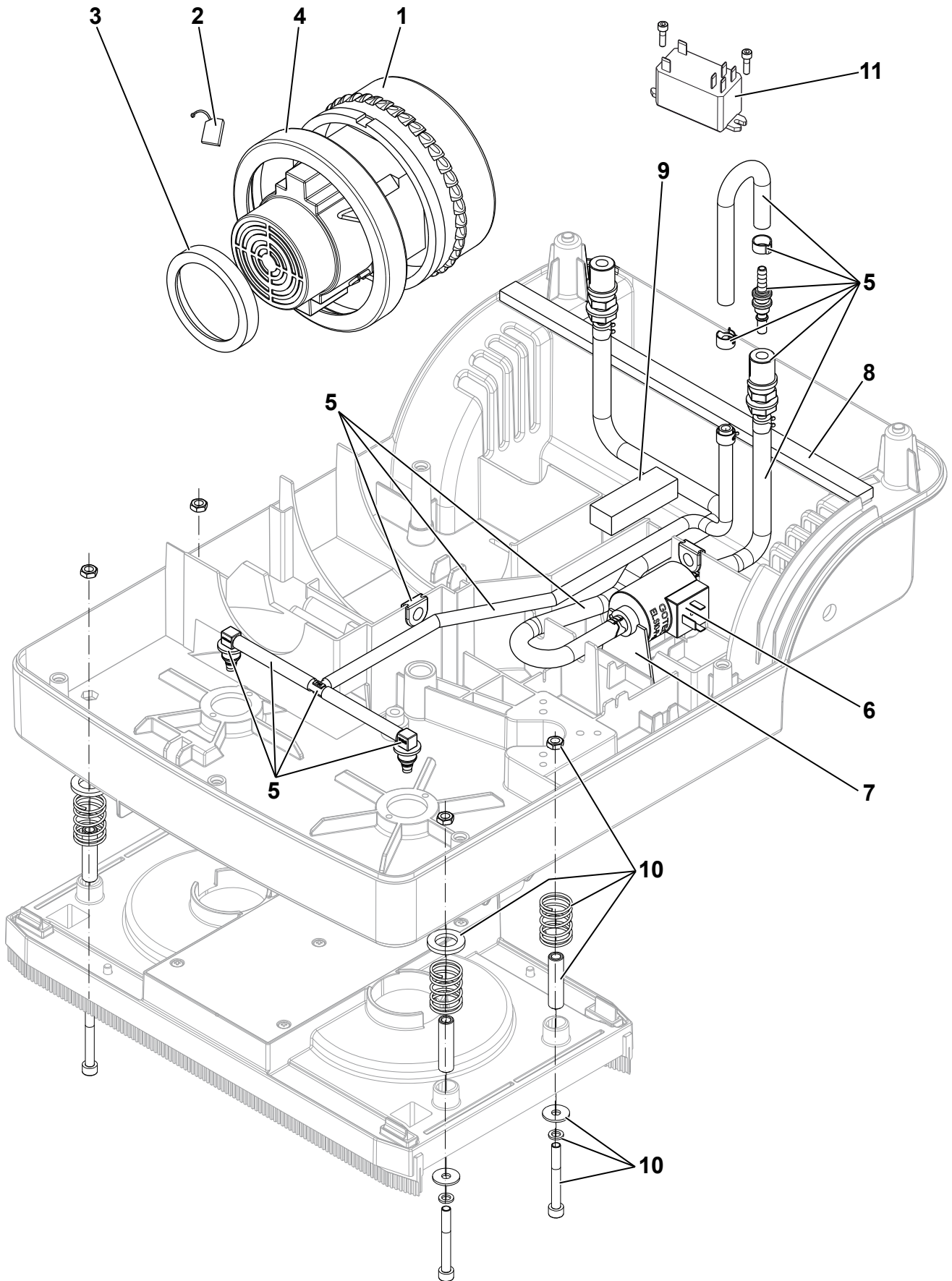
FRAME UPPER SYSTEM



**FRAME UPPER SYSTEM**

<b>Ref.</b>	<b>Part No.</b>	<b>Description</b>	<b>Qty</b>
1	9097673000	HANDLE BAR	1
2	9097437000	FIXING HANDLE BAR KIT	1
3	9097216000	FRAME UPPER	1
4	9097440000	WHEELS KIT	1
5	9097231000	SHAFT WHEELS	1
6	909 5893 000	SCREW	8
7	9097675000	HOSE VACUUM BLACK	1
8	9097674000	HOSE SQUEEGEE VACUUM BLACK	1
9	9097505000	CABLE POWER SUPPLY UL	1

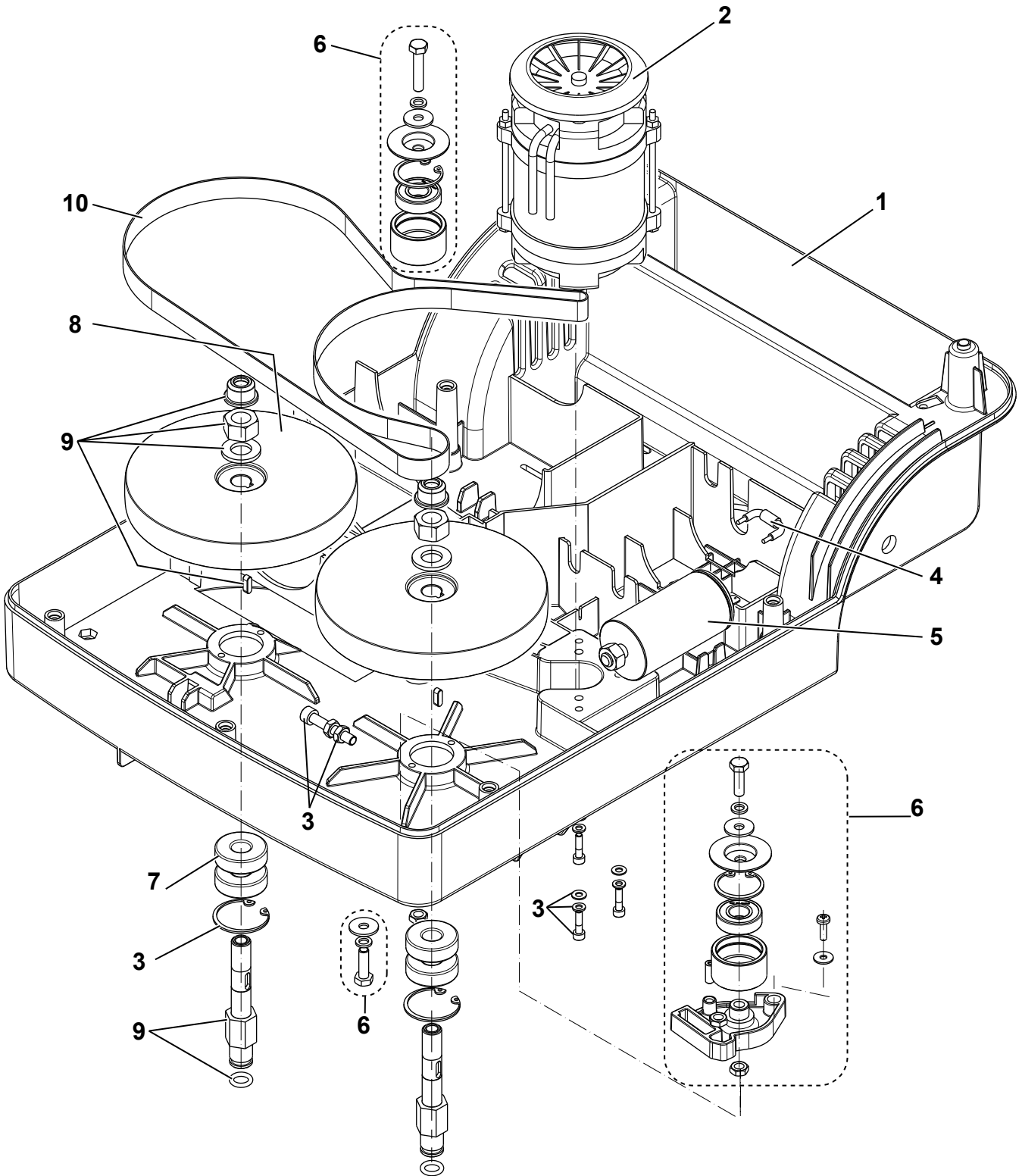
FRAME LOWER SYSTEM



**FRAME LOWER SYSTEM**

<b>Ref.</b>	<b>Part No.</b>	<b>Description</b>	<b>Qty</b>
1	9097504000	MOTOR VACUUM 110/120V 450W	1
2	909 5719 000	CARBON BRUSH	2
3	9097251000	GASKET VACUUM MOTOR	1
4	9097250000	GASKET VACUUM MOTOR	1
5	9097493000	PIPE SOLUTION KIT	1
6	9097262000	PUMP WATER 110V 30W	1
7	9097275000	SUPPORT PUMP NYLON	1
8	146 0410 000	GASKET ADHESIVE 15X10X340 L=0,340 MT	1
9	9097583000	GASKET ADHESIVE 20X15X70 L=0,07 MT	1
10	9097431000	HARDWARE DECK FIXING KIT	1
11	909 6779 000	RELAY 120V 20A	1

TRANSMISSION SYSTEM

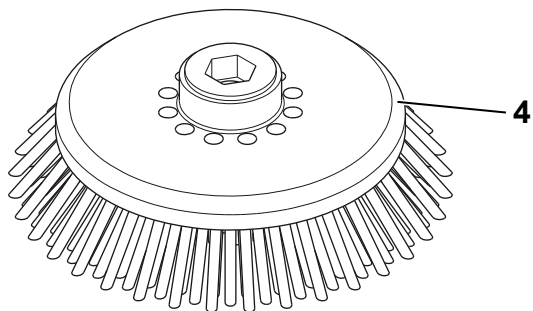
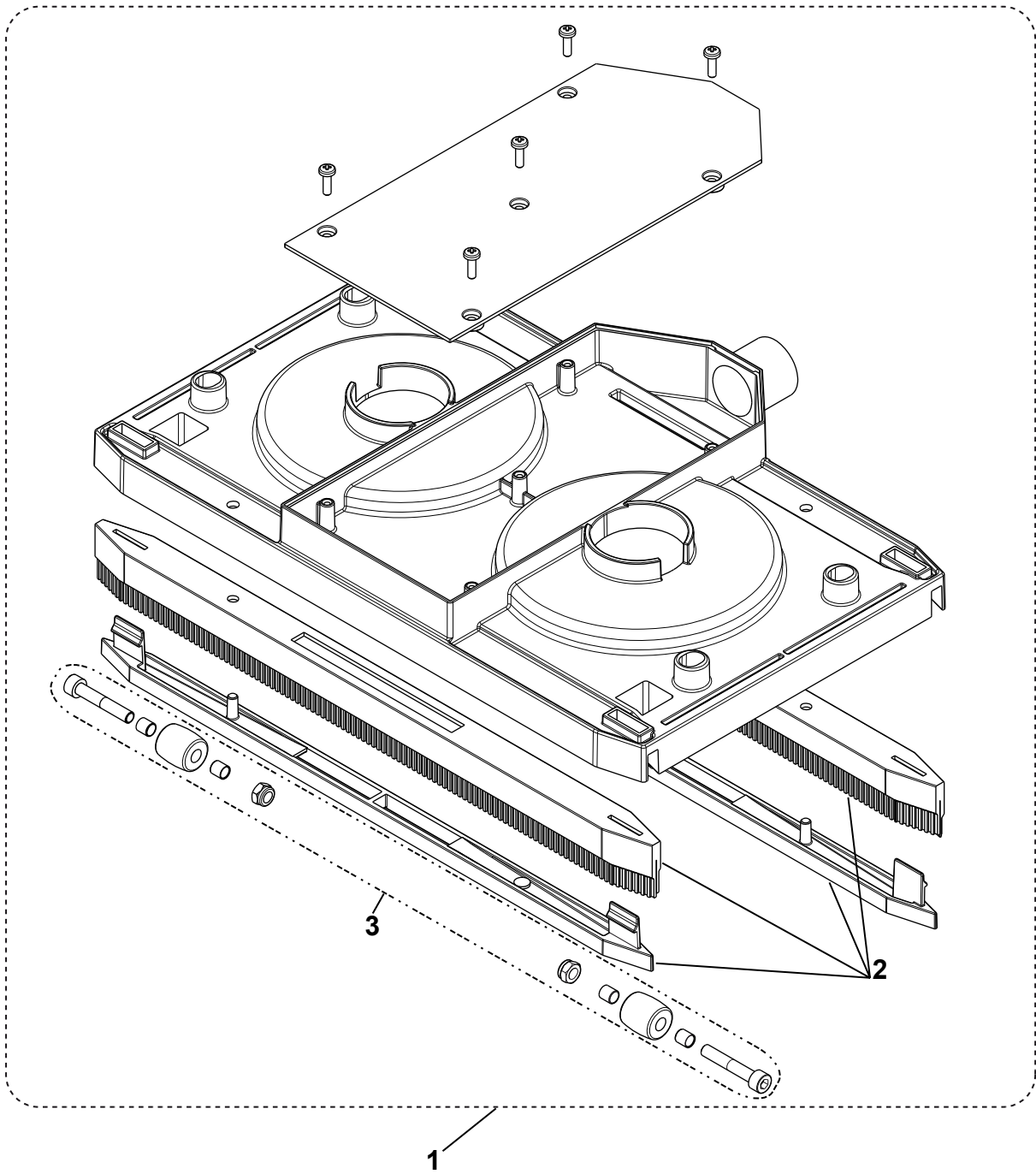




**TRANSMISSION SYSTEM**

<b>Ref.</b>	<b>Part No.</b>	<b>Description</b>	<b>Qty</b>
1	9097215000	FRAME LOWER	1
2	9097503000	MOTOR ELECTRIC 100W 115V	1
3	9097467000	HARDWARE TRASMISSION SYSTEM KIT	1
4	33009099	DIODE 1N4007	1
5	9097506000	CAPACITOR 20uF	1
6	9097436000	TENSIONER BELT KIT	1
7	909 5763 000	BALL BEARING	4
8	9097240000	PULLEY BRUSH	2
9	9097435000	PIN BRUSH KIT	1
10	9097245000	BELT FLAT 1060 MAXIFLEX	1

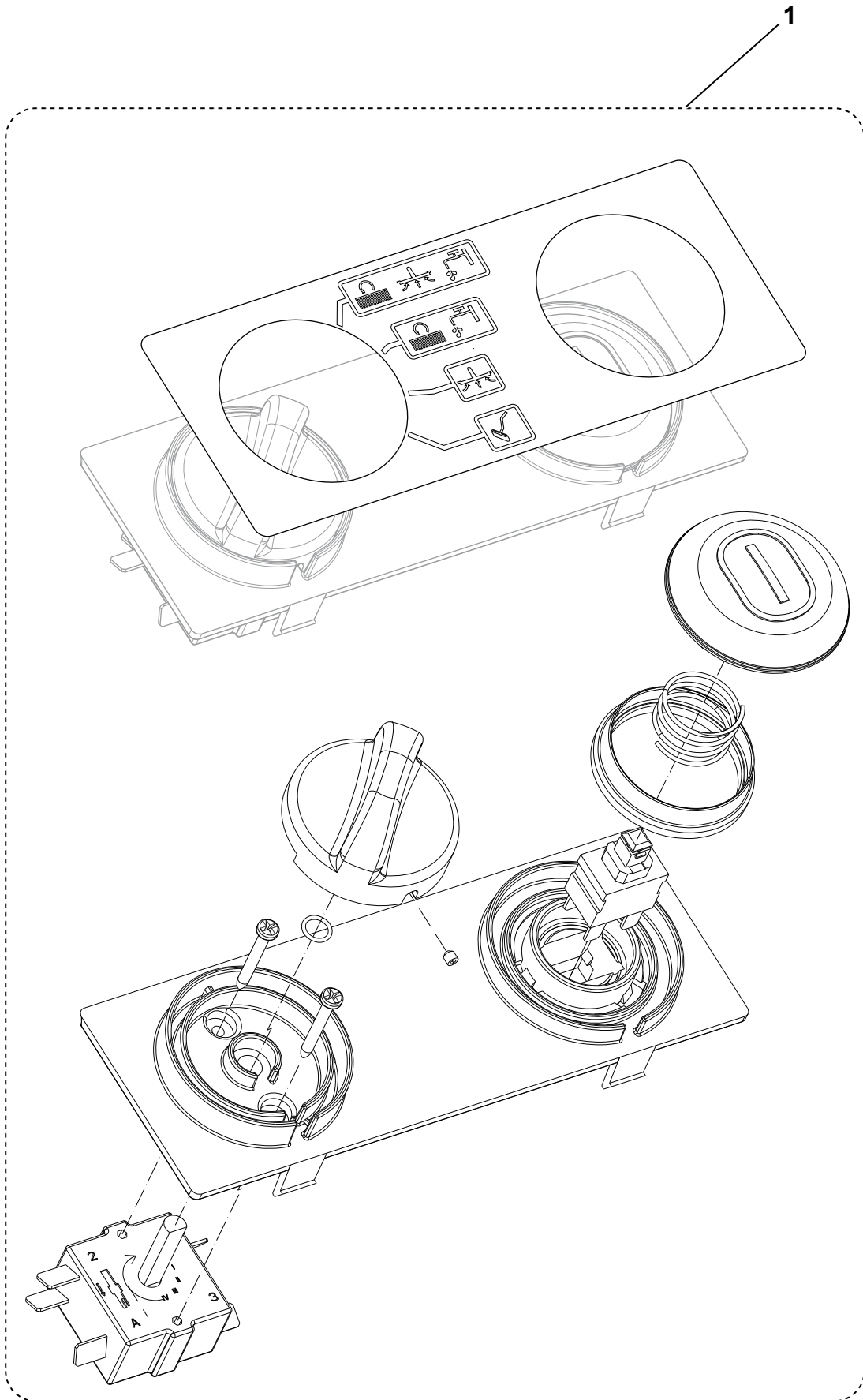
BRUSHES - SQUEEGEES DECK



**BRUSHES - SQUEEGEES DECK**

<b>Ref.</b>	<b>Part No.</b>	<b>Description</b>	<b>Qty</b>
1	9097432000	DECK BRUSH KIT	1
2	9097542000	BLADES PU KIT 385MM/15"	1
3	9097434000	ROLLER DECK KIT	1
4	9097242000	LITE POLY BRUSH	2
<b>4*</b>	<b>9097543000</b>	<b>POLY BRUSH</b>	<b>2</b>

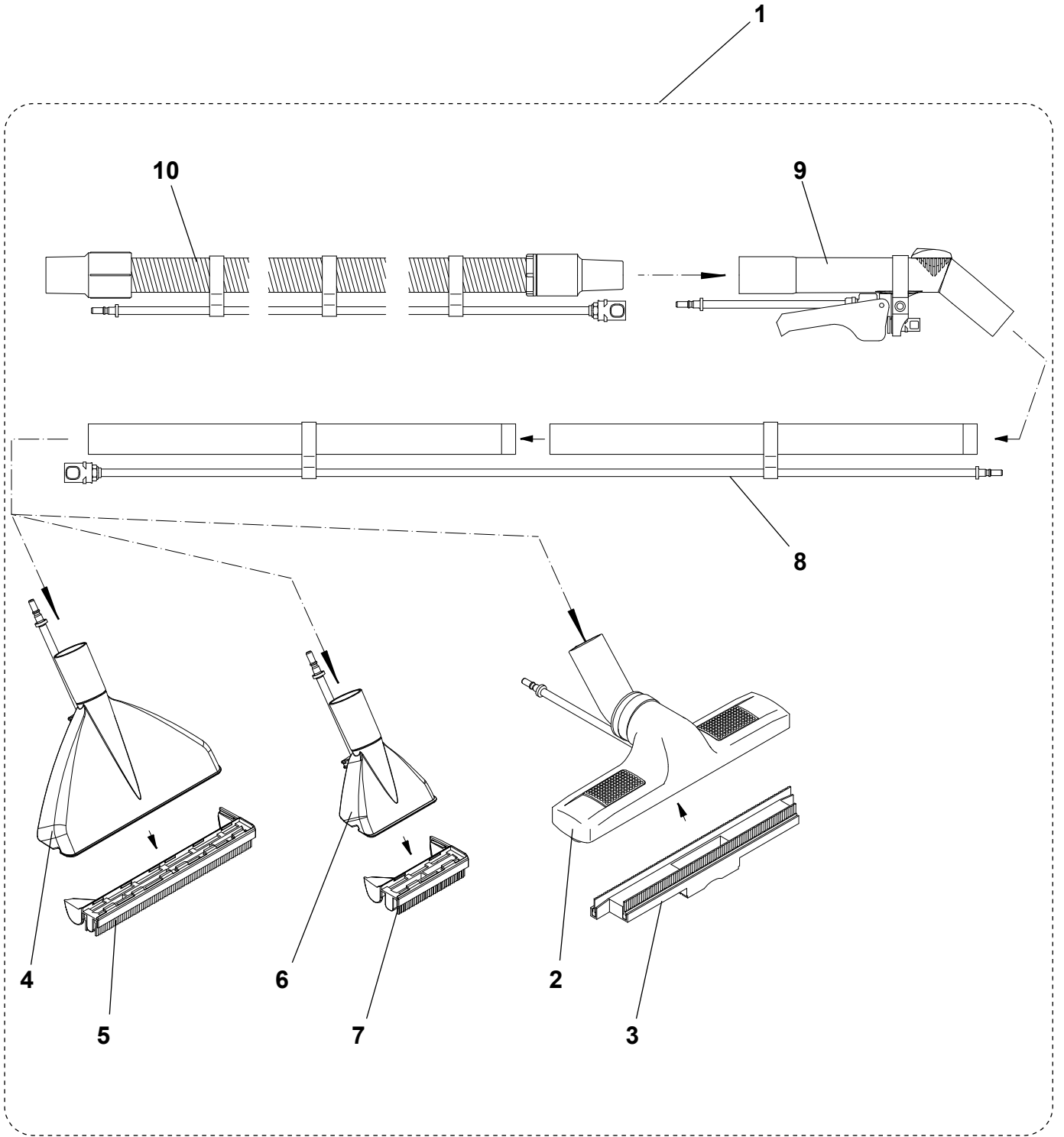
PANEL SYSTEM



**PANEL SYSTEM**

<b>Ref.</b>	<b>Part No.</b>	<b>Description</b>	<b>Qty</b>
1	9097904000	PANEL CONTROL W / DECAL KIT	1
0	9097507000	HARNESS MACHINE UL	1

CARPET KIT (OPTIONAL)



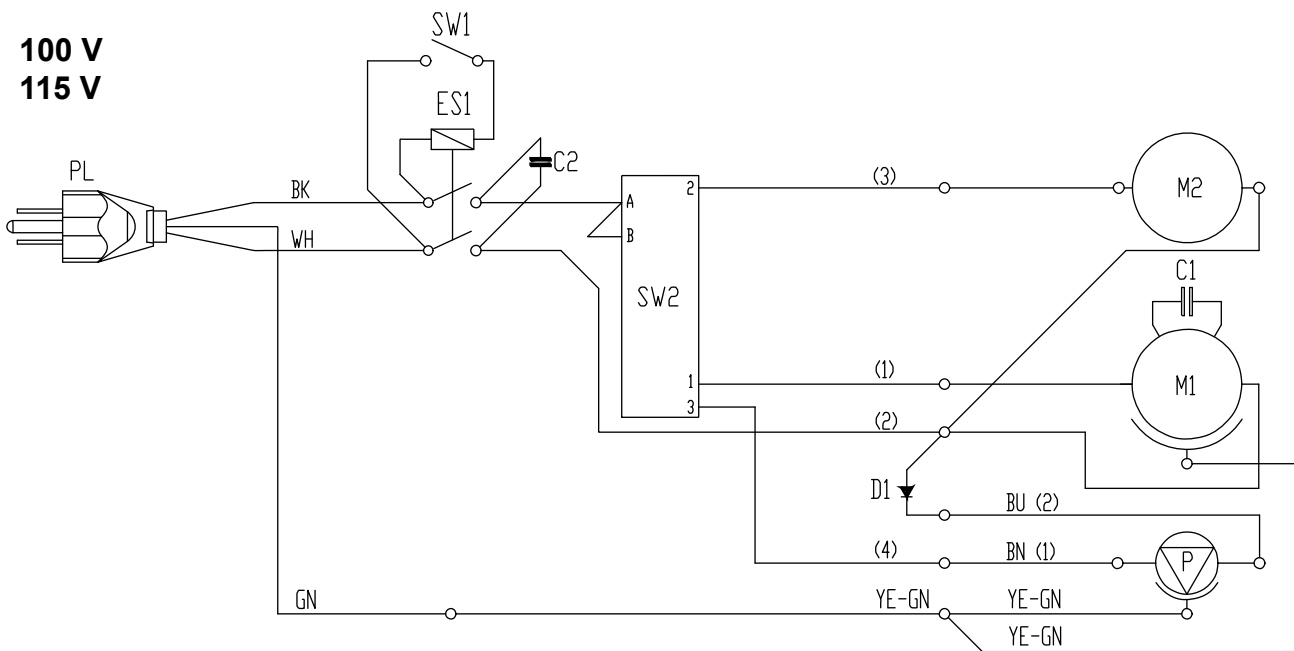
**CARPET KIT (OPTIONAL)**

<b>Ref.</b>	<b>Part No.</b>	<b>Description</b>	<b>Qty</b>
<b>1*</b>	<b>9097575000</b>	<b>WASHING CARPET KIT</b>	<b>1</b>
2	9097566000	NOZZLE D13	1
3	9097567000	FRAME BRUSH D13	1
4	9097568000	NOZZLE 230	1
5	9097569000	FRAME BRUSH 230	1
6	9097570000	NOZZLE 100	1
7	9097571000	NOZZLE 100	1
8	9097572000	EXTENSION HOSE	2
9	9097573000	HANDLE D2	1
10	9097574000	HOSE MT.3	1

**WIRING DIAGRAM**

COMPONENTS / COMPONENTI		
C1	BRUSH MOTOR CAPACITOR	CONDENSATORE MOTORE SPAZZOLE
C2	FILTER CAPACITOR	CONDENSATORE DI FILTRAGGIO
D1	PUMP DIODE	DIODO PER POMPA
ES1	RELAIS	RELE'
M1	BRUSH MOTOR	MOTORE SPAZZOLA
M2	VACUUM MOTOR	MOTORE ASPIRATORE
P	WATER PUMP	POMPA ACQUA
PL1	MAINS PLUG	SPINA DI RETE
SW1	MAIN SWITCH	INTERRUTTORE PRINCIPALE
SW2	ROTARY SWITCH	INTERRUTTORE ROTATIVO

COLOR CODES					
BK	BLACK	nero	PK	PINK	rosa
BU	BLUE	azzurro	RD	RED	rosso
BN	BROWN	marrone	VT	VIOLET	viola
GN	GREEN	verde	WH	WHITE	bianco
GY	GREY	grigio	YE	YELLOW	giallo
DG	ORANGE	arancio			





**RECOMMENDED SPARE PARTS**

Part No.	Description	Qty
	<b>WEAR PARTS</b>	
9097242000	LITE POLY BRUSH	2
9097542000	BLADES PU KIT 385MM/15"	1
9097251000	GASKET VACUUM MOTOR	1
9097899000	HANDLE KIT	1

	<b>ORDINARY MAINTENANCE</b>	
909 5719 000	CARBON BRUSH	2
9097245000	BELT FLAT 1060 MAXIFLEX	1
L08603126	FILTER SOLUTION	1
9097675000	HOSE VACUUM BLACK	1
9097674000	HOSE SQUEEGEE VACUUM BLACK	1
9097434000	ROLLER DECK KIT	1

	<b>EXTRAORDINARY MAINTENANCE</b>	
9097904000	PANEL CONTROL W / DECAL KIT	1
9097503000	MOTOR ELECTRIC 100W 115V	1
9097506000	CAPACITOR 20uF	1
9097262000	PUMP WATER 110V 30W	1
9097277000	VALVE ONE-WAY	1
9097250000	GASKET VACUUM MOTOR	1
9097440000	WHEELS KIT	1

	<b>ACCESSORIES</b>	
9097575000	WASHING CARPET KIT	1
9097543000	POLY BRUSH	2



# CLARKE PRODUCT SUPPORT BRANCHES

## U. S. A. Locations

### PRODUCTION FACILITIES

**Clarke®**, Springdale, Arkansas  
2100 Highway 265  
Springdale, Arkansas 72764  
(479) 750-1000  
**Customer Service - 1-800-253-0367**  
**Technical Service - 1-800-356-7274**

**American Lincoln®**, Bowling Green, Ohio 43402  
1100 Haskins Road

### SERVICE FACILITIES

**Clarke®**, Elk Grove, Illinois 60007  
2280 Elmhurst Road  
(847) 956-7900

**Clarke®**, Denver, Colorado 80204  
1955 West 13th Ave.  
(303) 623-4367

**Clarke®**, Houston, Texas 77040  
7215 North Gessner Road  
713-937-7717

### SERVICE AND SALES FACILITY

**American Lincoln® / Clarke**, Madison Heights,  
Michigan 48071-0158  
29815 John R.  
(810) 544-6300

**American Lincoln® / Clarke**, Marietta, Georgia 30066  
1455 Canton Road  
(770) 973-5225

---

**Clarke®**

**Clarke American Sanders**

**A.L. Cook**

**Customer Service Headquarters and Factory**  
2100 Highway 265  
Springdale, Arkansas 72764  
(479) 750-1000

**Technical Service**  
1-800-356-7274

## European Locations

### PRODUCTION FACILITIES

ALTO Danmark A/S, Aalborg  
Blytaekkervej 2  
DK-9000 Aalborg  
+45 72 18 21 00

ALTO Danmark A/S, Hadsund  
Industrikarveret  
DK-9560 Hadsund  
+45 72 18 21 00

### SALES SUBSIDIARIES

ALTO US - Canada, Ontario (Canada)  
4080 B Sladeview Crescent Unit 1  
Mississauga, Ontario L5L 5Y5  
(905) 569 0266

ALTO Overseas Inc., Sydney (Australia)  
1B/8 Resolution Drive  
Caringbah NSW 2229  
+61 2 9524 6122

ALTO Cleaning Systems Asia Pte Ltd., Singapore  
No. 17 Link Road  
Singapore 619034  
+65 268 1006

ALTO Deutschland GmbH, Bellenberg (Germany)  
Guido-Oberdorfer-Straße 2-8  
89287 Bellenberg  
+49 0180 5 37 37 37

ALTO Cleaning Systems (UK) Ltd., Penrith  
Gilwilly Industrial Estate  
Penrith  
Cumbria CA11 9BN  
+44 1768 868 995

ALTO France S.A. Strasbourg  
B.P. 44, 4 Place d'Ostwald  
F-67036 Strasbourg  
Cedex 2  
+33 3 8828 8400

ALTO Nederland B.V.  
Postbus 65  
3370 AB Hardinxveld-Giessendam  
The Netherlands  
+31 184 677 200

ALTO Sverige AB, Molndal (Sweden)  
Aminogatan 18  
Box 4029  
S-431 04 Molndal  
+46 31 706 73 00

ALTO Norge A/S, Oslo (Norway)  
Bjornerudveien 24  
N-1266  
+47 2275 1770

## Clarke® LIMITED U.S. WARRANTY

This Clarke Product is warranted to be free from defects in materials and workmanship under normal use and service, when operated and maintained in accordance with Clarke's Maintenance and Operations instructions. The warranty period is subject to the conditions stated below.

### **3 YEARS FOR PARTS AND 1 YEAR FOR SERVICE LABOR** (See exceptions below)

Motors must be inspected for carbon motor brush wear at six-month intervals by an authorized Clarke repair station. Failure to comply with the six-month inspection requirement or failure to replace worn motor brushes identified during the inspection will void the warranty on the motors. Cost of the six-month inspection and replacement of carbon motor brushes is the responsibility of the purchaser. In the event of a warranty claim on the motors, proof of inspection and any required motor brush replacement must be provided. This warranty is extended only to the original purchaser for use of the product. It does not cover normal wear parts such as electrical cable, rubber parts, hoses and motor brushes.

### **BATTERY WARRANTY**

In addition to the items above, any original equipment Clarke Battery which becomes unserviceable under normal use within a period of ninety (90) days from date of sale to the original user will be repaired or replaced with one of equal specification at our option, F.O.B. any authorized Clarke Sales or Service Branch, with no charge to the user, except transportation costs. After expiration of the above ninety (90) day period, any battery which fails under normal use will be adjusted to the original user with a new battery of equal specification on an eighteen (18) months pro rate basis from the date of purchase. Adjustment will be determined using the then current list price, plus transportation costs.

Warranty is rendered null and void if battery is not kept filled to the proper level with DISTILLED WATER.

### **Clarke: POLYDUR® AUTOMATIC SCRUBBER SOLUTION AND RECOVERY TANK EIGHT-YEAR U.S. GUARANTEE**

Your new Clarke machine has polydur Solution and Recovery Tanks. Polydur is a rotationally molded, low-density linear polyethylene that won't crack or dent, and withstands most corrosives and temperature extremes. Clarke backs up your Polydur tanks with an eight-year guarantee. If a tank breaks or leaks under normal use within eight years of the date of purchase, it will be replaced free.

### **STATED WARRANTIES ARE IN LIEU OF ALL OTHER WARRANTIES, EXPRESSED OR IMPLIED**

Clarke's liability under this warranty is limited to repair of the product and/or replacement of parts and is given to purchaser in lieu of all other remedies, including INCIDENTAL AND CONSEQUENTIAL DAMAGES.

THERE ARE NO EXPRESS WARRANTIES OTHER THAN THOSE SPECIFIED HEREIN. THERE ARE NO WARRANTIES WHICH EXTEND BEYOND THE DESCRIPTION OF THE FACE HEREOF. NO WARRANTIES, INCLUDING BUT NOT LIMITED TO WARRANTY OF MERCHANTABILITY, SHALL BE IMPLIED. A warranty registration card is provided with your Clarke product. Return the card to assist Clarke in providing the performance you expect from your new floor machine.

If a difficulty develops with the product, you should: a) Contact the nearest authorized Clarke repair location or contact the Clarke Service Operations Department, 2100 Highway 265, Springdale, Arkansas 72764, for the nearest authorized Clarke repair location. Only these locations are authorized to make repairs to the product under this warranty. (b) Return the product to the nearest Clarke repair location. Transportation charges to and from the repair location must be prepaid by the purchaser. Clarke will repair the product and/or replace any defective parts with out charge within a reasonable time after receipt of the product.

Clarke, 2100 Highway 265, Springdale, Arkansas 72764.

**Clarke reserves the right to make changes or improvements to its machine without notice.  
Always use genuine Clarke Parts for repair.**

# Clarke®

2100 Highway 265  
Springdale, Arkansas, 72764