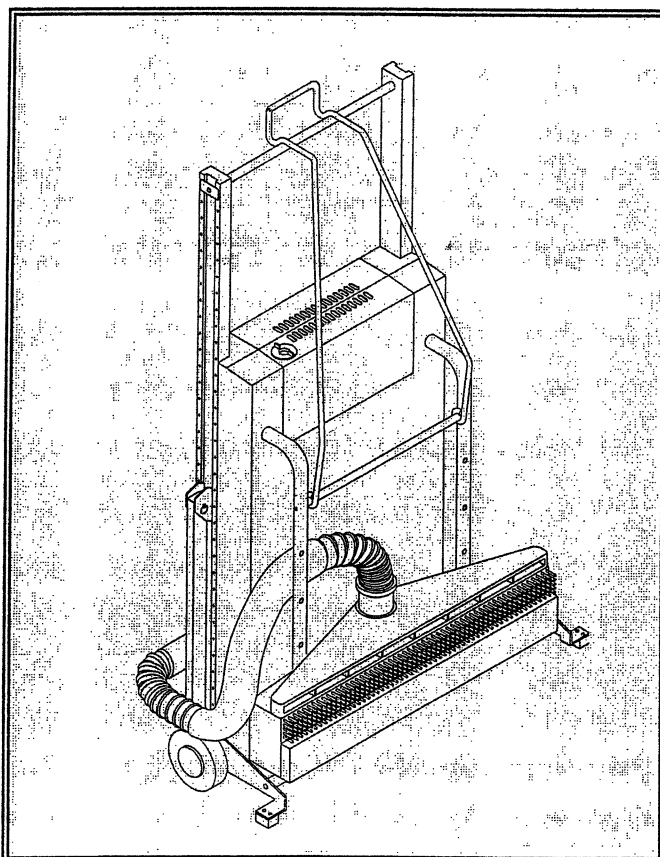


OWNER'S MANUAL

TREADMASTER

Escalator Step Cleaner



ISSA MEMBER
The Experts
on Cleaning and Maintenance

**CLEAN
MASTER**[®]
CORPORATION

TreadMaster

<i>Table of Contents</i>	<i>Page</i>
Machine Specifications	1
Operation	3
Daily Maintenance	6
Wiring Diagram	7
Machine Parts	10
Warranty Repair Policy	15
Warranty	16

Machine Serial Number _____

Copyright © 1998
CLEANMASTER® Corporation
Mukilteo, Washington

182-100

No part of this manual may be reproduced or used in any form or by any means (i.e. graphic, electronic, photocopying or electronic retrieval systems) without the express written permission of the CLEANMASTER® Corporation. All rights reserved.

Revised March 6, 1998

Machine Specifications

This machine is suitable for commercial use, for example in hotels, schools, hospitals, factories, shops and offices for other than normal housekeeping purposes.

◆ CAUTION ◆

This machine is not suitable for picking up health endangering dust.

◆ CAUTION ◆

This machine is for dry use only and shall not be used or stored outdoors in wet conditions.

Body: 18"W x 44"L x 18"H
Weight: 67 lbs.

Cleaning Head:

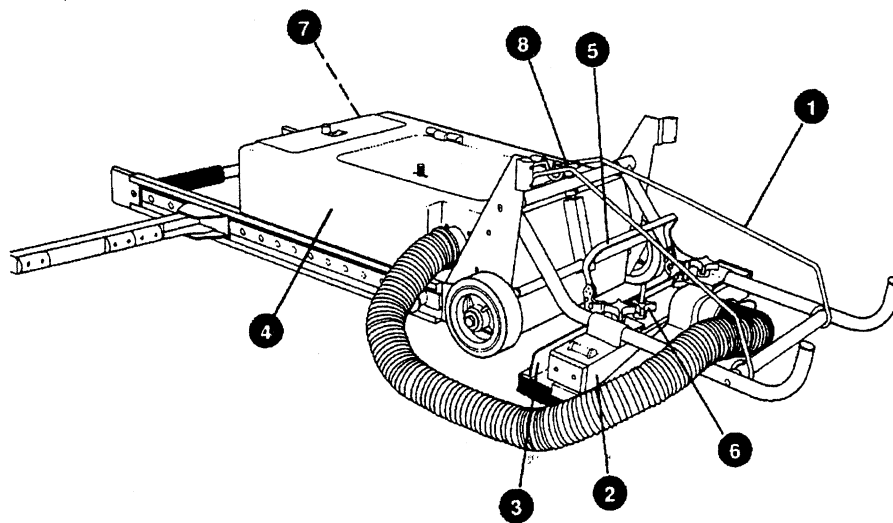
Size and Weight: 7"W x 24"L x 10"H - 58 lbs.
7"W x 32"L x 10"H - 69 lbs.
7"W x 40"L x 10"H - 80 lbs.

Vacuum Motor: (2) 1 5/8 HP motor

Power Draw:	110 / 115 volts AC	220 / 240 volts AC
	13.8 amps	6.9 amps
	50/60 hertz	50/60 hertz
	1587 watts	1587 watts

Construction: Durable Rotationally-molded Housing
Two Non-marking 6" x 2" Rubber Wheels
Extruded Aluminum Frame

Shipping Dimensions: 21" x 31" x 47"
12" x 15" x 43"



- | | |
|------------------------|------------------------------|
| 1 Lifting Arm | 5 Pad Holder and Lift Arm |
| 2 Cleaning Head | 6 Head Attachment Screws |
| 3 Polishing Pad Holder | 7 Power Socket (Not in View) |
| 4 Body | 8 Leveling Adjustment Knob |

Operation

◆ WARNING ◆

Before setting up the machine, turn off the escalator.

◆ WARNING ◆

To prevent possible electric shock, DO NOT operate the TreadMaster on any wet surfaces.

◆ WARNING ◆

This appliance must be earthed.

◆ WARNING ◆

If the plug on the power cord should be damaged, dispose of the plug cut from the power supply cord immediately. To prevent possible electric shock, DO NOT insert the plug into an electrical socket.

◆ CAUTION ◆

Match the size of your head assembly to the size of the step you are cleaning. Do not use a 24-inch head to clean a 32 or 40-inch step.

Operating Note...

Always place the TreadMaster where the steps are moving away from the unit. The TreadMaster can be operated from the top or the bottom of the escalator, however, bottom placement is preferred.

Setting Up...

1. Wheel the TreadMaster to the escalator in its 'upright' position.
2. Center the unit on the floor plate, between the handrails of the escalator.
3. Unlock the lifting arm and slowly lower the cleaning head onto the threshold.
4. Lower the unit until it lays flat on the floor.
5. Extend the restraining arms to their full locked position.
6. Slide the unit into the treadwell, making sure the restraining arms are firmly seated against the balustrades.
7. Adjust the head level to insure proper contact with the tread surface.
8. Remove the power cord, vacuum hose and warning sign from the tank body.
9. Attach the hose between the cleaning head and the tank nozzle.

Operation...

1. Adjust the level of the cleaning head to fit the groove surface. Make sure the polishing pad is clear. (To seat the brush in the grooves, set the polishing pad lever in the "up" position.)
2. Attach the safety sign to the crossbar handle.
3. Plug in the power cord at the machine receptacle first. Then plug the cord into the nearest rated outlet.
4. Turn the power switch on.
5. Prior to starting the escalator, review steps 1 through 9 under OPERATING INSTRUCTIONS.
6. Turn on the escalator, again making sure the direction of travel is **away** from the TreadMaster.
NOTE: For first-time cleaning, CleanMaster recommends that the unit be allowed to run for one hour for optimum results.

Polishing...

Pull the pad holder lift arm back toward the machine and down. This lowers the polishing pad to the tread surface and lifts the brush bristles from the grooves simultaneously.

Touch-Up Cleaning Hints...

Disconnect the hose from the vacuum head and attach the crevice tool. Before moving the unit, vacuum up the loose dirt (created by the scrubbing action of the brush) from around the cleaning head. Raise the head assembly and vacuum off the pad surface and the brush. These simple steps will prolong the service life of your equipment and reduce replacement costs.

Daily Maintenance

Refreshing and Replacing the Brush...

1. Place the polishing pad in the operating (down) position.
2. Now, withdraw the brush from its holder and inspect the bristles for wear. If the nylon grit bristles show obvious signs of wear, turn the brush around and reinsert, with the fresh bristles at the leading edge. This will allow for even, economical wear.
3. When the brush becomes ineffective, remove and replace it.

Replacing the Polishing Pad...

1. Place the unit in its upright storage position. Grip both ends of the pad and pull it away from its velcro holding strips. For economy, the pads are reversible, end to end, as well as face for face.
2. To replace the pad, simply align it on the velcro holder and press it firmly into place.

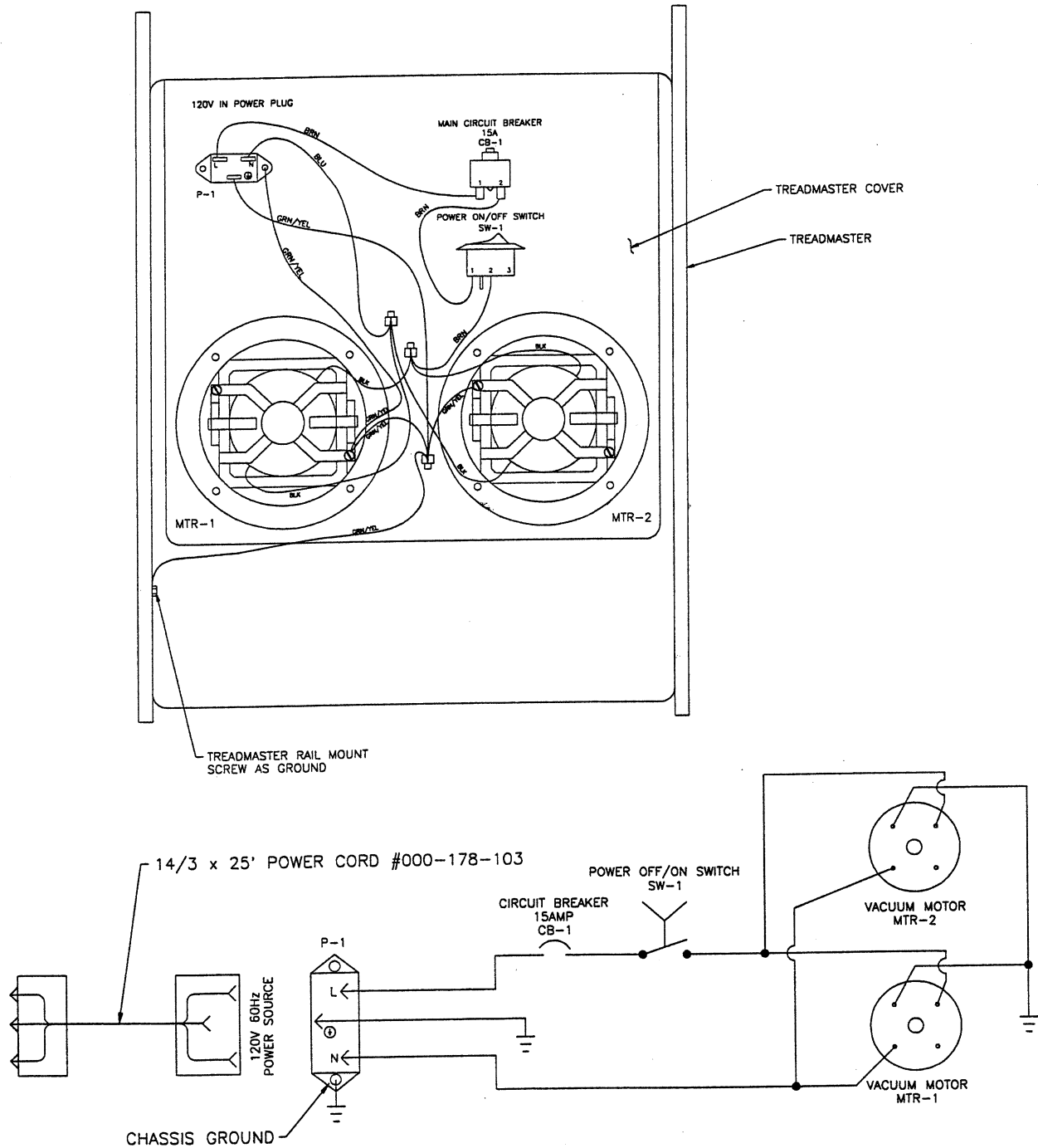
Cleaning the Vacuum Bag...

Open the tank access door. Release the bag from its holder by releasing the safety catch. Dispose of the contents in the appropriate manner and reinstall the bag. Close and latch the tank cover.

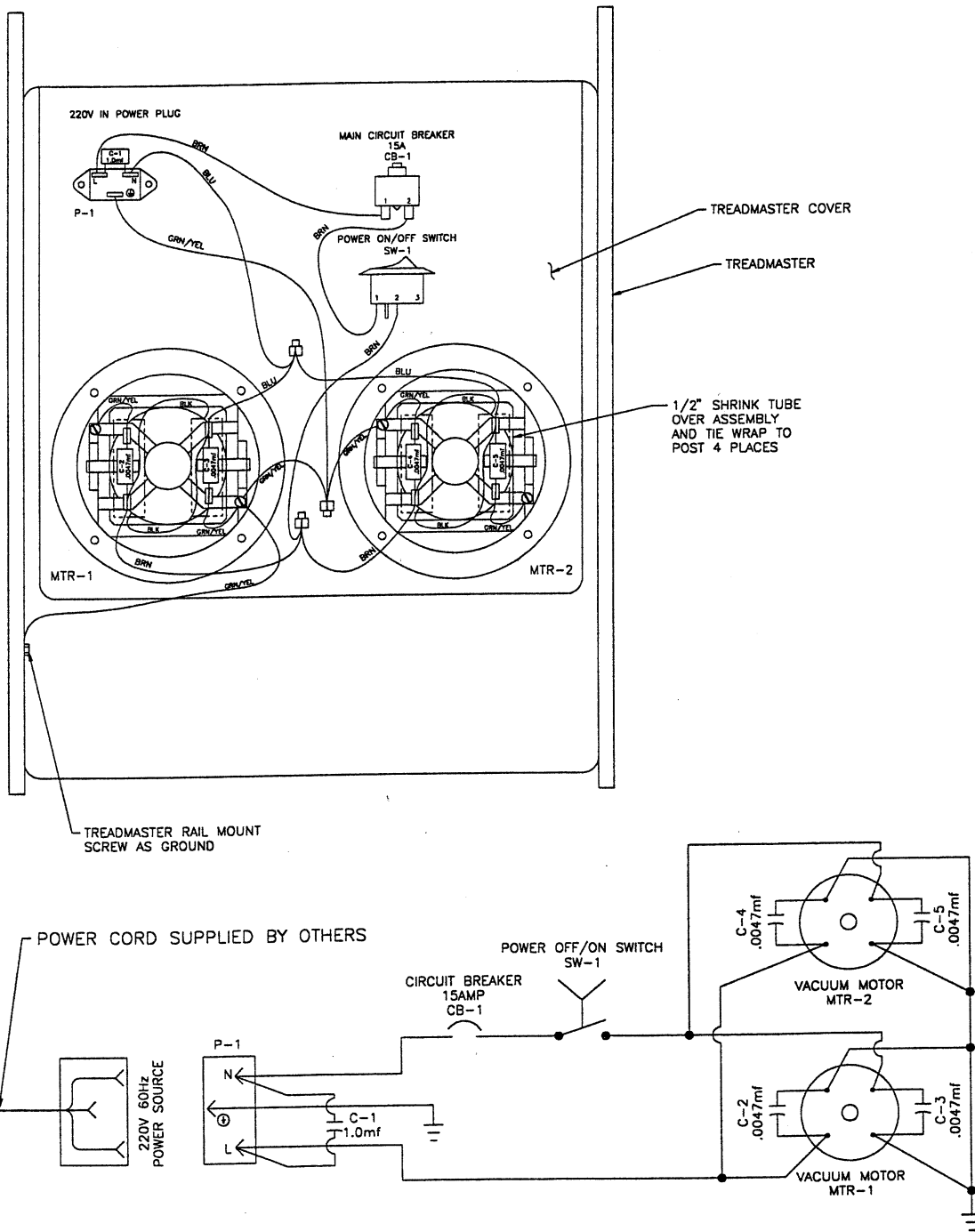
Using the Riser Brush...

This tool is used to remove dirt particles adhering to the riser. Attach a broom handle to the brush and sweep the riser face. As the dirt falls, it will be collected by the TreadMaster as the escalator cycles.

120 Volt Wiring Diagram



220 Volt Wiring Diagram



Electrical Information...

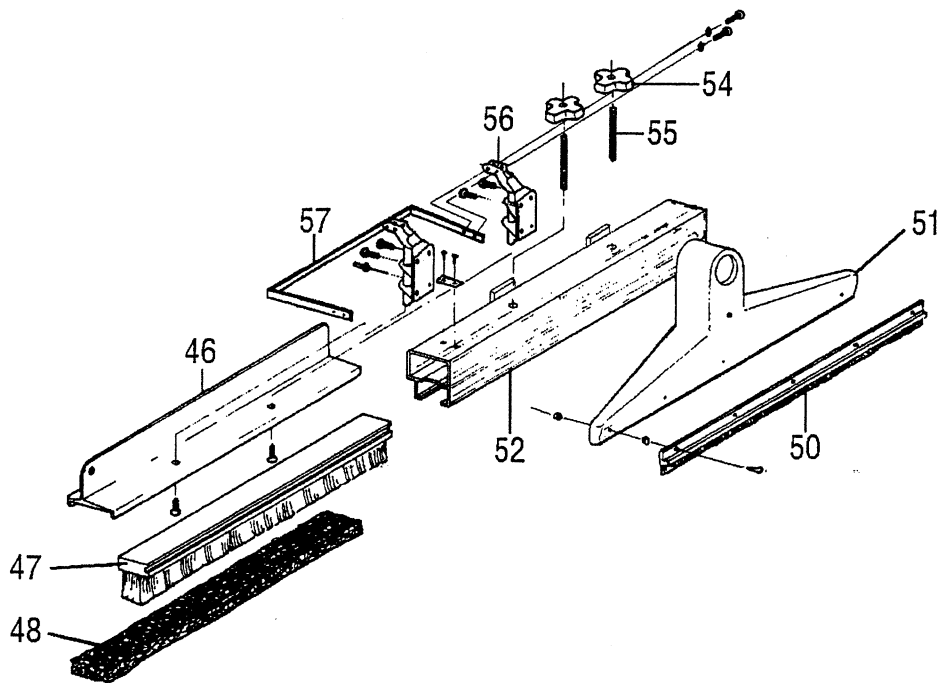
Important: The wires in this machine are colored in accordance with the following code: Green/Yellow - Earth, Blue - Neutral, Brown - Live.

As the colors of the wires in the power cord of this appliance may not correspond with the colored markings identifying the terminals in your plug, proceed as follows:

- a. The wire which is colored green/yellow must be connected to the terminal in the plug which is marked with the letter F or by the earth symbol \perp or colored green or green/yellow.
- b. The wire which is colored blue must be connected in the terminal which is marked with the letter N or colored black.
- c. The wire which is colored brown must be connected to the terminal which is marked with the letter L or colored red.

Machine Parts

Brush and Head Assembly



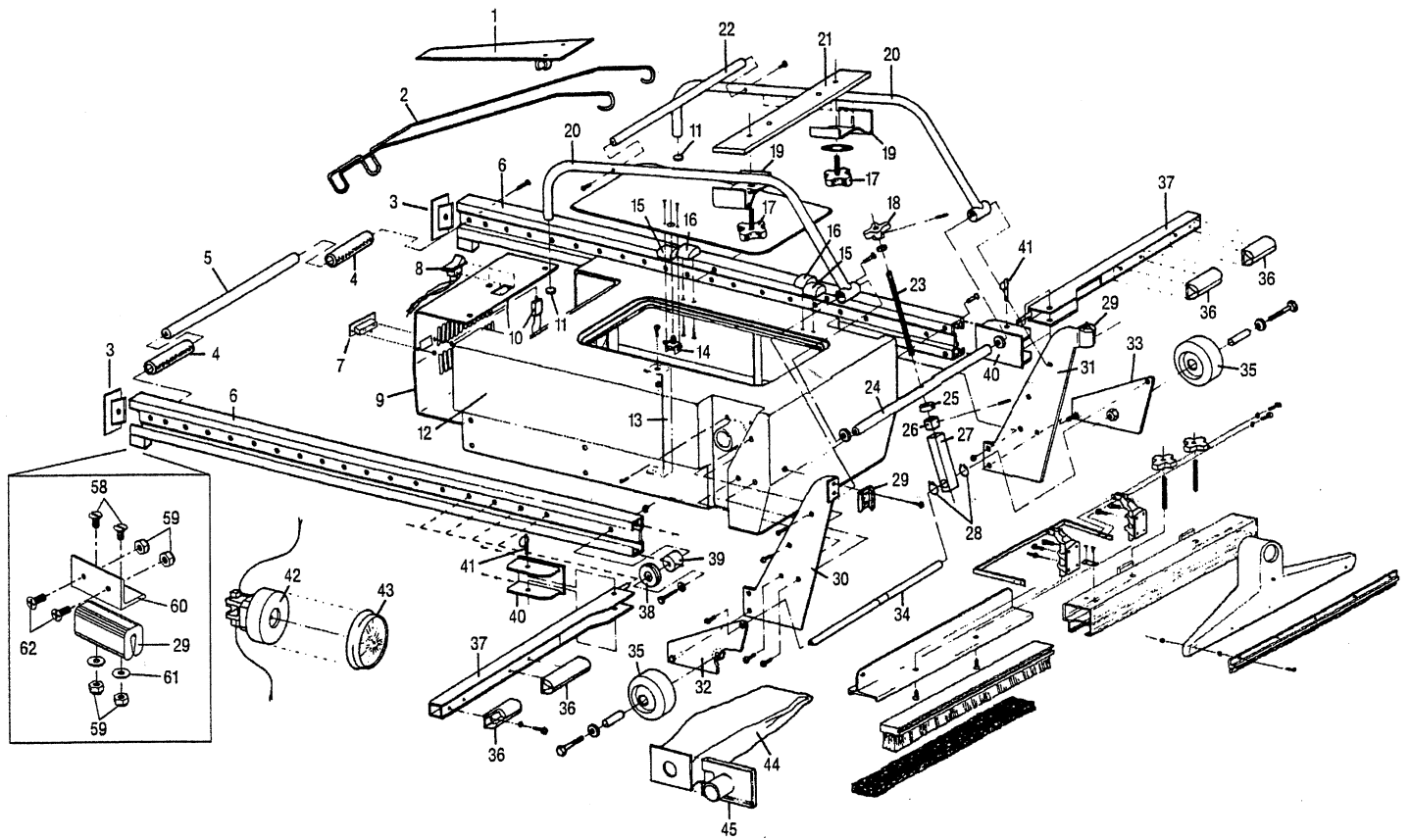
Brush/Head Assembly Parts List

ITEM	PART NO	DESCRIPTION	QTY
46	000-015-316	Bracket, 24" Polish Pad Mount	1
	000-015-317	Bracket, 32" Polish Pad Mount	1
	000-015-318	Bracket, 40" Polish Pad Mount	1
47	101-100-028	24" Nylon Grit Brush Assembly [△]	1
	101-100-029	32" Nylon Grit Brush Assembly [△]	1
	101-100-030	40" Nylon Grit Brush [△]	1
48	000-078-201	Pad, 24" Black Polishing - 6 pack	6
	000-078-203	Pad, 32" Black Polishing - 6 pack	6
	000-078-205	Pad, 40" Black Polishing - 6 pack	6
50	000-016-062	Vacuum Brush, Cut 24" [△]	1
	000-016-063	Vacuum Brush, Cut 32" [△]	1
	000-016-064	Vacuum Brush, Cut 40" [△]	1
51	105-100-018	Vacuum Nozzle Assy, 24"* [△]	1
	105-100-019	Vacuum Nozzle Assy, 32"* [△]	1
	105-100-020	Vacuum Nozzle Assy, 40"* [△]	1
52	000-015-310	Bracket, 24" Tread Brush Mount	1
	000-015-311	Bracket, 32" Tread Brush Mount	1
	000-015-312	Bracket, 40" Tread Brush Mount	1
54	000-061-102	Knob, 4/Flute Black - 3/8" 16 Female Threads	2
55	000-156-019	Stud, 3/8 - 16 x 2 3/4" Head Assembly	2
56	000-033-104	Clamp, Polish Pad Release	2
57	000-061-104	Pad Holder Lift Arm	1

* Includes corresponding part under Item 50.

△ When ordering, please indicate the exact length of the part.

Housing and Lift Arm Assembly



Housing and Lift Arm Assembly Parts List

ITEM	PART NO	DESCRIPTION	QTY
1	105-100-012	Safety Sign Assembly	1
2	000-061-116	Handle, Latching Bail	1
3	000-108-063	Protector, Plastic Bumper End	2
4	000-061-001	Handle, Foam Grip	2
5	000-055-121	Frame, Crossbar	1
6	000-055-120	Frame Rail, Drilled	2
7	000-106-107	Plug, Recessed Male	1
8	000-157-115	Switch, 16 amp Mini Rocker with Terminal	1
9	000-100-055	Panel, Motor Housing	1
10	000-018-003	Breaker, 15 amp Circuit	1
11	000-027-101	Cap, 7/8" Round Tube End	2
12	000-159-102	Tank, Vacuum	1
13	000-015-322	Bracket, Housing Support	8
14	000-086-107	Latch, Access	1
15	000-067-017	Hinge Set - Left	1
16	000-067-018	Hinge Set - Right	1
17	000-061-106	Knob, 4 Flute Black with 3/8" Stud	2
18	000-061-015	Knob, Adjusting	1
19	000-033-110	Clamp, Head Holder Mount	2
20	000-055-124	Frame, Lift Arm	2
21	000-105-160	Head Mounting Plate	1
22	000-055-123	Frame, Rack Crossbar	1
23	000-085-013	Linkage, Jack Assembly	1
24	000-055-125	Heel Crossbar	1
25	000-020-027	Collar, Jack Assembly	1
26	000-094-069	Jack Nut, Brass	1
27	000-055-122	Jack Nut, Frame Adjustment Tube	1
28	000-139-008	Snap Ring, Jack Assembly	2
29	000-108-103	Protector, Heel Pad (2")	4
30	000-105-162	Heel Plate, Left Hand	1
31	000-105-161	Heel plate, Right Hand	1
32	000-105-164	Sector Plate, Left	1
33	000-105-163	Sector Plate, Right	1
34	000-055-126	Sector Crossbar	1
35	000-177-017	Wheel, 6" x 2" Rubber	2
36a	000-108-104	Protector, 3" Extension Arm Bumper Pad	2
36b	000-108-105	Protector, 5" Extension Arm Bumper Pad	2
37	000-015-324	Bracket, 16" Extension Arm Assembly	2

ITEM	PART NO	DESCRIPTION	QTY
38	000-089-003	Magnet, Arm	2
39	000-154-104	Spacer, Restraining Arm Magnet	2
40	000-015-320	Sliding Bracket, Ext. Arms	2
41	000-103-053	Pin, Release	2
42a	000-111-151	Vacuum Motor, 120 v	2
42b	000-111-152	Vacuum Motor, 220 v	2
43	000-049-113	Filter, Vacuum Motor	2
44	000-049-115	Filter Bag, Cloth	1
45	000-001-010	Bag Holder Assembly	1
58	000-143-060	Screw, 10-24 x 3/8" Flat Hd Mach.	4
59	000-094-034	Nut, 10-24 s/s Nylock	8
60	000-015-323	Bracket, Bumper End Support	2
61	000-174-001	Washer, #10 s/s Flat	4
62	000-143-114	Screw, 10-24 x 1/2" FHM Phillips s/s	4
Not Shown:			
	000-016-060	Brush, Escalator Riser	1
	000-057-153	Gasket, Vacuum Motor	2
	000-068-501	Hose, Vacuum Hose Assembly	1
	000-100-054	Panel, Vacuum Tank Access Door	1
	000-163-101	Tool, Vacuum Crevice	1
	000-174-078	Swivel Washer	1
	000-178-103	Cord, 14/3 x 25' Gray Power (110v only)	1

Warranty Repair Policy

When requesting warranty information, call or write and provide the following information:

1. When and where the equipment in question was purchased.
2. Model and serial number of machine.
3. Part number and description of part.
4. Description of failure or defect.

Upon receipt of the above information, a Material Return Authorization will be issued.

All packages should be prepaid and clearly marked with the Material Return Authorization number. If these conditions are not met, shipment will be refused.

After evaluation, the item(s) will be repaired or replaced at our discretion.

If failure or defect is the result of physical abuse, or if the warranty period has expired, repairs will be charged to the customer.

For service, contact the distributor where the machine was purchased or call our Customer Service Department.

Monday through Friday • 8:00 am To 5:00 pm PST

Parts: (425) 775-7276
Service: (425) 775-7275
Parts and Service FAX: (800) 426-4225



PST



ROCK MT.



CENTRAL



EASTERN

5 - 3 - 1 WARRANTY

CleanMaster products are warranted to be free of defects in material for a period of either 5 years, 3 years, or 1 year as noted below:

- * 5 Years on Roto Cast Molded Tanks
- * 3 Years Prorated on Drive Motor Gearbox Assembly (RX-Express Only)
- * 1 Year on Vacuum Motors, Pumps, Switches, Fittings, Etc.
- * 1 Year on HushhVac Vacuums

During this warranty period, we will repair or replace, at our sole option, free of charge, any parts shown to be defective in either material or workmanship. Said parts must be returned with postage or freight pre-paid. Specific parts, such as switches, vacuum motors, pumps, fittings, etc., are also warranted for a period of 1 year from date of original purchase.

This warranty is for replacement of defective parts or workmanship only. **IT DOES NOT PROVIDE FOR REPLACEMENT OF COMPLETE UNITS DUE TO DEFECTIVE PARTS.** It does **NOT** cover normal wear items such as hoses, power cords, bumpers, carbon brushes, gaskets, etc., which require replacement as a result of ordinary usage. Also, failures caused by abuse, neglect, alterations or operation contrary to manufacturer's recommendations are not warranted.

Replacements parts are warranted only for the remainder of the original warranty period.

This warranty does not cover labor or other charges in connection with replacement parts. **NO LOCAL SERVICE OR REPAIR CHARGES ARE ALLOWED UNLESS PRIOR AUTHORIZATION IS OBTAINED.**

There are no other warranties, expressed or implied, made with respect to this equipment. The manufacturer assumes no responsibility for damages resulting from the use or misuse of this equipment.

**CLEAN
MASTER®**
CORPORATION

11015 47th Avenue W • Mukilteo, WA 98275