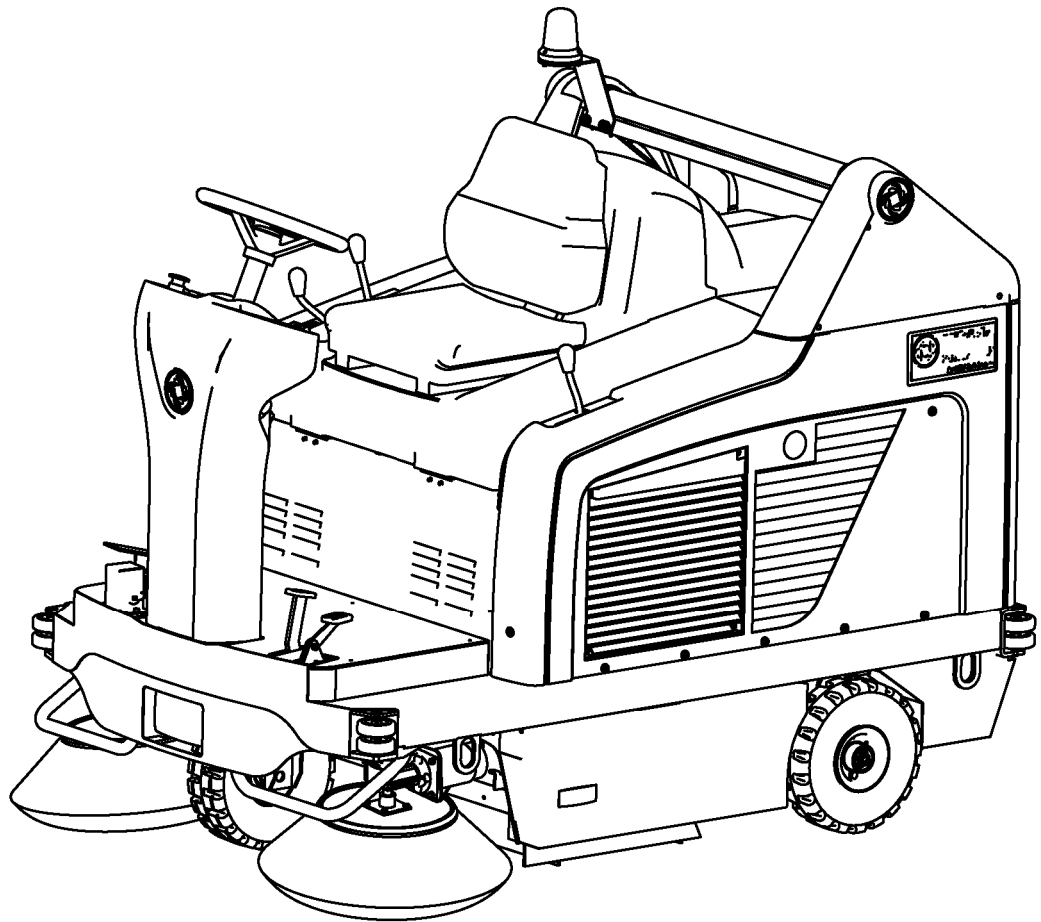


Terra™ 5200B

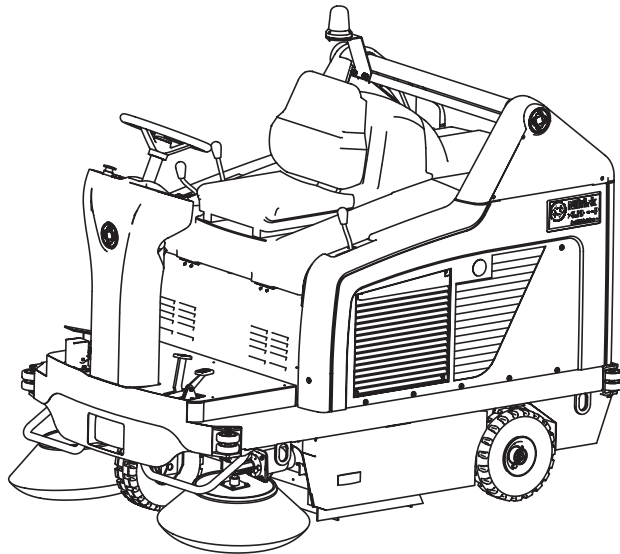


PARTS LIST **Advance Model 908 4508 010**



Advance
by Nilfisk-Advance

146 1997 000(2)2004-08

**DESCRIPTION****PLAN**

GENERAL VIEW	2 - 3
ROTOMOLDED ASSEMBLY	4 - 5
CHASSIS ASSEMBLY	6 - 7
SIDE HATCHS ASSEMBLY	8 - 9
DRIVE ASSEMBLY	10 - 11
STEERING ASSEMBLY	12 - 13
CONTROL PEDALS ASSEMBLY	14 - 15
WASTE CONTAINER ASSEMBLY	16 - 17
FILTER ASSEMBLY	18 - 19
MAIN BROOM ASSEMBLY	20 - 23
RIGHT SIDE BROOM ASSEMBLY	24 - 25
LEFT SIDE BROOM ASSEMBLY	26 - 27
ELECTRIC MOTOR ASSEMBLY	28 - 29
RIGHT CONTROL PANEL ASSEMBLY	30 - 31
LEFT CONTROL PANEL ASSEMBLY	32 - 33
ELECTRICAL COMPONENTS BOX	34 - 35
ELECTRICAL COMPONENTS	36 - 37
HYDRAULIC SYSTEM	38 - 39
ACCESSORIES	40 - 43
WIRING DIAGRAM	44
HYDRAULIC DIAGRAM	45
RECOMMENDED SPARE PARTS	46

WHEN ORDERING PARTS

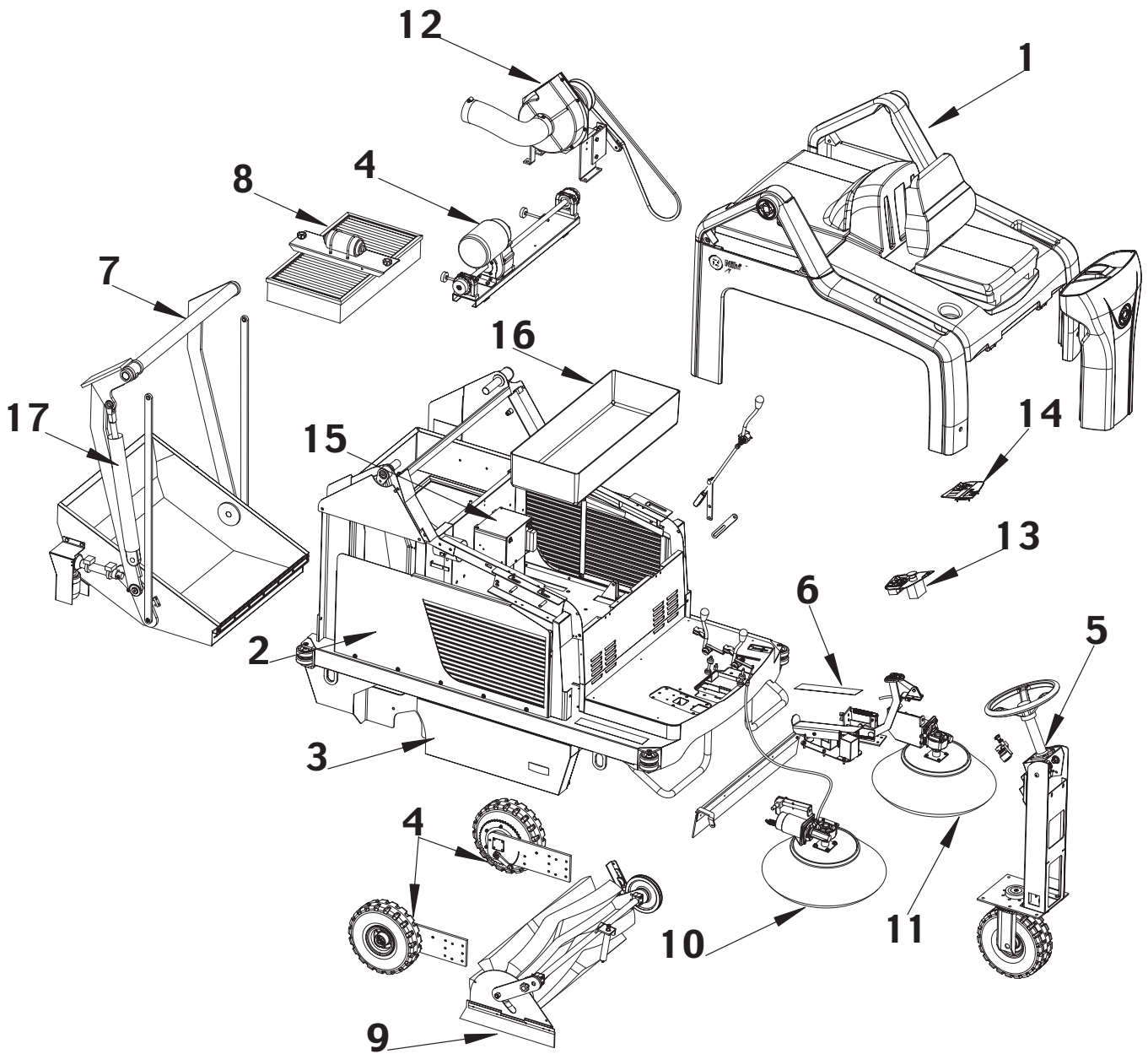
- * Use the 8, 9 or 10 digit numbers from the "Ref. No." columns in this parts list.
- * Specify the model and serial number of the machine.
- * Use the space below to record the model and the serial number for future reference.

Model _____ Serial No. _____

**** = Optional**

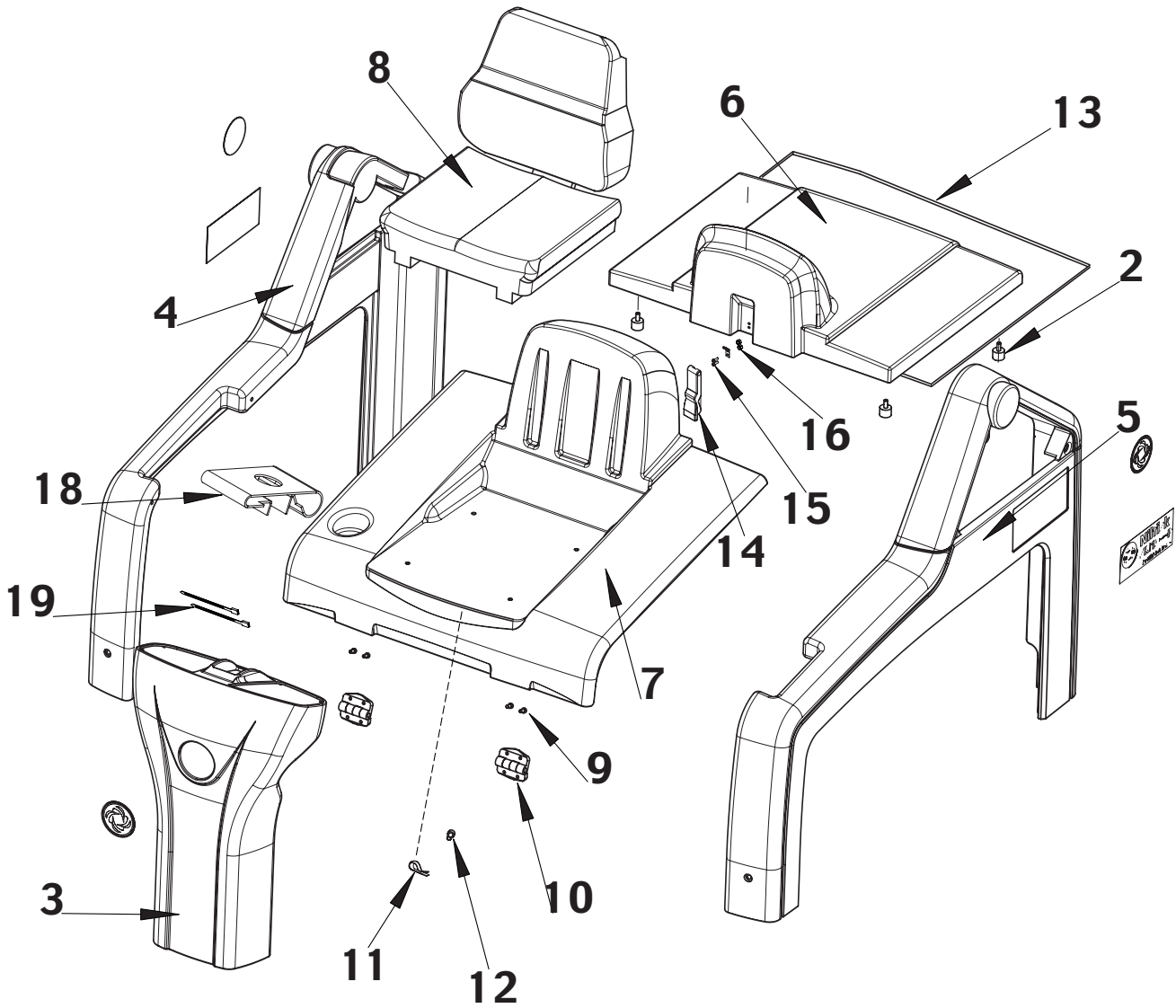
= Modified Item no. or New Item no.

[] = Not shown



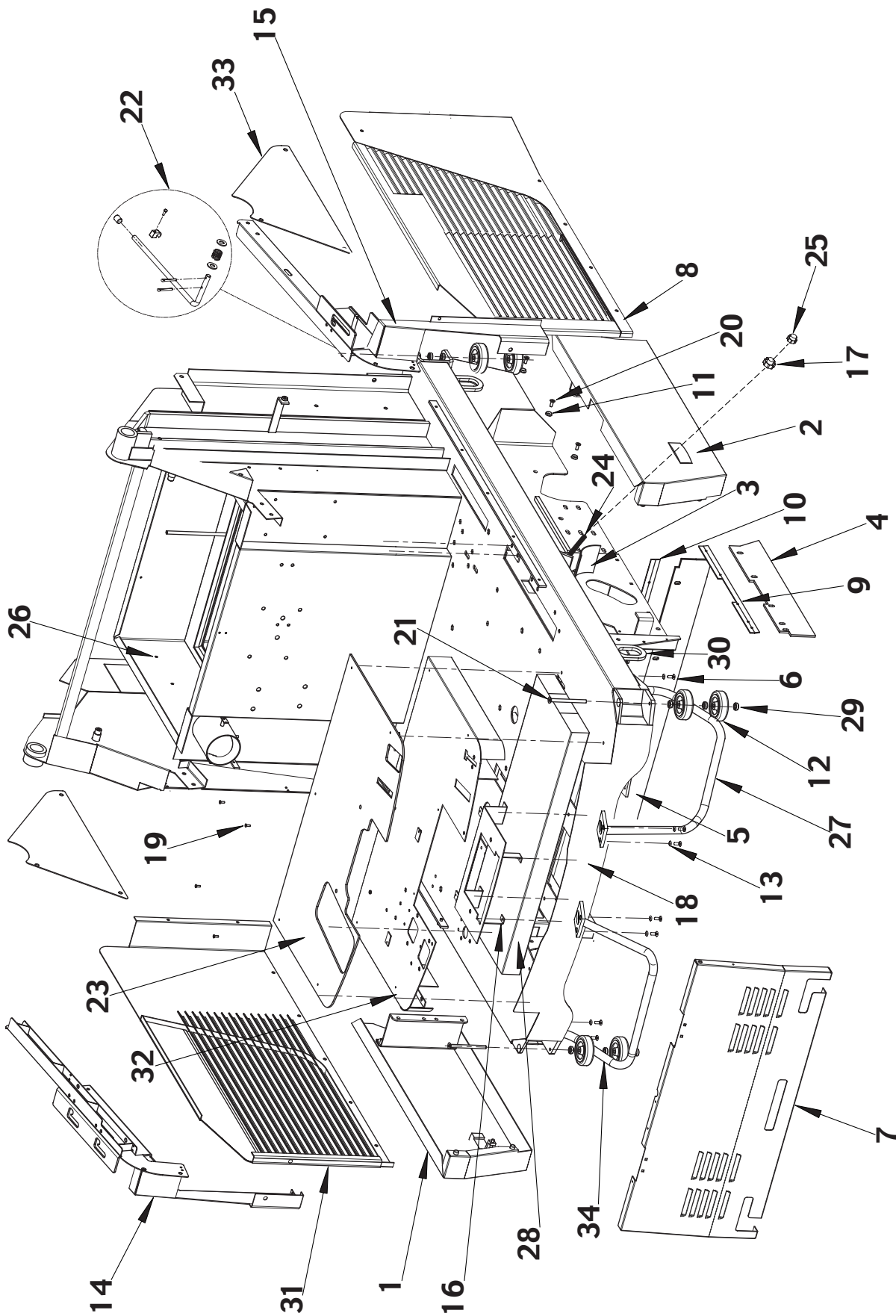
2004-08	GENERAL VIEW			
	Terra™ 5200B			3

Item no.	Ref. No.	Qty	Description
1			Rotomolded assembly
2			Chassis assembly
3			Side hatches assembly
4			Drive assembly
5			Steering assembly
6			Control pedals assembly
7			Waste container assembly
8			Filter assembly
9			Main broom assembly
10			Right side broom assembly
11			Left side broom assembly
12			Electric motor assembly
13			Right control panel assembly
14			Left control panel assembly
15			Electrical components box
16			Electrical components
17			Hydraulic system



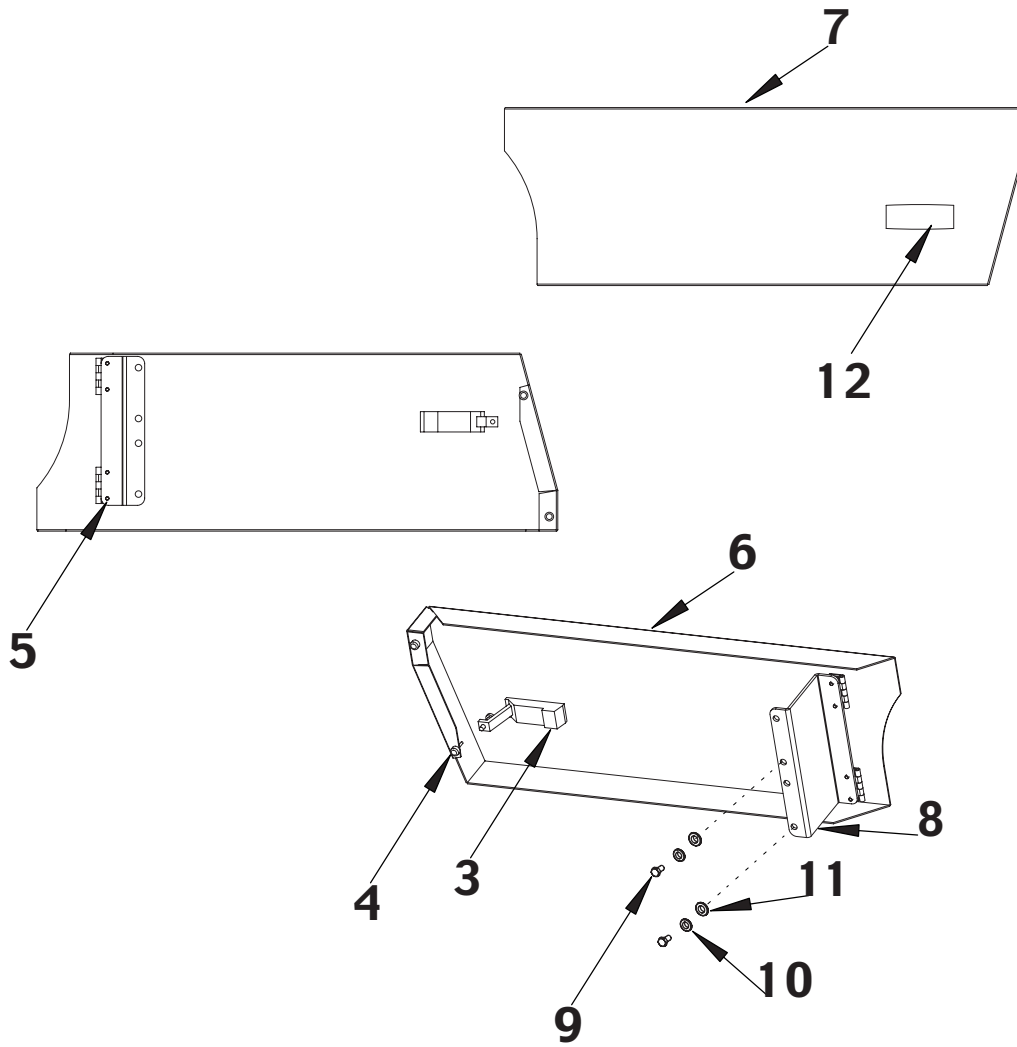
2004-08	ROTOMOLDED ASSEMBLY			
	Terra™ 5200B			5

Item no.	Ref. No.	Qty	Description
[1]	146 2002 000	1	Decals kit Terra™ 5200B
2	146 0495 000	4	Vibration damping
3	146 0919 000	1	Cover front
4	146 0917 000	1	Right side cover
5	146 0918 000	1	Left side cover
6	146 0916 000	1	Rear bonnet complete with gasket
7	146 0915 000	1	Seat holder bonnet
8	145 5975 000	1	Seat w/microswitch
9	xxx xxxx xxx	8	Screw M6x12 (Rotomolded assembly Hardware kit)
10	146 0928 000	2	Bonnet hinge
11#	L08239900	1	Clamp
12	xxxxxxx	1	Screw cyl hd 4x14 thd form (Rotomolded assembly Hardware kit)
13	146 1147 000	1	Gasket
14	146 1263 000	3	Closure
15	145 9125 000	6	Nut self locking
16	145 9291 000	6	Screw hex hd M4
[17]	146 1184 000	1	Rotomolded assembly Hardware kit (9,12)
18	146 1668 000	1	Protection
19	56325594	2	Clamp



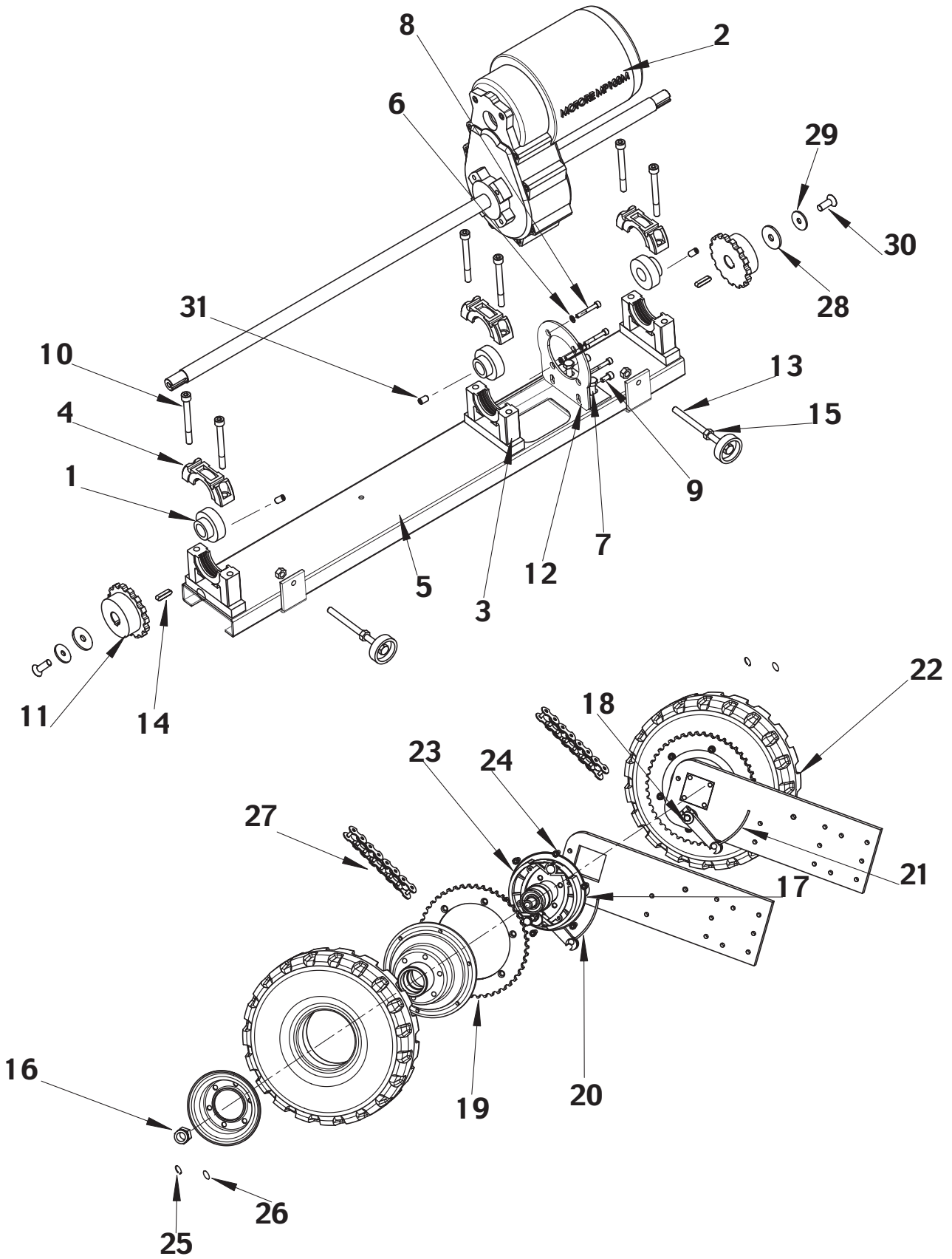
2004-08	CHASSIS ASSEMBLY		
	Terra™ 5200B		7

Item no.	Ref. No.	Qty	Description
1	146 1180 000	1	Right side hatch kit
2	146 1181 000	1	Left side hatch kit
3	146 1055 000	1	Protection
4	145 5927 000	1	Side std skirt
4**	146 1150 000	1	Non marking side skirt
5	145 4654 000	1	Rear std skirt
5**	146 1151 000	1	Non marking rear skirt
6	145 9759 000	8	Screw socket hd M8x16
7	146 0943 000	1	Panel front
8	146 0942 000	1	Panel left side
9	145 5929 000	1	Plate
10	145 4657 000	1	Plate
11	xxx xxxx xxx	11	Washer (Chassis system Hardware kit)
12	146 0945 000	8	Bumper roller
13	145 4512 000	8	Washer split 8
14	146 0947 000	1	Support lever right
15	146 0948 000	1	Support lever left
16	146 0946 000	1	Support foot board
17	146 1037 000	1	Knob
18	146 0836 000	1	Chassis
19	xxx xxxx xxx	4	Screw M4x12 (Chassis system Hardware kit)
20	xxx xxxx xxx	11	Screw M6x16 (Chassis system Hardware kit)
21	xxx xxxx xxx	4	Screw M8x100(Chassis system Hardware kit)
22	146 2164 000	1	Bonnet holder bracket kit
23	146 0952 000	1	Foot board
24	146 1035 000	1	Bar
25	146 1036 000	1	Knob
26	146 0958 000	2	Guide bar
27	146 1140 000	1	Protection left side broom
28	146 1123 000	1	Weight
29	xxx xxxx xxx	12	Spacer (Chassis system Hardware kit)
30	146 0959 000	1	Sheath stop
31	146 0955 000	1	Panel right side
32	146 0956 000	1	Control pedal board
33	146 0954 000	2	Protection
34	146 0944 000	1	Protection right side broom
[35]	146 1185 000	1	Chassis system Hardware kit (11,19,20,21,29)



2004-08	SIDE HATCHS ASSEMBLY			
	Terra™ 5200B			9

Item no.	Ref. No.	Qty	Description
[1]	146 1180 000	1	Right side hatch kit (6, 3, 4, 5, 8, 9, 10, 11)
[2]	146 1181 000	1	Left side hatch kit (7, 4, 5, 8, 9, 11, 10,12)
3	xxx xxxx xxx	1	Closure right side hatch
4	xxx xxxx xxx	4	Protection
5	xxx xxxx xxx	8	Screw hex hd M5x10
6	xxx xxxx xxx	1	Right side hatch
7	xxx xxxx xxx	1	Left side hatch
8	xxx xxxx xxx	2	Support
9	xxx xxxx xxx	4	Screw hex hd M8x16
10	xxxxxxxx	4	Washer flat
11	xxx xxxx xxx	4	Washer split 8
12	xxx xxxx xxx	1	Closure left side hatch



2004-08	DRIVE ASSEMBLY		
	Terra™ 5200B		11

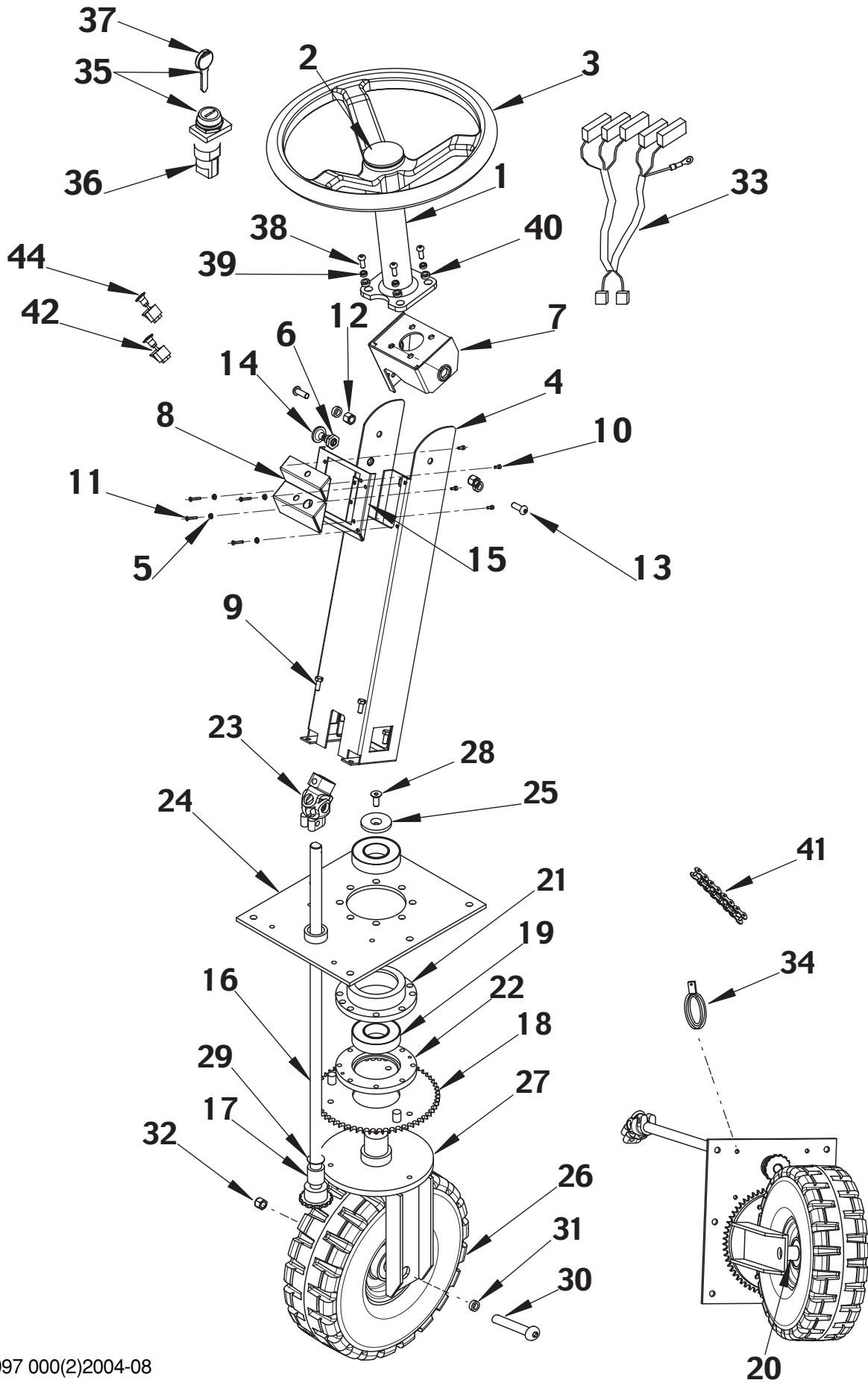
Item no.	Ref. No.	Qty	Description
1	145 1123 000	3	Ball bearing
2	146 1016 000	1	Drive motor
3	145 1976 000	3	Support
4	145 1977 000	3	Support
5	146 0866 000	1	Support
6	xxx xxxx xxx	4	Washer flat 5x10 (Drive assembly Hardware kit)
7	xxx xxxx xxx	2	Screw hex hd 8x20 (Drive assembly Hardware kit)
8	xxx xxxx xxx	4	Screw socket hd 5x35 (Drive assembly Hardware kit)
9	xxx xxxx xxx	2	Screw socket hd 6x12 (Drive assembly Hardware kit)
10	xxx xxxx xxx	6	Screw socket hd 8x80 SS (Drive assembly Hardware kit)
11	146 0924 000	2	Pinion
12	146 0865 000	1	Support
13	146 1128 000	2	Screw differential adjuster
14	xxx xxxx xxx	2	Tab (Drive assembly Hardware kit)
15	145 9123 000	2	Nut hex M8
16	xxx xxxx xxx	2	Nut hex M16 (Drive assembly Hardware kit)
17	146 0879 000	1	Support
18	146 0880 000	1	Support
19	146 0908 000	2	Crown
20	146 1008 000	1	Cable brake right
21	146 1009 000	1	Cable brake left
22	146 1875 000	2	Wheel rear std
22**	146 0330 000	2	Wheel rear non marking
23	145 9756 000	2	Brake rear
24	xxx xxxx xxx	12	Screw M6x16 (Drive assembly Hardware kit)
25	xxx xxxx xxx	2	Washer split 16 (Drive assembly Hardware kit)
26	xxx xxxx xxx	2	Washer flat 16x30 (Drive assembly Hardware kit)
27	146 1114 000	2	Chain 1/2 -5/16 97 pitches
28	xxx xxxx xxx	2	Washer split 8 (Drive assembly Hardware kit)
29	xxx xxxx xxx	2	Washer flat 8x32 (Drive assembly Hardware kit)
30	xxx xxxx xxx	2	Screw hex hd M8x20(Drive assembly Hardware kit)
31	146 0621 000	3	Dowel
[32]	145 9864 000	4	Carbon brush (for motor 146 1016 000)
[33]	146 1186 000	1	Drive assembly Hardware kit (6,7,8,9,10,14,16,24,25,26,28,29,30)

STEERING ASSEMBLY

2004-08

12

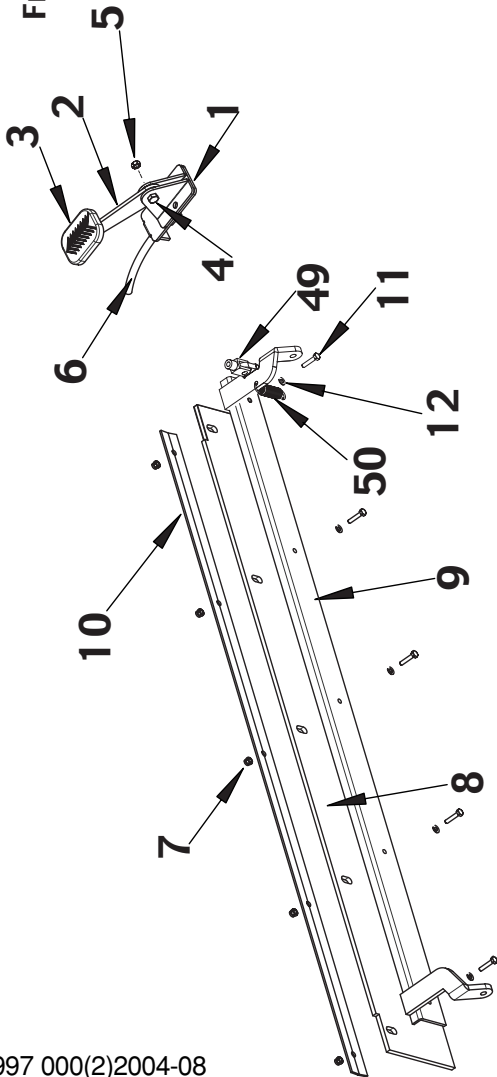
Terra™ 5200B



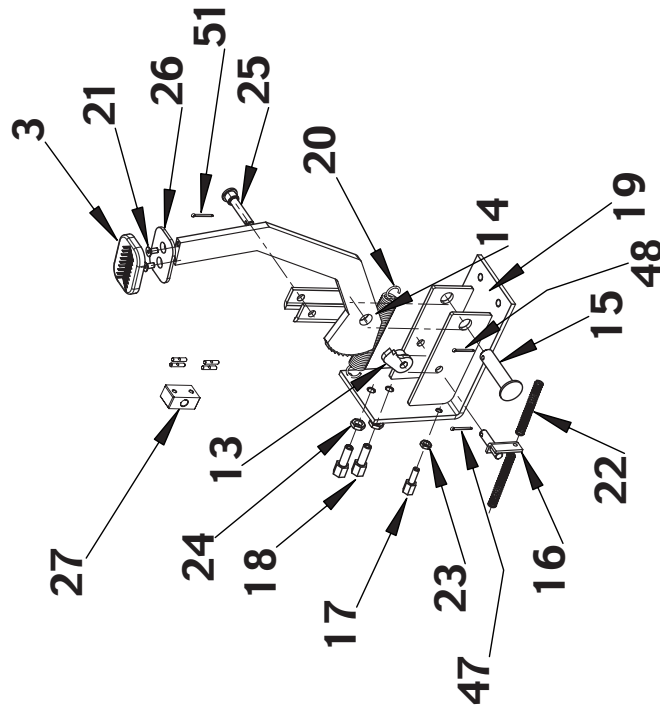
2004-08	STEERING ASSEMBLY			
	Terra™ 5200B			13

Item no.	Ref. No.	Qty	Description
1	145 1946 000	1	Steering column
2	145 8753 000	1	Cap
3	145 1854 000	1	Steering wheel
4	146 0914 000	1	Steering column
5	xxx xxxx xxx	4	Washer (Steering assembly Hardware kit)
6	146 0961 000	1	Joint
7#	146 2030 000	1	Support
8	146 0962 000	1	Support
9	xxx xxxx xxx	4	Screw hex hd 8x20 (Steering assembly Hardware kit)
10	xxx xxxx xxx	4	Screw M4x10 (Steering assembly Hardware kit)
11	xxx xxxx xxx	4	Screw M4x25 (Steering assembly Hardware kit)
12	xxxxxxx	2	Nut M12 (Steering assembly Hardware kit)
13	xxx xxxx xxx	2	Screw M12x30 (Steering assembly Hardware kit)
14	xxx xxxx xxx	2	Spacer (Steering assembly Hardware kit)
15	146 0965 000	1	Support plate
16	146 0960 000	1	Steering shaft
17	145 2626 000	1	Spring
18	145 2714 000	1	Steering crown
19	145 2357 000	2	Ball bearing
20	145 9586 000	2	Spacer
21	145 2586 000	1	Flange
22	145 2587 000	1	Flange
23	145 9619 000	1	Joint
24	145 1847 000	1	Steering shaft support
25	xxx xxxx xxx	1	Washer (Steering assembly Hardware kit)
26	146 1876 000	1	Wheel front std
26**	146 0329 000	1	Wheel front non marking
27	145 5662 000	1	Wheel front support
28	xxx xxxx xxx	1	Screw M8x20 (Steering assembly Hardware kit)
29	145 9191 000	1	Seeger
30	xxx xxxx xxx	1	Screw 20x140 (Steering assembly Hardware kit)
31	xxx xxxx xxx	1	Washer (Steering assembly Hardware kit)
32	xxx xxxx xxx	1	Nut M20 (Steering assembly Hardware kit)
33	146 1992 000	1	Control panel harness
34	145 8881 000	1	Horn
35	145 8883 000	1	Key switch
36	145 8890 000	1	Contact
37	145 6004 000	1	Key (for switch 145 8883 000)
38	xxx xxxx xxx	4	Screw (Steering assembly Hardware kit)
39	xxx xxxx xxx	4	Washer (Steering assembly Hardware kit)
40	xxxxxxx	4	Washer (Steering assembly Hardware kit)
41	145 1784 000	1	Chain 3/8 68 pitches
42	146 0991 000	1	Brake cable
[43]	146 1187 000	1	Steering assembly Hardware kit (5,9,10,11,12,13,14,25,28,30, 31,32,38,39,40)
44	146 0992 000	1	Cable vacuum

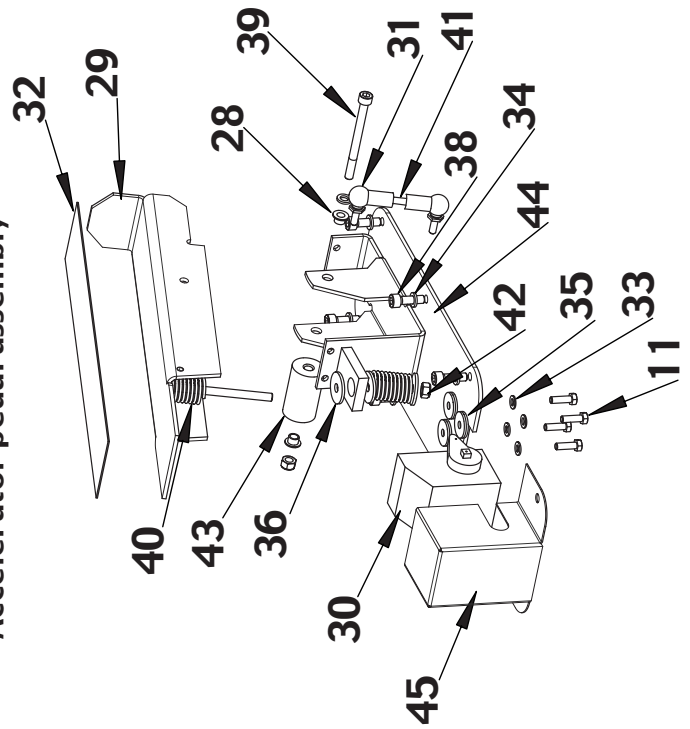
Front skirt raising device



Brake pedal assembly

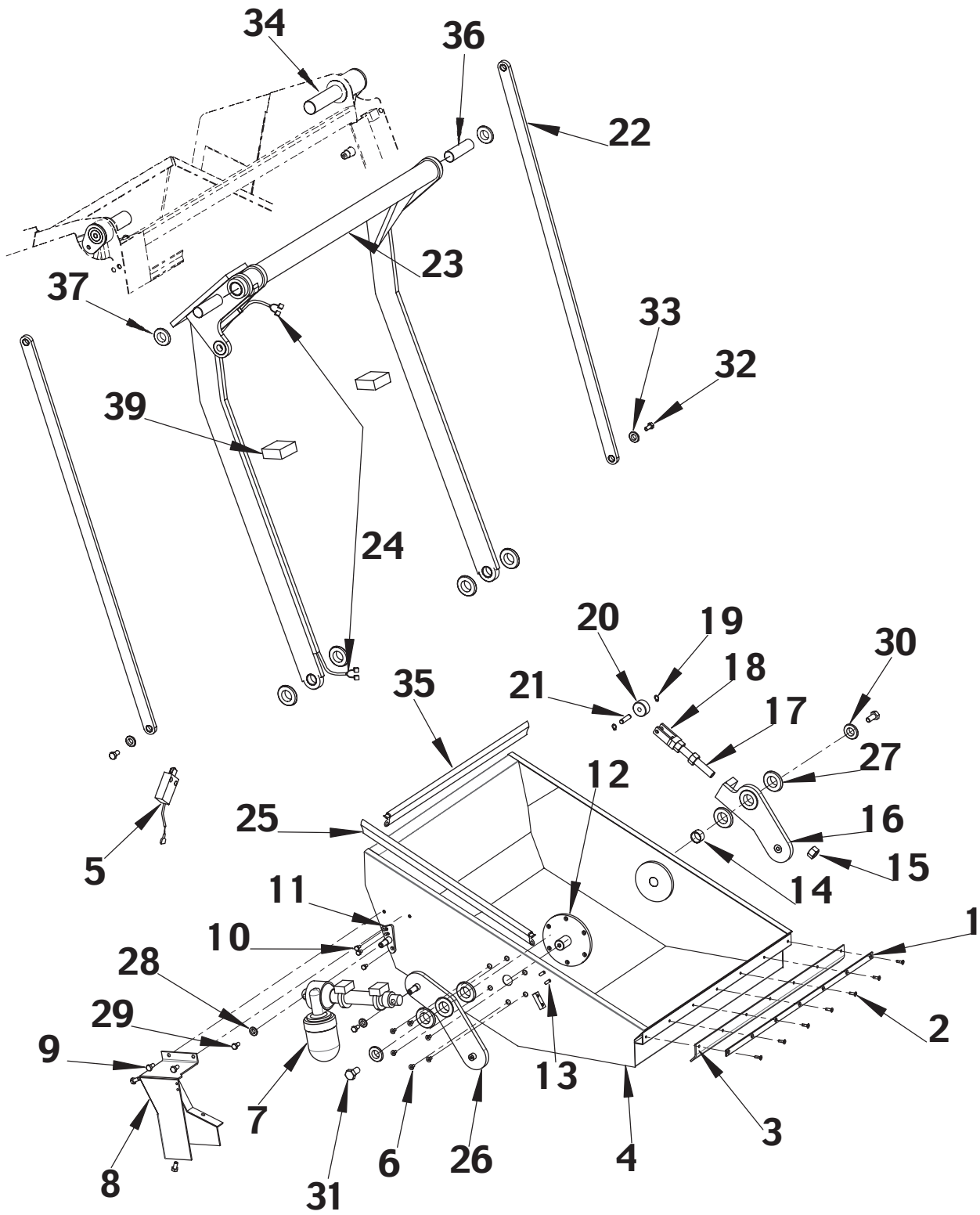


Accelerator pedal assembly



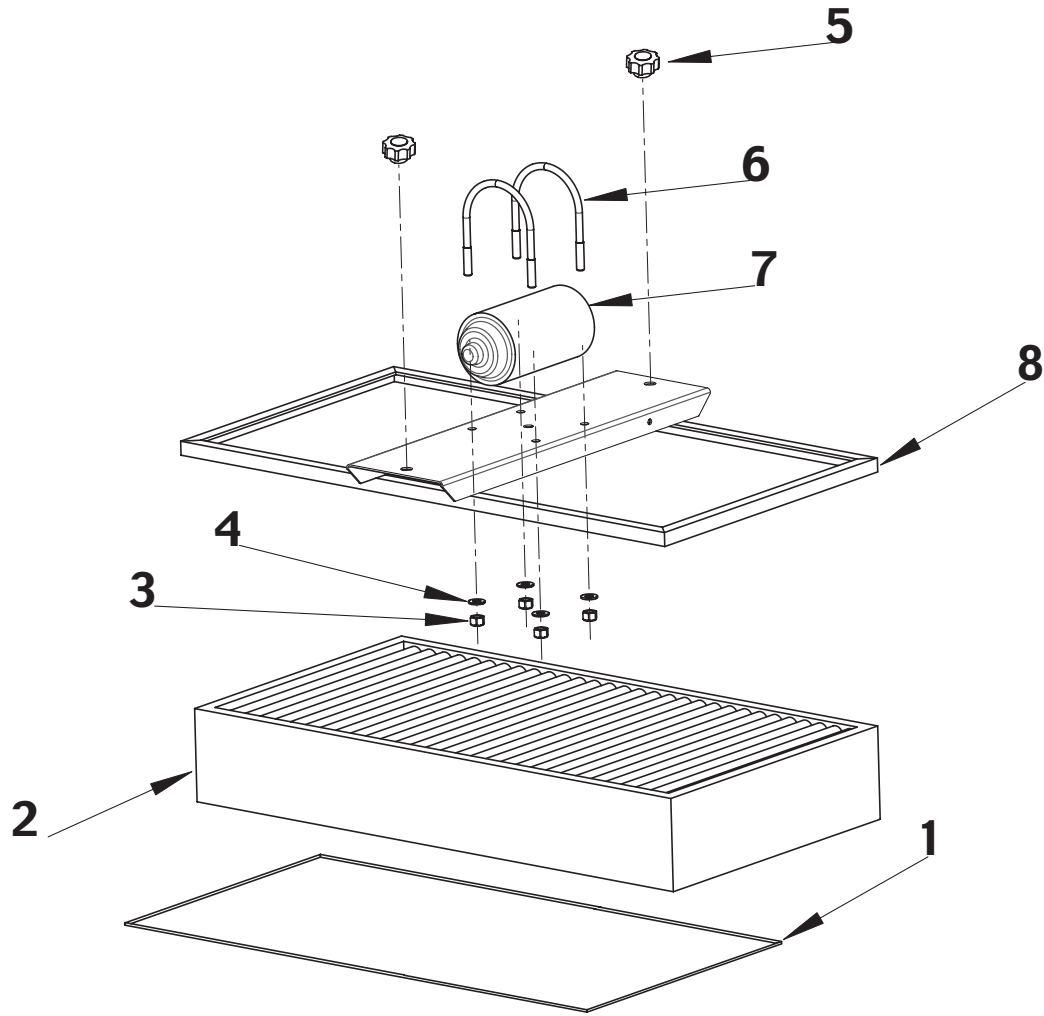
2004-08	CONTROL PEDALS ASSEMBLY		
	Terra™ 5200B		15

Item no.	Ref. No.	Qty	Description
1	145 1839 000	1	Support
2	145 1841 000	1	Skirt raising pedal
3	145 8478 000	2	Cover
4	145 9227 000	1	Screw hex hd M6x20
5	145 9132 000	1	Nut hex self lock M6
6	146 1038 000	1	Skirt raising cable
7	L08603704	5	Nut hex self lock M5
8	145 4653 000	1	Front std skirt
8**	146 1152 000	1	Non marking front skirt
9	145 1872 000	1	Skirt raising device
10	145 4655 000	1	Plate
11	145 4483 000	9	Screw hex hd M5x16
12	145 9144 000	5	Washer flat 4x9
13	xxx xxxx xxx	1	Hook (Brake pedal Hardware kit)
14	146 0982 000	1	Brake pedal
15	xxx xxxx xxx	1	Pin (Brake pedal Hardware kit)
16	xxx xxxx xxx	1	Pin (Brake pedal Hardware kit)
17	xxx xxxx xxx	1	Register (Brake pedal Hardware kit)
18	xxx xxxx xxx	2	Register (Brake pedal Hardware kit)
19	146 0985 000	1	Support
20	146 0986 000	1	Spring
21	145 1297 000	2	Screw
22	145 1935 000	2	Spring
23	xxx xxxx xxx	1	Nut hex M6 low (Brake pedal Hardware kit)
24	xxxxxxxx	2	Nut hex M8 (Brake pedal Hardware kit)
25	xxx xxxx xxx	1	Pin (Brake pedal Hardware kit)
26	146 0989 000	1	Plate
27	xxx xxxx xxx	1	Plate (Brake pedal Hardware kit)
28	xxx xxxx xxx	2	Bushing (Accellerator Pedal Hardware kit)
29	146 0976 000	1	Pedal
30	146 0844 000	1	Drive potentiometer
31	xxx xxxx xxx	2	Articulated head (Accellerator Pedal Hardware kit)
32	146 1154 000	1	Mat
33	xxx xxxx xxx	4	Washer flat 5x10 (Accellerator Pedal Hardware kit)
34	xxx xxxx xxx	7	Washer flat 6x12,5 (Accellerator Pedal Hardware kit)
35	xxx xxxx xxx	8	Washer flat 5x20 (Accellerator Pedal Hardware kit)
36	xxx xxxx xxx	3	Washer flat 6x24 (Accellerator Pedal Hardware kit)
[37]	146 1189 000	1	Accellerator Pedal Hardware kit (28,31,33,34,35,36,38,39, 40,41,42,43)
38	xxx xxxx xxx	6	Screw M6x20 (Accellerator Pedal Hardware kit)
39	xxx xxxx xxx	1	Screw M6x70 (Accellerator Pedal Hardware kit)
40	xxx xxxx xxx	2	Spring (Accellerator Pedal Hardware kit)
41	xxx xxxx xxx	1	Tension rod (Accellerator Pedal Hardware kit)
42	xxxxxxxx	2	Nut hex self lock M6 (Accellerator Pedal Hardware kit)
43	xxx xxxx xxx	1	Spacer (Accellerator Pedal Hardware kit)
44	146 0980 000	1	Support
45	146 1054 000	1	Cover
[46]	146 1188 000	1	Brake pedal Hardware kit (13,15,16,17,18,23,24,25,27)
47#	L08600669	1	Split pin
48	145 8299 000	1	Split pin
49	145 4535 000	1	Fork M6
50	145 9579 000	1	Spring
51	145 9765 000	1	Split pin



2004-08	WASTE CONTAINER ASSEMBLY		
	Terra™ 5200B		17

Item no.	Ref. No.	Qty	Description
1	146 0995 000	1	Plate
2	xxx xxxx xxx	7	Screw (Waste container Hardware kit)
3	146 0882 000	1	Gasket front waste container
4	146 1228 000	1	Waste container
5	146 0848 000	1	Microswitch
6	xxx xxxx xx	6	Screw (Waste container Hardware kit)
7	146 0929 000	1	Actuator
8	146 1229 000	1	Protection
9	xxx xxxx xxx	2	Screw (Waste container Hardware kit)
10	xxx xxxx xxx	3	Screw (Waste container Hardware kit)
11	146 0994 000	1	Pin, jack mot. fixing
12	146 0993 000	1	Pin, waste container
13	xxx xxxx xxx	2	Dowel (Waste container Hardware kit)
14	xxx xxxx xxx	4	Bush (Waste container Hardware kit)
15	xxx xxxx xxx	3	Nut (Waste container Hardware kit)
16	146 0930 000	1	Arm left
17	146 0937 000	1	Bar
18	146 0934 000	1	Fork
19	xxx xxxx xxx	2	Seeger (Waste container Hardware kit)
20	xxx xxxx xxx	1	Spacer (Waste container Hardware kit)
21	xxx xxxx xxx	1	Shaft (Waste container Hardware kit)
22	146 0935 000	2	Lever
23	146 0881 000	1	Support
24	146 1994 000	1	Waste container harness
25	146 1159 000	2	Gasket side waste container
26	146 1227 000	1	Arm right
27	xxx xxxx xxx	8	Spacer (Waste container Hardware kit)
28	xxx xxxx xxx	2	Washer split 6 (Waste container Hardware kit)
29	xxx xxxx xxx	2	Screw M6x20 (Waste container Hardware kit)
30	xxx xxxx xxx	2	Washer flat (Waste container Hardware kit)
31	xxx xxxx xx	2	Screw M8x16 (Waste container Hardware kit)
32	xxx xxxx xxx	2	Screw M6x16 (Waste container Hardware kit)
33	xxx xxxx xxx	2	Washer flat (Waste container Hardware kit)
34	146 1000 000	2	Pin right/ left
35	146 1160 000	1	Gasket rear waste container
36	146 1050 000	4	Bush
37	146 1203 000	2	Spacer
[38]	146 1190 000	1	Waste container Hardware kit (2,6,9,10,13,14,15,19,20,21,27,28,29,30,31,32,33)
39	146 0958 000	1	Bar



2004-08	FILTER ASSEMBLY		
	Terra™ 5200B		19

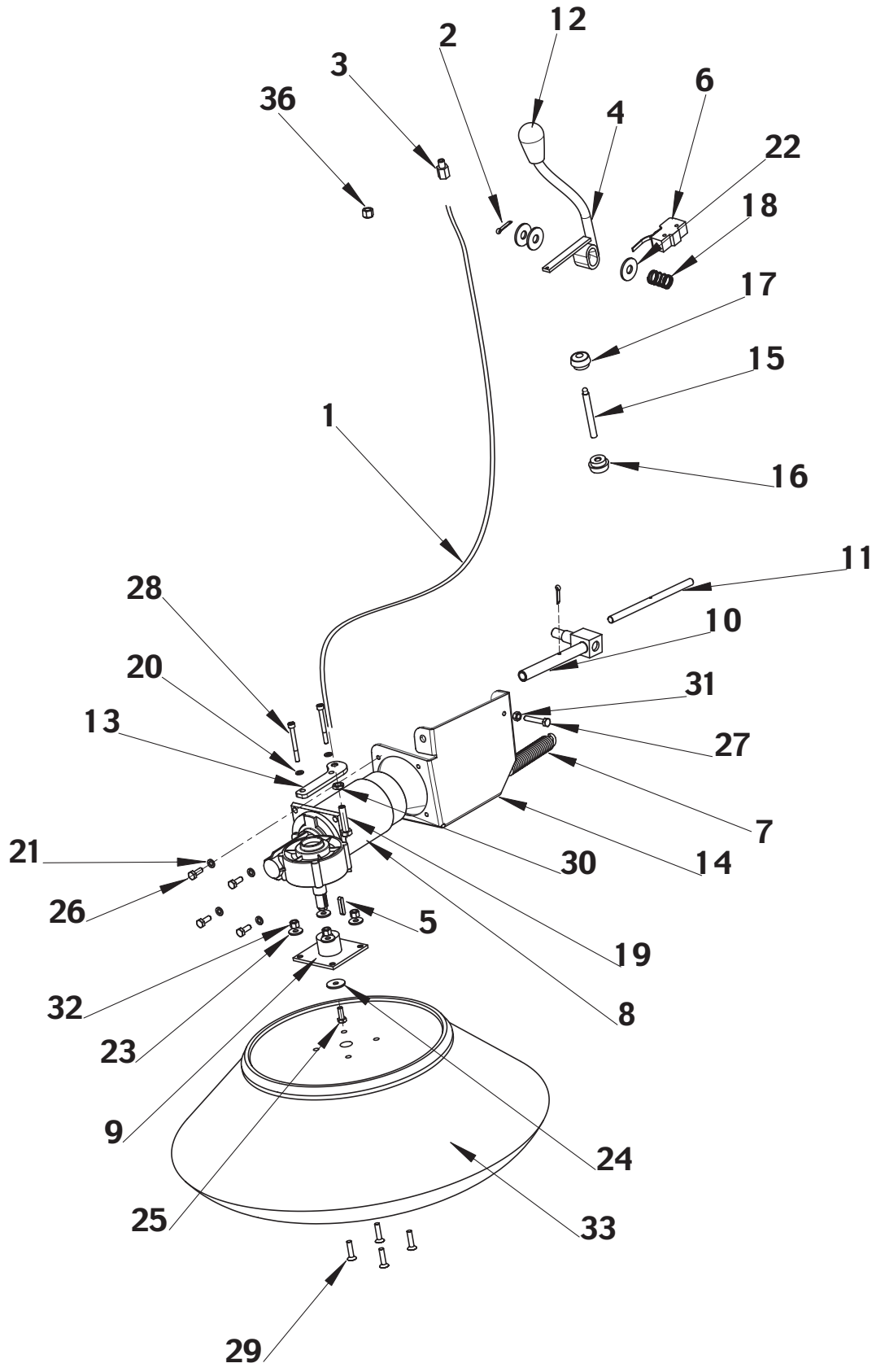
Item no.	Ref. No.	Qty	Description
1	146 1158 000	1	Gasket
2	145 5665 000	1	Paper filter
2**	145 6013 000	1	Polyester filter
2**	146 1202 000	1	Cloth pocket filter kit
3	56003389	4	Nut selflocking M8
4	145 9120 000	4	Washer flat
5	145 5035 000	2	Handwheel
6	146 0072 00	2	Clamp
7	145 5539 000	1	Filter shaker motor
8	146 0904 000	1	Filter frame

2004-08	MAIN BROOM ASSEMBLY		
	Terra™ 5200B		21

Item no.	Ref. No.	Qty	Description
1	146 0873 000	1	Main broom shaft
2	146 0855 000	1	Belt
3	145 1891 000	2	Collar
4	145 2662 000	1	Spacer
5	145 5927 000	1	Side skirt
5**	146 1150 000	1	Non marking side skirt
6	xxx xxxx xxx	1	Seeger (Main broom assembly Hardware kit)
7	xxx xxxx xxx	1	Lever (Main broom adjuster kit)
8	145 0271 000	1	Spring
9	146 0878 000	1	Spring
10	145 0269 000	1	Hub
11	145 5929 000	1	Plate
12	145 1827 000	1	Hatch
13	xxx xxxx xxx	1	Knob
14	146 1018 000	1	Main broom 3 rows ø 300x800 mm PPL std
14**	145 6135 000	1	Main broom natural fibre
14**	145 4963 000	1	Main broom steel mix
15	146 0872 000	1	Pin
16	xxx xxxx xxx	1	Washer flat (Main broom assembly Hardware kit)
17	xxx xxxx xxx	1	Screw (Main broom assembly Hardware kit)
18	xxx xxxx xxx	1	Screw hex hd 8x20 (Main broom assembly Hardware kit)
19	xxx xxxx xxx	1	Screw 12x60 (Main broom assembly Hardware kit)
20	xxx xxxx xxx	4	Screw 6x35 (Main broom assembly Hardware kit)
21	xxx xxxx xxx	4	Screw 6x40 (Main broom assembly Hardware kit)
22	146 0971 000	1	Rod
23	146 0875 000	1	Pulley
24	146 0972 000	1	Pulley
25	xxx xxxx xxx	1	Nut (Main broom assembly Hardware kit)
26	146 0876 000	1	Spacer
27	146 0874 000	1	Pulley
28	146 1041 000	1	Hub
29	xxx xxxx xxx	1	Tab (Main broom assembly Hardware kit)
30	xxx xxxx xxx	1	Key (Main broom assembly Hardware kit)
31	145 0270 000	1	Ball bearing
32	145 8196 000	4	Ball bearing
33	xxx xxxx xxx	2	Nut (Main broom assembly Hardware kit)
34	xxx xxxx xxx	1	Seeger (Main broom assembly Hardware kit)
35	145 9186 000	1	Ball bearing
36	146 0877 000	1	Lever w/pin
37	145 1209 000	1	Belt tensioner roller
38	145 1317 000	1	Split pin
39	145 9666 000	1	Fork
40	146 0997 000	1	Lever main broom
41	146 0975 000	1	Knob
42	145 9769 000	1	Articulated head
43	145 9578 000	1	Spring
44	xxx xxxx xxx	1	Washer flat (Main broom assembly Hardware kit)
45	xxxxxxx	2	Washer flat (Main broom assembly Hardware kit)
46	xxx xxxx xxx	1	Washer flat (Main broom assembly Hardware kit)
47	xxx xxxx xxx	1	Screw hex hd M10x25 (Main broom assembly Hardware kit)
48	146 0996 000	1	Bar
49	xxx xxxx xxx	1	Nut hex self lock M10 (Main broom assembly Hardware kit)

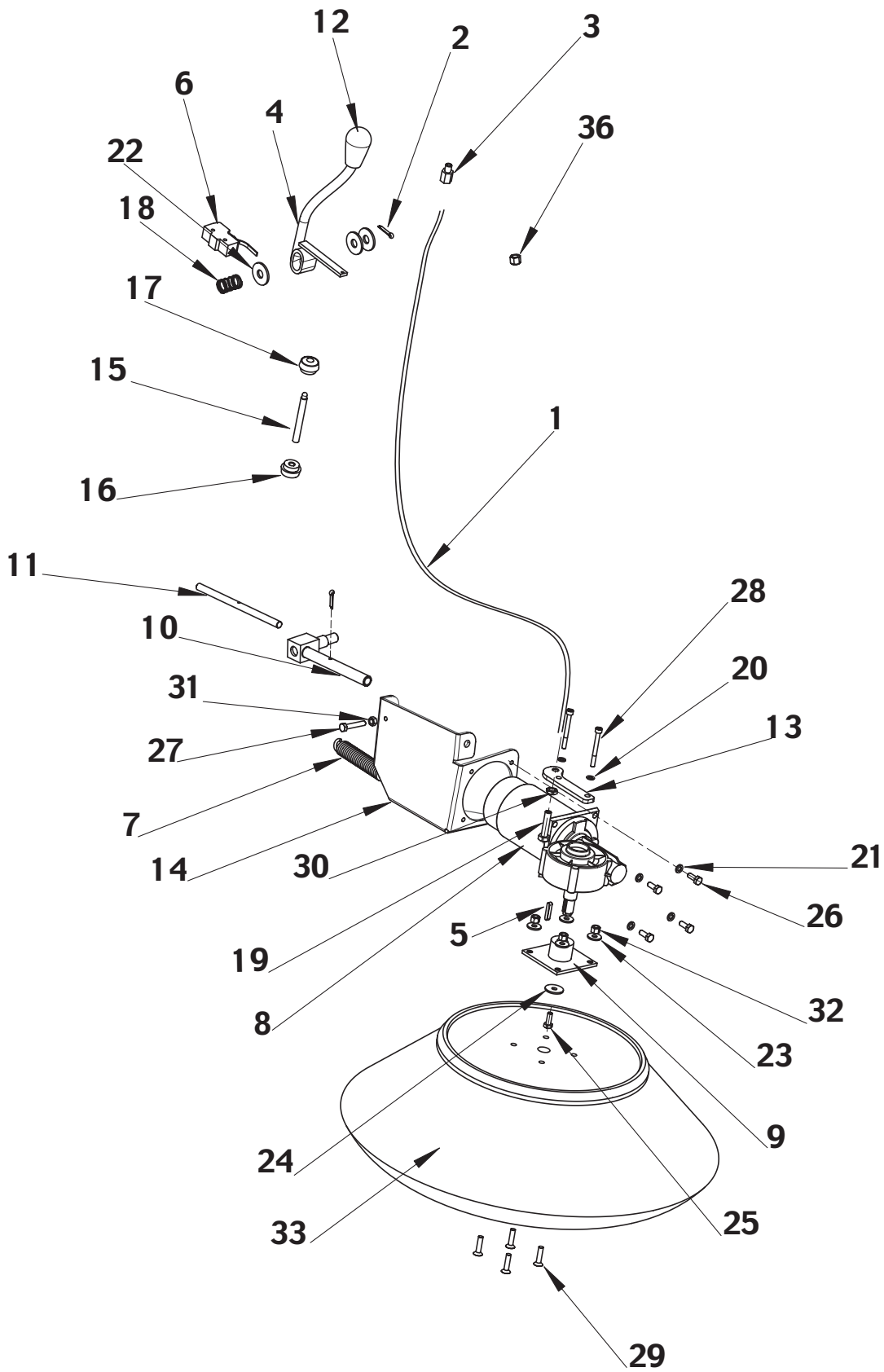
2004-08	MAIN BROOM ASSEMBLY		
	Terra™ 5200B		23

Item no.	Ref. No.	Qty	Description
50	xxx xxxx xxx	2	Nut hex M10 (Main broom assembly Hardware kit)
51	146 0998 000	1	Lever
52	146 0999 000	1	Lever
53	145 9679 000	1	Main broom switch
54	146 0949 000	1	Supporto
55	xxx xxxx xxx	2	Screw M6x20 (Main broom assembly Hardware kit)
56	146 1168 000	1	Gasket
57	145 0262 000	1	Spring
[58]	146 1191 000	1	Main broom assembly Hardware kit (6,16,17,18,19,20,21,25,29,30,33,34,44,45,46,47,49,50,55)
59	xxx xxxx xxx	1	Washer flat (Main broom adjuster kit)
60	xxx xxxx xxx	1	Bush (Main broom adjuster kit)
61	xxx xxxx xxx	2	Screw hex hd M5x30 (Main broom adjuster kit)
62	xxx xxxx xxx	2	Nut hex M5 (Main broom adjuster kit)
63	146 1012 000	1	Belt
[64]	146 1238 000	1	Main broom adjuster kit (7,59,60,61,62)
65	145 2244 000	2	Knob



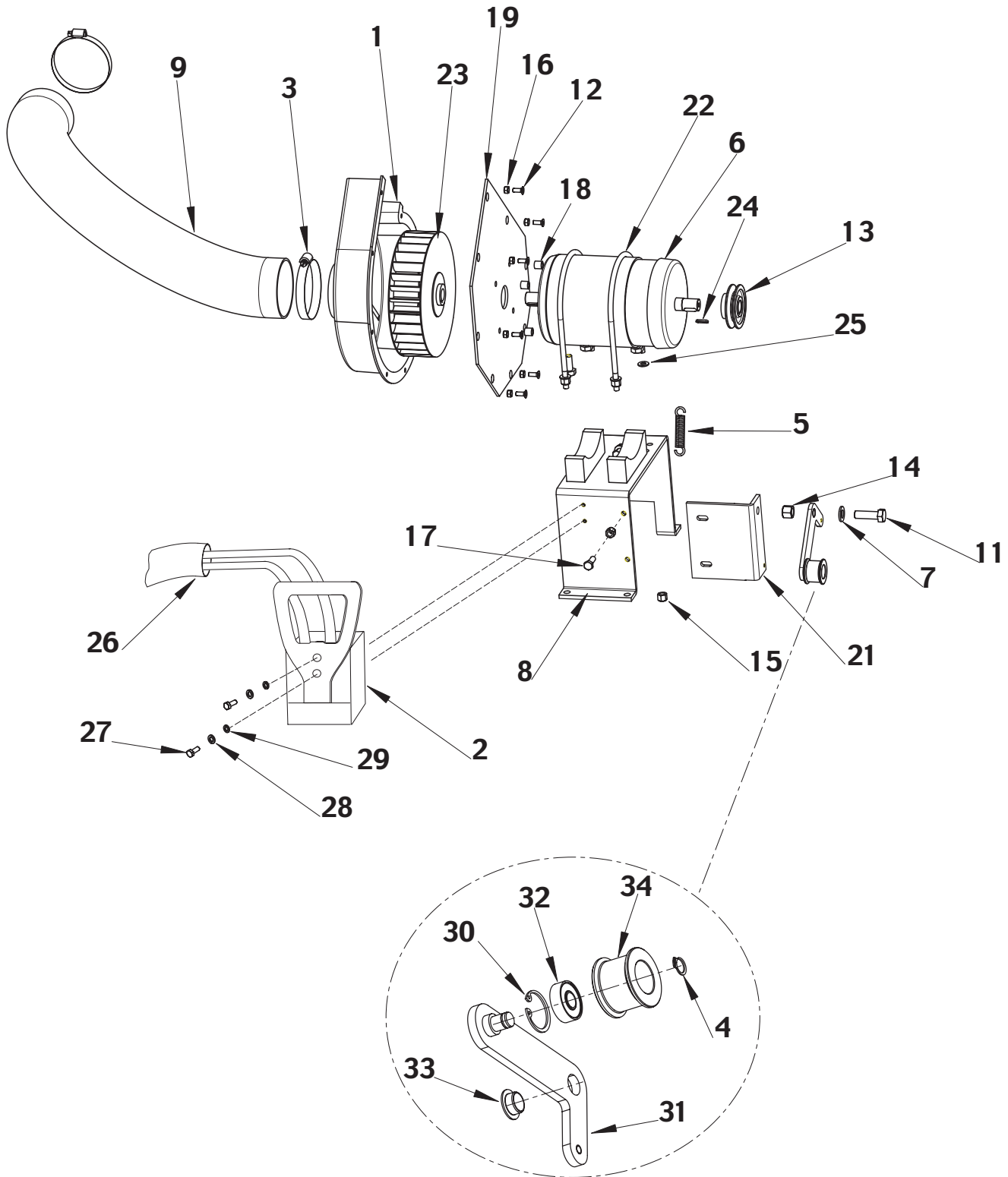
2004-08	RIGHT SIDE BROOM ASSEMBLY		
	Terra™ 5200B		25

Item no.	Ref. No.	Qty	Description
1	146 0927 000	1	Cable
2	145 1317 000	2	Split pin
3	145 9283 000	1	Adjuster
4	146 0926 000	1	Lever
5	xxx xxxx xxx	1	Tab (Side broom hardware kit)
6	145 9679 000	1	Right broom switch
7	146 0986 000	1	Spring
8	146 1039 000	1	Right broom motor
9	145 8316 000	1	Hub
10	145 1792 000	1	Pin
11	145 1951 000	1	Pin
12	146 0975 000	1	Knob
13	145 1831 000	1	Bracket
14	146 0925 000	1	Support
15	145 2432 000	1	Retainer
16	145 9754 000	1	Knob
17	145 9755 000	1	Knob
18	145 9578 000	1	Spring
19	145 0234 000	1	Adjuster
20	xxx xxxx xxx	2	Washer flat (Side broom hardware kit)
21	xxx xxxx xxx	4	Washer flat (Side broom hardware kit)
22	xxx xxxx xxx	3	Washer flat (Side broom hardware kit)
23	xxx xxxx xxx	4	Washer flat (Side broom hardware kit)
24	xxx xxxx xxx	1	Washer flat (Side broom hardware kit)
25	xxx xxxx xxx	1	Screw hex hd 6x20 (Side broom hardware kit)
26	xxx xxxx xxx	4	Screw hex hd 6x16 (Side broom hardware kit)
27	xxx xxxx xxx	1	Screw hex hd 6x35 (Side broom hardware kit)
28	xxx xxxx xxx	2	Screw 5x50 (Side broom hardware kit)
29	xxx xxxx xxx	4	Screw 6x25 (Side broom hardware kit)
30	xxx xxxx xxx	1	Nut M8 (Side broom hardware kit)
31	xxx xxxx xxx	1	Nut M6 (Side broom hardware kit)
32	xxx xxxx xxx	4	Nut M6 (Side broom hardware kit)
33	146 1025 000	1	Side broom 3 rows ø 280x500 mm PPL std
33**	146 1148 000	1	Side broom natural fibre
33**	146 1149 000	1	Side broom steel mix
[34]	145 5125 000	2	Carbon brush (for right broom motor 146 1039 000)
[35]	146 1192 000	1	Side broom hardware kit (5,20,21,22,23,24,25,26,27,28,29, 30,31,32,,36)
36	xxx xxxx xxx	1	Nut hex M8



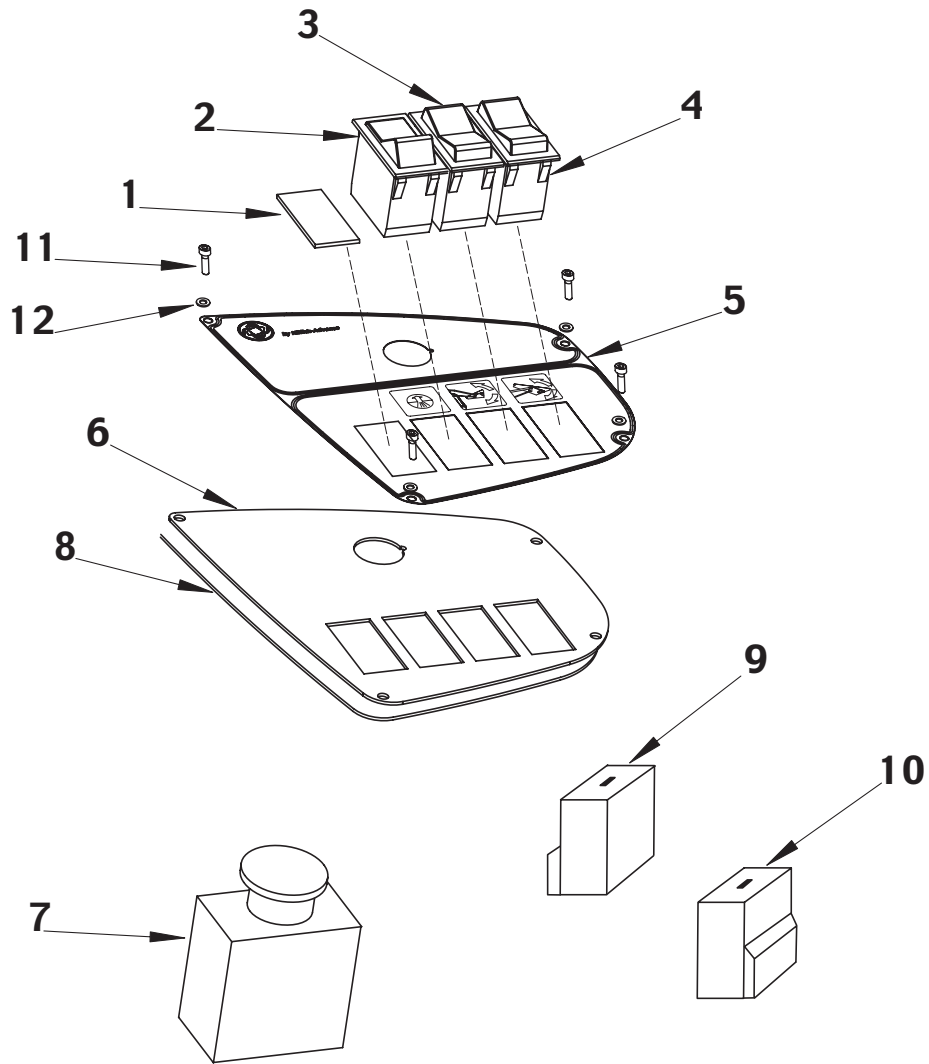
2004-08	LEFT SIDE BROOM ASSEMBLY		
	Terra™ 5200B		27

Item no.	Ref. No.	Qty	Description
1	146 1133 000	1	Cable
2	145 1317 000	2	Split pin
3	145 9283 000	1	Adjuster
4	146 1132 000	1	Lever
5	xxx xxxx xxx	1	Tab (Side broom hardware kit)
6	145 9679 000	1	Left broom switch
7	146 0986 000	1	Spring
8	146 1135 000	1	Left broom motor
9	145 8316 000	1	Hub
10	145 1792 000	1	Pin
11	145 1951 000	1	Pin
12	146 0975 000	1	Knob
13	145 1831 000	1	Bracket
14	146 1131 000	1	Support
15	145 2432 000	1	Retainer
16	145 9754 000	1	Knob
17	145 9755 000	1	Knob
18	145 9578 000	1	Spring
19	145 0234 000	1	Adjuster
20	xxx xxxx xxx	2	Washer flat (Side broom hardware kit)
21	xxx xxxx xxx	4	Washer flat (Side broom hardware kit)
22	xxx xxxx xxx	3	Washer flat (Side broom hardware kit)
23	xxx xxxx xxx	4	Washer flat (Side broom hardware kit)
24	xxx xxxx xxx	1	Washer flat (Side broom hardware kit)
25	xxx xxxx xxx	1	Screw hex hd 6x16 (Side broom hardware kit)
26	xxx xxxx xxx	4	Screw hex hd 6x16 (Side broom hardware kit)
27	xxx xxxx xxx	1	Screw hex hd 6x35 (Side broom hardware kit)
28	xxx xxxx xxx	2	Screw 5x50 (Side broom hardware kit)
29	xxx xxxx xxx	4	Screw 6x25 (Side broom hardware kit)
30	xxx xxxx xxx	1	Nut M8 (Side broom hardware kit)
31	xxx xxxx xxx	1	Nut M6 (Side broom hardware kit)
32	xxx xxxx xxx	4	Nut M6 (Side broom hardware kit)
33	146 1025 000	1	Side broom 3 rows ø 280x500 mm PPL std
33**	146 1148 000	1	Side broom natural fibre
33**	146 1149 000	1	Side broom steel mix
[34]	145 5125 000	2	Carbon brush (for left broom motor 146 1135 000)
[35]	146 1192 000	1	Side broom Hardware kit (5,20,21,22,23,24,25,26,27,28,29, 30,31,32,36)
36	xxx xxxx xxx	1	Nut hex M8



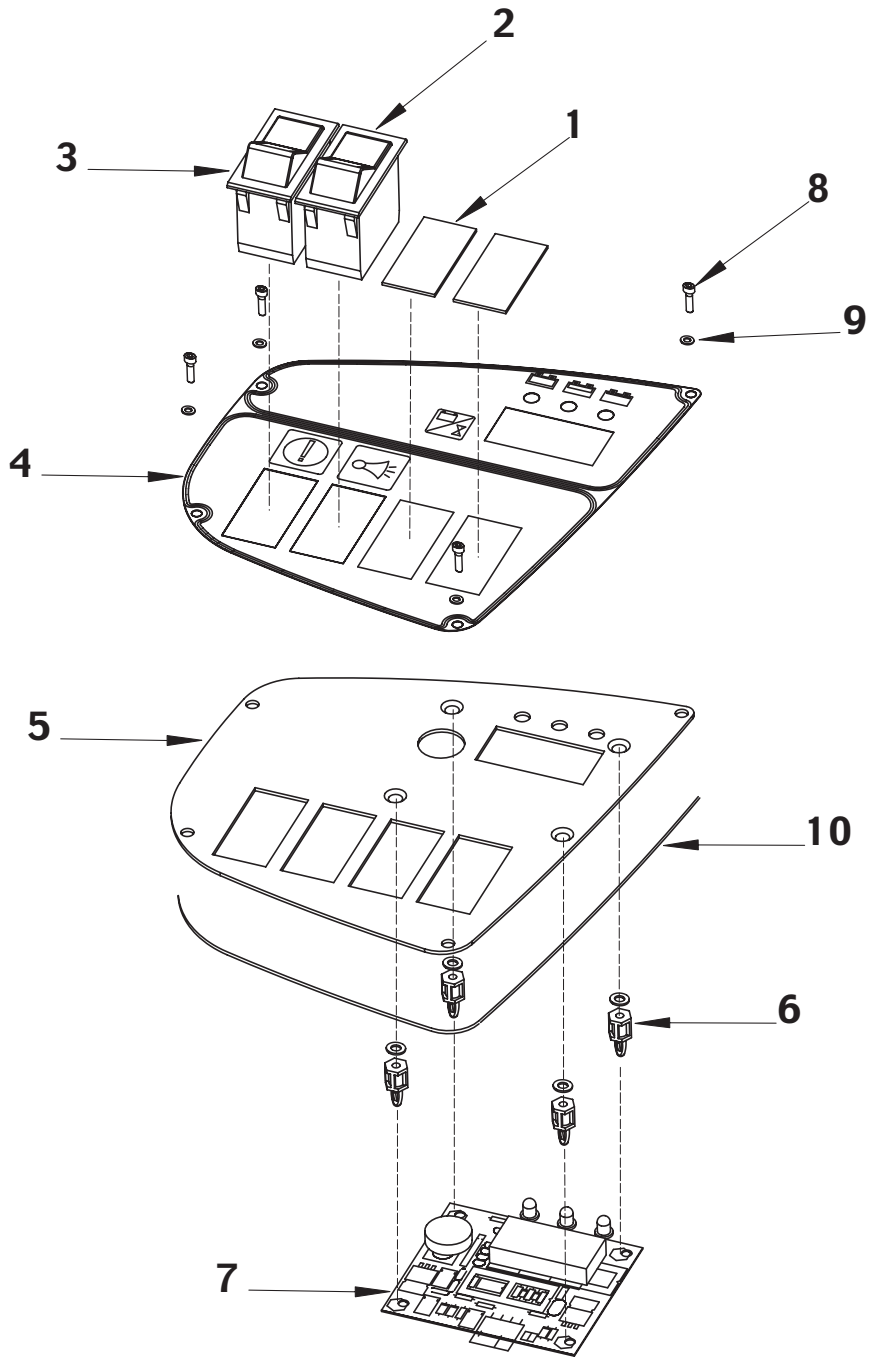
2004-08	ELECTRIC MOTOR ASSEMBLY		
	Terra™ 5200B		29

Item no.	Ref. No.	Qty	Description
1	146 0966 000	1	Scroll fan
2	145 6063 000	1	Battery connector
3	146 1056 000	2	Clamp
4	xxx xxxx xxx	1	Seeger (Electric motor Hardware kit)
5	145 9991 000	1	Spring
6	146 0835 000	1	Main broom motor
7	xxx xxxx xxx	1	Washer flat (Electric motor Hardware kit)
8	146 0867 000	1	Support
9	146 1013 000	1	Hose inlet
11	xxx xxxx xxx	1	Screw hex hd M10x40 (Electric motor Hardware kit)
12	xxx xxxx xxx	8	Screw (Electric motor Hardware kit)
13	146 1014 000	1	Pulley
14	xxxxxxx	1	Nut (Electric motor Hardware kit)
15	xxx xxxx xxx	6	Nut (Electric motor Hardware kit)
16	xxxxxxx	8	Nut (Electric motor Hardware kit)
17	xxx xxxx xxx	2	Screw hex hd 8x16 (Electric motor Hardware kit)
18	xxx xxxx xxx	4	Spacer (Electric motor Hardware kit)
19	146 0968 000	1	Plate
21	146 0868 000	1	Belt tensioner support
22	146 0970 000	2	Collar motor fixing
23	146 0869 000	1	Fan
24	145 9773 000	2	Key
25	xxxxxxx	6	Washer flat (Electric motor Hardware kit)
26	146 1990 000	1	Battery harness
27	xxx xxxx xx	2	Screw 6x30 (Electric motor Hardware kit)
28	xxx xxxx xxx	2	Washer (Electric motor Hardware kit)
29	xxxxxxx	2	Washer flat (Electric motor Hardware kit)
30	xxx xxxx xxx	1	Seeger (Electric motor Hardware kit)
31	146 0871 000	1	Belt tensioner arm
32	145 9186 000	1	Ball bearing
33	146 0883 000	1	Ball bearing
34	145 1209 000	1	Belt tensioner roller
[35]	145 5042 000	4	Carbon brush (for motor 146 0835 000)
[36]	146 1193 000	1	Electric motor Hardware kit (4,7,11,12,14,15,16,17,18,25, 27,28,29,30)



2004-08	RIGHT CONTROL PANEL ASSEMBLY		
	Terra™ 5200B		31

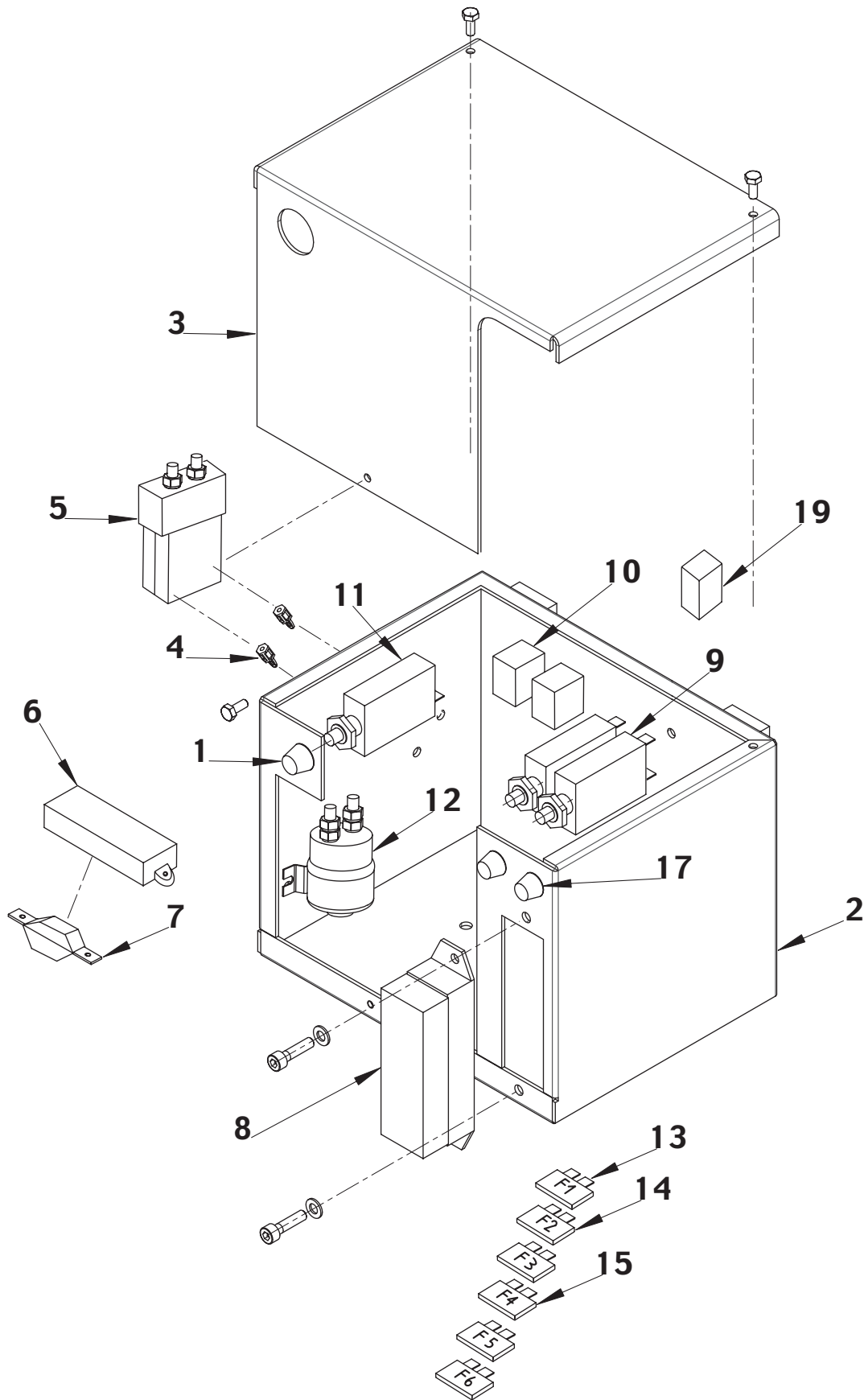
Item no.	Ref. No.	Qty	Description
1	146 1284 000	1	Cap
2	145 8188 000	1	Filfer shaker switch
3	146 0846 000	1	Waste container lifting switch
4	146 0847 000	1	Waste container rotating switch
5	146 1023 000	1	Decal control panel
6	146 1021 000	1	Control panel right
7	146 1727 000	1	Emergency stop switch
8	146 1230 000	1	Gasket
9	145 8890 000	1	Contact
10	146 1728 000	1	Contact
11	145 0572 000	4	Screw M4x10 SS
12	145 9144 000	4	Washer flat 4x9



2004-08	LEFT CONTROL PANEL ASSEMBLY		
	Terra™ 5200B		33

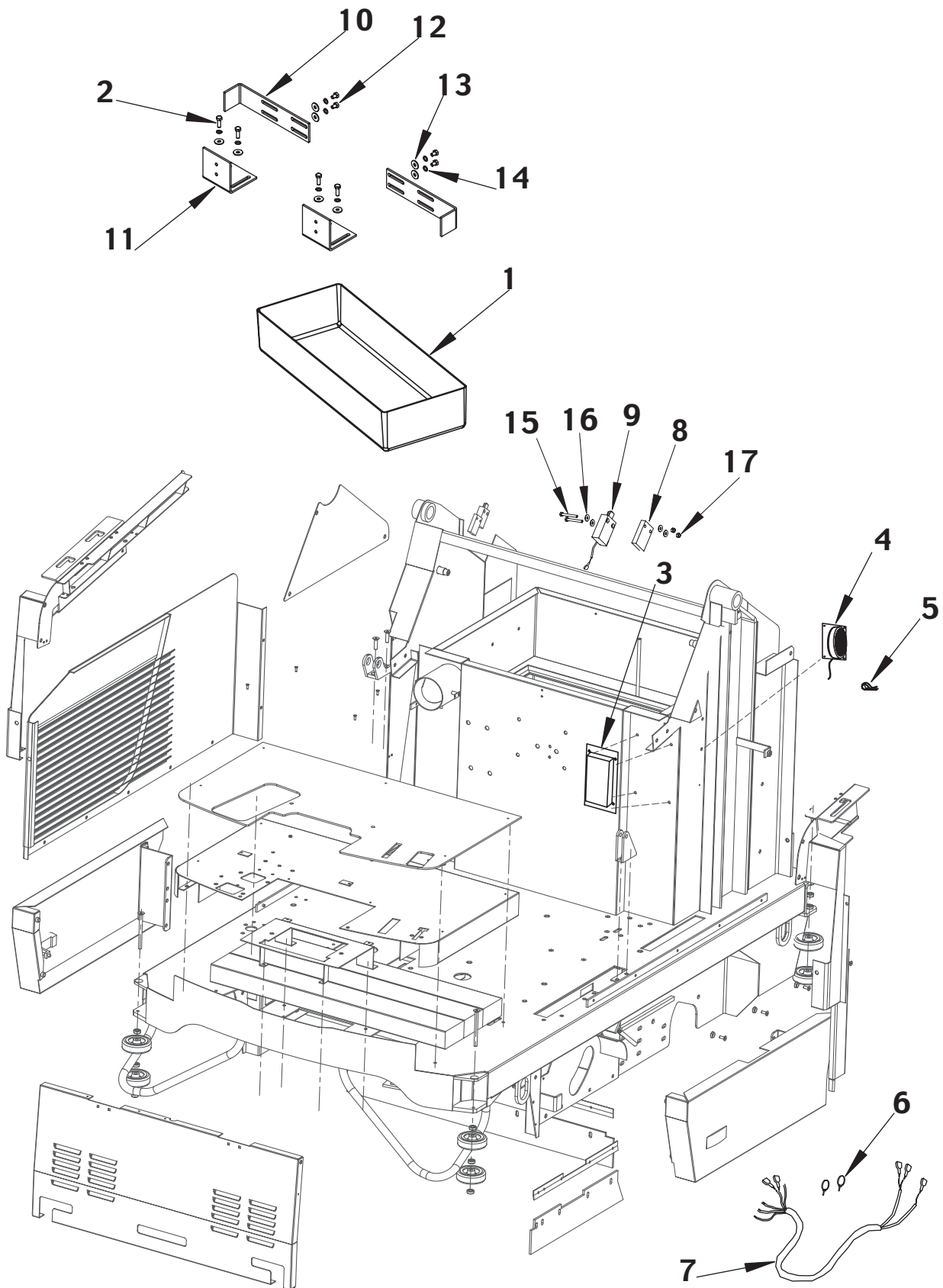
Item no.	Ref. No.	Qty	Description
-----------------	-----------------	------------	--------------------

1	146 1284 000	2	Cap
2	146 0845 000	1	Waste container safety switch
3	145 8180 000	1	Horn switch
4	146 1024 000	1	Decal control panel
5	146 1022 000	1	Control panel left
6	146 0657 000	4	Spacer
7	146 1721 000	1	Display board
8	145 0572 000	4	Screw M4x10
9	145 9144 000	8	Washer flat 4x9
10	146 1231 000	1	Gasket



2004-08	ELECTRICAL COMPONENTS BOX		
	Terra™ 5200B		35

Item no.	Ref. No.	Qty	Description
1	146 0842 000	1	Cap, fuse protection
2	146 1002 000	1	Box, electrical components
3	146 1004 000	1	Cover
4	146 0627 000	2	Spacer
5	146 0839 000	1	Line electromagnetic switch
6	146 1169 000	1	Fuse holder
7	146 0840 000	1	Main fuse 150A
8	146 1170 000	1	Fuse holder
9	56325757	2	Fuse 10A
10	145 3712 000	2	Electromagnetic switch
11	146 0843 000	1	Circuit breaker 50A
12	145 0300 000	1	Main broom electromagnetic switch
13	145 9853 000	2	Fuse 15A(F1-F4)
14	146 1776 000	1	Fuse 20A (F2)
15	146 0068 00	3	Fuse 10A(F3-F5-F6)
[16]	146 1993 000	1	Harness,electrical components box
17	146 0841 000	1	Cap, fuse protection
[18]	146 1194 000	1	Kit screws internal/external electrical components box
19	146 1646 000	1	Seat electromagnetic switch

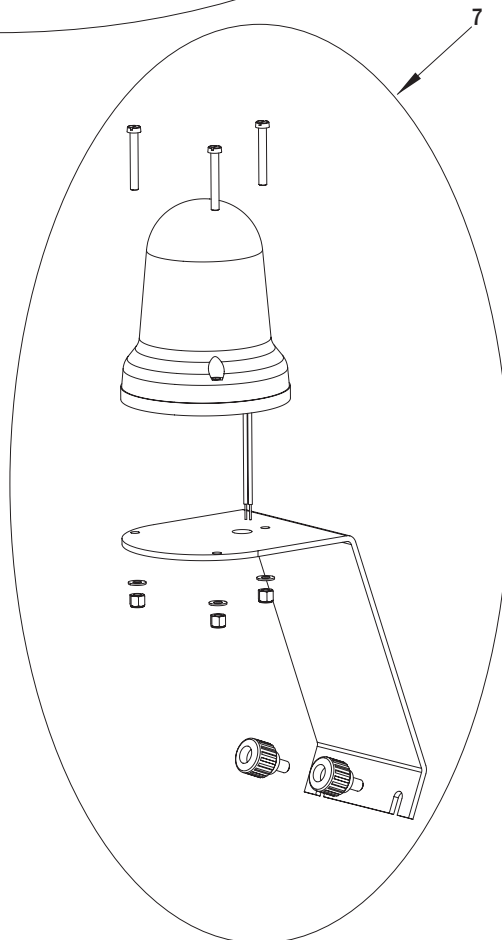
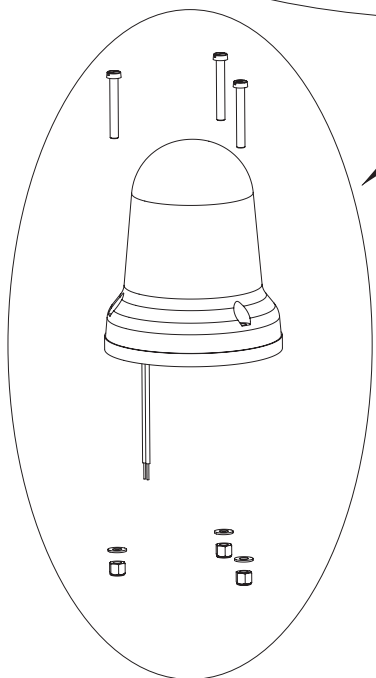
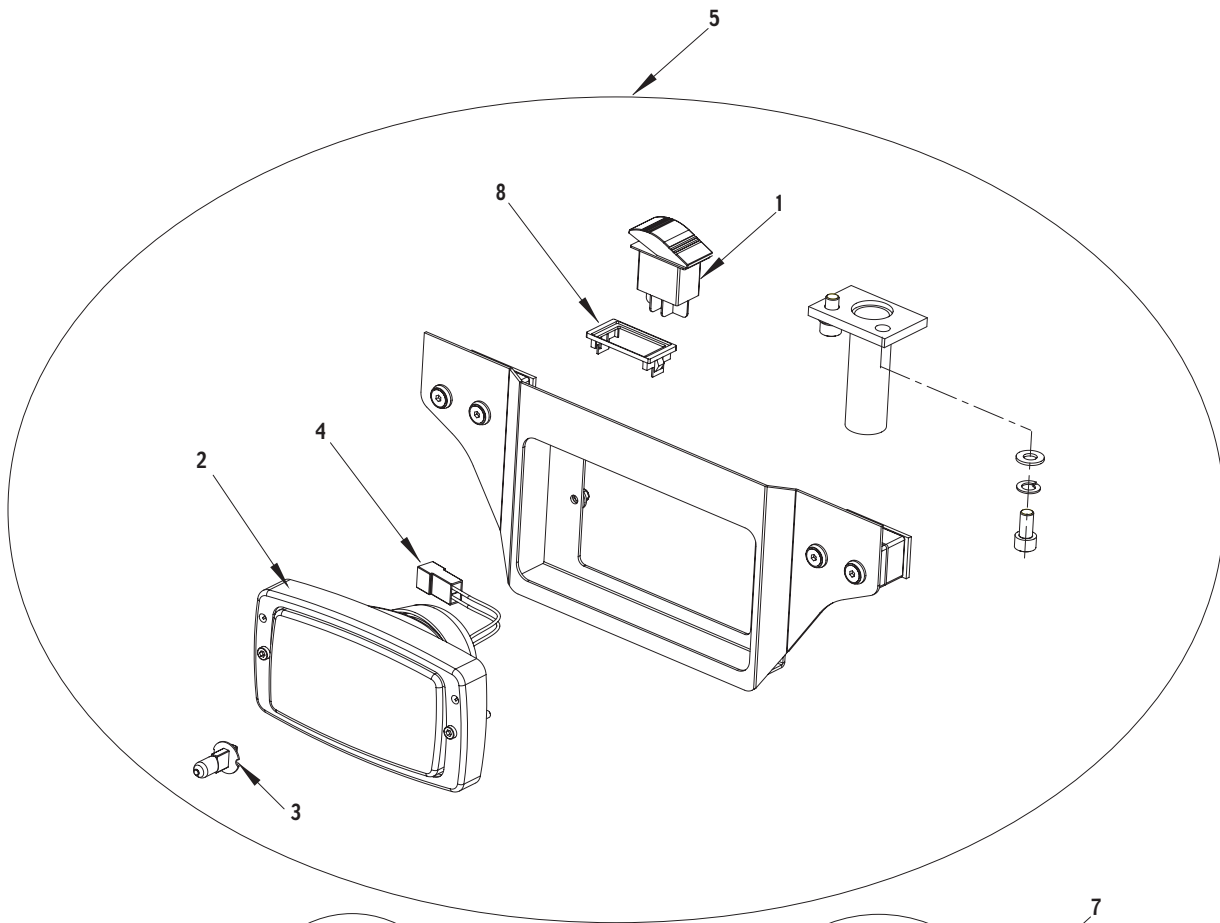


2004-08	ELECTRICAL COMPONENTS		
	Terra™ 5200B		37

Item no.	Ref. No.	Qty	Description
1	145 6126 000	1	Battery container
2	145 9116 000	4	Screw hex hd M8x25
3	146 0838 000	1	Drive electronic board
4	145 5817 000	1	Buzzer
5#	L08239900	1	Clamp
6	146 0987 000	1	Clamp
7	146 1991 000	1	Harness, main
8	146 0848 000	1	Microswitch
9	146 1130 000	1	Support
10	146 1182 000	2	Bracket upper battery fixing
11	146 1178 000	2	Bracket lower battery fixing
12	146 0115 00	4	Screw hex hd M8x12
13	145 9213 000	8	Washer flat 8x24
14	145 4512 000	8	Washer split 8
15	146 2163 000	2	Screw hex hd M10x70
16	145 9237 000	4	Washer flat
17	145 5743 000	2	Nut hex low M4

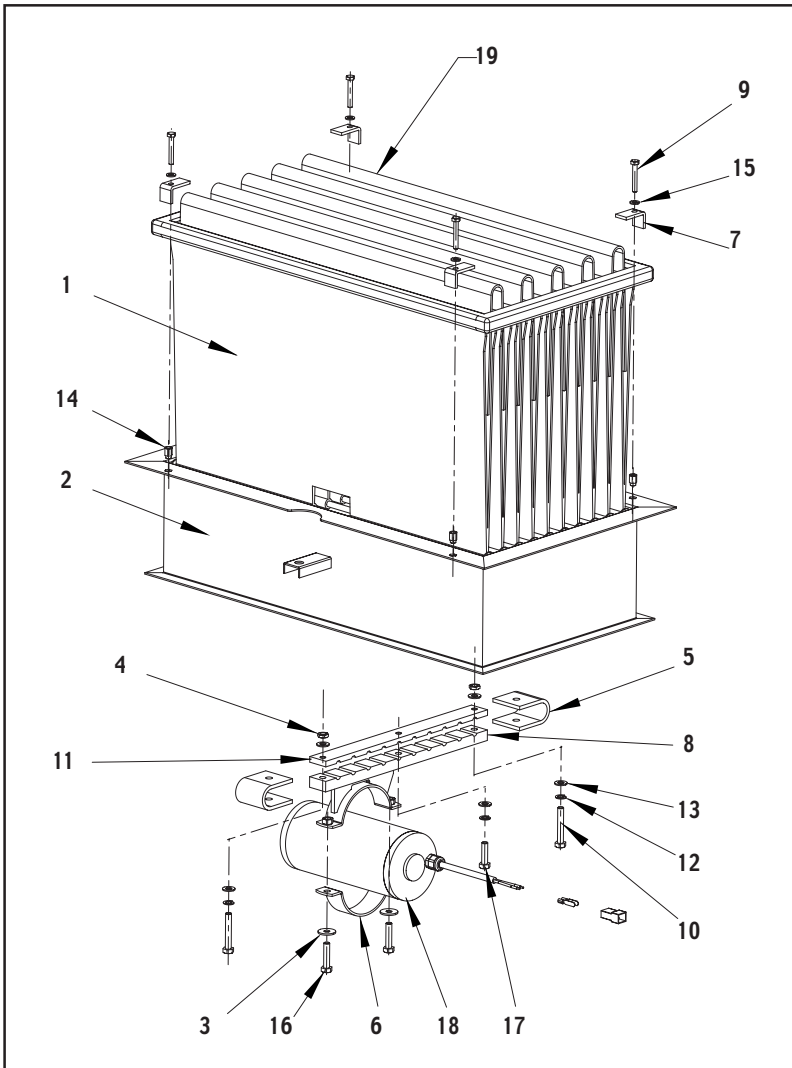
2004-08	HYDRAULIC SYSTEM		
	Terra™ 5200B		39

Item no.	Ref. No.	Qty	Description
1	145 9356 000	2	Retaining ring
2	146 1044 000	1	Pin
3	146 0934 000	1	Fork
4	146 0885 000	1	Dumper Lifting Cylinder
5	145 5744 000	1	Nut M16
6	145 1261 000	2	Washer
7	146 1171 000	1	Screw 16x36
8	146 1042 000	2	Hydraulic hose
9	146 0921 000	1	Pump hydraulic
10	145 1322 000	2	Screw M8x30
11	146 0884 000	1	Support
12	146 1868 000	1	Cap

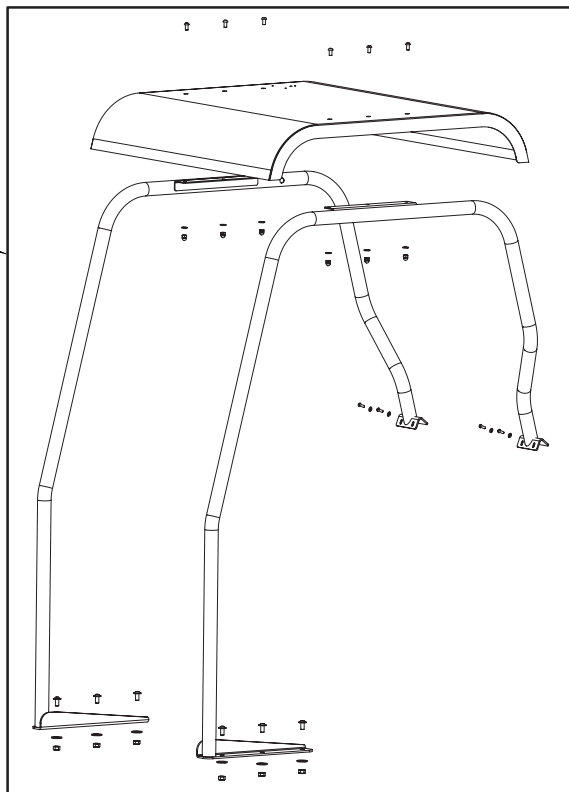


2004-08	ACCESSORIES		
	Terra™ 5200B		41

Item no.	Ref. No.	Qty	Description
1	146 2244 000	1	Switch (Kit working light)
2	146 1196 000	1	Working light (Kit working light)
3	146 1198 000	1	Lamp (Kit working light)
4	146 2179 000	1	Harness (Kit working light)
5	146 2245 000	1	Kit working light (1,2,3,4,8)
6	146 2098 000	1	Kit light beacon for over head guard
7	146 1157 000	1	Kit light beacon
8	146 2089 000	1	Switch support (Kit working light)

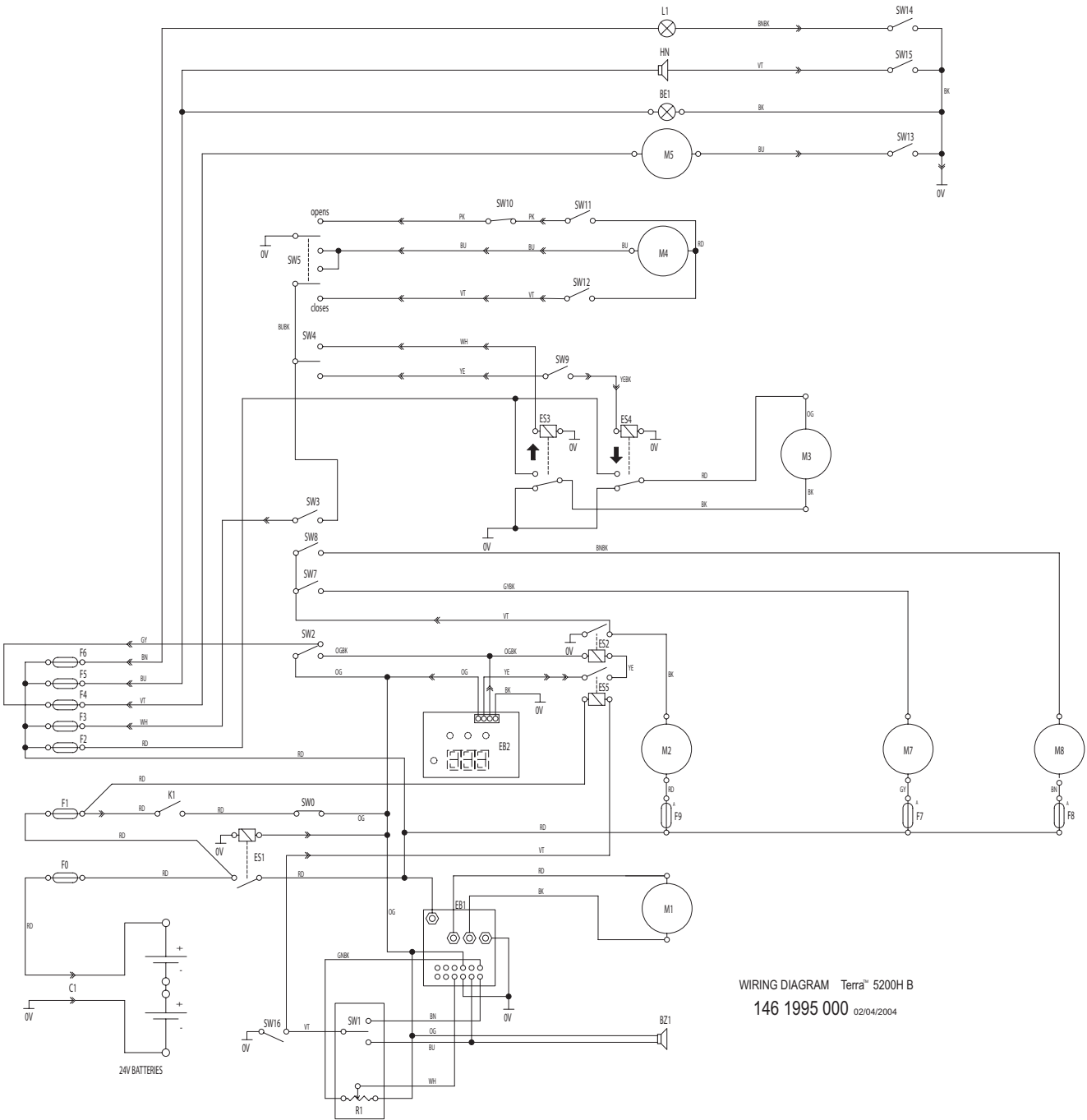


20



2004-08	ACCESSORIES		
	Terra™ 5200B		43

Item no.	Ref. No.	Qty	Description
1	xxx xxxx xxx	1	Cloth pocket filter (Cloth pocket filter kit)
2	xxx xxxx xxx	1	Support (Cloth pocket filter kit)
3	xxxxxxxx	2	Washer 8x24 (Cloth pocket filter kit)
4	xxxxxxxx	2	Nut hex low M8 (Cloth pocket filter kit)
5	xxx xxxx xxx	2	Rubber (Cloth pocket filter kit)
6	xxx xxxx xxx	1	Collar (Cloth pocket filter kit)
7	xxx xxxx xxx	4	Bracket, filter fixing (Cloth pocket filter kit)
8	xxx xxxx xxx	1	Support (Cloth pocket filter kit)
9	xxx xxxx xxx	4	Screw hex hd M6x40 (Cloth pocket filter kit)
10	xxx xxxx xxx	2	Screw hex hd M8x50 (Cloth pocket filter kit)
11	xxx xxxx xxx	1	Plate (Cloth pocket filter kit)
12	xxx xxxx xxx	3	Washer split 8 (Cloth pocket filter kit)
13	xxx xxxx xxx	5	Washer flat 8x17
14	xxx xxxx xxx	4	Insert hex M6 (Cloth pocket filter kit)
15	xxx xxxx xxx	4	Washer flat 6x12,5 (Cloth pocket filter kit)
16	xxx xxxx xxx	2	Screw hex hd M8x35 (Cloth pocket filter kit)
17	xxx xxxx xxx	1	Screw hex hd M8x30 (Cloth pocket filter kit)
18	146 2269 000	1	Kit filter shaker w/terminals and connector (Cloth pocket filter kit)
19	146 1674 000	1	Separator (Cloth pocket filter kit)
20	146 1202 000	1	Cloth pocket filter kit (1,2,3,4,5,6,7,8,9,10,11,12,13,14,15,16,17,18,19)
21	146 2093 000	1	Kit over head guard

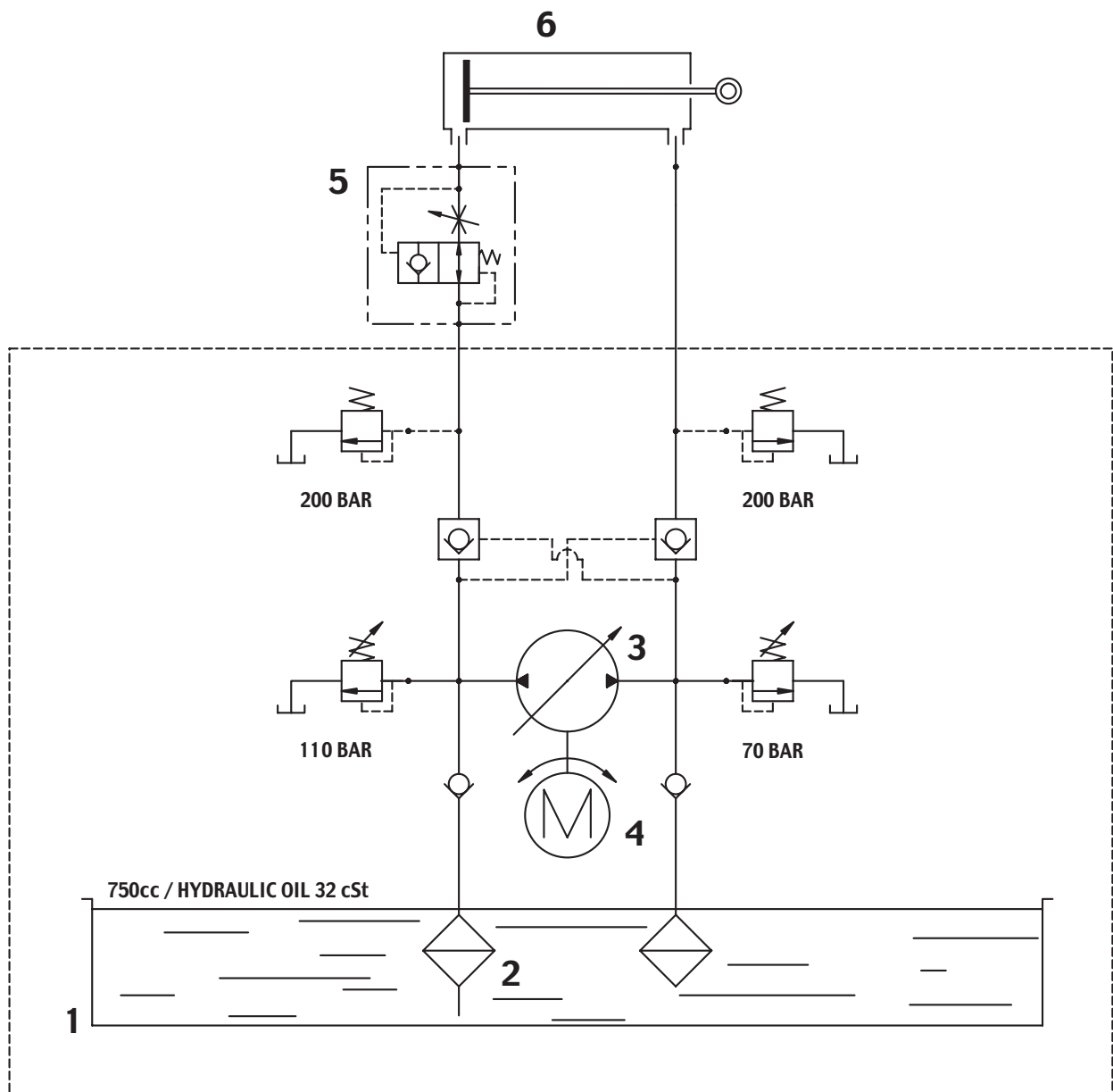


WIRING DIAGRAM Terra™ 5200H B
146 1995 000 02/04/2004

COLORS CODES	COMPONENTS	COMPONENTS
BK BLACK nero	BE1 BEACON (OPT) 146 11 55 000 incl. 146 11 57 000 + 146 2088 000	M3 HYDRAULIC PUMP 146 0921 000
BU BLUE azzurro	BZ1 BUZZER 145 5817 000	M4 ACTUATOR 146 0929 000
BN BROWN marrone	C1 BATTERIES CONNECTOR 145 6063 000	M5 FILTER SHAKER MOTOR 145 5539 000
GN GREEN verde	EB1 DRIVE ELECTRONIC BOARD 146 0838 000	M7 RIGHT BROOM MOTOR 146 1039 000
GY GREY grigio	EB2 DISPLAY BOARD 146 1721 000	M8 LEFT BROOM MOTOR 146 1135 000
OG ORANGE arancio	ES1 LINE ELECTROMAGNETIC SWITCH 146 0839 000	RI DRIVE POTENTIOMETER 146 0844 000
PK PINK rosa	ES2 MAIN BROOM ELECTROMAGNETIC SWITCH 145 6930 000	SW0 EMERGENCY STOP SWITCH 146 1727 000 + 146 1728 000
RD RED rosso	ES3 PUMP ELECTROMAGNETIC SWITCH (UP) 145 3712 000	SW1 DRIVE FW-REV MODE SWITCH 146 0844 000
VT VIOLET viola	ES4 PUMP ELECTROMAGNETIC SWITCH (DOWN) 145 3712 000	SW2 MAIN BROOM SWITCH 145 9679 000
WH WHITE bianco	ES5 SEAT ELECTROMAGNETIC SWITCH 146 1646 000	SW3 HOPPER SAFETY SWITCH 146 2087 000
YE YELLOW giallo	F0 MAIN FUSE (150A) 146 0840 000	SW4 HOPPER UP-DOWN SWITCH (146 2088 000)
	F1 KEY FUSE (15A) 145 9853 000	SW5 HOPPER OPEN-CLOSE SWITCH (146 2088 000)
	F2 HYDRAULIC PUMP FUSE (20A) 146 1776 000	SW7 RIGHT BROOM SWITCH 145 9679 000
	F3 WASTE CONTAINER ACTUATOR FUSE (10A) 146 1068 00	SW8 LEFT BROOM SWITCH 145 9679 000
	F4 FILTER SHAKER FUSE (15A) 145 9853 000	SW9 ORIZ. HOPPER MICROSCHWITCH 146 0848 000
	F5 SERVICES FUSE (10A) 146 0068 00	SW10 UP-HOPPER MICROSCHWITCH 146 0848 000
	F6 WORKING LIGHT FUSE (10A)(OPT) 146 0068 00	SW11 OPEN HOPPER MICROSCHWITCH
	F7 RIGHT BROOM CIRCUIT BREAKER (10A) 56325757	SW12 CLOSE HOPPER MICROSCHWITCH
	F8 LEFT BROOM CIRCUIT BREAKER (10A) 56325757	SW13 FILTER SHAKER SWITCH (146 2087 000)
	F9 MAIN BROOM CIRCUIT BREAKER (50A) 146 0843 000	SW14 WORKING LIGHT SWITCH (OPT) 146 2244 000
	HN HORN 145 8881 000	SW15 HORN SWITCH (146 2087 000)
	K1 KEY SWITCH 145 8890 000 + 145 8883 000	SW16 SAFETY SWITCH (included in the seat)
	L1 WORKING LIGHT (OPT) 146 1196 000 + 146 1198 000	
	M1 DRIVE MOTOR 146 1016 000	
	M2 MAIN BROOM MOTOR 146 0835 000	

LEGENDA / KEY

- | |
|---|
| 1) SERBATOIO OLIO IDRAULICO / HYDRAULIC OIL TANK included in the Hydraulic Pump 146 0921 000 |
| 2) FILTRO OLIO IDRAULICO / HYDRAULIC OIL FILTER included in the Hydraulic Pump 146 0921 000 |
| 3) POMPA IDRAULICA / HYDRAULIC PUMP 146 0921 000 |
| 4) MOTORE PROPULSIVO / MOTOR included in the Hydraulic Pump 146 0921 000 |
| 5) VALVOLA PARACADUTE / HOSE BURST VALVE included in the Dumper Lifting Cylinder 146 0885 000 |
| 6) CILINDRO IDR. SOLLEV. CASSONE / DUMPER LIFTING CYLINDER 146 0885 000 |



RECOMMENDED SPARE PARTS

2004-08

46

Terra™ 5200B

Item	Ref. No.	Qty	Description
WEAR PARTS			
1	145 5665 000	1	Paper filter
2	145 5927 000	2	Side std skirt
3	145 4654 000	1	Rear std skirt
4	145 4653 000	1	Front std skirt
5	146 1018 000	1	Main broom 3 rows ø 300x800 mm PPL std
6	146 1025 000	1	Side broom 3 rows ø 280x500 mm PPL std
7	146 1153 000	1	Kit consumables (std main/side brooms, filter, skirts)
ORDINARY MAINTENANCE			
8	146 1158 000	1	Gasket
9	146 1159 000	2	Gasket side waste container
10	146 1160 000	1	Gasket rear waste container
11	146 0882 000	1	Gasket front waste container
12	146 1147 000	1	Gasket
13	146 1013 000	1	Hose inlet
14	146 1012 000	1	Belt
15	146 0855 000	1	Belt
16	146 1038 000	1	Skirt raising cable
17	145 5042 000	4	Carbon brushes (for motor 146 0835 000)
18	145 9864 000	4	Carbon brushes (for motor 146 1016 000)
19	145 5125 000	2	Carbon brushes (for motors 146 1039 000 - 146 1135 000)
EXTRAORDINARY MAINTENANCE			
20	145 1784 000	1	Chain 3/8 68 pitches
21	146 1114 000	2	Chain 1/2 -5/16 97 pitches
22	146 1039 000	1	Right broom motor
23	146 1135 000	1	Left broom motor
24	145 9679 000	3	Main - Side broom switches
25	146 0844 000	1	Drive potentiometer
26	146 0838 000	1	Drive electronic board
27	146 0991 000	1	Brake cable
28	146 0929 000	1	Actuator
29	146 0848 000	2	Hopper microswitch
30	146 1042 000	1	Hydraulic hose
31	146 0840 000	1	Main fuse 150 A
32	56325757	1	Circuit breaker 10A
33	146 0843 000	1	Circuit breaker 50A
34	145 9853 000	1	Fuse 15 A
35	146 1776 000	1	Fuse 20 A
36	146 0068 00	3	Fuse 10 A
37	146 0839 000	1	Primary Electromagnetic switch
38	145 0300 000	1	Main broom Electromagnetic switch
39	145 3712 000	2	Pump Electromagnetic switch
40	146 0837 000	1	Display control card
41	145 6004 000	1	Replacement Key



Nilfisk-Advance, Inc.
14600 21st Avenue North
Plymouth, MN, 55447-3408
www.nilfisk-advance.com
Phone: 800-989-2235
Fax: 800-989-6566

©2004 Nilfisk-Advance, Inc.,
Plymouth, MN 55447-3408
Printed in Italy