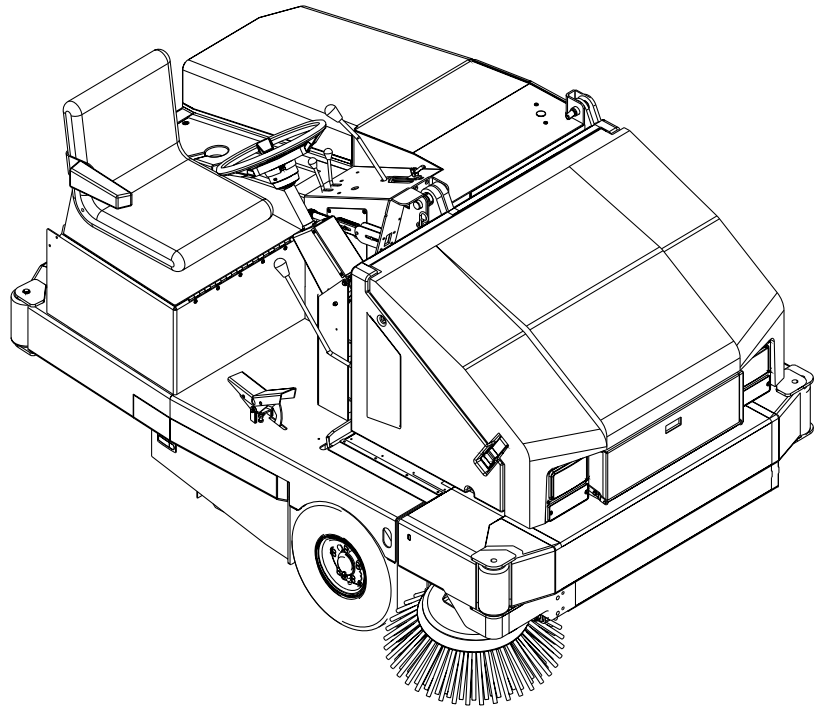


Retriever™ 2060



PARTS LIST

Advance MODELS

56418000 (propane before SN 1450215),

56418001 (gas before SN 1451899)

56418002 (dual fuel before SN 1450215)

All models covered in this manual are OBSOLETE.



Advance

by Nilfisk-Advance 4/99 revised 9/05 Form Number 56042354

DESCRIPTION	PAGE
CHASSIS SYSTEM	2-3
CHASSIS SYSTEM (CONTINUED)	4-5
CONTROL SYSTEM	6-7
CONTROL PANEL ASSEMBLY	8-9
CIRCUIT BREAKER ASSEMBLY	10-11
BRAKE LEVER ASSEMBLY	12-13
TILT STEERING ASSEMBLY	14-15
DRIVE WHEEL SYSTEM	16-17
SIDE BROOM SYSTEM	18-19
MAIN BROOM SYSTEM	20-21
MAIN BROOM SYSTEM (CONTINUED)	22-23
FRONT WHEEL SYSTEM	24-25
DUST CONTROL SYSTEM	26-27
HYDRAULIC SYSTEM	28-31
HOPPER SYSTEM	32-33
ENGINE ASSEMBLY	34-35
GASOLINE ASSEMBLY	36-37
PROPANE ASSEMBLY	38-39
DUAL FUEL ASSEMBLY	40-41
RADIATOR ASSEMBLY (before July 2000)	42-43
DRIVE PEDAL LINKAGE	44-45
DECAL SYSTEM	46-47
WIRING DIAGRAM	48-49
WIRING DIAGRAM (CONTINUED)	50-51
RADIATOR ASSEMBLY (after June 2000)	52-53
DOOR/HOOD ASSEMBLY (after June 2000)	54-55

WHEN ORDERING PARTS

- * Use the 8 digit numbers from the "Ref. No." columns in this parts list.
- * Specify the model and serial number of the machine.
- * Use the space below to record the model and serial number for future reference.

Model _____ Serial No. _____

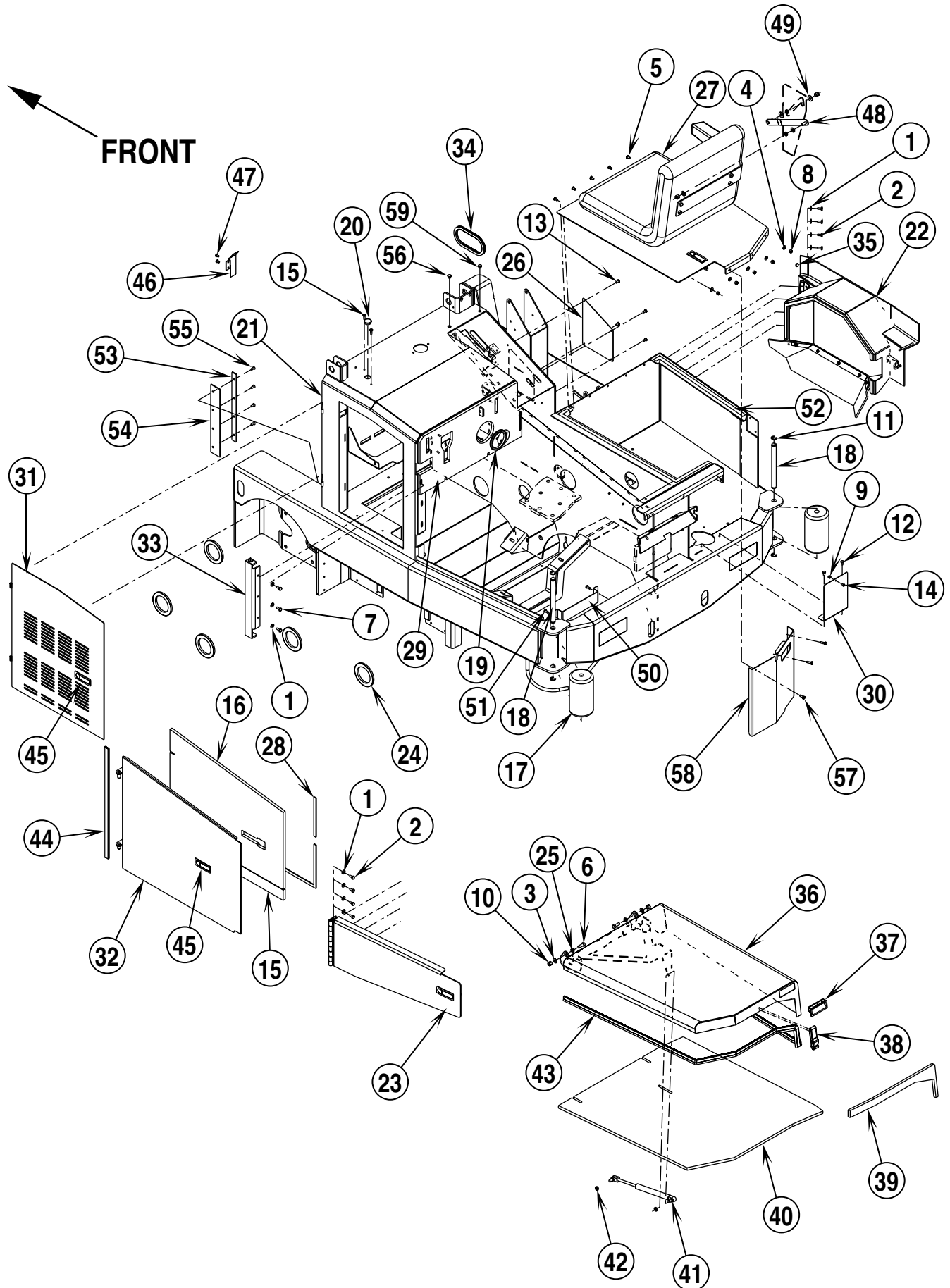
CHASSIS SYSTEM

99-4

2

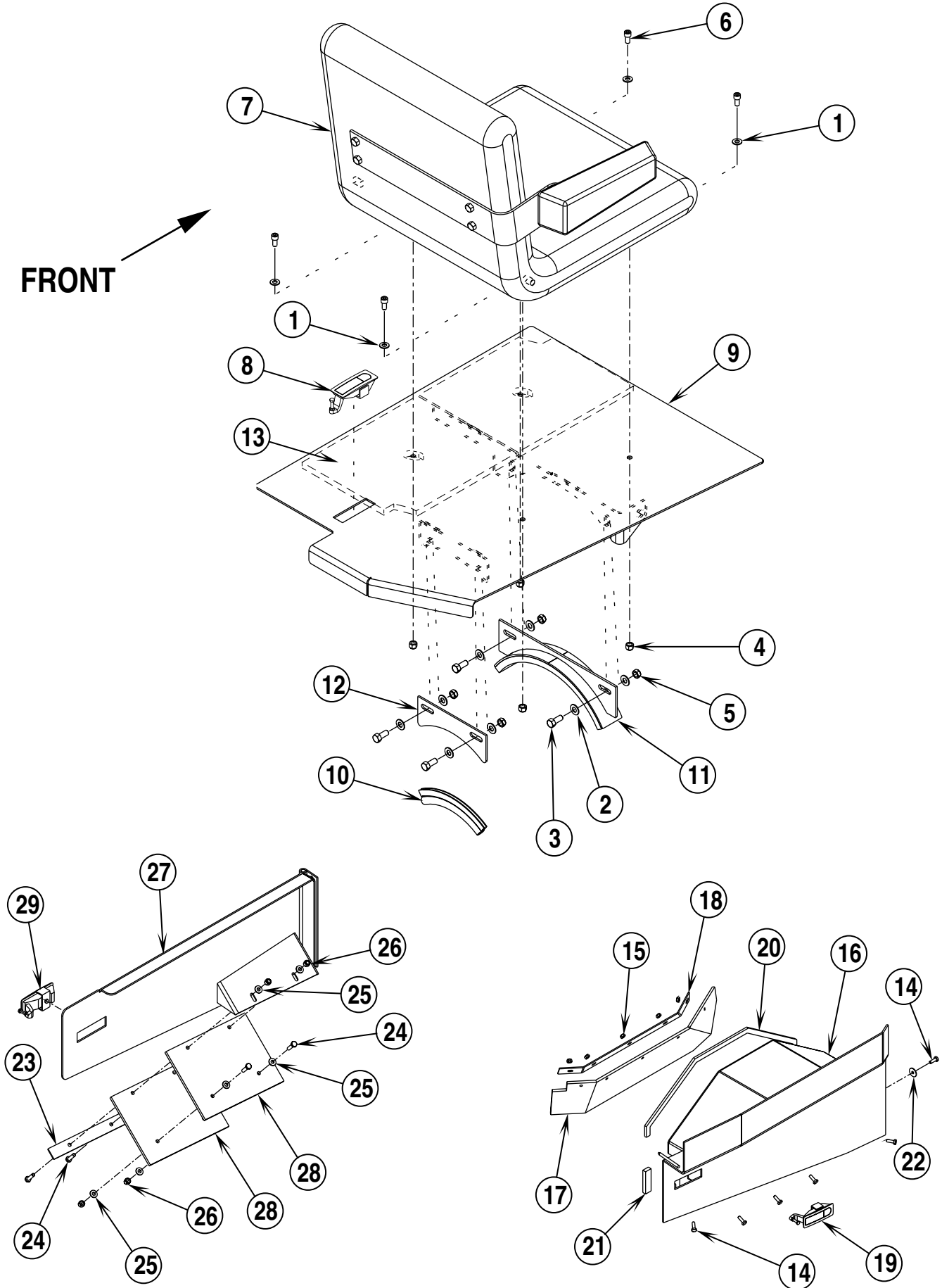
Retriever™ 2060

00-11



Item	Ref. No.	Qty	Description	Item	Ref. No.	Qty	Description
1	56001939	11	Wsh, Flt SAE 5/16	50	56418775	2	Cover, Tail Light
2	56002035	8	Scr, Hex Hd 5/16-18 x .62	51	56001836	4	Scr, Hex Hd 1/4-20 x .62
3	56002063	2	Wsh, Flt SAE 3/8	52	56418831	1	Gasket, Seat Plate
4	56002098	5	Wsh, Flt SAE 1/4	53	56419127	2	Strap (after SN 1359035) TSB 719
5	56009248	7	Scr, Pan Phil Thd Form-Blk 1/4-20 x .75	54	56419126	2	Blade (after SN 1359035) TSB 719
6	56002663	2	Scr, Hex Hd 3/8-16 x 1.00	55	56002760	8	Scr, Flt Phil 1/4-20 x .62
7	56002667	3	Scr, Hex Hd 5/16-18 x .75	56	56419183	3	Plug, Cap
8	56002708	5	Nut, Hex Nyl Loc 1/4-20	57	56009018	3	Scr, Hex Thd Form 1/4-20 x .75 (gas model only)
9	56002768	1	Nut, Hex Nyl Loc 10-24 (propane model only)	58	56419302	1	Panel, Rear (gas model only)
10	56002769	2	Nut, Hex Nyl Loc 3/8-16	59	56153126	1	Plug, Button
11	56003266	4	Ring, Ret Ext Type E .75 Dia				
12	56009033	2	Scr, Hex Thd Form 1/4-20 x .50 (propane model only)				* = Not Shown
13	56009062	4	Scr, Pan Phil Thd Form 1/4-20 x .50				OPTIONS AND ACCESSORIES
14	56009082	1	Scr, Pan Phil Thd Form-Blk 10-24 x .50 (propane model only)	56418569	Overhead Guard Kit		
15	56418695	1	Insulation, Engine Door	56418814	Wearpak Kit		
16	56418694	1	Insulation, Engine Door	56418421	Back Up Alarm Kit		
17	56409335	2	Bumper	56418767	Beacon Kit		
18	56409336	2	Pin	56418390	Turn Signal Kit		
19	56416516	1	Grommet	56418832	Cushion Tire Kit		
20	56416593	1	Plug, Button 1.00	56419329	Cushion Tire Kit, Non-Marking		
21	56418015	1	Chassis Weldment	56418369	Gauge Kit		
22	56418064	1	Right Door Assembly (see pages 4-5)	56418834	Shaker Timer Kit		
23	56418195	1	Left Door Assembly (see pages 4-5)	56418799	Blower Wand Kit		
24	56418198	5	Grommet	56418406	Vacuum Switch Kit		
25	56366013	2	Bushing .37 x .62 x .18	56418420	Temperature Switch Kit		
26	56418413	1	Cover, Access	56419233	Enclosed Cab Kit		
27	56418498	1	Seat Plate Assembly (see pages 4-5)	56419213	Cab Blower Kit		
28	56418698	1	Gasket, Engine Door	56419243	Alternator Kit (for gas, propane and dual fuel models) (should be ordered when installing Cab Kit).		
29	56418696	1	Insulation, Tower Rear	56460061	Left Armrest Kit		
30	56418526	1	Cover, Fuel Opening (propane model only)	56419301	Stiff Engine Mount Kit		
31	56418583	1	Tower Door Assembly	56419303	4 Tube Radiator Std. Kit (for machines without tip-up oil cooler)		
	56418584	1	Left Door Weldment	56419304	4 Tube Radiator T.U. Kit (for machines with tip-up oil cooler)		
32	56418587	1	Left Door Weldment				
	56418586	1	Left Door Assembly (#15-16, 28, 32 & 44)				
33	56418592	1	Hinge Assembly				
	56418590	1	Hinge Weldment				
*	56185264	2	Bearing, Flange				
34	56418911	1	Trim				
35	56416668	2	Bumper, Self Adhesive				
	56418691	1	Engine Cover Assembly (#36-43)				
36	56418502	1	Engine Cover Weldment				
37	56416455	1	Pull, Pocket				
38	56462316	1	Latch, Draw				
39	56418693	1	Insulation, Engine Cover				
40	56418692	1	Insulation, Engine Cover				
41	56385238	1	Gas Cylinder				
42	56009086	2	Nut, Hex Jam 5/16-18				
43	56418700	1	Gasket, Engine Cover				
44	56418699	1	Gasket, Engine Door				
45	56418471	2	Latch, Paddle				
46	56418824	1	Deflector				
47	56009019	2	Scr, Hex Thd Form 1/4-20 x .38				
48	56418706	1	Lift Link Weldment				
49	56009213	1	Wsh, Flt .392 x 1.00 x .075				

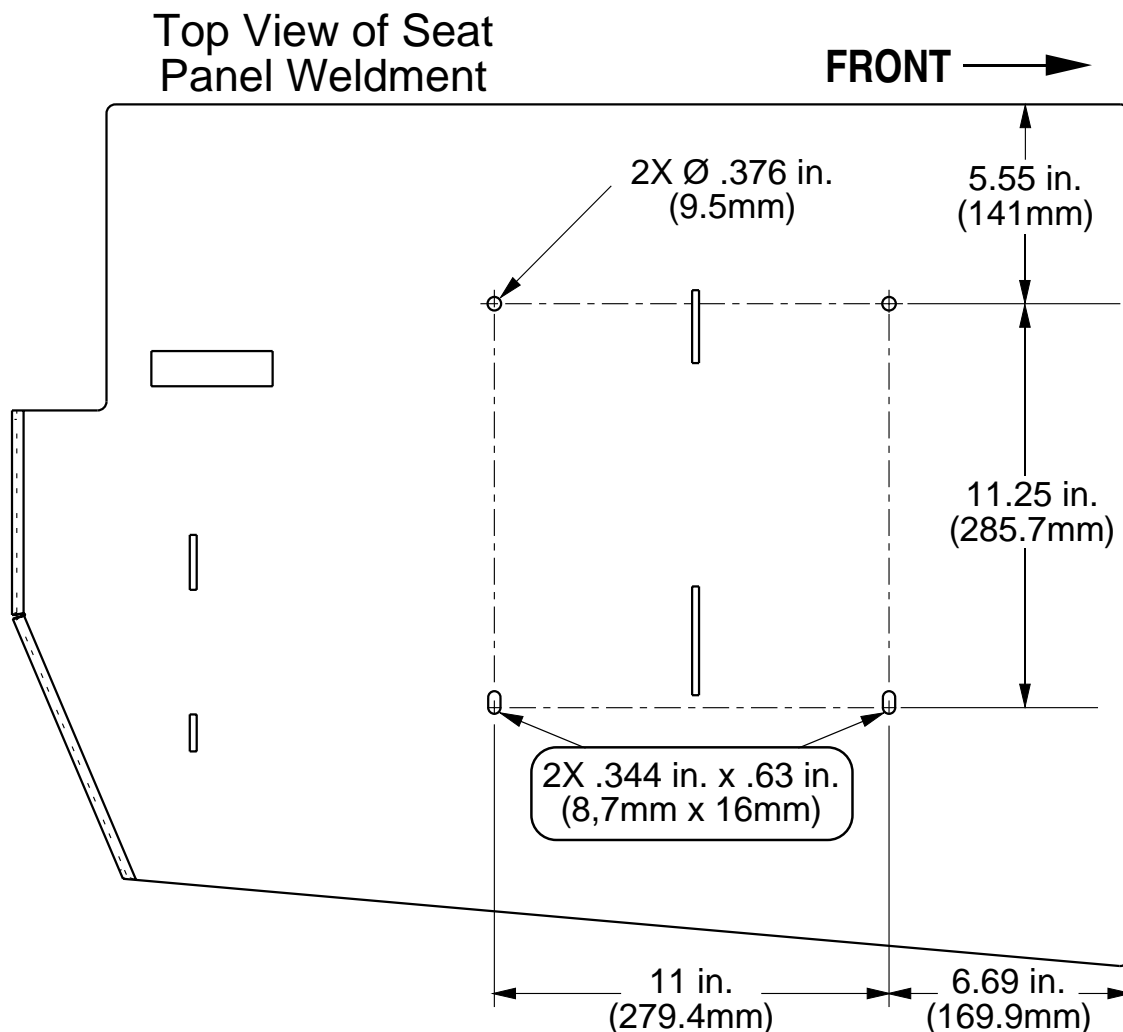
FRONT

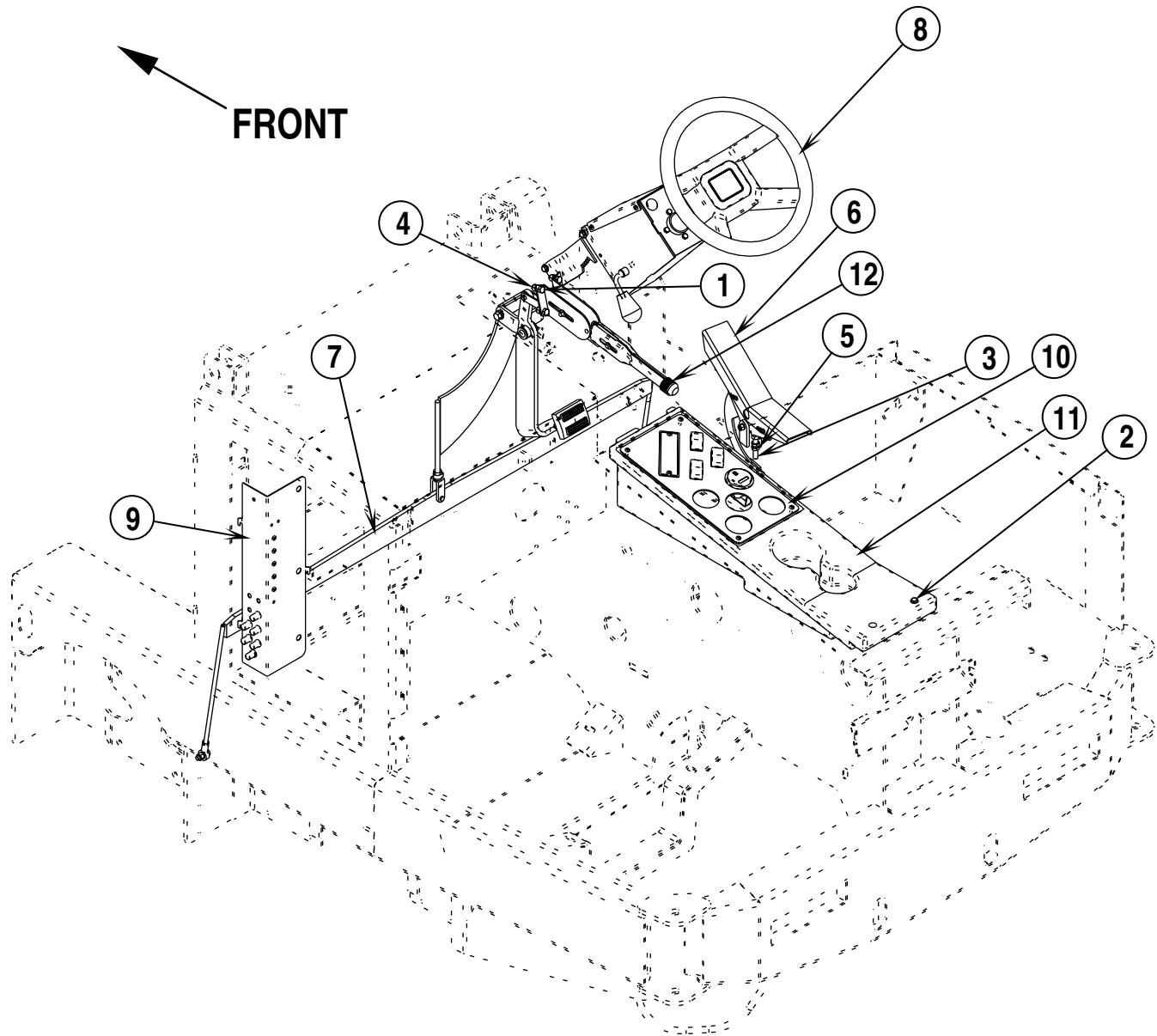


Item	Ref. No.	Qty	Description	Item	Ref. No.	Qty	Description
	56418498	1	Seat Plate Assembly (#1-13, except #2-3, 6, 8, 10-12)	56418064	1	Right Door Assembly (#14-22 except 19)	
1	56001939	4	Wsh, Flt SAE 5/16	14	56002155	6	Scr, Hex Hd 1/4-20 x .75
2	56002063	6	Wsh, Flt SAE 3/8	15	56002840	6	Nut, Hex Nyl Loc-Thin 1/4-20
3	56002271	4	Scr, Hex Hd 3/8-16 x .88	16	56418065	1	Right Door Weldment
4	56002701	4	Nut, Hex Nyl Loc 5/16-18	17	56418070	1	Skirt, Right Door
5	56002841	4	Nut, Hex Nyl Loc-Thin 3/8-16	18	56418193	1	Strap, Right Door
6	56003118	4	Scr, Soc Hd 5/16-18 x .62	19	56418471	1	Door Latch
7	56460045	1	Seat Note*	20	56418475	1	Gasket, Strip
**	56460061	1	Left Armrest Kit	21	56418703	1	Gasket, Strip
8	56418471	1	Door Latch	22	56009002	1	Wsh, Flt .26 x .90 x .06
9	56418495	1	Seat Panel Weldment		56418195	1	Left Door Assembly (#23-28)
10	56418675	1	Gasket, Bulb	23	56418470	1	Strap, Left Door
11	56418710	1	LP Clamp Assembly	24	56001878	4	Scr, Hex Hd 1/4-20 x 1.25
12	56418746	1	Plate, LP Clamp	25	56002098	6	Wsh, Flt SAE 1/4
13	56418788	2	Insulation, Seat Plate	26	56002708	4	Nut, Hex Nyl Loc 1/4-20
				27	56418196	1	Left Door Weldment
				28	56418469	2	Skirt, Left Door
				29	56418471	1	Door Latch

** = Optional

Note* When replacing your machine's seat (7) check the seat mounting holes in the Seat Panel Weldment (9). If the holes don't match the illustration below, drill or file them to match.

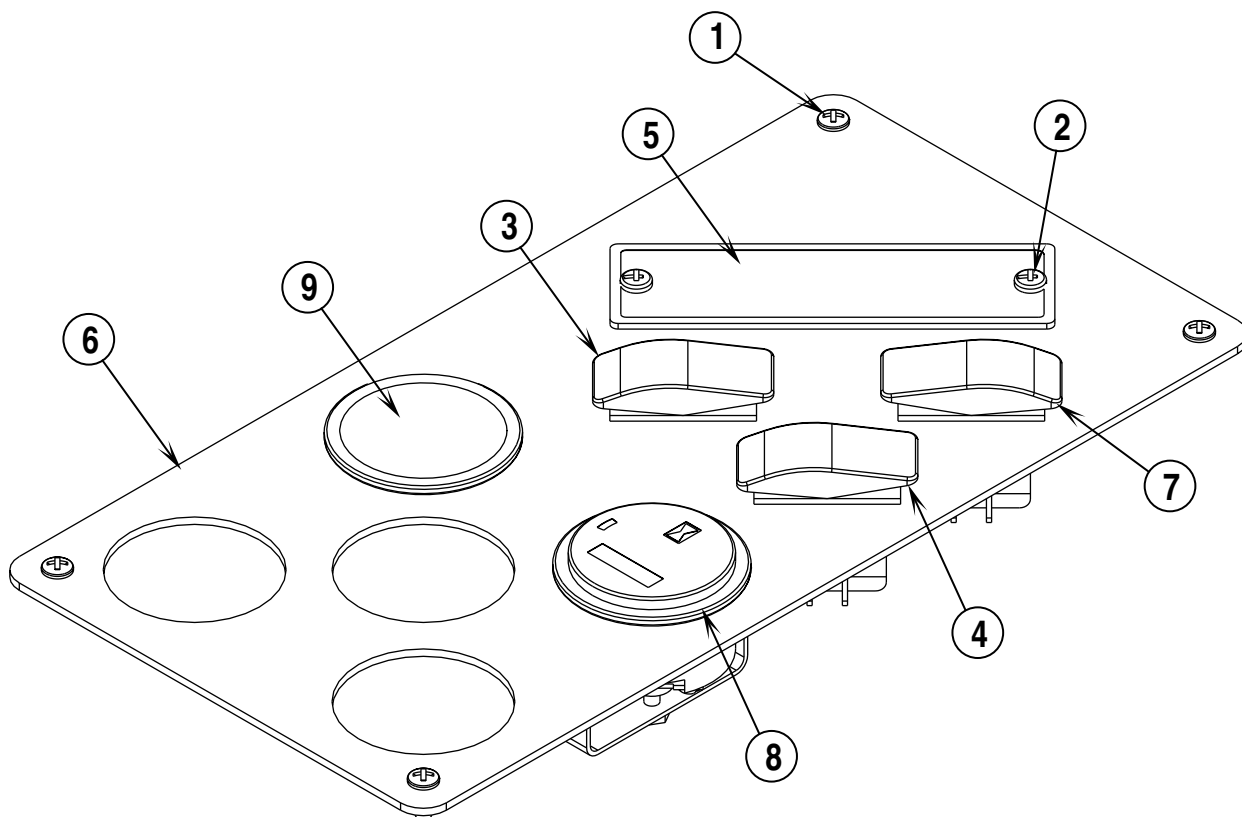




Item	Ref. No.	Qty	Description
1	56002037	4	Scr, Hex Hd 5/16-18 x .88
2	56002093	2	Scr, Hex Hd 1/4-20 x 1.00
3	56002668	2	Scr, Hex Thd To Hd 1/2-13 x 1.75
4	56002701	4	Nut, Hex Nyl Loc 5/16-18
5	56009016	4	Nut, Hex Jam 1/2-13
6	56418113	1	Throttle Pedal Assembly (see Drive Pedal Linkage)
7	56418138	1	Brake Lever Assembly (see associated pages)
8	56418377	1	Tilt Steering Assembly (see associated pages)
9	56418388	1	Circuit Breaker Assembly (see associated pages)
10	56418663	1	Control Panel Assembly (see associated pages)
*	56418628	1	Harness, Control Panel Wiring
11	56418717	1	Console, Finished
12	56448200	1	Brake Lever Assembly

* = Not Shown

FRONT 



CONTROL PANEL ASSEMBLY**Retriever™ 2060**

Item	Ref. No.	Qty	Description
	56418663	1	Control Panel Assembly (#1-8)
1	56002831	4	Scr, Pan Phil Blk 10-24 x .50
2	56009082	2	Scr, Pan Phil Thd Form-Blk 10-24 x .50
3	56324272	1	Switch, Rocker (Shaker Motor)
4	56393312	1	Switch, Rocker (Head Light)
5	56418412	1	Light Display, 10 Bulb
6	56418662	1	Control Panel
7	56455820	1	Switch, Rocker (Engine Speed)
8	56478363	1	Meter, Hour
9	56489598	1	Gauge, Fuel Level (Gasoline and Dual Fuel Models Only)

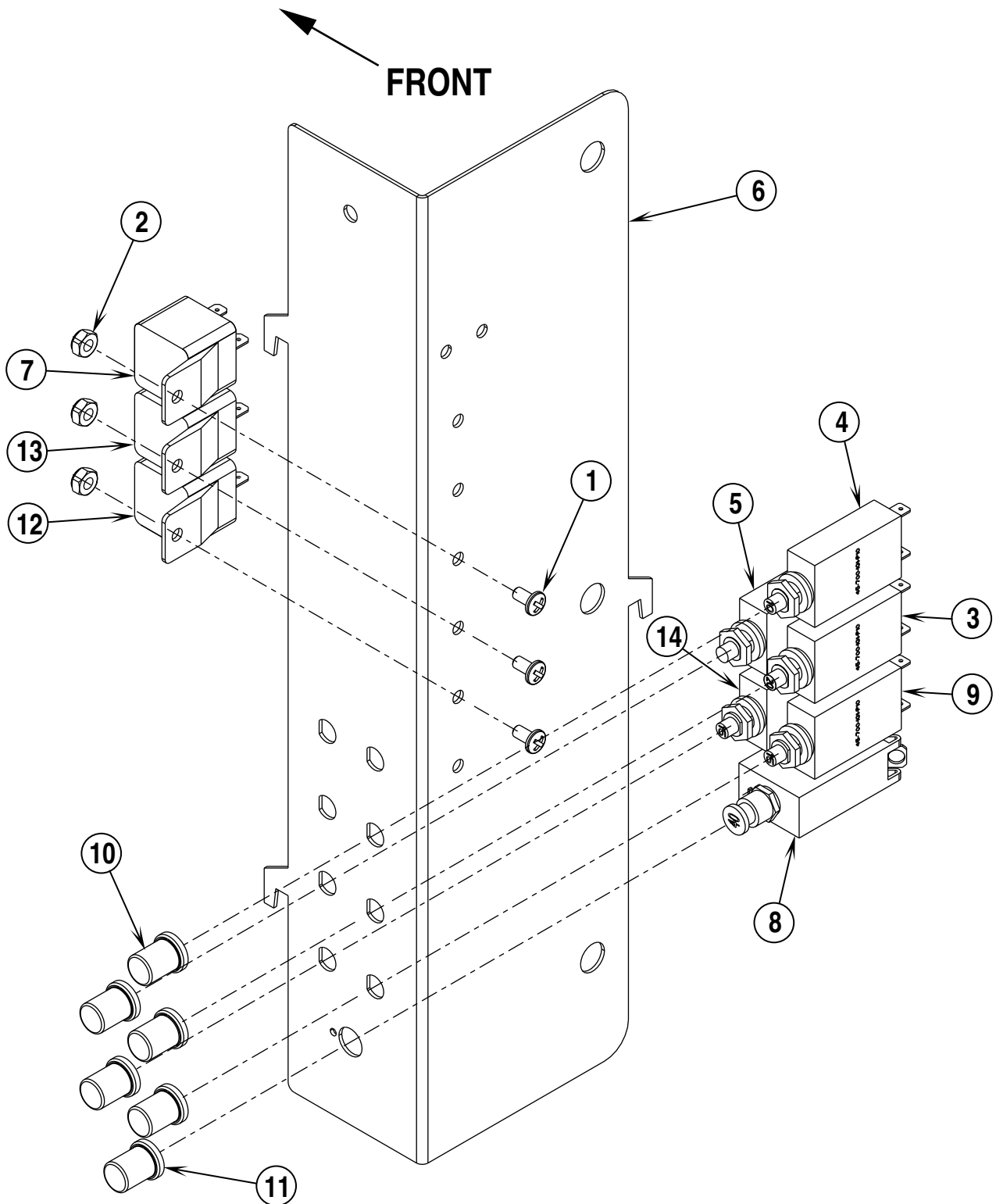
CIRCUIT BREAKER ASSEMBLY

99-4

10

Retriever™ 2060

99-8



99-4	CIRCUIT BREAKER ASSEMBLY		
00-5	Retriever™ 2060		11

Item	Ref. No.	Qty	Description
	56418388	1	Circuit Breaker Assembly (#1-14)
1	56002043	3	Scr, Pan Phil 10-24 x .38
2	56002832	3	Nut, Hex Nyl Loc-Thin 10-24
3	56168444	1	Circuit Breaker, 8 Amp (Shaker Motor / F5)
4	56387316	1	Circuit Breaker, 10 Amp (Horn / F6)
5	56395454	1	Circuit Breaker, 20 Amp (Head Lights / Tail Lights / F4)
6	56418173	1	Panel, Circuit Breaker
7	56418387	1	Relay, Hopper Door / K6
8	56452193	1	Circuit Breaker, 40 Amp (Main / F1)
9	56454538	1	Circuit Breaker, 15 Amp (Ignition Circuit / F2)
10	56459367	5	Boot, Reset Button
11	56459368	1	Boot, Reset Button
12	56491862	1	Relay, Shaker Motor / K2
13	56418387	1	Relay, Interlock / K3
14	56454538	1	Circuit Breaker, 15 Amp (Accessory Circuit 1 / F3)

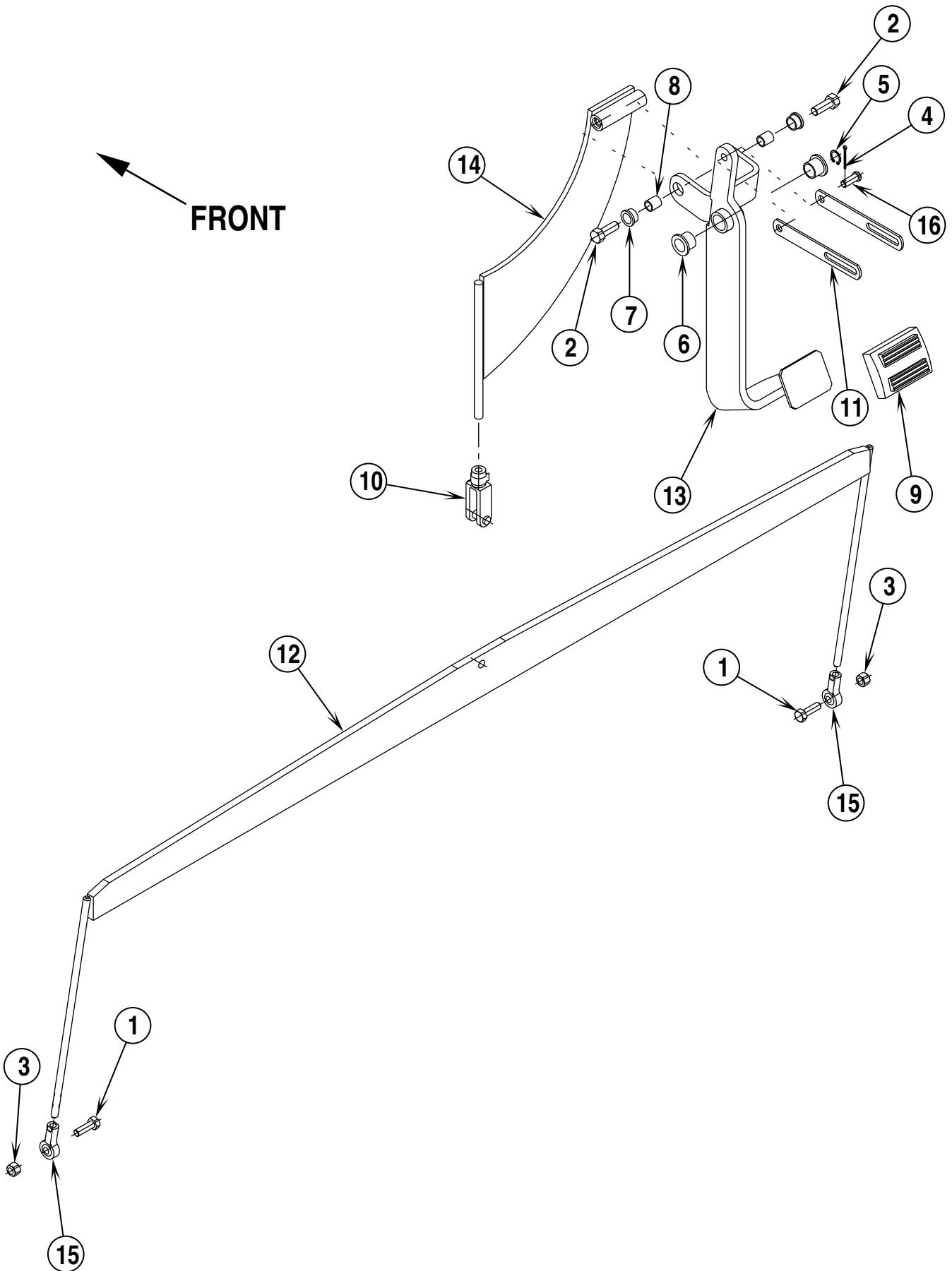
BRAKE LEVER ASSEMBLY

99-4

12

Retriever™ 2060

FRONT



Item	Ref. No.	Qty	Description
	56418138	1	Break Lever Assembly (#1-16)
1	56002588	2	Scr, Hex Hd 5/16-24 x 1.00
2	56002947	2	Scr, Hex Hd Loc 3/8-16 x 1.00
3	56002950	2	Nut, Hex Nyl Loc 5/16-24
4	56003144	1	Pin, Cotter 1/16 x 1/2
5	56003255	1	Ring, ret Ext
6	56171095	2	Bearing, Flange
7	56185264	2	Bearing, Flange
8	56324200	2	Bushing
9	56365002	1	Pad, Rubber
10	56416088	1	Clevis Assembly
11	56416348	2	Linkage, Hand Brake
12	56418137	1	Brake Yoke Weldment
13	56418144	1	Brake Lever Weldment
14	56418145	1	Link Weldment
15	56418478	2	Rod End
16	56455357	1	Pin

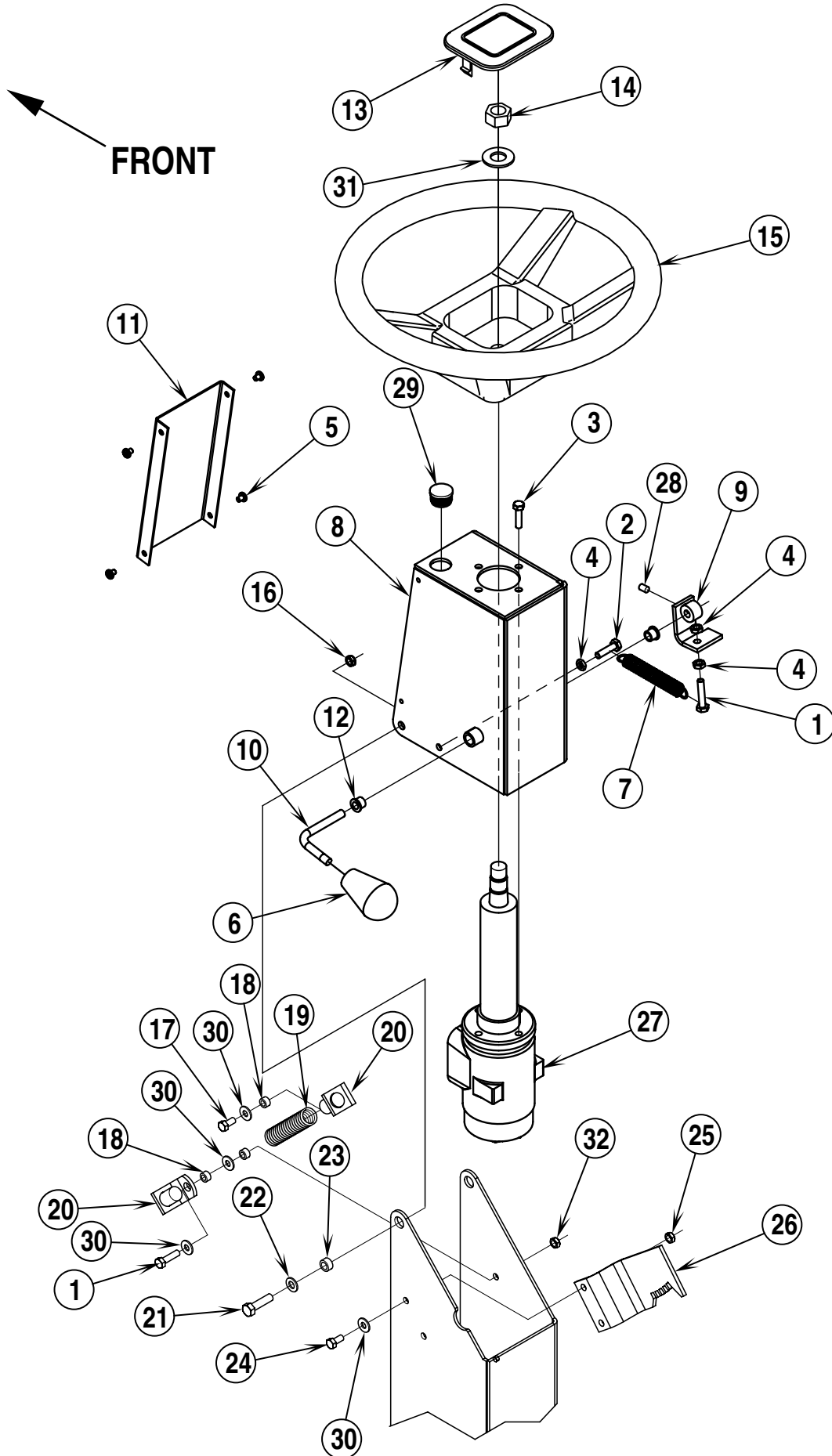
TILT STEERING ASSEMBLY

99-4

14

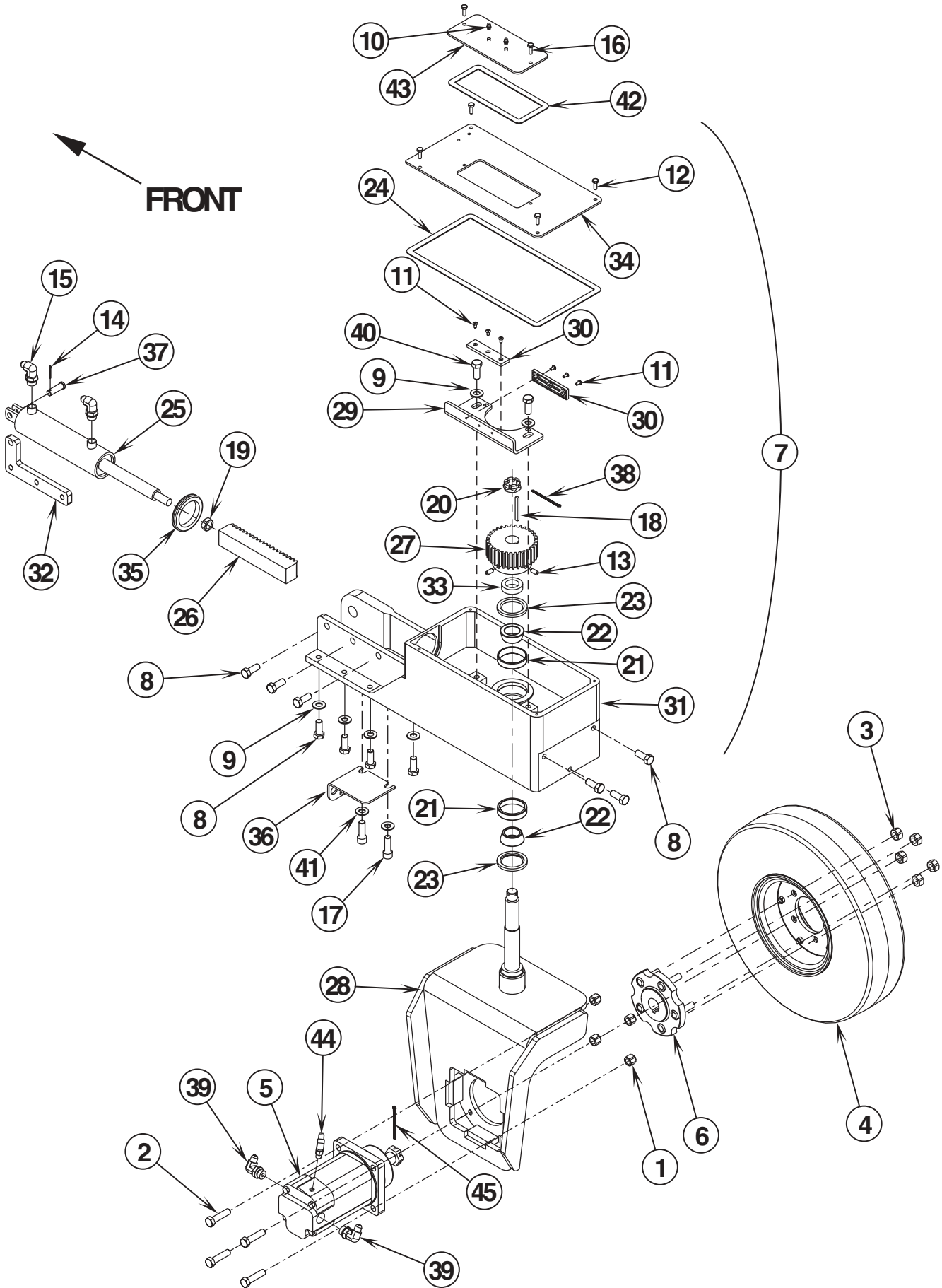
Retriever™ 2060

99-9



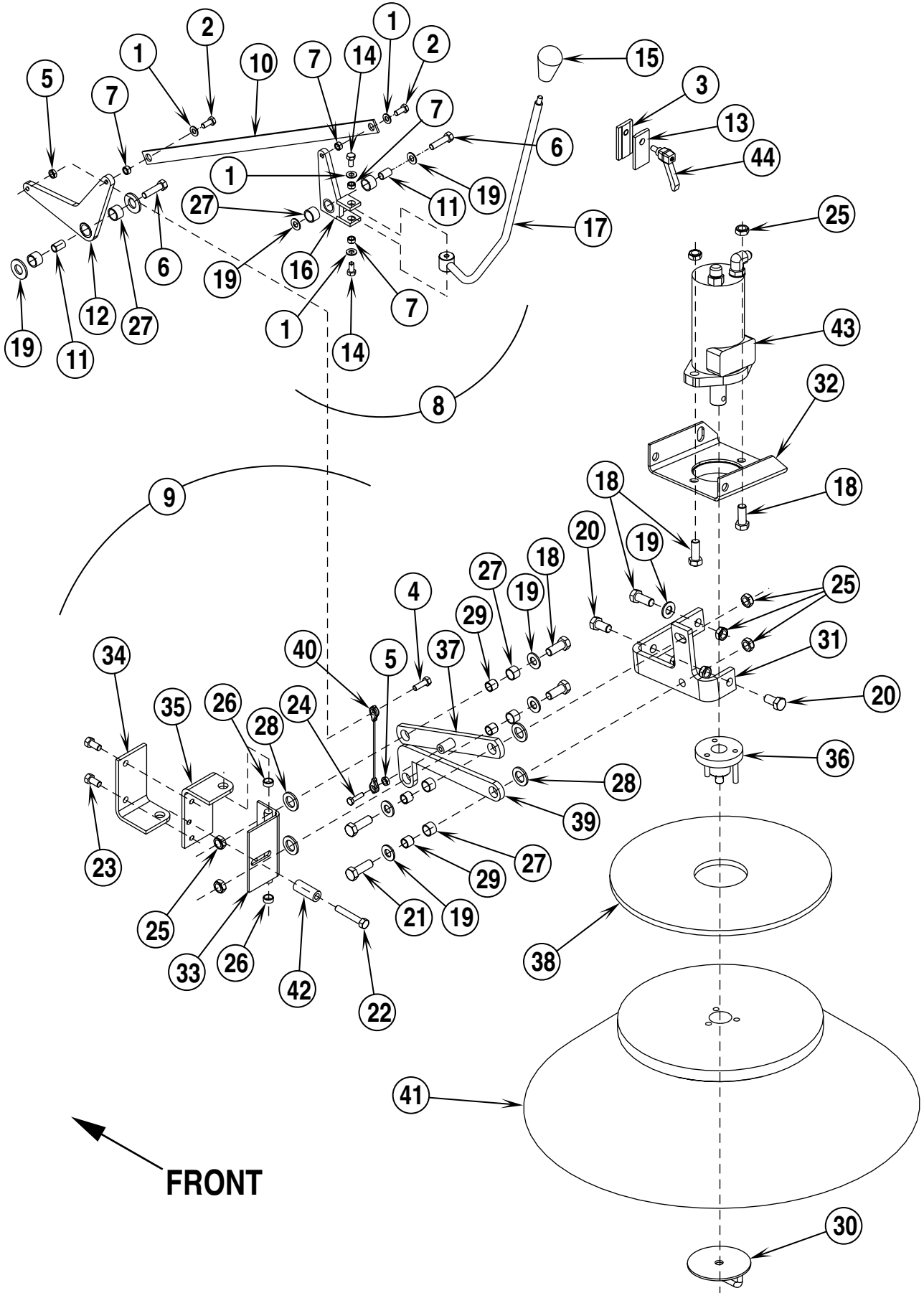
99-4	TILT STEERING ASSEMBLY		
99-9	Retriever™ 2060		15

Item	Ref. No.	Qty	Description
1	56001878	2	Scr, Hex Hd 1/4-20 x 1.25
2	56002093	1	Scr, Hex Hd 1/4-20 x 1.00
3	56003358	4	Scr, Hex M6-1.00 x 25mm
4	56009087	3	Nut, Hex Jam 1/4-20
5	56009109	4	Scr, Pan Phil Thd Form 10-24 x .25
6	56364527	1	Knob
7	56365068	1	Spring
8	56418394	1	Steering Bracket Weldment
9	56418400	1	Pawl Weldment
10	56418401	1	Lever, Steering Lock
11	56418402	1	Cover, Steering Hoses
12	56444502	2	Bearing, Flange
13	56418459	1	Cap
14	56003440	1	Nut, Hex M16 x 1.5
15	56418460	1	Steering Wheel
16	56002701	2	Nut, Hex Nyl Loc 5/16-18
17	56001854	2	Scr, Hex Hd 1/4-20 x .50
18	56379298	3	Bushing
19	56372129	1	Spring, Compression
20	56418654	2	Spring Bracket Weldment
21	56002221	2	Scr, Hex Hd 5/16-18 x 1.00
22	56001939	2	Wsh, Flt SAE 5/16
23	56320595	2	Bushing
24	56002155	2	Scr, Hex Hd 1/4-20 x .75
25	56002708	2	Nut, Hex Nyl Loc 1/4-20
26	56418031	1	Latch, Adjustable Steering
27	56418752	1	Steering Unit Assembly (see Hydraulic System)
28	56001826	1	Scr, Soc Set Loc 5/16-18 x .50
29	56418674	1	Plug, Plastic
30	56002098	5	Wsh, Flt SAE 1/4
31	56002022	1	Wsh, Flt SAE 5/8
32	56002840	1	Nut, Hex Nyl Loc-Thin 1/4-20



99-4	DRIVE WHEEL SYSTEM			
05-9	Retriever™ 2060			17

Item	Ref. No.	Qty	Description	Item	Ref. No.	Qty	Description
1	56002770	4	Nut, Hex Nyl Loc 1/2-13	43	56418754	1	Cover, Inspection
2	56002983	4	Scr, Hex Hd 1/2-13 x 2.00	44	56900153	1	Elbow, 45 O-Ring W/Nut
3	56009116	5	Nut, Lug TSB 797	45	56002574	1	Pin, Cotter 5/32 x 3.00
4	56419374	1	Tire Assembly TSB 797				
*	56419377	1	Rim, 8.00 x 3.75 TSB 797				* = Not Shown
*	56419376	1	Tire TSB 797				** = Optional
*	56419375	1	Tube TSB 797				
**	56418361	1	Tire, Cushion				NOTE 1: Machines before SN 1365891 can be updated from a 1.25"
**	56419328	1	Tire, Non-Marking				spindle to a 1.75" spindle by ordering kit # 56419320. See TSB 736 .
5	56419653	1	Motor, Wheel TSB 775, TSBUS2005-904				
*	56418833	1	Seal Kit for 56419653				
6	56419373	1	Hub Assembly TSB 797				
7	56418636	1	Steering Assembly (#8-37, 40, 42-43) (before SN 1365892) NOTE 1				
	56419187	1	Steering Assembly (#8-38, 40-43) (after SN 1365891)				
8	56001831	10	Scr, Hex Hd 1/2-13 x 1.25 (before SN 1365892) NOTE 1				
	56003022	10	Scr, Hex Hd Loc 1/2-13 x 1.25 (after SN 1365891)				
9	56001879	6	Wsh, Flt SAE 1/2				
10	56101737	2	Fitting, Lube 1/4-28				
11	56002043	6	Scr, Pan Phil 10-24 x .38				
12	56002155	4	Scr, Hex Hd 1/4-20 x .75				
13	56002186	2	Scr, Soc Set Loc 5/16-18 x .62				
14	56002529	1	Pin, Cotter 1/8 x 1.00				
15	56900101	2	Elbow, 90 O-Ring				
16	56009018	2	Scr, Hex Thd Form 1/4-20 x .75				
17	56002972	2	Scr, Soc Hd 1/2-13 x 1.50				
18	56003248	1	Key, Sq .25 x 2.31				
19	56009099	1	Nut, Hex Jam 5/8-18				
20	56110817	1	Nut, Castle 7/8-14				
21	56158143	2	Bearing, Cup (before SN 1365892) NOTE 1				
	56744474	2	Bearing, Cup (after SN 1365891)				
22	56158151	2	Bearing, Cone (before SN 1365892) NOTE 1				
	56744471	2	Bearing, Cone (after SN 1365891)				
23	56171081	2	Seal, Shaft (before SN 1365892) NOTE 1				
	56477783	2	Seal, Shaft (after SN 1365891)				
24	56200754	4'	Gasket, Strip				
25	56418441	1	Cylinder, Hydraulic				
26	56418476	1	Rack				
27	56418477	1	Gear, Spur				
28	56418549	1	Spindle Weldment (before SN 1365892) NOTE 1				
	56419184	1	Spindle Weldment (after SN 1365891)				
29	56418573	1	Angle, Adjuster				
30	56418575	2	Plate, Wear				
31	56418635	1	Casting, Steering (before SN 1365892) NOTE 1				
	56419188	1	Casting, Steering (after SN 1365891)				
32	56418637	1	Bracket, Cylinder				
33	56418638	1	Spacer, Gear (before SN 1365892) NOTE 1				
	56419189	1	Spacer, Gear (after SN 1365891)				
34	56418639	1	Cover Plate				
35	56459362	1	Grommet				
36	56418755	1	Bracket, Bulkhead				
37	56486733	1	Pin				
38	56002574	1	Pin, Cotter 5/32 x 3.00 (used only after SN 1365891)				
39	56900116	2	Elbow, 90 O-Ring				
40	56001831	2	Scr, Hex Hd 1/2-13 x 1.25 (before SN 1365892) NOTE 1				
	56003083	2	Scr, Hex Hd Loc 1/2-13 x 1.00 (after SN 1365891)				
41	56001879	2	Wsh, Flt SAE 1/2 (used only after SN 1365891)				
42	56200754	2'	Gasket, Strip				



Item	Ref. No.	Qty	Description
1	56001939	4	Wsh, Flt SAE 5/16
2	56002956	2	Scr, Hex Hd Loc 5/16-18 x .75
3	56416411	1	Stop, Broom
4	56003073	1	Scr, Hex Hd Loc 5/16-18 x 1.00
5	56009086	2	Nut, Hex Jam 5/16-18
6	56002983	2	Scr, Hex Hd 1/2-13 x 2.00
7	56320595	4	Bushing, .32 x .50 x .28
8	56418252	1	Side Broom Lift Lever Assembly (#1-2, 6-7, 11 & 14-17)
9	56418539	1	Side Broom Assembly (#5 & 18-43)
10	56418690	1	Linkage
11	56418738	2	Bushing, .38 x .50 x .78
12	56418739	1	Lever Weldment
13	56416412	1	Stop, Broom
14	56002929	2	Scr, Hex Hd Loc 5/16-18 x .62
15	56364527	1	Knob
16	56418240	1	Lever Weldment
17	56418241	1	Lever Weldment
18	56001831	5	Scr, Hex Hd 1/2-13 x 1.25
19	56001879	9	Wsh, Flt SAE 1/2
20	56001895	2	Scr, Hex Hd 1/2-13 x 1.00
21	56001968	2	Scr, Hex Hd 1/2-13 x 1.50
22	56002058	1	Scr, Hex Hd 3/8-16 x 2.25
23	56002127	2	Scr, Hex Hd 3/8-16 x .75
24	56002221	1	Scr, Hex Hd 5/16-18 x 1.00
25	56002843	9	Nut, Hex Nyl Loc-Thin 1/2-13
26	56185263	2	Bearing, Sleeve
27	56367168	8	Bearing, Sleeve
28	56009022	4	Washer
29	56367206	4	Bushing
30	56418528	1	Thumb Nut Weldment
31	56418531	1	Bracket, Side Broom
32	56418534	1	Bracket Weldment
33	56418538	1	Side Broom Pivot Weldment
34	56418541	1	Lower Bracket, Side Broom
35	56418542	1	Upper Bracket, Side Broom
36	56418543	1	Side Broom Hub Assembly
*	56418544	1	Hub, Side Broom
*	56002648	3	Pin, Dwl Std .31 x 1.50
37	56418652	1	Side Broom Arm Weldment
38	56418670	1	Guard, Side Broom
39	56418684	1	Arm, Side Broom, Lower
40	56418761	1	Cable, Side Broom
41	56477812	1	Broom, Side, Polypropylene
**	56418837	1	Broom, Side, Nylon
**	56418838	1	Broom, Side, Wire
42	56761327	1	Spring, Comp.
43	56418757	1	Side Broom Motor Assembly
*	56418826	1	Seal Kit for 56418757
44	56416597	1	Handle, Adjustable

* = Not Shown

** = Optional

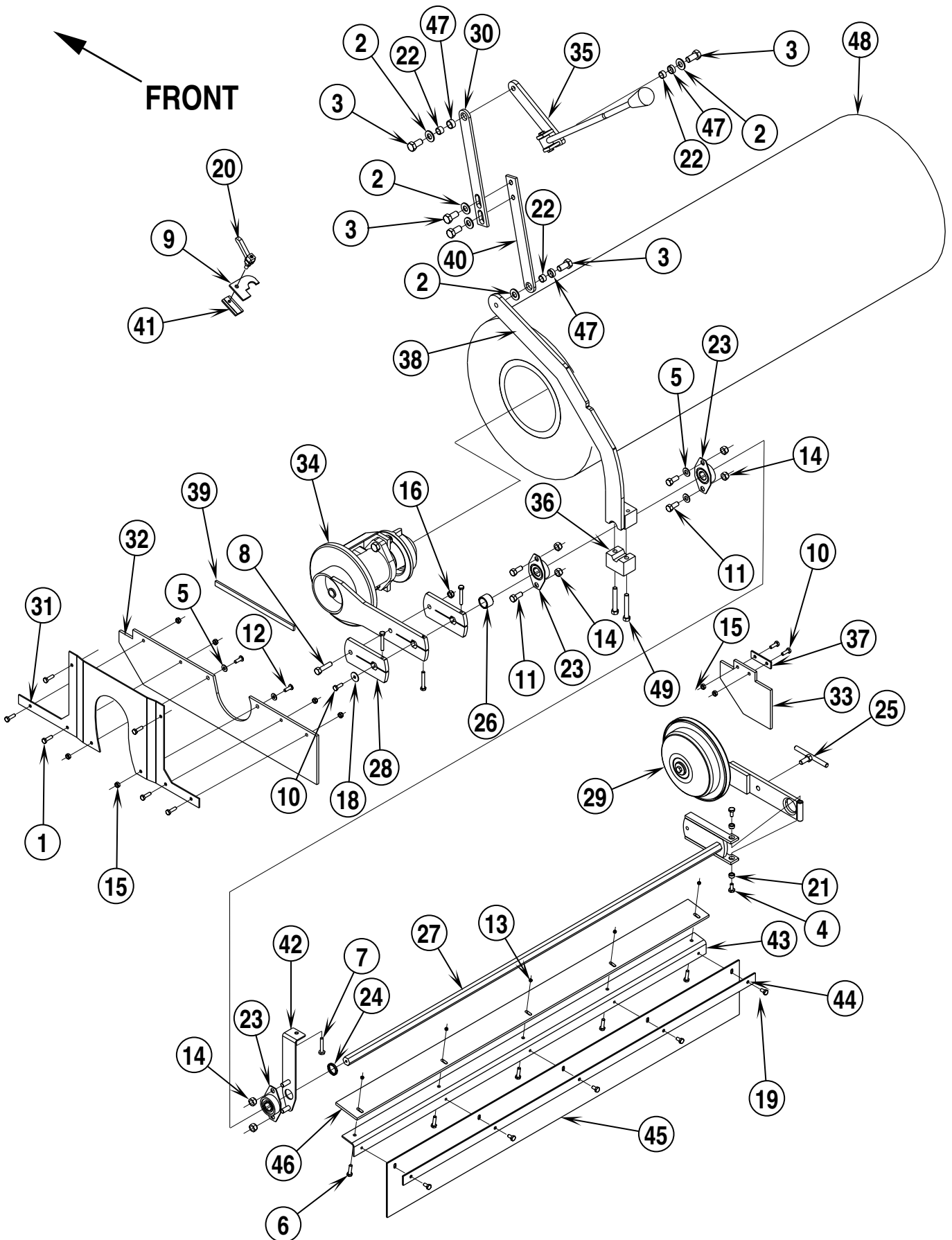
MAIN BROOM SYSTEM

99-4

20

Retriever™ 2060

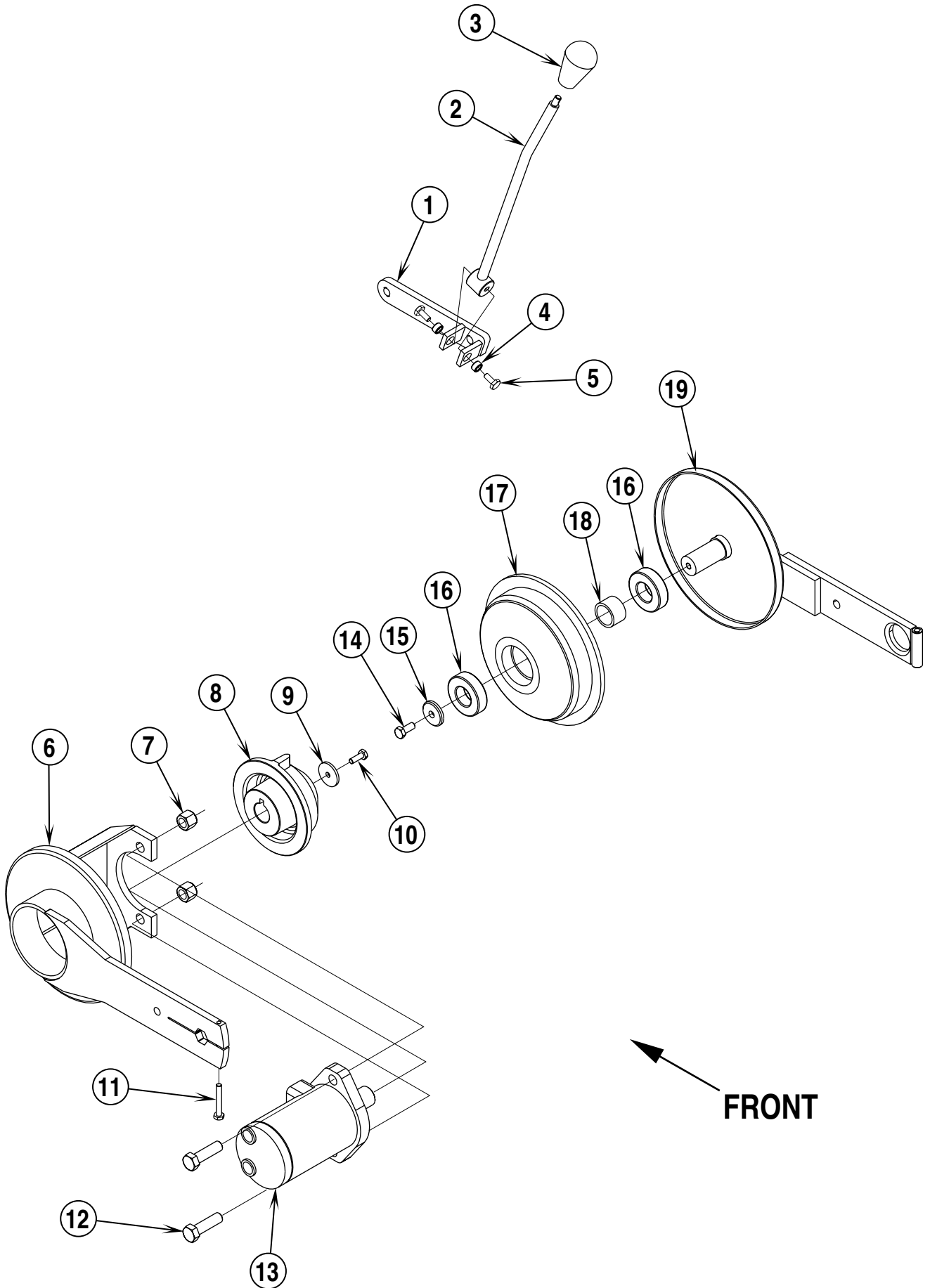
99-9



99-4	MAIN BROOM SYSTEM			
99-9	Retriever™ 2060			21

Item	Ref. No.	Qty	Description
1	56001821	6	Scr, Hex Hd 1/4-20 x .88
2	56001879	5	Wsh, Flt SAE 1/2
3	56001996	5	Scr, Hex Hd 1/2-13 x .75
4	56002035	2	Scr, Hex Hd 5/16-18 x .62
5	56002063	4	Wsh, Flt SAE 3/8
6	56002093	5	Scr, Hex Hd 1/4-20 x 1.00
7	56002094	1	Scr, Hex Hd 5/16-18 x 1.50
8	56002095	1	Scr, Hex Hd 3/8-16 x 1.50
9	56418906	1	Stop, Broom
10	56002155	3	Scr, Hex Hd 1/4-20 x .75
11	56002271	4	Scr, Hex Hd 3/8-16 x .88
12	56002711	2	Scr, Flt Phil 1/4-20 x .88
13	56002708	5	Nut, Hex Nyl Loc 1/4-20
14	56002769	6	Nut, Hex Nyl Loc 3/8-16
15	56002840	8	Nut, Hex Nyl Loc-Thin 1/4-20
16	56002841	1	Nut, Hex Nyl Loc-Thin 3/8-16
17	56003484	2	Scr, Hex Grd 8 1/4-20 x 1.75
18	56009060	1	Wsh, Flt SS .260 x 1.00 x .074
19	56009033	5	Scr, Hex Thd Form 1/4-20 x .50
20	56416597	1	Handle, Adjustable
21	56320595	2	Bushing .32 x .50 x .28
22	56365030	3	Bushing .50 x .62 x .27
23	56416086	3	Bearing, Hex Flange
24	56416377	1	Spacer, Shaft
25	56416382	1	Broom Arm Nut Weldment
26	56418049	1	Spacer, Shaft
27	56418050	1	Right Hex Arm Weldment
28	56418055	2	Arm, Hex Broom
29	56418056	1	Idler Hub Assembly (see pages 22-23)
30	56418061	1	Link, Lift
31	56418062	1	Plate, Left Access
32	56418063	1	Skirt, Left
33	56418121	1	Skirt, Broom Housing
34	56418194	1	Drive Lug Assembly (see pages 22-23)
35	56418308	1	Lift Lever Assembly (see pages 22-23)
36	56418701	1	Block, Hex Clamp
37	56418376	1	Strap, Right Broom Housing
38	56418687	1	Lift Link Weldment
39	56418438	1	Gasket, RS Strip
40	56418554	1	Link, Lift
41	56416411	1	Stop, Broom
42	56418650	1	Broom Adjuster Weldment
43	56462157	1	Support, Blade
44	56462158	1	Strap, Blade
45	56462159	1	Blade, Broom Housing
46	56462160	1	Blade, Internal Broom Housing
47	56478781	3	Bearing, Sleeve
48	56505071	1	Broom, Main, 8 row polypropylene
**	56505207	1	Broom, Main, 10 row double, proex-wire
**	56505210	1	Broom, Main, 10 row double, nylon
**	56505209	1	Broom, Main, 10 row double, proex
49	56001873	2	Scr, Hex Hd 3/8-16 x 2.50

** = Optional



99-4	MAIN BROOM SYSTEM (CONTINUED)		
01-5	Retriever™ 2060		23

Item	Ref. No.	Qty	Description
	56418308	1	Lift Lever Assembly (#1-5)
1	56418301	1	Lever Weldment
2	56487929	1	Lever Weldment
3	56364527	1	Knob
4	56320595	2	Bushing .32 x .50 x .28
5	56002035	2	Scr, Hex Hd 5/16-18 x .62
	56418194	1	Drive Lug Assembly (#6-12)
6	56418052	1	Left Side Arm Weldment
7	56002770	2	Nut, Hex Nyl Loc 1/2-13
8	56477762	1	Hub, Driver
9	56009199	1	Wsh, Flt Brass .26 x 1.25 x .12
10	56002155	1	Scr, Hex Hd 1/4-20 x .75
11	56003484	1	Scr, Hex Grd 8 1/4-20 x 1.75
12	56001995	2	Scr, Hex Hd 1/2-13 x 1.75
13	56497525	1	Motor, Main Broom TSB 731 & 777
*	56479577	1	Seal Kit for 56497525
	56418056	1	Idler Hub Assembly (#14-19)
14	56002956	1	Scr, Hex Hd Loc 5/16-18 x .75
15	56358959	1	Washer, Flat
16	56479430	2	Bearing, Ball
17	56493845	1	Hub, Idler
18	56479434	1	Bushing
19	56418057	1	Idler Arm Weldment

* = Not Shown

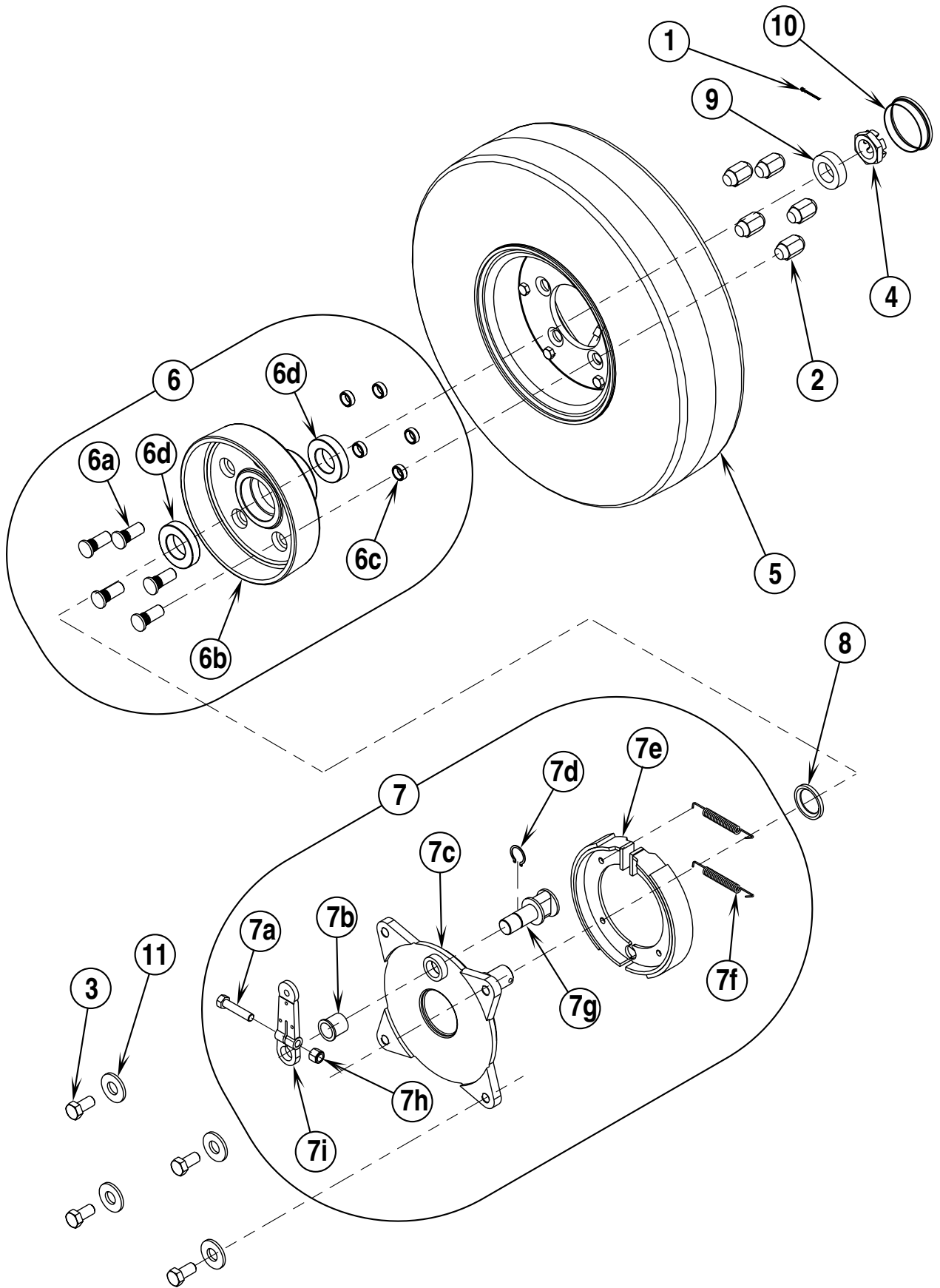
FRONT WHEEL SYSTEM

99-4

24

Retriever™ 2060

99-8



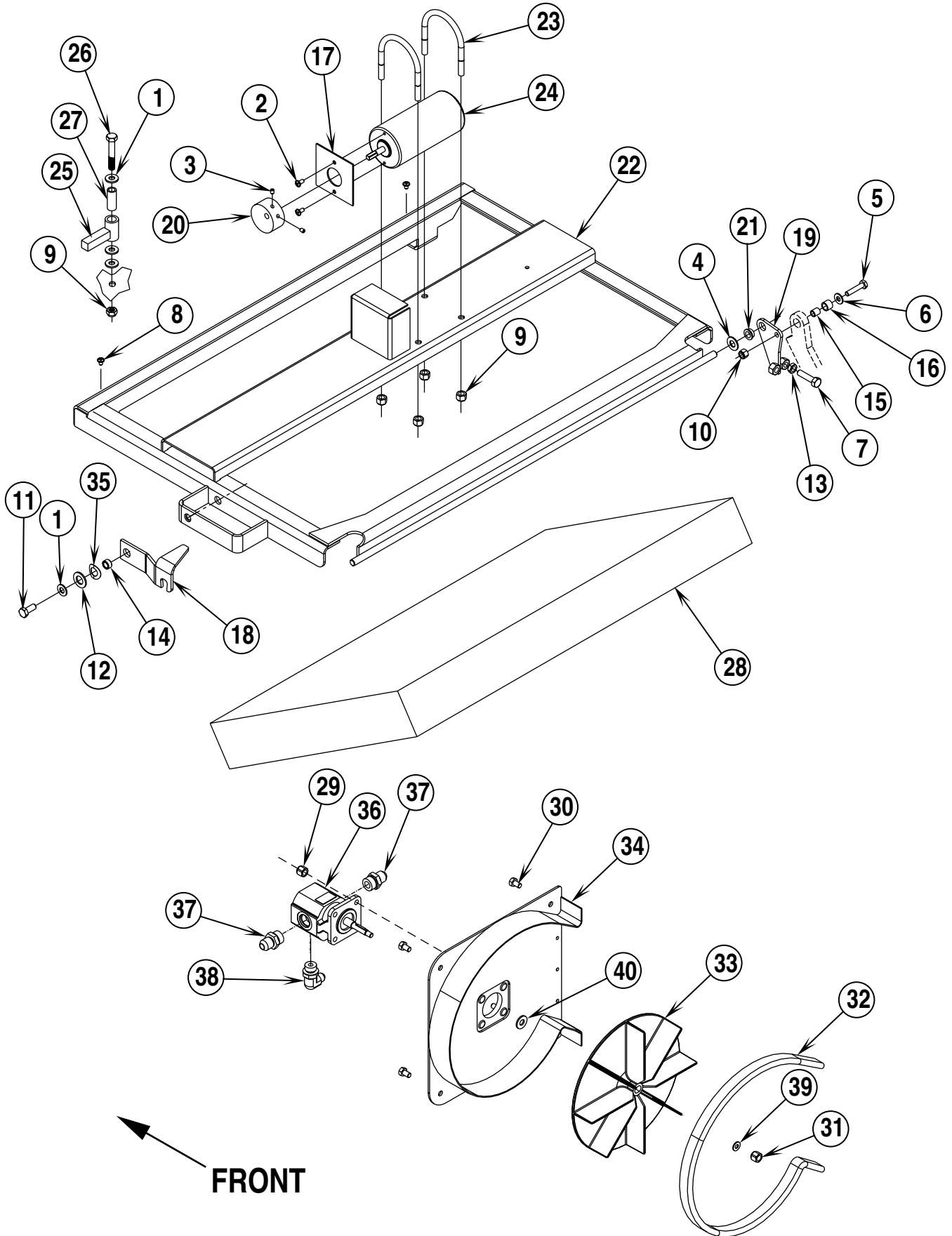
99-4	FRONT WHEEL SYSTEM			
01-11	Retriever™ 2060			25

Item	Ref. No.	Qty	Description
1	56002330	1	Pin Cotter 3/16 x 1.75
2	56003384	5	Nut, Lug M14 x 1.50
3	56003485	4	Scr, Hex Hd 1/2-20 x 1.00
4	56101265	1	Nut, Hex Castle 1-14 Thin
5	56418075	1	Tire Assembly
*	56003179	6	Scr, Hex Thd To Hd M8-1.25 x 20mm
*	56003389	6	Nut, Hex Nyl Loc M8-1.25
*	56418076	1	Rim, 8.00 x 3.75
*	56418077	1	Tire, 5.70 / 5.00-8N
*	56418371	1	Tube
**	56419328	1	Tire, Non-Marking
**	56418361	1	Tire, Cushion
6	56418124	1	Front Hub Assembly
6a	56418080	5	Stud, M14-1.50 x 35.3
6b	56418082	1	Hub, Front
6c	56418299	5	Bushing, .75 x .56 x .29
6d	56418472	2	Bearing, Ball
7	56418467	1	Brake Assembly
7a	56002684	1	Scr, Hex Hd 3/8-16 x 1.75
7b	56418582	1	Bearing, Flange
7c	56418578	1	Casting, Mount
7d	56003108	1	Ring, Ret Ext .75 Dia.
7e	56418473	2	Brake Shoe
7f	56418581	2	Spring
7g	56418579	1	Cam
7h	56002769	1	Nut, Hex Nyl Loc 3/8-16
7i	56418580	1	Lever
8	56418480	1	Washer, Adapter
9	56418481	1	Washer, Thick
10	56462696	1	Hub Cap
11	56001879	4	Wsh, Flt SAE 1/2

* = Not Shown

** = Optional

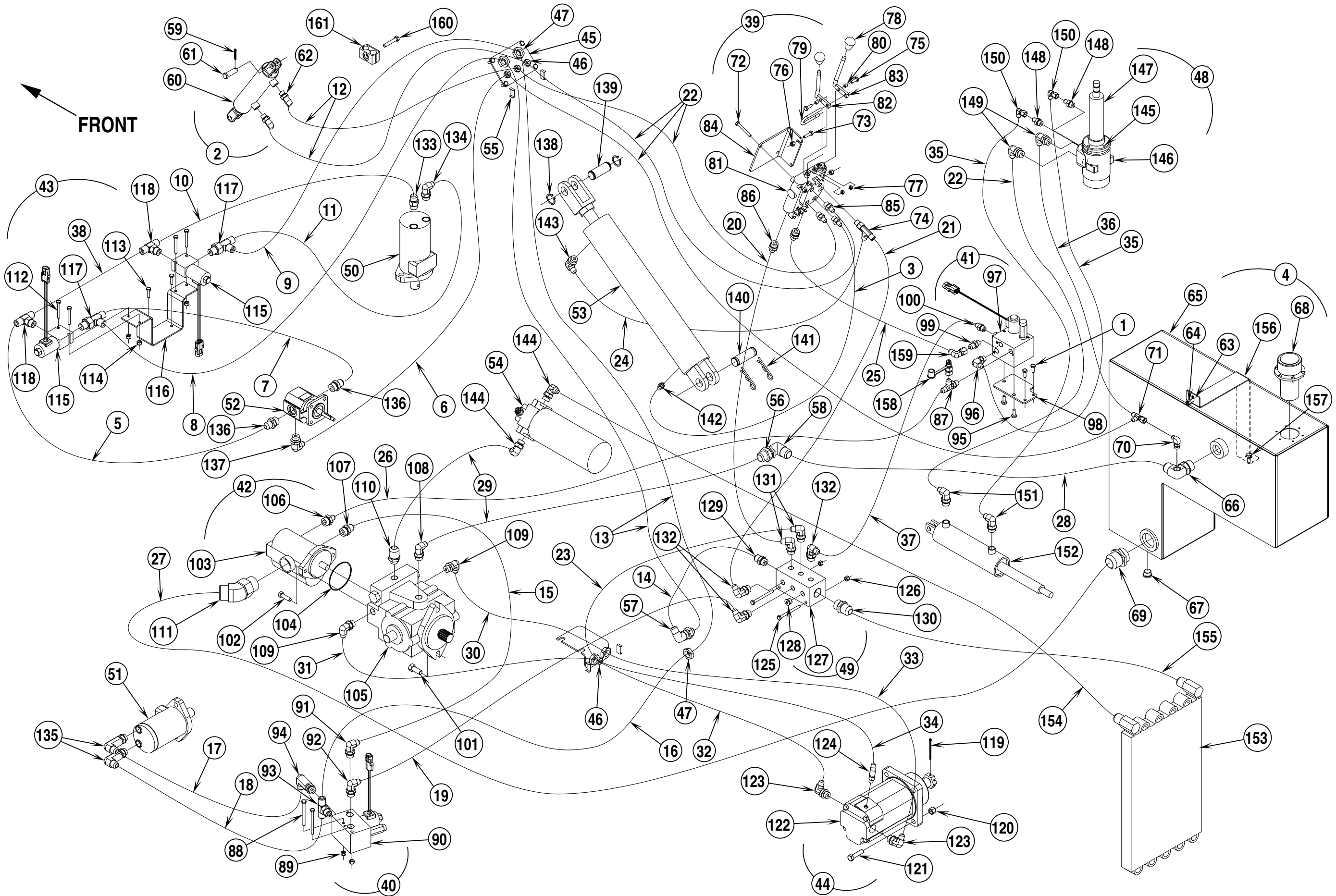
NOTE: All quantities shown on this page reflect one Front Wheel System only, there are two Front Wheel Systems on the machine.



99-4	DUST CONTROL SYSTEM		
01-9	Retriever™ 2060		27

Item	Ref. No.	Qty	Description
	56418253	1	Shaker Assembly (#1-24 & 35)
	56418488	1	Impeller Assembly (#29-34 & 40)
1	56001939	7	Wsh, Flt SAE 5/16
2	56002001	2	Scr, Pan Phil (UNF) 10-32 x .38
3	56002015	2	Scr, Soc Set Loc 10-24 x .25
4	56002063	2	Wsh, Flt SAE 3/8
5	56002093	2	Scr, Hex Hd 1/4-20 x 1.00
6	56002098	2	Wsh, Flt SAE 1/4
7	56002187	2	Scr, Hex Thd To Hd 5/16-18 x 1.25
8	56002453	2	Scr, Pan Phil 10-24 x .25
9	56002701	6	Nut, Hex Nyl Loc 5/16-18
10	56002708	2	Nut, Hex Nyl Loc 1/4-20
11	56002956	1	Scr, Hex Hd Loc 5/16-18 x .75
12	56009003	1	Wsh, Flt .51 x .93 x .07
13	56009086	2	Nut, Hex Jam 5/16-18
14	56320595	1	Bushing, .32 x .50 x .28
15	56321532	2	Bushing, .25 x .37 x .40
16	56370754	2	Bearing, Sleeve
17	56416280	1	Shield, Shaker
18	56416511	1	Latch, Shaker
19	56416625	2	Shaker Hinge Weldment
20	56416671	1	Eccentric
21	56416675	2	Bushing, Flange
22	56418234	1	Shaker Weldment
23	56468329	2	U-Bolt
24	56418389	1	Motor, 12 VDC
*	56418442	1	Cord Assembly, 18/2
*	56491823	1	Brush Kit
25	56416674	2	Filter Clamp Weldment
26	56002721	2	Scr, Hex Hd 5/16-18 x 2.00
27	56300241	2	Bushing
28	56482305	1	Filter
29	56002826	4	Nut, Hex Nyl Loc-Thin 5/16-18
30	56002923	4	Scr, Hex Hd Loc 5/16-18 x .50
31	56002866	1	Nut, Hex Nyl Loc-Thin 5/16-24
32	56419370	1	Trim-Seal
33	56418897	1	Impeller
34	56418784	1	Impellor Bracket weldment
35	56009001	1	Wsh, Bowed .516 x .906 x .008
36	56418895	1	Motor
*	56418823	1	Shaft Seal for 56418895
37	56900015	2	Connector, O-Ring
38	56900101	1	Elbow, 90 O-Ring
39	56001939	1	Wsh, Flt SAE 5/16
40	56009213	1	Wsh, Flt .392 x 1.00 x .075

* = Not Shown



HYDRAULIC SYSTEM

99-4

30

Retriever™ 2060

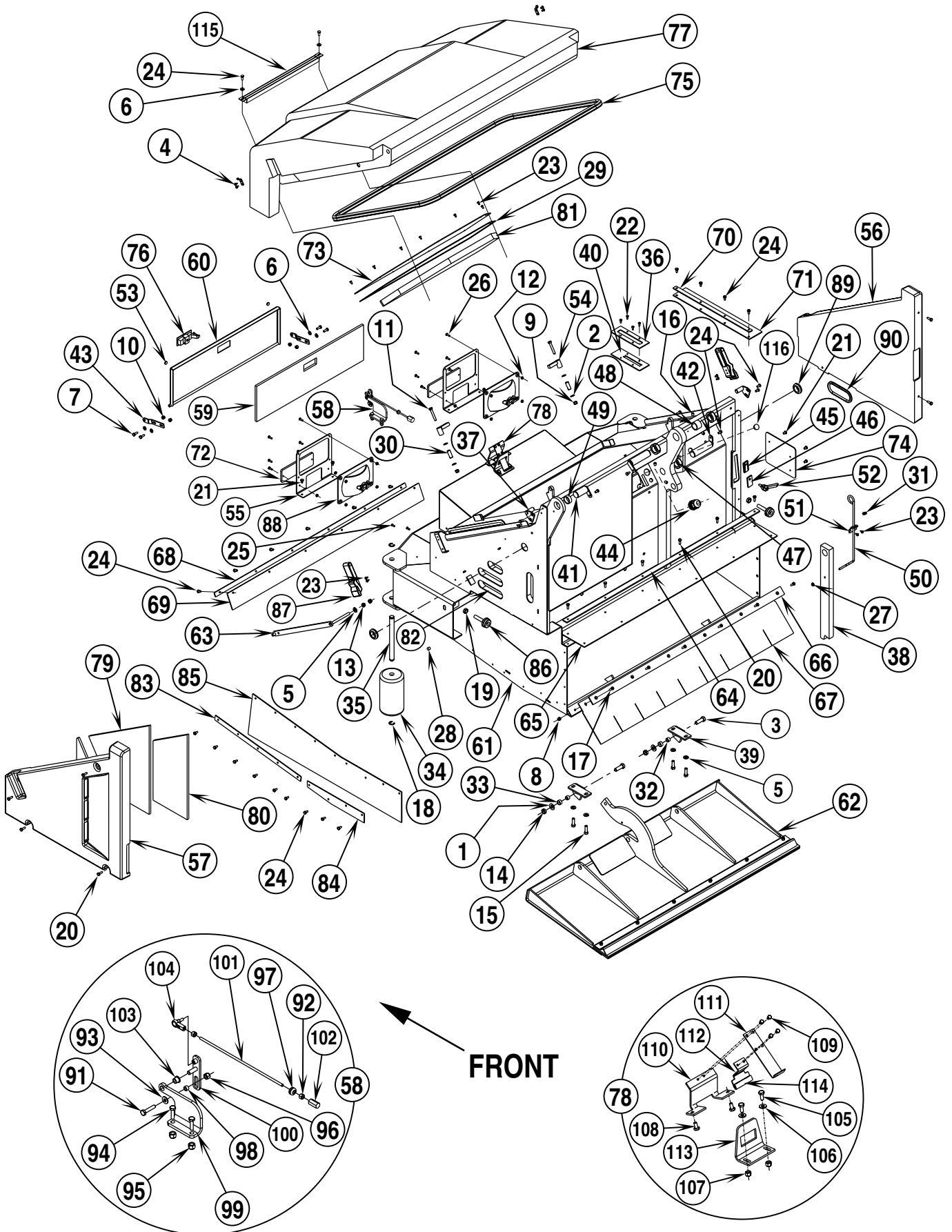
05-9

Item	Ref. No.	Qty	Description	Item	Ref. No.	Qty	Description
1	56009033	2	Scr, Hex Thd Form 1/4-20 x .50	52	56418759	1	Impeller Motor Assy (#136-137)
2	56416121	1	Hopper Door Cylinder Assembly (#59-62)		56418895	1	Motor, Impeller
3	56416487	1	Hose	*	56418823	1	Shaft Seal for 56418895
4	56418300	1	Reservoir Assembly (#63-71)	53	56418762	1	Lift Cylinder Assembly (#138-143)
5	56418311	1	Hose		56100038	1	Cylinder, Hopper
6	56418312	1	Hose	*	56479687	1	Seal Kit for 56100038
7	56418313	1	Hose	54	56418763	1	Filter Assembly (includes #144)
8	56418314	1	Hose		56456449	1	Filter, Oil
9	56418316	1	Hose	*	56002127	4	Scr, Hex Hd 3/8-16 x .75
10	56418320	1	Hose	55	56462977	2	Sleeve
11	56418319	1	Hose	56	56463423	1	Locknut, Bulkhead
12	56418321	2	Hose	57	56900404	1	Elbow, 90 Bulkhead Union
13	56418324	2	Hose	58	56900406	1	Elbow, 90 Bulkhead Union
14	56418323	1	Hose	59	56002529	2	Pin, Cotter 1/8 x 1
15	56418325	1	Hose	60	56416202	1	Cylinder, Hydraulic
16	56418326	1	Hose	61	56486733	2	Pin
17	56418327	1	Hose	62	56900110	2	Elbow, 90 O-Ring
18	56418328	1	Hose	63	56001834	1	Scr, Hex Hd 5/16-18 x 1.25
19	56418329	1	Hose	64	56002701	1	Nut, Hex Nyl Loc 5/16-18
20	56418330	1	Hose	65	56418128	1	Reservoir Weldment
21	56418331	1	Hose	66	56418730	1	Elbow, 90 O-Ring Modified
22	56418333	4	Hose	67	56463403	1	Plug, Hex Soc O-Ring
23	56418334	1	Hose	68	56479656	1	Cap, Filler
24	56418338	1	Hose	69	56900009	1	Connector, O-Ring
25	56418339	1	Hose	70	56900101	1	Elbow, 90 O-Ring
26	56418340	1	Hose	71	56900341	1	Tee
27	56418341	1	Hose	72	56001874	2	Scr, Hex Hd 1/4-20 x 2.00
28	56418342	1	Hose	73	56002093	2	Scr, Hex Hd 1/4-20 x 1.00
29	56418343	2	Hose	74	56900203	1	Tee, Run O-Ring
30	56418346	1	Hose	75	56002504	2	Scr, Hex Hd 10-24 x .75
31	56418347	1	Hose	76	56002708	5	Nut, Hex Nyl Loc 1/4-20
32	56418348	1	Hose	77	56002832	2	Nut, Hex Nyl Loc-Thin 10-24
33	56418349	1	Hose	78	56378534	2	Knob
34	56418350	1	Hose	79	56416246	1	U-Clip, Valve
35	56418351	2	Hose	80	56416394	2	Bushing
36	56418352	1	Hose	81	56418447	1	Valve, Directional Control
37	56418355	1	Hose	*	56418819	1	Seal for 56418447
38	56418356	1	Hose	82	56418657	1	Left Lever Weldment
39	56418659	1	Directional Control Valve Assembly (#72-86)	83	56418658	1	Right Lever Weldment
40	56418679	1	Broom Valve Assembly (#88-94)	84	56418660	1	Bracket, Valve
41	56418680	1	Divider Block Assembly (#87, 95-100)	85	56900011	3	Connector, O-Ring
42	56418681	1	Pump Assembly (#101-111)	86	56900013	2	Connector, O-Ring
43	56418734	1	Demand Valve Assembly (#112-118)	87	56900203	1	Tee, Run O-Ring
44	56419655	1	Wheel Motor Assembly (#119-124) TSBUS2005-904	88	56002603	2	Scr, Hex Hd 1/4-20 x 3.00
45	56418740	1	Plate, Bulkhead	89	56002708	2	Nut, Hex Nyl Loc 1/4-20
46	56418744	4	Locknut, Bulkhead	90	56418105	1	Valve, Solenoid
47	56418745	6	Locknut, Bulkhead	*	56418817	1	Seal Kit for 56418105
48	56418752	1	Steering Unit Assembly (#145-150)	91	56900104	1	Elbow, 90 O-Ring
49	56418753	1	Manifold, Hydraulic Assembly (#125-132)	92	56900111	1	Elbow, 90 O-Ring
50	56418757	1	Side Broom Motor Assembly (#133-134)	93	56900254	1	Tee, Branch O-Ring
	56418449	1	Motor, Side Broom	94	56900524	1	Elbow, 90 Long O-Ring
*	56479577	1	Seal Kit for 56418449	95	56002667	2	Scr, Hex Hd 5/16-18 x .75
51	56418758	1	Main Broom Motor Assy (includes #135)	96	56900110	1	Elbow, 90 O-Ring
	56497525	1	Motor, Main Broom TSB 731 & 777	97	56418102	1	Valve, Cartridge
*	56479577	1	Seal Kit for 56497525	*	56418818	1	Seal for 56418102
				98	56418756	1	Plate, Valve Mount
				99	56900003	1	Connector, O-Ring
				100	56900011	1	Connector, O-Ring
				101	56001831	2	Scr, Hex Hd 1/2-13 x 1.25

99-4	HYDRAULIC SYSTEM			
05-9	Retriever™ 2060			31

Item	Ref. No.	Qty	Description	Item	Ref. No.	Qty	Description
102	56002254	2	Scr, Hex Hd 3/8-24 x 1.25	131	56900103	2	Elbow, 90 O-Ring
103	56418108	1	Pump, Dual Gear	132	56900110	3	Elbow, 90 O-Ring
*	56418820	1	Seal Kit for 56418108	133	56418462	1	Valve, Check
104	56488002	1	O-Ring	134	56900104	1	Elbow, 90 O-Ring
105	56497918	1	Pump, Piston	135	56900524	2	Elbow, 90 Long O-Ring
*	56418825	1	Seal Kit for 56497918	136	56900015	2	Connector, O-Ring
106	56900014	1	Connector, O-Ring	137	56900101	1	Elbow, 90 O-Ring
107	56900015	1	Connector, O-Ring	138	56003258	2	Ring, Ret Ext
108	56900106	1	Elbow, 90 O-Ring New 1.06-12 x 1.06-12	139	56418625	1	Pin, Cylinder Short
	56900909	1	Elbow, 90 O-Ring Old 1.06-12 x 3/4-16	140	56477581	1	Pin
109	56900116	2	Elbow, 90 O-Ring	141	56477583	2	Pin, .15 Hairpin Cotter
110	56900486	1	Connector, O-Ring	142	56900001	1	Connector, O-Ring
111	56900915	1	Elbow, 45 Str. Thd.	143	56900101	1	Elbow, 90 O-Ring
112	56001874	4	Scr, Hex Hd 1/4-20 x 2.00	144	56900106	2	Elbow, 90 O-Ring
113	56009033	2	Scr, Hex Thd Form 1/4-20 x .50	145	56003174	4	Scr, Hex Thd to Hd M8-1.25 x 16mm
114	56002708	4	Nut, Hex Nyl Loc 1/4-20	146	56418452	1	Steering Control Unit
115	56418104	2	Valve, Solenoid	147	56477003	1	Steering Column
*	56418816	1	Seal Kit for 56418104	148	56900011	2	Connector, O-Ring
116	56418461	1	Bracket, Valve	149	56900110	2	Elbow, 90 O-Ring
117	56900204	2	Tee, Run O-Ring	150	56900301	2	Elbow, 90 W/Nut
118	56900254	2	Tee, Branch O-Ring	151	56900101	2	Elbow, 90 O-Ring
119	56002574	1	Pin, Cotter 5/32 x 3.00	152	56418441	1	Cylinder, Hydraulic
120	56002770	4	Nut, Hex Nyl Loc 1/2-13	153	56418466	1	Cooler, Hydraulic Oil TSB 721
121	56002983	4	Scr, Hex Hd 1/2-13 x 2.00	154	56418344	1	Hose
122	56419653	1	Motor, Wheel TSB 775, TSBUS2005-904	155	56418345	1	Hose
*	56418833	1	Seal Kit for 56419653	156	56418787	1	Strap, Hydraulic Reservoir
123	56900116	2	Elbow, 90 O-Ring	157	56002037	1	Scr, Hex Hd 5/16-18 x .88
124	56900151	1	Elbow, 45 O-Ring W/Nut	158	56418865	1	Coupling, #6 Test Port
125	56002603	2	Scr, Hex Hd 1/4-20 x 3.00	159	56900303	1	Elbow, 90 W/Nut
126	56002708	2	Nut, Hex Nyl Loc 1/4-20	160	56003005	1	Scr, Hex Hd 5/16-18 x 1.75
127	56418109	1	Manifold, Hydraulic	161	56462945	1	Clamp, Twin
128	56418776	1	Plug, Hex Soc O-Ring				
129	56900004	1	Connector, O-Ring				
130	56900006	1	Connector, O-Ring				

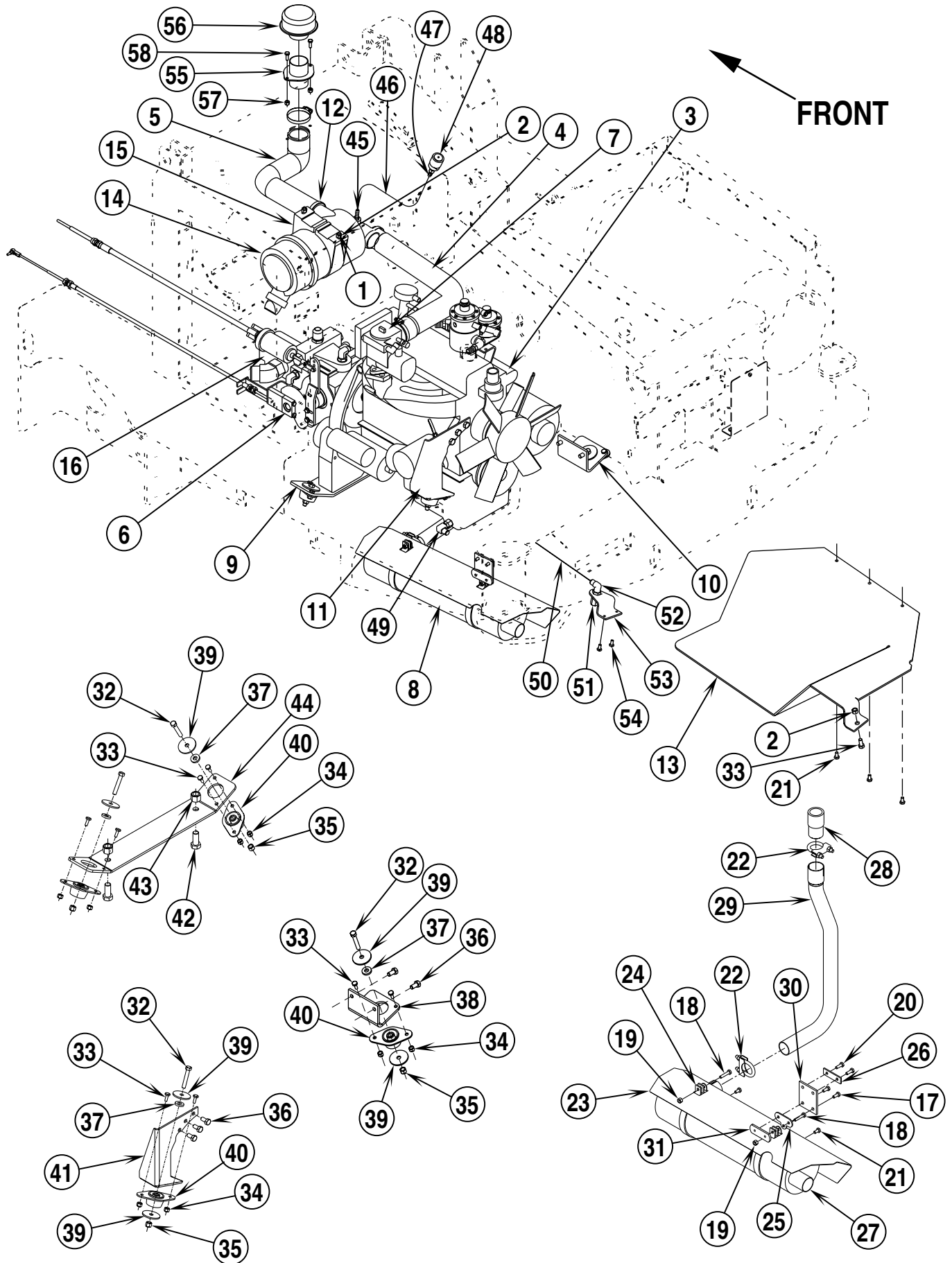
* = Not Shown



99-4	HOPPER SYSTEM		
00-12	Retriever™ 2060		33

Item	Ref. No.	Qty	Description	Item	Ref. No.	Qty	Description
1	56001879	2	Wsh, Flt SAE 1/2	62	56419263	1	Dump Door Assy.
2	56001939	4	Wsh, Flt SAE 5/16	*	56002491	6	Nut, Hex Nyl Loc SS 1/4-20
3	56001968	2	Scr, Hex Hd 1/2-13 x 1.50	*	56002897	6	Scr, Hex Hd SS 1/4-20 x 1.25
4	56002043	4	Scr, Pan Phil 10-24 x .38	*	56419258	1	Dump Door Weld't.
5	56002063	5	Wsh, Flt SAE 3/8	*	56418283	1	Angle, Dump Door
6	56002098	6	Wsh, Flt SAE 1/4	*	56418284	1	Blade, Dump Door
7	56002155	4	Scr, Hex Hd 1/4-20 x .75	63	56418255	1	Hood Prop Weld't.
8	56002491	6	Nut, Hex Nyl Loc SS 1/4-20	64	56418288	1	Strap, Horizontal Seal
9	56002701	2	Nut, Hex Nyl Loc 5/16-18	65	56418289	1	Seal, Horizontal
10	56002708	4	Nut, Hex Nyl Loc 1/4-20	66	56418292	1	Strap, Threshold
11	56002721	2	Scr, Hex Hd 5/16-18 x 2.00	67	56418982	1	Skirt, Threshold
12	56002832	12	Nut, Hex Nyl Loc-Thin 10-24	68	56418294	1	Strap, Inside Blade
13	56002841	2	Nut, Hex Nyl Loc-Thin 3/8-16	69	56418295	1	Blade, Inside
14	56002843	2	Nut, Hex Nyl Loc-Thin 1/2-13	70	56418296	1	Strap, Dust Shield
15	56003029	4	Scr, Hex Hd Loc 3/8-16 x 1.25	71	56418297	1	Shield, Dust
16	56003081	4	Scr, Soc Set Loc 3/8-16 x .38	72	56418373	2	Lens, Amber
17	56003086	6	Scr, Flt Phil SS 1/4-20 x .88	73	56418453	1	Panel, Access
18	56003266	4	Ring, Ret Ext Type E .75 Dia.	74	56418664	1	Cover
19	56009016	2	Nut, Hex Jam 1/2-13	75	56418815	1	Gasket
20	56009018	15	Scr, Hex Thd Form 1/4-20 x .75	76	56418827	1	Latch, Lift & Turn
21	56009019	6	Scr, Hex Thd Form 1/4-20 x .38	77	56418842	1	Cover, Hopper
22	56009029	4	Scr, Pan Phil Thd Form 10-24 x .50	78	56418847	1	Latch Assy (#105-114)
23	56009030	14	Scr, Pan Phil Thd Form 10-24 x .38	79	56418860	1	Foam
24	56009033	28	Scr, Hex Thd Form 1/4-20 x .50	80	56418861	1	Foam
25	56009039	2	Scr, Hex Thd Form 10-24 x .50	81	56418862	1	Foam
26	56009100	12	Scr, Pan Phil Thd Form-Blk 10-24 x .62	82	56418863	1	Foam
27	56009132	1	Nut, Push Cap 1/4	83	56418942	1	Strap, Side Blade
28	56106046	1	Pipe, Plug 1/8 Brass	84	56418943	1	Strap, Side Blade
29	56200754	6.5'	Gasket, Strip Raw	85	56418944	1	Blade, Litter Shield
30	56300241	2	Bushing .33 x .50 x 1.30	86	56449221	2	Bumper, 1.43 Dia.
31	56302164	1	Bearing, Flange	87	56462746	2	Latch
32	56360627	2	Bushing	88	56481543	2	Headlight
33	56370878	2	Bearing, Sleeve	89	56486116	2	Grommet
34	56409335	2	Bumper	90	56419109	1	Edge Trim, Rubber
35	56409336	2	Pin	91	56001878	1	Scr, Hex Hd 1/4-20 x 1.25
36	56419265	2	Plate, Boot	92	56001987	2	Nut, Hex Machine 10-32
37	56416247	2	Hopper Cover Hinge Weld't.	93	56002098	1	Wsh, Flt SAE 1/4
38	56416250	1	Hopper Prop	94	56002221	2	Scr, Hex Hd 5/16-18 x 1.00
39	56416253	2	Hinge Weld't.	95	56002701	2	Nut, Hex Nyl Loc 5/16-18
40	56419264	1	Boot, Hopper	96	56002708	1	Nut, Hex Nyl Loc 1/4-20
41	56416308	1	Left Hinge Pin Weld't.	97	56321559	1	Grommet
42	56416309	2	Right Hinge Pin Weld't.	98	56379298	1	Bushing
43	56416365	2	Plate, Hinge	99	56418152	1	Bracket
44	56416406	1	Strain Relief	100	56418154	1	Lever Weld't.
45	56416411	1	Stop, Broom	101	56418160	1	Rod
46	56416412	1	Stop, Broom	102	56418889	1	Nut
47	56416498	3	Collar, Hopper Hinge	103	56444502	1	Bearing, Flange
48	56416535	1	Bearing, Sleeve	104	56488290	1	Rod End
49	56416536	1	Bearing, Sleeve	105	56001836	2	Scr, Hex Hd 1/4-20 x .62
50	56416590	1	Rod, Pull	106	56002098	2	Wsh, Flt SAE 1/4
51	56416592	1	Guide, Pull Rod	107	56002708	2	Nut, Hex Nyl Loc 1/4-20
52	56416597	1	Handle, Adjustable	108	56003039	2	Scr, Hex Hd Loc 1/4-20 x .50
53	56416668	2	Bumper, Self-Adhesive	109	56009063	4	Scr, Hex Thd Form 10-24 x .25
54	56416674	2	Filter Clamp Weld't.	110	56418843	1	Bracket, Latch
55	56418086	2	Bracket, Headlight	111	56418844	1	Latch
56	56418126	1	Panel, Hopper, Right	112	56418845	1	Latch Pull
57	56418127	1	Panel, Hopper, Left	113	56418846	1	Strike, Latch
58	56418157	1	Switch Actuator Assy (#91-104)	114	56755581	2"	Trim (5cm)
59	56418172	1	Gasket, Litter Door	115	56419322	1	Grille Weldment
60	56418229	1	Litter Door Weld't.	116	56900041	1	Plug, Cap
61	56418245	1	Hopper Weld't.				

* = Not Shown



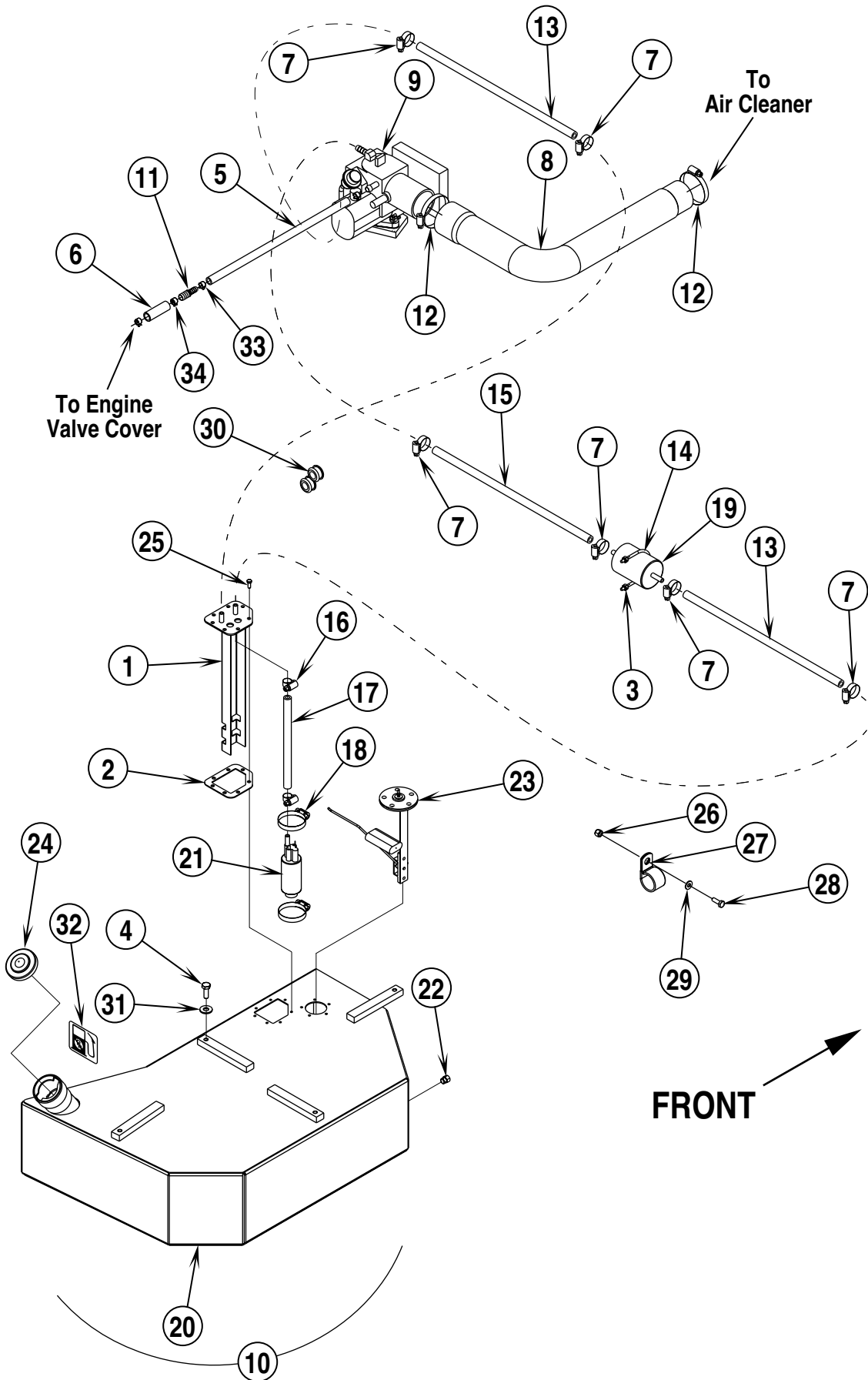
99-4	ENGINE ASSEMBLY			
04-3	Retriever™ 2060			35

Item	Ref. No.	Qty	Description	Item	Ref. No.	Qty	Description
1	56001834	2	Scr, Hex Hd 5/16-18 x 1.25	32	56002058	4	Scr, Hex Hd 3/8-16 x 2.25
*	56001939	2	Wsh, Flt SAE 5/16	33	56002667	9	Scr, Hex Hd 5/16-18 x .75
2	56002701	3	Nut, Hex Nyl Loc 5/16-18	34	56002701	8	Nut, Hex Nyl Loc 5/16-18
3	56418101	1	Engine, 1.3L	35	56002769	4	Nut, Hex Nyl Loc 3/8-16
4	56418429	1	Hose, Air Inlet	36	56003442	5	Scr, Hex Nyl Loc M10-1.5 x 20mm
5	56418430	1	Hose, Flexible Air Inlet	37	56009106	4	Wsh, Flt .453 x 1.00 x .179
6	56418783	1	Linkage Assembly (see Drive Pedal Linkage)	38	56418093	1	Bracket, Left Engine Mount
7	56418731	1	Propane Assembly (see associated pages)	39	56009274	6	Washer
	56418732	1	Dual Fuel Assembly (see associated pages)	40	56418099	4	Mount, Isolator
	56418733	1	Gasoline Assembly (see associated pages)	41	56418094	1	Bracket, Right Engine Mount
8	56418779	1	Muffler Assembly (#17-31)	42	56001843	2	Scr, Hex Hd 5/8-11 x 1.50
9	56418780	1	Rear Engine Mount Assembly (#32-35, 37, 39-40, 42-44)	43	56002771	2	Nut, Hex Nyl Loc 5/8-11
10	56418781	1	Left Engine Mount Assembly (#32-40)	44	56418092	1	Bracket, Rear Engine Mount
11	56418782	1	Right Engine Mount Assembly (#32-37, 39-41)	45	56477523	1	Barb, Adapter 5/16-18 NPT
12	56440213	4	Clamp, Hose SAE #32	46	56478488	1	Hose
13	56418850	1	Fuel Tank Guard Weldment (gasoline and dual fuel models only)	47	56751300	1	Barb, Hose Female
14	56482478	1	Cleaner, Air	48	56478461	1	Indicator, Service
*	56482029	1	Primary Element	49	56900918	1	Elbow, 90 Flare
*	56482028	1	Safety Element	50	56418315	1	Hose
15	56482621	1	Band Assembly	51	56900917	1	Cap, Flare Tube End
16	56418681	1	Pump Assembly (see Hydraulic System)	52	56900403	1	Elbow, 90 Bulkhead Union
17	56001836	2	Scr, Hex Hd 1/4-20 x .62	53	56418951	1	Bracket, Oil Drain
18	56001878	2	Scr, Hex Hd 1/4-20 x 1.25	54	56009033	2	Scr, Hex Thd Form 1/4-20 x .50
19	56002708	2	Nut, Hex Nyl Loc 1/4-20		56419313	1	Inlet Hood Assembly (#55-58) NOTE 1
20	56009018	2	Scr, Hex Thd Form 1/4-20 x .75	55	56419314	1	Flange Weldment
21	56009033	5	Scr, Hex Thd Form 1/4-20 x .50	56	56419312	1	Hood, Inlet
22	56343236	2	Clamp, Muffler	57	56002708	2	Nut, Hex Nyl Loc 1/4-20
23	56418222	1	Shield, Heat	58	56002155	2	Scr, Hex Hd 1/4-20 x .75
24	56418225	2	Clamp Weldment	*	56463608	1	Alternator
25	56418228	1	Plate, Muffler Hanging	*	56418718	1	Engine Cooling Fan
26	56418376	1	Strap	*	56002035	1	Scr, Hex Hd 5/16-18 x .62
27	56418414	1	Muffler	*	56002155	2	Scr, Hex Hd 1/4-20 x .75
28	56418525	1	Nipple, Exhaust	*	56418661	1	Spacer, Fan
29	56418597	1	Exhaust Pipe Weldment	*	56418726	1	Engine Thermostat
30	56478726	1	Mount	*	56418719	1	Engine Starter
31	56481468	1	Nut Plate	*	56418725	1	Fan Belt, Engine
				*	56418729	1	Switch, Engine Oil Pressure
				*	56469193	1	Clamp Set, Battery
				*	56418907	1	Standoff, Battery (used with 56469193)
				*	56462862	1	Engine Oil Filter
				*	56462887	1	Ignition Coil TSB 782
				*	56463859	1	Ignition Coil TSB 782
				*	56463575	1	Spark Plug Wire Set TSB 782
				*	56463854	1	Spark Plug Wire Set TSB 782
				**	56419301	1	Stiff Engine Mount Kit

* = Not Shown

** = Optional

NOTE 1: Earlier machines can be updated to include this change by ordering kit PN 56419321. See **TSB 735**.



99-4	GASOLINE ASSEMBLY		
00-12	Retriever™ 2060		37

Item	Ref. No.	Qty	Description
	56418733	1	Gasoline Assembly (#1-34)
1	56418789	1	Fuel Pump Bracket
2	56418795	1	Gasket
3	56002768	2	Nut, Hex Nyl Loc 10-24
4	56002929	4	Scr, Hex Hd Loc 5/16-18 x .62
5	56150231	14"	PVC Tube
6	56150233	2"	PVC Tube
7	56219932	6	Clamp, Hose SAE #6
8	56418429	1	Hose, Air Inlet
9	56418486	1	Gasoline Injection Assembly
*	56418811	1	Throttle Body, Gasoline
*	56418813	1	Injector, Gasoline
10	56418508	1	Fuel Tank Assembly (#20-25)
11	56418669	1	Reducer, Barb
12	56440213	2	Clamp, Hose SAE #32
13	56459054	2	Hose, Fuel Line
14	56459830	1	U-Bolt
15	56418822	1	Hose, Fuel Line
16	56756364	2	Clamp, Hose SAE #4
17	56478488	1	Hose, Fuel Line
18	56329145	2	Clamp, Hose SAE #24
19	56418509	1	Fuel Filter
20	56418185	1	Fuel Tank Weldment
21	56418793	1	Fuel Pump
	56418794	1	Fuel Pump Assembly (1, 2, 16-18, 21)
22	56481546	1	Plug, Hex Pipe
23	56478358	1	Sender, Fuel Tank
24	56478502	1	Fuel Tank Cap Vented
25	56009039	7	Scr, Hex Thd Form 10-24 x .50
*	56419307	1	Strainer (shipped with fuel pump 56418793)
26	56002708	1	Nut, Hex Nyl Loc 1/4-20
27	56409463	1	Clamp, Hose Support
28	56002155	1	Scr, Hex Hd 1/4-20 x .75
29	56002098	1	Wsh, Flt SAE 1/4
30	56453254	2	Grommet
31	56001939	4	Wsh, Flt SAE 5/16
*	56418835	1	Conduit
*	56489598	1	Gauge, Fuel Level
32	56016226	1	Decal, Unleaded Fuel
33	56419118	2	Clamp, Hose Band
34	56419119	2	Clamp, Hose Band

* = Not Shown

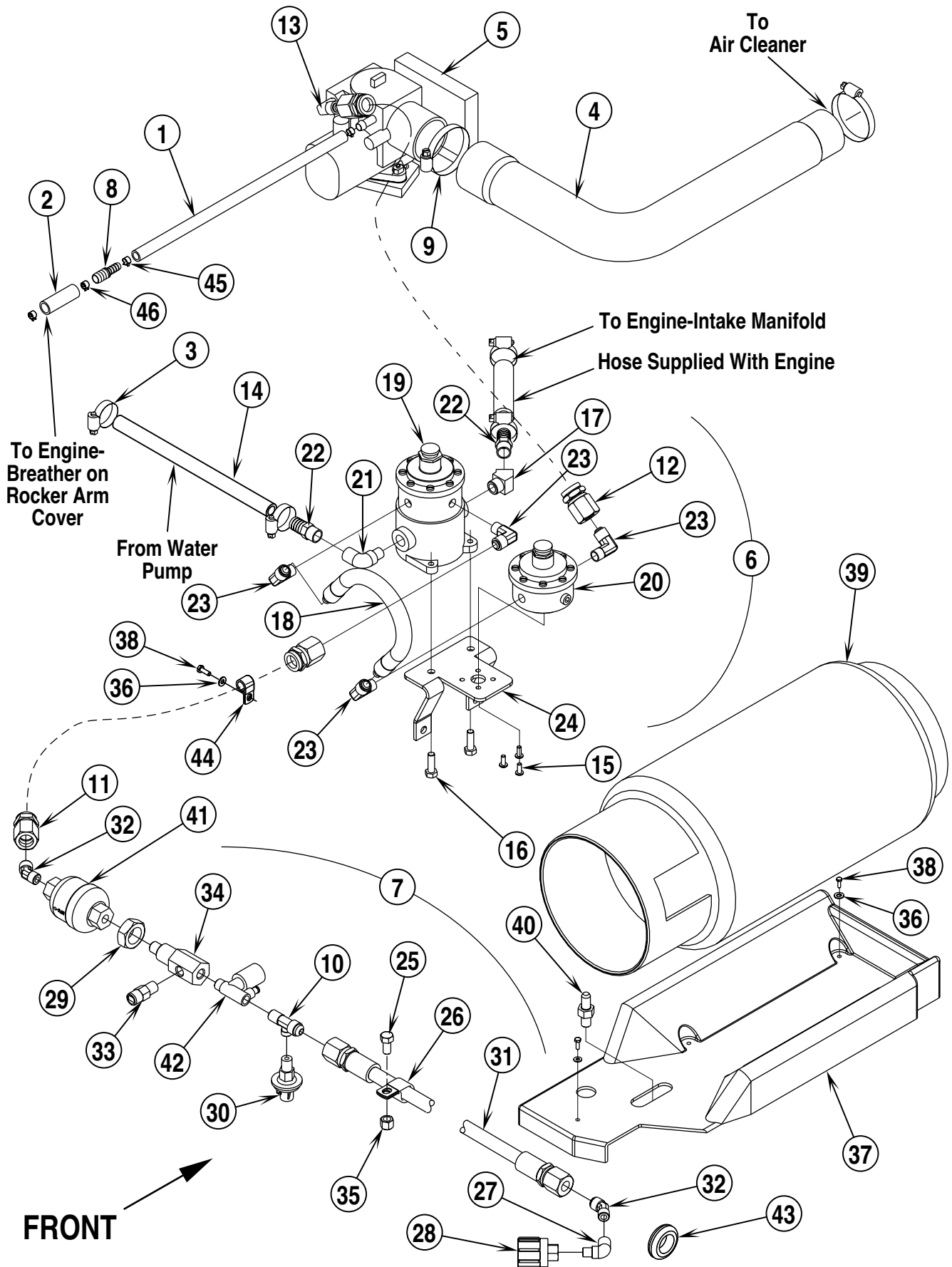
PROPANE ASSEMBLY

99-4

38

Retriever™ 2060

00-3



99-4	PROPANE ASSEMBLY			
00-5	Retriever™ 2060			39

Item	Ref. No.	Qty	Description	Item	Ref. No.	Qty	Description
	56418731	1	Propane Assembly (#1-46)	26	56419120	1	Clamp, Hose Support
1	56150231	14"	PVC Tube	27	56369632	1	Elbow, 90 Street
2	56150233	2"	PVC Tube	28	56369675	1	Coupler, Female
3	56244969	4	Clamp, Hose SAE #12	29	56002615	1	Nut, Hex Jam 7/8-14
4	56418429	1	Hose, Air Inlet	30	56418381	1	Switch, N.C. Pressure
				31	56456591	1	Hose
5	56419160	1	Propane Injection Assy 12 psi NOTE 1 (also includes #41 & 42) (after SN 1359051)	32	56456598	2	Elbow, 45 Male 45 Flared
*	56418810	1	Throttle Body, LP	33	56456624	1	Vent, 1/4 NPT
*	56418812	1	Injector, LP	34	56418934	1	Fitting, Bulkhead
	56418484	1	Propane Injection Assy 24 psi NOTE 1 (also includes #41 & 42) (before SN 1359052)	35	56002769	1	Nut, Hex Nyl Loc 3/8-16
*	56418810	1	Throttle Body, LP	36	56002098	6	Wsh, Flt SAE 1/4
*	56418812	1	Injector, LP	37	56418742	1	Cradle, LP Tank
				38	56009018	6	Scr, Hex Thd Form 1/4-20 x .75
				39	56456590	1	L.P. Tank, 33 lbs.
				40	56418741	1	Pin, locator
6	56419162	1	Regulator Assembly 12 psi (#15-24) (after SN 1359051)	41	56418910	1	L.P. Filter
	56418624	1	Regulator Assembly 24 psi (#15-24) (before SN 1359052)	42	56418305	1	Fuel Lock Off Solenoid
				43	56486116	1	Grommet
7	56418626	1	Filter Assembly (#10, 25-35)	44	56419120	1	Clamp, Hose Support
8	56418669	1	Reducer, Barb	45	56419118	2	Clamp, Hose Band
9	56440213	2	Clamp, Hose SAE #32	46	56419119	2	Clamp, Hose Band
10	56900921	1	Tee				
11	56456591	1	LPG Hose Assembly				* = Not Shown
12	56456593	1	LPG Hose Assembly				
13	56456608	1	Elbow, Male				
14	56418913	1	Hose, Heater				
15	56001993	3	Scr, Pan Phil 10-24 x .50				
16	56003073	2	Scr, Hex Hd Loc 5/16-18 x 1.00				
17	56368938	1	Elbow, 45 Street				
18	56418735	1	Hose				
19	56419235	1	Primary LPG Regulator Assy. 12 psi (after SN 1359051)				
	56418303	1	Regulator, Primary (before SN 1359052)				
20	56419163	1	Secondary LPG Regulator Assembly (after SN 1359051)				
	56418304	1	Regulator, Secondary (before SN 1359052)				
21	56900021	1	Elbow, 90 Street				
22	56456436	2	Barb, Adapter 5/8 x 3/8 NPT				
23	56456608	4	Elbow, Male 90				
24	56418540	1	Bracket, Regulator				
25	56002127	1	Scr, Hex Hd 3/8-16 x .75				

NOTE 1: Machines before SN 1659052 used a 24 psi fuel injection system, while machines after that Serial Number use a 12 psi fuel injection system. The parts are not interchangeable from the 24 to the 12 psi systems, although the entire 24 psi assembly (56418484) can be replaced with the entire 12 psi assembly (56419160).

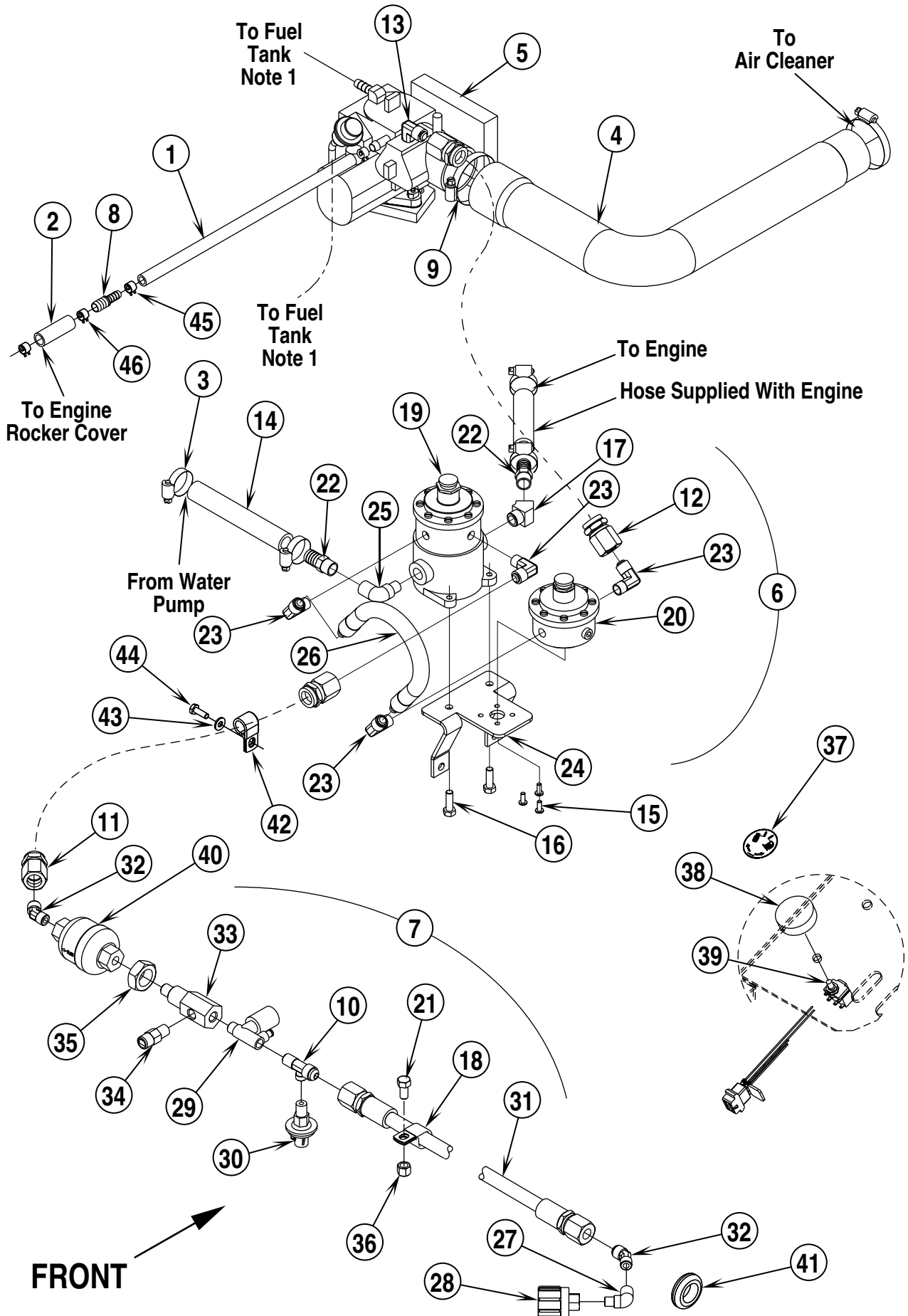
DUAL FUEL ASSEMBLY

99-4

40

Retriever™ 2060

00-3



99-4	DUAL FUEL ASSEMBLY			
05-9	Retriever™ 2060			41

Item	Ref. No.	Qty	Description	Item	Ref. No.	Qty	Description
	56418732	1	Dual Fuel Assembly (#1-46)	22	56456436	2	Barb, Adapter 5/8 x 3/8 NPT
1	56150231	14"	PVC Tube	23	56456608	4	Elbow, Male 90
2	56150233	2"	PVC Tube	24	56418540	1	Bracket, Regulator
3	56244969	4	Clamp, Hose SAE #12	25	56900021	1	Elbow, 90 Street
4	56418429	1	Hose, Air Inlet	26	56418735	1	Hose
5	56419161	1	Dual Fuel Injection Assembly NOTE 3 (includes #6, 40) (after SN 1135328)	27	56369632	1	Elbow, 90 Street
*	56418809	1	Throttle Body, Dual	28	56369675	1	Coupler, Female
*	56418812	1	Injector, LP	29	56418305	1	Valve, Shut Off
*	56418813	1	Injector, Gasoline	30	56418381	1	Switch, N.C. Pressure
*	56418509	1	Inline Fuel Filter (gas)	31	56456591	1	Hose
*	56418805	1	Sensor, Air Temp	32	56456598	2	Elbow, 45 Male 45 Flared
*	56419164	1	Elec. Control Unit	33	56418934	1	Fitting, Bulkhead
*	56418305	1	Fuel Lockoff	34	56456624	1	Vent, 1/4 NPT
	56418485	1	Dual Fuel Injection Assembly NOTE 3 (includes #6, 40) (before SN 1135329)	35	56002615	1	Nut Hex Jam 7/8-14
*	56418809	1	Throttle Body, Dual	36	56002769	1	Nut, Hex Nyl Loc 3/8-16
*	56418812	1	Injector, LP	*	56016226	1	Decal, Unleaded Fuel
*	56418813	1	Injector, Gasoline	37	56016255	1	Decal, Dual Fuel Knob
*	56418509	1	Inline Fuel Filter (gas)	38	56418688	1	Knob
*	56418805	1	Sensor, Air Temp	39	56418409	1	Rotary Switch
*	56418803	1	Elec. Control Unit	*	56418835	1	Conduit
*	56418305	1	Fuel Lockoff	*	56489598	1	Gauge, Fuel Level
6	56419162	1	Regulator Assembly 12 psi (#15-17, 19-20, 26) (after SN 1135328)	40	56418910	1	LP Filter
	56418624	1	Regulator Assembly 24 psi (#15-17, 19-20, 26) (before SN 1135329)	41	56486116	1	Grommet
7	56418626	1	Filter Assembly (#10, 18, 21, 27, 28, 30-36)	42	56419120	1	Clamp, Hose Support
8	56418669	1	Reducer, Barb	43	56002098	1	Wsh Fit SAE 1/4
9	56440213	2	Clamp, Hose SAE #32	44	56009018	1	Scr, Hex Thd Form 1/4-20 x .75
10	56900921	1	Tee	45	56419118	2	Clamp, Hose Band
11	56456591	1	LPG Hose Assembly	46	56419119	2	Clamp, Hose Band
12	56418735	1	LPG Hose Assembly				
13	56456608	1	Elbow, Male				
14	56418913	1	Hose, Heater				
15	56001993	3	Scr, Pan Phil 10-24 x .50				
16	56003073	2	Scr, Hex Hd Loc 5/16-18 x 1.00				
17	56368938	1	Elbow, 45 Street				
18	56419120	1	Clamp, Hose Support				
19	56419235	1	Primary LPG Regulator Assy. 12 psi (after SN 1135328)				
	56418303	1	Regulator (before SN 1135329)				
20	56419163	1	Secondary LPG Regulator Assy 12 psi (after SN 1135328)				
	56418304	1	Regulator (before SN 1135329)				
21	56002127	1	Scr, Hex Hd 3/8-16 x .75				

* = Not Shown

NOTE 1: Refer to the Gasoline System for the gasoline tank and related items.

NOTE 2: Refer to the Propane System for the Propane tank and related items.

NOTE 3: Machines before SN 1135329 used a 24 psi fuel injection system, while machines after that Serial Number use a 12 psi fuel injection system. The parts are not interchangeable from the 24 to the 12 psi systems, although the entire 24 psi assembly (56418485) can be replaced with the entire 12 psi assembly (56419161).

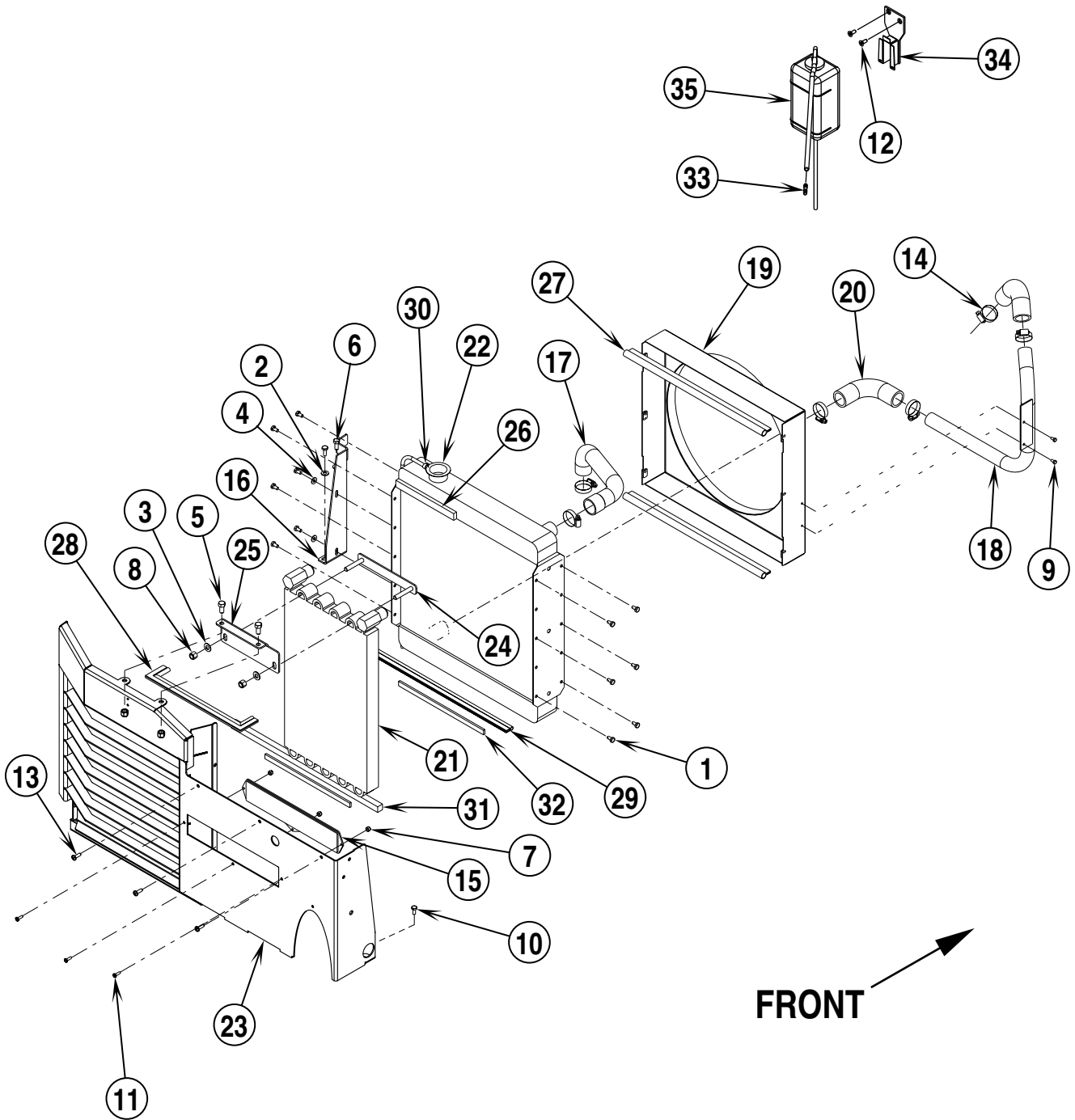
RADIATOR ASSEMBLY (before July 2000)

99-4

42

Retriever™ 2060

00-11



99-4	RADIATOR ASSEMBLY (before July 2000)		
04-6	Retriever™ 2060		43

Item	Ref. No.	Qty	Description
	56418089	1	Radiator Assembly (#1-33)
1	56001854	12	Scr, Hex Hd 1/4-20 x .50
2	56001939	2	Wsh, Flt SAE 5/16
3	56002063	2	Wsh, Flt SAE 3/8
4	56002098	2	Wsh, Flt SAE 1/4
5	56002127	2	Scr, Hex Hd 3/8-16 x .75
6	56002667	2	Scr, Hex Hd 5/16-18 x .75
7	56002768	3	Nut, Hex Nyl Loc 10-24
8	56002769	4	Nut, Hex Nyl Loc 3/8-16
9	56009012	2	Scr, Hex Thd Form 10-24 x .38
10	56009033	1	Scr, Hex Thd Form 1/4-20 x .50
11	56009100	3	Scr, Pan Phil Thd Form-Blk 10-24 x .62
12	56009137	2	Scr, Flt Phil Thd Form 1/4-20 x .62
13	56009248	3	Scr, Pan Phil Thd Form-Blk 1/4-20 x .75
14	56131601	6	Clamp, Hose SAE #16
15	56416418	1	Lens, Tail Light
16	56418090	1	Bracket, Radiator Mount TSB 732
17	56419636	1	Hose, Radiator
18	56418115	1	Tube Weldment TSB 732
19	56418171	1	Shroud Weldment TSB 732
20	56418227	2	Hose, Lower Radiator
21	56418466	1	Cooler, Hydraulic Oil TSB 721
22	56418474	1	Radiator TSB 732
23	56418513	1	Exhaust Shroud Weldment
24	56418520	1	Mounting Plate Weldment
25	56418523	1	Bracket, Cooler Mounting
26	56418604	1	Gasket, Strip
27	56418605	2	Gasket, Bulb
28	56418606	1	Gasket, Bulb
29	56418609	1	Gasket, Bulb
30	56419117	2	Clamp, Hose Band
31	56416632	1	Gasket
32	56418937	2	Gasket, Strip
33	56418777	1	Barb, Connector
34	56418309	1	Bracket, Overflow Tank
35	56418114	1	Reservoir, Overflow

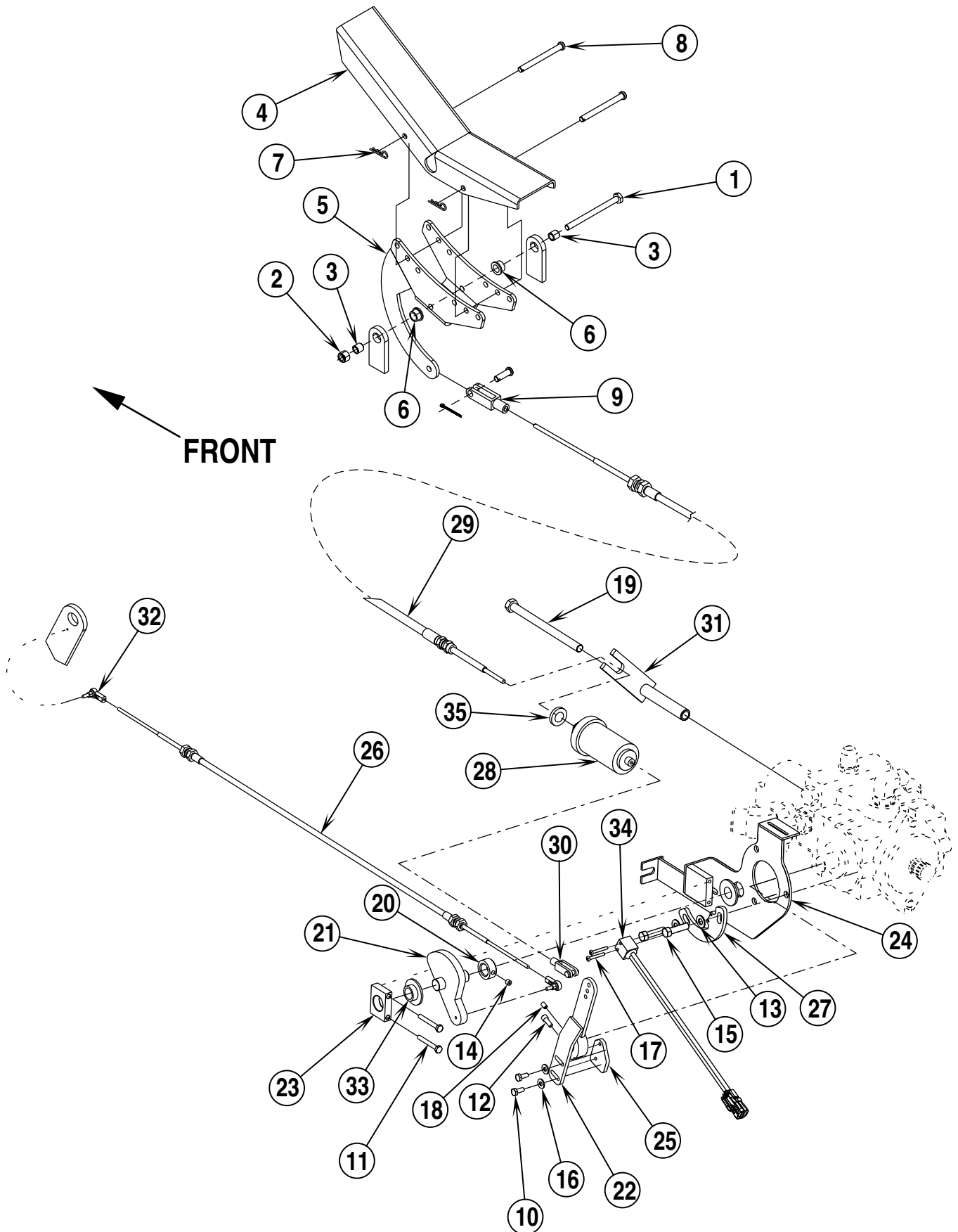
PEDAL DRIVE LINKAGE

99-4

44

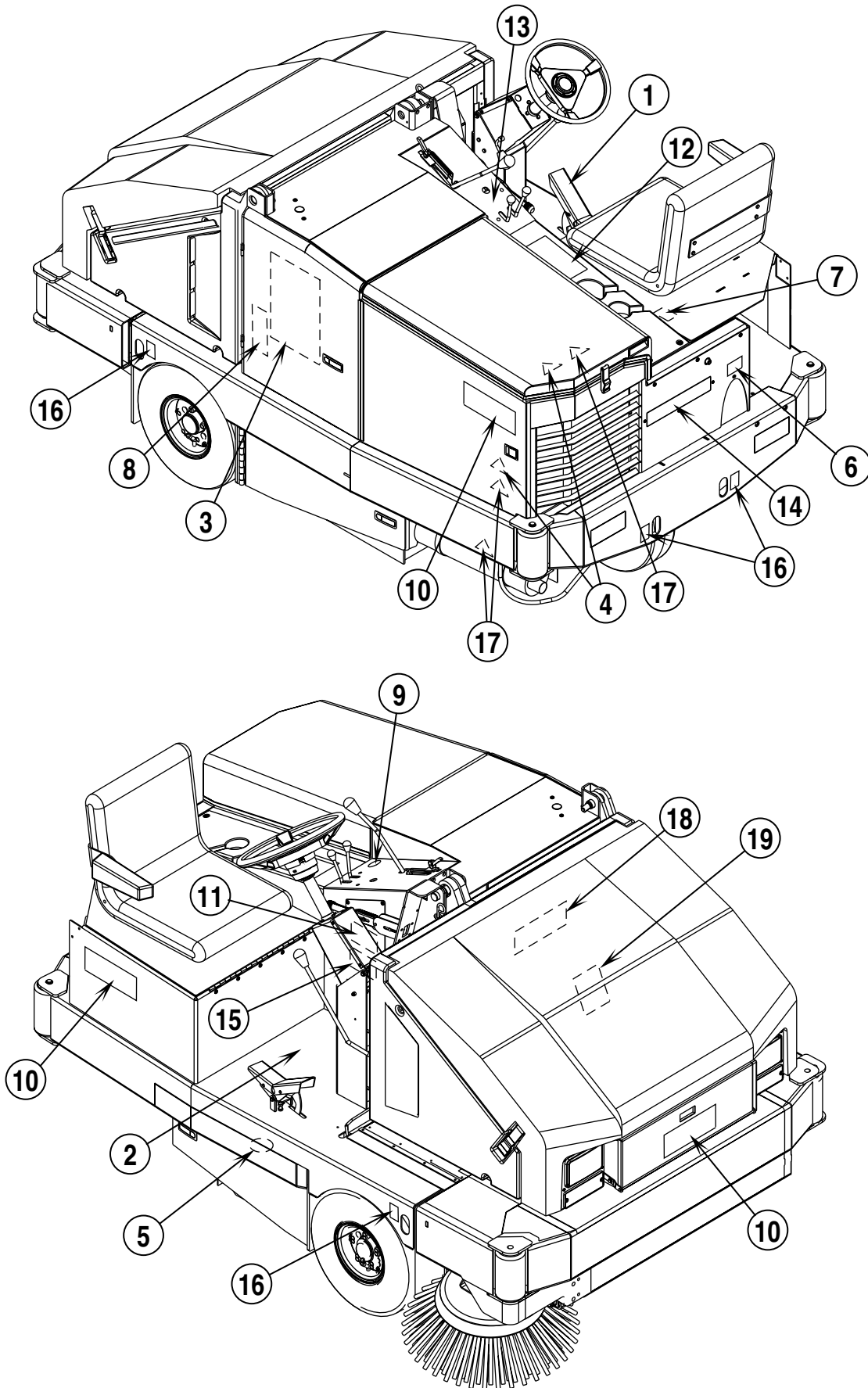
Retriever™ 2060

99-9



99-4	PEDAL DRIVE LINKAGE			
01-9	Retriever™ 2060			45

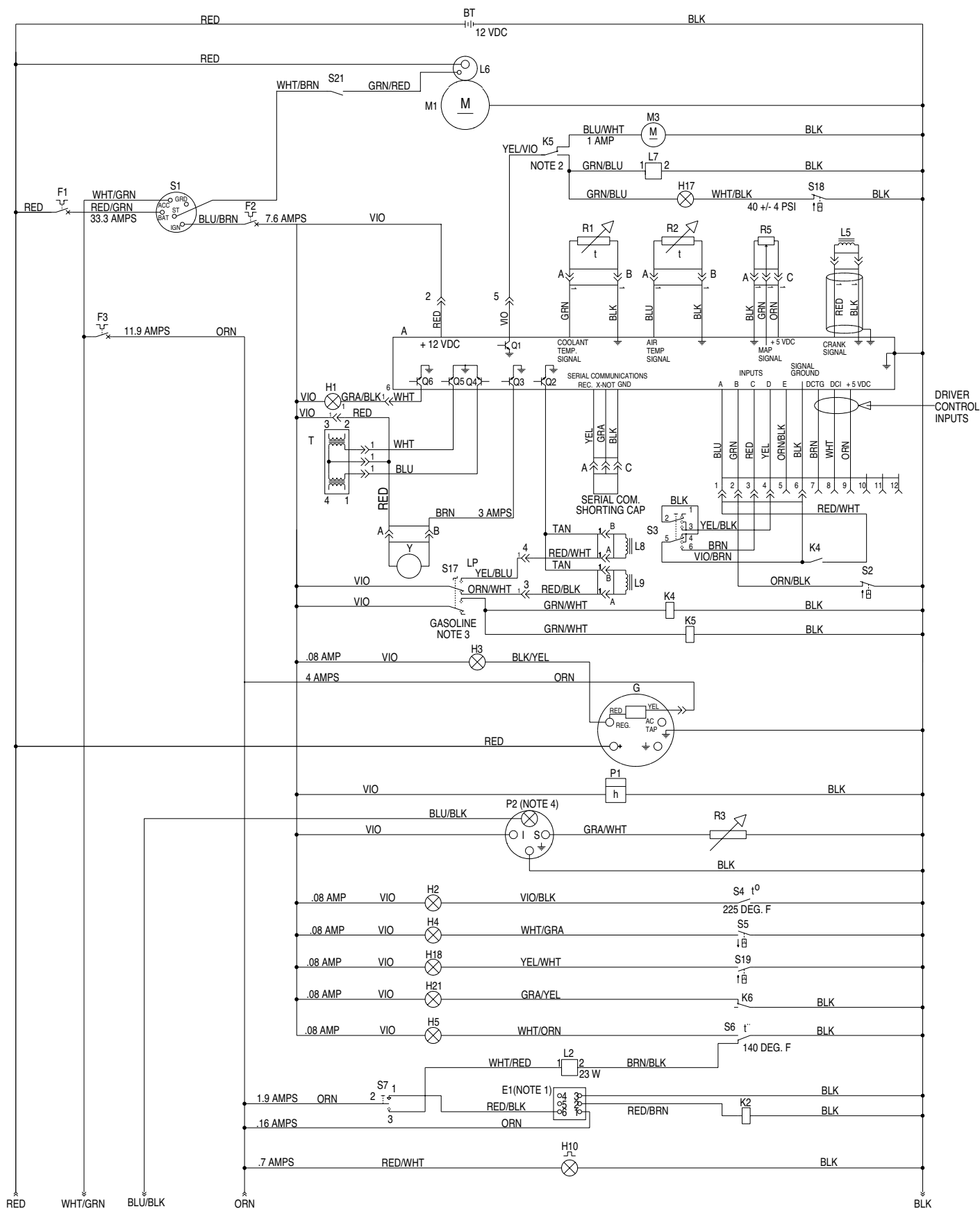
Item	Ref. No.	Qty	Description
	56418113	1	Throttle Pedal Assembly (#1-9)
	56418783	1	Linkage Assembly (#9, 10-27)
1	56001817	1	Scr, Hex Hd 1/4-20 x 3.25
2	56002708	1	Nut, Hex Nyl Loc 1/4-20
3	56151106	2	Bushing
4	56418112	1	Pedal Weldment
5	56418118	1	Pedal Weldment
6	56418162	2	Bearing, Flange
7	56418163	2	Cotter, Hair Pin
8	56003531	2	Clevis Pin .25 x 2.75
9	56482542	2	Clevis Assembly
10	56001836	2	Scr, Hex Hd 1/4-20 x .62
11	56001874	2	Scr, Hex Hd 1/4-20 x 2.00
12	56002032	1	Scr, Soc Hd 1/4-20 x .62
13	56002063	2	Wsh, Flt SAE 3/8 (after Oct. 1999)
14	56002086	1	Scr, Soc Set Loc 5/16-18 x .25
15	56002095	2	Scr, Hex Hd 3/8-16 x 1.50 (after Oct. 1999)
16	56002098	2	Wsh, Flt SAE 1/4
17	56002697	2	Scr, Pan Phil 8-32 x 1.25 (after Oct. 1999)
18	56002930	1	Scr, Soc Set Loc 1/4-20 x .38
19	56003044	1	Scr, Hex Hd 3/8-16 x 6.50
20	56367095	1	Collar, Shaft
21	56418178	1	Actuator Weldment
22	56418181	1	Arm Weldment
23	56418184	1	Pivot, Actuator
24	56418612	1	Interlock Bracket Weldment
25	56418613	1	Plate, Cam
26	56418615	1	Cable, Push/Pull
27	56418966	1	Mount, Neutral Safety Switch (after Oct. 1999)
28	56482539	1	Hydroback
29	56482540	1	Cable, Control
30	56482542	1	Clevis Assembly
31	56418892	1	Bracket Weldment
32	56488290	2	Rod End
33	56491648	2	Bearing, Flange
34	56460005	1	Sealed Ball Switch (after Oct. 1999)
35	56002022	1	Wsh, Flt SAE 5/8



99-4	DECAL SYSTEM		
00-3	Retriever™ 2060		47

Item	Ref. No.	Qty	Description
1	56449958	1	Mat, Pedal
2	56418603	1	Mat, Floor
3	56418483	1	Schematic Pack
*	56418372	1	Schematic, Electrical (before Nov. 1999)
*	56418867	1	Schematic, Electrical (after Oct. 1999)
*	56418760	1	Schematic, Hydraulic
4	56016364	2	Decal, Warning Fan
5	56016163	1	Decal, No Step
6	56016226	1	Decal, Unleaded Fuel
7	56016259	1	Decal, Oil Fill
8	56016258	1	Decal, Circuit Breaker
9	56016255	1	Decal, Dual Fuel Knob (dual fuel model only)
10	56016254	3	Decal, 2060
11	56016253	1	Decal, Wear Items 2060
12	56016252	1	Decal, Control Rear
13	56016251	1	Decal, Control Front
14	56016097	1	Decal, Reflective (inside tail light)
15	56015427	1	Decal, Warning Tip Over
16	56015370	4	Decal, Tie Down
17	56016363	3	Decal, Warning Hot
18	56015428	1	Decal, Warning Hopper
19	56015426	1	Decal, Warning Fan

* = Not Shown



99-4	WIRING DIAGRAM		
05-9	Retriever™ 2060		49

Item	Ref. No.	Qty	Description	Item	Ref. No.	Qty	Description
A	56419165	1	Electronic Control Unit, LP (after SN 1359051)	M1	56418719	1	Starter Assembly
	56418804	1	Electronic Control Unit, LP (before SN 1359052)	M3	56418793	1	Fuel Pump (gasoline and dual fuel models)
	56419164	1	Electr. Control Unit, Dual/Fuel (after SN 1135328)				
	56418803	1	Electr. Control Unit, Dual/Fuel (before SN 1135329)				
	56418806	1	Electronic Control Unit Gasoline	P1	56478363	1	Hour Meter
BT	56441511	1	Battery, 12 VDC	P2	56489598	1	Fuel Gauge (gasoline and dual fuel models)
*	56459055	1	Battery Cable (+)				
*	56386973	1	Battery Cable (-)	Q1	N/A	1	Fuel Pump Relay Driver
E1	56491870	1	Timer, Shaker (optional)	Q2	N/A	1	Fuel Injection Driver
F1	56452193	1	Circuit Breaker, 40 Amp (Main)	Q3	N/A	1	Throttle Driver
F2	56454538	1	Circuit Breaker, 15 Amp (Ignition Circuit)	Q4	N/A	1	Ignition Driver
F3	56454538	1	Circuit Breaker, 15 Amp (Accessory Circuit 1)	Q5	N/A	1	Ignition Driver
G	56463608	1	Alternator	Q6	N/A	1	Aux. Output
H1	56418672	1	Lamp, Low Oil Pressure	R1	56419388	1	Sensor, Coolant Temp.
H2	56418672	1	Lamp, Coolant Temperature	R2	56418805	1	Sensor, Air Temp
H3	56418672	1	Lamp, Charging	R3	56478358	1	Sender, Fuel (gasoline and dual fuel models)
H4	56418672	1	Lamp, Dust Control Filter Plugged	R5	56418807	1	Sensor, MAP
H5	56418672	1	Lamp, Hopper Heat Indicator	S1	56418685	1	Switch, Ignition
H10	56416433	1	Light, Beacon (optional)		56419123	1	Replacement Ignition Key (for 56418685)
*	56416435	1	Lens, Amber (for 56416433)	S2	56418729	1	Switch, Engine Oil Pressure
*	56416436	1	Flash Tube (for 56416433)	S3	56455820	1	Switch, Throttle
H17	56418672	1	Lamp, Low LP	S4	56497849	1	Switch, Coolant Temp.
H18	56418672	1	Lamp, Hydraulic Filter	S5	56418404	1	Switch, Vacuum (optional)
H21	56418672	1	Lamp, Hopper Door	S6	56418405	1	Switch, Hopper Temp. (optional)
K2	56491862	1	Relay, Shaker Motor	S7	56324272	1	Switch, Dust Control/Shaker
K4	56491862	1	Relay, Dual Fuel Select (dual fuel model only)	S17	56418408	1	Switch, Fuel Select (dual fuel model)
K5	56418387	1	Relay, Fuel Supply Select (dual fuel model only)	S18	56418381	1	Switch, LP Pressure
L2	56418104	1	Solenoid, Dust Control	S19	N/A	1	Switch, Hydraulic Filter
L5	56418808	1	Sensor, Crank Position	S21	56460005	1	Switch, Neutral Safety (after SN 1324590)
L6	N/A	1	Starter Solenoid	T	56462887	1	Ignition Coil TSB 782
L7	56418305	1	Solenoid, LP	T	56463859	1	Ignition Coil TSB 782
L8	56418812	1	Propane Fuel Injector	*	56463575	1	Spark Plug Wire Set TSB 782
L9	56418813	1	Gasoline Fuel Injector	*	56463854	1	Spark Plug Wire Set TSB 782
				Y	N/A	1	Throttle Actuator

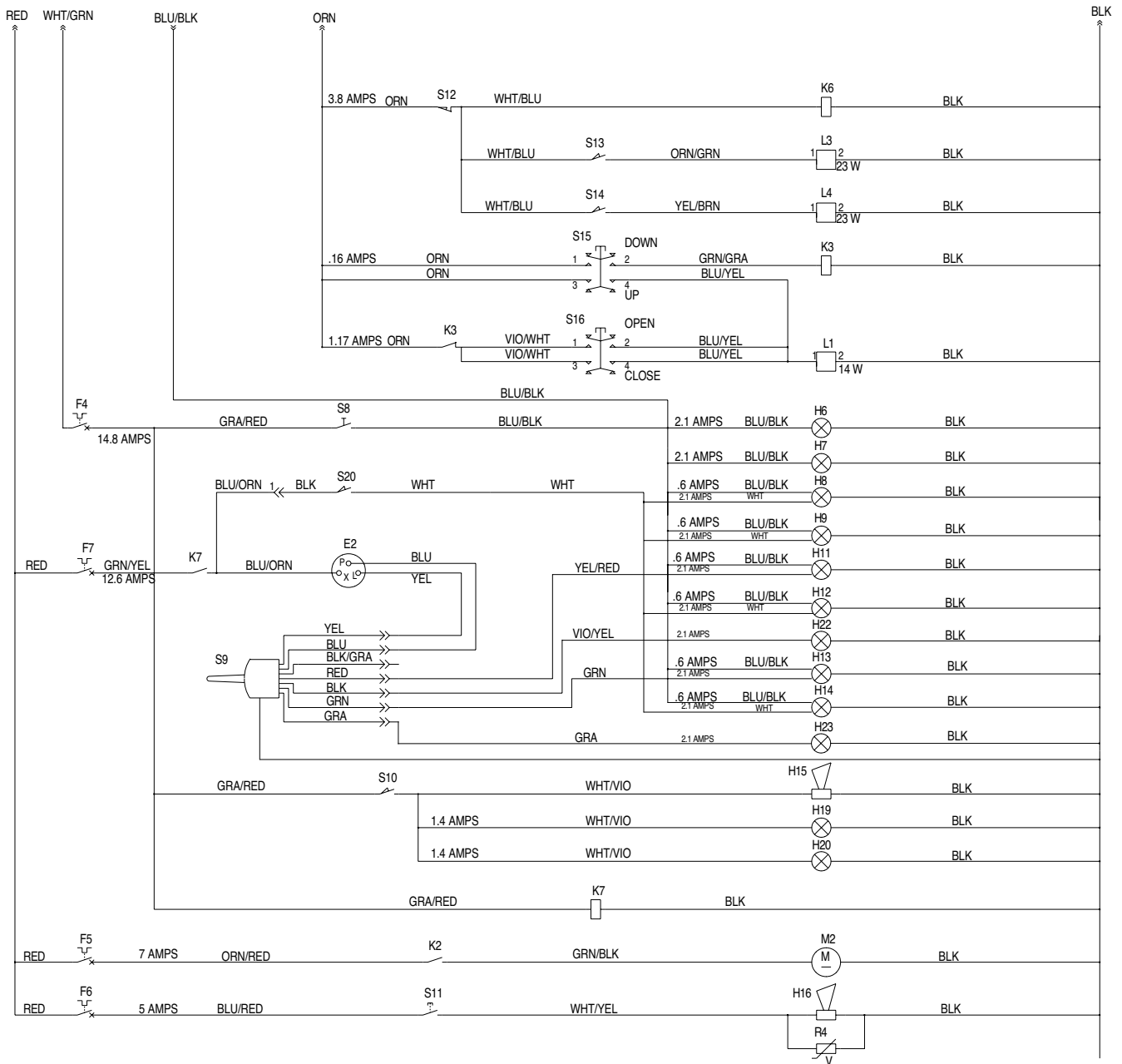
* = Not Shown

NOTE 1: When the Shaker Timer is not used, there is a jumper wire connected between the RED/BLK and RED/BRN wires.

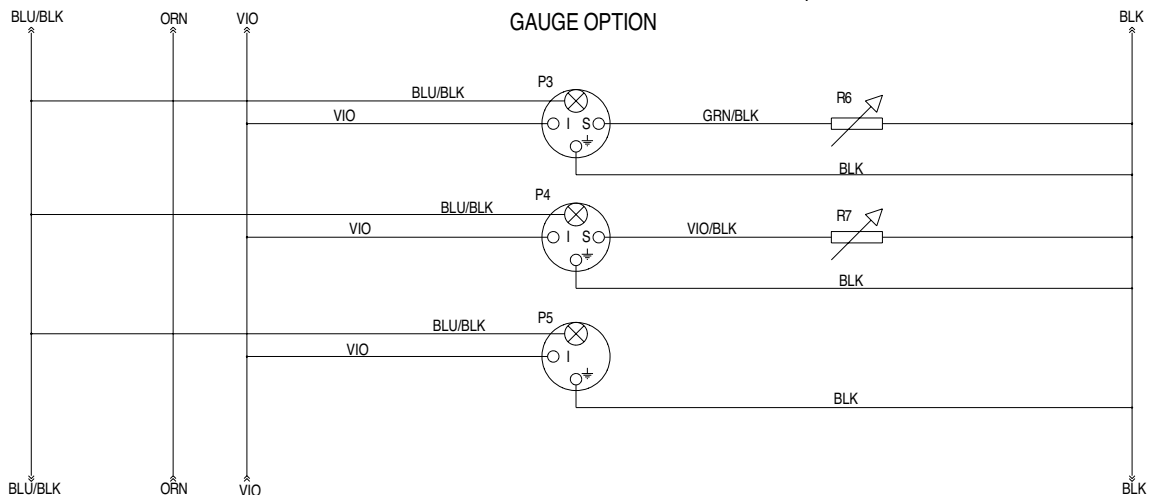
NOTE 2: When the Dual Fuel option is not used, there is a jumper connected between the YEL/VIO and GRN/BLU wires for LP, or between the YEL/VIO and BLU/WHT wires for Gasoline.

NOTE 3: When the Dual Fuel option is not used, there are jumpers connected between the VIO, YEL/BLU and ORN/WHT wires.

NOTE 4: Fuel Gauge is not used with LP only machine.



GAUGE OPTION



Item	Ref. No.	Qty	Description
E2	56489654	1	Flasher (optional)
F4	56395454	1	Circuit Breaker, 20 Amp (Head Lights / Tail Lights)
F5	56168444	1	Circuit Breaker, 8 Amp (Shaker Motor)
F6	56387316	1	Circuit Breaker, 10 Amp (Horn)
F7	56395454	1	Circuit Breaker, 20 Amp (Signal Lights / optional)
H6	56481543	1	Head Light, Right
H7	56481543	1	Head Light, Left
H8	56454519	1	Tail Light
H9	56454519	1	Tail Light
*	56418682	1	Light Socket Assembly (includes H8 & H9)
H11	56418392	1	Signal Light, Right Front (optional)
H12	56418836	1	Tail/Brake Light, Right Rear (optional)
H13	56418392	1	Signal Light, Left Front (optional)
H14	56418836	1	Tail/Brake Light, Left Rear (optional)
H15	56462366	1	Back-Up Alarm (optional)
H16	56442054	1	Horn
H19	56418836	1	Lamp, Back-Up (optional)
H20	56418836	1	Lamp, Back-Up (optional)
H22	56418836	1	Signal Light, Right Rear (optional)
H23	56418836	1	Signal Light, Left Rear (optional)
K2	56491862	1	Relay, Shaker Motor
K3	56418387	1	Relay, Interlock
K6	56418387	1	Relay, Hopper Door
K7	56491862	1	Relay, Signal Lights (optional)
L1	56418102	1	Solenoid, Directional Control Valve Bypass
L3	56418105	1	Solenoid, Main Broom
L4	56418104	1	Solenoid, Side Broom
M2	56418389	1	Shaker Motor
P3	56489592	1	Gauge, Oil Pressure (optional)
P4	56489600	1	Gauge, Coolant Temperature (optional)
P5	56482044	1	Voltmeter (optional)
R4	56418416	1	Varistor
R6	56478698	1	Sender, Oil Pressure (optional)
R7	56481888	1	Sender, Coolant Temperature (optional)
S8	56393312	1	Switch, Head Lights
S9	56418411	1	Switch, Turn Signal (optional)
S10	56455403	1	Switch, Back-Up Alarm (optional)
S11	56441555	1	Switch, Horn
S12	56418165	1	Switch, Hopper/Dump Door Interlock
S13	56372088	1	Switch, Main Broom
S14	56372088	1	Switch, Side Broom
S15	56416657	1	Switch, Hopper Valve
S16	56416657	1	Switch, Dump Valve
S20	56418411	1	Switch, Brake Light
*	56418202	1	Harness, Main Wiring (before SN 1324591)
*	56418688	1	Harness, Main Wiring (after SN 1324590)
*	56418628	1	Harness, Control Panel Wiring
*	56418203	1	Harness, Hopper Wiring

* = Not Shown

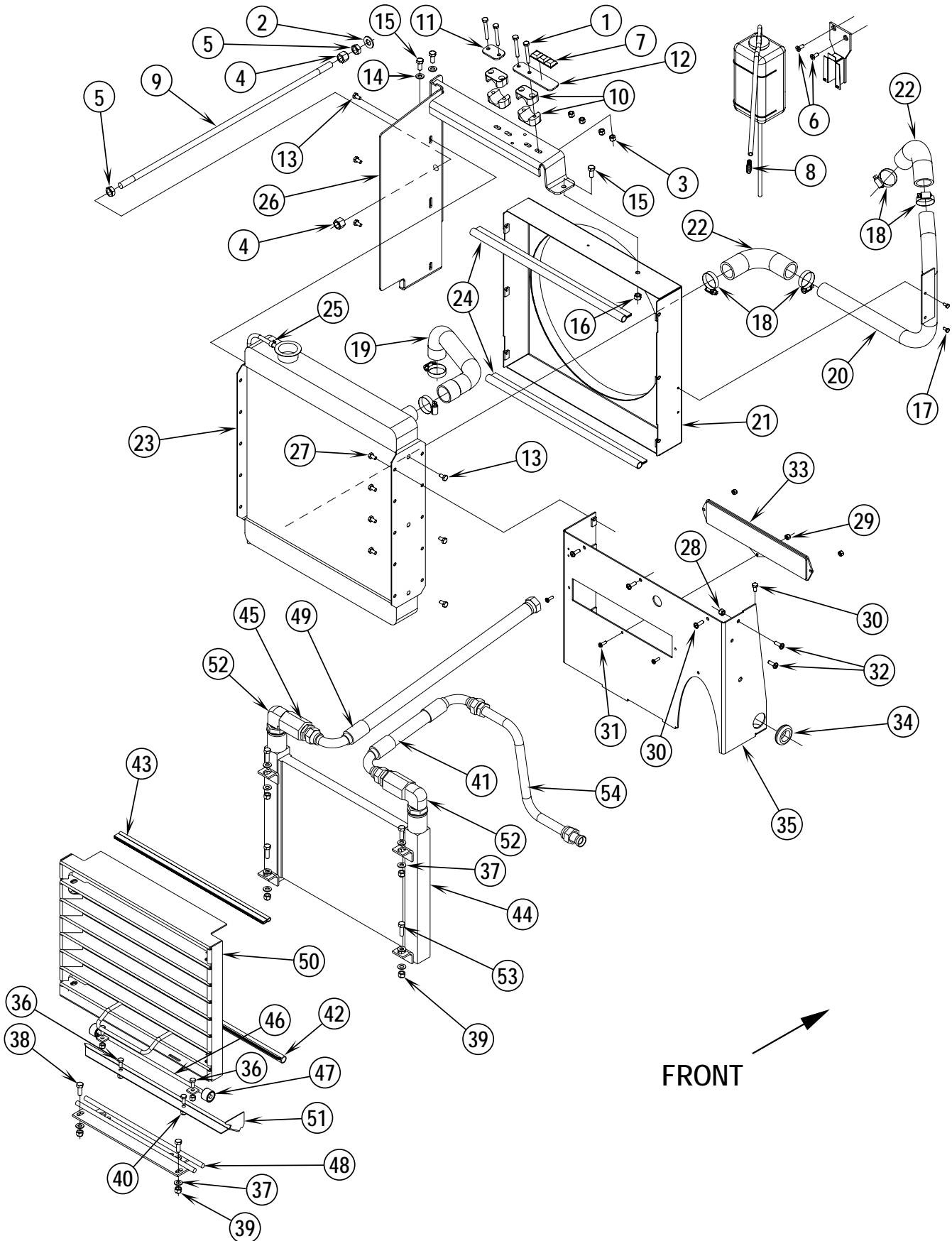
RADIATOR ASSEMBLY (after June 2000)

99-4

52

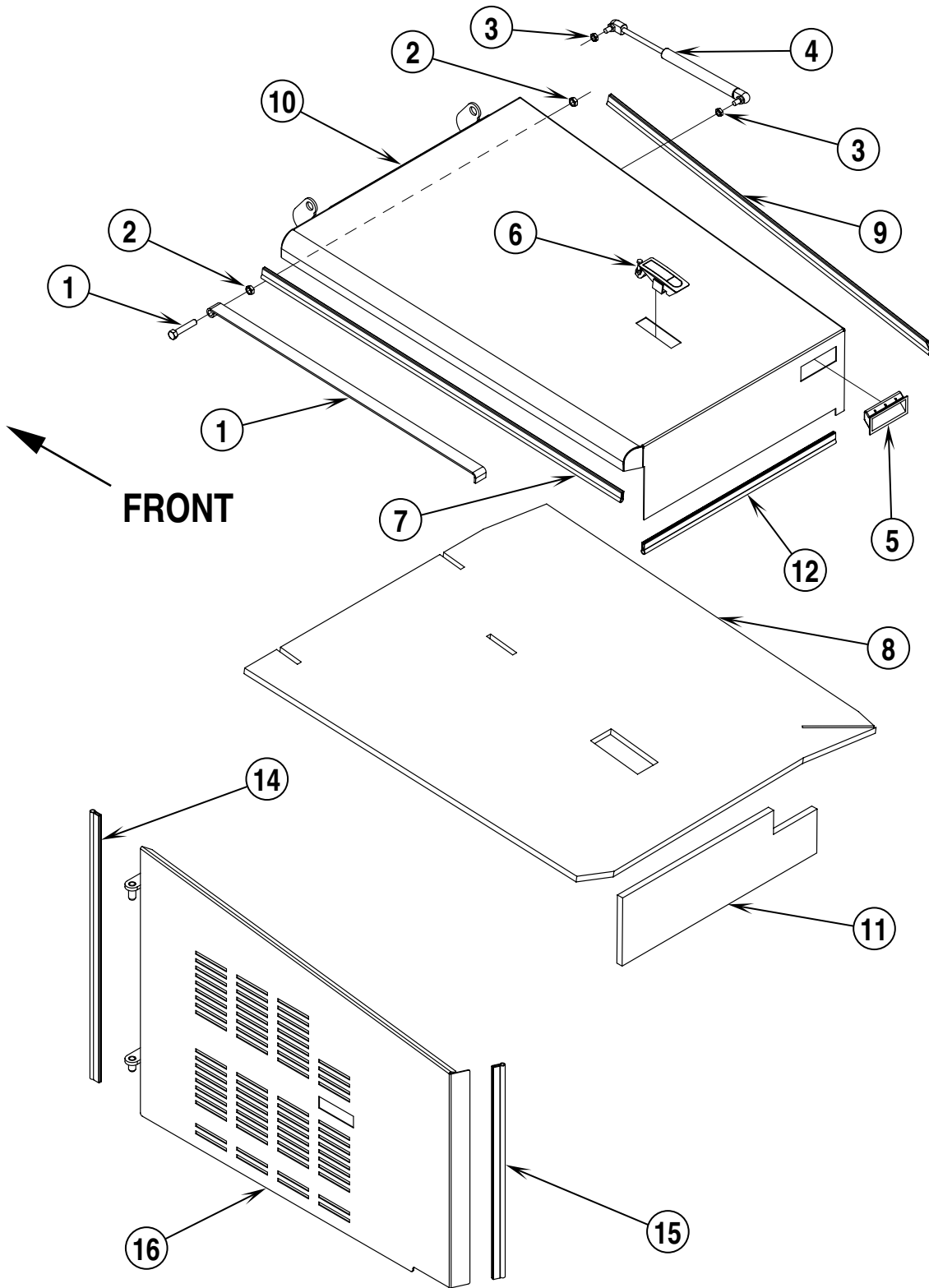
Retriever™ 2060

04-6



99-4	RADIATOR ASSEMBLY (after June 2000)		
04-6	Retriever™ 2060		53

Item	Ref. No.	Qty	Description
	56419130	1	Radiator Assembly (items 1-54)
1	56001874	4	Scr, Hex Hd 1/4-20 x 2.00
2	56001879	1	Wsh, Flt SAE 1/2
3	56002708	4	Nut, Hex Nyl Loc 1/4-20
4	56002770	2	Nut, Hex Nyl Loc 1/2-13
5	56009016	2	Nut, Hex Jam 1/2-13
6	56009137	2	Scr, Flt Phil Thd Form 1/4-20 x .62
7	56402940	3	Bumper
8	56418777	1	Barb, Connector 5/16 x 5/16
9	56419007	1	Stiffener
10	56419041	4	Clamp
11	56419042	1	Plate, Clamp
12	56419180	1	Prop Rest
	56419145	1	Radiator Shroud Assembly (items 13-26)
13	56001854	6	Scr, Hex Hd 1/4-20 x .50
14	56001939	2	Wsh, Flt SAE 5/16
15	56002667	3	Scr, Hex Hd 5/16-18 x .75
16	56002701	1	Nut, Hex Nyl Loc 5/16-18
17	56009012	2	Scr, Hex Thd Form 10-24 x .38
18	56131601	6	Clamp, Hose SAE #16
19	56419636	1	Hose, Radiator
20	56418115	1	Tube Weldment TSB 732
21	56418171	1	Shroud Weldment TSB 732
22	56418227	2	Hose, Lower Radiator
23	56418474	1	Radiator TSB 732
24	56418605	2	Gasket, Bulb
25	56419117	1	Clamp, Hose Band
26	56419148	1	Radiator Mount Weldment TSB 732
	56419147	1	Back Panel Assembly (items 27-35)
27	56001854	4	Scr, Hex Hd 1/4-20 x .50
28	56002708	2	Nut, Hex Nyl Loc 1/4-20
29	56002768	3	Nut, Hex Nyl Loc 10-24
30	56009033	1	Scr, Hex Thd Form 1/4-20 x .50
31	56009100	3	Scr, Pan Phil Thd Form-BLK 10-24 x .62
32	56009248	5	Scr, Pan Phil Thd Form-BLK 1/4-20 x .75
33	56416418	1	Lens, Tail Light
34	56486116	1	Grommet
35	56419158	1	Back Panel Weldment
	56419146	1	Oil Cooler Assembly (items 36-54)
36	56001836	4	Scr, Hex Hd 1/4-20 x .62
37	56001939	10	Wsh, Flt SAE 5/16
38	56002037	2	Scr, Hex Hd 5/16-18 x .88
39	56002701	6	Nut, Hex Nyl Loc 5/16-18
40	56002708	4	Nut, Hex Nyl Loc 1/4-20
41	56419298	1	Hose Assembly (Connects to hydraulic manifold assembly)
42	56418605	1	Gasket, Bulb
43	56418609	1	Trim Seal
44	56418953	1	Cooler, Oil
45	56418954	2	Swivel
46	56419016	1	Axle Weldment
47	56419036	2	Roller
48	56419037	1	Roller Stop Weldment
49	56419299	1	Hose Assembly (Connects to oil filter.)
50	56419151	1	Grill Weldment
51	56419155	1	Deflector Plate
52	56900117	2	Elbow, 90 O-Ring
53	56002221	4	Scr, Hex Hd 5/16-18 x 1.00
54	56419291	1	Tube Weld't.



99-4	DOOR/HOOD ASSEMBLY (after June 2000)		
00-11	Retriever™ 2060		55

Item	Ref. No.	Qty	Description
	56419139	1	Hood Assembly (items 1-13 except 6)
1	56002091	1	Scr, Hex Hd 3/8-16 x 2.00
2	56009085	2	Nut, Hex Jam 3/8-16
3	56009086	2	Nut, Hex Jam 5/16-18
4	56385238	1	Gas Cylinder
5	56416455	1	Pull, Pocket
6	56418471	1	Door Latch
7	56419097	1	Trim Seal
8	56419099	1	Insulation, Hood
9	56419122	1	Trim Seal
10	56419137	1	Hood Weldment
11	56419142	1	Insulation, Hood
12	56419143	1	Trim Seal
13	56419179	1	Prop, Oil Cooler
	56419132	1	Side Door Assembly (items 14-16)
14	56418699	1	Trim Seal
15	56419098	1	Trim Seal
16	56419133	1	Side Door Weldment



**Nilfisk
Advance**

setting standards

Nilfisk-Advance, Inc.
14600 21st Avenue North
Plymouth, MN 55447-3408
www.nilfisk-advance.com
Phone: 800-989-2235
Fax: 800-989-6566
©2005 Printed in the U.S.A.