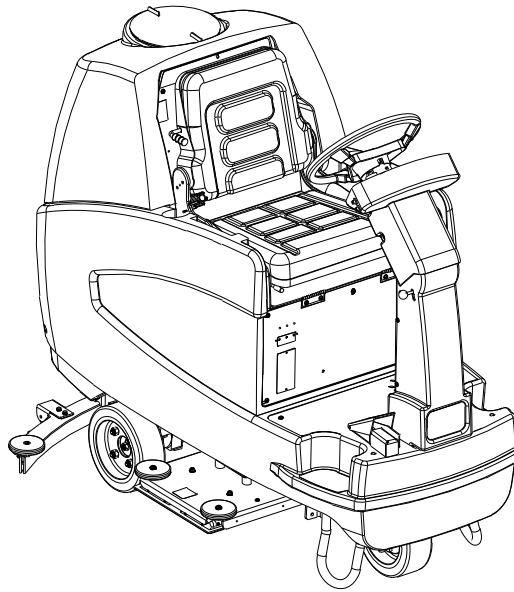


# Clarke®

## FOCUS

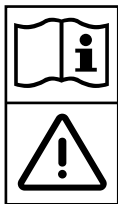
### Rider Scrubber

Rotary, Cylindrical and *BOOST*<sup>®</sup>  
(Manual Steering)



**Operator's Manual / Manuel d'utilisation / Libro de Instrucciones**  
**Models: 00310S, 00310C, 00311S, 00311C, 00312S, 00312C,**  
**00317S, 00317C**

U.S. Patent No. 6,105,192; No. RE39,581; No. 6,557,207; No. 7,185,397 and Patents Pending  
Canada Patent No. 2,353,279 (Deluxe Machines)



**READ THIS BOOK**

**LEA ESTE MANUAL**

**LISEZ CE MANUEL**

**EN**

**English (2 - 28)**

**ES**

**Español (30 - 56)**

**FR**

**Français (58 - 84)**

This book has important information for the use and safe operation of this machine. Failure to read this book prior to operating or attempting any service or maintenance procedure to your Clarke machine could result in injury to you or to other personnel; damage to the machine or to other property could occur as well. You must have training in the operation of this machine before using it. If your operator(s) cannot read this manual, have it explained fully before attempting to operate this machine.

All directions given in this book are as seen from the operator's position at the rear of the machine.

**Table of Contents**


Operator Safety Instructions ..... 3  
 Introduction & Machine Specifications ..... 5  
 Symbols Used on Focus ..... 6  
 Display Screens for Focus ..... 7  
 Machine Control Panel ..... 8  
 Machine Controls and Features ..... 9  
 How to Prepare the Machine for Operation ..... 10  
     How to Handle the Packed Machine ..... 10  
     How to Unpack the Machine ..... 10  
     How to Install the Batteries ..... 10  
     Battery Maintenance ..... 11  
     How to Charge the Batteries ..... 12  
     Recharging the Batteries ..... 12  
     Level Indicators for the Charge on the Batteries ..... 13  
     How to Install the Squeegee ..... 13  
     How to Adjust the Squeegee ..... 13  
     How to Change or Rotate Brushes on Cylindrical Brush Head ..... 14  
     How to Install and Remove the Brush or Pad on the Boost Head ..... 15  
 How to Operate the Machine ..... 16  
     How to Return One Touch to Factory Default Settings ..... 16  
     How to Move Machine ..... 16  
     Seat Adjustment ..... 16  
     How to Read the Battery Meter ..... 17  
     How to Change Display Screens on the LCD Module ..... 17  
     How to Read the Solution Empty Indicator ..... 17  
     How to Read the Recovery Full Indicator ..... 17  
     How to Operate the Squeegee and the Vacuum Motor ..... 18  
     How to Operate the Solution Flow ..... 18  
     How to Operate Brush Pressure ..... 18  
     How to Operate the Forward / Reverse Switch ..... 18  
     How to Fill the Solution Tank ..... 19  
     Operating the Machine ..... 19  
     Do These Procedures When You Begin Your Work Period ..... 20  
     How to Clean a Floor ..... 21  
     How to Clean a Very Dirty Floor ..... 22  
     Do These Procedures When You End Your Work Period ..... 22  
 Maintenance ..... 24  
     Maintenance to Be Done Every Week ..... 24  
     Battery Inspection and Cleaning ..... 24  
     Cleaning the Recovery Tank and Filter ..... 24  
     Cleaning the Solution Tank and Filter ..... 25  
     Manually Draining the Solution Tank ..... 25  
     Vac Assisted Solution Tank Draining ..... 25  
     Squeegee Maintenance ..... 25  
     Front Squeegee Blade Replacement ..... 25  
     Rear Squeegee Blade Replacement ..... 26  
     Squeegee Maintenance ..... 26  
     Cleaning the Vac Hose ..... 26  
 How to Correct Problems in the Machine ..... 27  
 Common Error Codes ..... 28


**SECTION II Parts and Service Manual**


Final Assembly Drawing ..... 86	Steering Column Assembly Drawing ..... 104
Parts List ..... 87	Parts List ..... 105
Main Frame Assembly Drawing (Rotary) ..... 88	28" Rotary Brush Head Assembly Drawing and Parts List .. 106
Parts List ..... 89	34" Rotary Brush Head Assembly Drawing and Parts List .. 107
Main Frame Assembly Drawing (Cylindrical) ..... 90	28" Cylindrical Head Assembly Drawing ..... 108
Parts List ..... 91	Parts List ..... 109
Main Frame Assembly Drawing (BOOST) ..... 92	32" Boost Head Assembly Drawing ..... 110
Parts List ..... 93	Parts List ..... 111
Optional Side Squeegee Lift (28 & 34 Rotary Models) ..... 94	32" Squeegee Assembly Drawing ..... 112
Parts List ..... 95	Parts List ..... 113
Front Wheel Assembly Drawing and Parts List ..... 96	39" Squeegee Assembly Drawing ..... 114
Squeegee Lift Assembly Drawing and Parts List ..... 97	Parts List ..... 115
Recovery Tank Assembly Drawing ..... 98	41" Squeegee Assembly Drawing ..... 116
Parts List ..... 99	Parts List ..... 117
Solution Tank Assembly Drawing (View 1) ..... 100	Front Squeegee Assembly Drawing and Parts List ..... 118
Parts List (View 1) ..... 101	Front Squeegee Arm Assembly Drawing and Parts List ..... 119
Solution Tank Assembly Drawing (View 2) ..... 102	Electrical Panel Assembly Drawing and Parts List ..... 120
Parts List (View 2) ..... 103	Electrical Connection Diagram ..... 122
	Electrical Schematic ..... 126
	Accessories and Options ..... 128


## OPERATOR SAFETY INSTRUCTIONS


 **DANGER:** Failure to read and observe all **DANGER** statements could result in severe bodily injury or death. Read and observe all **DANGER** statements found in your Owner's Manual and on your machine.


 **WARNING:** Failure to read and observe all **WARNING** statements could result in injury to you or to other personnel; property damage could occur as well. Read and observe all **WARNING** statements found in your Owner's Manual and on your machine.


 **CAUTION:** Failure to read and observe all **CAUTION** statements could result in damage to the machine or to other property. Read and observe all **CAUTION**


 **DANGER:** Failure to read the Operator's Manual prior to operating or attempting any service or maintenance procedure to your Clarke machine could result in injury to you or to other personnel; damage to the machine or to other property could occur as well. You must have training in the operation of this machine before using it. If your operator(s) cannot read English, have this manual explained fully before attempting to operate this machine.


 **DANGER:** Operating a machine that is not completely or fully assembled could result in injury or property damage. Do not operate this machine unless it is completely assembled. Inspect the machine carefully before operation. Operate only when lids, doors and access panels are securely closed.


 **DANGER:** Machines can cause an explosion when operated near flammable materials and vapors. Do not use this machine with or near fuels, grain dust, solvents, thinners, or other flammable materials. This machine is not suitable for picking up hazardous dust or flammable materials. Use only commercially available floor cleaning waxes intended for machine operation. **DO NOT** put gasoline, combustible or flammable materials in the solution or recovery tank.


 **DANGER:** Lead acid batteries generate gases which can cause an explosion. Keep sparks and flames away from batteries. Do not smoke around the machine. Charge the batteries only in an area with good ventilation.


 **DANGER:** Working with batteries can be dangerous! Always wear eye protection and protective clothing when working near batteries. Remove all jewelry. Do not put tools or other metal objects across the battery terminals, or the tops of the batteries.


 **DANGER:** Using the charger with a damaged power cord could result in an electrocution. Do not use the charger if the power cord is damaged.










 **WARNING:** Do not turn the machine on a ramp. Do not use on surfaces having a gradient exceeding that marked on the appliance.

 **WARNING:** Machines can topple over and cause injury or damage if guided over the edges of stairs or loading docks. Stop and leave this machine only on a level surface. When you stop the machine, put all switches into their "OFF" position. Turn the key switch "OFF" and remove the key.

 **WARNING:** Skidding may occur when traveling at high speeds and attempting sharp turns, especially on wet surfaces.

 **WARNING:** Do not move machine with forklift. Damage could occur to machine.

 **WARNING:** Maintenance and repairs performed by unauthorized personnel could result in damage or injury. Maintenance and repairs must be performed by authorized Clarke personnel only.

-  **WARNING:** Any alterations or modifications of this machine could result in damage to the machine or injury to the operator or other bystanders. Alterations or modifications not authorized by the manufacturer voids any and all warranties and liabilities.
-  **WARNING:** Electrical components of this machine can “short-out” if exposed to water or moisture. Keep the electrical components of the machine dry. Wipe the machine down after each use. This appliance is for dry use only and is not to be used or stored outdoors in wet conditions. For storage, keep the machine in a building.
-  **WARNING:** Operating a machine without observing all labels and instructional information could result in injury or damage. Read all machine labels before attempting to operate. Make sure all of the labels and instructional information are attached or fastened to the machine. Do not cover them for any reason. If labels or decals are missing or become damaged, get replacement labels and decals from your Clarke distributor immediately.
-  **WARNING:** Wet floor surfaces can be slippery. Water solutions or cleaning materials used with this type of machine can leave wet areas on the floor surface. These areas can cause a dangerous condition for the operator or other persons. Always put “Caution” signs around/near the area you are cleaning.
-  **WARNING:** Improper discharge of waste water may damage the environment and be illegal. The United States Environmental Protection Agency has established certain regulations regarding discharge of waste water. City, state and national regulations regarding this discharge may also be in effect in your area. Understand and follow the regulations in your area. Be aware of the environment hazards of chemicals that you dispose.
-  **WARNING:** Only use the brushes provided with the appliance or those specified in the Operator’s Manual. The use of other brushes may impair safety.
-  **CAUTION:** Use of this machine to move other objects or to climb on could result in injury or damage. Do not use this machine as a step or furniture.
-  **CAUTION:** Your machine warranty will be voided if anything other than genuine Clarke parts are used on your machine. Always use Clarke parts for replacement.
-  **CAUTION:** This machine contains lead acid batteries. The batteries must be disposed of in an environmentally acceptable manner.

**WARNING: GENERAL SAFETY RULES**


The rules below have to be followed carefully in order to avoid injury to the operator and damage to the machine:

- During the operation of this machine, pay attention to other people around you, especially children.
- Use care when reversing machine in confined areas.
- Do not mix different kinds of detergents. Avoid harmful odors.
- Do not place any liquid containers on to the machine.
- The recommended operating temperature should be between 32° F and 104° F.
- The humidity for operating this machine should be between 30 and 95%.
- Do not use acid solutions that could damage the machine.
- In order to prevent floor damage, do not leave brushes running when machine is standing still.
- In case of fire, use a powder extinguisher. Do not use water.
- Do not strike shelving or scaffoldings, where there is danger of falling objects.
- Adapt the utilization speed to the adhesion conditions.
- Do not exceed the declared hill climbing capacity, otherwise the machine could become unstable.
- For any maintenance operation take off the power supply from the machine.
- Do not disassemble any parts which require the use of a tool to be removed.
- Do not wash the machine with direct water jets or with high water pressure nor with corrosive material.
- After every 200 working hours have machine checked by an authorized service person.

**Introduction****Introduction & Machine Specifications**

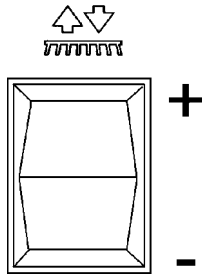
This is a floor cleaning machine which, using the mechanic or abrasive action of brushes or pads and the chemical action of a water-detergent solution, is able to clean any type of floor. During its forward movement, it picks up the removed dirt and the detergent solution which has not been absorbed by the floor.

Model	28" Disc	34" Disc	28" Cylindrical	32" Boost® Orbital
Part Number	00310S, 00310C	00311S, 00311C	00312S, 00312C	00317S, 00317C
Cleaning Swath	28" (71.1 cm)	34" (86.4 cm)	28" (71.1 cm)	32" (81.3 cm)
Power Supply	36 volt system using (6) 6 volt 250, 330, or 370 AH deep cycle batteries			
Battery Charger	On-Board fully automatic smart charger, 115V 60 Hz or 230V 50 Hz			
Brush Motors	(1) 2 hp (1.5 kW) driving two right angle gearboxes	(1) 2.5 hp (1.9 kW) driving two right angle gearboxes	(2) .75 hp (.56 kW)	(1) .75 hp (.56 kW)
Brush Size / Speed	(2) 14" (36 cm) 300 RPM	(2) 17" (43 cm) 300 RPM	(2) 6 x 28" (15.2 x 71.1 cm) 750 RPM	(1) 14 x 32" (35.6 x 81.3 cm) 2250 RPM
Brush Pressure	12 -225 lbs. (57-102 kg)		90-130 lbs. (41-59 kg)	115-155 lbs. (52-70 kg)
Traverse Speed (max)	4.1 mph (6.6 kph)			
Traverse	1.5 hp (1.1 kW) transaxle powering of two 10" (25.4 cm) diameter rear wheels			
Max. Cleaning Grade	6 degree			
Vacuum Motor	1 hp (.75 kW) 3 stage tangential discharge			
Noise Level	70 dBA			
Solution Tank	30 gallon (113 liter)			
Recovery Tank	30 gallon (113 liter)			
Length	65" (165 cm)			
Width	33" (84 cm)	35.5" (90 cm)	30" (130 cm)	33" (84 cm)
Height	56" (142 cm)			
Machine Weight w/330 AH batteries & full of solution	1478 lbs. (670 kg)	1498 lbs. (679 kg)	1498 lbs. (679 kg)	1488 lbs. (675 kg)
Warranty	8 years Polydur™ tanks, 3 years parts, 1 year labor, 18 months pro-rated batteries			

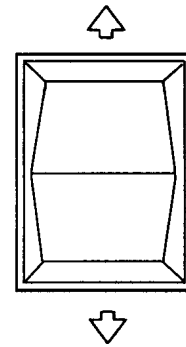
 **WARNING:** The Products sold with this Manual contain or may contain chemicals that are known to certain governments (such as the State of California, as identified in its Proposition 65 Regulatory Warning Law) to cause cancer, birth defects or other reproductive harm. In certain locations (including the State of California) purchasers of these Products that place them in service at an employment job site or a publicly accessible space are required by regulation to make certain notices, warnings or disclosures regarding the chemicals that are or may be contained in the Products at or about such work sites. It is the purchaser's responsibility to know the content of, and to comply with, any laws and regulations relating to the use of these Products in such environments. The Manufacturer disclaims any responsibility to advise purchasers of any specific requirements that may be applicable to the use of the Products in such environments.

Symbols Used On FOCUS Rider

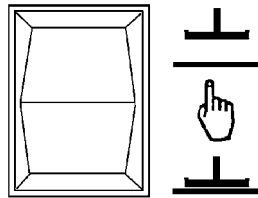
Brush Up/Down



Forward / Reverse



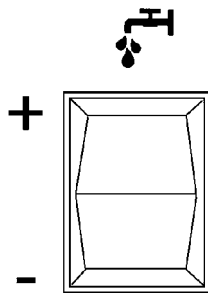
Squeegee Up/Down



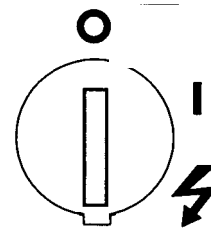
Horn



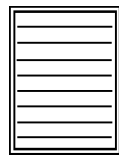
Solution Flow Switch



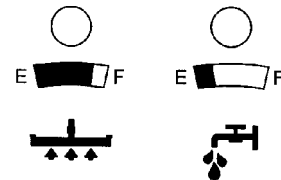
On/Off Switch



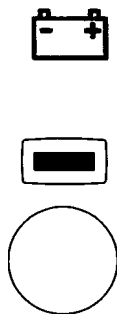
Battery Meter



Recovery / Solution LED



LCD Display Button

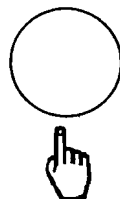


**READ OPERATOR'S MANUAL BEFORE OPERATING THIS MACHINE**

**RISK OF FIRE**

- Use only commercially available floor cleaners and waxes intended for machine operation.
- Do not use flammable materials.

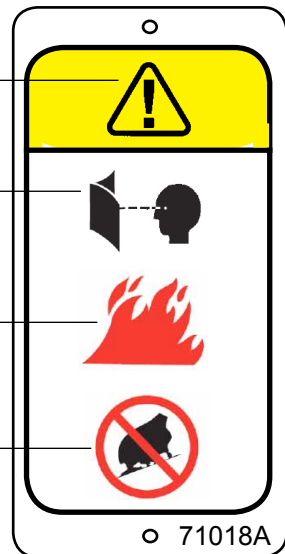
One Touch Button



**RISK OF INJURY OR DAMAGE TO MACHINE**

- Do not turn, stop or leave machine on a ramp or dock.

WARNING



Display Screens For FOCUS Rider

Traverse speed indicator  
 1 = low 0-2 mph  
 2 = med 0-3 mph  
 3 = high 0-4 mph

Position arrow indicating current position of squeegee (up or down)

Indicators are on, showing current settings.

Water "droplets" off when solution is off and they are flashing when solution is on.

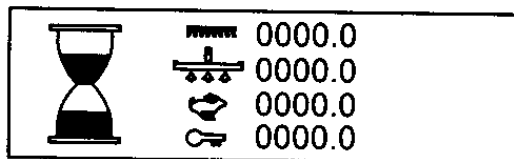
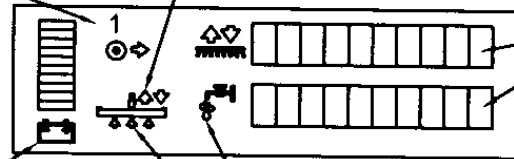
Arrows indicating vacuum status. They are flashing when vac is on and off when vac is off.

"Battery" blinks when low voltage occurs.

Screens Available to Operator

SCREEN 1

SCREEN 2



Example

SCREEN 3 (Diagnostic)



The Diagnostic only. It will not show unless a fault with the machine occurs. When the fault happens the icon and error code will be displayed.

**Machine Control Panel**

**On/Off Key Switch (See figure 1, Item D)**

The key switch turns “ON” the power to the control panel. “O” is the “OFF” and “I” is the “ON”.

**Brush Up/Down Switch (See figure 1, Item A)**

To lower brush head, push the brush switch in the down (+) position. To lower the brush head to maximum brush pressure, continue to hold the switch in the down (+) position until the travel stops. The brush motors will start and solution will flow (provided the solution is turned “ON”) when the machine begins to traverse. To raise the brush head, push the brush switch in the up (-) position until the brush head travel stops or desired position is reached.

**Squeegee Up/Down Switch (See figure 1, Item B)**

The squeegee switch is used to raise and lower the squeegee and to turn on and off the vacuum motor. The vacuum motor is turned on when the switch is placed in the middle or lower position. **NOTE: When the squeegee switch is placed in the lower position, the vacuum motor will turn on.**

To raise the squeegee, place the switch in either the middle or up position. The middle position is used for one touch control. The vacuum motor will stop, after a short delay, when the switch is placed in the up position.

**Hour Meter (See figure 1, Item E)**

The hour meter is located on the front display. You must toggle screens using LCD display button. The hour meter indicates the number of hours the machine has operated. It displays brush motor, vacuum motor, traverse motor and total key on times.

**Battery Meter (See figure 1, Item F)**

The battery meter indicates the relative charge on the battery pack. The battery meter is located on screen 1 on the front display. See page 7.

**Solution Flow Control (See figure 1, Item C)**

The solution flow switch regulates the flow of chemical solution to the floor. To increase the flow, toggle (+). To decrease the flow, toggle (-). To shut off the solution, toggle - until no indicators are visible on display. **NOTE: DO NOT run dry!**

**NOTE: No solution will flow when the machine does not traverse.**

**Circuit Breakers**

The circuit breaker reset buttons are located on the back side of the front cover below front display. The breakers are as follows:

- Item A - Main (5 amp)
- Item B - Key Switch (5 amp)

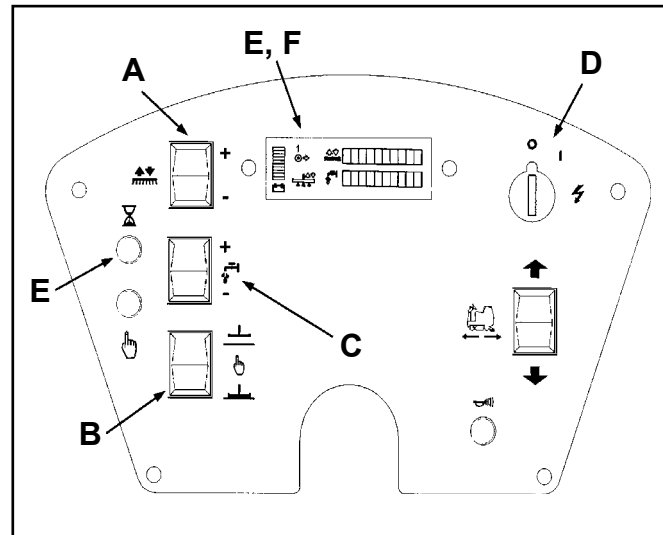


Figure 1



## Machine Controls and Features

### Recovery Tank Float

The FOCUS Rider Scrubber is equipped with a float that shuts the vacuum off when the recovery tank is full. The squeegee will no longer pick up water. If this should happen, raise the squeegee and empty the recovery tank.

### The Traverse

The FOCUS Rider Scrubber is equipped with an electronically controlled traverse system with variable speeds in forward and reverse.

1. To traverse the machine, the power to the machine must be turned on with the key switch and the operator must be properly seated.
2. The traverse speed can be adjusted by varying the pressure on the foot pedal.

**NOTE: During reverse motion, the squeegee raises and the solution flow stops automatically. Reverse also reduces maximum traverse speed.**

### Brakes

The machine is equipped with an electronic braking system. The electronic braking is activated automatically. NOTE: During training, you should allow machine to come to a full stop until you become familiar with stopping distances required.

### Parking Brake

The parking brake is activated automatically when the machine comes to a stop. It disengages automatically when you begin to traverse. The transaxle is equipped with a manual brake release. NOTE: Machine will not function when manual brake release is engaged. See figure 2.

### Reverse Alarm

The reverse alarm will sound intermittently and automatically when the machine is in reverse.

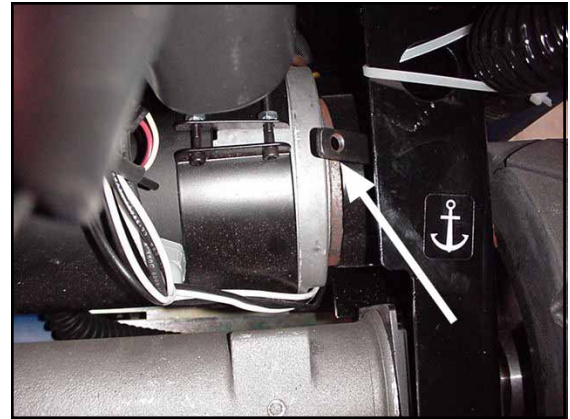


Figure 2

## How To Prepare the Machine For Operation

### How To Handle the Packed Machine

The machine is packed in a specific package provided on a pallet so that it can be moved with a forklift.

**WARNING:** The packages cannot be placed on top of each other.

### How to Unpack the Machine

1. Remove the outer package.
2. The machine is fixed on the pallet with banding straps and wooden blocks to prevent movement during shipment. Remove the bands and blocks.
3. The machine is shipped with the batteries already installed.
4. Remove tie down brackets.
5. Lower the ramp. The machine can be driven off of the pallet if the operator is thoroughly familiar with its operation. Avoid violent blows to the base unit.
6. Keep the pallet for future transport necessities.

### How to Install the Batteries

**WARNING:** The batteries are heavy. Lifting batteries without help could result in an injury. Get help to lift the batteries.

**WARNING:** Working with batteries can be dangerous. Always wear eye protection and protective clothing when working near batteries. **NO SMOKING!**

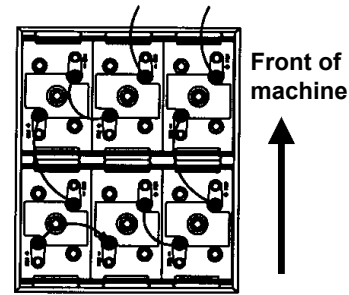
**WARNING:** Hydrogen gas is formed during the charging operation and is explosive. Only charge batteries in a well ventilated area with the seat base lifted.

The batteries are fitted in the battery compartment under the seat and recovery tank (figure 3). The machine uses six - 6 volt batteries. They must be handled by using appropriate lifting equipment suitable for the weight and for the coupler system. For maintenance and daily recharge of the batteries, it is necessary to follow all instructions given by the manufacturer.

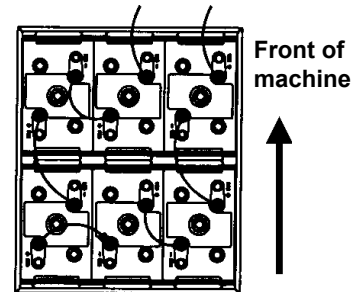
For Battery Installation follow these steps (See figure 3):

1. Make sure that the key switch is in the "OFF" position.
  2. Lift and rotate the base support of the seat forward.
  3. Lean the seat on it's restraint cable.
  4. Lift the front of the recovery tank and rotate it towards the rear until it rests on it's restraint cable.
  5. Put the batteries into position and connect the battery cables as shown in figure 3.
  6. Rotate the recovery tank and then carefully rotate it forward to the normal operating position.
  7. Lower the base support of the seat.
- NOTE:** Charge the batteries before using.

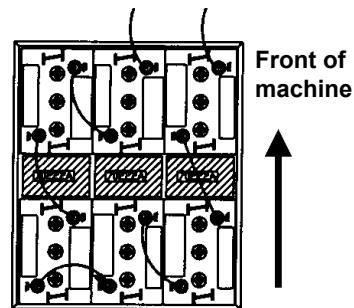
### BATTERY CONNECTIONS



370 AH, 6 Volt  
(Battery No. 40704A Wet)  
(Battery No. 40602A Dry)



330 AH, 6 Volt  
(Battery No. 891384 Wet)  
(Battery No. 891385 Dry)



250 AH, 6 Volt  
(Battery No. 881317 Wet)  
(Battery No. 881318 Dry)  
Three (3) 70222A Spacers

Figure 3

## How To Prepare the Machine For Operation

### Battery Maintenance

The electrical power to operate the machine comes from the storage batteries. Storage batteries need preventative maintenance.

**⚠ WARNING:** Working with batteries can be dangerous. Always wear eye protection and protective clothing when working near batteries. **NO SMOKING!**

To maintain the batteries in good condition, follow these instructions:

1. Keep the electrolyte at the correct level. The correct level is between 1/4" (1/2 cm) below the bottom of the tube in each cell and above the tops of the plates. Check the level of the electrolyte each time you charge the batteries (see figure 4).

**NOTE:** Check the level of electrolyte prior to charging the batteries. Be sure the plates in each cell are covered with electrolyte before charging. Do not top off the cells prior to charging the battery. Electrolyte expands during charging. As a result, the electrolyte could overflow from the cells. Always top off the cells with distilled water after charging.

**⚠ CAUTION:** Irreversible damage will occur to the batteries if electrolyte does not cover the plates. Keep the electrolyte at the correct level.

**⚠ CAUTION:** Machine damage and discharge across the tops of the batteries can occur if the batteries are over filled. Do not fill the batteries up to the bottom of the tube in each cell. Wipe any acid from the machine or the tops of the batteries. Never add acid to a battery after installation.

**⚠ CAUTION:** Batteries must be refilled with distilled water only. Do not use tap water as it may contain contaminants that will damage batteries.

2. Keep the tops of the batteries clean and dry. Keep the terminals and connectors clean. To clean the top of the batteries, use a damp cloth with a weak solution of ammonia or bicarbonate of soda solution. To clean the terminals and connectors, use a terminal and connector cleaning tool. Do not allow ammonia or bicarbonate of soda to get into the batteries.
3. Keep the batteries charged.

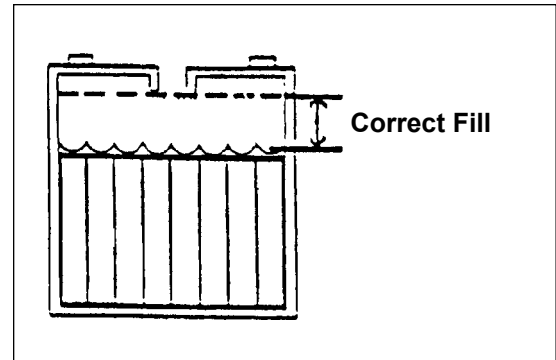


Figure 4

**How To Prepare the Machine For Operation**

How to Charge the Batteries

**⚠ WARNING:** Charging the batteries in an area without adequate ventilation could result in an explosion. To prevent an explosion, charge the batteries only in an area with good ventilation.

**⚠ WARNING:** Lead acid batteries generate gases which could explode. Keep sparks and flames away from batteries. **NO SMOKING!**

**⚠ CAUTION:** See Charger Owner's Manual. All onboard battery chargers are programmed for a specific type battery. The charger may need reprogramming to properly charge replacement batteries different than the originally equipped Clarke battery.

**NOTE:** Only replace batteries with the identical Clarke battery pack as originally equipped. The correct Clarke battery part number can be found on the Clarke battery label affixed to the top of each battery.

If the replacement battery is a different Clarke battery, please contact Clarke Technical Service, 1-800-356-7274, for instructions.

If the replacement battery is not a Clarke battery, please contact the charger manufacturer for instructions.

To charge the batteries, follow this procedure:

1. Make sure the key switch is in the "OFF" position.
2. Raise the seat base support.
3. Connect the battery charger AC cord to a 15 amp (min) 120V properly grounded wall receptacle.
4. Observe indicator light to ensure the charging process has started (see figure 5, A - Red, B - Yellow, and C - Green ). For color indications see figure 6.

**Recharging the Batteries**

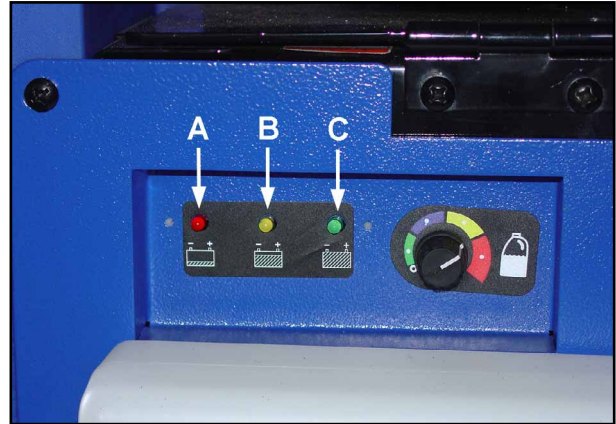
The Focus Rider Scrubber comes with an on board charger.

1. Plug into any wall socket and charging is automatic.
2. Observe indicator light to ensure the charging process has started (see figure 5, A - Red, B - Yellow, and C - Green ). For color indications see figure 6.

**NOTE:** Make sure you plug into a circuit that is not loaded by other equipment. Wall breakers may be tripped and no charge will occur.

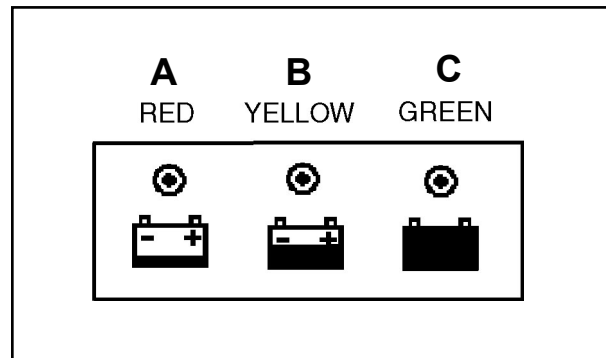
**⚠ WARNING:** Never charge a GEL battery with an unsuitable battery charger. Carefully follow the instructions given by the manufacturer of the batteries and battery charger.

**NOTE:** To prevent permanent damage to the batteries, avoid their complete discharge. Never leave the batteries completely discharged, even if the machine is not being used. When recharging the batteries, keep the base support of the seat lifted. After every 20 recharging operations, check the level of the electrolyte and if necessary top off with distilled water.



(Shown with Optional Chemical Mixing System)

**Figure 5**



**Figure 6**

## How To Prepare the Machine For Operation

### Level Indicators for the Charge of the Batteries

The battery meter ( see figure 7) on the control panel has a digital read out with 10 fixed positions (A) and also a blinking indicator (B). The bars that appear on the display show the approximate charge level with icon (blinking) discharged battery.

**NOTE:** A few seconds after the voltage reads 32V it will start blinking. The brush motors will then automatically switch off.

### How To Install the Squeegee

To install the squeegee onto the machine, follow this procedure:

1. The squeegee assembly has a break away feature that is also used for mounting the squeegee. Loosen the knobs on the squeegee (figure 8). Slide the stud into the slotted hole in the support frame on the machine.
2. Attach the vacuum hose cuff to the squeegee hose fitting (see figure 9).
3. Tighten knobs. **NOTE: Do not overtighten or break away feature is lost and damage may occur.**

**NOTE:** To prevent damage to the squeegee or machine, the squeegee was designed to break away from the machine. If the squeegee is impacted and it breaks away from the machine, simply reinstall it by following step 1-3.

### How to Adjust the Squeegee

During operation, the rear squeegee blade should have a constant 3/16" minimum flare along the entire squeegee blade (see figure 10).

1. The squeegee body can be tilted to adjust the squeegee blade flare in the middle to match the flare on the ends. To adjust the tilt, loosen the adjusting bolt located on the left and right side of the squeegee (see figure 9).
2. Press down on the squeegee until both sets of guide wheels contact floor.
3. After making adjustments, retighten the screw(s).

**NOTE:** It is important that the right and left wheels are contacting the floor in order for the squeegee to work.

**NOTE:** As the rear squeegee blade wears, it can be rotated and/or flipped to obtain four good edges before having to change blades.

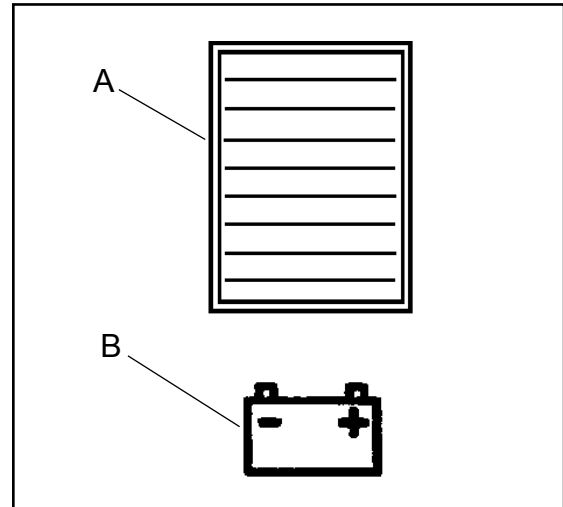


Figure 7

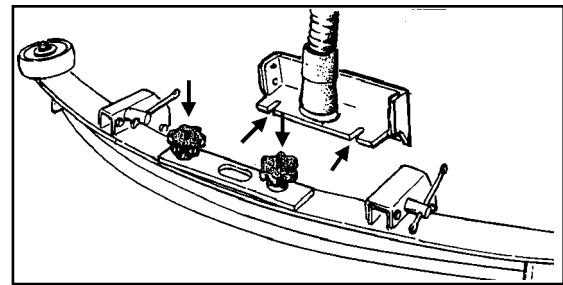


Figure 8

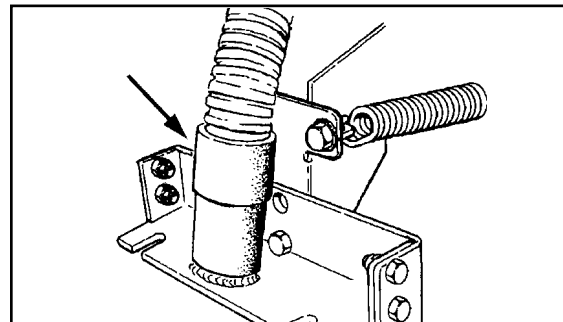


Figure 9

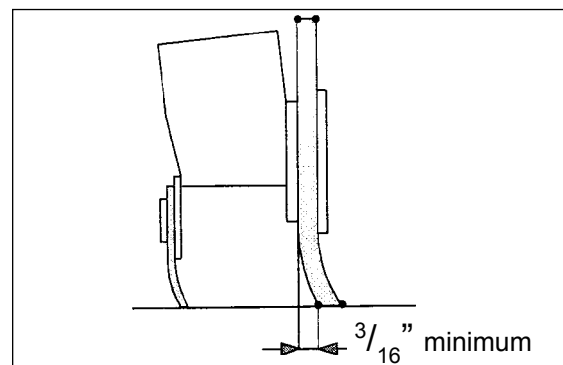


Figure 10

**How To Prepare the Machine For Operation****How To Change or Rotate Brushes on Cylindrical Brush Head**

To install or rotate brushes on the cylindrical brush head:

1. Raise the brush deck and turn the key switch "OFF".
2. Raise the brush skirt and pull out to remove. See figure 11.
3. Remove thumb screw from brush door. See figure 12.
4. Lower door approximately 1/2 inch and slide door and hub assembly from brush. See figure 13.
5. Slide brush off hub at opposite end. See figure 14.
6. Rotate brush or replace.
7. Slide brush on drive hub and insert door and hub assembly into brush core.
8. Raise door and install thumb screw.
9. Place side skirt on retainer pins and lower in place.

**Figure 11****Figure 12****Figure 13****Figure 14**

## How To Prepare the Machine For Operation

### How To Install The Brush Or Pad on the BOOST machine

To install the brush or pad on the BOOST machine, follow this procedure:

1. Turn the key switch "ON".
2. Put the brush switch in the "UP" position.
3. Turn the key switch "OFF".
4. Go to the side of the machine.
5. Press on a brush or pad under the flex plates. See figure 15.

NOTE: When using a black pad, position pad on head. Lower head and operate momentarily to affix pad to pad driver (if you have difficulty, position pad on floor and lower head then operate.)

### How To Remove The Brush Or Pad on the BOOST machine

To remove the brush or pad from the machine, follow this procedure:

1. Turn the key switch "ON".
2. Put the brush switch in the "UP" position.
3. Turn the key switch "OFF".
4. Go to the side of the machine.
5. Pull downward on the brush or pad until it releases from the flex plates. See figure 16.

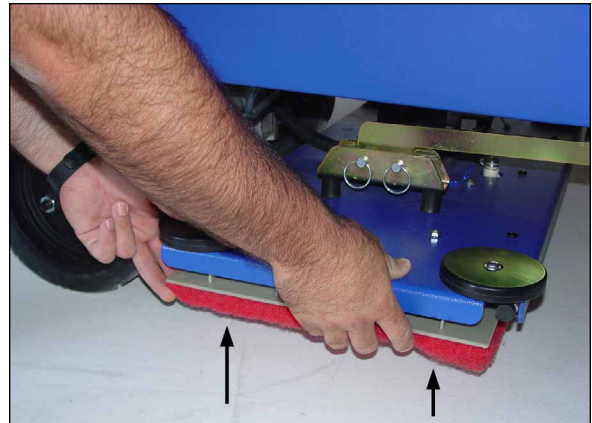


Figure 15

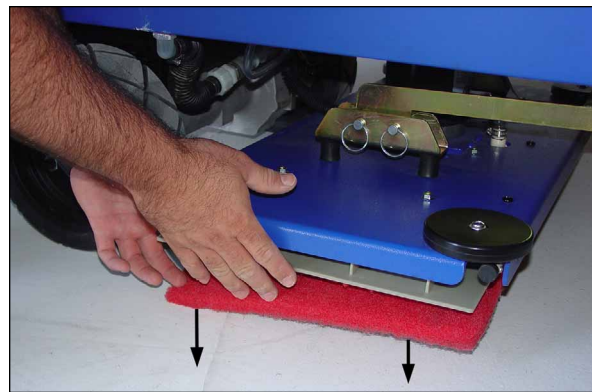


Figure 16



**How To Operate The Machine**

**How to Return One Touch to Factory Default Settings**

To restore the factory settings, follow the procedures below:

1. Press and hold the green one touch button (figure 17) until you hear a *double beep* from the machine. **NOTE: The time required for this will be approximately 15 seconds.**
2. The settings should be returned to 2 bars of solution and 1 bar of brush pressure. **NOTE: The squeegee vac switch must be in the middle position for default settings to work.**

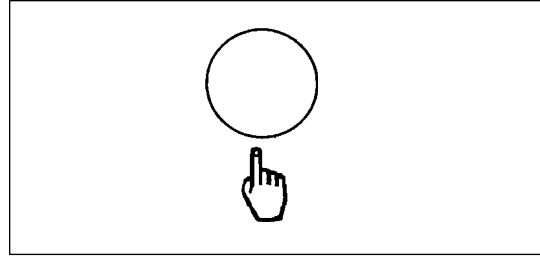


Figure 17

**How to Move the Machine Without Power (see figure 18)**

1. Engage manual override on brake (see page 9, "Parking Brake").
2. Remove foot plate and 4 screws and locate steering motor.
3. Using the knob on steering motor, turn shaft on motor in direction you wish to turn machine.
4. Slowly push machine to desired location. **NOTE: If you attempt to push machine too fast it will limit top speed. If this happens, stop and restart.**
5. After moving machine, disengage manual brake override. **NOTE: Machine will not function if override is engaged.**

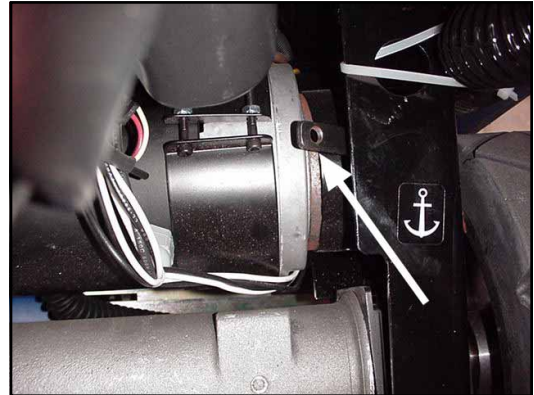


Figure 18

**Seat Adjustment (Standard)**

The standard seat is not adjustable forward or backward.

**Seat Adjustment (Deluxe)**

The optional deluxe seat is adjustable in three ways:

1. The seat can be adjusted to the forward/backward position by using the lever on the lower right side of the seat. Moving the lever will allow the seat to slide into the preferred position. See figure 19.
2. To adjust the angle of the back support portion of the seat, turn the lever located in the middle right position of the seat. Turning this clockwise will make the seat more vertical. Turning the knob counterclockwise will tilt the seat back. See figure 20 A.
3. To adjust the suspension of the seat for operator comfort, use the lever on the side of the back support section of the seat. This has three positions. The upper position is for light weight operators. The middle position is for medium weight operators. The bottom position is for heavy weight operators. See figure 20, B. **NOTE: The lever must be pressed firmly to change positions.**

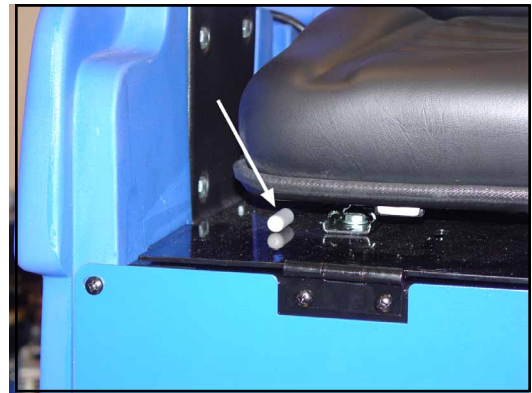


Figure 19

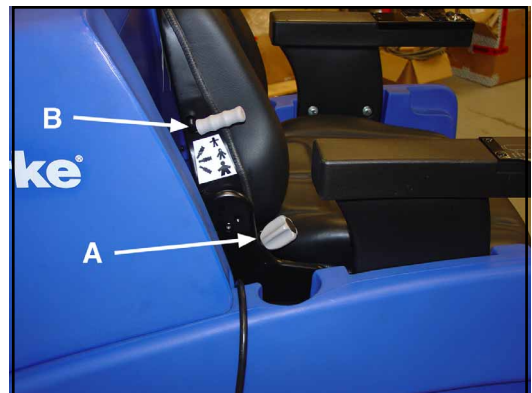


Figure 20



**How To Operate the Machine**

**How to Read the Battery Meter (see figure 21, A)**

The battery meter is an indicator on the LCD display. This indicator is on the LCD display on the front of the machine. It has 10 bars with 10 bars visible indicating a full charge. As you run the machine the bars will begin to lower. The “Battery Icon” (B) will begin to flash to indicate you are reaching the end of charge.

**NOTE: If you continue to run the brushes they will shut down to protect the batteries from over discharging.**

**NOTE: Run times will vary depending on machine variables, battery size, brush pressure and floor type, etc.**

**How to Change Displays Screens on the LCD Module**

The LCD display has three screens. Two of them can be accessed at any time the key is on. The first screen shows the machine status and the second screen shows the four hour meters (figure 21).

The two screens that can be viewed by the operator can be accessed via the display button (figure 22) on the control panel to the left of the key switch. Pressing this button toggles the display between the available screens.

The third screen is for diagnostics only. This screen displays any errors that might occur or if the system diagnostics finds something wrong. When the diagnostic screen comes up, refer to the trouble shooting guide for suitable action to resolve the error code.

**How to Read the Solution Empty Indicator (see figure 23, A)**

The solution empty indicator is located on the front of the machine below the LCD display. When the solution reaches nearly empty, the indicator will begin to flash, warning the operator of the need to refill.

**NOTE: Solution run times will vary depending on solution flow setting.**

**How to Read the Recovery Full Indicator (see figure 23, B)**

The recovery full indicator is located on the front of the machine below the LCD display. When the recover tank is near full the indicator will begin to flash, warning the operator of the need to empty the recovery tank. The vacuum motors will shut down a few moments later.

**NOTE: Recovery times will vary depending on**

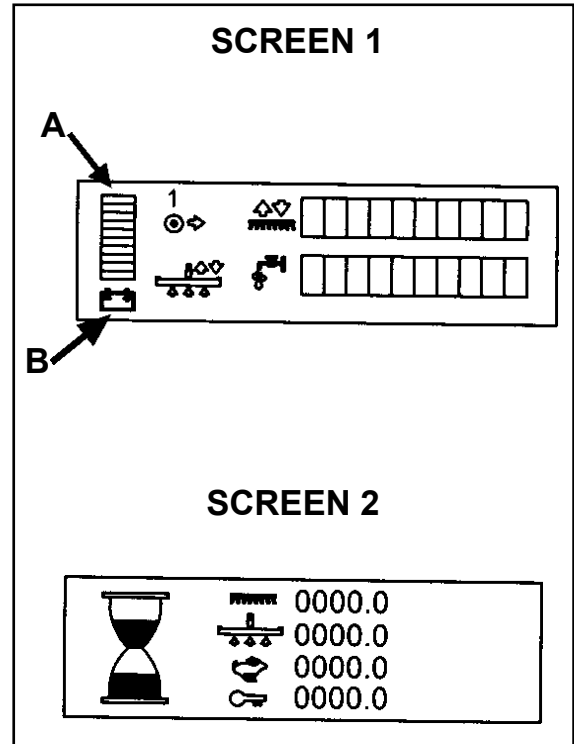


Figure 21

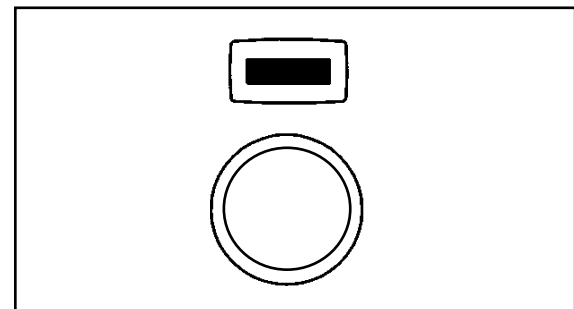


Figure 22

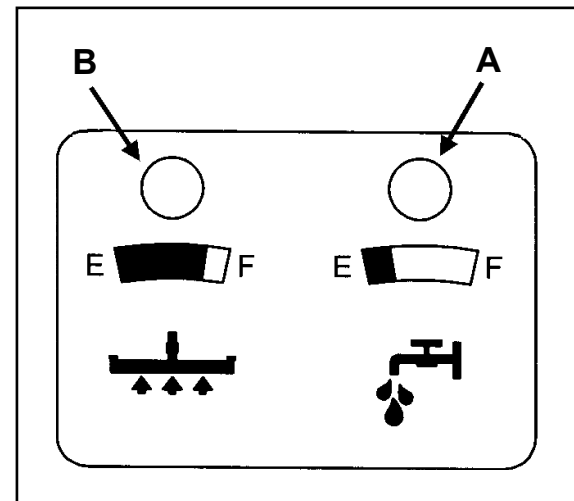


Figure 23

## How To Operate the Machine

### How to Operate the Squeegee and the Vacuum Motor

The squeegee wipes the floor while the vacuum motor removes the dirty solution from the floor. To operate the squeegee, follow this procedure:

1. To lower the squeegee and start the vacuum motor, press the squeegee up/down switch to the down position (figure 24).  
**NOTE: The vacuum motor will start immediately when the down position of the switch is pressed, and the squeegee will lower.**
2. To raise the squeegee, press the squeegee up/down switch to the up position (figure 24). The squeegee will then raise and the vacuum motor will shut off after short delay **NOTE: The center position of the squeegee up/down switch is for use with one touch control.**

**NOTE:** The squeegee will raise automatically when traversing in reverse during scrubbing operations.

### How to Operate the Solution Flow

The solution is used to loosen and remove dirt from the floor. The amount of solution applied can be adjusted to five different levels to accommodate many different floor conditions. These different levels are shown on the LCD display on the front of the machine. To adjust the amount of solution applied, use the Solution Flow Switch (figure 25). **NOTE: There are five different settings on the display. See figure 26, A.**

To increase solution flow:

1. Press the “+” side of the switch (figure 25).
2. Press and hold the “+” switch to achieve the desired level of solution flow.

To decrease solution flow:

1. Press the “-” side of the switch (figure 25).
2. Press and hold the “-” side of the switch to achieve the desired level of solution flow.

### How to Operate the Brush Pressure

The brushes are used to supply agitation for the solution, which improves the cleaning process. The amount of brush pressure applied can be adjusted to five different levels to accommodate many different floor conditions. These different levels are shown on the LCD display on the front of the machine (figure 26, B). To adjust the amount of brush pressure, use the brush up/down switch (figure 27).

To increase brush pressure:

1. Press the “+” side of the switch (figure 27).
2. Press and hold the “+” switch to achieve maximum level of pressure.

To decrease brush pressure:

1. Press the “-” side of the switch (figure 27).
2. Press and hold the “-” side of the switch to achieve minimum or no brush pressure.

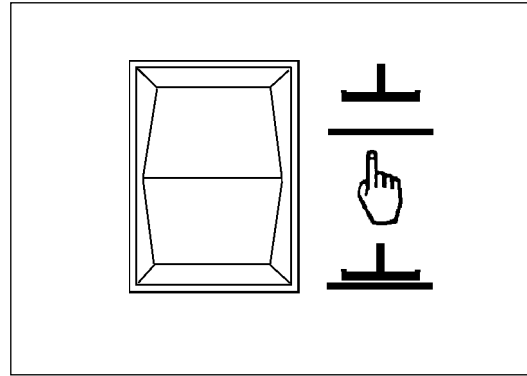


Figure 24

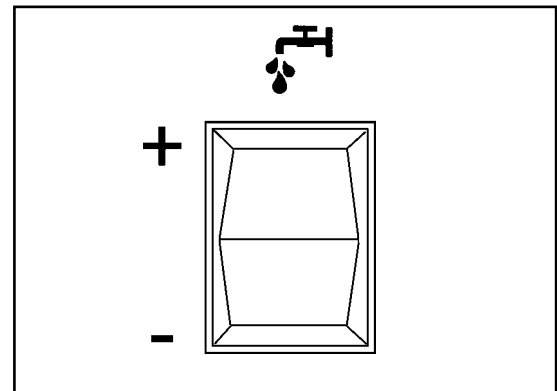


Figure 25

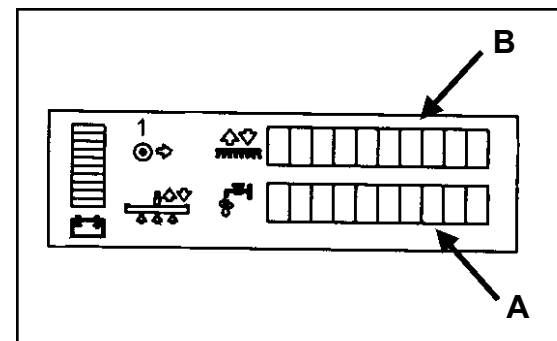


Figure 26

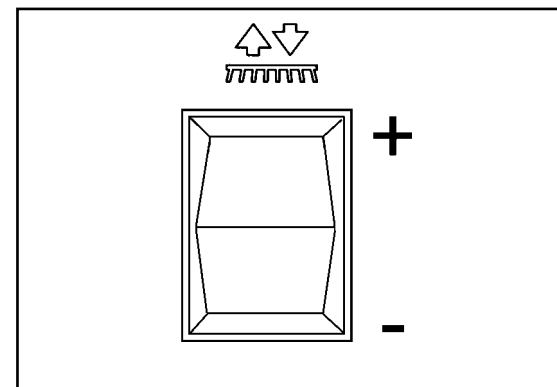


Figure 27

## How To Operate the Machine

### How to Operate the Forward / Reverse Switch

(see figure 28).

1. To go forward, push the up arrow side of the switch.
2. To go in reverse, push the down arrow side of the switch.

### How to Fill the Solution Tank

The solution tank fill port is located at the left side of the machine (see figure 29). To fill the solution tank, follow this procedure:

1. Turn the key switch to the "OFF" position.
2. Remove lid.
3. Add a cleaning chemical to the solution tank. For the correct amount of chemical, follow the directions shown on the container. **NOTE: Excess foam in the recovery tank could damage the vacuum motor, so use only the minimum amount of detergent necessary.**

**⚠ WARNING:** Always use low foam detergent. To avoid the production of foam, before starting to clean, put a minimum quantity of antifoam liquid into the recovery tank. NEVER USE PURE ACID.

4. Fill the solution tank with clean water (see figure 29).
5. After filling the solution tank, replace the solution tank lid.

**⚠ WARNING:** Water solutions or cleaning materials used with this type of machine can leave wet areas on the floor surface. These areas can cause a dangerous condition for the operator or other persons. Always put CAUTION signs near the area you are cleaning.

**⚠ WARNING:** Machines can ignite flammable materials and vapors. Do not use with or near flammables such as gasoline, grain dust, solvents and thinners. Only use a cleaning concentration recommended by the chemical manufacturer.

**⚠ WARNING:** Clarke recommends a maximum water temperature of 120°F (49°C).

### Operating the Machine

**NOTE:** Before scrubbing with the machine, become familiar with the operations and handling of the machine. Run the machine at the lowest traverse speed. Use the machine in an area that has no furniture or objects until you can do the following:

1. Traverse the machine in a straight direction, forward and backward.
2. Stop the machine safely.
3. Turn the machine both left and right and return to a straight direction.
4. Turn a 180° turn where one rear wheel just pivots.

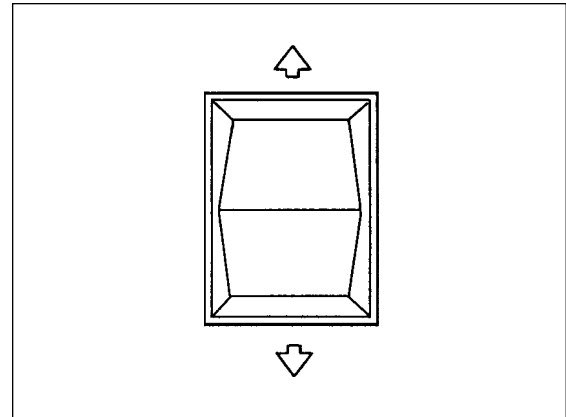


Figure 28



Figure 29

## How To Operate the Machine (cont.)

To traverse the machine follow this procedure:

1. Sit on the driver seat. **NOTE: The machine will not traverse if the operator is not properly seated.**
2. Turn the key switch to the "ON" position.
3. Raise the brush to the highest position (if necessary).
4. Raise the squeegee (if necessary).
5. Gently press the foot pedal and the machine will begin to move.
6. To stop, release pressure on the foot pedal.
7. To travel in reverse, select reverse with the forward/reverse switch.
8. To stop, release pressure on the foot pedal.
9. When you stop the machine, turn the key switch "OFF" and remove the key.

### Do These Procedures When You Begin Your Work Period

1. Make sure the key switch is in the "OFF" position.
2. Disconnect AC power from battery charger (follow charger instructions).
3. Make sure the filter screen (1) to the vacuum motor is clean and installed properly in the recovery tank (see figure 30).
4. Make sure the recovery tank lid is in place and has been tightened (see figure 31).
5. Close and secure the lower cleaning port cover (if so equipped) on the recovery tank.
6. Make sure that the plug in the recovery drain hose is in place and has been tightened (see figure 32).
7. Make sure that the brushes/pads are in position and installed correctly.
8. Make sure the brush housings are in position on the brush head.
9. Check the installation of the squeegee and squeegee hose.

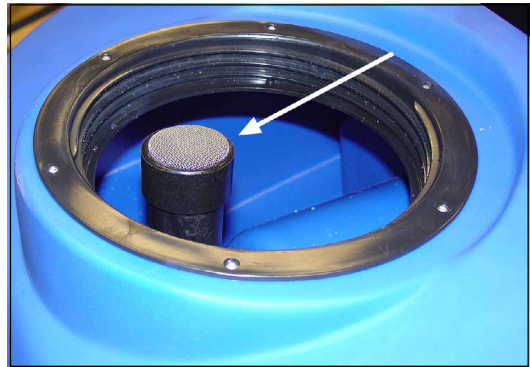


Figure 30




Figure 31



Figure 32

## How To Operate the Machine

### How to Clean a Floor

 **WARNING:** Water solutions or cleaning materials used with this type of machine can leave wet areas on the floor surface. These areas can cause a dangerous condition for the operator or other persons. Always put CAUTION signs near the area you are cleaning.

For one touch automatic cleaning follow this procedure:

1. Turn the key switch to the "OFF" position.
2. Put the water and a cleaning chemical in the solution tank.
3. Sit on the driver seat. **NOTE: The machine will not traverse if the operator is not properly seated.**
4. Turn the key switch "ON". **NOTE: The key switch turns on the battery and LED screen displays, which shows the machines condition.**
5. The machine has a one touch button on the control panel (see figure 33) that is preset for brush pressure and solution flow. Momentarily depress the one touch button if you wish to use these settings. **NOTE: If this is not the settings that you desire see page 16 or one touch operation.**

For manual control of cleaning process, follow these procedures:

1. Turn the key switch to the "OFF" position.
2. Put the water and a cleaning chemical in the solution tank.
3. Sit on the driver seat. **NOTE: The machine will not traverse if the operator is not properly seated.**
4. Turn the key switch "ON". **NOTE: The key switch turns on the battery and LED screen displays, which shows the machines condition.**
5. Lower the squeegee. **NOTE: The vacuum motor will turn on when the squeegee up/down switch is placed in the lower position.**
6. Lower the brush head until it reaches the full stroke down. **NOTE: The brushes will start rotating only when the machine begins to traverse.**
7. Reset the solution flow valve by using the + / - solution switch. **NOTE: The solution will flow only if the machine is moving forward.**
8. After a few feet of scrubbing, check to see that the amount of solution being applied is correct and that the squeegee is picking up water and drying the floor. Make adjustments as required.
9. Once the machine is set properly continue to scrub until the solution low indicator comes on or until you run out of solution.

**NOTE:** When making multiple passes across the floor, overlap the brush cleaning path approximately 2 inches (5 cm) of the area already cleaned by the brush.

**NOTE:** During most cleaning procedures, apply and remove the solution in one operation.

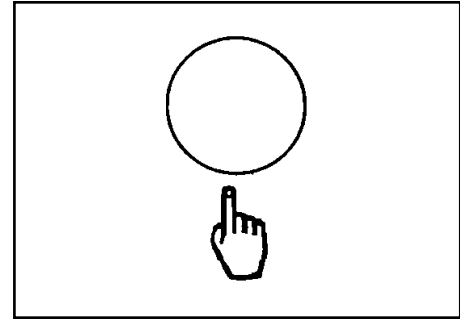


Figure 33

## How To Operate the Machine

### How to Clean a Very Dirty Floor

To clean a very dirty floor, follow this procedure:

1. Apply solution to the floor.
2. Do not lower the squeegee. This will keep the vacuum motor off.
3. Lower the brush or pad and scrub the floor.
4. Scrub the floor again with additional solution and lower the squeegee.
5. Pick up all the solution with the squeegee.

### Do These Procedures When You End Your Work Period

Having finished the job and before any type of maintenance is done, follow these procedures:

For one touch cleaning shut down process, press and release the one touch button.

For manual shut down follow these procedures:

1. Turn the solution flow off by decreasing the flow to its minimum position.
2. Press the brush up/down switch to the up position until the brush head has reached its up most position.
3. Place the squeegee up/down switch in the up position to raise the squeegee and allow the vacuum motor to continue to run. The vacuum motor will run for another 20 seconds and then place the squeegee up/down switch to the down position. This will shut the vacuum motor off.
4. Take the machine to a water drain.
5. Turn the key switch "OFF".
6. Remove the drain hose from the holding hook.
7. Put the end of the hose over a drain or bucket.
8. Turn the valve housing to the left (see figure 34).
9. To open the valve completely, turn the housing fully to the left. Pull the housing off of the valve.
10. Empty the recovery tank. **NOTE: When hose is lowered below water level, water will flow.**



**WARNING:** Use gloves to protect your hands from contact with dangerous solutions when performing the steps listed above.



Figure 34

## How To Operate the Machine

11. Rinse the tank. Put clean water in the tank through the opening at the top. Be careful not to allow water into the vacuum intake tube (with screen).
12. If the tank or recovery hose has an obstruction, use water pressure to flush them. Put the water hose into the recovery hose (figure 35, A). **NOTE: Do not place water hose in vacuum intake tube (see figure 35, B), damage will occur.**

The recovery hose (figure 35, A) is located to the right of the vacuum intake tube (see figure 35, B). The recovery hose is flexible, which will allow you to move it toward the opening for easy access to the water hose for flushing the line.

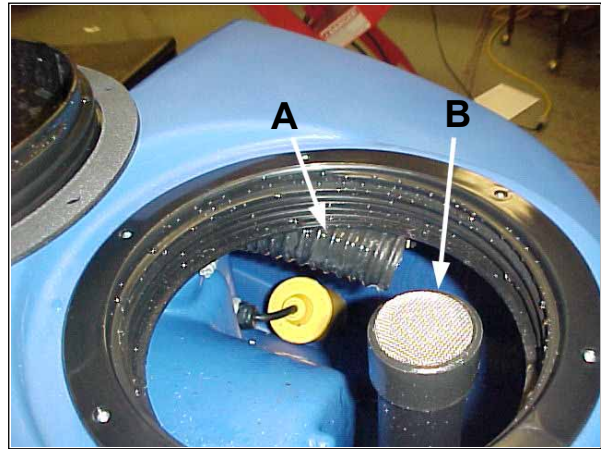


Figure 35

13. Leave the tank and drain plug removed to air dry.
14. Check the squeegee blade. Use a cloth to clean the squeegee blade. If the squeegee blade is damaged or worn, turn or replace the blade.
 

**NOTE:** To avoid damage to the squeegee, the squeegee must be lifted when the machine is not in operation.
15. Take off the brushes and clean them with a jet stream of water.
16. Use a clean cloth and wipe the surface of the machine.
17. Check the batteries and add distilled water as needed. The correct level is between  $\frac{1}{4}$ " ( $\frac{1}{2}$  cm) below the bottom of the tube in each cell and above the tops of the plates. See the instructions in the section of this book called "Battery Maintenance".

**CAUTION:** Tap water may contain contaminants that will damage batteries. Batteries must be refilled with distilled water only.

**WARNING:** Lead acid batteries generate gases which can cause an explosion. **NO SMOKING.** Always wear eye protection and protection clothing when working near batteries.

18. Charge the batteries. See the instructions in the section of this book called "How to Charge the Batteries".

**Maintenance**

**Maintenance To Be Done Every Week**

**⚠ WARNING:** Maintenance and repairs must be done by authorized personnel only. Always empty the solution tank and the recovery tank before doing any maintenance. Keep all fasteners tight.

**⚠ WARNING:** Always wear eye protection and protective clothing when working near batteries. **NO SMOKING!** Do not put tools or other metal objects across the battery terminals or the tops of the batteries.

**⚠ CAUTION:** To prevent damage to the machine, and discharge across the tops of the batteries, do not fill the batteries above the bottom of the tube in each cell. Wipe any acid from the machine or the tops of the batteries. Do not add acid to batteries after installation.

**Battery Inspection and Cleaning**

1. Turn the key switch to the "OFF" position.
2. To inspect batteries, rotate seat support forward. Lift and rotate recovery tank. Be sure the recovery tank is empty before lifting.
3. Disconnect the batteries. Use a cloth and a solution of ammonia or bicarbonate of soda to wipe the top of the batteries. Clean the battery terminals. Reconnect the batteries. See the instructions in the section of this book called "Battery Maintenance".
4. When battery inspection is completed, close the recovery tank. Rotate the seat support back to the operating position.

**Cleaning the Recovery Tank and Filter**

1. Turn the key switch to the "OFF" position.
2. Empty the recovery tank using the flexible drain hose by unscrewing the knob and taking off the plug (see figure 36).
3. If the machine is equipped with the optional clean-out port, open the lower cleaning port cover by unscrewing the four knobs (see figure 37). **NOTE: Make sure that the tank is empty first.**
4. Rinse the tank and clean the drain plug.



Figure 36

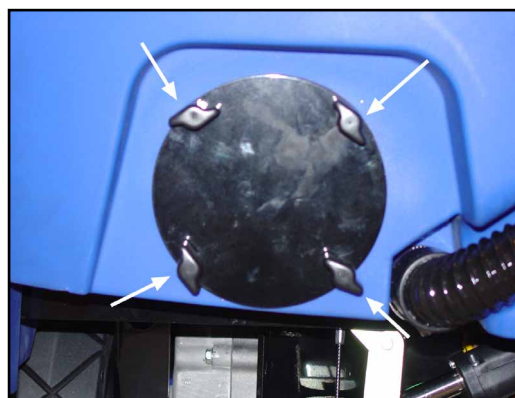


Figure 37



## Maintenance

5. Clean the hose fitting in the recovery tank and spray water down the squeegee hose to clean out debris.
6. Reattach the squeegee hose.

### Cleaning the Solution Tank and Filter

1. Move the machine so that the solution tank filter assembly is located directly over a floor drain.
2. Turn the key switch to the "OFF" position.
3. Clean inside the solution tank with a jet stream of water.
7. Close the solution flow valve.
8. Clean the filter inside the housing and reinstall on machine.

### Manually Draining the Solution Tank

1. Remove sight gauge hose from top connector (see figure 38).
2. Rotate lower fitting to allow drain hose to rest over drain.
3. Drain solution tank (see figure 39).

### Vac Assisted Solution Tank Drain

1. Remove vacuum hose from squeegee plate.
2. Turn vac on.
3. Remove and place solution hose into vac hose until washer rest against hose cuff.

**NOTE: Using vac assist will help to rinse recovery tank. This will help to reduce cleanup and maintenance times.**

### Squeegee Maintenance

Clean the squeegee with a jet stream of water and a damp cloth. Inspect the front and rear squeegee blades for wear. Readjust or replace if necessary.

### Front Squeegee Blade Replacement

To replace the front squeegee blade, follow this procedure:

1. Remove the squeegee assembly from the machine.
2. Remove clamp and front squeegee blade.
3. Install new front squeegee blade and reinstall clamp.
4. Replace squeegee on machine.



Figure 38



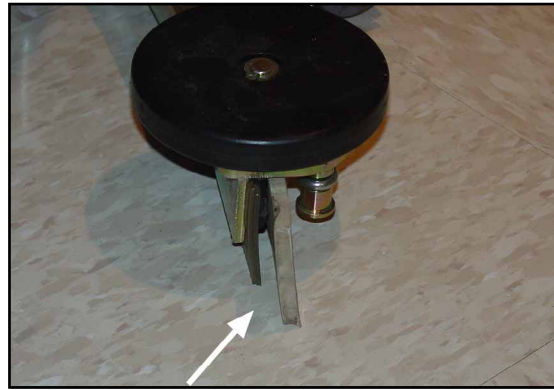
Figure 39

**Maintenance**

**Rear Squeegee Blade Replacement**

If the rear squeegee blade is worn and does not dry the floor well, follow this procedure:

1. Remove the squeegee assembly from the machine.
2. Remove the squeegee blade and inspect it.
3. Rotate the squeegee blade to obtain a new cleaning edge. Replace if necessary.
4. Reinstall the squeegee blade.
5. Reinstall the squeegee assembly on the machine.
6. Readjust the settings on the squeegee as required (see "How to Adjust Squeegee").

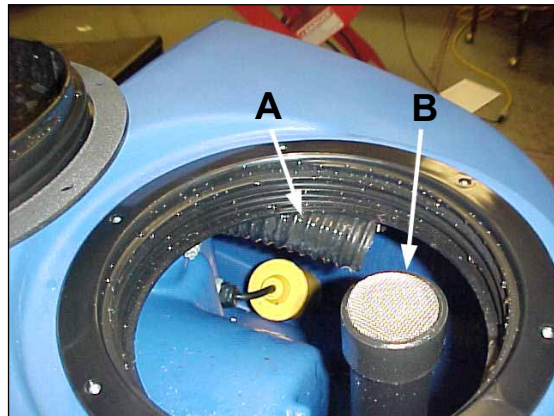


**Figure 40**

**Squeegee Maintenance**

The squeegee blade may be rotated for longer life. Keep sharp corner on floor for best cleaning results. See figure 40. To rotate follow this procedure:

1. Remove Clamp.
2. Remove blade and rotate to new edge.
3. Replace squeegee.
4. Replace clamp.



**Figure 41**

**Cleaning the Vacuum Hoses**

Make sure the squeegee is over a suitable drain.

1. Use a garden hose to flush through the recovery hoses.
2. Side Squeegee - Position garden hose to the squeegee side of the hose and flush thoroughly.
3. Recovery Hose - Position water hose inside recovery tank. Recovery hose is located behind threaded lip (see figure 41, A). **NOTE: Do not place hose in vacuum intake tube (see figure 41, B), damage will occur.**

**HOW TO CORRECT PROBLEMS IN THE MACHINE**

PROBLEM	CAUSE	ACTION
<p><b>Insufficient water onto the brushes</b></p>	<p>The solution flow is not set</p> <p>There is no water in the solution tank.</p> <p>The solution filter is dirty.</p> <p>A circuit breaker has tripped.</p> <p>Insufficient flow.</p>	<p>Make sure the solution flow is set.</p> <p>Fill the solution tank.</p> <p>Clean the solution filter.</p> <p>Reset the circuit breaker.</p> <p>Increase flow with solution switch.</p>
<p><b>The machine does not clean satisfactorily</b></p>	<p>The brushes are worn.</p> <p>Need to use a different kind of brush/pad</p>	<p>Check the brushes and replace if necessary. (the brushes have to be replaced when the bristles reach approximately .59 inches (15mm height.)</p> <p>Use a different kind of brush. For cleaning operations on floors where the dirt proves to be particularly resistant, we recommend using special brushes. See Accessories page.</p>
<p><b>The squeegee does not dry the floor</b></p>	<p>The squeegee is dirty.</p> <p>Recovery drain hose is not closed.</p> <p>The suction hoses need to be cleaned.</p> <p>The squeegee blades are worn.</p> <p>The recovery tank is full.</p>	<p>Clean the squeegee.</p> <p>Close the drain plug.</p> <p>Clean the vacuum hoses. See "Routine Maintenance" section.</p> <p>Replace/ or rotate the squeegee blades. See "Routine Maintenance" section.</p> <p>Drain recovery tank.</p>
<p><b>The vacuum motor does not function</b></p>	<p>The squeegee up/down switch is not in the low or middle position.</p>	<p>Put the squeegee in the low or middle position or reprogram "one touch".</p>
<p><b>The machine does not start</b></p>	<p>The operator is not properly seated.</p> <p>The key is not in the "ON position".</p> <p>The charger is still connected.</p> <p>The batteries are not charged or not connected properly.</p> <p>The circuit breaker has tripped.</p>	<p>The operator must be properly seated in the driving position.</p> <p>Turn the key to the "ON" position.</p> <p>Remove the A/C cord from the wall.</p> <p>Check to make sure the batteries are connected properly and charge if necessary.</p> <p>Reset the circuit breaker.</p>
<p><b>The brush motors do not work</b>  <b>WARNING: To avoid damage to the floor, the motor starts only when the machine is traversing.</b></p>	<p>The brush head unit is not down.</p> <p>The batteries are not charged or not connected properly.</p> <p>Poor electrical connection at the brush head unit.</p>	<p>Put the brush head unit down.</p> <p>Check to make sure the batteries are connected properly and charge if necessary.</p> <p>Connect the electrical connection at the brush head unit.</p>

## FOCUS Rider Scrubber Common Error Codes

<b>ERROR CODE</b>	<b>CAUSE</b>	<b>ACTION</b>
1500 1501 1507	Check brake and wiring for short circuit.	Make sure manual override is not engaged.
1600	High battery voltage.	Poor or corroded connection to the battery.
3100 3101 3102 3103 3104 3105	Probable short circuit of output device.	Check the traction, brush and vac motor connections on the trio and check wiring from these connectors down to the traction, brush and vac motors.
7600	Open circuit on brush motors or brush motor wiring.	Check the brush motor connection on the trio and check the wiring from this connector down to the brush motor.
7603	Possible short circuit on brush motors or wiring.	
7700	Open circuit on vacuum motor	Check connector to trio and vacuum motor
7800	Open circuit on traction motor.	Check the traction motor connection on trio and wiring down to motor.
7802	Traction motor current has exceeded current limit for the fold back time.	Excessive driving up an incline, or machine driven up against an obstacle or step.
9000	Brushes not fitted.	Place brushes or pads onto machine.
2F01	Drive system activated prior to turning key switch "ON".	Release traverse switch and reactivate.



**LEA ESTE MANUAL**




Este manual contiene información importante acerca del uso y la seguridad de la máquina. Si no lee el manual antes de utilizar su máquina Clarke o de intentar realizar los procedimientos de reparación o mantenimiento de la misma, usted o el resto del personal podrían sufrir lesiones; asimismo, podrían producirse daños a la máquina o a otras propiedades. Antes de utilizar la máquina, es necesario recibir la capacitación adecuada en la operación de la misma. Si el operador de la máquina no sabe leer en inglés, explíquelo el manual exhaustivamente antes de que intente utilizarla.











Todas las indicaciones incluidas en este manual se ofrecen desde la posición del operador en la parte posterior de la máquina.


**Índice**


Instrucciones de seguridad para el operador .....	31
Introducción y especificaciones de la máquina .....	33
Símbolos utilizados en el modelo Focus .....	34
Pantalla del modelo Focus .....	35
Panel de control de la máquina .....	36
Controles de palanca .....	37
Controles y funciones de la máquina .....	37
Preparación de la máquina para el funcionamiento .....	38
Manipulación de la máquina embalada .....	38
Desembalaje de la máquina .....	38
Colocación de las baterías .....	38
Mantenimiento de las baterías.....	39
Carga de las baterías .....	40
Recarga de las baterías.....	40
Indicadores de nivel de carga de las baterías .....	41
Colocación de la escobilla de goma .....	41
Ajuste de la escobilla de goma .....	41
Método para cambiar orotar los cepillos en el cepillo cilíndrico cabezal .....	42
Instalación de la cepillo o la almohadilla (BOOST).....	43
Para extraer el cepillo o la almohadilla (BOOST) .....	43
Operación de la máquina .....	44
Cambio de la operación de pulsación única por las configuraciones por omisión de fábrica .....	44
Desplazamiento de la máquina .....	44
Ajuste del asiento .....	44
Lectura del medidor de carga de la batería .....	45
Cambio de las pantallas de visualización en el módulo de imagen por cristal líquido .....	45
Lectura del indicador de falta de carga de solución .....	45
Lectura del indicador de depósito de recuperación lleno .....	45
Operación de la escobilla de goma y del motor de vacío .....	46
Operación del flujo de solución.....	46
Funcionamiento de la presión del cepillo.....	46
Delantero / Inverso .....	47
Llenado del depósito de solución .....	47
Operación de la máquina.....	47
Efectúe estos procedimientos al comienzo del período de trabajo .....	48
Limpieza de pisos .....	49
Limpieza de pisos muy sucios .....	50
Efectúe estos procedimientos al final del período de trabajo .....	50
Mantenimiento .....	52
Mantenimiento semanal.....	52
Inspección y limpieza de la batería.....	52
Limpieza del depósito de recuperación y del filtro.....	52
Limpieza del depósito de solución y del filtro .....	53
Drenaje manual del depósito de solución.....	53
Drenaje del depósito de solución asistido por vacío.....	53
Mantenimiento de la escobilla de goma .....	53
Reemplazo de la hoja de la escobilla de goma delantera .....	53
Reemplazo de la hoja de la escobilla de goma trasera .....	54
Mantenimiento de la escobilla de goma .....	54
Limpieza de las mangueras de vacía .....	54
Corrección de problemas de la máquina .....	55
Códigos de error comunes .....	56
<b>SECCIÓN II Repuestos y manual de servicio .....</b>	<b>85</b>


## INSTRUCCIONES DE SEGURIDAD PARA EL OPERADOR


-  **PELIGRO:** Si no se leen y cumplen todas las instrucciones que aparecen bajo el encabezado PELIGRO, se pueden producir lesiones personales graves e incluso la muerte. Lea y respete todas las indicaciones de PELIGRO que se encuentran en el manual de instrucciones y en la máquina.
-  **ADVERTENCIA:** Si no se leen y cumplen todas las instrucciones que aparecen bajo el encabezado ADVERTENCIA, usted o el resto del personal pueden sufrir lesiones; también pueden producirse daños a la propiedad. Lea y respete todas las indicaciones de ADVERTENCIA que se encuentran en el manual de instrucciones y en la máquina.
-  **PRECAUCIÓN:** Si no se leen y respetan todas las instrucciones que aparecen bajo el encabezado PRECAUCIÓN, pueden producirse daños en la máquina y en otras propiedades. Lea y respete todas las indicaciones de PRECAUCIÓN que se


-  **PELIGRO:** Usted o el resto del personal pueden sufrir lesiones si no leen el manual de instrucciones antes de operar, intentar reparar, o realizar mantenimiento a su máquina Clarke. Asimismo, pueden producirse daños a la máquina o a otras propiedades. Antes de utilizar la máquina, usted debe haber recibido capacitación adecuada en la operación de la misma. Si el operador de la máquina no sabe leer en inglés, explíquelo el manual exhaustivamente antes de que intente utilizarla.
-  **PELIGRO:** Si se opera una máquina que no se encuentra completa o totalmente ensamblada es posible que usted o el resto del personal sufran lesiones o que se produzcan daños a la propiedad. No haga funcionar la máquina si no está completamente ensamblada. Inspeccione cuidadosamente la máquina antes de operarla. Ponga la máquina en funcionamiento sólo después de haber cerrado bien las tapas, las puertas y los paneles de acceso.
-  **PELIGRO:** Las máquinas pueden causar una explosión si se operan cerca de materiales y vapores inflamables. No utilice la máquina con combustibles, polvo de cereales, solventes, diluyentes u otros materiales inflamables ni cerca de ellos. Esta máquina no es adecuada para la recolección de polvos peligrosos ni de materiales inflamables. Utilice solamente las ceras para pisos disponibles en el mercado diseñadas para el funcionamiento de la máquina. **NO** coloque gasolina ni materiales combustibles o inflamables en el depósito de solución ni en el de recuperación.
-  **PELIGRO:** Las baterías de plomo generan gases, los cuales pueden causar una explosión. Mantenga las chispas y las llamas lejos de las baterías. No fume cerca de la máquina. Cambie las baterías solamente en áreas con buena ventilación.
-  **PELIGRO:** ¡El trabajo con baterías puede resultar peligroso! Siempre utilice protección ocular y ropa de protección cuando trabaje cerca de baterías. Sáquese todas las joyas. No coloque herramientas ni otros objetos metálicos encima de los bornes de las baterías o de las partes superiores de las mismas.
-  **PELIGRO:** El uso del cargador con un cable de alimentación dañado puede producir una electrocución. No utilice el cargador si el cable de alimentación está dañado.
-  **ADVERTENCIA:** No haga girar la máquina en una rampa. No la utilice en superficies con una pendiente superior a la marcada en el artefacto.
-  **ADVERTENCIA:** Las máquinas pueden volcar y causar lesiones o daños si se las conduce por bordes de escalones o de muelles de carga. Detenga la máquina y déjela solamente en superficies uniformes. Cuando detenga la máquina coloque todos los interruptores en la posición "OFF" (apagado). Coloque el interruptor de llave en la posición "OFF" (apagado) y saque la llave.
-  **ADVERTENCIA:** Se pueden producir deslizamientos cuando la máquina se desplaza a alta velocidad y cuando se realizan giros bruscos, especialmente en superficies húmedas.
-  **ADVERTENCIA:** No mueva la máquina con un elevador de horquilla. Se podría dañar la máquina.


 **ADVERTENCIA:** El mantenimiento y las reparaciones realizados por personal no autorizado podrían producir daños o lesiones. El mantenimiento y las reparaciones solo deben ser llevados a cabo por personal autorizado de Clarke.


 **ADVERTENCIA:** Todas las alteraciones o modificaciones realizadas a esta máquina pueden producir daños a la misma o lesiones al operador o a otras personas que se encuentren en el lugar. Las alteraciones o modificaciones no autorizadas por el fabricante anulan todas las garantías y responsabilidades.


 **ADVERTENCIA:** Los componentes eléctricos de esta máquina pueden producir un cortocircuito si se los expone al agua o a la humedad. Mantenga secos los componentes eléctricos de la máquina. Limpie la máquina después de cada uso. Este artefacto está diseñado sólo para su uso en seco y no se lo debe utilizar ni almacenar al aire libre en lugares húmedos. Almacene la máquina en un lugar cubierto.


 **ADVERTENCIA:** La operación de una máquina sin respetar todas las etiquetas e instrucciones puede producir lesiones o daños. Lea todas las etiquetas de la máquina antes de intentar operarla. Compruebe que todas las etiquetas y las instrucciones se encuentren unidas o ajustadas a la máquina. No las cubra por ningún motivo. Si se pierden o dañan etiquetas o calcomanías, obtenga las de reemplazo de inmediato a través de su distribuidor de Clarke.


 **ADVERTENCIA:** Si la superficie del piso está húmeda puede resultar resbalosa. Las soluciones de agua o los materiales de limpieza que se utilizan con este tipo de máquina pueden dejar zonas mojadas en el piso. Estas áreas pueden resultar peligrosas para el operador o para otras personas. Coloque siempre avisos de "Precaución" alrededor y cerca del área que esté limpiando.

 **ADVERTENCIA:** La descarga inapropiada de aguas residuales puede dañar el medio ambiente y ser ilegal. La Agencia de Protección Ambiental (EPA) de los Estados Unidos ha establecido determinadas reglamentaciones relacionadas con la descarga de aguas residuales. Las reglamentaciones locales, estatales y nacionales relacionadas con esta descarga también pueden estar vigentes en su zona. Comprenda y respete las reglamentaciones de su zona. Sea consciente de los riesgos para el medio ambiente de los productos químicos que usted elimina.

 **ADVERTENCIA:** Utilice solamente los cepillos provistos junto con el artefacto o los especificados en el manual de instrucciones. El uso de otro tipo de cepillos puede afectar la seguridad.

 **PRECAUCIÓN:** Si utiliza esta máquina para desplazar otros objetos o para subirse a la misma se pueden producir lesiones o daños. No utilice esta máquina como escalera ni como mueble.

 **PRECAUCIÓN:** Si no utiliza los repuestos originales de Clarke la garantía de la máquina se anulará. Utilice siempre repuestos de Clarke.

 **PRECAUCIÓN:** Esta máquina incluye baterías de plomo. Se debe disponer de estas baterías de manera adecuada para la protección del medio ambiente.

 **ADVERTENCIA: REGLAS GENERALES DE SEGURIDAD**

Se deben seguir cuidadosamente las siguientes reglas para evitar lesiones al operador y daños a la máquina:

- Durante la operación de esta máquina debe prestar atención a las otras personas que se encuentre cerca, especialmente si se trata de niños.
- Tenga cuidado al retroceder con la máquina en espacios reducidos.
- No mezcle diferentes clases de detergentes. Evite los olores nocivos.
- No coloque recipientes con líquidos sobre la máquina.
- La temperatura recomendada para el funcionamiento debe ser de entre 32° F y 104° F.
- La humedad para el funcionamiento de esta máquina debe ser de entre 30 y 95%.
- No utilice soluciones ácidas que puedan dañar la máquina.
- Para no dañar el piso no deje los cepillos en funcionamiento cuando la máquina está detenida.
- En caso de incendio use un extinguidor de polvo. No utilice agua.
- No golpee estantes ni andamios cuando existe el riesgo de hacer caer objetos.
- Adapte la velocidad de uso según las condiciones de adhesión.
- No exceda la capacidad de ascenso declarada de lo contrario la máquina puede volverse inestable.
- Para todas las tareas de mantenimiento desconecte la alimentación de corriente de la máquina.
- No desensamble las piezas que requieran del uso de una herramienta para su extracción.
- No lave la máquina con chorros de agua directos o con presión de agua elevada ni con materiales corrosivos.
- Haga que el personal del servicio técnico autorizado revise la máquina cada 200 horas de funcionamiento.



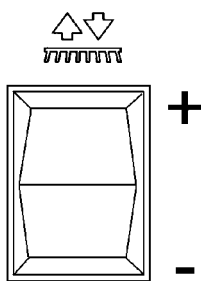
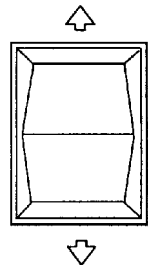
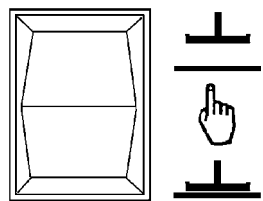
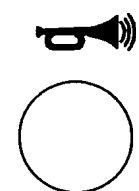
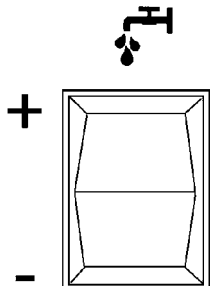
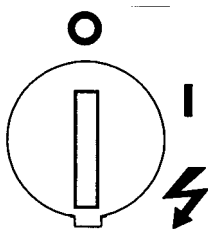
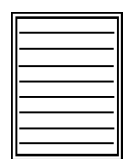
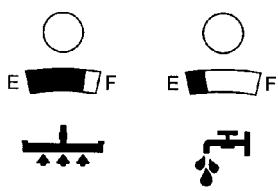
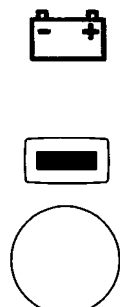
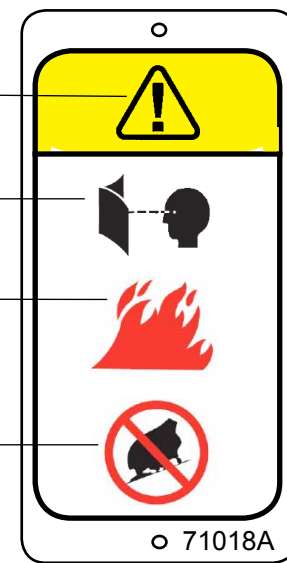
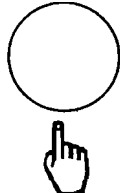

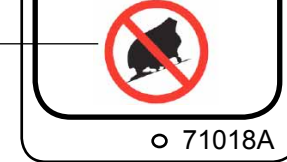
## Introducción y especificaciones de la máquina

Esta máquina de limpiar pisos utiliza la acción abrasiva mecánica de cepillos giratorios o de almohadillas y la acción química de una solución de agua y detergente para limpiar todo tipo de pisos. Durante el movimiento de avance recoge la suciedad removida y la solución de detergente no absorbida por el piso.

Modelo	Disco de 28"	Disco de 34"	Disco de 28" cilíndrico	Orbital Boost® de 32"
Número de pieza	00310S, 00310C	00311S, 00311C	00312S, 00312C	00317S, 00317C
Ancho de limpieza	28" (71,1 cm)	34" (86,4 cm)	28" (71,1 cm)	32" (81,3 cm)
Fuente de alimentación	Sistema de 36 voltios que usa (6) baterías de 6 voltios, de ciclo profundo, de 250, 330 ó 370 AH			
Cargador de batería	Cargador inteligente totalmente automático incorporado, 115V 60 Hz			
Motores de cepillos	(1) 2 hp (1,5 kW) para propulsar dos cajas de engranajes en ángulo recto	(1) 2,5 hp (1,9 kW) para propulsar dos cajas de engranajes en ángulo recto	(2) 0,75 hp (0,56 kW)	(1) 0,75 hp (0,56 kW)
Tamaño de los cepillos/velocidad	(2) 14" (36 cm) 300 RPM	(2) 17" (43 cm) 300 RPM	(2) 6 x 28" (15,2 x 71,1 cm) 750 RPM	(1) 14 x 32" (35,6 x 81,3 cm) 2250 RPM
Presión de los cepillos	12 -225 lbs. (57-102 kg)		90-130 lbs. (41-59 kg)	115-155 lbs. (52-70 kg)
Velocidad de desplazamiento (máxima)	4,1 mph (6,6 kph)			
Desplazamiento	1.5 hp (1.1 kW) potencia de transeje para propulsar dos ruedas traseras de 10" (25,4 cm) de diámetro			
Limpieza en pendiente	6 grados			
Motor de aspiración	1 hp (.75 kW) descarga tangencial 3 etapas			
Nivel de ruido	70 dBA			
Depósito de solución	30 galones (113 litros)			
Depósito de recuperación	30 galones (113 litros)			
Longitud	65" (165 cm)			
Ancho	33" (84 cm)	35,5" (90 cm)	30" (130 cm)	33" (84 cm)
Altura	56" (142cm)			
Peso de la máquina, con baterías de 330 AH, llenos de solución	1478 lbs. (670 kg)	1498 lbs. (679 kg)	1498 lbs. (679 kg)	1488 lbs. (675 kg)
Garantía	8 años para los depósitos Polydur™, 1 año de mano de obra, 18 meses para las batería, en base prorrateada			

**⚠️ ADVERTENCIA:** Los Productos a la venta en este Manual contienen, o pueden contener, productos químicos reconocidos por algunos gobiernos (como el Estado de California, según lo indica en su Proposición 65, Ley de Advertencia Regulatoria) como causantes de cáncer, defectos de nacimiento u otros daños reproductivos. En algunas jurisdicciones (incluido el Estado de California), los compradores de estos Productos que los coloquen en servicio en un emplazamiento laboral o en un espacio de acceso público tienen la obligación regulatoria de realizar determinados avisos, advertencias o divulgaciones respecto de los productos químicos contenidos o posiblemente contenidos en los Productos utilizados en tal lugar. Es la responsabilidad del comprador conocer y cumplir con todas las leyes y reglamentaciones relacionadas con el uso de estos Productos en tales entornos. El Fabricante niega toda responsabilidad de informar a los compradores sobre requisitos específicos que pueden regir el uso de los Productos en tales entornos.

Símbolos usados en el modelo FOCUS fregadora de conductor a bordo

Cepillo Arriba/ Abajo		Interruptor Delantero / Inverso	
Escobilla de goma Arriba/ Abajo		Botón de la bocina	
Interruptor del flujo de solución		Interruptor On/Off (encendido/ apagado)	
Medidor de carga de la batería		DEL de Recuperación / Solución	
Botón de la pantalla de cristal líquido		<b>LEA BIEN EL MANUAL DEL USUARIO ANTES OPERAR EST MAQUINA.</b>	
Pulsación única		<b>PELIGRO DE INCENDIO</b> • Utilice solo productos de limpieza y ceras a la venta en comercios para uso con la maquina. • No utilice materiales inflamables.	
		<b>RIESGO DE LESIONES O DE DA- ÑOS A LA MAQUINA.</b> • No debe hacerse girar, detener o dejar la maquina en una rampa o muella.	

Pantallas de visualización para FOCUS fregadora de conductor a bordo

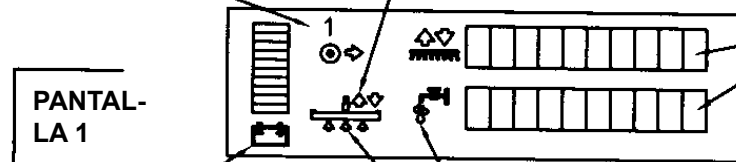
Indicador de la velocidad de desplazamiento

- 1 = baja 0-2 mph
- 2 = media 0-3 mph
- 3 = alta 0-4 mph

Flecha de posición que indica la posición actual de la escobilla de goma (arriba o abajo)

Los indicadores se encuentran encendidos mostrando los ajustes actuales.

Pantallas disponibles para el Operador



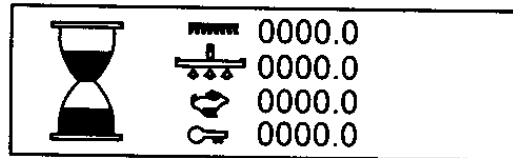
PANTALLA 1

El indicador "Battery" (batería) parpadea cuando se produce una caída del voltaje.

El "goteo" de agua está apagado cuando la solución está apagada y parpadea cuando la solución está encendida.

Flechas que indican el estado de aspiración. Parpadean cuando la aspiración está encendida y están apagadas cuando la aspiración está apagada.

PANTALLA 2



Ejemplo

PANTALLA 3 (Diagnóstico)



Sólo el diagnóstico. No aparece a menos que se produzca un fallo de la máquina. El icono y el código de error aparecen en pantalla cuando se produce el fallo.

**Panel de control de la máquina**

**Interruptor de llave On/Off (encendido/ apagado) (Consulte la figura 1, Elemento D)**

El interruptor de llave enciende el suministro de energía del panel de control. "O" representa "OFF" (apagado) y "I" es "ON" (encendido).

**Interruptor de cepillo Arriba /Abajo (Consulte la figura 1, Elemento A)**

Para bajar el cabezal del cepillo coloque el interruptor del cepillo en la posición abajo (+). Para bajar el cabezal del cepillo para la presión máxima del cepillo, siga sosteniendo el interruptor en la posición abajo (+) hasta que se detiene el desplazamiento. Los motores del cepillo arrancan y la solución fluye (siempre que la misma esté "ON" (encendida)) cuando la máquina comienza a desplazarse. Para levantar el cabezal del cepillo coloque el interruptor del cepillo en la posición arriba (-) hasta detener el desplazamiento del cabezal del cepillo o hasta alcanzar la posición deseada.

**Interruptor de escobilla de goma Arriba /Abajo (Consulte la figura 1, Elemento B)**

El interruptor de la escobilla de goma se utiliza para levantar y bajar la misma y para encender y apagar el motor de vacío. El motor de vacío se enciende cuando se coloca el interruptor en la posición media o baja. **NOTA: El motor de vacío se enciende cuando se coloca el interruptor de la escobilla de goma en la posición baja.**

Para levantar la escobilla de goma, coloque el interruptor en la posición media o arriba. La posición media se utiliza para el control de una sola pulsación. El motor de vacío se detiene, luego de una breve demora, cuando se coloca el interruptor en la posición arriba.

**Cuentavueltas calibrado en horas de trabajo (Consulte la figura 1, Elemento E)**

El cuentavueltas calibrado en horas de trabajo está ubicado en la pantalla delantera. Debe elegir las pantallas usando el botón de la pantalla de cristal líquido. El cuentavueltas calibrado en horas de trabajo indica el número de horas que ha funcionado la máquina. Presenta las horas de trabajo del motor del cepillo, del motor de vacío, del motor de desplazamiento y de todas las teclas.

**Medidor de carga de la batería (Consulte la figura 1, Elemento F)**

El medidor de carga de la batería indica la carga relativa del paquete de baterías. El medidor de carga de la batería está ubicado en la pantalla 1 en la pantalla delantera. Consulte la página 7.

**Control de flujo de solución (Consulte la figura 1, Elemento C)**

El interruptor del flujo de solución regula el flujo de solución química hasta el piso. Para incrementar el flujo elija (+). Para reducir el flujo elija (-). Para cerrar la solución elija - hasta que no aparezca ningún indicador en la pantalla.

**NOTA: ¡NO opere la máquina en seco!**

**NOTA: La solución sólo fluirá cuando la máquina esté en movimiento.**

**Disyuntores**

Los botones de reposición del disyuntor están ubicados en la parte posterior de la cubierta delantera debajo de la pantalla delantera. Los disyuntores son los siguientes:

Elemento A - Principal (5 amperes)

Elemento B - Interruptor de llave (5 amperes)

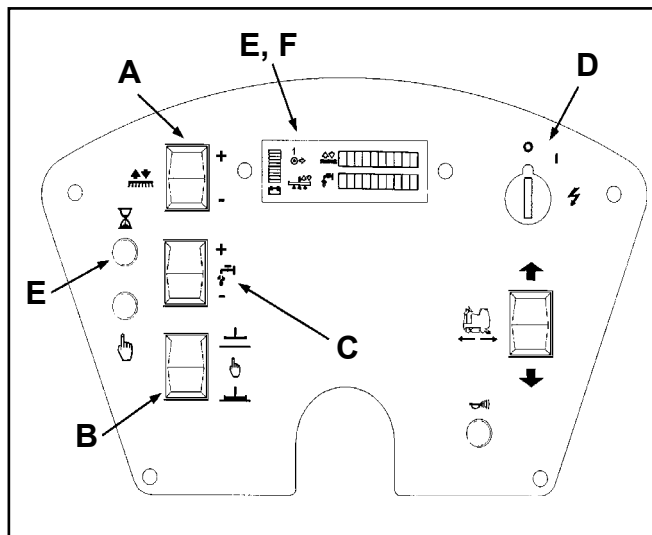


Figura 1

## Controles y funciones de la máquina

### Flotador del depósito de recuperación

La fregadora FOCUS de conductor a bordo está equipada con un flotador que cierra el vacío cuando el depósito de recuperación se encuentra lleno. La escobilla de goma no recoge más agua. Si esto sucede levante la escobilla de goma y vacíe el depósito de recuperación.

### El desplazamiento

La fregadora FOCUS de conductor a bordo está equipada con un sistema de desplazamiento controlado electrónicamente que dispone de velocidades variables tanto en marcha adelante como en reversa.

1. Para desplazar la máquina, se debe encender el suministro de energía que va a la máquina usando el interruptor de llave y el operador debe estar sentado adecuadamente.
2. La velocidad de desplazamiento se pueden ajustar variando la presión del pedal de pie.

**NOTA:** Durante el movimiento en reversa, se levanta la escobilla de goma y se detiene automáticamente el flujo de solución. La reversa también reduce la velocidad máxima de desplazamiento.

### Frenos

La máquina está equipada con un sistema de frenado eléctrico. El frenado electrónico se activa automáticamente. **NOTA:** Durante la capacitación debe permitir que la máquina se detenga totalmente hasta que se familiarice con las distancias requeridas para detenerla.

### Freno de estacionamiento

El freno de estacionamiento se activa automáticamente cuando la máquina se detiene. Se desengrana automáticamente cuando comienza el desplazamiento. El transeje está equipado con una recuperación de freno manual. **NOTA:** La máquina no funciona cuando se engrana la recuperación de freno manual. Consulte la Figura 2.

### Alarma de la reversa

La alarma de la reversa suena de forma intermitente y automática cuando la máquina está en reversa.

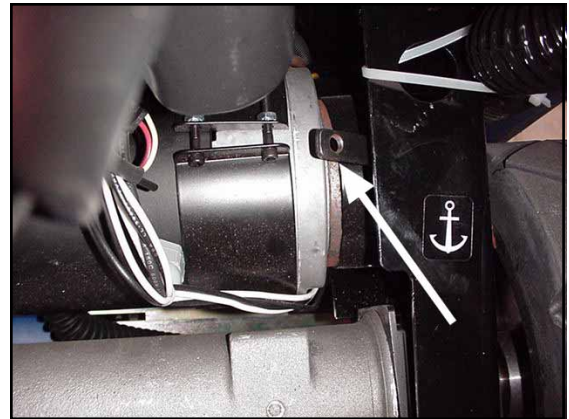


Figura 2

**Preparación de la máquina para su funcionamiento**

Manipulación de la máquina embalada

La máquina viene con un embalaje específico provisto en una bandeja de carga de manera que se la pueda mover con un elevador de horquilla.

**⚠ ADVERTENCIA:** Los embalajes no se pueden apilar unos sobre los otros.

Desembalaje de la máquina

1. Saque el embalaje exterior.
2. La máquina está sujeta a la bandeja de carga mediante tiras de sujeción y bloques de madera para evitar que se mueva durante el envío. Retire las tiras y los bloques.
3. La máquina se envía con las baterías ya instaladas.
4. Saque las abrazaderas de alineación.
5. Baje la rampa. Es posible sacar la máquina de la bandeja de carga si el operador está exhaustivamente familiarizado con su funcionamiento. Evite los golpes violentos a la unidad base.
6. Guarde la bandeja de carga por si resulta necesario transportar la máquina en el futuro.

Colocación de las baterías

**⚠ ADVERTENCIA:** Las baterías son pesadas. Si levanta las baterías sin ayuda puede lesionarse. Solicite ayuda para levantar las baterías.

**⚠ ADVERTENCIA:** El trabajo con baterías puede resultar peligroso. Siempre utilice protección ocular y ropa de protección cuando trabaje cerca de baterías. ¡PROHIBIDO FUMAR!

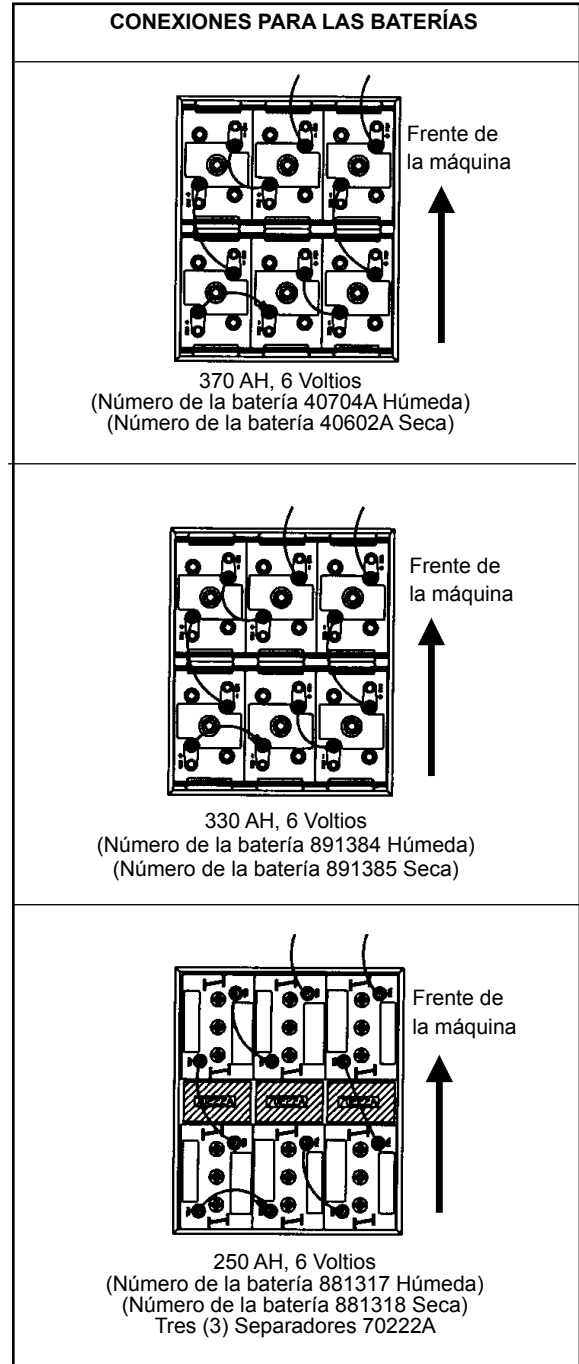
**⚠ ADVERTENCIA:** Durante la operación de carga se forma gas hidrógeno y es explosivo. Sólo cargue las baterías en una zona bien ventilada con la base del asiento levantada.

Las baterías se colocan en el compartimiento para las mismas que está ubicado debajo del asiento y del depósito de recuperación (figura 3). La máquina utiliza seis baterías de 6 voltios. Se deben manipular utilizando el equipo adecuado para levantarlas según el peso y el sistema de acoplamiento. Para el mantenimiento y la recarga diaria de las baterías es necesario seguir todas las instrucciones provistas por el fabricante.

Para la instalación de las baterías siga estos pasos (Consulte la figura 3):

1. Asegúrese de que el interruptor de llave se encuentra en la posición "OFF" (apagado).
2. Levante y gire hacia adelante el soporte de la base del asiento.
3. Apoye el asiento sobre su cable de sujeción.
4. Levante el frente del depósito de recuperación y gírelo hacia la parte trasera hasta que descansa sobre su cable de sujeción.
5. Coloque las baterías en su lugar y conecte sus cables como se indica en la figura 3.
6. Gire el tanque de recuperación y después gírelo cuidadosamente hacia adelante hasta la posición de funcionamiento normal.
7. Baje el apoyo de la base del asiento.

**NOTA:** Cargue las baterías antes del uso.



**Figura 3**

**Preparación de la máquina para su funcionamiento**

**Mantenimiento de las baterías**

La energía eléctrica para operar la máquina proviene de las baterías de acumuladores. Las baterías de acumuladores necesitan un mantenimiento preventivo.

**⚠️ ADVERTENCIA:** El trabajo con baterías puede resultar peligroso. Siempre utilice protección ocular y ropa de protección cuando trabaje cerca de baterías. **¡PROHIBIDO FUMAR!**

Para mantener las baterías en buen estado siga estas instrucciones:

1. Mantenga el electrolito al nivel correcto. El nivel correcto se encuentra entre 1/4" (1/2 cm) por debajo del fondo del tubo en cada elemento y por encima de las partes superiores de las placas. Verifique el nivel del electrolito cada vez que cargue las baterías (consulte la figura 4).

**NOTA:** Verifique el nivel del electrolito antes de cargar las baterías. Antes de realizar la carga asegúrese de que las placas en cada elemento estén cubiertas con electrolito. No cubra por completo los elementos antes de cargar la batería. El electrolito se expande durante la carga. Como resultado de ello, el electrolito podría desbordarse de los elementos. Cubra siempre los elementos con agua destilada después de la carga.

**⚠️ PRECAUCIÓN:** Si el electrolito no cubre las placas, las baterías sufrirán un daño irreversible. Mantenga el electrolito al nivel correcto.

**⚠️ PRECAUCIÓN:** La máquina se puede dañar y las partes superiores de las baterías pueden descargarse si se llenan las baterías de forma excesiva. No llene las baterías hasta el fondo del tubo en cada elemento. Limpie cualquier resto de ácido de la máquina o de las partes superiores de las baterías. Nunca agregue ácido a una batería después de la instalación.

**⚠️ PRECAUCIÓN:** Sólo se debe recargar las baterías con agua destilada. No utilice agua de la canilla ya que puede contener agentes contaminantes que dañan las baterías.

2. Mantenga las partes superiores de las baterías limpias y secas. Mantenga los bornes y conectores limpios. Para limpiar la parte superior de las baterías, utilice un trapo mojado con una solución aguada de amoníaco o solución de bicarbonato de sodio. Para limpiar los bornes y conectores, utilice una herramienta de limpieza para bornes y conectores. No permita que el amoníaco o el bicarbonato de sodio ingresen a las baterías.
3. Mantenga las baterías cargadas.

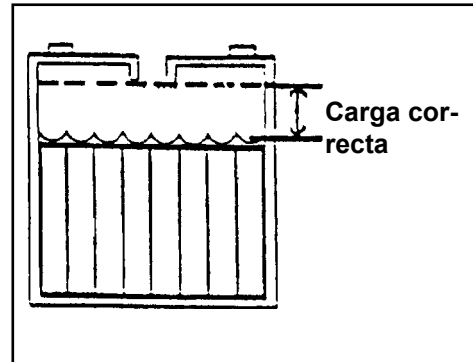


Figura 4

**Preparación de la máquina para su funcionamiento**

**Carga de las baterías**

**⚠️ ADVERTENCIA:** La carga de las baterías en una zona sin ventilación adecuada puede producir una explosión. Para evitar una explosión cargue las baterías solamente en áreas con buena ventilación.

**⚠️ ADVERTENCIA:** Las baterías de plomo generan gases que pueden causar una explosión. Mantenga las chispas y las llamas lejos de las baterías. **¡PROHIBIDO FUMAR!**

**⚠️ PRECAUCIÓN:** Consulte el manual de usuario del cargador. Todos los cargadores de baterías incorporados se programan para un tipo específico de batería. El cargador puede tener que ser reprogramado para cargar correctamente baterías de reemplazo diferentes a las originalmente equipadas por Clarke.

**NOTA:** Solo reemplace baterías con el paquete de baterías idéntico de Clarke como venía originalmente equipado. El número de parte de la batería correcta de Clarke puede encontrarse en la etiqueta de la batería de Clarke anexada a la parte superior de cada batería.

Si la batería de reemplazo es una batería diferente de Clarke, por favor contacte al Servicio Técnico de Clarke al número 800-356-7274 para recibir más instrucciones.

Si la batería de reemplazo no es una batería de Clarke por favor contacte al fabricante del cargador para recibir instrucciones.

Para cargar las baterías siga este procedimiento:

1. Asegúrese de que el interruptor de llave se encuentra en la posición "OFF" (apagado).
2. Levante el apoyo de la base del asiento.
3. Conecte el cable de C.A. del cargador de la batería a un receptáculo de pared de 15 amperes (mín.) 120V debidamente conectado a tierra.
4. Observe la luz indicadora para comprobar que el proceso de carga ha comenzado (consulte la figura 5, A - Rojo, B - Amarillo, C - Verde). Para las indicaciones de color consulte la figura 6.

**Recarga de las baterías**

La fregadora Focus de conductor a bordo viene provista con un cargador incorporado.

1. Enchufe la máquina a cualquier enchufe de pared y la carga es automática.
2. Observe la luz indicadora para comprobar que el proceso de carga ha comenzado (consulte la figura 5, A - Rojo, B - Amarillo, C - Verde). Para las indicaciones de color consulte la figura 6.

**NOTA:** Compruebe que el circuito en el que desea enchufarla no esté cargado con otros equipos. Los interruptores de pared pueden activarse y no se producirá la carga.

**⚠️ ADVERTENCIA:** Nunca cargue una batería de GEL con un cargador de batería inadecuado. Siga cuidadosamente las instrucciones provistas por el fabricante de las baterías y del cargador de baterías.

**NOTA:** Para evitar que las baterías se dañen de forma permanente evite que se descarguen por completo. Nunca deje las baterías completamente descargadas aún cuando la máquina no se use. Cuando recargue las baterías mantenga levantado el soporte de la base del asiento. Cada 20 operaciones de recarga, verifique e nivel de electrolito y de ser necesario cubra por completo con agua destilada.

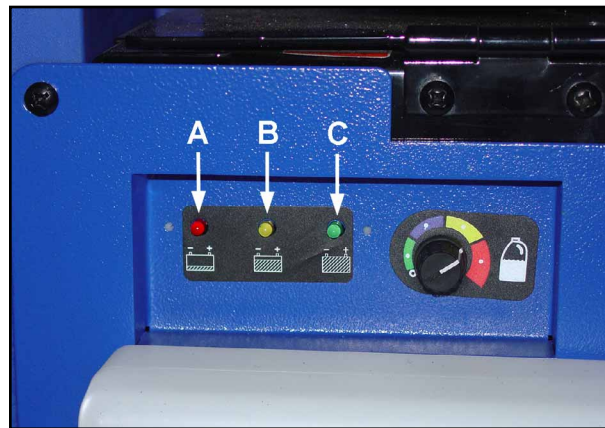


Figura 5

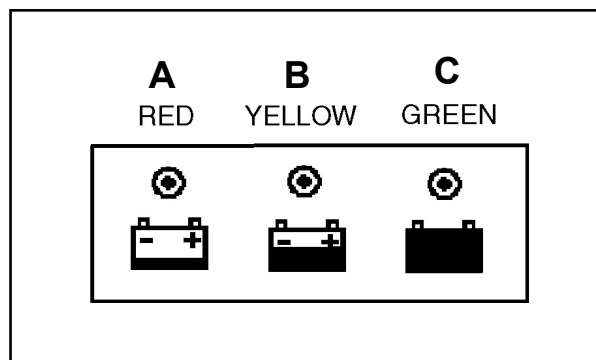


Figura 6



## Preparación de la máquina para su funcionamiento

### Indicadores de nivel para la carga de las baterías

El medidor de carga de la batería ( consulte la figura 7) del panel de control tiene una lectura digital con 10 posiciones fijas (A) y además un indicador parpadeante (B). Las barras que aparecen en la pantalla indican el nivel de carga aproximado con el ícono (parpadeante) de batería descargada.

**NOTA:** A Unos segundos después de que la lectura del voltaje sea de 32V comienza a parpadear. Los motores de los cepillos se apagan entonces automáticamente.

### Colocación de la escobilla de goma

Para colocar la escobilla de goma en la máquina siga este procedimiento:

1. El montaje de la escobilla de goma tiene una función de separación que se utiliza también para el montaje de la escobilla de goma. Afloje las perillas de la escobilla de goma (figura 8). Deslice el pasador dentro del agujero con ranuras ubicado en el bastidor de apoyo de la máquina.
2. Ajuste el borde de la manguera de aspiración al accesorio de la manguera de la escobilla de goma (consulte la figura 9).
3. Ajuste las perillas. **NOTA: No realice un ajuste excesivo sino la función de separación se pierde y se producen daños.**

**NOTA:** Para evitar daños a la escobilla de goma o a la máquina, la escobilla de goma se diseñó para que se separe de la máquina. Si se golpea la escobilla de goma y se separa de la máquina, sólo debe reinstalarla siguiendo los pasos 1-3.

### Ajuste de la escobilla de goma

Durante la operación, la hoja de la escobilla de goma trasera debe tener un ancho constante de como mínimo 3/16" a lo largo de toda la hoja de la escobilla de goma (consulte la figura 10).

1. El cuerpo de la escobilla de goma se puede inclinar para ajustar el ancho de la hoja de la escobilla de goma en el medio para que se ajuste al ancho de los extremos. Para ajustar la inclinación, afloje el perno de ajuste ubicado en los costados izquierdo y derecho de la escobilla de goma (consulte la figura 9).
2. Oprima la escobilla hacia abajo hasta que ambos juegos de ruedas de guía toquen el piso.
3. Luego de realizar los ajustes, vuelva a ajustar los tornillos.

**NOTA:** Es importante que las ruedas derecha e izquierda estén en contacto con el piso para que la escobilla de goma pueda trabajar.

**NOTA:** A medida que se gasta la hoja de la escobilla de goma trasera, se la puede girar y/ o dar vuelta para obtener cuatro bordes buenos antes de tener que cambiar las hojas.

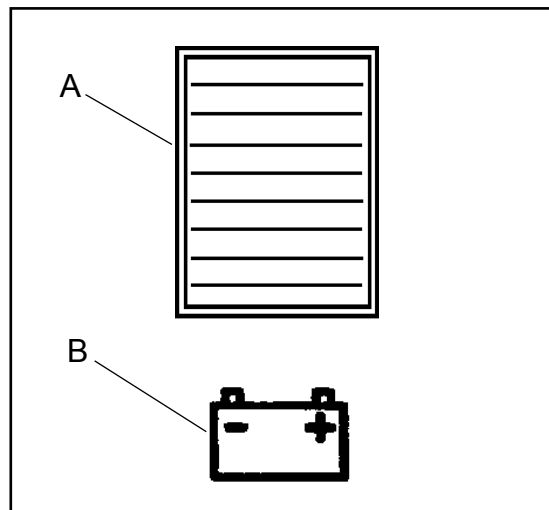


Figura 7

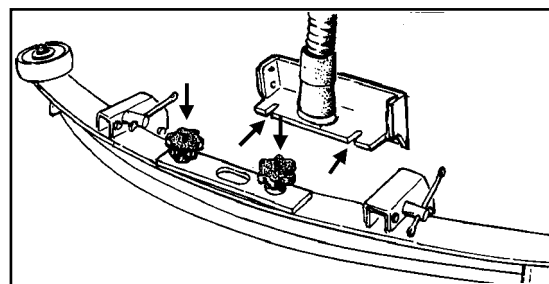


Figura 8

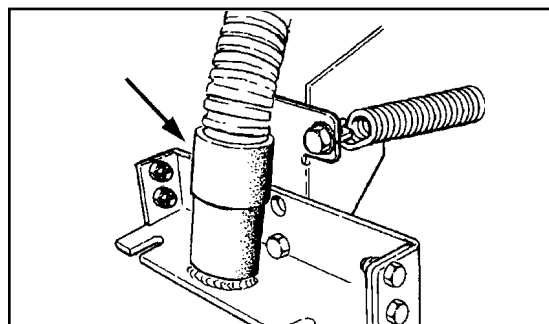


Figura 9

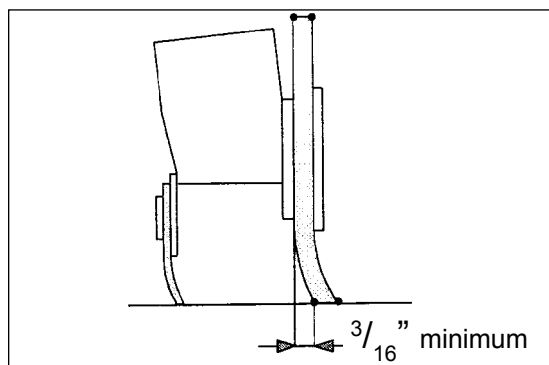


Figura 10

**Preparación de la máquina para su funcionamiento**

Método para cambiar o rotar los cepillos en el cepillo cilíndrico cabezal

Para instalar o rotar cepillos en el cabezal del cepillo cilíndrico:

1. Eleve la plataforma del cepillo y gire el interruptor de llave a "OFF" (APAGADO).
2. Eleve el faldón del cepillo y tire hacia afuera para extraer. Consulte la figura 11.
3. Saque el tornillo de botón de la puerta del cepillo. Consulte la figura 12.
4. Baje la puerta aproximadamente 1/2 pulgada y deslice la puerta y el montaje del cubo desde el cepillo. Consulte la figura 13.
5. Deslice el cepillo fuera del cubo en el extremo opuesto. Consulte la figura 14.
6. Gire el cepillo o reemplace.
7. Deslice el cepillo sobre el cubo de accionamiento e inserte la puerta y montaje de cubo dentro del núcleo del cepillo.
8. Eleve la puerta e instale el tornillo de botón.
9. Coloque el faldón lateral sobre las clavijas de retención y baje colocando en su lugar.
10. Los cepillos deberán rotarse después de cada 20 horas de uso.

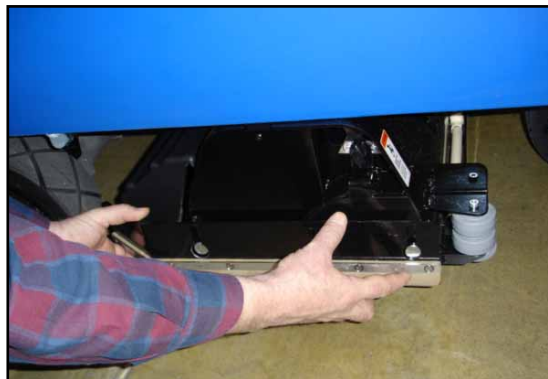


Figura 11



Figura 12



Figura 13



Figura 14

## PREPARACIÓN DE LA MÁQUINA PARA EL FUNCIONAMIENTO

### Instalación de la cepillo o la almohadilla (BOOST™)

Para instalar el cepillo o la almohadilla en la máquina, siga este procedimiento:

1. Gire el interruptor de llave hasta la posición "ON" (encendido).
2. Sitúe el interruptor del cepillo en la posición "UP" (arriba).
3. Gire el interruptor de llave hasta la posición "OFF" (apagado).
4. Diríjase a la parte lado de la máquina.
5. Presione sobre un cepillo o una almohadilla debajo de las placas flexibles. Ver figura 15.

NOTA: Cuando se utiliza una almohadilla negra, posicione la almohadilla sobre el cabezal. Baje el cabezal y opere momentáneamente para fijar la almohadilla al impulsor de la almohadilla (si tiene dificultad, posicione la almohadilla sobre el piso y baje el cabezal, luego opere.)

### Para extraer el cepillo o la almohadilla (BOOST™)

Para extraer el cepillo o la almohadillas de la máquina, siga este procedimiento:

1. Gire el interruptor de llave hasta la posición "ON" (encendido).
2. Sitúe el interruptor del cepillo en la posición "UP" (arriba).
3. Gire el interruptor de llave hasta la posición "OFF" (apagado).
4. Diríjase a la parte lado de la máquina.
5. Tire del cepillo o de la almohadilla hacia abajo hasta que se suelte de las placas flexibles. Ver figura 16.

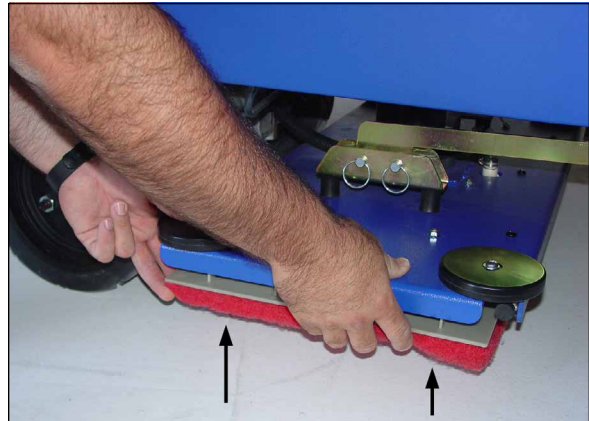


Figura 15

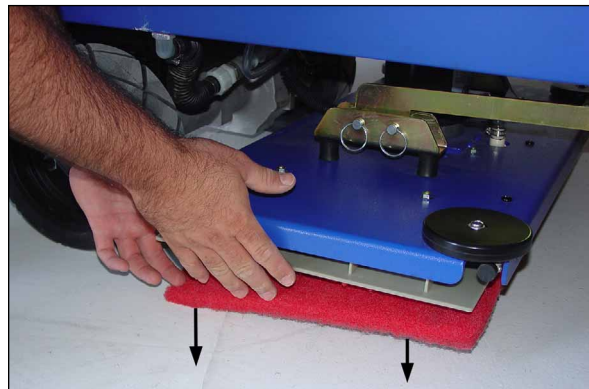


Figura 16

## Operación de la máquina

### Retorno de la operación de pulsación única a las configuraciones por omisión de fábrica

Para restablecer las configuraciones de fábrica, siga los procedimientos a continuación:

1. Oprima el botón verde de pulsación única (figura 17) y manténgalo así hasta que escuche un *tono doble* de la máquina. **NOTA: Esta operación demora aproximadamente 15 segundos.**
2. Las configuraciones deben volver a 2 barras de solución y 1 barra de presión del cepillo. **NOTA: El interruptor de aspiración de la escobilla de goma debe estar en la posición media para que funcionen las configuraciones por omisión.**

### Movimiento de la máquina sin energía eléctrica (consulte la figura 18)

1. Engrane la transferencia de mando manual del freno (consulte la página 37, "Freno de estacionamiento").
2. Saque la placa para pies y los 4 tornillos. Localice la conducción el motor.
3. Utilizando la perilla en la conducción el motor, gire el eje del motor en la dirección en que desea girar la máquina.
4. Empuje lentamente la máquina hacia la ubicación deseada. **NOTA: Si intenta empujar la máquina demasiado rápidamente se limitará la velocidad máxima. Si esto sucede, deténgase y vuelva a comenzar.**
5. Después de mover la máquina, desengrane la transferencia de mando manual del freno. **NOTA: La máquina no funciona cuando se engrana la transferencia de mando.**

### Ajuste del asiento (estándar)

El asiento estándar no se puede ajustar hacia adelante o hacia atrás.

### Ajuste del asiento (de lujo)

Es posible ajustar de tres maneras el asiento opcional de lujo:

1. Es posible ajustar el asiento en la posición hacia adelante /atrás mediante el uso de la palanca ubicada en el costado inferior derecho del asiento. Si mueve la palanca el asiento puede deslizarse hacia la posición elegida. Consulte la Figura 19.
2. Para ajustar el ángulo de la parte correspondiente al respaldo del asiento, gire la palanca ubicada en la posición media derecha del asiento. Si la gira en el sentido de las agujas del reloj el asiento queda más vertical. Si gira la perilla en sentido contrario a las agujas del reloj el respaldo se inclina hacia atrás. Consulte la Figura 20, A.
3. Para ajustar la suspensión del asiento para que le resulte más cómodo al operador, utilice la palanca ubicada en el costado del respaldo del asiento. La misma tiene tres posiciones. La posición ubicada más arriba es para los operadores livianos. La posición media es para los operadores de peso mediano. La posición inferior es para los operadores muy pesados. Consulte la figura 20, B. **NOTA: Para cambiar las posiciones se debe oprimir la palanca con firmeza.**

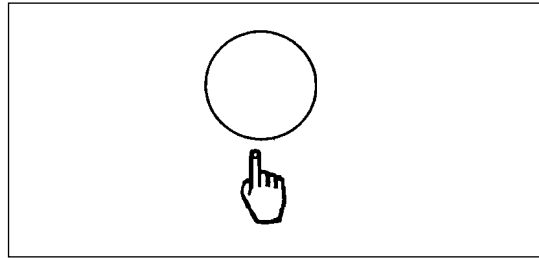


Figura 17

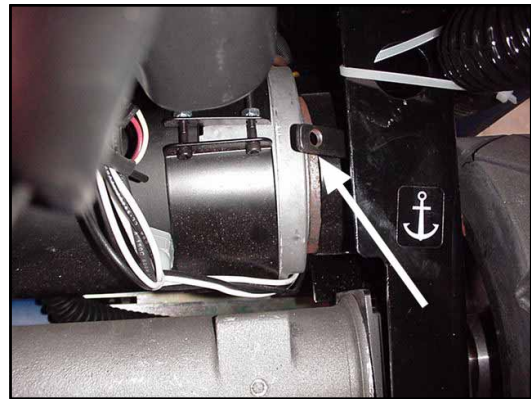


Figura 18

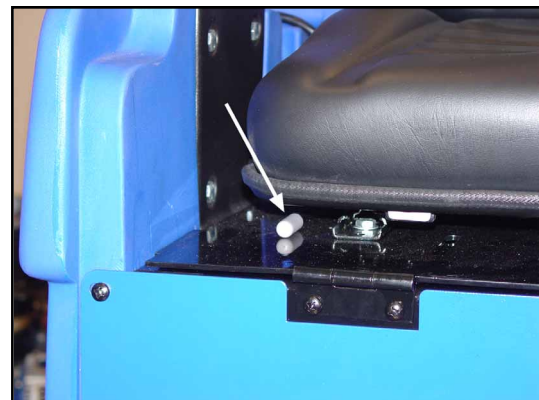


Figura 19

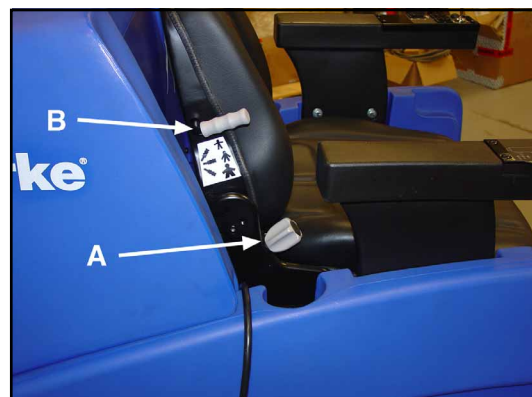


Figura 20

**Operación de la máquina**

**Lectura del medidor de carga de la batería (consulte la figura 21, A)**

El medidor de carga de la batería es un indicador ubicado en la pantalla de cristal líquido. Este indicador está en la pantalla de cristal líquido ubicada en la parte delantera de la máquina. Tiene 10 barras con 10 barras visibles que indican que la carga está completa. A medida que opere la máquina las barras comenzarán a bajar. El ícono de batería (B) comenzará a parpadear para indicarle que está llegando al final de la carga.

**NOTA:** Si sigue pasando los cepillos los mismos se apagarán para proteger las baterías de una descarga excesiva.

**NOTA:** El tiempo de funcionamiento varía según las variables de la máquina, el tamaño de la batería, la presión del cepillo y el tipo de piso, etc.

**Cambio de las pantallas de visualización en el módulo de imagen por cristal líquido**

La pantalla de cristal líquido tiene tres pantallas. Es posible acceder a dos de ellas en cualquier momento en que la tecla esté encendida. La primera pantalla indica el estado de la máquina y la segunda muestra los cuatro cuentavueltas calibrado en horas de trabajo (figura 21).

Es posible acceder a las dos pantallas que puede ver el operador mediante el botón de visualización (figura 22) ubicado en el panel de control hacia la izquierda del interruptor de llave. Al oprimir este botón elige la visualización entre las pantallas disponibles.

La tercer pantalla es sólo para diagnóstico. Esta pantalla presenta todos los errores que pueden presentarse o los problemas que detecta el diagnóstico del sistema. Cuando aparece la pantalla de diagnóstico, consulte la guía de solución de problemas por la medida correctiva adecuada para resolver el código de error.

**Lectura del indicador de falta de carga de solución (consulte la figura 23, A)**

El indicador de falta de carga de solución está ubicado en la parte delantera de la máquina debajo de la pantalla de cristal líquido. Cuando está por terminarse la carga de solución, el indicador comienza a parpadear advirtiéndole al operador que necesita realizar una recarga.

**NOTA:** El tiempo de duración de la solución varía según la configuración del flujo de solución.

**Lectura del indicador de depósito de recuperación lleno (consulte la figura 23, B)**

El indicador de depósito de recuperación lleno está ubicado en la parte delantera de la máquina debajo de la pantalla de cristal líquido. Cuando el depósito de recuperación se encuentra casi lleno, el indicador comienza a parpadear advirtiéndole al operador que necesita vaciarlo. Los motores de aspiración se apagan unos momentos después.

**NOTA:** El tiempo que demora en llenarse el depósito de recuperación varía según la configuración del flujo de solución y según el tipo de piso.

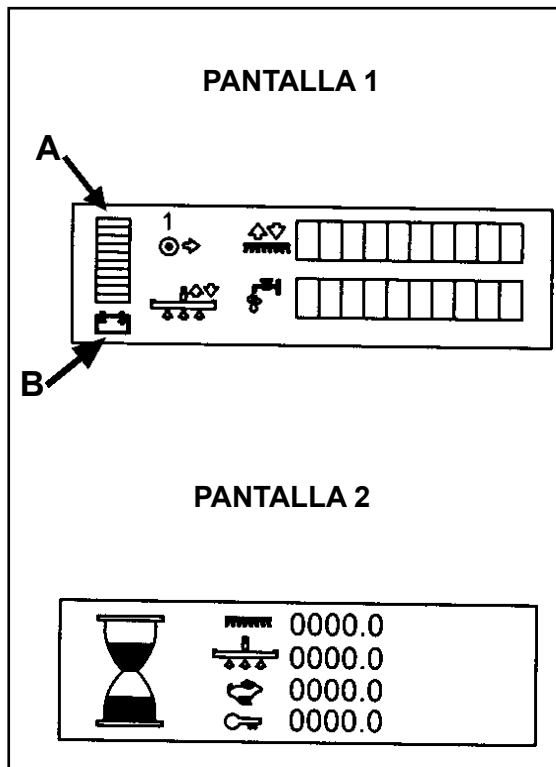


Figura 21

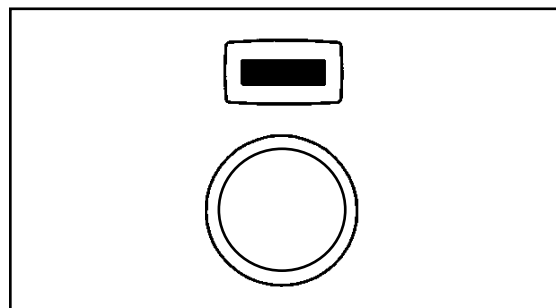


Figura 22

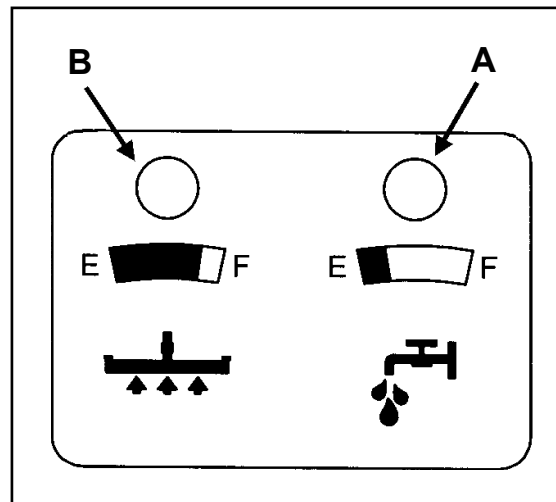


Figura 23

**Operación de la máquina**

**Operación de la escobilla de goma y del motor de vacío**

La escobilla de goma limpia el piso mientras el motor de vacío quita la solución sucia del piso. Para operar la escobilla de goma siga este procedimiento:

1. Para bajar la escobilla de goma y encender el motor de vacío, oprima el interruptor arriba/ abajo de la escobilla de goma hasta la posición abajo (figura 24). **NOTA: El motor de vacío se enciende de inmediato cuando se oprime la posición abajo del interruptor y se baja la escobilla de goma.**
2. Para levantar la escobilla oprima el interruptor arriba/ abajo de la escobilla de goma hasta la posición arriba (figura 24). Entonces se levanta la escobilla de goma y el motor de vacío se apaga luego de una breve demora **NOTA: La posición central del interruptor arriba/ abajo de la escobilla de goma se usa con el control de pulsación única.**

**NOTA:** La escobilla de goma se levanta de forma automática cuando se desplaza en reversa durante la operación de fregado.

**Operación del flujo de solución**

La solución se usa para aflojar y quitar la suciedad del piso. La cantidad de solución que se aplica se puede ajustar en cinco niveles diferentes para que se adapte a muchas condiciones de pisos diferentes. Estos niveles diferentes aparecen en la pantalla de cristal líquido ubicada en el frente de la máquina. Para ajustar la cantidad de solución a aplicar, use el Interruptor del flujo de solución (figura 25). **NOTA: Existen cinco configuraciones diferentes en la pantalla. Consulte la figura 26, A.**

Para incrementar el flujo de solución:

1. Oprima el lado “+” del interruptor (figura 25).
2. Oprima el interruptor “+” y manténgalo así para alcanzar el nivel deseado de flujo de solución.

Para reducir el flujo de solución:

1. Oprima el lado “-” del interruptor (figura 25).
2. Oprima el lado “-” del interruptor y manténgalo así para alcanzar el nivel deseado de flujo de solución.

**Funcionamiento de la presión del cepillo**

Los cepillos se usan para agitar la solución, lo cual mejora el proceso de limpieza. La presión de cepillo que se aplica se puede ajustar en cinco niveles diferentes para que se adapte a muchas condiciones de pisos diferentes. Estos niveles diferentes aparecen en la pantalla de cristal líquido ubicada en el frente de la máquina (figura 26, B). Para ajustar la cantidad de presión de cepillo, use el Interruptor arriba/ abajo del cepillo (figura 27).

Para aumentar la presión de los cepillos:

1. Presione el lado “+” del interruptor (figura 27).
2. Presione y mantenga apretado el interruptor “+” para lograr el máximo nivel de presión.

Para reducir la presión del cepillo:

1. Presione el lado “-” del interruptor (figura 27).
2. Presione y mantenga el lado “-” del interruptor para alcanzar para lograr mínimo presión o ninguna presión de los cepillos.

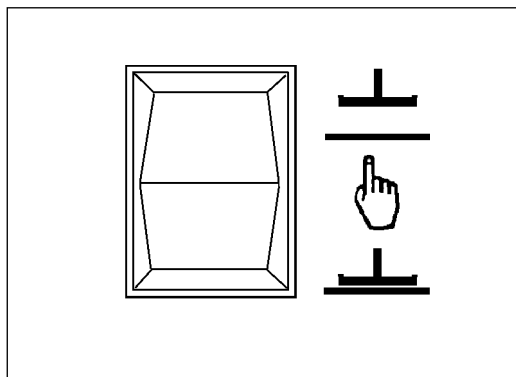


Figura 24

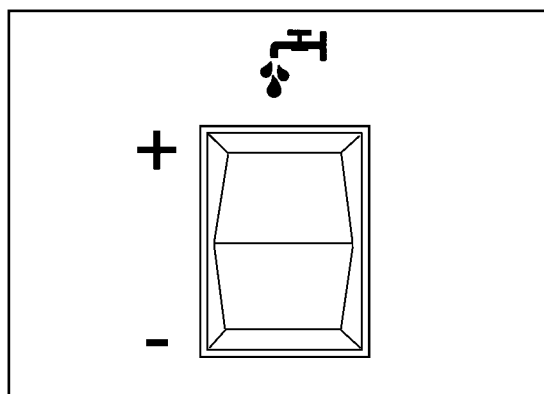


Figura 25

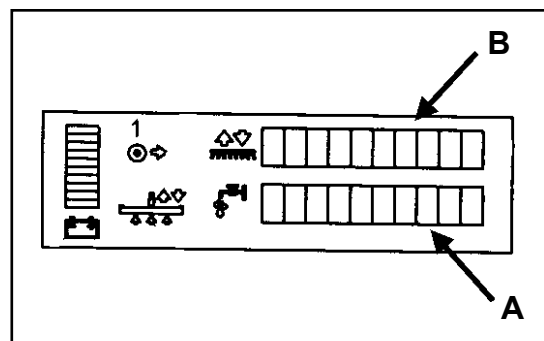


Figura 26

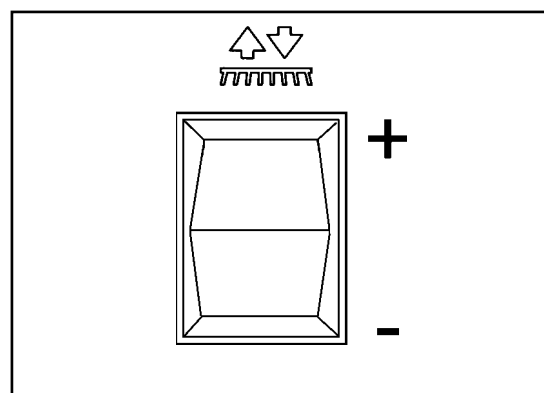


Figura 27



## Operación de la máquina

### Cómo operar el interruptor delantero / inverso.

(consulte la figura 28).

1. Para avanzar, empujar el lado de flecha hacia arriba del interruptor.
2. Para entrar el revés, empuje el lado de flecha hacia abajo del interruptor.

### Llenado del depósito de solución

El orificio de carga del depósito de solución está ubicado en el costado izquierdo de la máquina (consulte la figura 29). Para cargar el depósito de solución, siga este procedimiento:

1. Gire el interruptor de llave hasta la posición "OFF" (apagado).
2. Saque la tapa.
3. Agregue un producto químico de limpieza al depósito de solución. Para conocer la cantidad correcta del producto químico, siga las instrucciones que figuran en el recipiente. **NOTA: El exceso de espuma en el depósito de recuperación puede dañar el motor de vacío por lo cual use sólo el mínimo de detergente necesario.**

**⚠️ ADVERTENCIA:** Utilice siempre detergente de poca espuma. Para evitar la formación de espuma, antes de empezar a limpiar ponga una cantidad mínima de líquido antiespumante dentro del depósito de recuperación. **NO UTILICE NUNCA ÁCIDO PURO.**

4. Llene el depósito de solución con agua limpia (consulte la figura 29).
5. Después de llenar el depósito de solución vuelva a colocarle la tapa.

**⚠️ ADVERTENCIA:** Las soluciones de agua o los materiales de limpieza que se utilizan con este tipo de máquina pueden dejar mojadas algunas zonas del piso. Estas áreas pueden resultar peligrosas para el operador o para otras personas. Coloque siempre avisos de "PRECAUCIÓN" cerca del área que esté limpiando.

**⚠️ ADVERTENCIA:** Las máquinas pueden encender materiales y vapores inflamables. No utilice la máquina con materiales inflamables como gasolina, polvo de cereales, solventes o diluyentes; ni cerca de ellos. Utilice sólo la concentración de limpieza recomendada por el fabricante de productos químicos.

cos.

**⚠️ ADVERTENCIA:** Clarke recomienda un máximo de temperatura para el agua de 120°F (49°C).

### Operación de la máquina

**NOTA:** Antes de utilizar la máquina familiarícese con las operaciones y el manejo de la misma. Utilice la máquina a la velocidad más baja de desplazamiento. Use la máquina en una zona donde no haya ni muebles ni objetos hasta que pueda hacer lo siguiente:

1. Hacer que la máquina se desplace en línea recta, hacia adelante y hacia atrás.
2. Detener la máquina de manera segura.
3. Girar la máquina tanto hacia la izquierda como hacia la derecha y regresar a la línea recta.
4. Dar un giro de 180° grados de manera que sólo use como eje de rotación una rueda trasera.

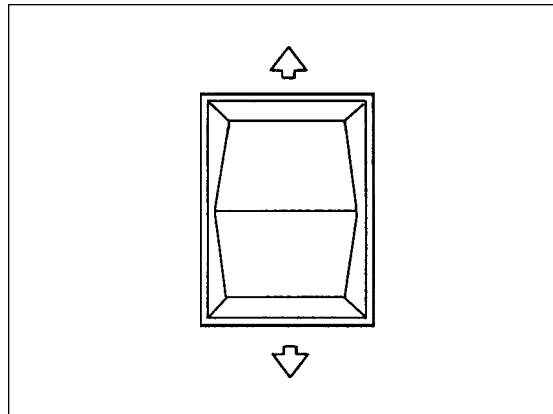


Figura 28



Figura 29

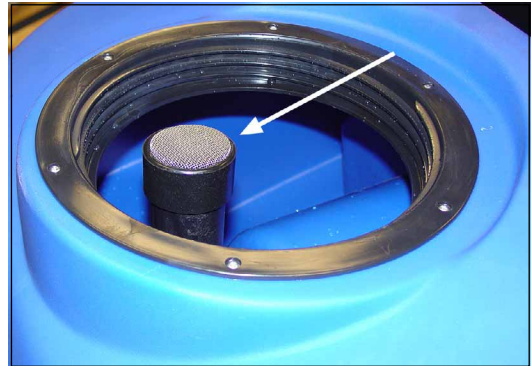
**Operación de la máquina**

Para desplazar la máquina siga este procedimiento:

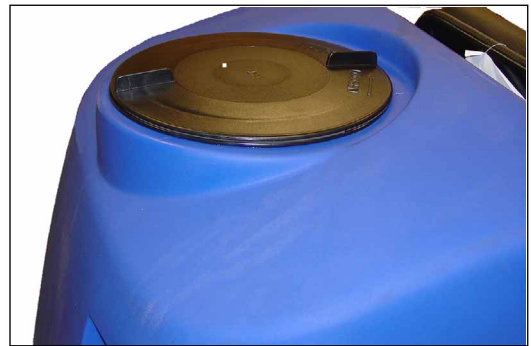
1. Siéntese en el asiento del conductor. **NOTA: La máquina no se desplaza si el operador no está bien sentado.**
2. Gire el interruptor de llave hasta la posición "ON" (encendido).
3. Levante el cepillo hasta la posición más elevada (en caso de ser necesario).
4. Levante la escobilla de goma (en caso de ser necesario).
5. Oprima suavemente el pedal de pie y la máquina comenzará a moverse.
6. Para detener la máquina no presione el pedal de pie.
7. Para viajar en el revés, escoge el revés con el interruptor delantero/inverso.
8. Para detener la máquina suelte el pedal de pie.
9. Cuando detenga la máquina, gire el interruptor de llave hasta la posición "OFF" (apagado) y saque la llave.

**Efectúe estos procedimientos al comienzo del período de trabajo**

1. Asegúrese de que el interruptor de llave se encuentra en la posición "OFF" (apagado).
2. Desconecte la alimentación de energía de C.A. del cargador de la batería (siga las instrucciones para el cargador).
3. Compruebe que el filtro de tela metálica (1) que va al motor de vacío esté limpio y bien colocado en el depósito de recuperación (consulte la figura 30).
4. Compruebe que la tapa del depósito de recuperación esté en su lugar y que esté ajustada (consulte la figura 31).
5. Cierre y asegure la cubierta del orificio inferior de limpieza (si equipado) del depósito de recuperación.
6. Compruebe que el tapón de la manguera de drenaje de recuperación está en su lugar y que esté ajustado (consulte la figura 32).
7. Asegúrese que los cepillos y las almohadilla esté en posición y se hayan instalado correctamente.
8. Compruebe que los alojamientos de los cepillos estén en posición en el cabezal del cepillo.
9. Verifique la instalación de la escobilla de goma y de la manguera de la misma.



**Figura 30**



**Figura 31**



**Figura 32**



## Operación de la máquina

### Limpeza de pisos

**⚠️ ADVERTENCIA:** Las soluciones de agua o los materiales de limpieza que se utilizan con este tipo de máquina pueden dejar mojadas algunas zonas del piso. Estas áreas pueden resultar peligrosas para el operador o para otras personas. Coloque siempre avisos de “PRECAUCIÓN” cerca del área que esté limpiando.

Para la limpieza automática de una sola pulsación siga este procedimiento:

1. Gire el interruptor de llave hasta la posición “OFF” (apagado).
2. Coloque el agua y un producto químico de limpieza en el depósito de solución.
3. Siéntese en el asiento del conductor. **NOTA: La máquina no se desliza si el operador no está bien sentado.**
4. Gire el interruptor de llave hasta la posición “ON” (encendido). **NOTA: El interruptor de llave enciende la batería y las visualizaciones de la pantalla DEL, que indican el estado de la máquina.**
5. La máquina tiene un botón de pulsación única en el tablero de control (consulte la figura 33) que se encuentra configurado previamente para una presión de cepillo y un flujo de solución. Oprima un momento el botón de pulsación única si desea usar estas configuraciones. **NOTA: Si esas no son las configuraciones que desea usar consulte la página 44 o la operación con pulsación única.**

Para un control manual del proceso de limpieza siga estos procedimientos:

1. Gire el interruptor de llave hasta la posición “OFF” (apagado).
2. Coloque el agua y un producto químico de limpieza en el depósito de solución.
3. Siéntese en el asiento del conductor. **NOTA: La máquina no se desliza si el operador no está bien sentado.**
4. Gire el interruptor de llave hasta la posición “ON” (encendido). **NOTA: El interruptor de llave enciende la batería y las visualizaciones de la pantalla DEL, que indican el estado de la máquina.**
5. Baje la escobilla de goma. **NOTA: El motor de vacío se enciende cuando se coloca el interruptor arriba /abajo de la escobilla de goma en la posición baja.**
6. Baje el cabezal del cepillo hasta que realice todo el recorrido hacia abajo. **NOTA: Los cepillos comienzan a girar sólo cuando la máquina comienza a desplazarse.**
7. Vuelva a ajustar la válvula del flujo de solución usando el interruptor + / - de la solución. **NOTA: La solución fluirá sólo si la máquina se mueve hacia adelante.**
8. Después de limpiar unos metros verifique que la cantidad de solución que se aplica es la correcta y que la escobilla de goma levanta el agua y seca el piso. Realice los ajustes que resulten necesarios.
9. Una vez que la máquina está bien configurada siga limpiando hasta que se encienda el indicador de carga baja de solución o hasta que la misma se termine.

**NOTA:** Cuando realice múltiples pasadas por el piso, superponga el recorrido de limpieza del cepillo aproximadamente 2 pulgadas (5 cm) de la superficie que el cepillo ya limpió.

**NOTA:** Durante la mayoría de los procedimientos de limpieza aplique y saque la solución en una operación.

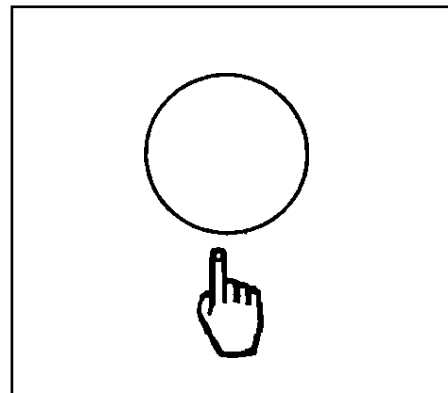


Figura 33

**Operación de la máquina****Limpieza de pisos muy sucios**

Para limpiar pisos muy sucios siga este procedimiento:

1. Aplique solución al piso.
2. No baje la escobilla de goma. Así se mantiene apagado el motor de vacío.
3. Baje el cepillo o la almohadilla y limpie el piso.
4. Limpie el piso nuevamente con más solución y baje la escobilla de goma.
5. Levante toda la solución con la escobilla de goma.

**Efectúe estos procedimientos al final del período de trabajo**

Una vez terminado el trabajo y antes de realizar ningún tipo de mantenimiento siga estos procedimientos:

Para el proceso de apagado de la limpieza de pulsación única oprima y suelte el botón de pulsación única.

Para el apagado manual siga estos procedimientos:

1. Apague el flujo de solución reduciendo el flujo hasta su posición mínima.
2. Oprima el interruptor arriba /abajo del cepillo hasta la posición arriba hasta que el cabezal del cepillo alcance su posición más elevada.
3. Coloque el interruptor arriba /abajo de la escobilla de goma en la posición arriba para levantar la escobilla de goma y deje que el motor de vacío siga funcionando. El motor de vacío sigue funcionando otros 20 segundos y luego coloque el interruptor arriba /debajo de la escobilla de goma en la posición arriba. Este procedimiento apaga el motor de vacío.
4. Lleve la máquina a un drenaje.
5. Gire el interruptor de llave hasta la posición "OFF" (apagado).
6. Saque la manguera de drenaje del gancho que la sostiene.
7. Coloque el extremo de la manguera en un drenaje o en un balde.
8. Gire el alojamiento de la válvula hacia la izquierda (consulte la figura 34).
9. Para abrir la válvula por completo, gire el alojamiento totalmente hacia la izquierda. Tire del alojamiento hacia afuera de la válvula.
10. Vacíe el depósito de recuperación. **NOTA: Cuando se baja la manguera por debajo del nivel del agua, ésta fluye .**



**ADVERTENCIA: Use guantes para protegerse las manos del contacto con soluciones peligrosas cuando siga los pasos enumerados anteriormente.**



**Figura 34**

## Operación de la máquina

11. Enjuague el depósito. Coloque agua en el depósito a través de la abertura que se encuentra en la parte superior. Tenga cuidado de que no entre agua dentro del tubo de entrada de vacío (con pantalla).
12. Si el depósito o la manguera de recuperación están obstruidos use presión de agua para lavarlos. Coloque la manguera de agua dentro de la manguera de recuperación (figura 35, A). **NOTA: No coloque la manguera de agua en el tubo de entrada de aspiración (consulte la figura 35, A), ya que se producirán daños.**

La manguera de recuperación (figura 35, A) está localizada a la derecha del tubo de entrada de aspiración (consulte la figura 35, B). La manguera de recuperación es flexible, lo que le permitirá moverla hacia la abertura para fácil acceso a la manguera de agua para lavar la línea.

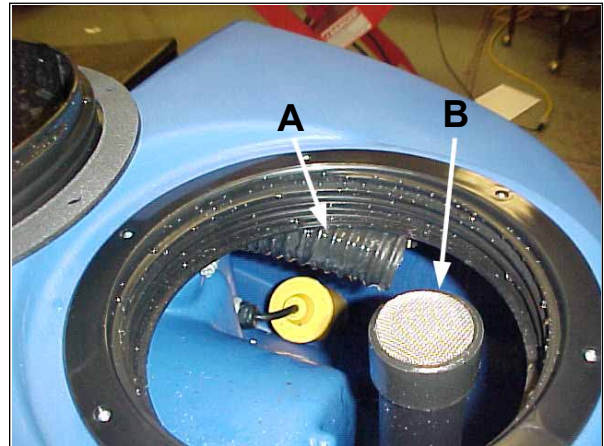


Figura 35

13. Deje que el depósito y el tapón de drenaje se sequen con el aire.
14. Verifique la hoja de la escobilla de goma. Use una tela para limpiar la hoja de la escobilla de goma. Si la hoja de la escobilla de goma está dañada o gastada, gire o reemplace la hoja.

**NOTA:** Para evitar que se dañe la escobilla de goma, la misma debe estar levantada cuando la máquina no está en funcionamiento.

15. Saque los cepillos y límpielos con un chorro de agua.
16. Utilice un trapo limpio y limpie la superficie de la máquina.
17. Revise las baterías y agregue agua destilada según resulte necesario. El nivel correcto se encuentra entre ¼" (½ cm) por debajo del fondo del tubo en cada elemento y por encima de las partes superiores de las placas. Consulte las instrucciones incluidas en la sección de este manual llamada "Mantenimiento de las baterías".

**⚠ PRECAUCIÓN:** El agua de la canilla puede contener elementos contaminantes que dañan las baterías. Sólo se debe recargar las baterías con agua destilada.

**⚠ ADVERTENCIA:** Las baterías de plomo generan gases, los cuales pueden causar una explosión. **PROHIBIDO FUMAR.** Siempre utilice protección ocular y ropa de protección cuando trabaje cerca de baterías.

18. Cargue las baterías. Consulte las instrucciones incluidas en la sección de este manual llamada "Carga de las baterías".

**Mantenimiento**

Mantenimiento seminal

**⚠️ ADVERTENCIA:** El mantenimiento y las reparaciones solo deben ser llevadas a cabo por personal autorizado. Vacíe siempre el depósito de solución y el de recuperación antes de realizar las tareas de mantenimiento. Mantenga todos los sujetadores apretados.

**⚠️ ADVERTENCIA:** Siempre utilice protección ocular y ropa de protección cuando trabaje cerca de baterías. **¡PROHIBIDO FUMAR!** No coloque herramientas ni otros objetos metálicos encima de los bornes de las baterías o de las partes superiores de las mismas.

**⚠️ PRECAUCIÓN:** Para evitar daños a la máquina y la descarga de las partes superiores de las baterías no llene las baterías por encima del fondo del tubo en cada elemento. Limpie cualquier resto de ácido de la máquina o de las partes superiores de las baterías. No les agregue ácido a las baterías después de su instalación.

Inspección y limpieza de la batería

1. Gire el interruptor de llave hasta la posición "OFF" (apagado).
2. Para inspeccionar las baterías gire el apoyo del asiento hacia adelante. Levante y gire el depósito de recuperación. Compruebe que el depósito de recuperación esté vacío antes de levantarlo.
3. Desconecte las baterías. Use una tela y una solución de amoníaco o bicarbonato de sodio para limpiar la parte superior de las baterías. Limpie los bornes de la batería. Reconecte las baterías. Consulte las instrucciones incluidas en la sección de este manual llamada "Mantenimiento de las baterías".
4. Una vez terminada la inspección de las baterías cierre el depósito de recuperación. Vuelva a girar el apoyo del asiento hasta la posición de operación.

Limpieza del depósito de recuperación y del filtro

1. Gire el interruptor de llave hasta la posición "OFF" (apagado).
2. Vacíe el depósito de recuperación usando la manguera flexible de drenaje. Para ello desatornille la perilla y saque el tapón (consulte la figura 36).
3. Si la máquina está equipada con el orificio opcional de limpieza, abra la cubierta inferior del orificio de limpieza para lo cual desatornille las cuatro perillas (consulte la figura 37). **NOTA: Primero compruebe que el depósito está vacío.**
4. Enjuague el depósito y limpie el tapón de drenaje.



Figura 36

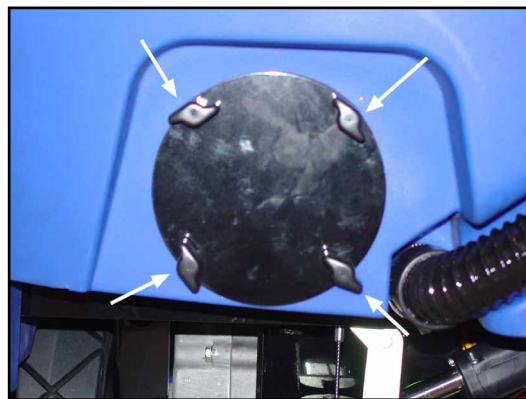


Figura 37

## Mantenimiento

5. Limpie el accesorio de la manguera del depósito de recuperación y rocíe agua hacia abajo por la manguera de la escobilla de goma para eliminar los residuos.
6. Vuelva a conectar la manguera de la escobilla de goma.

### Limpieza del depósito de solución y del filtro

1. Mueva la máquina de manera que el montaje del filtro del depósito de solución quede ubicado directamente sobre un drenaje del piso.
2. Gire el interruptor de llave hasta la posición "OFF" (apagado).
3. Limpie el interior del depósito de solución con un chorro de agua.
7. Cierre la válvula de flujo de la solución.
8. Limpie el filtro que está dentro del alojamiento y vuelva a instalarlo en la máquina.



Figura 38

### Drenaje manual del depósito de solución

1. Saque la manguera del calibre derecho del conector superior (consulte la figura 38).
2. Gire el accesorio inferior para permitir que la manguera de drenaje descansa sobre el drenaje.
3. Drene el depósito de solución (consulte la figura 39).



Figura 39

### Drenaje del depósito de solución asistido por vacío

1. Saque la manguera de vacío de la placa de la escobilla de goma.
2. Encienda la aspiradora.
3. Saque la manguera de solución y colóquela dentro de la manguera de vacío hasta que la arandela se apoye en el borde de la manguera.

**NOTA:** El uso de la asistencia por vacío ayuda a enjuagar el depósito de recuperación. De esta manera se contribuye a reducir los tiempos de limpieza y mantenimiento.

### Mantenimiento de la escobilla de goma

Limpie la escobilla de goma con un chorro de agua y una tela húmeda. Revise las hojas delanteras y traseras de la escobilla de goma para determinar si presentan desgaste. Reajuste o reemplace las hojas según resulte necesario.

### Reemplazo de la hoja de la escobilla de goma delantera

Para reemplazar la hoja delantera de la escobilla de goma siga este procedimiento:

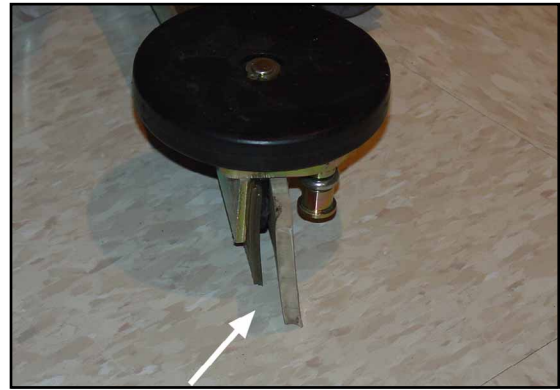
1. Saque el montaje de la escobilla de goma de la máquina.
2. Saque la abrazadera y la hoja delantera de la escobilla de goma.
3. Coloque la hoja delantera de la escobilla de goma delantera nueva y vuelva a colocar la abrazadera.
4. Vuelva a colocar la escobilla de goma en la máquina.

**Mantenimiento**

**Reemplazo de la hoja trasera de la escobilla de goma**

Si la hoja trasera de la escobilla de goma está gastada y no seca bien el piso, siga este procedimiento:

1. Saque el montaje de la escobilla de goma de la máquina.
2. Saque la hoja de la escobilla de goma y revísela.
3. Rote la hoja de la escobilla de goma para lograr un borde de limpieza nuevo. Reemplace la hoja de ser necesario.
4. Vuelva a colocar la hoja de la escobilla de goma.
5. Vuelva a colocar el montaje de la escobilla de goma en la máquina.
6. Vuelva a realizar los ajustes de la escobilla según resulte necesario (consulte "Ajuste de la escobilla de goma").



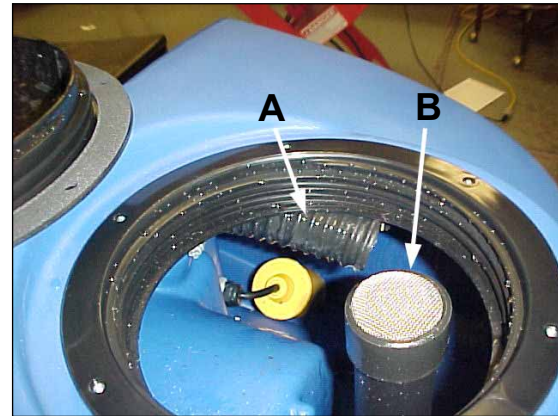
**Figura 40**

**Mantenimiento de la escobilla de goma**

Es posible rotar la hoja de la escobilla de goma a fin de prolongar su vida útil.

Deje que el borde afilado quede en el piso para lograr una mejor limpieza. Consulte la figura 40. Para rotar la hoja siga este procedimiento:

1. Saque la abrazadera.
2. Saque la hoja y gírela hasta obtener otro borde.
3. Vuelva a colocar la escobilla de goma.
4. Vuelva a colocar la abrazadera.



**Figura 41**

**Limpieza de las mangueras de vacío**

Verifique que la escobilla de goma esté sobre un drenaje adecuado.

1. Use una manguera de jardín para lavar las mangueras de recuperación.
2. Escobilla de goma lateral - Coloque la manguera de jardín del lado de la escobilla de goma de la manguera y realice un lavado completo.
3. Manguera de recuperación – Coloque la manguera de jardín dentro del depósito de recuperación. La manguera de recuperación está ubicada detrás del borde roscado (consulte la figura 41, A). **NOTA: No coloque la manguera en la entrada de vacío (consulte la figura 41, B), se producirán daños.**



**CORRECCIÓN DE PROBLEMAS DE LA MÁQUINA**

<b>PROBLEMA</b>	<b>CAUSA</b>	<b>MEDIDA COR</b>
Insuficiente cantidad de agua sobre los cepillos	<p>El flujo de solución no está configurado</p> <p>No hay agua en el depósito de solución.</p> <p>El filtro de la solución está sucio.</p> <p>Se activó un disyuntor.</p> <p>El flujo es insuficiente.</p>	<p>Compruebe que el flujo de solución esté configurado.</p> <p>Llene el depósito de solución.</p> <p>Limpie el filtro de solución.</p> <p>Reponga el disyuntor.</p> <p>Incremente el flujo con el interruptor de la solución.</p>
La máquina no limpia satisfactoriamente	<p>Los cepillos están gastados.</p> <p>Es necesario usar un tipo diferente de cepillo /almohadilla</p>	<p>Controle los cepillos y reemplácelos de resultar necesario. (se deben reemplazar los cepillos cuando la cerda alcanza aproximadamente 0,59 pulgadas (15 mm de altura). Utilice otro tipo de cepillo. Para las operaciones de limpieza de pisos cuya suciedad ha demostrado ser particularmente resistente, recomendamos el uso de cepillos especiales. Consulte la página de los Accesorios.</p>
La escobilla de goma no seca el piso	<p>La escobilla de goma está sucia.</p> <p>La manguera de drenaje de la recuperación no está cerrada.</p> <p>Es necesario limpiar las mangueras de succión.</p> <p>Las hojas de la escobilla de goma están gastadas.</p>	<p>Lave la escobilla de goma.</p> <p>Cierre el tapón de drenaje.</p> <p>Limpie las mangueras de vacío. Consulte la sección "Mantenimiento de rutina".</p> <p>Reemplace o gire las hojas de la escobilla de goma. Consulte la sección "Mantenimiento de rutina".</p>
El motor de vacío no funciona	<p>El depósito de recuperación está lleno.</p>	<p>Drene el depósito de recuperación.</p>
La máquina no arranca	<p>El interruptor arriba /abajo de la escobilla de goma no se encuentra en la posición baja ni media.</p> <p>El operador no se encuentra bien sentado.</p> <p>La llave no está en la posición "ON" (encendido).</p> <p>El cargador todavía está conectado.</p> <p>Las baterías no están cargadas o no están adecuadamente conectadas.</p>	<p>Coloque la escobilla de goma en la posición baja o media o vuelva a programar a "pul-sación única".</p> <p>El operador debe estar bien sentado en la posición del conductor.</p> <p>Gire la llave hasta la posición "ON" (encendido).</p> <p>Saque el cable de C.A. de la pared.</p> <p>Verifique que las baterías estén bien conectadas y cárguelas de ser necesario.</p>
No funcionan los motores del cepillo <b>ADVERTENCIA:</b> Para evitar dañar el piso el motor sólo se enciende cuando la máquina está en movimiento.	<p>Se activó el disyuntor.</p> <p>La unidad del cabezal del cepillo no bajó.</p> <p>Las baterías no están cargadas o no están adecuadamente conectadas.</p> <p>La conexión eléctrica en la unidad del cabezal del cepillo no es buena.</p>	<p>Reponga el disyuntor.</p> <p>Baje la unidad del cabezal del cepillo.</p> <p>Verifique que las baterías estén bien conectadas y cárguelas de ser necesario.</p> <p>Realice la conexión eléctrica en la unidad del cabezal del cepillo.</p>

**Fregadora de conductor a bordo FOCUS**  
**Códigos de error comunes**

<b>CÓDIGO DE ERROR</b>	<b>CAUSA</b>	<b>MEDIDA CORRECTIVA</b>
1500 1501 1507	Verifique el freno y los cables para cortocircuito.	Asegúrese de que la transferencia de mando manual no está engranada.
1600	Alta tensión de la batería.	Conexión con la batería en mal estado o corroída.
3100 3101 3102 3103 3104 3105	Probable cortocircuito en el dispositivo de salida.	Verifique las conexiones del motor del cepillo en el trío, y verifique los cables que van de estos conectores a la tracción, los cepillos y los motores de vacío.
7600	Circuito abierto en los motores del cepillo o en los cables del motor de cepillo.	Verifique la conexión del motor del cepillo en el trío, y verifique los cables que van de este conector al motor del cepillo.
7603	Posible cortocircuito en los motores o cables del cepillo.	
7700	Circuito abierto en el motor de vacío.	Verifique el conector al trío y el motor de vacío.
7800	Circuito abierto en el motor de tracción.	Verifique la conexión del motor de tracción en el trío y el cableado que va al motor.
7802	La corriente del motor de tracción ha excedido el límite de corriente para el tiempo de reinyección.	Impulsión excesiva al subir una inclinación, o máquina impulsada contra un obstáculo o escalón.
9000	Los cepillos no están colocados.	Coloque los cepillos o almohadillas en la máquina.
2F01	El sistema de impulsión se ha activado antes de girar el interruptor de llave a la posición "ON" (encendido).	Libere el interruptor de desplazamiento y vuelva a activar.





**LISEZ CE MANUEL**




Ce Manuel contient des informations importantes concernant l'utilisation et le fonctionnement de cette machine dans des conditions de sécurité optimales. La non-lecture de ce manuel avant d'utiliser ou d'entretenir votre machine Clarke risque de provoquer un accident ou d'endommager la machine ou son environnement. Vous devez avoir été formé à l'utilisation de cette machine avant de l'utiliser. Si l'opérateur n'est pas en mesure de lire ce Manuel, il devra se le faire expliquer entièrement avant de tenter d'utiliser cette machine.











Toutes les directions données dans ce Manuel le sont par rapport à la position de l'opérateur, à l'arrière de la machine.

**Table des matières**

Consignes de sécurité destinées à l'opérateur.....	59
Introduction et caractéristiques de la machine.....	61
FOCUS sur les symboles utilisés.....	62
FOCUS sur les écrans d'affichage.....	63
Panneau de commande de la machine.....	64
Commandes et fonctions de la machine.....	65
Préparation de la machine avant son utilisation.....	66
Manipulation de la machine emballée.....	66
Déballage de la machine.....	66
Installation des batteries.....	66
Entretien des batteries.....	67
Chargement des batteries.....	68
Rechargement des batteries.....	68
Indicateurs de niveau de charge des batteries.....	69
Installation de la raclette.....	69
Réglage de la raclette.....	69
Comment changer ou faire pivoter les brosses sur la tête à brosse cylindrique.....	70
Installation de brosse ou de disque (BOOST™).....	71
Retrait de brosse ou de disque (BOOST™).....	71
Fonctionnement de la machine.....	72
Restauration des paramètres par défaut d'un bouton One Touch.....	72
Déplacement de la machine.....	72
Réglage du siège.....	73
Lecture de l'indicateur du niveau de charge des batteries.....	73
Modification des écrans d'affichage du module LCD.....	73
Lecture de l'indicateur Réservoir de solution vide.....	73
Lecture de l'indicateur Réservoir de récupération vide.....	73
Utilisation de la raclette et du moteur d'aspiration.....	74
Utilisation du dispositif d'écoulement de la solution lavante.....	74
Réglage de la pression exercée sur les brosses.....	74
Comment fonctionner le commutateur d'avant et inverse.....	75
Remplissage du réservoir de solution.....	75
Utilisation de la machine.....	75
Procédures à appliquer au début de la session de travail.....	76
Nettoyage d'un sol.....	77
Nettoyage d'un sol très sale.....	78
Procédures à appliquer à la fin de la session de travail.....	78
Maintenance.....	80
Tâches de maintenance à effectuer quotidiennement.....	80
Inspection et nettoyage de la batterie.....	80
Nettoyage du réservoir de récupération et du filtre.....	80
Nettoyage du réservoir de solution et du filtre.....	81
Vidange manuelle du réservoir de solution.....	81
Vidange du réservoir de solution à l'aide du moteur d'aspiration.....	81
Entretien de la raclette.....	81
Remplacement de la lame de la raclette avant.....	81
Remplacement de la lame de la raclette arrière.....	82
Entretien de la raclette.....	82
Nettoyage des flexibles d'aspiration.....	82
Résoudre les problèmes rencontrés avec la machine.....	83
Codes d'erreurs courantes.....	84
<b>SECTION II Pièces et Manuel d'entretien.....</b>	<b>85</b>

## CONSIGNES DE SECURITE DESTINEES A L'OPERATEUR

-  **DANGER :** La non-lecture et le non-respect des avis de **DANGER** peut entraîner de graves blessures corporelles, voire la mort. Lisez et respectez tous les avis de **DANGER** se trouvant dans le Manuel de l'utilisateur et sur la machine.
-  **AVERTISSEMENT :** En ne lisant pas et en ne respectant pas les **AVERTISSEMENTS**, vous risquez, et d'autres personnes avec vous, d'être victime d'un accident ; des dégâts matériels sont également possibles. Lisez et respectez tous les **AVERTISSEMENTS** se trouvant dans le Manuel de l'utilisateur et sur la machine.
-  **MISE EN GARDE :** La non-lecture et le non-respect des **MISES EN GARDE** risquent d'endommager la machine ou de provoquer d'autres dégâts matériels. Lisez et respectez toutes les **MISES EN GARDE** se trouvant dans le Manuel de l'utilisateur et sur la machine.

-  **DANGER :** La non-lecture du Manuel de l'utilisateur avant d'utiliser ou de tenter d'entretenir votre machine Clarke est susceptible de provoquer un accident ; un endommagement de la machine ou de son environnement est également possible. Vous devez avoir été formé à l'utilisation de cette machine avant de l'utiliser. Si l'opérateur n'est pas en mesure de lire ce Manuel, il devra se le faire expliquer entièrement avant de tenter d'utiliser cette machine.
-  **DANGER :** L'utilisation d'une machine qui n'est pas entièrement assemblée est susceptible de provoquer un accident ou d'entraîner des dommages. N'utilisez pas cette machine avant qu'elle ne soit complètement assemblée. Inspectez soigneusement la machine avant utilisation. N'utilisez la machine que lorsque les bouchons, les portes et les panneaux d'accès sont solidement fermés.
-  **DANGER :** Les machines peuvent provoquer une explosion lorsqu'elles sont utilisées à proximité de matériaux inflammables et de vapeurs. N'utilisez pas cette machine en présence ou à proximité de combustibles, de poussière agro-alimentaire, de solvants, de diluants ou de toute autre substance inflammable. Cette machine n'a pas été conçue pour recueillir les poussières dangereuses ou les substances inflammables. N'utilisez que les cires de nettoyage des sols vendues dans le commerce et spécialement conçues pour être utilisées avec une machine. **NE PAS** mettre d'essence, de combustible ou de matériaux inflammables dans les réservoirs de solution et de récupération.
-  **DANGER :** Les batteries au plomb génèrent des gaz susceptibles de provoquer une explosion. Tenez les batteries éloignées de toute étincelle et de toute flamme. Ne pas fumer à proximité de la machine. Ne recharger les batteries que dans endroit bien ventilé.
-  **DANGER :** Travailler avec des batteries peut être dangereux ! Portez toujours des lunettes et des vêtements de protection lorsque vous travaillez à proximité des batteries. Enlevez tous vos bijoux. Ne placez aucun outil, ni aucun autre objet métallique sur les bornes de la batterie ou sur le dessus des batteries.
-  **DANGER :** Utiliser le chargeur avec un cordon d'alimentation endommagé peut entraîner l'électrocution. Ne pas utiliser le chargeur si le cordon d'alimentation est endommagé.
-  **AVERTISSEMENT :** Ne tentez pas de faire tourner la machine sur une rampe d'accès. N'utilisez pas cette machine sur des surfaces présentant une pente supérieure à celle indiquée sur la machine.
-  **AVERTISSEMENT :** La machine pourrait se renverser et causer un accident ou provoquer des dégâts si elle utilisée le long d'un escalier ou d'un quai de chargement. N'arrêtez et ne stationner cette machine que sur une surface plane. Lorsque vous arrêtez la machine, placez tous les commutateurs en position « OFF » (arrêt). Tournez le commutateur à clé en position « OFF » et retirez la clé.
-  **AVERTISSEMENT :** La machine risque de déraiser si elle est utilisée à une vitesse trop élevée, si vous tentez de prendre des virages serrés, et ce, notamment sur une surface mouillée.
-  **AVERTISSEMENT :** Ne pas déplacer la machine à l'aide d'un chariot élévateur à fourche. Vous risqueriez d'endommager la machine.

**⚠ AVERTISSEMENT** : Les opérations de maintenance et les réparations effectuées par des techniciens non agréés risquent d'entraîner des dommages ou des blessures corporelles. L'entretien et les réparations ne doivent être effectués que par un technicien Clarke agréé.

**⚠ AVERTISSEMENT** : Toute transformation ou modification apportée à cette machine risque d'endommager la machine ou de blesser l'opérateur et les personnes alentour. Les transformations ou les modifications non autorisées par le fabricant annulent toutes les garanties qui couvrent cette machine.

**⚠ AVERTISSEMENT** : Les composants électriques de cette machine peuvent provoquer un « court-circuit » s'il sont exposés à l'eau et à l'humidité. Veillez à ce que les composants électriques de la machine soient toujours secs. Essuyez la machine après chaque utilisation. Cette machine est destinée à être utilisée dans un environnement sec et n'a pas été conçue pour être utilisée ou stockée à l'extérieur ou dans un environnement humide. Stockez la machine dans un bâtiment.

**⚠ AVERTISSEMENT** : L'utilisation d'une machine sans respecter les autocollants de sécurité et les instructions risque de provoquer un accident ou des dégâts matériels. Lisez tous les autocollants de sécurité présents sur la machine avant de l'utiliser. Assurez-vous que tous les autocollants de sécurité et toutes les instructions sont présentes et visibles sur la machine. Ne les recouvrez en aucun cas. Si certains autocollants et certaines décalcomanies sont manquantes ou endommagées, commandez immédiatement des autocollants et des décalcomanies de rechange auprès de votre distributeur Clarke.

**⚠ AVERTISSEMENT** : Les sols mouillés peuvent être glissants. Les solutions aqueuses ou les produits de nettoyage utilisés avec ce type de machine peuvent laisser des zones humides au sol. Ces zones peuvent s'avérer dangereuses pour l'opérateur et pour les autres personnes. Veillez à toujours placer une pancarte ATTENTION à proximité de la zone que vous nettoyez.

**⚠ AVERTISSEMENT** : L'élimination « sauvage » des eaux sales risque d'endommager l'environnement et constitue un délit. L'Agence américaine de protection de l'environnement (US Environmental Protection Agency) a établi un certain nombre de règles concernant l'élimination des eaux usées. Des réglementations municipales, locales et nationales concernant cette élimination sont peut-être en vigueur dans votre secteur. Comprenez et respectez la réglementation en vigueur dans votre région. Soyez conscients des dangers que constituent pour l'environnement les produits chimiques que vous éliminez.

**⚠ AVERTISSEMENT** : N'utilisez que les brosses livrées avec la machine ou indiquées dans le Manuel de l'utilisateur. L'utilisation d'autres brosses risque d'affecter la sécurité de la machine.

**⚠ ATTENTION** : L'utilisation de cette machine pour déplacer ou monter sur des objets peut provoquer un accident ou entraîner des dégâts matériels. Ne pas utiliser cette machine comme marchepied ou comme meuble.

**⚠ ATTENTION** : La garantie de votre machine sera annulée si vous utilisez d'autres pièces que les pièces d'origine Clarke sur votre machine. N'utilisez que des pièces de rechange Clarke.

**⚠ ATTENTION** : Cette machine contient des batteries au plomb. Ces batteries doivent être éliminées d'une manière respectueuse de l'environnement.

### **⚠ AVERTISSEMENT : REGLES GENERALES DE SECURITE**

Les règles ci-dessous doivent être scrupuleusement suivies afin d'éviter que l'opérateur ne soit blessé et que la machine ne soit endommagée :

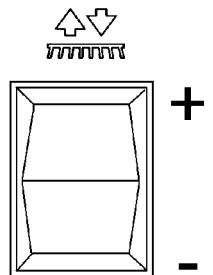
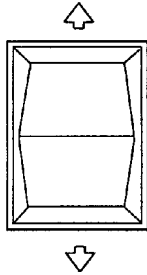
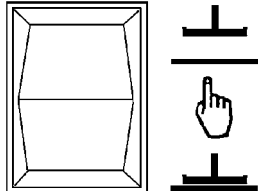
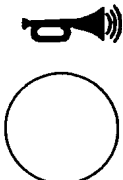
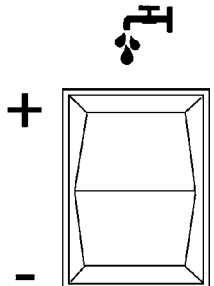
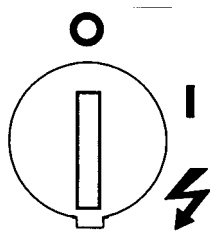
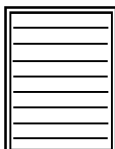
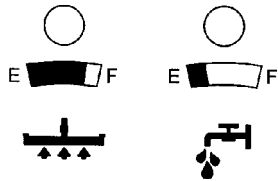
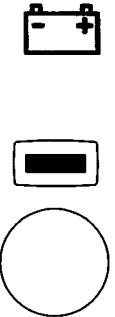
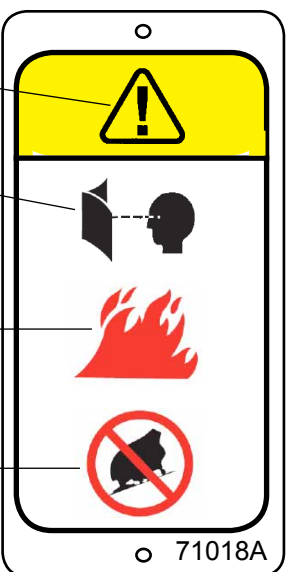

- Faites attention aux personnes autour de vous, et notamment aux enfants, lorsque vous utilisez cette machine.
- Faites attention lorsque vous faites marche arrière dans un endroit confiné.
- Ne mélangez pas différents types de détergents. Évitez les odeurs nocives.
- Ne placez aucun récipient contenant un liquide sur la machine.
- La température de fonctionnement recommandée est comprise entre 32° F et 104° F.
- Cette machine ne doit pas être utilisée lorsque l'humidité ambiante est inférieure à 30 % et supérieure à 95 %.
- Ne pas utiliser de solutions acides qui risquent d'endommager la machine.
- Afin d'éviter d'endommager le sol, ne laissez pas les brosses fonctionner lorsque la machine est à l'arrêt.
- En cas d'incendie, utiliser un extincteur à poudre. Ne pas utiliser d'eau.
- Veillez à ne pas heurter d'étagère ou d'échaffaudage : vous risqueriez de faire tomber des objets.
- Adaptez la vitesse de la machine aux conditions d'adhérence.
- Ne dépassez pas la pente maximum autorisée indiquée par le constructeur : la machine pourrait devenir instable.
- Coupez l'alimentation électrique de la machine pour toute opération de maintenance.
- Ne démontez aucune pièce qui nécessite l'utilisation d'un outil pour être retirée.
- Ne lavez pas la machine directement avec un jet d'eau, avec un nettoyeur haute pression ou avec des produits corrosifs.
- La machine doit être révisée par un technicien agréé toutes les 200 heures d'utilisation.

## Introduction et caractéristiques de la machine

Cette machine est une machine de nettoyage des sols qui, grâce à l'action abrasive mécanique de brosses ou de patins et à l'action chimique d'une solution composée d'eau et de détergent, est capable de nettoyer tous les types de sols. En avançant, elle recueille la saleté retirée et la solution de détergent qui n'a pas été absorbée par le sol.

Modèle	Disque de 28"	Disque de 34"	Cylindrique de 28"	Orbital Boost® 32"
Code d'article	00310S, 00310C	00311S, 00311C	00312S, 00312C	00317S, 00317C
Largeur nettoyé	28" (71,1 cm)	34" (86,4 cm)	28" (71,1 cm)	32" (81,3 cm)
Alimentation électrique	Système de 36 volt utilisant (6) batteries à décharges poussée de 6 volt 250, 330, ou 370 AH			
Chargeur de batterie	Smart charger embarqué entièrement automatique, 115V 60Hz ou 230V 50Hz			
Moteurs de brosse	(1) 2 hp (1,5 kW) entraînant deux engrenages coniques d'équerre	(1) 2,5 hp (1,9 kW) entraînant deux engrenages coniques d'équerre	(2) 0,75 hp (0,56 kW)	(1) 0,75 hp (0,56 kW)
Taille/vitesse de brosse	(2) 14" (36 cm) 300 RPM	(2) 17" (43 cm) 300 RPM	(2) 6 x 28" (15,2 x 71,1 cm) 750 RPM	(1) 14 x 32" (35,6 x 81,3 cm) 2250 RPM
Pression de brosse	12 -225 lbs. (57-102 kg)		90-130 lbs. (41-59 kg)	115-155 lbs. (52-70 kg)
Vitesse de déplacement (max)	4.1 mph (6.6 kph)			
Déplacement	1,5 hp (1,1 kW) traction transaxle de deux roues arrières de diamètre 10" (25,4 cm)			
Degré maximum de nettoyage	6 degrés			
Moteur d'aspiration	1 hp (0,75 kW) déchargement tangentiel à trois niveaux			
Niveau sonore	70 dBA			
Réservoir de solution	30 gallon (113 liter)			
Réservoir de récupération	30 gallon (113 liter)			
Longueur	65" (165 cm)			
Largeur	33" (84 cm)	35,5" (90 cm)	30" (130 cm)	33" (84 cm)
Hauteur	56" (142cm)			
Poids de la machine avec batterie 330 AH & rempli de produit	1478 lbs. (670 kg)	1498 lbs. (679 kg)	1498 lbs. (679 kg)	1488 lbs. (675 kg)
Garantie	8 ans pour les réservoirs Polydur™, 3 ans pour les pièces, 1 an main d'oeuvre, 18 mois au prorata pour les batteries			

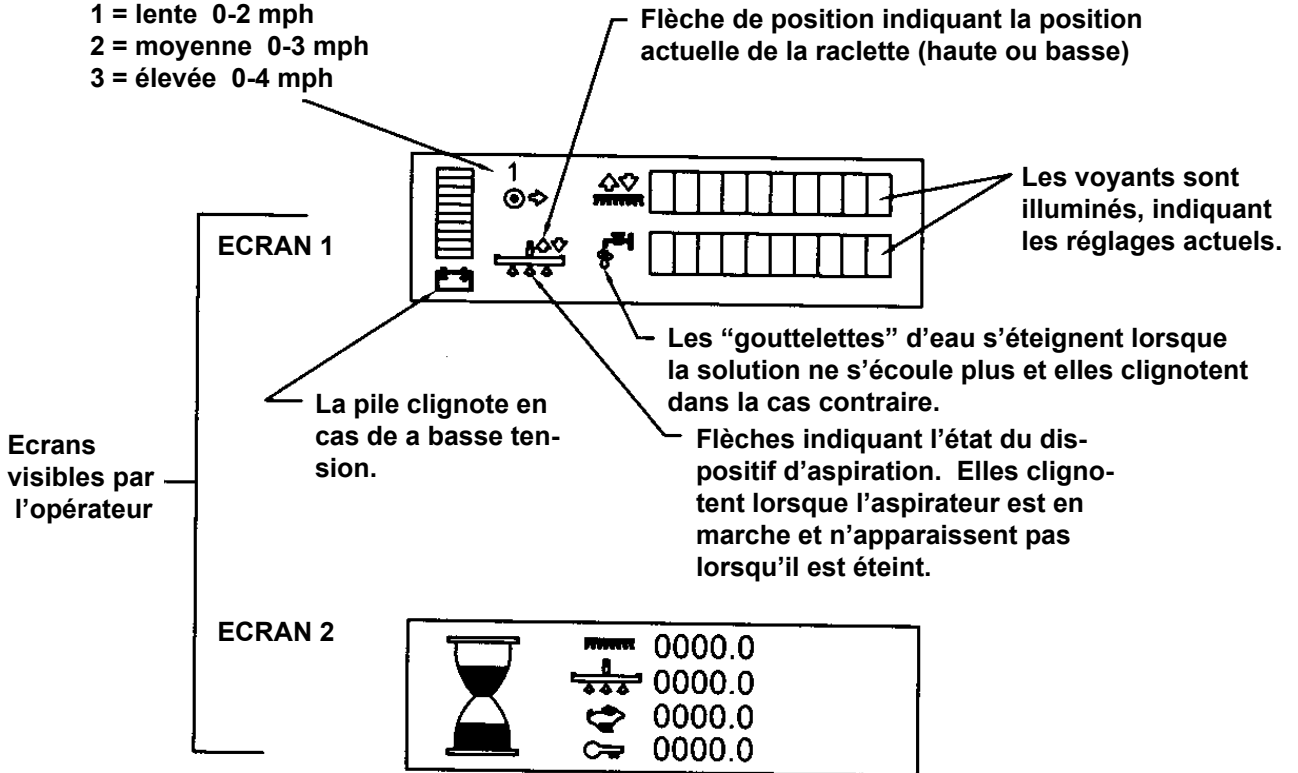
Symboles utilisés dans les FOCUS laveuse autoportée

<p><b>Abaissement/ relèvement des brosses</b></p>		<p><b>En avant et l'inverse</b></p>	
<p><b>Abaissement/ Relèvement de la raclette</b></p>		<p><b>Bouton de l'avertisseur sonore</b></p>	
<p><b>Commutateur d'écoulement de la solution</b></p>		<p><b>Commutateur Marche/Arrêt</b></p>	
<p><b>Indicateur du niveau de charge des bat- teries</b></p>		<p><b>Voyant DEL Récupération / Solution</b></p>	
<p><b>Bouton Afficheur LCD</b></p>		<p><b>AVERTISSEMENT</b></p>	
<p><b>Bouton One Touch</b></p>		<p><b>LIRE LE MODE D'EMPLOI AVANT DE FAIRE MARCHER CETTE MACHINE.</b></p>	<p><b>RISQUE D'INCENDIE</b> • Utiliser uniquement des nettoyants et des cires commerciaux conçus pour la marche des machines. • Ne pas utiliser de matière inflammable.</p>
		<p><b>RISQUE DE BLESSURE OU DE DOMMAGE MATE- RIEL</b> • Ne pas tourner, arrêter ou laisser la machine sur une</p>	<p>71018A</p>

Ecrans de l'afficheur pour les FOCUS laveuse autoportée

Indicateur de vitesse de déplacement

- 1 = lente 0-2 mph
- 2 = moyenne 0-3 mph
- 3 = élevée 0-4 mph



Exemple

ECRAN 3 (Diagnostic)



Destiné au diagnostic uniquement. Reste éteint tant que la machine ne présente pas de panne. Lorsque l'erreur se produit, l'icône et le code d'erreur s'affichent.

## Panneau de commandes de la machine

### Commutateur à clé Marche/Arrêt (voir figure 1, élément D)

Le commutateur à clé permet de mettre le panneau de commandes sous tension. « O » correspond à « OFF » et « I » correspond à « ON ».

### Commutateur d'abaissement/de relèvement des brosses (voir figure 1A)

Pour abaisser la brosse, poussez le commutateur correspondant vers le bas (+). Pour abaisser la brosse jusqu'à la pression d'applique maximum, maintenez le commutateur des brosses abaissé (+) jusqu'à la fin du processus d'abaissement. Les moteurs des brosses se mettent en route et la solution commence à s'écouler (pourvu que la commutateur solution soit en position « ON ») lorsque la machine commence à avancer. Pour relever la brosse, poussez le commutateur des brosses vers le haut (-) jusqu'à la fin du processus de relèvement ou jusqu'à ce que la position désirée soit atteinte.

### Commutateur d'abaissement/de relèvement de la raclette (voir figure 1B)

Le commutateur de la raclette permet de relever ou d'abaisser la raclette et d'allumer et d'éteindre le moteur d'aspiration. Le moteur d'aspiration s'allume lorsque le commutateur est en position intermédiaire ou en position basse. **REMARQUE : Lorsque le commutateur de raclette est en position haute, le moteur d'aspiration se met en route.**

Pour relever la raclette, placez le commutateur en position intermédiaire ou haute. La position intermédiaire est utilisée pour les commandes One Touch. Le moteur d'aspiration s'arrête, après un court instant, lorsque le commutateur est placé en position haute.

### Compteur horaire (voir figure 1E)

Le compteur horaire est situé sur l'afficheur avant. Vous devez naviguer dans les écrans à l'aide du bouton de l'afficheur LCD. Le compteur horaire indique le nombre d'heures de fonctionnement de la machine. Il affiche le temps de fonctionnement du moteur des brosses, du moteur d'aspiration, du moteur de déplacement et du commutateur à clé.

### Indicateur du niveau de charge des batteries (voir figure 1F)

L'indicateur du niveau de charge de la batterie indique le niveau de charge résiduelle du bloc-batterie. Cet indicateur est situé sur l'écran 1 de l'afficheur avant. Voir page 7.

### Commande d'écoulement de la solution (voir figure 1C)

Le commutateur d'écoulement de la solution régule le débit de l'écoulement de la solution chimique sur le sol. Pour augmenter le débit, mettez le commutateur en position (+). Pour augmenter le débit, mettez le commutateur en position (-). Pour stopper l'écoulement, maintenez le commutateur en position - jusqu'à ce que tous les indicateurs présents à l'écran disparaissent.

**REMARQUE : NE PAS faire fonctionner à sec !**

**REMARQUE : la solution ne s'écoule pas lorsque la machine est à l'arrêt.**

### Coupe-circuits

Les boutons d'intialisation des coupe-cricuits sont situés à l'arrière du capot avant situé sous l'afficheur avant. Les coupe-circuits sont les suivants :

Disjoncteur A - Secteur (5 A)

Disjoncteur B - commutateur à clé (5 A)

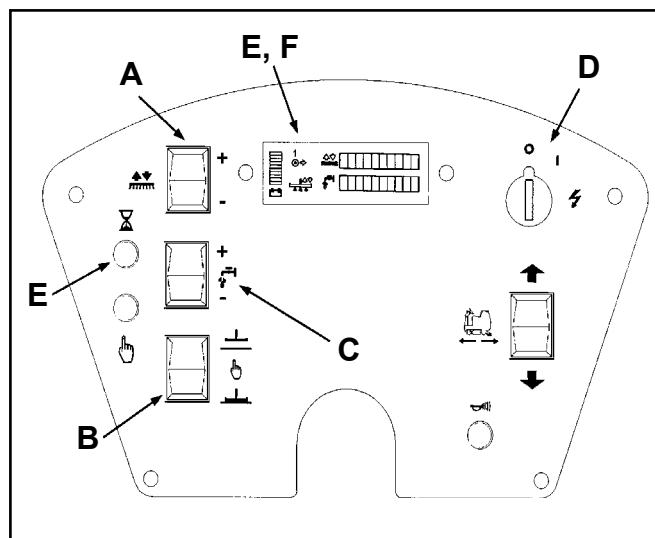


Figure 1



## Commandes et fonctions de la machine

### Flotteur du réservoir de récupération

L'autolaveuse auto-portée FOCUS est équipée d'un flotteur qui coupe le système d'aspiration lorsque le réservoir de récupération est plein. La raclette n'aspire donc plus d'eau. Dans ce cas, relevez la raclette et videz le réservoir de récupération.

### Déplacements

L'autolaveuse auto-portée FOCUS est équipée d'un système de déplacement doté de vitesses variables tant en marche avant qu'en marche arrière.

1. Pour faire avancer la machine, cette dernière doit être mise sous tension à l'aide du commutateur à clé et l'opérateur doit être correctement assis.
2. La vitesse de déplacement peuvent être réglées varier la pression exercée sur de la pédale de pied.

**REMARQUE : En marche arrière, la raclette se relève et l'écoulement de la solution s'arrête automatiquement. La marche arrière réduit également la vitesse maximum de déplacement.**

### Freins

La machine est équipée with d'un système de freinage électronique. Le frein électronique s'actionne automatiquement. **REMARQUE :** Lors de votre période d'apprentissage, vous devez laisser la machine s'arrêter entièrement jusqu'à ce que vous ayez l'habitude des distances de freinage nécessaires.

### Frein de stationnement

Le frein de stationnement s'active automatiquement lorsque la machine s'arrête. Le frein de stationnement se relâche automatiquement lorsque la machine commence à avancer. La boîte-pont est équipée d'un dispositif de relâchement manuel du frein. **REMARQUE :** La machine ne fonctionne pas lorsque la neutralisation manuelle est embrayée. Voir la figure 2.

### Avertisseur de marche arrière

L'avertisseur de marche arrière émet automatiquement un son intermittent lorsque la machine recule.

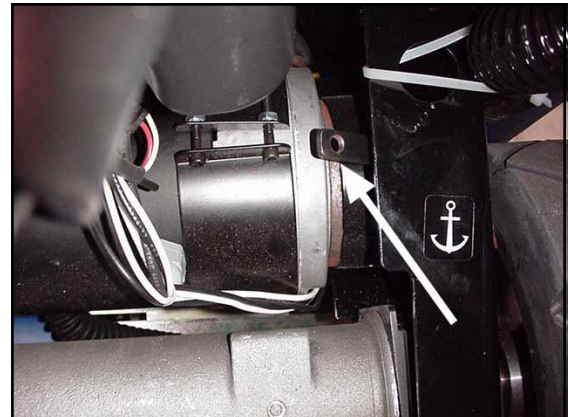


Figure 2

**Préparation de la machine avant son utilisation**

Manipulation de la machine emballée

La machine est livrée dans un emballage spécifique placé sur une palette afin de pouvoir être déplacée à l'aide d'un chariot élévateur à fourche.

**⚠ AVERTISSEMENT : Les emballages ne doivent pas être empilés.**

Déballage de la machine

1. Retirer l'emballage extérieur.
2. La machine est fixée sur la palette à l'aide de sangles de maintien et de cales de bois afin de l'empêcher de bouger lors du transport. Retirez les sangles et les cales.
3. La machine est livrée batteries installées.
4. Retirez les fixations.
5. Abaissez la rampe d'accès. La machine peut être mise en route pour descendre de la palette. Toutefois, pour ce faire, l'opérateur devra être habitué à son utilisation.
6. Conserver la palette au cas où vous auriez besoin de transporter la machine ultérieurement.

Installation des batteries

**⚠ AVERTISSEMENT : Les batteries sont lourdes. Vous risquez de vous blesser en tentant de soulever les batteries seul. Faites-vous aider pour soulever les batteries.**

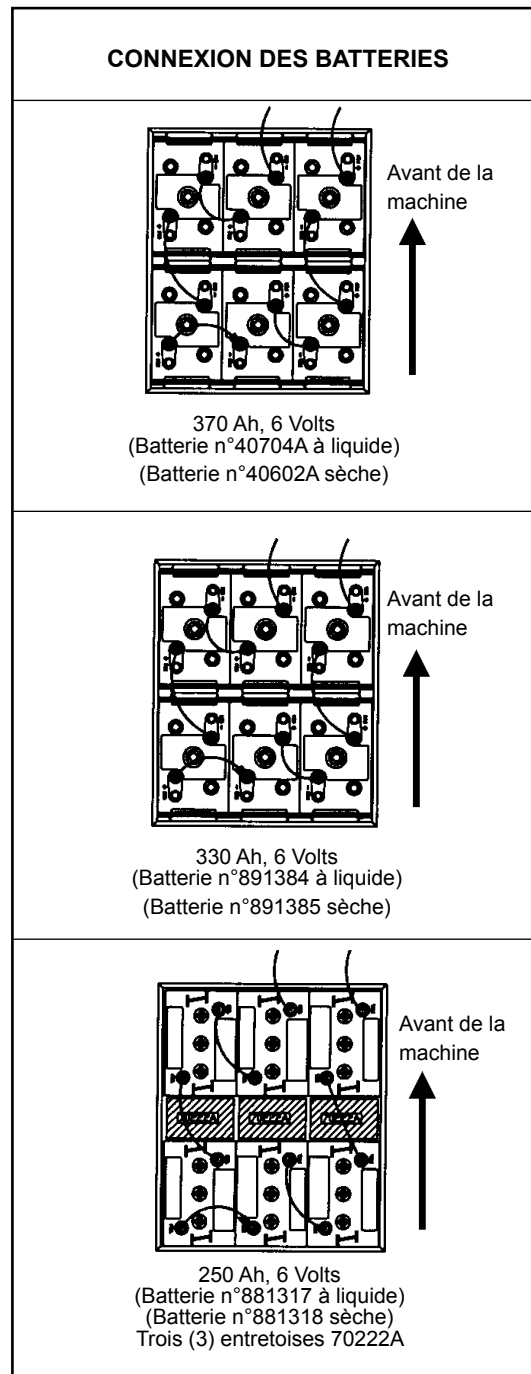
**⚠ AVERTISSEMENT : Travailler avec des batteries peut être dangereux ! Portez toujours des lunettes et des vêtements de protection lorsque vous travaillez à proximité des batteries. NE PAS FUMER !**

**⚠ AVERTISSEMENT : De l'hydrogène (gaz explosif) se forme lors de la recharge des batteries. Ne rechargez les batteries que dans un endroit bien ventilé en vous assurant que la base du siège est relevée.**

Les batteries sont placées dans le compartiment des batteries situé sous le siège et sous le réservoir de récupération (figure 3). La machine utilise six batteries de 6 volts. Elles doivent être manipulées à l'aide d'un équipement de manutention adapté au poids et au système de coupleur. Pour l'entretien et la recharge quotidienne des batteries, il est nécessaire de suivre toutes les instructions données par le constructeur.

Suivez les étapes suivantes pour installer les batteries (voir figure 3) :

1. Assurez-vous que le commutateur à clé est en position « OFF ».
  2. Inclinez le support du siège vers l'avant.
  3. Inclinez le siège jusqu'au câble de retenue.
  4. Soulevez l'avant du réservoir de récupération et faites le pivoter vers l'arrière jusqu'à ce qu'il repose sur son câble de retenue.
  5. Mettez les batteries en place et connectez les câbles de batterie comme indiqué dans la figure 3.
  6. Faites pivoter le réservoir de récupération puis ramenez-le doucement vers l'avant en position normale.
  7. Abaissez le support du siège.
- REMARQUE :** charger les batteries avant utilisation.



**Figure 3**

## Préparation de la machine avant son utilisation

### Entretien des batteries

La puissance électrique dont a besoin la machine pour fonctionner provient des batteries à accumulateurs. Les batteries à accumulateurs requièrent une maintenance préventive.

**⚠ AVERTISSEMENT : Travailler avec des batteries peut être dangereux ! Portez toujours des lunettes et des vêtements de protection lorsque vous travaillez à proximité des batteries. NE PAS FUMER !**

Afin de maintenir les batteries en bon état, suivez ces instructions :

1. Veillez à maintenir en permanence un niveau d'électrolyte suffisant. Le niveau correct se situe entre 1/2 cm en-dessous du fond du tube de chacun des compartiments et au-dessus du sommet des plaques. Vérifiez le niveau d'électrolyte à chaque fois que vous rechargez les batteries (voir figure 4).

**REMARQUE :** Vérifiez le niveau d'électrolyte avant de recharger les batteries. Assurez-vous que les plaques de chaque compartiment sont recouvertes d'électrolyte avant de procéder au chargement. Ne remplissez pas les compartiments avant de recharger la batterie. L'électrolyte augmente de volume lors du chargement. Par conséquent, l'électrolyte risque de déborder des compartiments. Ne complétez le remplissage des compartiments avec de l'eau distillée qu'après le chargement.

**⚠ MISE EN GARDE :** Les batteries risquent d'être irrémédiablement endommagées si l'électrolyte ne recouvre pas entièrement les plaques. Veillez à maintenir en permanence un niveau d'électrolyte suffisant.

**⚠ MISE EN GARDE :** La machine risque d'être endommagée et les batteries risquent de déborder si ces dernières sont trop remplies. Ne remplissez pas les batteries jusqu'en haut du tube de chaque compartiment. Essuyez toute trace d'acide présente sur la machine ou au sommet des batteries. N'ajoutez jamais d'acide dans une batterie une fois que celle-ci est installée.

**⚠ MISE EN GARDE :** Les batteries ne doivent être remplies qu'avec de l'eau distillée. N'utilisez pas d'eau du robinet : elle pourrait contenir des contaminants qui risquent d'endommager la batterie.

2. Veillez à ce que le dessus des batteries soit toujours propre et sec. Veillez à ce que les bornes et les connecteurs soient propres. Pour nettoyer le dessus des batteries, utilisez un chiffon humidifié avec une légère solution d'ammoniaque ou de bicarbonate de soude. Pour nettoyer les bornes et les connecteurs, utilisez un outil de nettoyage spécifique. Ne laissez pas l'ammoniaque ou le bicarbonate de soude pénétrer dans les batteries.
3. Veillez à ce que les batteries soient chargées.

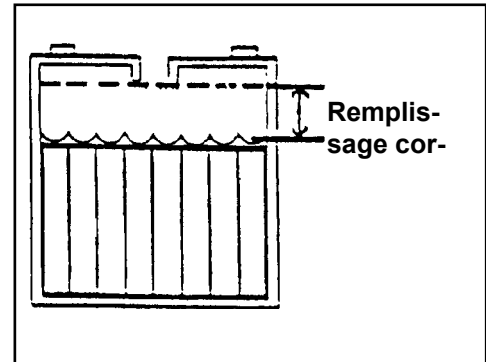


Figure 4

## Préparation de la machine avant son utilisation

### Chargement des batteries

**AVERTISSEMENT** : Le chargement des batteries dans une zone sans ventilation adéquate risque d'entraîner une explosion. Afin d'éviter tout risque d'explosion, ne rechargez les batteries que dans endroit bien ventilé.

**AVERTISSEMENT** : Les batteries au plomb génèrent des gaz susceptibles d'exploser. Tenez les batteries éloignées de toute étincelle et de toute flamme. **NE PAS FUMER !**

**ATTENTION** : Consultez le manuel du propriétaire du chargeur tous les chargeurs de batterie embarqués sont programmés pour un type de batterie spécifique. Le chargeur devra peut-être être reprogrammé pour charger correctement des batteries de recharge différentes des batteries d'origine de la marque Clarke.

**REMARQUE** : Remplacez les batteries par un ensemble de batteries Clarke identique au jeu de batteries d'origine. Le numéro de pièce correct de la batterie Clarke figure sur l'étiquette de batterie Clarke apposée sur le dessus de chaque batterie.

Si la batterie de remplacement est une batterie de marque Clarke mais d'un type différent, contactez le service technique de Clarke au 800-356-7274 pour plus d'informations.

Si la batterie de remplacement n'est pas de marque Clarke, contactez le fabricant du chargeur pour obtenir plus d'informations.

Suivez la procédure ci-dessous pour recharger les batteries :

1. Assurez-vous que le commutateur à clé est en position « OFF ».
2. Soulevez la base du siège.
3. Connectez le cordon d'alimentation CA du chargeur de batterie à une prise murale de 15 A (min.) et de 120V correctement reliée à la terre.
4. Observez le voyant lumineux pour vous assurer que le processus de charge a commencé (voir figure 5, A - Rouge, B - Jaune, C - Vert). Pour plus d'indications sur les couleurs, voir la figure 6.

### Rechargement des batteries

L'autolaveuse autoportée Focus est livrée avec un chargeur intégré.

1. Branchez-le dans n'importe quelle prise murale pour que le chargement commence automatiquement.
2. Observez le voyant lumineux pour vous assurer que le processus de charge a commencé (voir figure 5, A - Rouge, B - Jaune, C - Vert). Pour plus d'indications sur les couleurs, voir la figure 6.

**REMARQUE** : Assurez-vous que le chargeur est branché dans un circuit qui n'est pas déjà utilisé par un autre équipement. Les coupe-circuits pourraient se déclencher et le chargement ne pas s'effectuer.

**AVERTISSEMENT** : Ne chargez jamais une batterie sèche avec un chargeur non adapté. Suivez scrupuleusement les instructions données par le fabricant des batteries et du chargeur de batterie.

**REMARQUE** : Afin d'éviter d'endommager les batteries, évitez de les laisser se décharger complètement. Ne laissez jamais les batteries complètement déchargées, même si la machine n'est pas utilisée. Lors du rechargement des batteries, maintenez la base du siège soulevée. Toutes les 20 opérations de recharge, vérifiez le niveau d'électrolyte et complétez, si nécessaire, avec de l'eau distillée.

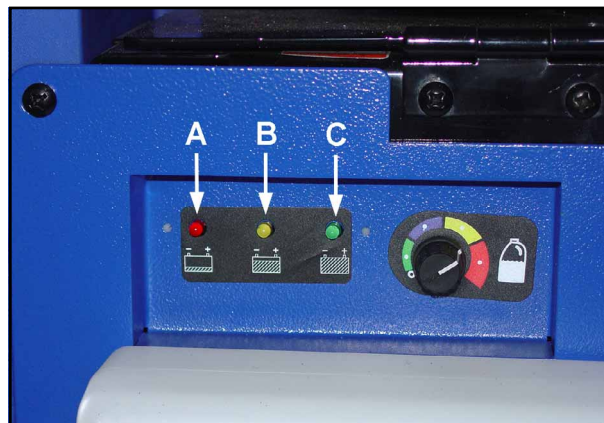


Figure 5

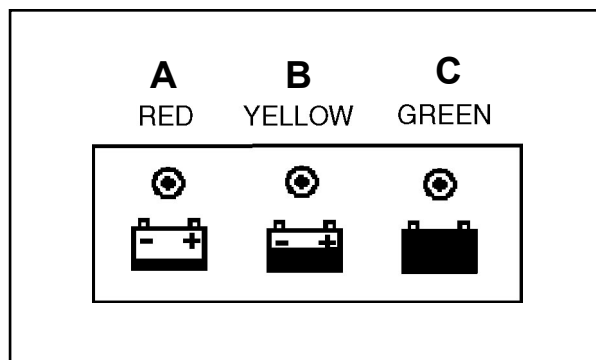


Figure 6

## Préparation de la machine avant son utilisation

### Indicateurs de niveau de charge des batteries

L'indicateur du niveau de charge des batteries (voir figure 7) situé sur le panneau de commandes est un cadran numérique doté de 10 positions fixes (A) et d'un indicateur clignotant (B). Les barres qui apparaissent sur l'afficheur indiquent le niveau de charge approximatif sous forme d'une icône représentant une batterie déchargée (clignotante).

**REMARQUE :** Quelques secondes après que la tension n'indique 32V, cette icône commence à clignoter. Les moteurs des brosses s'éteignent alors automatiquement.

### Installation de la raclette

Pour installer la raclette sur la machine, appliquez la procédure suivante :

1. La raclette est équipée d'un dispositif de décrochage qui est également utilisé pour monter la raclette. Desserrez les boutons de la raclette (figure 8). Insérez le goujon dans le trou situé sur le châssis de la machine.
2. Fixez le manchon du flexible d'aspiration au raccord du flexible de la raclette (voir figure 9).
3. Resserrez les boutons. **REMARQUE :** Veillez à ne pas trop serrer : le dispositif de décrochage pourrait ne pas fonctionner et la machine pourrait être endommagée.

**REMARQUE :** Afin d'éviter que la raclette ou que la machine ne soient endommagées, la raclette a été conçue pour se décrocher de la machine. Si la raclette heurte un objet et qu'elle se décroche de la machine, il vous suffit de la réinstaller en suivant les étapes 1 à 3.

### Réglage de la raclette

Pendant le fonctionnement, le balai de la raclette arrière doit avoir un évasement minimum de 3/16" le long de la totalité du balai de la raclette (voir figure 10).

1. Le corps de la raclette peut être incliné pour régler l'évasement central du balai afin que ce dernier corresponde à l'évasement des côtés. Pour régler l'inclinaison, déserrez le boulon de réglage situé sur les côtés gauche et droit de la raclette (voir figure 9).
2. Poussez la raclette vers le bas jusqu'à ce que les deux ensembles de roulettes de guidage soient en contact avec le sol.
3. Une fois les réglages effectués, resserrer les vis.

**REMARQUE :** Il est important que les roues de gauche et de droite soient en contact avec le sol pour que la raclette fonctionne.

**REMARQUE :** Au fur et à mesure de son usage, le balai de raclette arrière peut être tourné afin de pouvoir utiliser quatre bords neufs avant de devoir changer le balai.

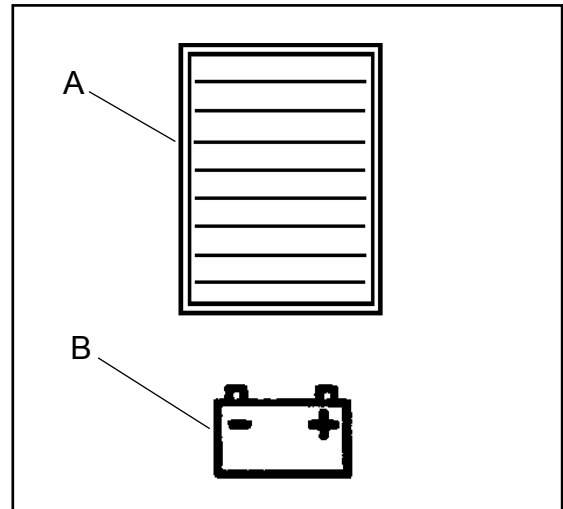


Figure 7

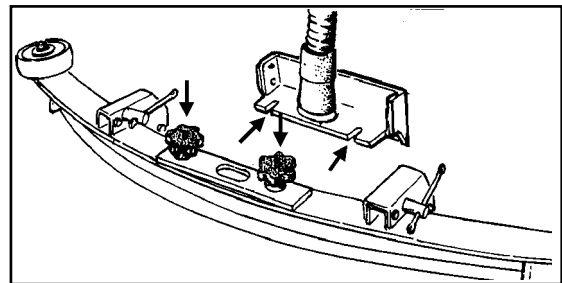


Figure 8

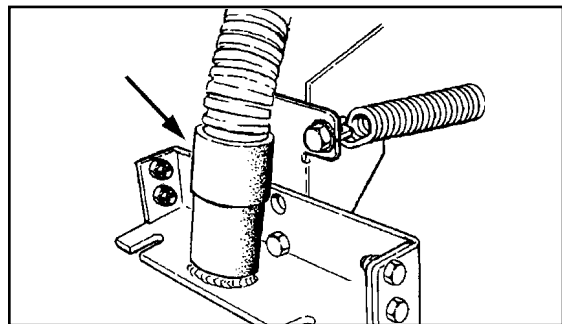


Figure 9

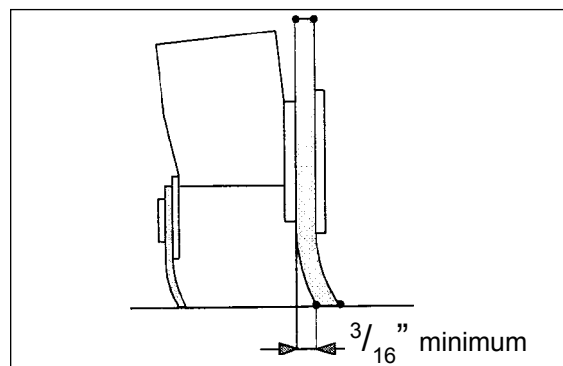


Figure 10

## Préparation de la machine avant son utilisation

### Comment changer ou faire pivoter les brosses sur la tête à brosse cylindrique.

Pour installer ou faire pivoter les brosses sur la tête à brosse cylindrique:

1. Soulever la structure de la brosse et tourner l'interrupteur à clé en position << Arrêt >> (OFF).
2. Soulever la jupe de la brosse et tirer pour la retirer. Voir figure 11.
3. Retirer la vis de serrage de la porte de la brosse. Voir figure 12.
4. Abaisser la porte à environ 3 cm, et retirer de la brosse l'assemblage du moyeu et de la porte en le faisant coulisser. Voir figure 13.
5. Retirer la brosse du moyeu à l'extrémité opposée en la faisant coulisser. Voir figure 14.
6. Faire pivoter la brosse ou la remplacer.
7. Faire coulisser la brosse sur le moyeu d'entraînement et insérez l'assemblage du moyeu et de la porte au centre de la brosse.
8. Soulever la porte et placer la vis de serrage.
9. Placer la jupe latérale sur les broches de fixation et l'abaisser pour la mettre en place.
10. Il est nécessaire de faire pivoter les brosses toutes les 20 heures d'utilisation environ.



Figure 11



Figure 12



Figure 13



Figure 14

## Préparation de la machine avant son utilisation

### Installation de brosse ou de disque (BOOST™)

Pour installer la brosse ou le disque sur la machine, procédez comme suit:

1. Mettez le commutateur à clé en position « ON ».
2. Mettez le commutateur de position des brosses en position « UP ».
3. Mettez le commutateur à clé en position « OFF ».
4. Allez à le côté de la machine.
5. Appliquez par pression une brosse ou un disque sous les plaques flexibles. Voir figure 15.

NOTE: Lorsque vous utilisez un disque noir, positionnez le disque sur la tête. Abaissez le tête et manœuvrez un moment pour appliquer le disque sur le porte-disque (en cas de difficulté, positionnez le disque sur le sol et abaissez la tête, puis manœuvrez).

### Retrait de brosse ou de disque (BOOST™)

Pour retirer la brosse ou le disque de la machine, procédez comme suit:

1. Mettez le commutateur à clé en position « ON ».
2. Mettez le commutateur de position des brosses en position « UP ».
3. Mettez le commutateur à clé en position « OFF ».
4. Allez à le côté de la machine.
5. Baissez en tirant sur la brosse ou le disque jusqu'à ce qu'elle ou il se dégage des plaques flexibles. Voir figure 16.

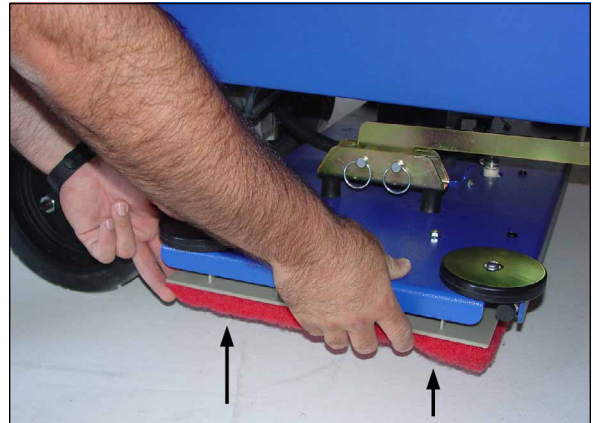


Figure 15

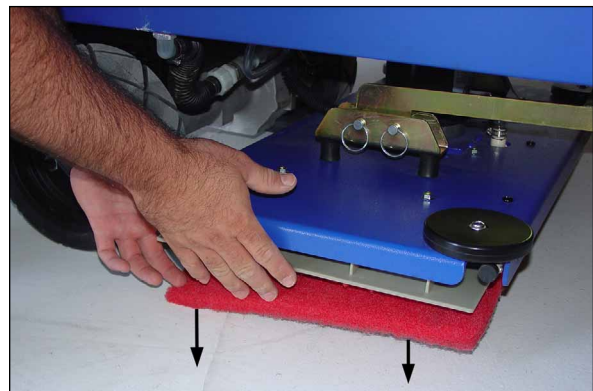


Figure 16



**Utilisation de la machine****Restauration des paramètres par défaut d'un bouton One Touch**

Pour restaurer les réglages d'usine, appliquez la procédure suivante :

1. Maintenez le bouton One Touch vert (figure 17) enfoncé jusqu'à ce que la machine émette *double bip*. **REMARQUE : le temps nécessaire est d'environ 15 secondes.**
2. Les réglages devraient revenir à 2 barres de solution et à 1 barre de pression pour les brosses. **REMARQUE : Le commutateur d'aspiration de la raclette doit être en position centrale pour correspondre aux réglages usine.**

**Déplacement de la machine sans alimentation électrique (voir figure 18)**

1. Enclenchez le relâchement manuel du frein (voir page 65, « Frein de stationnement »).
2. Retirez la plaque d'assise et les 4 vis, et localiser moteur de direction.
3. À l'aide du bouton sur le moteur de direction, tournez l'axe sur le moteur dans la direction dans laquelle vous souhaitez tourner la machine.
4. Pousser lentement la machine jusqu'à l'emplacement désiré. **REMARQUE : Si vous tentez de pousser la machine trop rapidement, la vitesse maximum sera réduite. Dans ce cas, arrêtez la machine et redémarrez.**
5. Après avoir déplacé la machine, désenclenchez le relâchement manuel du frein. **REMARQUE : La machine ne fonctionne pas lorsque le dispositif d'arrêt d'urgence manuel est activé.**

**Réglage du siège (standard)**

Le siège standard n'est pas réglable vers l'avant ou l'arrière:

**Réglage du siège (Deluxe)**

Le siège Deluxe en option est réglable de trois manières :

1. Le siège peut être réglé vers l'avant ou vers l'arrière à l'aide de la manette située du côté droit du siège. En déplaçant la manette, le siège pourra glisser jusqu'à la position désirée. Voir la figure 19.
2. Pour régler l'angle du dossier du siège, tournez la manette située au milieu du côté droit du siège. En tournant la manette dans le sens horaire, le dossier sera davantage ramené à la verticale. En tournant la manette dans le sens contraire, le dossier sera davantage incliné. Voir la figure 20, A.
3. Pour régler la suspension du siège et améliorer le confort de l'opérateur, utilisez la manette sur le côté du dossier du siège. Cette manette propose trois positions. La position supérieure est destinée aux opérateurs de faible poids. La position centrale est destinée aux opérateurs de poids moyen. La position inférieure est destinée aux opérateurs lourds. Voir la figure 20, B. **REMARQUE : Appuyez fermement sur la manette pour la changer de position.**

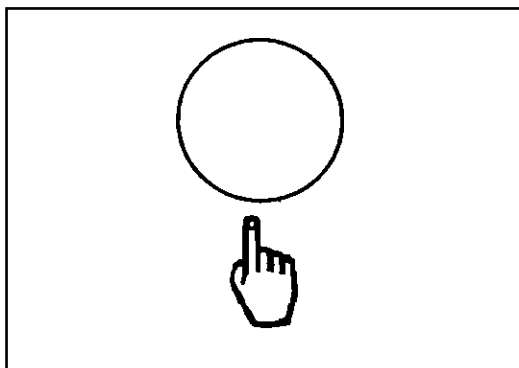


Figure 17

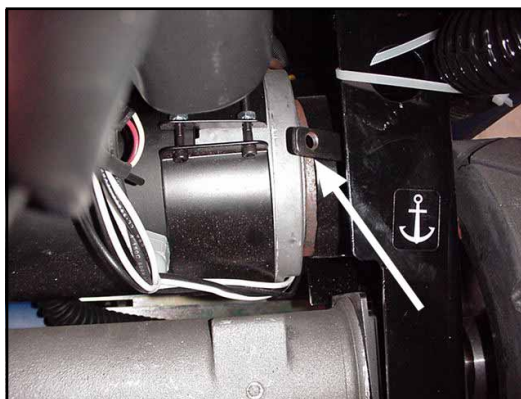


Figure 18

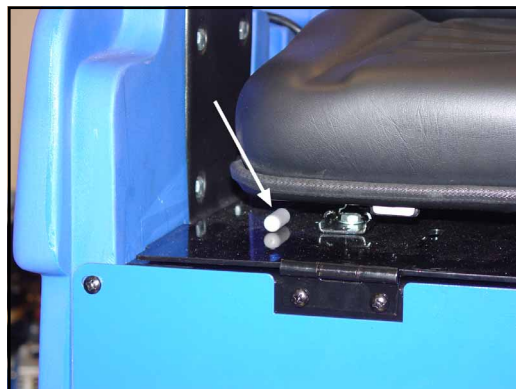


Figure 19



Figure 20



## Utilisation de la machine

### Lecture de l'indicateur du niveau de charge des batteries (voir figure 21. A)

L'indicateur du niveau de charge des batteries est situé sur l'afficheur LCD. Cet indicateur est situé sur l'afficheur LCD situé à l'avant de la machine. Il comporte 10 barres (10 barres visibles indiquent une pleine charge). Lorsque la machine fonctionne, le nombre de barres visibles commence à diminuer. L'icône « Batterie » (B) commence à clignoter lorsque le niveau de charge des batteries approche du minimum.

**REMARQUE :** Si vous continuez à utiliser les brosses, ces dernières s'arrêtent de fonctionner afin de protéger les batteries d'une décharge trop importante.

**REMARQUE :** Les durées de fonctionnement dépendent des variables de la machine, de la taille des batteries, de la pression d'applique et du type de sols, etc.

### Modification des écrans d'affichage du module LCD

L'afficheur LCD est composé de trois écrans. Deux d'entre eux sont accessibles à tout moment lorsque le commutateur à clé est en position « On ». Le premier écran indique l'état de la machine et le second correspond aux quatre compteurs horaire (figure 21).

Les deux écrans peuvent être visualisés par l'opérateur à l'aide du bouton Affichage (figure 22) situé sur le panneau de commandes à gauche du commutateur à clé. En appuyant sur ce bouton, l'opérateur peut faire défiler les affichages proposés par ces différents écrans.

Le troisième écran est destiné au diagnostic uniquement. Cet écran affiche toutes les défaillances susceptibles d'apparaître ou toutes les anomalies découvertes par le système. Lorsque l'écran de diagnostic apparaît, consultez le guide de dépannage pour trouver une solution convenable permettant de résoudre la panne indiquée par le code d'erreur.

### Lecture de l'indicateur du niveau de charge des batteries (voir figure 23. A)

L'indicateur de réservoir de solution vide est situé à l'avant de la machine sous l'afficheur LCD. Lorsque le réservoir de solution est presque vide, l'indicateur commence à clignoter pour indiquer à l'opérateur qu'il doit remplir ce réservoir.

**REMARQUE :** Les intervalles entre les remplissages dépendent du réglage de l'écoulement de la solution.

### Lecture de l'indicateur de réservoir de récupération plein (voir figure 23. B)

L'indicateur de réservoir de récupération plein est situé à l'avant de la machine sous l'afficheur LCD. Lorsque le réservoir de récupération est presque plein, l'indicateur commence à clignoter pour indiquer à l'opérateur qu'il doit vider ce réservoir. Le moteur d'aspiration s'arrête peu de temps après.

**REMARQUE :** Les intervalles entre les vidanges dépendent du réglage de l'écoulement de la solution et du type de sol.

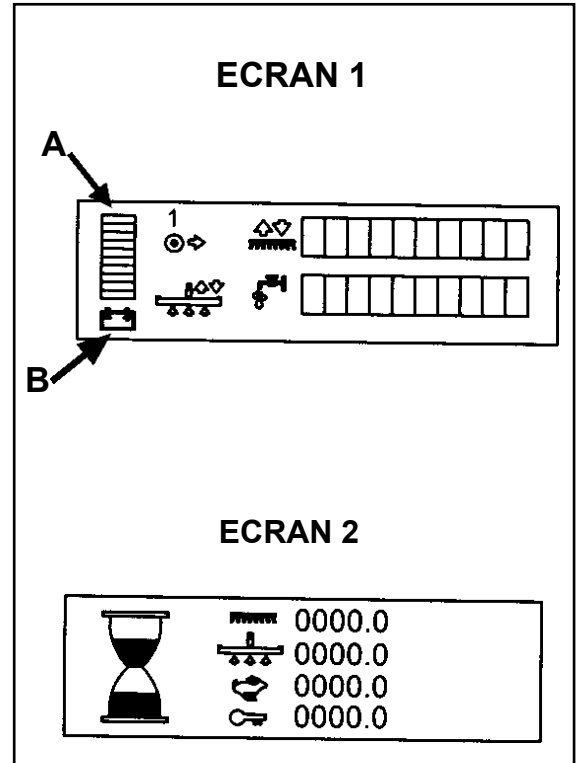


Figure 21

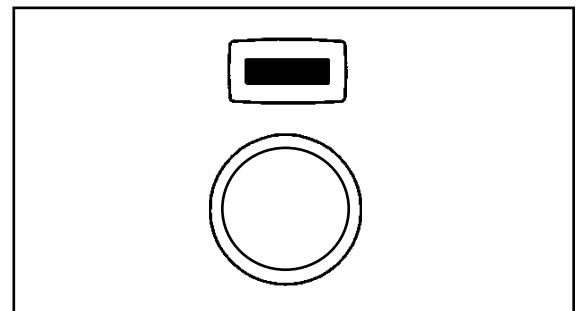


Figure 22

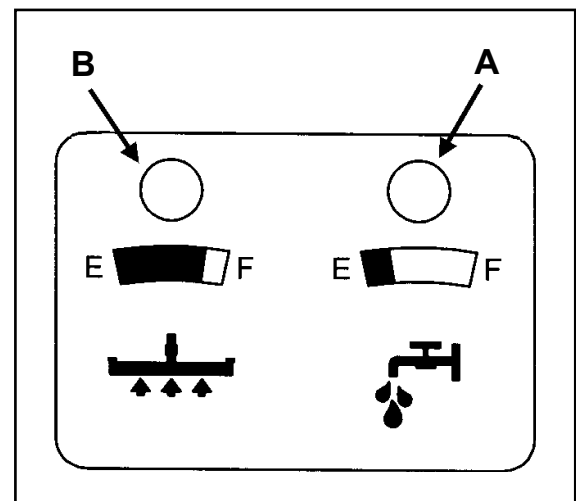


Figure 23

**Utilisation de la machine**

**Utilisation de la raclette et du moteur d'aspiration**

La raclette essue le sol tandis que le moteur d'aspiration enlève la solution sale du sol. Suivez la procédure ci-dessous pour utiliser la raclette :

1. Pour abaisser la raclette et mettre le moteur d'aspiration en marche, placez le commutateur raclette relevée/abaissée en position abaissée (figure 24). **REMARQUE : Le moteur d'aspiration démarre immédiatement lorsque le commutateur est mis en position basse et que la raclette s'abaisse.**
2. Pour relever la raclette, placez le commutateur de raclette en position haute (figure 24). La raclette remonte et le moteur d'aspiration s'éteint peu de temps après. **REMARQUE : La position centrale du commutateur de raclette est destinée à être utilisée avec le bouton One Touch.**

**REMARQUE :** La raclette remonte automatiquement lorsque la machine se déplace en marche arrière pendant les opérations de nettoyage.

**Réglage du débit de solution lavante**

La solution est utilisée pour désincruster et pour retirer la saleté du sol. La quantité de solution appliquée peut être réglée sur cinq niveaux différents afin de s'adapter à tous les sols, quel que soit leur état. Ces différents niveaux sont indiqués sur l'afficheur LCD situé à l'avant de la machine. Pour régler la quantité de solution appliquée, utilisez le commutateur de réglage du débit (figure 25). **REMARQUE : Cinq réglages différents sont proposés par l'afficheur. Voir la figure 26, A.**

Pour augmenter l'écoulement de la solution :

1. Appuyez sur le côté « + » du commutateur (figure 25).
2. Maintenez le côté « + » du commutateur enfoncé jusqu'à atteindre l'écoulement désiré pour la solution.

Pour diminuer l'écoulement de la solution :

1. Appuyez sur le côté « - » du commutateur (figure 25).
2. Maintenez le côté « - » du commutateur enfoncé jusqu'à atteindre l'écoulement désiré pour la solution.

**Réglage de la pression exercée sur les brosses**

Les brosses sont utilisées pour assurer l'agitation de la solution, ce qui améliore le processus de nettoyage. L'importance de la pression appliquée peut être réglée sur cinq niveaux différents afin de s'adapter à tous les sols, quel que soit leur état. Ces différents niveaux sont indiqués sur l'afficheur LCD situé à l'avant de la machine (figure 26,B). Pour régler la pression d'applique sur les brosses, utilisez le commutateur des brosses (figure 27).

Pour augmenter la pression des brosses :

1. Pressez le côté « + » du l'interrupteur (figure 27).
2. Pressez et maintenez l'interrupteur « + » pour atteindre le niveau maximum de pression.

Pour réduire la pression des brosses :

1. Pressez le côté « - » du l'interrupteur (figure 27).
2. Pressez et maintenez l'interrupteur « - » pour atteindre le niveau minimum de pression ou aucune pression.

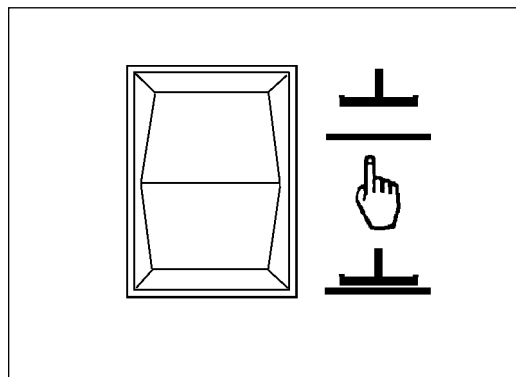


Figure 24

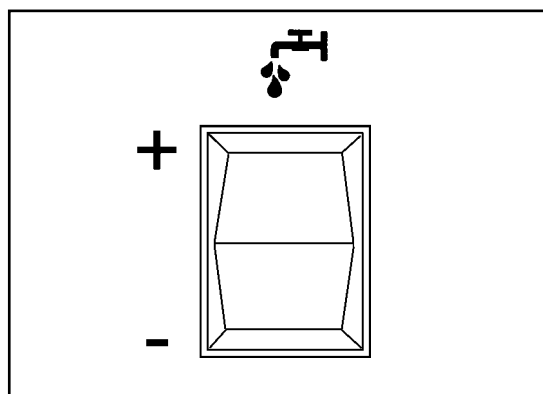


Figure 25

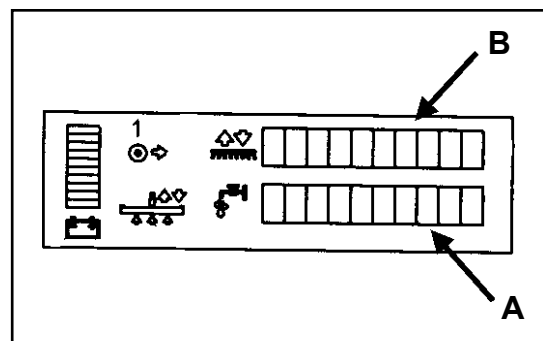


Figure 26

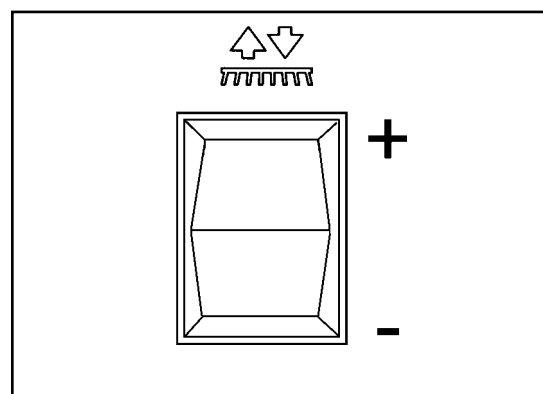


Figure 27

## Utilisation de la machine

### Comment fonctionner le commutateur d'avant et inverse

(voir figure 28).

1. Pour avancer, pousser le côté du commutateur avec l'augmente la flèche.
2. Pour aller en sens inverse, pousser le côté de flèche descendante du commutateur.

### Remplissage du réservoir de solution

L'orifice de remplissage du réservoir de solution est situé du côté gauche de la machine (voir figure 29). Appliquez la procédure suivante pour remplir le réservoir de solution :

1. Mettez le commutateur à clé en position « OFF ».
2. Retirez le bouchon.
3. Ajoutez un agent chimique nettoyant dans le réservoir de solution. Consultez les instructions données sur le bidon pour déterminer la quantité de produit nettoyant nécessaire. **REMARQUE : Un excès de mousse dans le réservoir de récupération risquerait d'endommager le moteur d'aspiration : n'utilisez que la quantité de détergent minimum nécessaire.**

**⚠ AVERTISSEMENT : N'utilisez que des détergents ne générant que peu de mousse. Afin d'éviter la production de mousse, mettez une petite quantité de liquide anti-mousse dans le réservoir de récupération avant de commencer le nettoyage. NE JAMAIS UTILISER D'ACIDE PUR.**

4. Remplissez le réservoir de solution d'eau propre (voir figure 29).
5. Après avoir rempli le réservoir de solution, remplacez le bouchon du réservoir de solution.

**⚠ AVERTISSEMENT : Les solutions aqueuses ou les produits de nettoyage utilisés avec ce type de machine peuvent laisser des zones humides au sol. Ces zones peuvent s'avérer dangereuses pour l'opérateur et pour les autres personnes. Veillez à toujours placer une pancarte ATTENTION à proximité de la zone que vous nettoyez.**

**⚠ AVERTISSEMENT : Les machines peuvent enflammer les matériaux inflammables et les vapeurs. N'utilisez pas cette machine avec ou à proximité de combustibles, de poussière agro-alimentaire, de solvants, de diluants ou de toute autre substance inflammable. N'utilisez que la concentration de liquide de nettoyage recommandée par le fabricant du produit.**

**⚠ AVERTISSEMENT : Clarke recommande une température d'eau maximum de 49°C.**

### Utilisation de la machine

**REMARQUE :** Avant de nettoyer un sol avec la machine, familiarisez-vous avec le fonctionnement et la manipulation de la machine. Faites fonctionner la machine à la plus petite vitesse de déplacement proposée. Utilisez la machine dans une zone ne comportant pas de meubles ou d'objets jusqu'à ce que vous soyez capable de réaliser les actions suivantes :

1. Faire avancer la machine en ligne droite, en marche avant et en marche arrière.
2. Arrêter la machine en toute sécurité.
3. Faire tourner la machine à gauche et à droite puis revenir à une progression en ligne droite.
4. Faire un virage à 180° sur place (une roue arrière doit rester sur place).

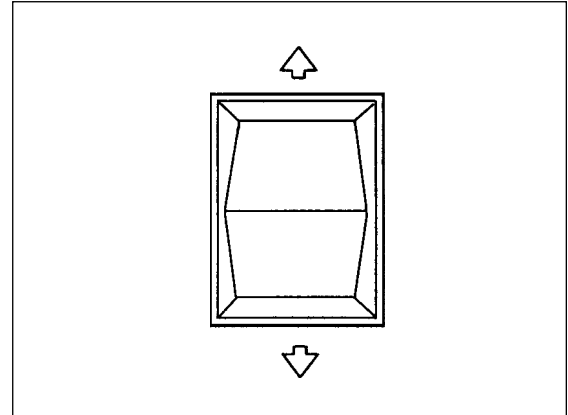


Figure 28



Figure 29

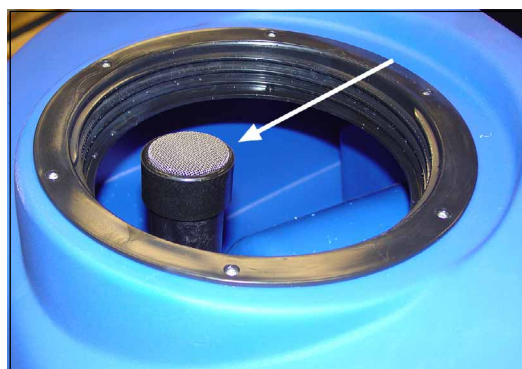
**Utilisation de la machine (suite)**

Suivez la procédure ci-dessous pour faire avancer la machine :

1. S'asseoir sur le siège du conducteur. **REMARQUE : La machine n'avancera pas si l'opérateur n'est pas correctement assis.**
2. Mettez le commutateur à clé en position « ON ».
3. Relevez la brosse à sa position la plus haute (si nécessaire).
4. Relevez la raclette (si nécessaire).
5. Appuyez doucement sur de la pédale de pied et la machine commence alors à bouger.
6. Pour arrêter la machine, relâcher de la pression sur la pédale de pied.
7. Pour voyager en sens inverse, choisir l'inverse avec le commutateur en avant et l'inverse.
8. Pour vous arrêter, relâchez la pédale de pied.
9. Lorsque vous arrêtez la machine, tournez le commutateur à clé en position « OFF » et retirez la clé.

**Procédures à appliquer au début de la session de travail**

1. Assurez-vous que le commutateur à clé est en position « OFF ».
2. Débranchez le cordon d'alimentation CA du chargeur de batterie (suivez les indications de la notice d'utilisation du chargeur).
3. Assurez-vous que l'écran du filtre (1) au niveau du moteur d'aspiration est propre et correctement installé dans le réservoir de récupération (voir figure 30).
4. Assurez-vous que le bouchon du réservoir de récupération est en place et qu'il a été resserré (voir figure 31).
5. Refermez bien le bouchon de l'embout de nettoyage inférieur (si équipé) du réservoir de récupération.
6. Assurez-vous que le bouchon mâle du flexible de vidange du réservoir de récupération est bien en place et qu'il a été serré (voir figure 32).
7. Assurez-vous que les brosses/tampons sont en position et correctement installés.
8. Assurez-vous que les compartiments des brosses sont en position sur la tête de brosse.

**Figure 30****Figure 31****Figure 32**

## Utilisation de la machine

### Nettoyage d'un sol

**⚠ AVERTISSEMENT :** Les solutions aqueuses ou les produits de nettoyage utilisés avec ce type de machine peuvent laisser des zones humides au sol. Ces zones peuvent s'avérer dangereuses pour l'opérateur et pour les autres personnes. Veillez à toujours placer une pancarte ATTENTION à proximité de la zone que vous nettoyez.

Pour effectuer un nettoyage automatique à l'aide du bouton One Touch, suivez la procédure ci-dessous :

1. Mettez le commutateur à clé en position « OFF ».
2. Mettez de l'eau et un agent chimique nettoyant dans le réservoir de solution.
3. Asseyez-vous sur le siège du conducteur. **REMARQUE :** la machine n'avancera pas si l'opérateur n'est pas correctement assis.
4. Mettez le commutateur à clé en position « ON ». **REMARQUE :** Le commutateur à clé met la batterie sous tension et allume les voyants DEL de l'écran, qui indiquent l'état de la machine.
5. Le tableau de commande avant de machine est équipé d'un bouton One Touch (voir figure 33) qui est pré-programmé selon le débit d'écoulement de la solution et selon la pression d'applique sur les brosses par défaut. Appuyez brièvement sur ce bouton One Touch pour utiliser ces réglages. **REMARQUE :** Si ces réglages ne sont pas adaptés à vos besoins, consultez la page 72 ou la section « Utilisation du bouton One Touch ».

Pour contrôler manuellement le processus de nettoyage, appliquez la procédure suivante :

1. Mettez le commutateur à clé en position « OFF ».
2. Mettez de l'eau et un agent chimique nettoyant dans le réservoir de solution.
3. Asseyez-vous sur le siège du conducteur. **REMARQUE :** la machine n'avancera pas si l'opérateur n'est pas correctement assis.
4. Mettez le commutateur à clé en position « ON ». **REMARQUE :** Le commutateur à clé met la batterie sous tension et allume les voyants DEL de l'écran, qui indiquent l'état de la machine.
5. Abaissez la raclette. **REMARQUE :** Lorsque le commutateur de raclette est en position inférieure, le moteur d'aspiration se met en route.
6. Abaissez la tête de brossage jusqu'à ce qu'elle soit entièrement abaissée. **REMARQUE :** Les brosses ne commenceront à tourner que lorsque la machine commencera à avancer.
7. Réinitialisez la valem d'écoulement de la solution à l'aide du commutateur de solution + / -. **REMARQUE :** La solution ne commencera à s'écouler que lorsque la machine commencera à avancer.
8. Après quelques mètres de nettoyage, vérifiez que la quantité de solution appliquée est correcte et que la raclette récupère bien l'eau et sèche le sol. Procédez aux réglages nécessaires.
9. Une fois la machine correctement réglée, continuez le nettoyage jusqu'à ce que l'indicateur de réservoir de solution vide s'allume ou jusqu'à ce que vous tombiez en panne de solution.

**REMARQUE :** Lorsque vous effectuez des passages multiples sur un sol, faites se chevaucher les couloirs de nettoyage d'environ 5 cm.

**REMARQUE :** Lors de la plupart des opérations de nettoyage, vous appliquerez et retirerez la solution en une seule et même opération.

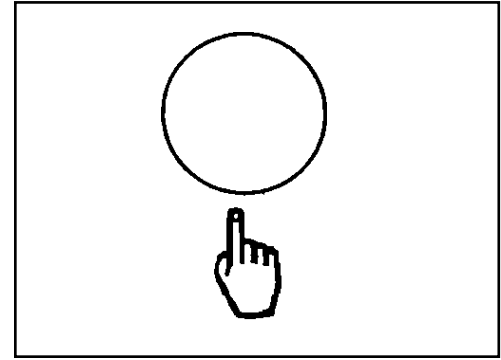


Figure 33

**Utilisation de la machine****Nettoyage d'un sol très sale**

Pour nettoyer un sol très sale, appliquez la procédure suivante:

1. Appliquez la solution sur le sol.
2. N'abaissez pas la raclette. Ceci couperait le moteur d'aspiration.
3. Abaissez la brosse ou le tampon et nettoyez le sol.
4. Nettoyez de nouveau le sol à l'aide d'une solution additionnelle et abaissez la raclette.
5. Récupérez toute la solution à l'aide de la raclette.

**Procédures à appliquer à la fin de la session de travail**

Une fois le travail terminé et avant toute opération de maintenance, appliquez les procédures suivantes :

Pour un arrêt du processus de nettoyage au moyen d'un bouton One Touch, appuyez et relâchez le bouton One Touch.

Pour un arrêt manuel, appliquez la procédure suivante :

1. Stoppez l'écoulement de la solution en diminuant le débit au minimum.
2. Placez le commutateur des brosses en position supérieure jusqu'à ce que les brosses soient relevées au maximum.
3. Mettez le commutateur des raclettes en position supérieure pour relever la raclette et laissez le moteur d'aspiration fonctionner. Ce dernier fonctionnera encore 20 secondes. Puis, mettez le commutateur des raclettes en position supérieure. Ceci permet de couper le moteur d'aspiration.
4. Garez la machine à proximité d'un point d'écoulement des eaux.
5. Mettez le commutateur à clé en position « OFF ».
6. Débranchez le flexible de vidange de son compartiment.
7. Placez l'extrémité du flexible au-dessus d'un point d'écoulement des eaux ou d'un seau.
8. Tournez le valve vers la gauche (voir figure 34).
9. Pour ouvrir complètement la valve, tournez le robinet entièrement vers la gauche. Enlevez la protection de la valve.
10. Videz le réservoir de récupération. **REMARQUE : Lorsque le flexible est abaissé en-dessous du niveau de l'eau, cette dernière commence à s'écouler.**



**Figure 34**

**⚠ AVERTISSEMENT : Utilisez des gants pour protéger vos mains de tout contact avec des solutions dangereuses lorsque vous effectuez les opérations suivantes.**

## Utilisation de la machine

- Rincez le réservoir. Mettez de l'eau propre dans le réservoir jusqu'au niveau de l'ouverture supérieure. Veillez à ne pas faire pénétrer d'eau dans le tuyau d'entrée d'aspiration (à l'aide de l'écran).
- Si le réservoir ou le tuyau de récupération sont bouchés, utilisez de l'eau sous pression pour les déboucher. Insérez le tuyau d'eau dans le tuyau de récupération (figure 35, A). **REMARQUE : Ne placez pas le tuyau d'eau dans le tube d'admission de l'aspirateur (voir figure 35, B), car vous risquez d'endommager l'appareil.**

Le tuyau de récupération (figure 35, A) se situe du côté droit du tuyau d'admission de l'aspirateur (voir figure 35, B). Le tuyau de récupération est flexible, ce qui vous permet de le déplacer vers l'avant pour accéder facilement au tuyau d'eau afin de rincer la conduite.

- Ne séchez pas le réservoir et l'embout de vidange avec de l'air.
- Vérifiez le balai de la raclette. Utilisez un chiffon pour nettoyer le balai de la raclette. Si le balai de la raclette est abîmé ou usé, retournez-le ou remplacez-le.

**REMARQUE :** Afin de ne pas être endommagée, la raclette doit être relevée lorsque la machine ne fonctionne pas.

- Retirez les brosses et nettoyez-les à l'aide d'un jet d'eau.
- Utilisez un chiffon propre pour essuyer la surface de la machine.
- Vérifiez les batteries et ajoutez de l'eau distillée si nécessaire. Le niveau correct se situe entre 1/2 cm en-dessous du fond du tube de chacun des compartiments et au-dessus du sommet des plaques. Consultez les instructions données dans la section de ce Manuel intitulée « Entretien de la batterie ».

**⚠ MISE EN GARDE :** L'eau du robinet peut contenir des contaminants qui risquent d'endommager les batteries. Les batteries ne doivent être remplies qu'avec de l'eau distillée.

**⚠ AVERTISSEMENT :** Les batteries au plomb génèrent des gaz susceptibles de provoquer une explosion. **NE PAS FUMER.** Portez toujours des lunettes et des vêtements de protection lorsque vous travaillez à proximité des batteries.

- Chargez les batteries. Consultez les instructions données dans la section de ce Manuel intitulée « Rechargement de la batterie ».

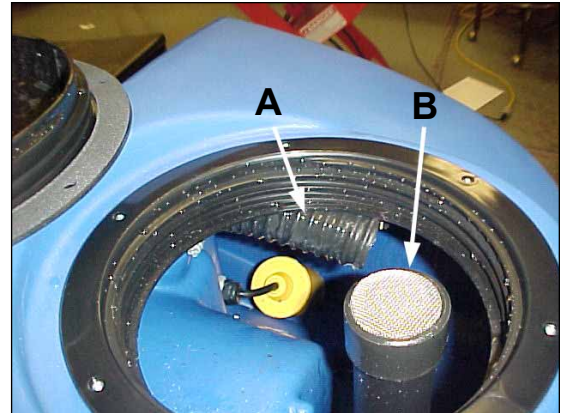


Figure 35



**Entretien****TÂCHES DE Maintenance à effectuer toutes les semaines**

**⚠ AVERTISSEMENT** : L'entretien et les réparations ne doivent être effectués que par un technicien agréé. Videz toujours les réservoirs de solution et de récupération avant toute opération de maintenance. Veillez à ce que tous les dispositifs de fixation soient serrés.

**⚠ AVERTISSEMENT** : Portez toujours des lunettes et des vêtements de protection lorsque vous travaillez à proximité des batteries. **NE PAS FUMER !** Ne placez aucun outil, ni aucun autre objet métallique sur les bornes de la batterie ou sur le dessus des batteries.

**⚠ MISE EN GARDE** : Afin d'éviter d'endommager la machine, et d'éviter tout débordement de la batterie, ne remplissez pas les batteries au-delà du sommet du tube de chaque compartiment. Essuyez toute trace d'acide présente sur la machine ou au sommet des batteries. N'ajoutez jamais d'acide dans les batteries une fois celles-ci installées.

**Inspection et nettoyage des batteries**

1. Mettez le commutateur à clé en position « OFF ».
2. Pour inspecter les batteries, inclinez la base du siège vers l'avant. Soulevez et faites pivoter le réservoir de récupération. Vérifiez que le réservoir de récupération est vide avant de le soulever.
3. Déconnectez les batteries. Utilisez un chiffon et une solution d'ammoniaque ou de bicarbonate de soude pour essuyer le dessus des batteries. Nettoyez les bornes de la batterie. Reconnectez les batteries. Consultez les instructions données dans la section de ce Manuel intitulée « Entretien de la batterie ».
4. Une fois l'inspection des batteries terminée, refermez le réservoir de récupération. Replacez le support du siège dans sa position normale.

**Nettoyage du réservoir de récupération et du filtre**

1. Mettez le commutateur à clé en position « OFF ».
2. Videz le réservoir de récupération à l'aide du tuyau de vidange flexible en dévissant le bouton et en retirant le bouchon (voir figure 36).
3. Si la machine est équipée d'un embout de nettoyage optionnel, ouvrez le couvercle de l'orifice de nettoyage inférieur en dévissant les quatre boutons (voir figure 37). **REMARQUE** : avant toute chose, assurez-vous que le réservoir est vide.
4. Rincez le réservoir et nettoyez le bouchon de vidange.



Figure 36

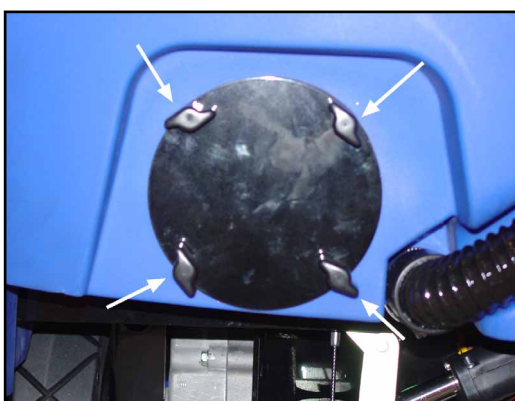


Figure 37



## Entretien

- Nettoyez le raccord de flexible du réservoir de récupération et pulvérisez de l'eau dans le flexible de la raclette pour éliminer les déchets.
- Refixez le flexible de la raclette.

### Nettoyage du réservoir de solution et du filtre

- Déplacez la machine de sorte que le filtre du réservoir de solution soit orienté vers un point d'écoulement des eaux au sol.
- Mettez le commutateur à clé en position « OFF ».
- Nettoyer l'intérieur du réservoir de solution à l'aide d'un jet d'eau.
- Refermez la valve d'écoulement de la solution.
- Nettoyez le filtre intérieur et réinstallez-le sur la machine.

### Vidange manuelle du réservoir de solution

- Retirez le flexible de la jauge visuelle du connecteur supérieur (voir figure 38).
- Faites pivoter l'embout inférieur pour permettre au flexible de vidange de reposer sur le point d'écoulement.
- Vidangez le réservoir de solution (voir figure 39).

### Vidange du réservoir de solution à l'aide du moteur d'aspiration

- Retirez le flexible d'aspiration de la plaque des raclettes.
- Allumez l'aspirateur.
- Retirez le flexible de solution et connectez-le au flexible d'aspiration jusqu'à ce que le laveur repose contre le manchon du flexible.

**REMARQUE : L'utilisation du moteur d'aspiration vous aidera à rincer le réservoir de récupération. Ceci vous permettra de réduire les temps de nettoyage et de maintenance.**

### Entretien de la raclette

Nettoyez la raclette à l'aide d'un jet d'eau et d'un chiffon humide. Contrôlez l'usure des balais des raclettes avant et arrière. Réglez ou remplacez si nécessaire.

### Remplacement de la lame de la raclette avant

Pour remplacer le balai de la raclette avant, appliquez la procédure suivante :

- Déposez la raclette de la machine.
- Retirez la fixation et le balai de raclette avant.
- Installez un nouveau balai de raclette avant et remettez la fixation en place.
- Remontez la raclette sur la machine.



Figure 38



Figure 39

**Entretien****Remplacement de la lame de la raclette arrière**

Si le balai de la raclette arrière est usé et qu'il ne sèche pas bien le sol, suivez la procédure ci-dessous :

1. Déposez la raclette de la machine.
2. Déposez le balai de la raclette et inspectez-le.
3. Faites pivoter le balai de la raclette afin de disposer d'une face de nettoyage neuve. Remplacez le balai si nécessaire.
4. Réinstallez le balai de la raclette.
5. Réinstallez le bloc raclette sur la machine.
6. Refaites les réglages nécessaires de la raclette (voir « Réglage de la raclette »).

**Entretien de la raclette**

Le balai de la raclette peut être tourné d'un quart de tour afin d'augmenter sa durée de vie.

Maintenez un coin aiguë sur le sol pour de meilleurs résultats de nettoyage. Voir la figure 39. To rotate, suivez cette procédure :

1. Retirez la bride de fixation.
2. Déposez le balai et faites le pivoter sur une nouvelle face.
3. Remettez la raclette en place.
4. Remettez la bride de fixation en place.

**Nettoyage des flexibles d'aspiration**

Assurez-vous que la raclette est au-dessus d'un point de vidange adapté.

1. Utilisez un tuyau d'arrosage pour rincer les flexibles de récupération.
2. **Raclette latérale** - Orientez le tuyau d'arrosage vers la raclette latérale du flexible et rincez abondamment.
3. **Flexible de récupération** - Placez le tuyau d'arrosage dans le réservoir de récupération. Le tuyau de récupération se situe à l'arrière de la bague fileté (voir figure 41, A). **REMARQUE : Ne placez pas le flexible dans une entrée d'aspiration (voir figure 41, B) afin d'éviter tout endommagement.**



Figure 40

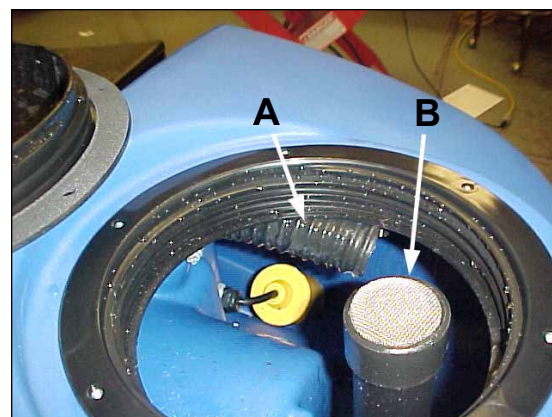


Figure 41

**RESOLUTION DES PROBLEMES RENCONTRES AVEC LA MACHINE**

<b>PROBLEME</b>	<b>CAUSE</b>	<b>ACTION</b>
<b>Il n'y a pas assez d'eau sur les brosses</b>	<p>Le débit d'écoulement de la solution n'a pas été réglé.</p> <p>Il n'y a pas d'eau dans le réservoir de solution.</p> <p>Le filtre de solution est sale.</p> <p>Un coupe-circuit s'est enclenché.</p> <p>Débit insuffisant.</p>	<p>Vérifiez le réglage du débit d'écoulement.</p> <p>Remplissez le réservoir de solution.</p> <p>Nettoyez le filtre de la solution.</p> <p>Initialisez le coupe-circuit.</p> <p>Augmentez le débit d'écoulement à l'aide du commutateur de solution.</p>
<b>La machine ne nettoie pas de manière satisfaisante</b>	<p>Les brosses sont usées.</p> <p>L'utilisation d'un type de brosse/tampon différent est nécessaire.</p>	<p>Vérifiez les brosses et remplacez-les si nécessaire. (les brosses doivent être remplacées lorsque les poils atteignent une hauteur de 15 mm environ).</p> <p>Utilisez un type de brosse différent. Pour les opérations de nettoyage sur des sols où la saleté s'avère être particulièrement résistante, nous vous recommandons d'utiliser des brosses spéciales. Consultez la page Accessoires.</p>
<b>La raclette ne sèche pas le sol.</b>	<p>La raclette est sale.</p> <p>Le flexible de vidange du réservoir de récupération n'est pas fermé.</p> <p>Les flexibles d'aspiration doivent être nettoyés.</p> <p>Les balais de la raclette sont usés.</p>	<p>Nettoyez la raclette.</p> <p>Refermez l'embout de vidange.</p> <p>Nettoyez les flexibles d'aspiration. Consultez la section « Entretien de routine ».</p> <p>Remplacez ou retournez les balais de la raclette. Consultez la section « Entretien de routine ».</p>
	<p>Le réservoir de récupération est plein.</p>	<p>Vidangez le réservoir de récupération.</p>
<p><b>Le moteur d'aspiration ne fonctionne pas.</b></p> <p><b>La machine ne démarre pas</b></p>	<p>Le commutateur de raclette n'est pas en position basse ou centrale.</p> <p>L'opérateur n'est pas assis correctement.</p> <p>Le commutateur à clé n'est pas en position « ON ».</p> <p>Le chargeur est toujours branché.</p> <p>Les batteries ne sont pas rechargées ou ne sont pas connectées correctement.</p> <p>Le coupe-circuit s'est enclenché.</p>	<p>Placez la raclette en position basse ou centrale ou reprogrammez le bouton One Touch.</p> <p>L'opérateur doit être assis correctement au poste de conduite.</p> <p>Mettez le commutateur à clé en position « ON ».</p> <p>Débranchez le cordon d'alimentation CA de la prise murale.</p> <p>Assurez-vous que les batteries sont correctement connectées et rechargez-les si nécessaire.</p> <p>Initialisez le coupe-circuit.</p>
<p><b>Les moteurs des brosses ne fonctionnent pas.</b></p> <p><b>AVERTISSEMENT : Afin d'éviter d'endommager le sol, le moteur ne démarre que lorsque la machine commence à avancer.</b></p>	<p>Les brosses ne sont pas abaissées.</p> <p>Les batteries ne sont pas rechargées ou ne sont pas connectées correctement.</p> <p>Mauvaise connexion électrique des brosses.</p>	<p>Abaissez les brosses.</p> <p>Assurez-vous que les batteries sont correctement connectées et rechargez-les si nécessaire.</p> <p>Branchez la connexion électrique des brosses.</p>

### Laveuse FOCUS Rider

#### Codes d'erreurs courantes

<b>CODE ERREUR</b>	<b>CAUSE</b>	<b>ACTION</b>
1500 1501 1507	Contrôlez qu'il n'y a pas de courts-circuits dans les freins et les câblages.	Assurez-vous que la neutralisation manuelle n'est pas embrayée.
1600	Tension élevée de la batterie.	Connexion mauvaise ou corrodée à la batterie.
3100 3101 3102 3103 3104 3105	Court-circuit probable du dispositif de sorite.	Contrôlez la traction, les connexions des moteurs des brosses et de l'aspirateur sur le trio et contrôlez le câblage de ces connecteurs à la traction et aux moteurs des brosses et de l'aspirateur.
7600	Circuit ouvert sur les moteurs des brosses ou le câblage des moteurs des brosses.	Contrôlez la connexion du moteur de la brosse sur le trio et contrôlez le câblage de ce connecteur au moteur de la brosse.
7603	Court-circuit possible sur les moteurs des brosses ou le câblage.	
7700	Circuit ouvert sur le moteur de l'aspirateur.	Contrôlez le connecteur au trio et le moteur de l'aspirateur.
7800	Circuit ouvert sur le moteur de traction.	Contrôlez la connexion du moteur de traction sur le trio et le câblage jusqu'au moteur.
7802	Le courant du moteur de traction a dépassé la limite de courant pour le temps de repli.	Utilisation excessive sur une pente ou machine bloquée sur un obstacle ou une marche.
9000	Brosses non installées.	Placez des brosses ou patins sur la machine.
2F01	Système d'entraînement activé avant de tourner la clé sur la position « ON » (« Marche »).	Désengagez l'interrupteur latéral et réactivez.

---

# **Clarke<sup>®</sup>**

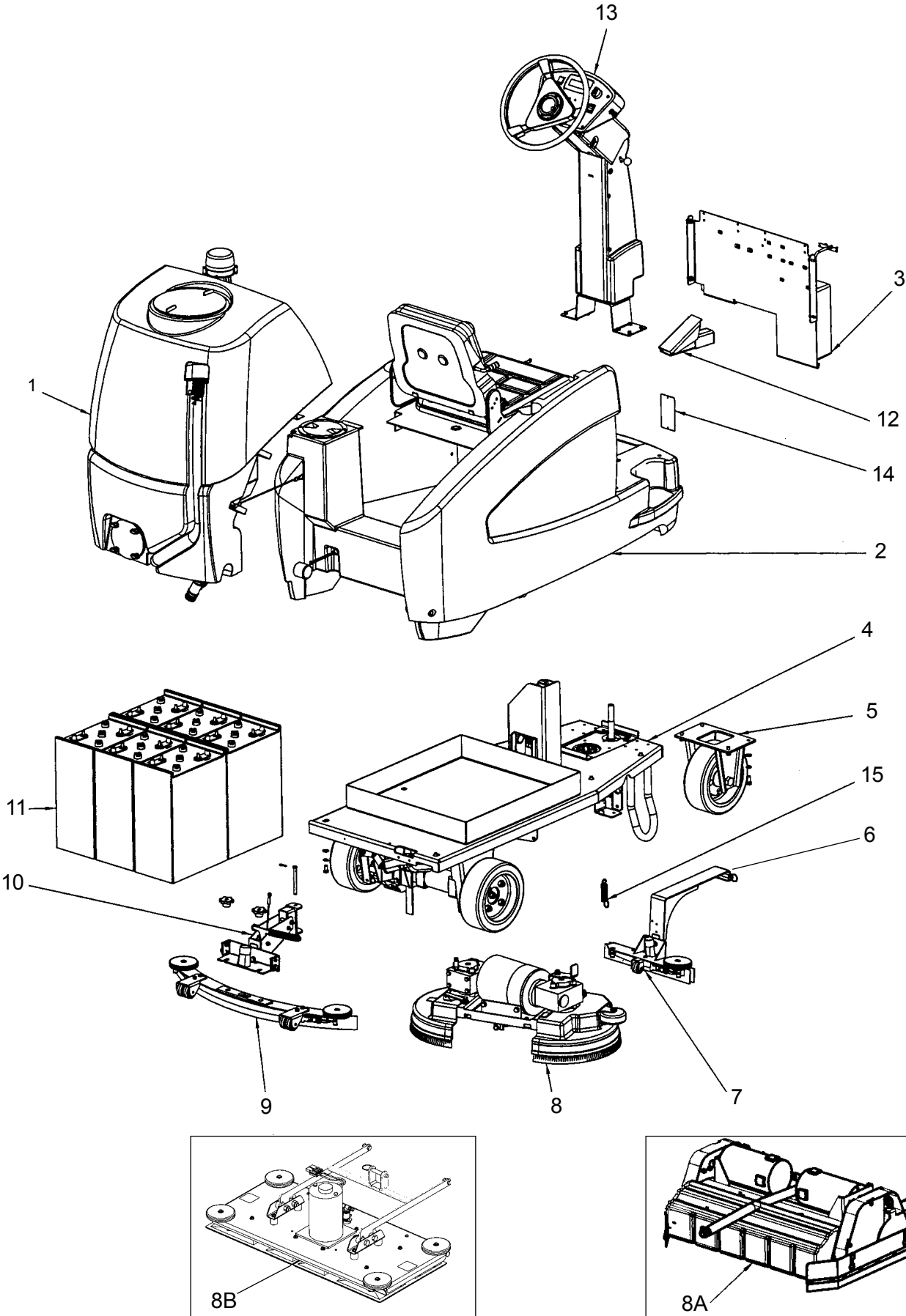
## **FOCUS Rider Scrubber**

### **Section II Parts and Service Manual**

(71171A)

**U.S. Patent No. 6,105,192; No. RE39,581; No. 6,557,207; No. 7,185,397; and Patents Pending  
Canada Patent No. 2,353,279 (Deluxe Machines)**

Clarke®  
 FOCUS Rider Scrubber  
 Final Assembly Drawing 8/06

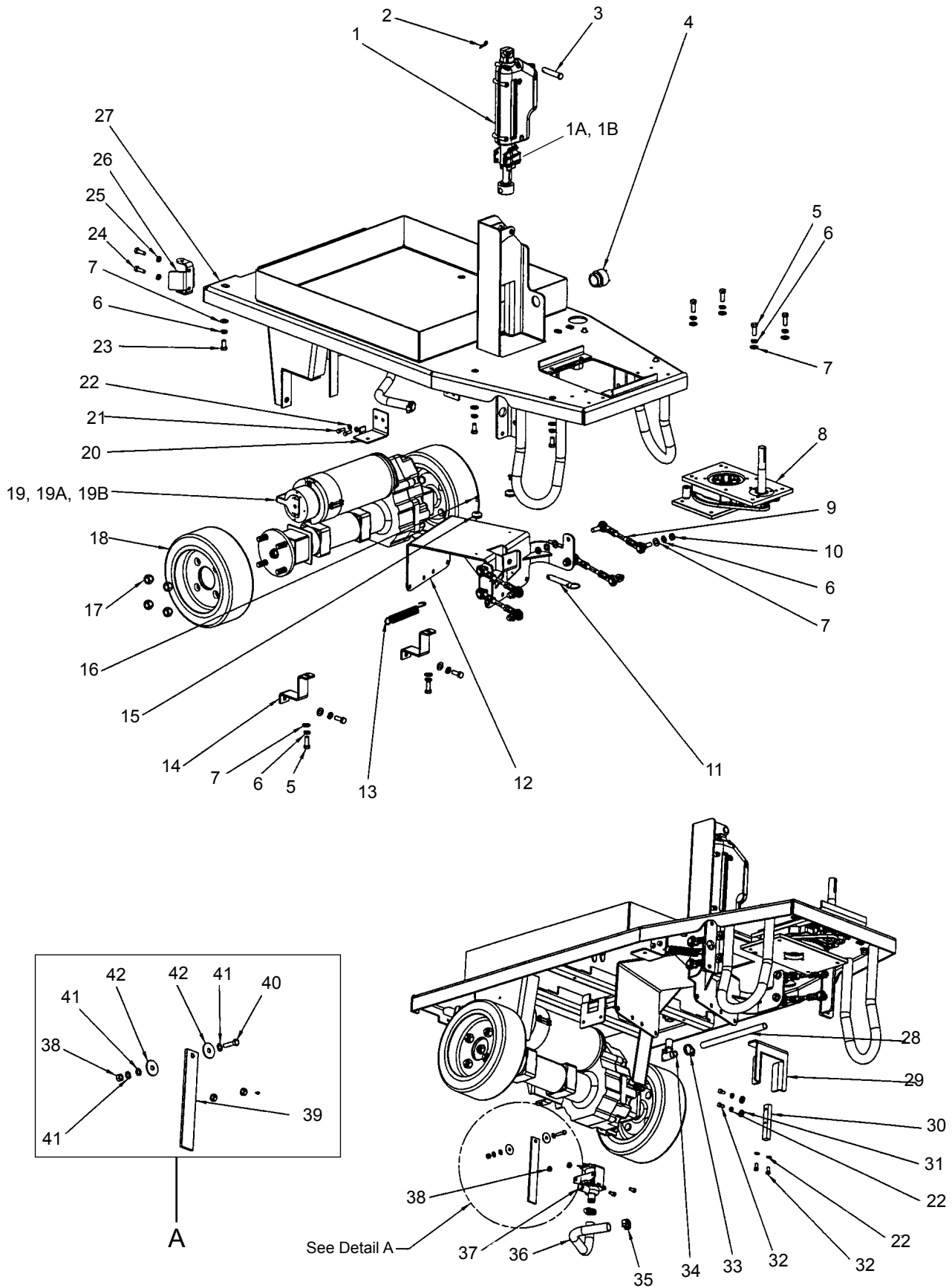


**Clarke®**  
**FOCUS Rider Scrubber**  
**Final Assembly Parts List 11/06**

Ref	Part No.	Description	Qty		
			Rotary	Cyl.	Boost
1	pg 100-101	Tank, Recovery (Assembly)	1	-	-
	pg 100-101	Tank, Recovery (Assembly)	-	1	1
2	pg 102-105	Tank, Solution (Assembly)	-	-	1
	pg 102-105	Tank, Solution (Assembly)	1	1	-
3	pg 118	Plate, Electrical (28")	1	-	-
	pg 118	Plate, Electrical (34")	1	-	-
	pg 118	Plate, Electrical (Cyl.)	-	1	-
	pg 118	Plate, Electrical (Boost)	-	-	1
4	pg 90-91	Mainframe, Main Asm. (Rotary)	1	-	-
	pg 92-93	Mainframe, Main Asm. (Boost)	-	-	1
	pg 94-95	Mainframe, Main Asm. (Cyl.)	-	1	-
5	pg 98	Wheel, Front Steering	1	1	1
6	pg 117	Arm, Sec. Squeegee Lift	1	-	-
7	pg 116	Squeegee, Secondary	1	-	-
8	pg 108	Assembly, 28" Rotary Brush Head	1	-	-
	pg 109	Assembly, 34" Rotary Brush Head	1	-	-
8A	pg 110-111	Assembly, 28" Cyl. Brush Head	-	1	-
8B	pg 112-113	Assembly, 32" Boost Head	-	-	1
9	10802A	Assembly, Squeegee 32"	1	-	-
	11041L	Assembly, Squeegee 41"	1	1	1
10	pg 99	Arm, Rear Squeegee Lift	1	1	1
11	40704A	Pack, Battery 370 A.H.	1	1	1
12	53767A	Pedal, Accelerator	1	1	1
13	11087A	Column, Steering Asm.	1	1	1
14	70079A	Plate, Warning	1	-	1
15	818381	Spring Extension	1	-	-
[ ]	40895A	Positive Cable	1	1	1
[ ]	40896A	Negative Cable	1	1	1
[ ]	40882A	Cable Fuse	1	1	1
[ ]	41217A	Cable, Series	4	4	4

[ ] = Not Shown

**Clarke®**  
**FOCUS Rider Scrubber**  
 Main Frame Assembly Drawing (Rotary) 3/08  
 Drawing #11098A



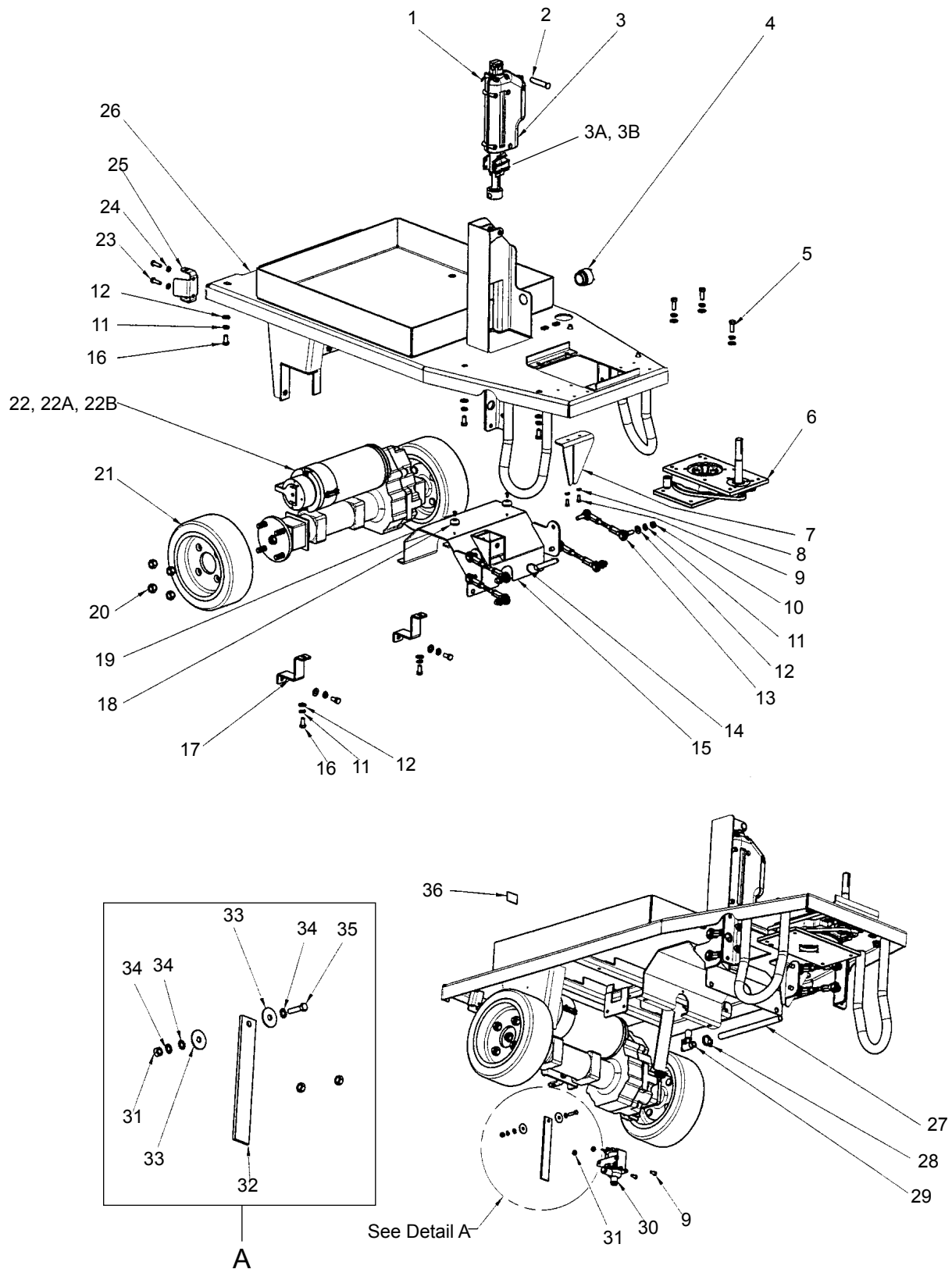


**Clarke®**  
**FOCUS Rider Scrubber**  
**Main Frame Assembly Parts List (Rotary) 1/11**  
**Drawing # 11098A**

Ref	Part No.	Description	Qty
1	53386B	Actuator, Head Lift	1
1A	40910A	Potentiometer & Circuit Board	1
1B	40866A	Housing Potentiometer	1
2	766780	Pin, Hair	1
3	82501A	Pin, Clevis	1
4	40889A	Horn	1
5	962288	Bolt, 3/8-16 x 1 Hex Hd	8
6	170883	Washer, Lock 3/8"	22
7	980645	Washer, 3/8" S.A.E. Flat	22
8	53760A	Steering Asm. , Manual	1
9	61473A	Linkage, Rod	4
10	920204	Nut, 3/8-24 Hex Jam	8
11	53493A	Pin, Quick Release Act. Btm.	1
12	61482A	Weldment, Head Carriage	1
13	818381	Spring, Idler Tension	1
14	61475A	Clamp, Transaxle	2
15	51609A	Bumper, Rear	2
16	962929	Screw, 10-32 x 3/8"	2
17	81221A	Nut, 1/2-20 Lug	8
18	61382A	Wheel, Anti-Skid	2
19	40837B	Transaxle	1
19A#	40275A	Brake	1
19B	41020A	Motor	1
	56380669	Kit, Carbon Brush	1
20	61572A	Mount, Front Squeegee	1
21	962086	Screw, 1/4-20 x 3/4 Hex Hd.	2
22	980657	Washer, Lock 1/4	6
23	962244	Bolt, 3/8-16 x .75 Hex	6
24	85813A	Screw, 5/16-18 x 1 Hex Hd.	2
25	980652	Washer, 5/16 Lock	2
26	61491A	Bracket, Squeegee Stop	1
27	61481A	Weldment, Mainframe	1
28	30453A	Hose, Clear Vinyl	1
29	61596A	Stop, Brush Head	1
30	30558A	Pad, Brush Carriage Stop	1
31	87026A	Washer, 1/4 Flat SS	2
32	85737A	Screw, 1/4-20 x 1/2 HHCS	6
33	50348A	Clamp, Hose	1
34	59614A	Valve, Battery Drain	1
35	722030	Clamp, Hose	2
36	30445A	Hose, Solution (Flex)	1
37	48703A	Valve, Electric	1
38	81104A	Nut, 1/4" Nylock	3
39	69639A	Strap, Static	1
40	85700A	Screw, 1/4-20 x 1 HHCS	1
41	980614	Washer, 1/4" Starlock Ext.	3
42	980205	Washer, .31 I.D. x 1.06 O.D.	2

# = Revised or new since last update

**Clarke®**  
**FOCUS Rider Scrubber**  
 Main Frame Assembly Drawing (Cylindrical) 3/08  
 Drawing #10949S

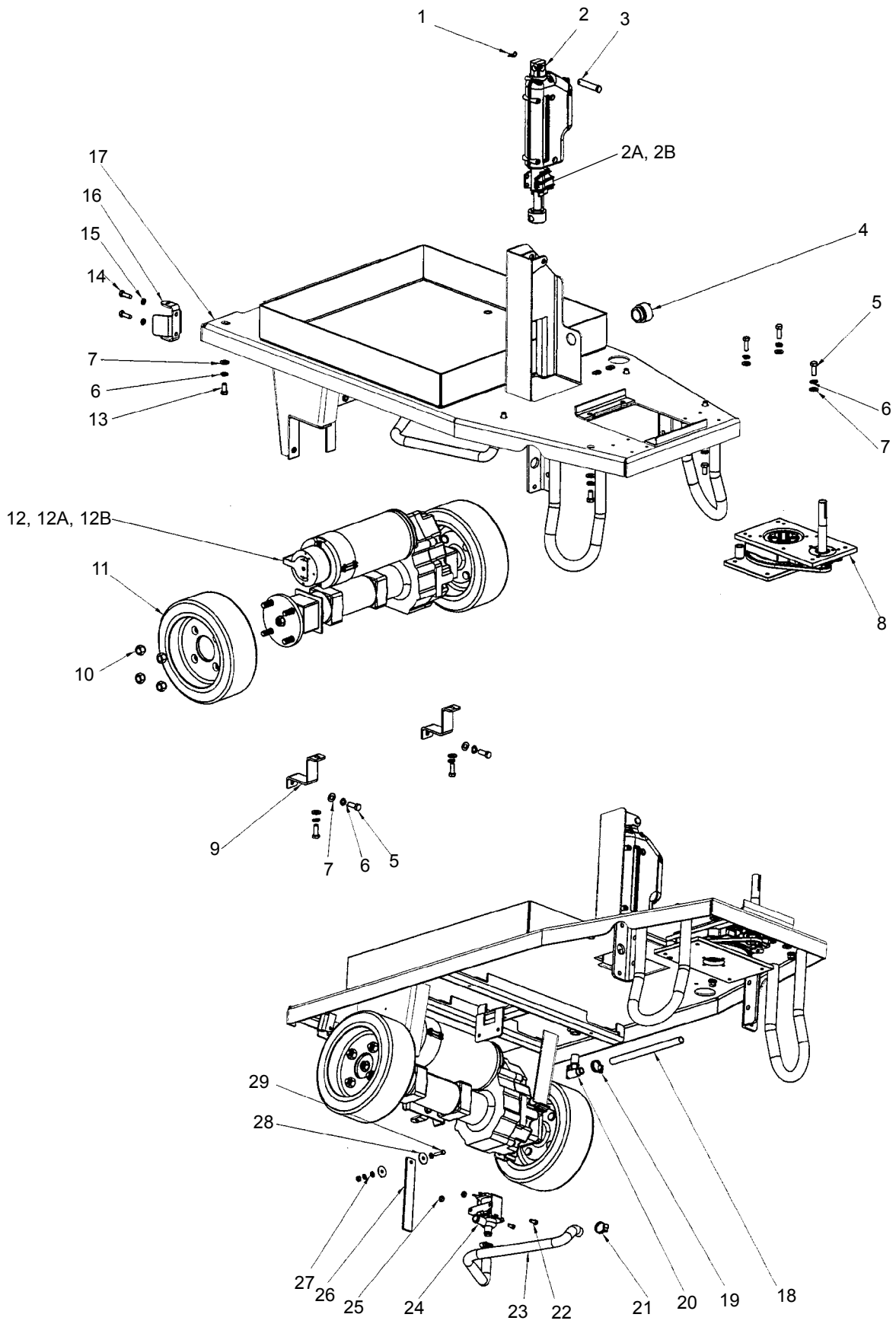


**Clarke®**  
**FOCUS Rider Scrubber**  
**Main Frame Assembly Parts List (Cylindrical) 1/11**  
**Drawing # 10949S**

Ref	Part No.	Description	Qty
1	766780	Pin, Hair	1
2	82501A	Pin, Clevis	1
3	40771A	Actuator, Head Lift	1
3A	40910A	Potentiometer & Circuit Borad	1
3B	40866A	Housing Potentiometer	1
4	40836A	Horn	1
5	962288	Bolt, 3/8-16 x 1 Hex Hd.	3
6	53760A	Steering Asm, Manual	1
7	61736A	Bracket, Head Stop (Cyl.)	1
8	980657	Washer, Lock 1/4	2
9	85737A	Screw, 1/4-20 x 1.2 HHCS	4
10	92020A	Nut, 3/8-24 Hex Jam	4
11	170883	Washer, Lock 3/8"	17
12	980645	Washer, 3/8" SAE Flat	17
13	61473A	Linkage, Rod	4
14	53493A	Pin, Quick Release Actuator Btm.	1
15	61718A	Carriage, Weldment	1
16	962244	Bolt, 3/8-16 x .75 Hex	10
17	61475A	Clamp, Transaxle	2
18	51609A	Bumper, Rear	2
19	962929	Screw, 10-32 x 3/8"	2
20	81221A	Nut, 1/2-20 Lug	8
21	61382A	Wheel, Anti-Skid	2
22	40837B	Transaxle	1
22A#	40275A	Brake	1
22B	41020A	Motor	1
	56380669	Kit, Carbon Brush	1
23	85813A	Screw, 5/16-18 x 1 Hex Hd.	2
24	980652	Washer, 5/16 Lock	2
25	61836A	Bracket, Squeegee Stop	1
26	61719A	Frame, Main Weldment	1
27	30453A	Hose, Clear Vinyl	1
28	50248A	Clamp, Hose	1
29	59614A	Valve, Battery Drain	1
30	48703A	Valve, Electric	1
31	81104A	Nut, 1/4" Nylock	3
32	69639A	Strap, Static	1
33	980205	Washer, .31 I.D. X 1.06 O.D.	2
34	980614	Washer, 1/4" Starlock, Ext.	3
35	85700A	Screw, 1/4-20 x 1 HHCS	1
36	413754	Grip, Solution Tank Clamp	1

# = Revised or new since last update

**Clarke®**  
**FOCUS Rider Scrubber**  
 Main Frame Assembly Drawing (*BDDST*) 3/08  
 Drawing #11107A

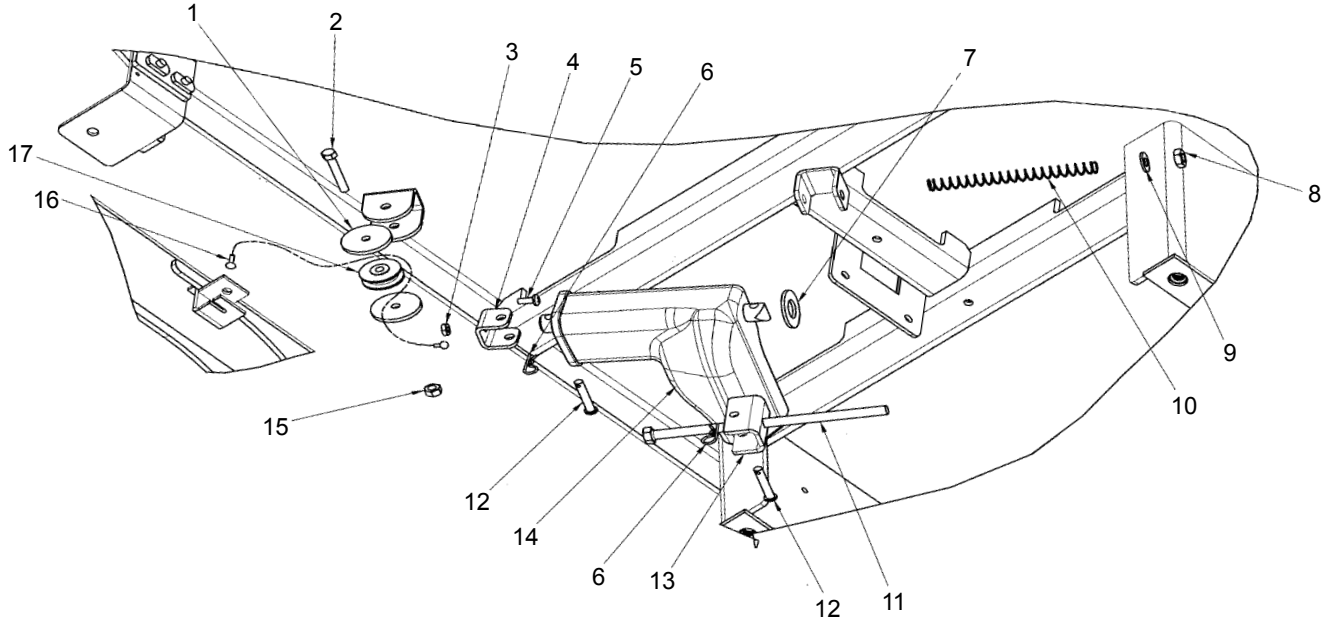


**Clarke®**  
**FOCUS Rider Scrubber**  
**Main Frame Assembly Parts List (BDDST® ) 1/11**  
**Drawing # 11107A**

Ref	Part No.	Description	Qty
1	766780	Pin, Hair	1
2	53874A	Actuator, Head Lift	1
2A	40910A	Potentiometer & Circuit Board	1
2B	40866A	Housing Potentiometer	1
3	82501A	Pin, Clevis	1
4	40836A	Horn	1
5	962288	Bolt, 3/8-16 x 1 Hex Hd.	7
6	170883	Washer, Lock 3/8"	14
7	980645	Washer, 3/8" S.A.E. Flat	14
8	53760A	Steering Asm., Manual	1
9	61475A	Clamp, Transaxle	2
10	81221A	Nut, 1/2-20 Lug	8
11	61382A	Wheel, Anti-Skid	2
12	40837B	Transaxle	1
12A#	40275A	Brake	1
12B	41020A	Motor	1
	56380669	Kit, Carbon Brush	1
13	962244	Bolt, 3/8-16 x .75 Hex	7
14	85813A	Screw, 5/16-18 x 1 Hex Hd.	2
15	980652	Washer, 5/16 Lock	2
16	61836A	Bracket, Squeegee Stop	1
17	61719A	Frame, Main Weldment	1
18	30453A	Hose, Clear Vinyl	1
19	50248A	Clamp, Hose	1
20	59614A	Valve, Battery Drain	1
21	722030	Clamp, Hose	2
22	85737A	Screw, 1/4-20 x 1/2 HHCS	2
23	30680A	Hose, Solution (Flex)	1
24	48703A	Valve, Electric	1
25	81104A	Nut, 1/4" Nylock	3
26	69639A	Strap, Static	1
27	980614	Washer, 1/4" Starlock Ext.	3
28	980205	Washer, .31 I.D. x 1.06 O.D.	2
29	85700A	Screw, 1/4-20 x 1 HHCS	1

# = Revised or new since last update

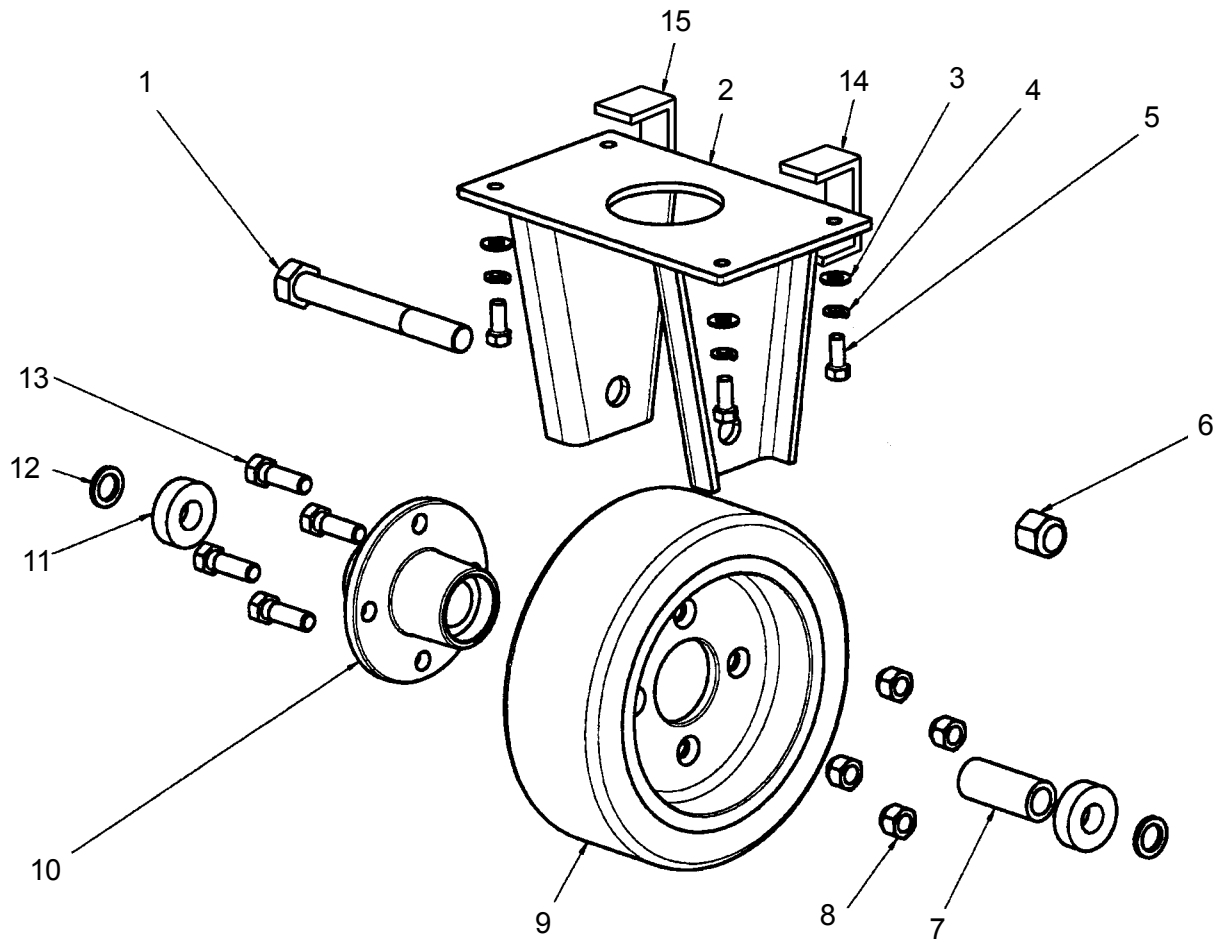
**Clarke®**  
FOCUS Rider Scrubber  
28" & 34" Rotary Models  
Optional Side Squeegee Lift Assembly Drawing 3/05



**Clarke®**  
**FOCUS Rider Scrubber**  
**28" & 34" Rotary Models**  
**Optional Side Squeegee Lift Assembly Parts List 3/05**

<b>Ref</b>	<b>Part No.</b>	<b>Description</b>	<b>Qty</b>
1	87624A	Washer, Nylon 1 1/2 x 1/4 x 1/8	2
2	86004A	Screw, 1/4-20 x 1.50 HHCS	1
3	920296	Nut, 10-24 Elastic Stop	1
4	61699A	Bracket, Sq. Lift Cable	1
5	962798	Screw, 10-24 x 1/2 PH	1
6	836711	Pin, Hair	2
7	80152A	Washer, Flat 5/8	1
8	920110	Nut, 5/16-18 Hex Lock	1
9	980651	Washer, 5/16 Flat	1
10	80286A	Spring, Actuator	1
11	80287A	Screw, 5/16-18 x 7 Hex Head	1
12	80273A	Pin, Clevis	2
13	61698A	Bracket, Actuator Rear Mount	1
14	40751A	Actuator, 3" Stroke	1
15	81104A	Nut, 1/4" Nylock	1
16	61695A	Cable, Squeegee Lift	1
17	57275A	Pulley, Cable	1

**Clarke®**  
**FOCUS Rider Scrubber**  
 Front Wheel Assembly Drawing and Parts List 6/07  
 Drawing #10779A

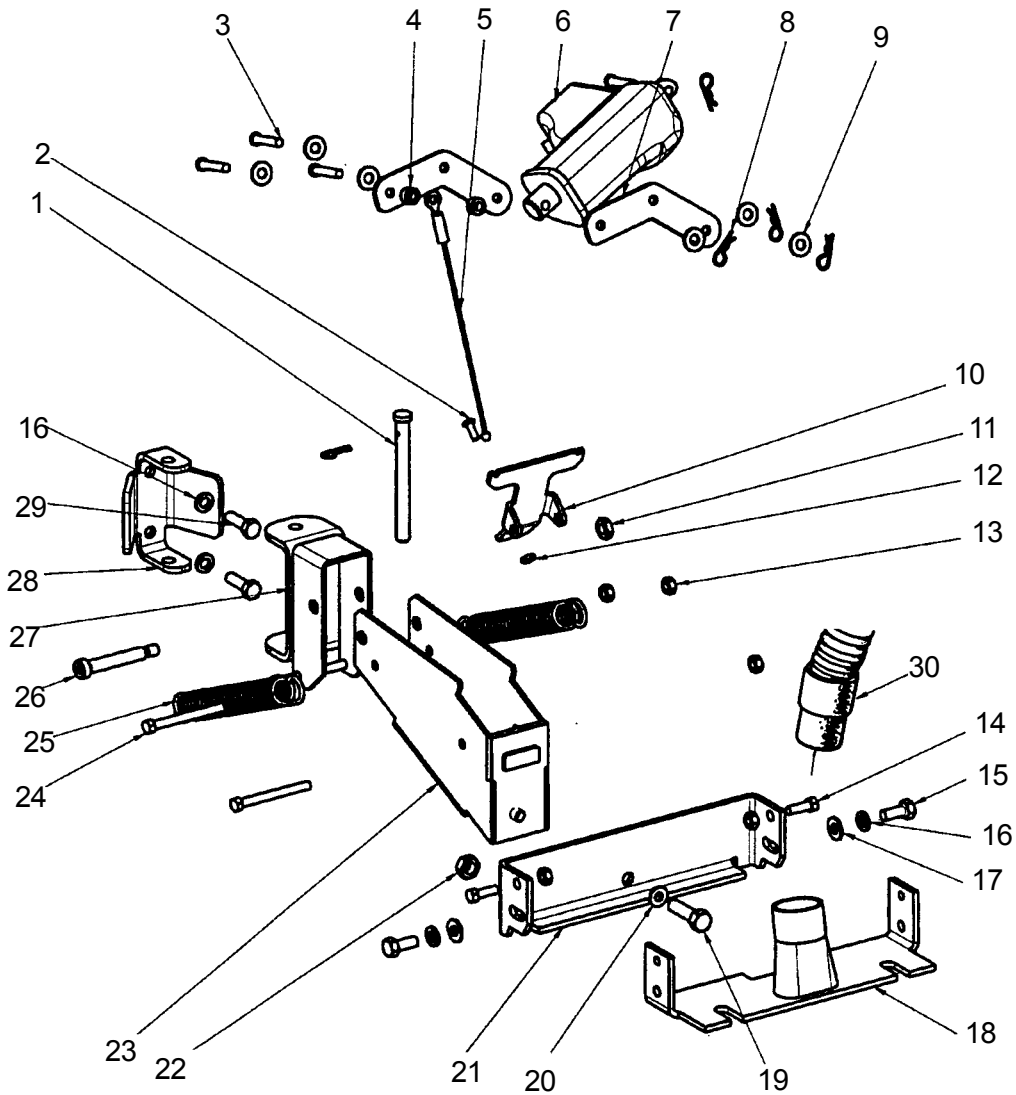


Ref	Part No.	Description	Qty
1	80267A	Bolt, 3/4 - 16 Hex Head	1
2	61472A	Yoke Weldment, Steering	1
3	980645	Washer, 3/8 Flat	4
4	170883	Washer, Lock 3/8	4
5	85822A	Screw, 3/8 -16 x 7/8 Hex Hd.	4
6	80268A	Nut, .750 ESNA	1
7	*	Spacer, Center (included w/#10)	1
8	81221A	Nut, 1/2 -20 Lug	4
9	61382A	Wheel, Anti-Skid	1
10	61691A	Hub Assembly, Front Wheel	1
11	*	Bearing (included w/#10)	2
12	*	Outside Spacer (included w/#10)	2
13	85838A	Bolt, 1/2 -20 Hex	4
14	61877A	Stop, LH Steering	1
15	61878A	Stop, RH Steering	1

\*Front Wheel Hub Assembly (61691A) includes reference #s 7, 11 and 12.

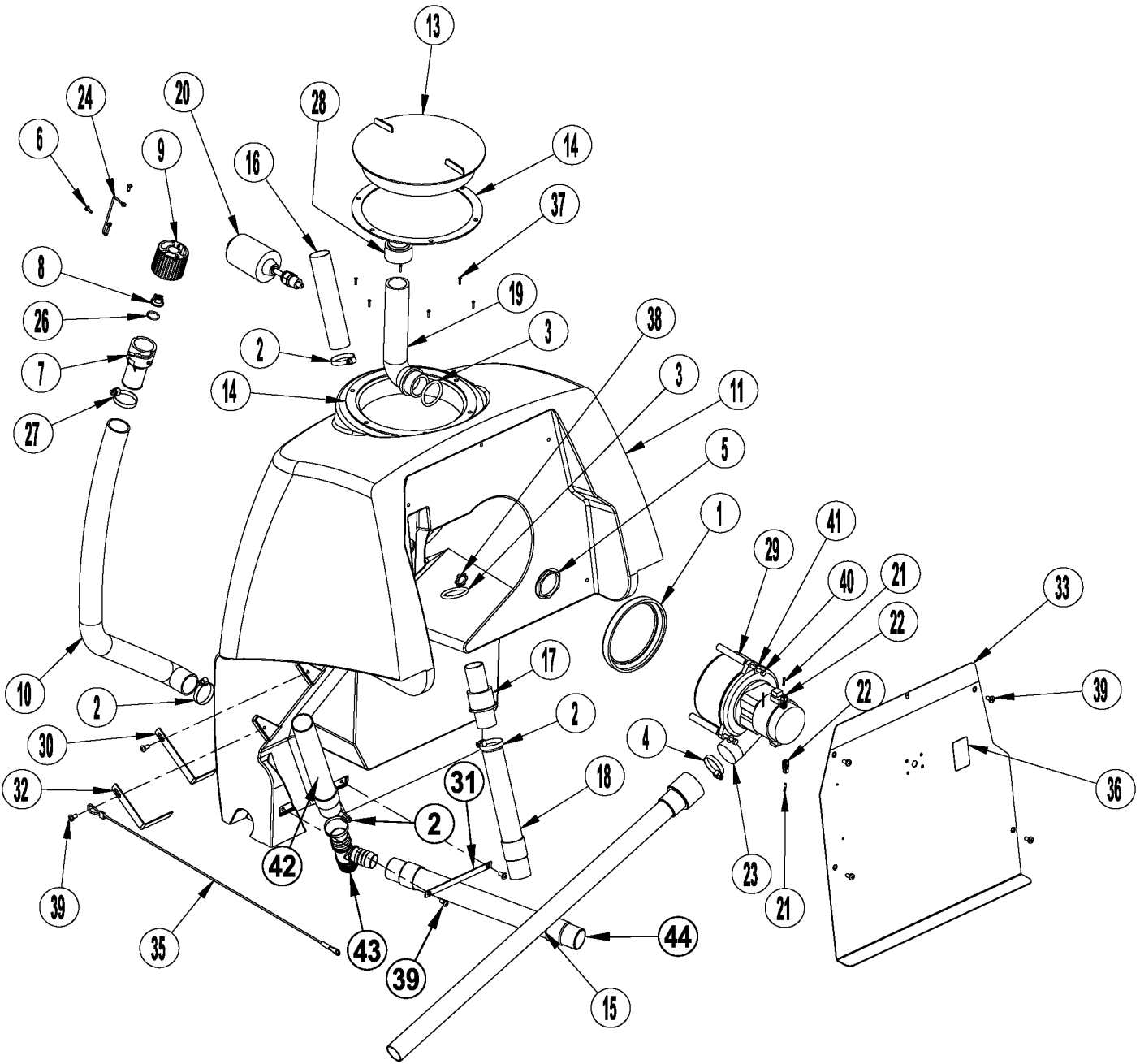


**Clarke®**  
**FOCUS Rider Scrubber**  
 Squeegee Lift Assembly Drawing and Parts List 4/06  
 Drawing #10787A / 10949A



Ref	Part No.	Description	Qty	Ref	Part No.	Description	Qty
1	66531A	Pin, Swing Arm	1	16	980652	Washer, 5/16 Lock	4
2	962798	Screw, 10-24 x 1/2 PH	1	17	980651	Washer, 5/16 Flat	2
3	80273A	Pin, Clevis	4	18	61267A	Tube, Bracket Squeegee	1
4	30542A	Spacer	2	19	85730A	Screw, 3/8 - 16 x 1 1/4 Hex HD	1
5	61549A	Cable, Rear Squeegee	1	20	87031A	Washer, 3/8 Flat SS	1
6	53387A	Actuator, Squeegee	1	21	60678C	Bracket, Squeegee Mount	11
7	53446A	Lever, Pivot, Squeegee	2	22	81105A	Nut, 3/8 - 16 SS ESNA	1
8	836711	Pin, Hair	5	23	61551A	Arm, Rear Weldment	1
9	87026A	Washer, 1/4 Flat SS	6	24	962269	Screw, 1/4 - 20 x 2 1/2 Hex HD	2
10	61552A	Lever, Spring	1	25	53423a	Spring, Extension 5,19"	2
11	920110	Nut, 5/16-18 Hex Lock	1	26	80015A	Screw, 3/8 -16 x 2	2
12	920296	Nut, 10-24 Elastic Stop	1	27	61550A	Mount, Front Arm	1
13	81104A	Nut, 1/4 Nylock	5	28	61491A	Bracket, Squeegee Mount (Rotary)	1
14	170915	Screw, 1/4 - 20 x 3/4 Hex HD	2		61736A	Bracket, Squeegee Mount (Cylindrical)	1
15	962620	Screw, 5/16 - 24 x 3/4 Hex HD	2	29	85813A	Screw, 5/16 - 18 x 1 Hex HD	2
				30	30568A	Hose, Recovery	1

Clarke®  
FOCUS Rider Scrubber  
Recovery Tank Assembly Drawing 8/10  
Drawing #10783A/ 10990A



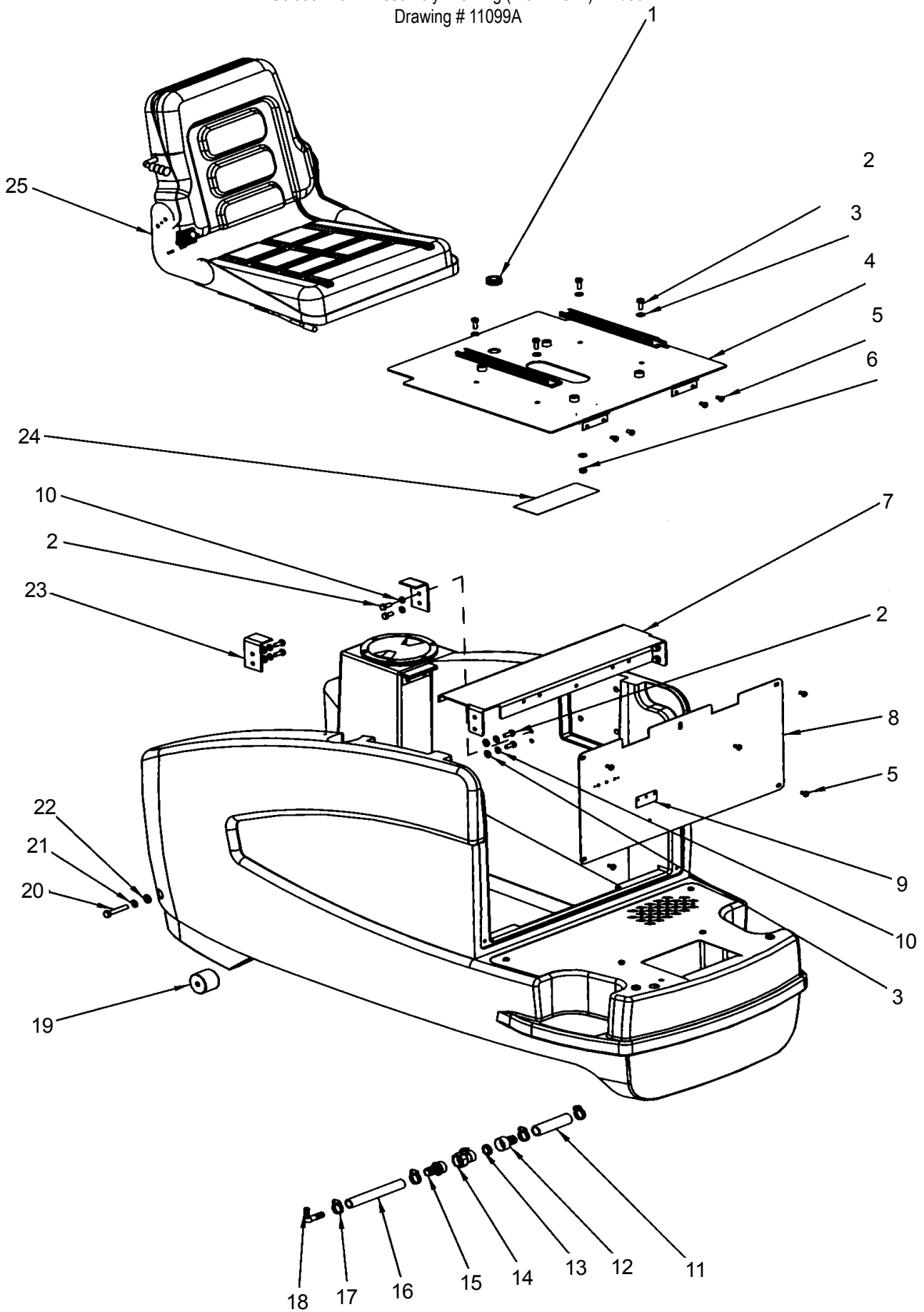
**Clarke®**  
**FOCUS Rider Scrubber**  
**Recovery Tank Assembly Parts List 8/10**  
**Drawing # 10783A / 10990A**

Item	Ref. No.	Qty	Description
1	643418	1	Gasket, Vac Unit
2	752020	3	Clamp, Hose
3	837304	2	O-Ring, Retainer
4	872010	1	Clamp, Hose
5	920797	1	Nut, Drain Valve
6	962957	2	Screw, 10-16 X 1/2 Self Tap
7	30225a	1	Body, Drain Valve
8	30226a	1	Plug, Drain
9	30227a	1	Housing, Drain
10	30443a	1	Hose, Recovery Drain
11	30531a	1	Tank, Recovery
13	30581a	1	Lid, Recovery Tank
14	30582a	2	Gasket, Rec. Tank Lid
15	30621a	1	Hose, Vac Motor
16	30622a	1	Hose, Vac Exhaust
17	30623a	1	Adaptor Asm Vacuum
18	38731a	1	Hose, Squeegee 1 1/2 X 57.0
19	39339b	1	Tube, Stand 90 Degree
20	40002a	1	Switch, Float Electrical
21	41809a	2	Contact, Housing Connector
22	43401a	2	Housing, Connector
23	45019a	1	Motor, Vac
[ ]	40830A	2	Carbon Brush
24	52206a	1	Chain, Drain Assembly
26	52560a	1	O-Ring, .103 X .799 I.D.
27	53371a	1	Clamp, Hose ("P" Trap)
28	58069a	1	Screen, Vac Filter
29	58533a	3	Spacer, Vac Motor
30	61477a	1	Retainer, Upper Hose
31	61478a	1	Retainer, Lower Hose
32	61498a	1	Retainer, Mid Hose
33	61565a	1	Panel, Rec. Vac Mtr
35	61573b	1	Cable, Seat/Rec. Tank
36	71014a	1	Label, Falling Parts
37	80056a	6	Screw, 4-40 X 1/2 P.H.
38	82100a	1	Locknut, 1/2" Conduit
39	85395a	8	Screw, 1/4-20 X 1/2" P.H.
40	85728a	3	Screw, 1/4-20 X 4" Hex Hd.
41	87026a	3	Washer, 1/4 Flat S.S.
42	30567a	1	Hose 1-1/2 Vac X 36 1 Cuff <b>NOTE 1</b>
43	30561a	1	Tee Rec. Hose Reducing <b>NOTE 1</b>
44	30568a	1	Hose 1-1/2 Squeegee X 17 2 Cf <b>NOTE 1</b>

[ ] = Not Shown

**NOTE 1:** These items are only used on disk models.

Clarke®  
 FOCUS Rider Scrubber  
 Solution Tank Assembly Drawing (View 1 of 2) 11/06  
 Drawing # 11099A

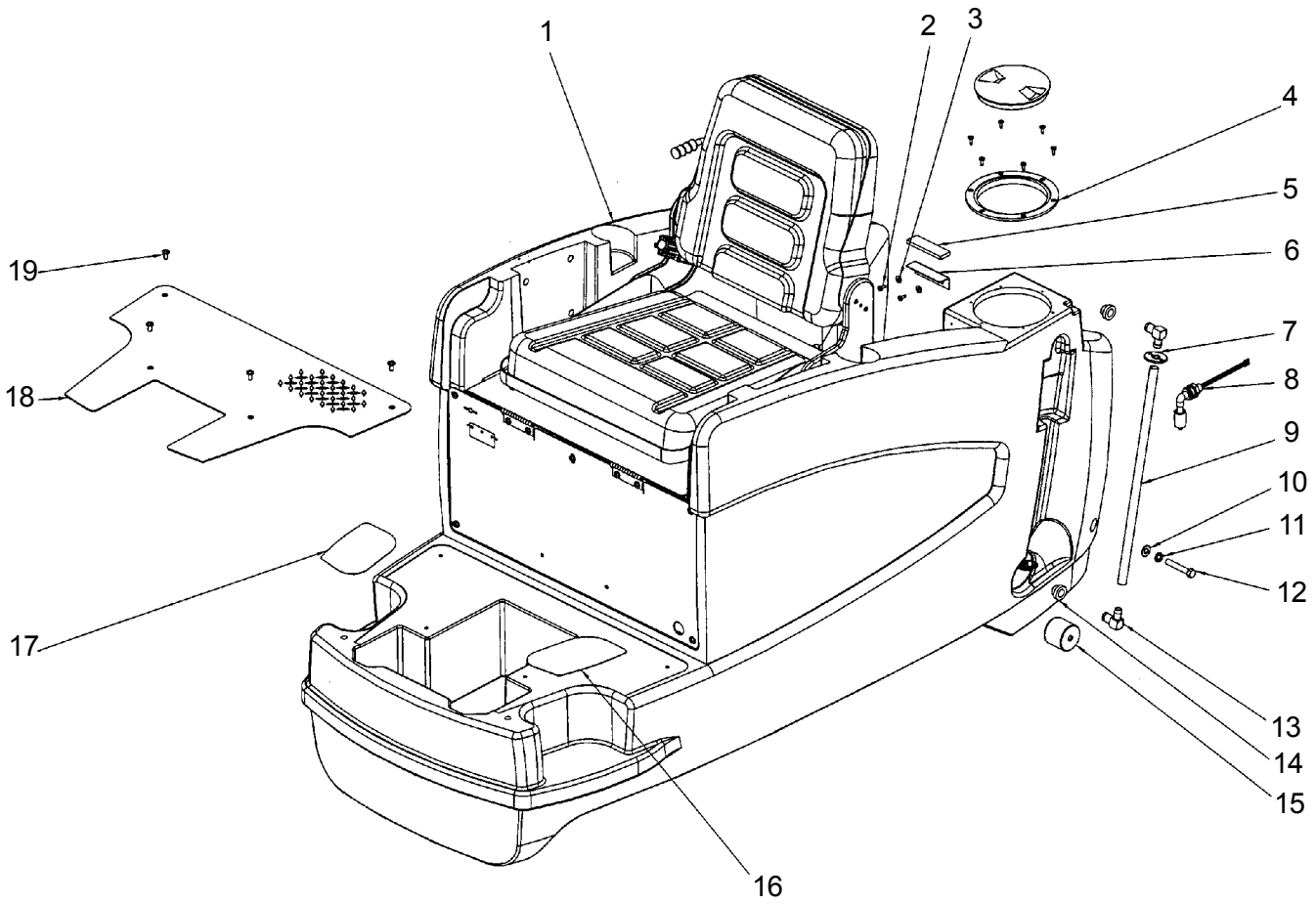


**Clarke®**  
**FOCUS Rider Scrubber**  
**Solution Tank Assembly Parts List (View 1 of 2) 6/07**  
**Drawing # 11099A**

<b>Ref</b>	<b>Part No.</b>	<b>Description</b>	<b>Qty</b>
1	193944	Grommet	1
2	85811A	Screw, 5/16 - 18 x 3/4 Hex Head	12
3	980651	Washer, 5/16 Flat	13
4	61492B	Plate, Seat Assembly	1
5	85395A	Screw, 1/4-20 x 1/2 PH	9
6	81112A	Nut, 5/16 - 18 Thin ESNA	1
7	61490A	Mount, Seat Assembly	1
8	61489A	Plate, Cover	1
9	70883A	Label, Battery Charger	1
10	980652	Washer, 5/16 Lock	8
11	30566A	Hose, 5/8" ID x 7/8" OD x 4.00	1
12	50358A	Adapter, 5/8 Barb Swivel	1
13	838517	Screen, Hose Washer	1
14	54088A	Valve, Shut-Off 3/4 GHT x 3/4 GHT	1
15	830214	Adapter, 3/4 Barb & GHT Male	1
16	30445A	Hose, Solution (Flex)	1
17	53571A	Clamp, Hose	4
18	53498A	Fitting, 90d ELL Pipe	1
19	61561A	Pivot, Recovery Tank	1
20	85704A	Screw, 3/8-16 x 2 1/4" Hex	2
21	170883	Washer, Lock 3/8"	2
22	980645	Washer, 3/8" SAE Flat	2
23	61562A	Stop, Seat	2
24	70841A	Label, Battery Installation	1
25	30534B	Seat, Ergo/Adjustable	1
[ ]	61573B	Cable, Seat/Rec. Tank	1
[ ]	50248A	Clamp, Hose	1

[ ] = Not Shown

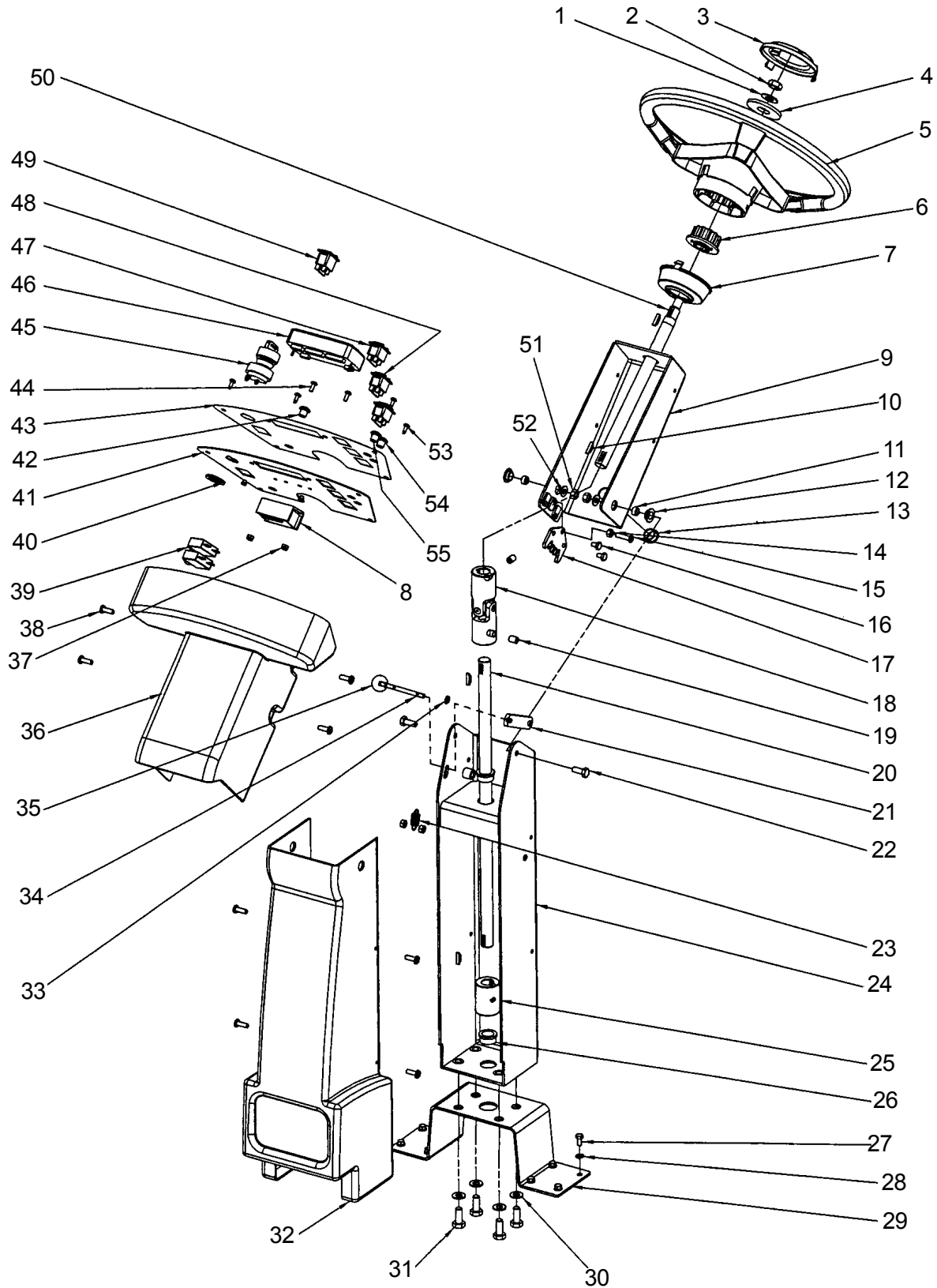
Clarke®  
FOCUS Rider Scrubber  
Solution Tank Assembly Drawing (View 2 of 2) 8/06  
Drawing # 11099A



**Clarke®**  
**FOCUS Rider Scrubber**  
**Solution Tank Assembly Parts List (View 2 of 2) 8/06**  
**Drawing # 11099A**

<b>Ref</b>	<b>Part No.</b>	<b>Description</b>	<b>Qty</b>
1	30530A	Tank, Solution	1
2	962957	Screw, 10-16 x 1/2 Self Tap	8
3	87036A	Washer, #10 Flat	2
4	30539B	Lid, Solution	1
5	30578A	Gasket, Solution Tank Fill	1
6	61574A	Bracket, Tank Fill Gasket	1
7	61563A	Washer, Sight Tube	1
8	40876A	Sensor, Water Level (Option)	1
9	30564A	Hose, Solution Sight	1
10	980645	Washer, 3/8" S.A.E. Flat	2
11	170883	Washer, Lock 3/8"	2
12	85704A	Screw, 3/8-16 x 2 1/4" Hex	2
13	55189A	Hosebarb, .50 x 90 degree	2
14	31242A	Bushing	2
15	61561A	Pivot, Recovery Tank	2
16	30597A	Pad, Solution Tank Step (Left)	1
17	30596A	Pad, Solution Tank Step (Right)	1
18	61843A	Plate, Deck	1
19	85398A	Screw, 1/4-20 x 1/2" P.H.	4

**Clarke®**  
**FOCUS Rider Scrubber**  
 Steering Column Assembly Drawing 12/09  
 Drawing # 11087A

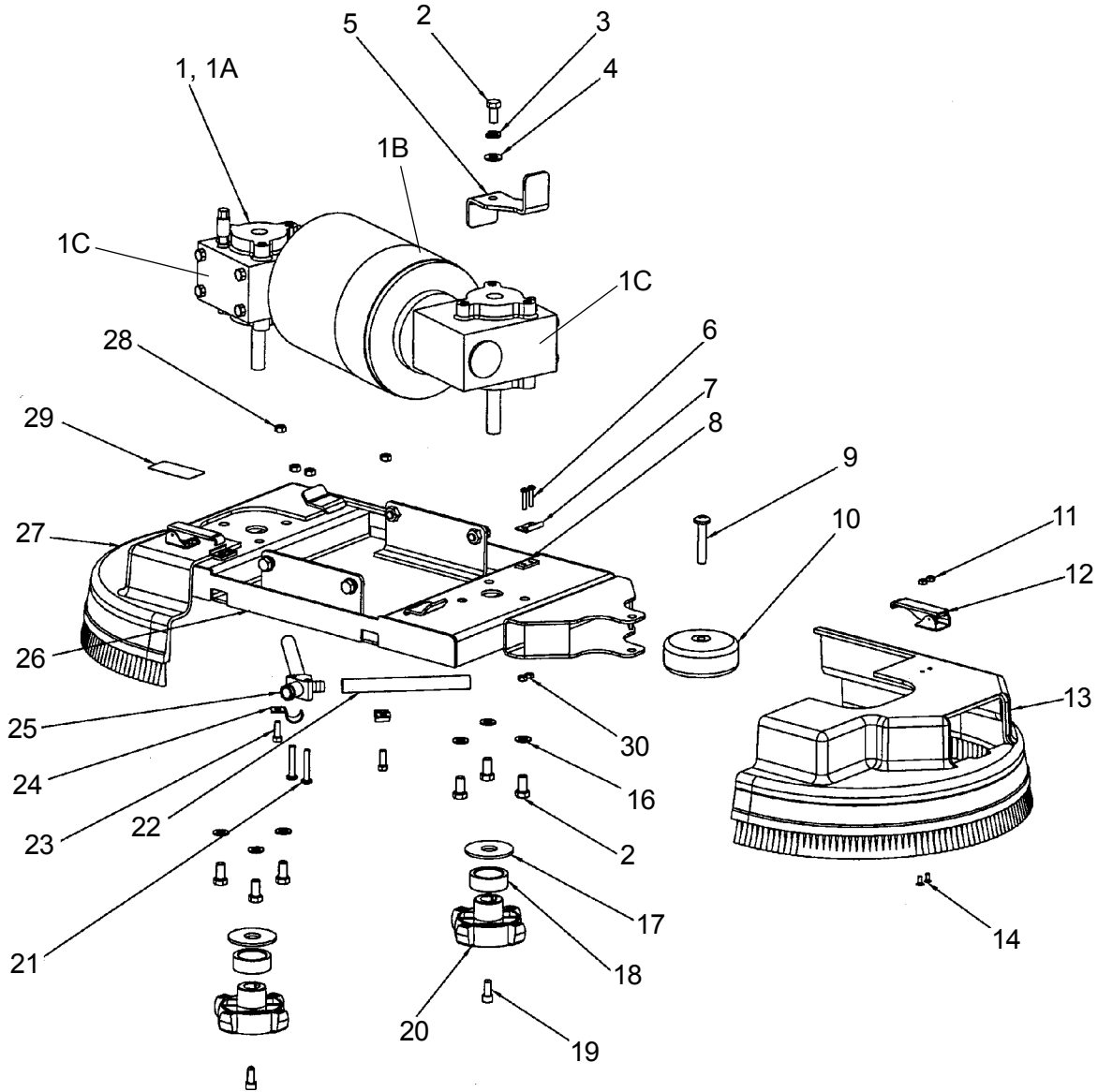




**Clarke®**  
**FOCUS Rider Scrubber**  
**Steering Column Assembly Parts List 12/09**  
**Drawing # 11087A**

Ref	Part No.	Description	Qty
1	980648	Washer, 17/32 x 1 1/16 Plain	1
2	424069	Nut, 1/2-13 Hex Nyloc	1
3	56497543	Cap, Steering Wheel	1
4	80328A	Washer, Flat	1
5	56497306	Wheel, Steering	1
6	56497560	Adapter, Wheel	1
7	56497308	Cup	1
8	40879A	Module, Solution Level (Option)	1
9	61848A	Column, Upper Steering	1
10	55400A	Key, 3/16 x 5/32	4
11	56320595	Bushing, .32 x .50 x .28	2
12	56413211	Spacer, Nylon	2
13	56900041	Plug, Cap	1
14	81104A	Nut, 1/4" Nylock	3
15	85700A	Screw, 1/4-20 x 1 H.H.C.S.	1
16	962430	Screw, 1/4-20 x 1/2 H.H.C.S.	2
17	56413658	Plate, Column Tilt	1
18	56454081	Universal Joint	1
19	56001958	Screw, 3/8-16 x .25 Set	2
20	61838A	Shaft, Lower (Man. Steer)	1
21	56413661	Handle, Pivot Weldment	1
22	85812A	Screw, M10-1.5 x 30MM	2
23	56305072	Spring	1
24	61839A	Column, Lower Steering	1
25	53759A	Coupling, Sleeve (Man.)	1
26	56250414	Bearing, Flange	2
27	85737A	Screw, 1/4-20 x 1/2 HHCS	8
28	980657	Washer, Lock 1/4	8
29	61837A	Plate, Column Adapter	1
30	980645	Washer, 3/8" SAE Flat	4
31	80088A	Screw, M10-1.5 x 30MM	4
32	30734A	Cover, Front (Lower)	1
33	56003261	Ring, Ret Ext Type E Reinf	1
34	56413664	Handle, Adjustment	1
35	56440817	Knob, Tilt Lock	1
36	30733A	Cover, Front (Upper)	1
37	920722	Nut, 10-32 ESNA	2
38	85518A	Screw, 1/4-20 x 3/4 P.H.	8
39	41423B	Breaker, 5A Circuit, Cntrl/Act	2
40	40786S	Spacer, Key Switch	1
41	61835A	Panel, Control	1
42	40941A	Horn Button	1
43	71165A	Label, Control Panel	1
44	84237A	Screw, 10-32 x .50 P.H.	2
45	40786A	Switch, CE Key	1
46	40880A	Panel, LCD Control (TRIO)	1
47	40890A	Switch, Maintained Rocker	1
48	40885A	Switch, Momentary Rocker	2
49	40940A	Switch, Maintained Rocker	1
50	56420059	Shaft, Upper Steering	1
51	81112A	Nut, 5/16-18 Thin ESNA	2
52	980651	Washer, 5/16 Flat	2
53	962957	Screw, 10-16 x 1/2 Self Tap	4
54	40748A	Switch, Push Button	1
55	40706A	Switch, Momentary Push	1

**Clarke®**  
**FOCUS Rider Scrubber**  
 28" Rotary Brush Head Assembly Drawing and Parts List 1/11  
 Drawing #10697A

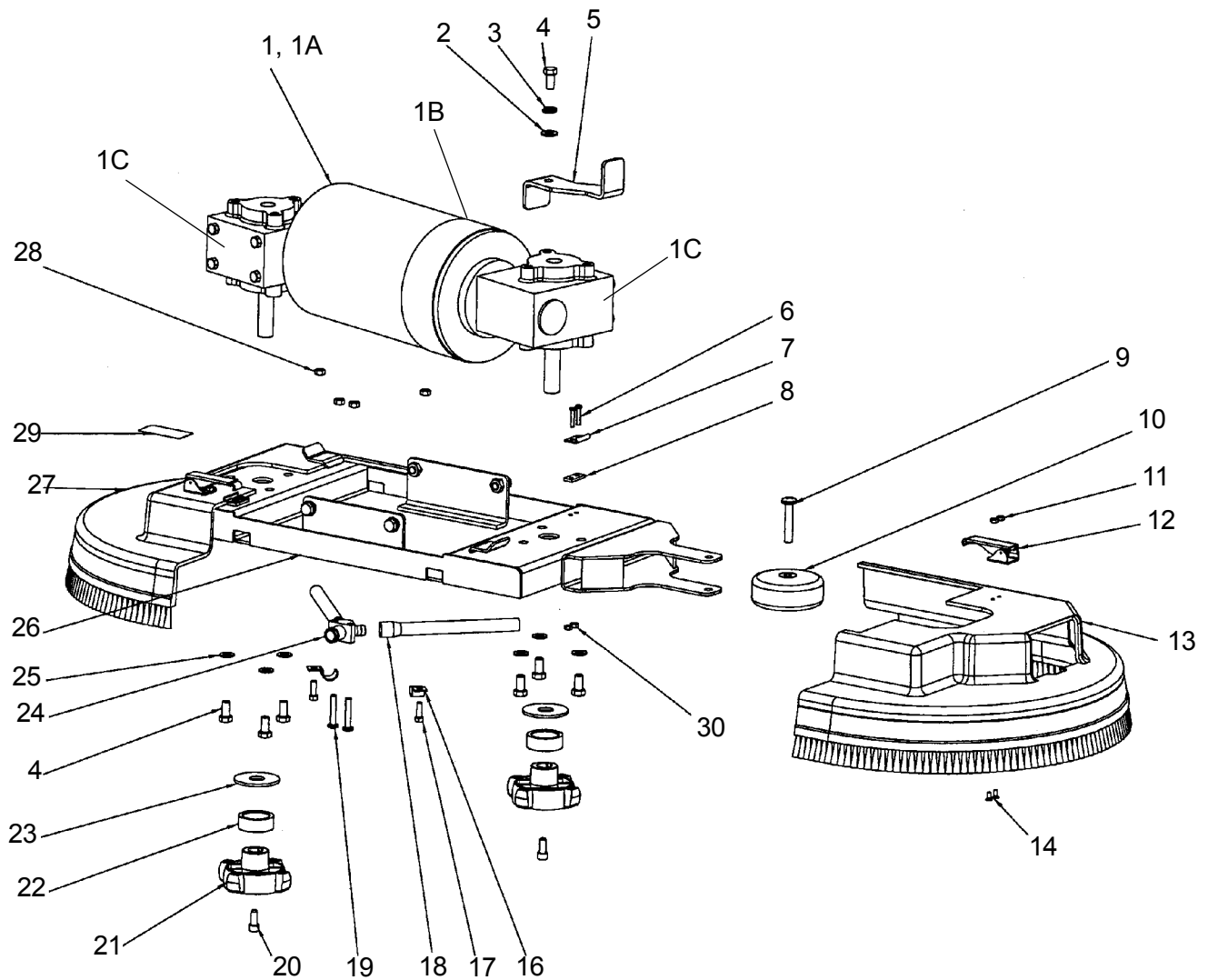


Ref	Part No.	Description	Qty	Ref	Part No.	Description	Qty
1	40904B	Motor, Dual Gear Box	1	17	59856A	Washer, Rubber	2
1A	915102	Key	2	18	61658A	Collar, Brush Driver	2
1B#	56407500	Brush Assy Kit	1	19	962714	Screw, Gimbal Mount	2
1C	41048A	Gearbox Assembly	2	20	34400B	Gimbal, Motor	2
2	962244	Bolt, 3/8 - 16 x 3/4 Hex	12	21	962989	Screw, 1/4 - 20 x 1 1/2 PH	2
3	170883	Washer, Lock 3/8	2	22	34705A	Hose, Solution	2
4	980645	Washer, 3/8 Flat	2	23	170915	Screw, 1/4 - 20 x 3/4 Hex HD	2
5	61722A	Plate, Auto Side Squeegee	1	24	782002	Clamp, Manifold	2
	61497A	Plate, Manual Side Squeegee	1	25	38014A	Splitter, Solution	1
6	85613A	Screw, 8 - 32 x 7/8 PH SS	4	26	61546A	Frame, 28" Brush Motor	1
7	55451A	Keeper, Latch	2	27	30536A	Housing, 28" Brush Left Main	1
8	61570A	Spacer, Keeper	2	28	81104A	Nut, 1/4 Nylock	4
9	962803	Screw, 5/16-18 x 1 1/2 FH	1	29	77091A	Label, Moving Parts	1
10	53838A	Wheel, Guide 4"	1	30	81109A	Nut, 8-32 ESNA SS	4
11	920108	Nut, 8 - 32 ESNA SS	4	[ ]	30536A	Housing, 28" Left Brush	1
12	55721A	Latch, Brush Housing	2	[ ]	30535A	Housing, 28" Right Brush	1
13	30535A	Housing, 28" Brush Right Main	1				
14	962030	Screw, 8 - 32 x 3/8" FHCS	4				
16	980638	Washer, 3/8 Lock	10				

[ ] = Not Shown

# = Revised or new since last update

**Clarke®**  
**FOCUS Rider Scrubber**  
 34" Rotary Head Assembly Drawing and Parts List 1/11  
 Drawing #10698A

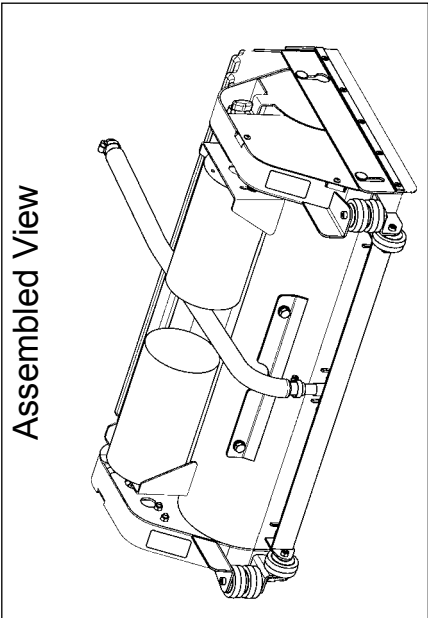
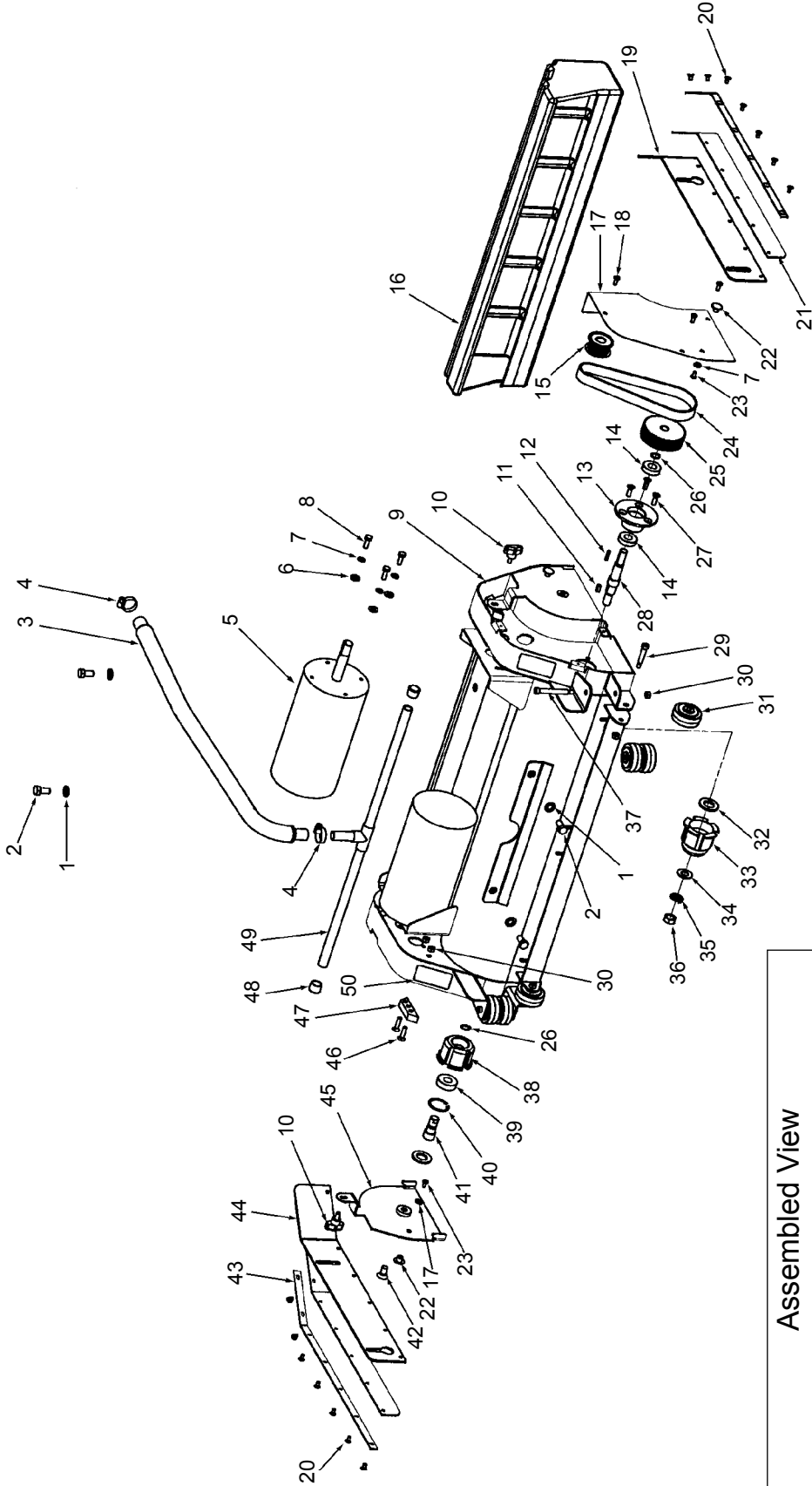


Ref	Part No.	Description	Qty	Ref	Part No.	Description	Qty
1	40905B	Motor, Dual Gear Box	1	17	170915	Screw, 1/4 - 20 x 3/4 Hex HD	2
1A	915902	Key	2	18	30210A	Tubing, Vinyl	1
1B#	56407500	Brush Assy Kit	1	19	962989	Screw, 1/4 - 20 x 1 1/2 PH	2
1C	41048A	Gearbox Assembly	2	20	962714	Screw, Gimbal Mount	2
2	980645	Washer, 3/8 Flat	2	21	34400B	Gimbal, Motor	2
3	170883	Washer, 3/8 Lock	2	22	61658A	Collar, Brush Driver	2
4	962244	Bolt, 3/8 - 16 x 3/4 Hex	11	23	59856A	Washer, Rubber	2
5	61723A	Plate, Auto Side Squeegee	1	24	38014A	Splitter, Solution	1
	61497A	Plate, Manual Side Squeegee	1	25	980638	Washer, 3/8 Lock	10
6	85613A	Screw, 8 - 32 x 7/8 PH SS	4	26	61547B	Frame, 34" Brush Motor	1
7	55451A	Keeper, Latch	2	27	30538A	Housing, 34" Brush Left Main	1
8	61570A	Spacer, Keeper	2	28	81104A	Nut, 1/4 Nylock	4
9	962803	Screw, 5/16-18 x 1 1/2 FH	1	29	77091A	Label, Moving Parts	1
10	53838A	Wheel, Guide 4"	1	30	81109A	Nut, 8-32 ESNA SS	4
11	920108	Nut, 8 - 32	4	[ ]	30538A	Housing, 34" Left Brush	1
12	55721A	Latch, Brush Housing	2	[ ]	30537A	Housing, 34" Right Brush	1
13	30537A	Housing, 34" Brush Right Main	1				
14	962030	Screw, 8 - 32 x 3/8" FHCS	4				
16	782002	Clamp, Manifold	2				

[ ] = Not Shown

# = Revised or new since last update

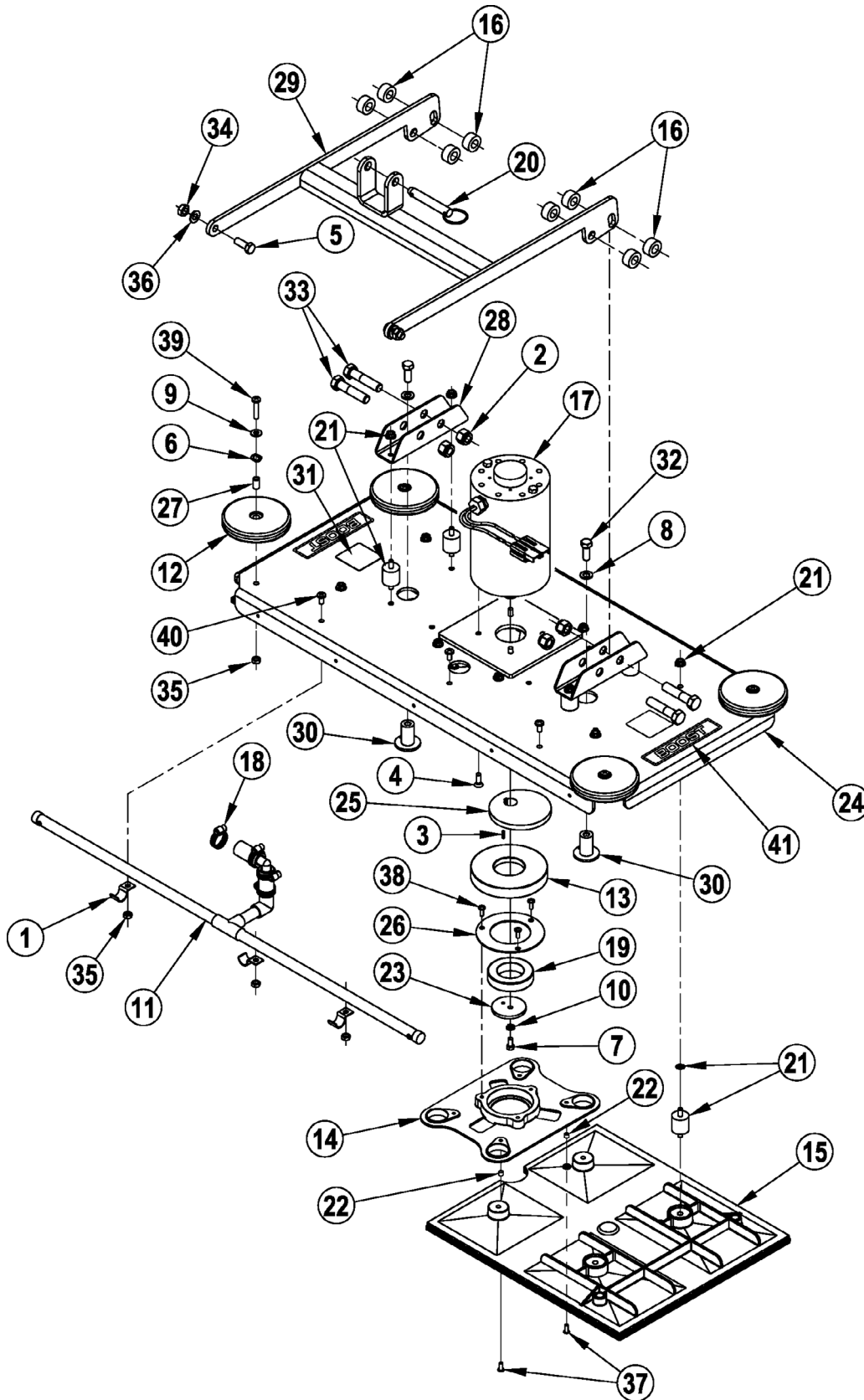
**Clarke®**  
**FOCUS Rider Scrubber**  
 28" Cylindrical Head Assembly Drawing 3/05  
 Drawing #10962A



**Clarke®**  
**FOCUS Rider Scrubber**  
**28" Cylindrical Head Assembly Parts List 3/05**  
**Drawing #10962A**

<b>Ref</b>	<b>Part No.</b>	<b>Description</b>	<b>Qty</b>
1	980638	Washer, 3/8 Lock	4
2	962244	Bolt, 3/8-16 x .75 Hex	4
3	30649A	Hose, Solution	1
4	50248A	Clamp, Hose	2
5	40772A	Motor, Brush	2
6	980646	Washer, 1/4" Flat	6
7	980657	Washer, Lock 1/4	9
8	85806A	Screw, 1.4-20 x 3/4 Hex	6
9	61738A	Mainframe, Weldment	1
10	52477A	Knob, 1.4-20 Clamp	2
11	80248A	Key, 3/16 Sq x .50 Lg	2
12	80247A	Key, 1/8 Sq x .75 Lg	2
13	61308A	Bearing Carrier	2
14	51226A	Bearing, Sealed	4
15	61318A	Pulley, Motor	2
16	30618A	Tray, 28" Cyl. Debris	1
17	61743A	Cover, Cyl Head Belt	2
18	84237A	Screw, 10-32 x .50 P.H.	6
19	61752A	Plate, Skirt L.H.	1
20	80240A	Screw, 10-32 x 3/8 F.H.	14
21	30312A	Skirt, Side	2
22	61336A	Spacer, Binding	4
23	962094	Screw, 10-32 x 3/8 R.H.	3
24	53661A	Belt, Drive	2
25	61319A	Pulley, Brush Drive	2
26	467308	Ring, Retainer	4
27	962098	Screw, 1/4-20 x 3/4 F.H.	6
28	61309A	Shaft, Drive	2
29	80270A	Screw, 1/4-20 Shoulder	2
30	81104A	Nut, 1/4" Nylock	8
31	30049B	Wheel, Squeegee 2"	6
32	80257A	Washer, Neoprene	4
33	61293A	Hub, Driver	2
34	980648	Washer, 17/32 x 1 1/16 Plain	2
35	980626	Washer, 1/2 Lock	2
36	170857	Nut, 1/2-13 Hex	2
37	60254A	Bolt, 5/16 x 2.25 Shoulder	2
38	61299A	Hub, Driven	2
39	51225A	Bearing, Sealed	2
40	167312	Ring, Retainer Internal	2
41	61310A	Shaft, Driven	2
42	962973	Screw, 3/8-16 x 3/4 Flat Hd.	2
43	61335A	Retainer, Skirt	2
44	61751A	Plate, Skirt R.H.	1
45	61742A	Door, Brush	1
46	962285	Screw, 1/4-20 x 1.00 F.H.	4
47	61322A	Plate, Brush Door	2
48	53182A	Cap, Plug	2
49	30648A	Tube, Solution Assembly	1
50	77091A	Label, Moving Parts	1

**Clarke®**  
 FOCUS Rider Scrubber  
 32" *BOOST* Head Assembly Drawing 3/10  
 Drawing #11103A



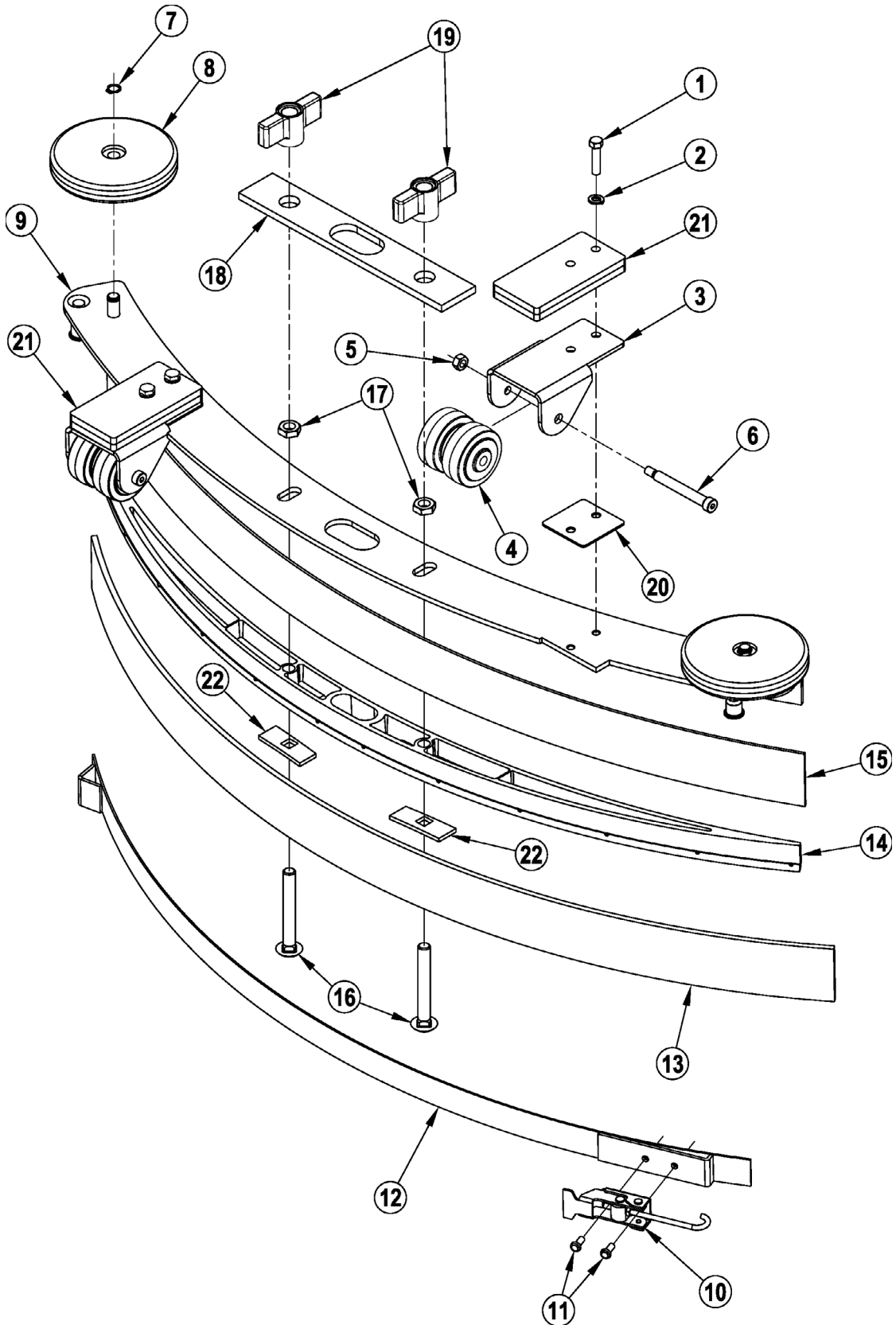
**Clarke®**  
**FOCUS Rider Scrubber**  
**32" BOOST™ Head Assembly Parts List 1/11**  
**Drawing #11103A**

Item	Ref. No.	Qty	Description
1	782002	3	Clamp, Manifold
2	920365	4	Nut 1/2-13 Nylock
3	925589	1	Pin, Roll
4	56001881	4	Scr, Flt Soc 1/4-20 X .75 <b>NOTE 1</b> TSBCL2010-12
5	962288	2	Bolt, 3/8-16 X 1.00 Hex Hd.
6	980022	4	Washer, Wave
7	85737a	1	Screw, 1/4-20 X 1/2 H.H.C.S.
8	980638	2	Washer, 3/8 Lock
9	980646	4	Washer, 1/4" Flat
10	980657	1	Washer, Lock 1/4
11	11002a	1	Tube Assembly, Drip 32"
12	30048a	4	Guide, Wheel
13	56380192	1	Shield Boost Bearing <b>NOTE 1</b> TSBCL2010-12
14	30663a	1	Plate, Driver
15	56380211	2	Kit-Flex Plate 32" <b>NOTE 1</b> TSBCL2010-12
16	30735a	8	Spacer, Lift Arm
17	56380247	1	Motor-24vdc
18	50248a	1	Clamp, Hose
19	50736a	1	Bearing
20	53493a	1	Pin, Quick Release Actuator Btm.
21	56380235	1	Isolator Kit, Boost 28",32" <b>NOTE 1</b> TSBCL2010-12
22	56380173	4	Bushing-Flex Plate <b>NOTE 1</b> TSBCL2010-12
23	61724a	1	Retainer, Eccentric
24#	56381721	1	Plate Weldt Boost 32
25	61753b	1	Eccentric
26	61775a	1	Retainer, Bearing
27	61782a	4	Sleeve, Guide Wheel
28	61816b	2	Bracket, Lift
29	61818a	1	Arm, Lift Weldment
30#	56381532	2	Stud Stabilizer_Short
31	71192a	2	Label No Step
32	80103a	2	Bolt, 3/8-24 X 1.0 Hex
33	80330a	4	Screw, 1/2-13 X 2 1/4 Gr. 5
34	81105a	2	Nut, 3/8-16 S.S. Esna
35	81217a	5	Nut, 1/4-20 Hex Esna
36	87618a	2	Washer, Flat .39 I.D. X .75 X .062
37	56003825	4	Scr-Button Soc Ss 10-32 <b>NOTE 1</b> TSBCL2010-12
38	84237a	3	Screw, 10-32 X .50 P.H.
39	85301a	4	Screw, 1/4-20 X 1 1/4 C.R.P.H.
40	85395a	3	Screw, 1/4-20 X 1/2" P.H.
41#	56381702	2	Decal-Boost Embossed

# = Revised or new since last update

**NOTE 1:** Customers ordering parts for machines built before April 2010 need to order 32" Flex Plate Kit 56380211 to replace any or all of these items for repair.

Clarke®  
FOCUS Rider Scrubber  
32" Squeegee Assembly 10129A 12/09  
Drawing # 10802A

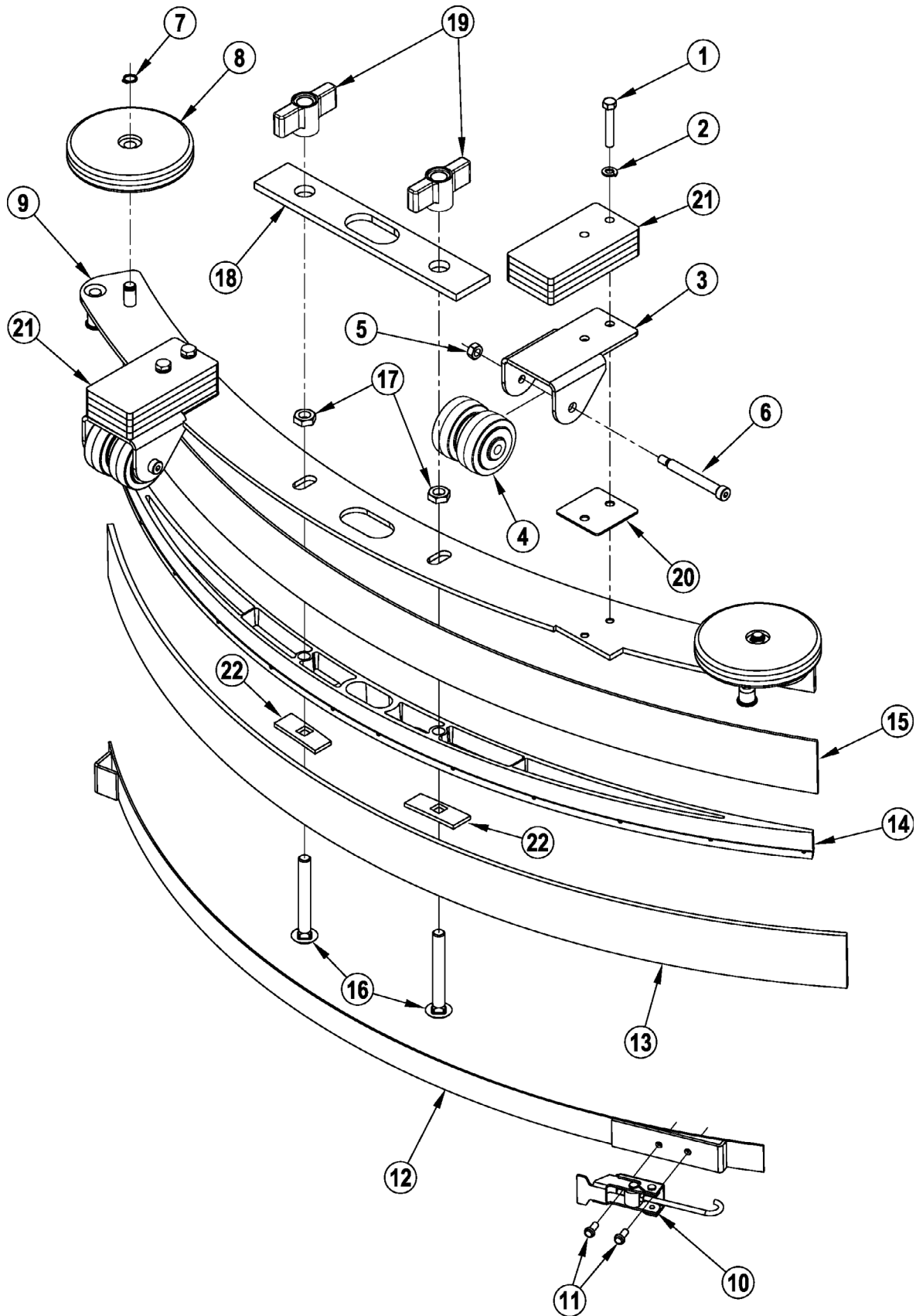




**Clarke®**  
**FOCUS Rider Scrubber**  
**32" Squeegee Assembly 10129A 12/09**  
**Drawing # 10802A**

<b>Ref. #</b>	<b>Part No.</b>	<b>Description</b>	<b>Qty</b>
1	80252A	Screw, 1/4-20 x 1 Hex SS	4
2	980657	Washer, 1/4 Lock	4
3	60243A	Bracket, Squeegee Wheel	2
4	30049B	Wheel, Squeegee	4
5	81104A	Nut, 1/4-20	2
6	60254A	Bolt, Shoulder 5/16" x 2 1/4"	2
7	53185A	Ring, 3/8" ID Snap	2
8	30048A	Wheel, Guide, 4 Inch Diameter	2
9	60234B	Channel, Squeegee Weldment 32"	1
10	50835A	Latch, Squeegee Clamp	1
11	930086	Rivet, 3/16 x .450 Aluminum	2
12	60232A	Strap, Clamp, Squeegee Retainer 32"	1
13	30556A	Blade, Rear, Gum Rubber, 32"	1
	30556L	Blade, Rear, Linatex	1
14	30047A	Spacer, Squeegee 32"	1
15	30066A	Blade, Front Ribbed 32"	1
	30764L1	Blade, Front Linatex Notched 32"	1
16	80011A	Screw, 3/8"-16 x 3	2
17	81301A	Nut, 3/8"-16 Jam SS	2
18	34260B	Gasket	1
19	25201B	Knob	2
20	60358A	Shim, Squeegee Wheel	2
21	61370A	Weight	4
22	80280A	Nut, Squeegee Backup	2

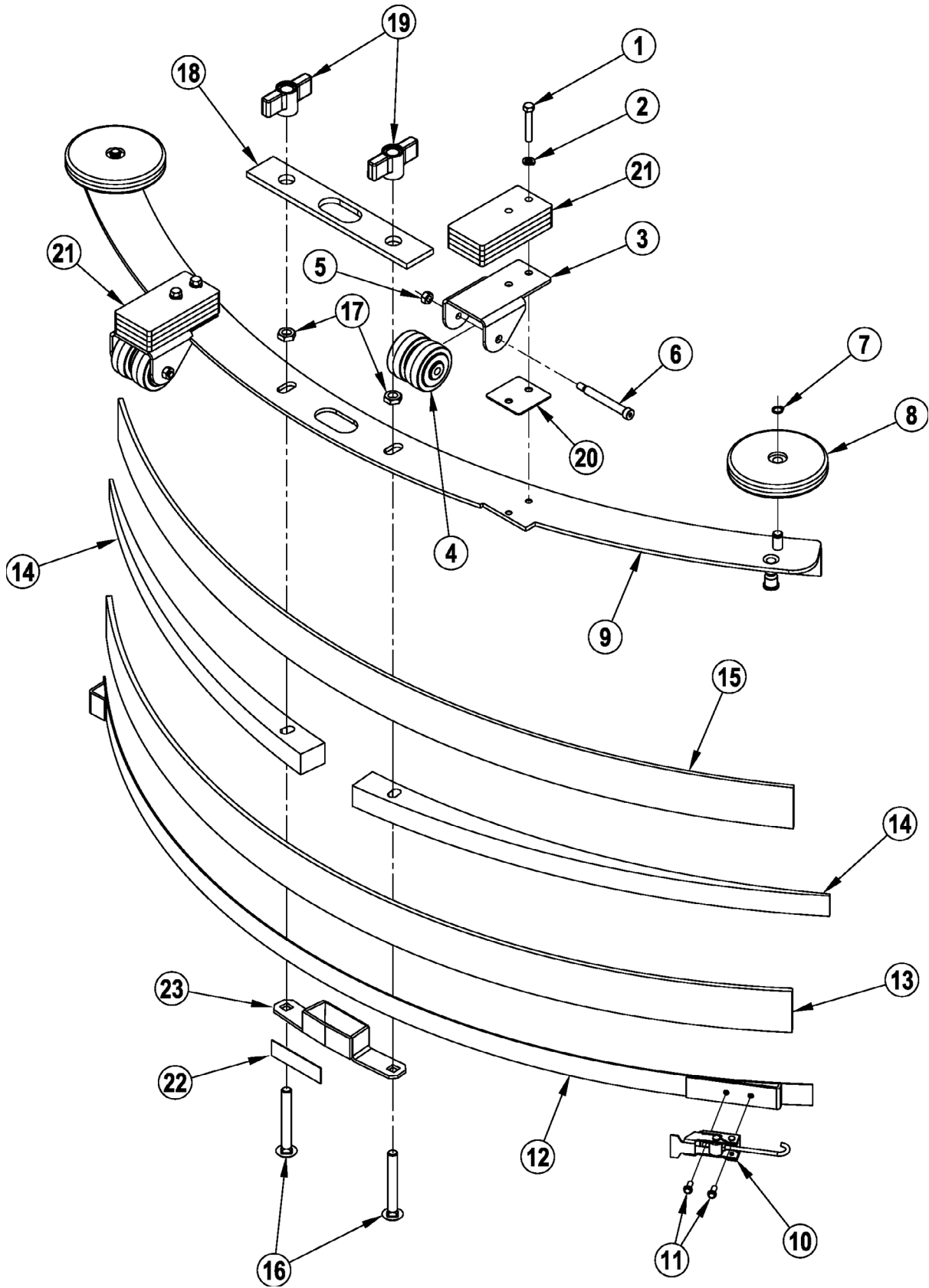
Clarke®  
FOCUS Rider Scrubber  
39" Squeegee Assembly 10068A 12/09  
Drawing # 10802A



**Clarke®**  
**FOCUS Rider Scrubber**  
**39" Squeegee Assembly 10068A 12/09**  
**Drawing # 10802A**

<b>Ref. #</b>	<b>Part No.</b>	<b>Description</b>	<b>Qty</b>
1	80253A	Screw, ¼-20 x 1½ Hex SS	4
2	980657	Washer, ¼ Lock	4
3	60243A	Bracket, Squeegee Wheel	2
4	30049B	Wheel, Squeegee	4
5	81104A	Nut, ¼-20	2
6	60254A	Bolt, Shoulder 5/16"x 2¼"	2
7	53185A	Ring, 3/8" ID Snap	2
8	30048A	Wheel, Guide, 4 Inch Diameter	2
9	60272B	Channel, Squeegee Weldment 39"	1
10	50835A	Latch, Squeegee Clamp	1
11	930086	Rivet, 3/16 x .450 Aluminum	2
12	60252A	Strap, Clamp, Squeegee Retainer 39"	1
13	30557A	Blade, Rear, Gum Rubber, 39"	1
	30717L1	Blade, Rear, Linatex Notched, 39"	1
	30557L	Blade, Rear, Linatex	1
14	30058A	Spacer, Squeegee 39"	1
15	30091A	Blade, Front Ribbed 39"	1
16	80011A	Screw, 3/8"-16 x 3	2
17	81301A	Nut, 3/8"-16 Jam SS	2
18	34260B	Gasket	1
19	25201B	Knob	2
20	60358A	Shim, Squeegee Wheel	2
21	61370A	Weight	8
22	80280A	Nut, Squeegee Backup	2

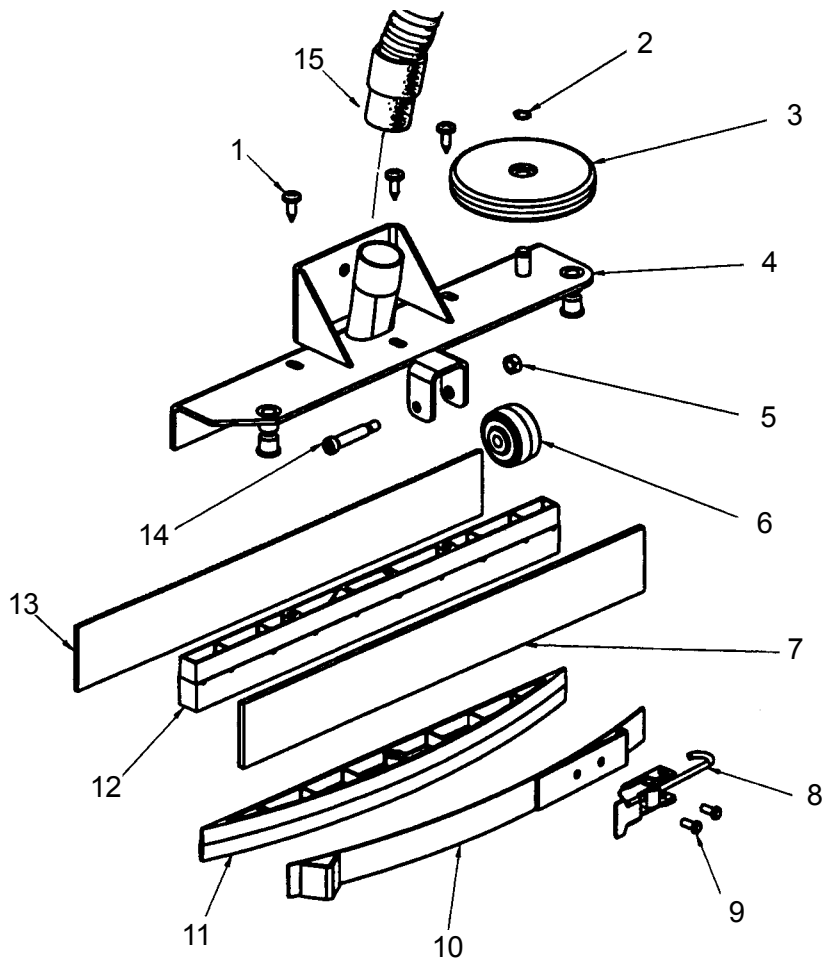
Clarke®  
FOCUS Rider Scrubber  
41" Squeegee Assembly 11041L 12/09  
Drawing # 11040L



**Clarke®**  
**FOCUS Rider Scrubber**  
**41" Squeegee Assembly 11041L 12/09**  
**Drawing # 11040L**

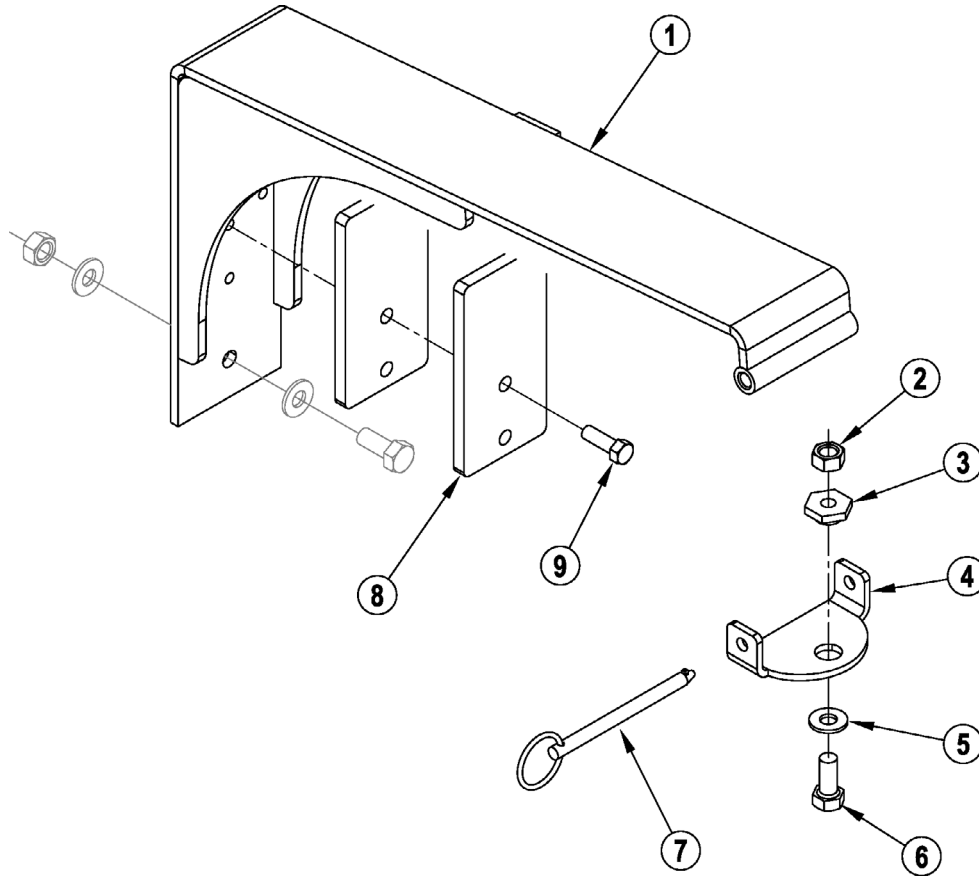
<b>Ref. #</b>	<b>Part No.</b>	<b>Description</b>	<b>Qty</b>
1	80253A	Screw, ¼-20 x 1½ Hex SS	4
2	980657	Washer, ¼ Lock	4
3	60243A	Bracket, Squeegee Wheel	2
4	30049B	Wheel, Squeegee	4
5	81104A	Nut, ¼-20	2
6	60254A	Bolt, Shoulder 5/16" x 2¼"	2
7	53185A	Ring, 3/8" ID Snap	2
8	30048A	Wheel, Guide, 4 Inch Diameter	2
9	61886A	Channel, Squeegee Weldment 41"	1
10	50835A	Latch, Squeegee Clamp	1
11	930086	Rivet, 3/16 x .450 Aluminum	2
12	61885A	Strap, Clamp, Squeegee Retainer 41"	1
13	30774L	Blade, Outer, Linatex, BOOST 41"	1
14	38726A	Spacer, Squeegee 41"	2
15	30773L2	Blade, Inner Linatex Notched , BOOST 41"	1
16	80011A	Screw, 3/8"-16 x 3	2
17	81301A	Nut, 3/8"-16 Jam SS	2
18	34260B	Gasket	1
19	25201B	Knob	2
20	60358A	Shim, Squeegee Wheel	2
21	61370A	Weight	8
22	37016A	Pad, Squeegee Grip	1
23	62712A	Duct, Squeegee Inlet	1

**Clarke®**  
**FOCUS Rider Scrubber**  
 Front Squeegee Assembly Drawing and Parts List 8/05  
 (Rotary Machines Only)  
 Drawing # 10694A



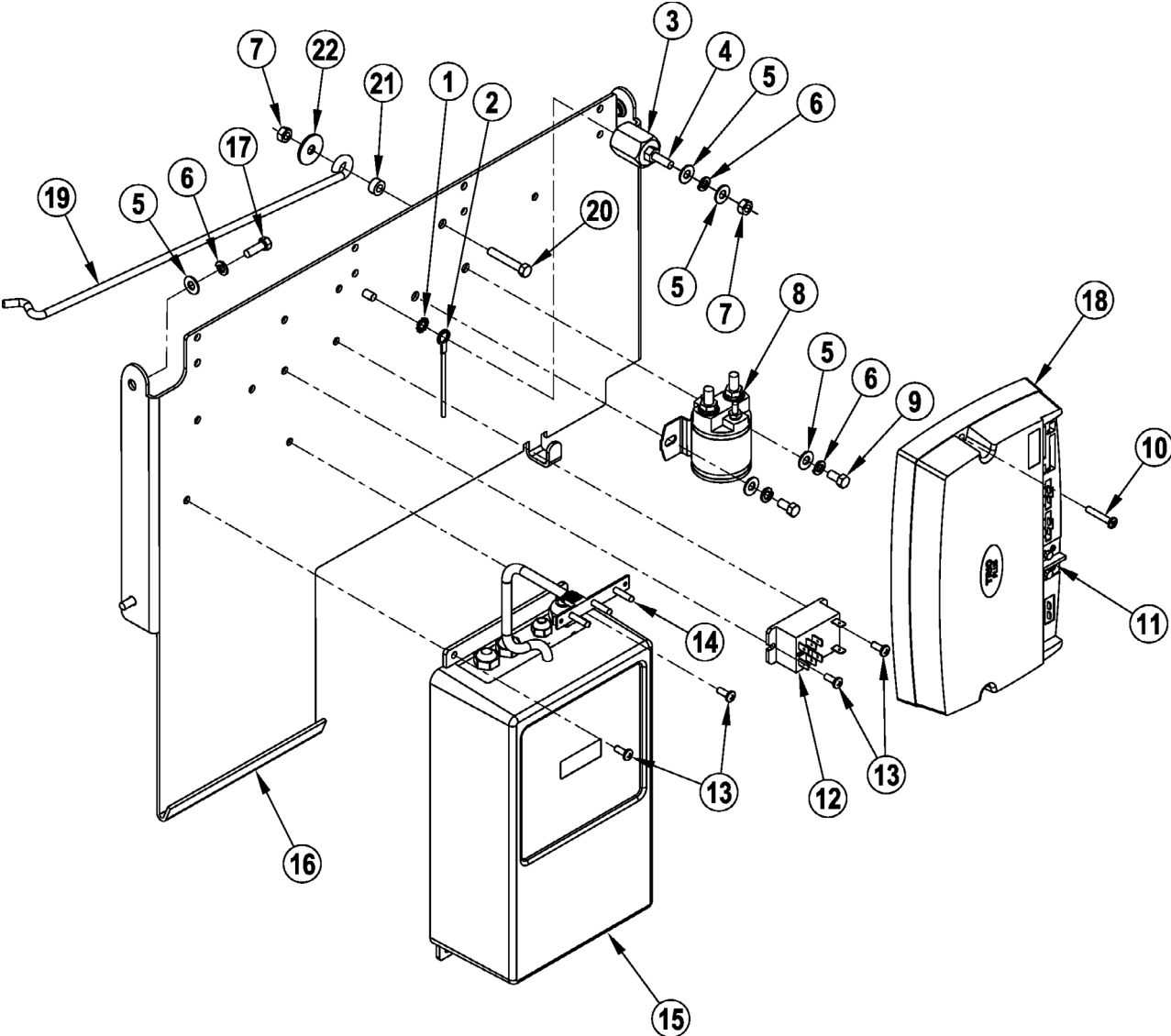
Ref	Part No.	Description	Qty
1	80275A	Screw, 1/4 - 14 x 3/4	3
2	53185A	Ring, Retainer	1
3	30048A	Wheel, Guide	1
4	61496A	Weldment, Fr. Squeegee Base	1
5	81104A	Nut, 1/4 Nylock	1
6	59932A	Wheel, Squeegee 1 5/8	1
7	30540A	Blade, Outer Gum Rubber	1
8	50835A	Latch, Squeegee Clamp	1
9	930086	Rivet, 3/16 x .450 Pan HD	2
10	61495A	Strap, Squeegee Weldment	1
11	53444A	Wedge, Secondary Squeegee	1
12	53443A	Spacer, Secondary Squeegee	1
13	30541A	Blade, Squeegee	1
14	80270A	Screw, 1/4 - 20 Shoulder	1
15	30569A	Hose, Sec. Squeegee	1

**Clarke®**  
**FOCUS Rider Scrubber**  
 Front Squeegee Arm Assembly Drawing and Parts List 12/09  
 (Rotary Machine Only)  
 Drawing # 10696A



Ref	Part No.	Description	Qty
1	61548A	Arm, Weldment Squeegee	1
2	81112A	Nut, 5/16-18 Thin ESNA	2
3	67867A	Spacer, Squeegee Swivel	1
4	60256A	Arm, Squeegee Pivot	1
5	980651	Washer, 5/16 Flat	3
6	85811A	Screw, 5/16-18 x 3/4 Hex Head	2
7	53491A	Pin, Quick Release	1
8	61370A	Weight	2
9	170915	Screw, 1/4-20 X 3/4 Hx Hd(Ss)	2

**Clarke®**  
FOCUS Rider Scrubber  
Electrical Panel Assembly Drawing and Parts List 12/09  
Drawing # 11091A, 107825, 109613, 109895





**Clarke®**  
**FOCUS Rider Scrubber**  
 Electrical Panel Assembly Drawing and Parts List 1/11  
 Drawing # 11091A, 10782S, 10961S, 10989S

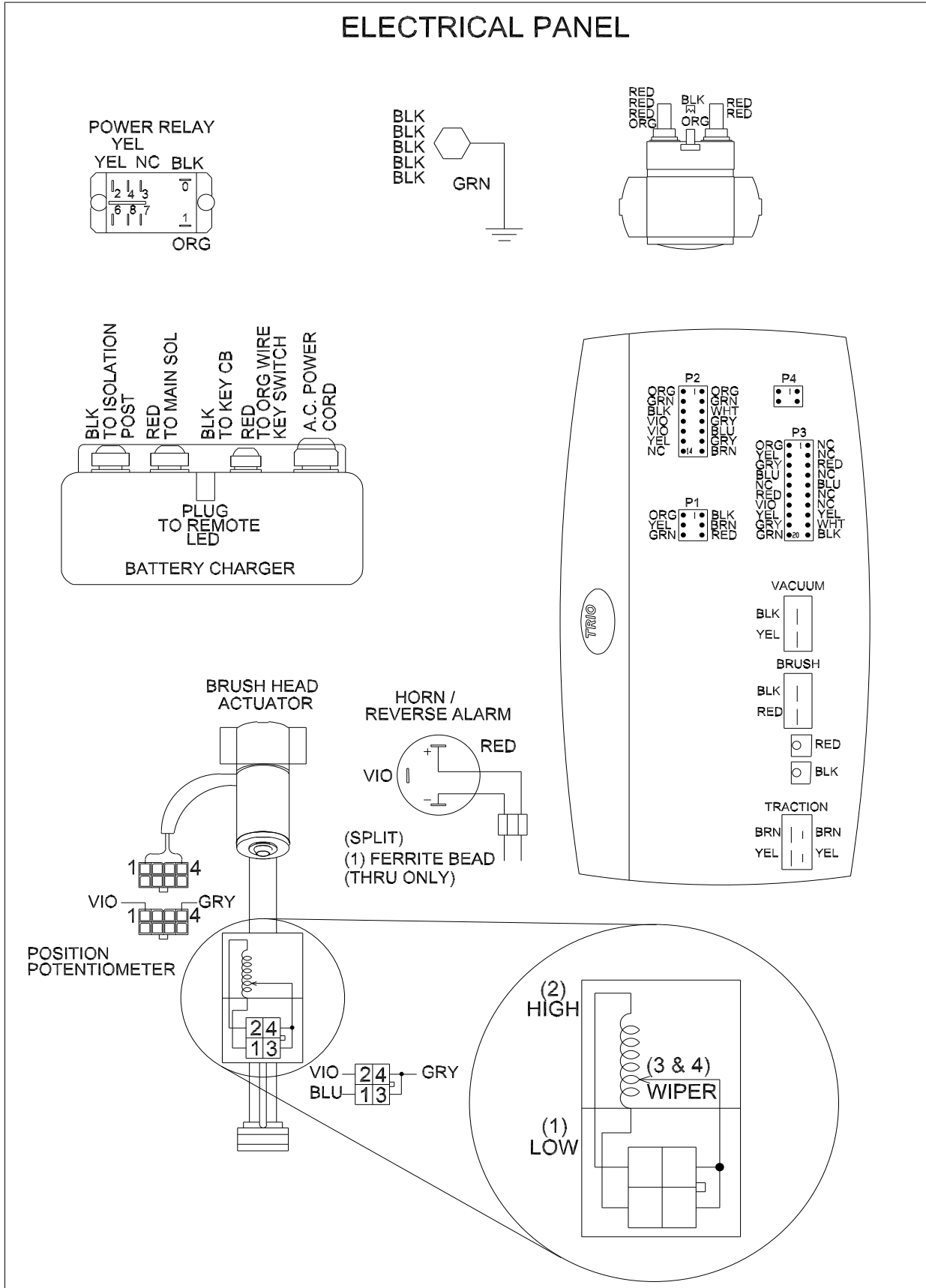
Ref	Part No.	Qty	Description
1	980614	1	Washer, 1/4" Starlock Ext.
2	40932A	1	Harness, Main Power
3	854849	1	Post, Isolation
4	83302A	1	Stud, 1/4-20
5	87026A	8	Washer, 1/4 Flat SS
6	980657	7	Washer, Lock 1/4
7	81104A	2	Nut, 1/4" Nylock
8	41801A	1	Contact, Main 36V
9	962430	2	Screw, 1/4-20 x 1/2 HHCS
10	56009334	1	Scr-Pan Phil 10-32 x 1.12
11	53790A	1	Controller, 32" Main
12	40892A	1	Relay
13	962929	4	Screw, 10-32 x 3/8"
14	40853A	1	Display, Battery Charger
15	40728A	1	Charger, 36V Battery w/display
16	61558A	1	Plate, Electrical Panel
17	962086	4	Screw, 1/4-20 x 3/4 Hex Head
18#	53791A	1	Main Controller, 28" <b>TSBCL2010-16</b>
#	53792A	1	Main Controller, 34" Rotary <b>TSBCL2010-16</b>
#	53790B	1	Main Controller, 32" BOOST <b>TSBCL2010-16</b>
#			<b>DELETED</b>
19	61876B	1	Rod, Seat Prop
20	86004A	1	Screw, 1/4-20 x 1.50 H.H. C.S.
21	54087A	1	Spacer, 1/4 Id x 1/2 Od x 1/4 Lg.
22	980205	1	Washer, .31 Id x 1.06 Od
[ ]	77092A	1	Label, Gases and Chemical
[ ]	70794A	1	Label, Battery Connection
[ ]	41217A	1	Cable, Battery Series
[ ]	40896A	1	Cable, 32" Neg. Battery
[ ]	40895A	1	Cable, 24" Pos. Battery
[ ]	40882A	1	Cable, 200 Amp Fus. Battery
[ ]	40934A	1	Harness, Logic

[ ] = Not Shown

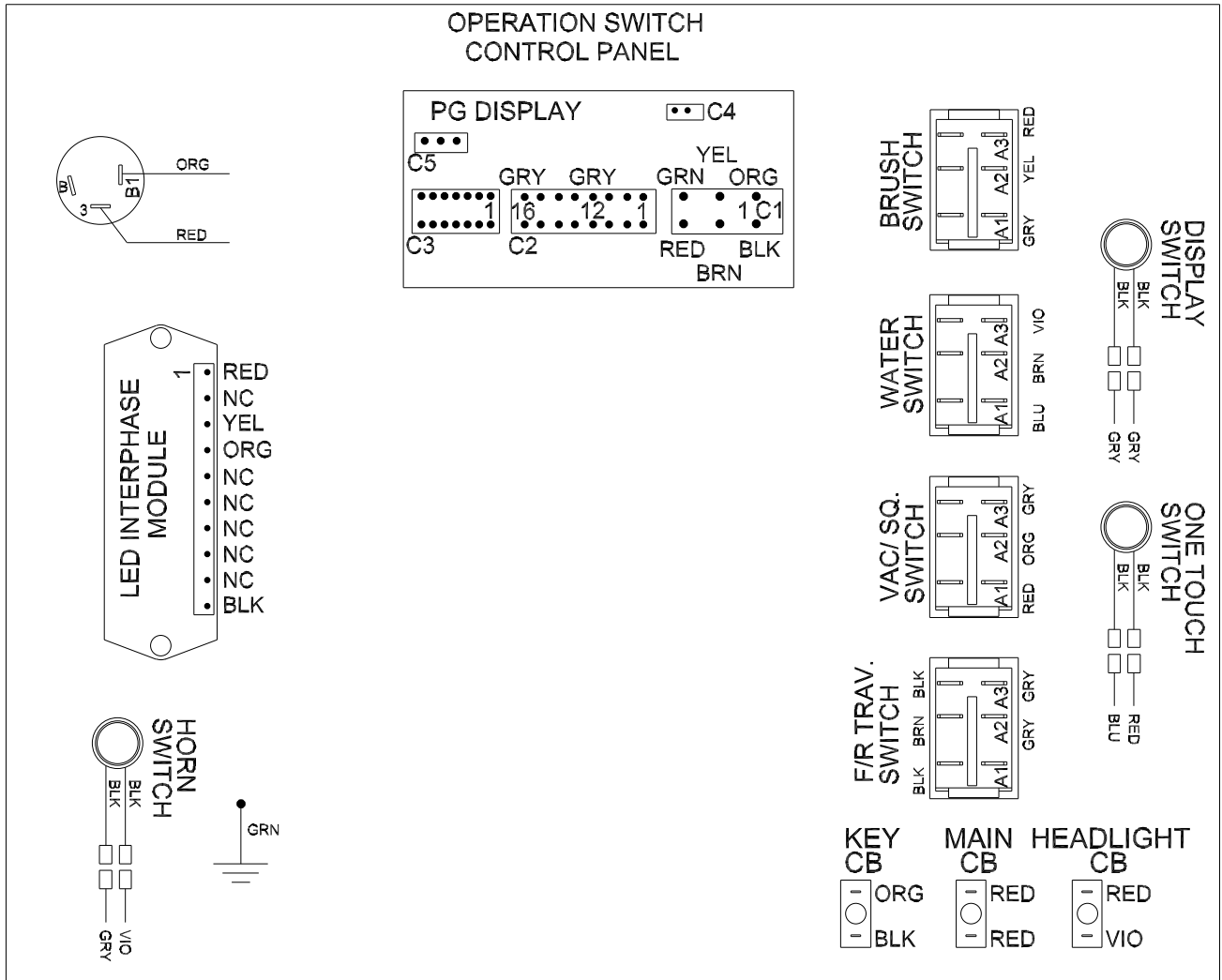
# = Revised or new since last update

**Clarke®**  
**FOCUS Rider Scrubber**  
**Electrical Connection Diagram 8/06**  
**(pages 124-127)**

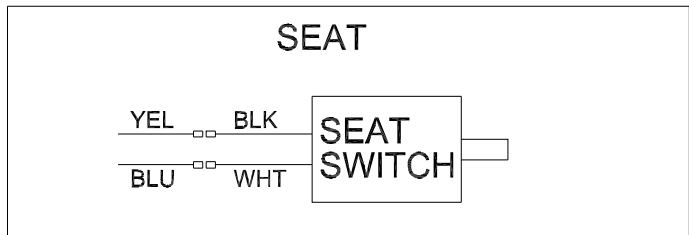
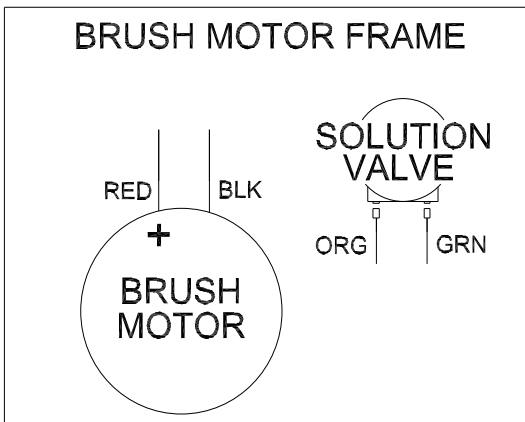
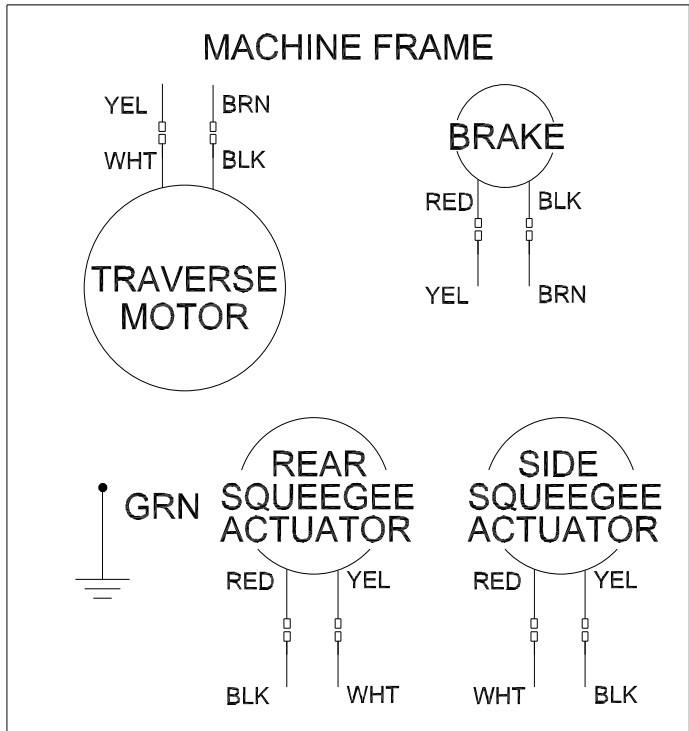
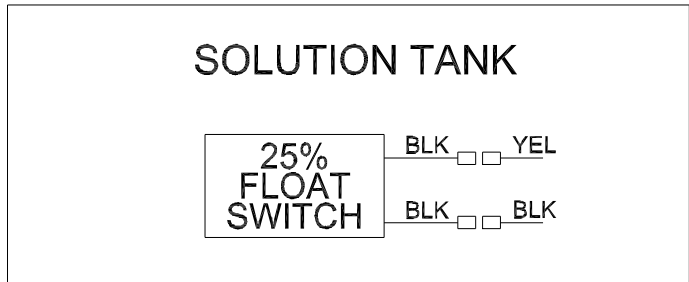
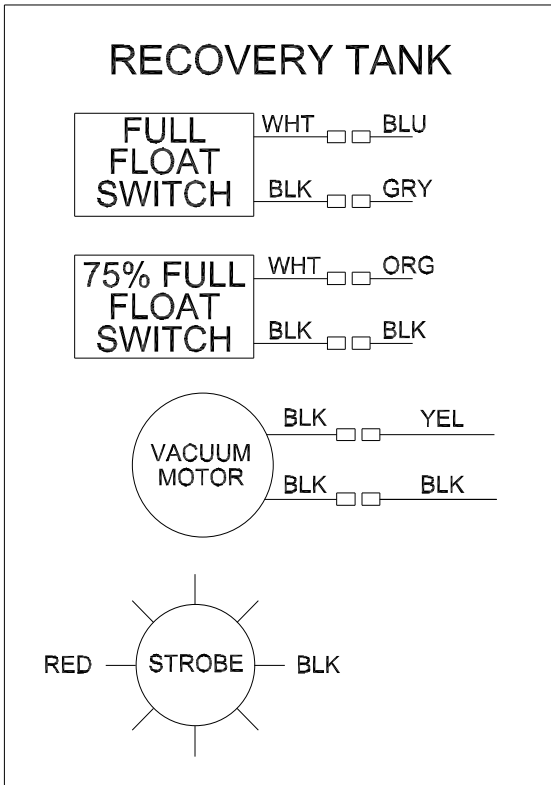
## ELECTRICAL PANEL



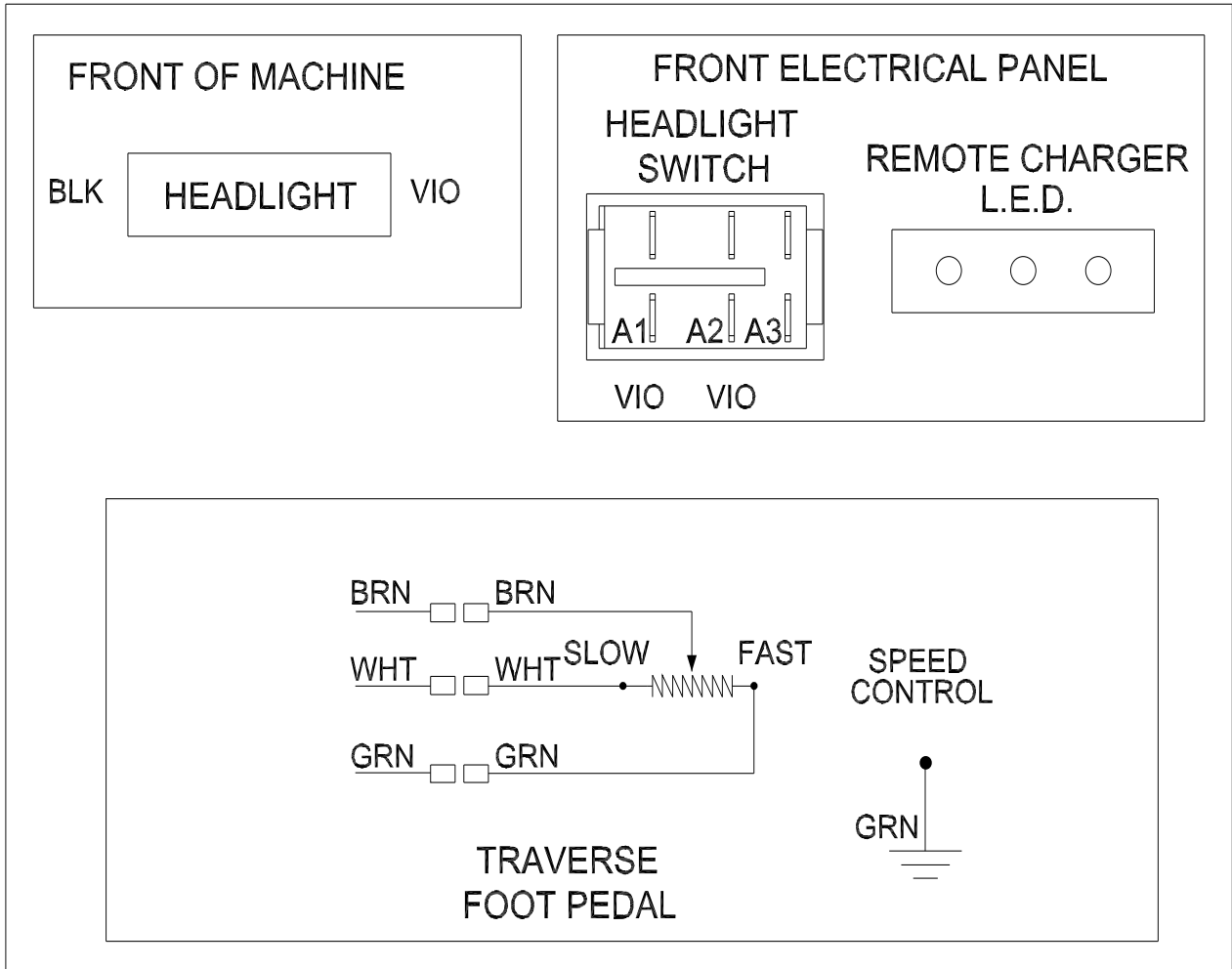
**Clarke®**  
**FOCUS Rider Scrubber**  
**Electrical Connection Diagram 8/06**  
**(pages 124-127)**



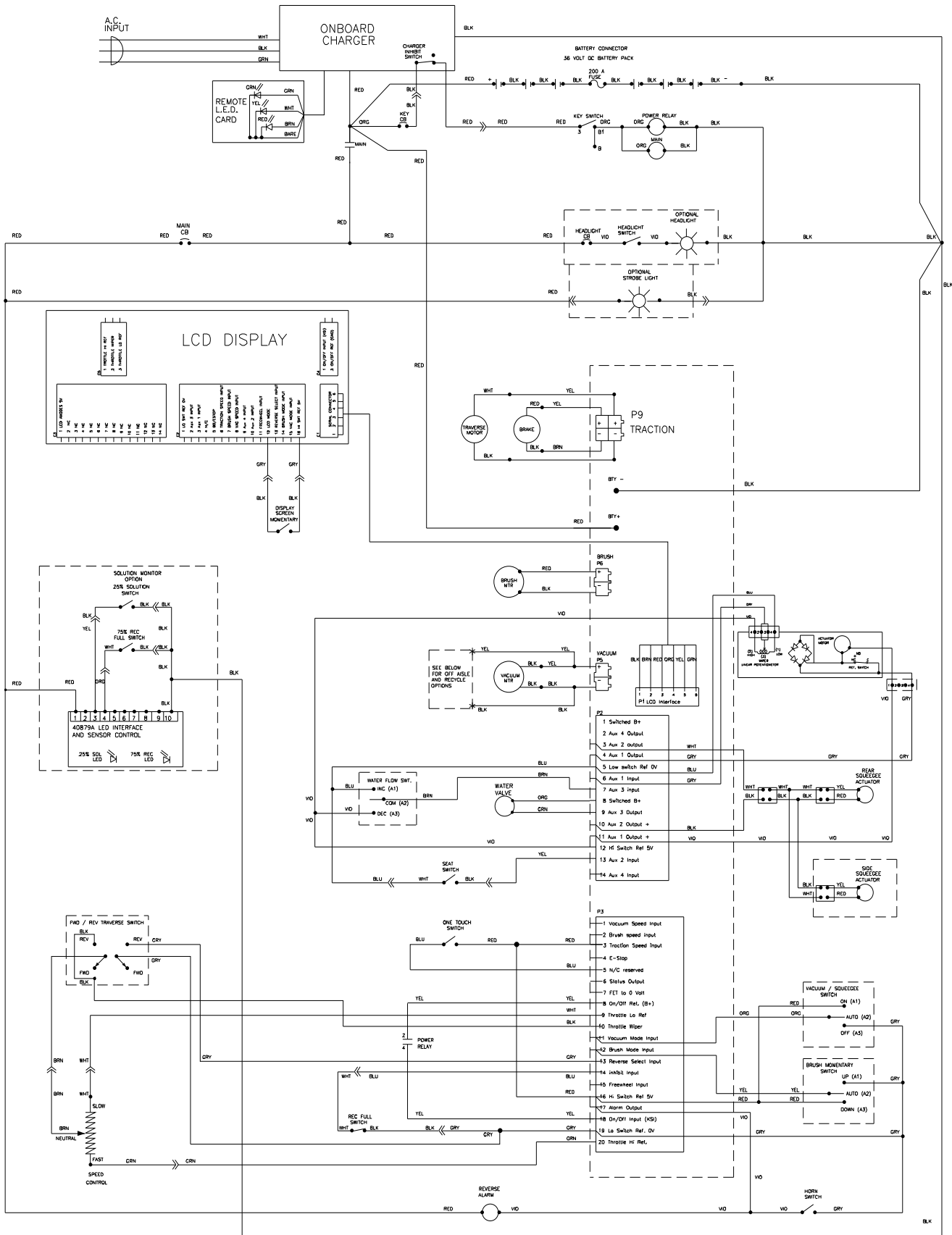
**Clarke®**  
 FOCUS Rider Scrubber  
 Electrical Connection Diagram 8/06  
 (pages 124-127)



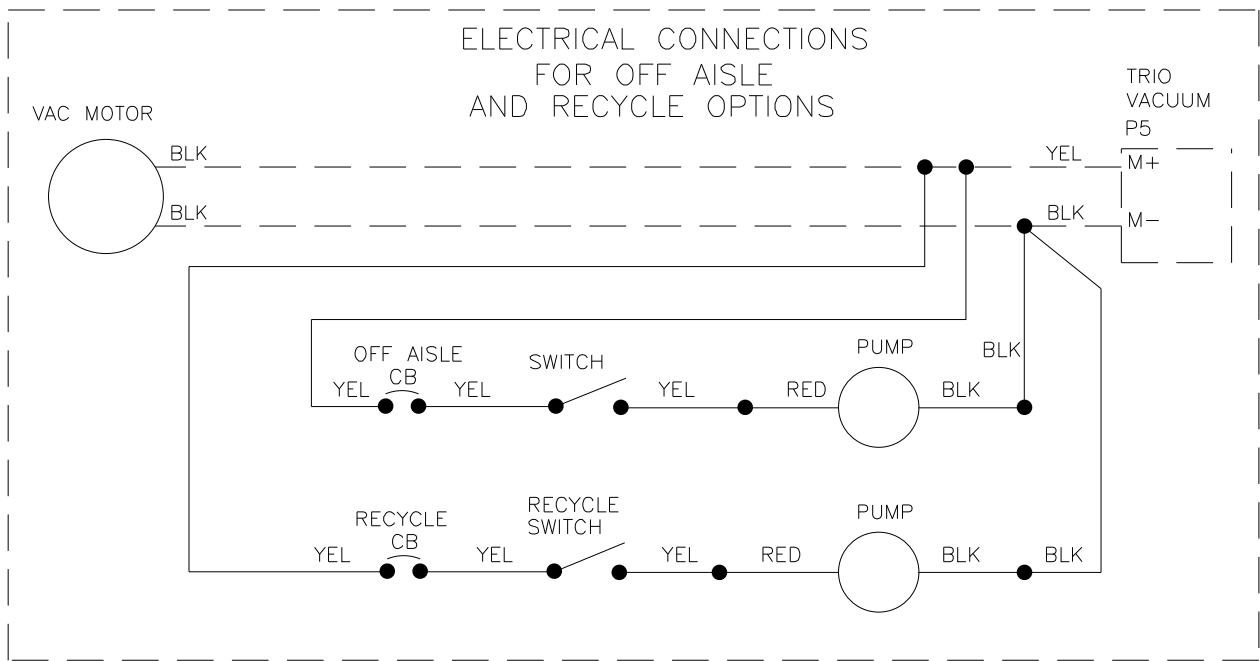
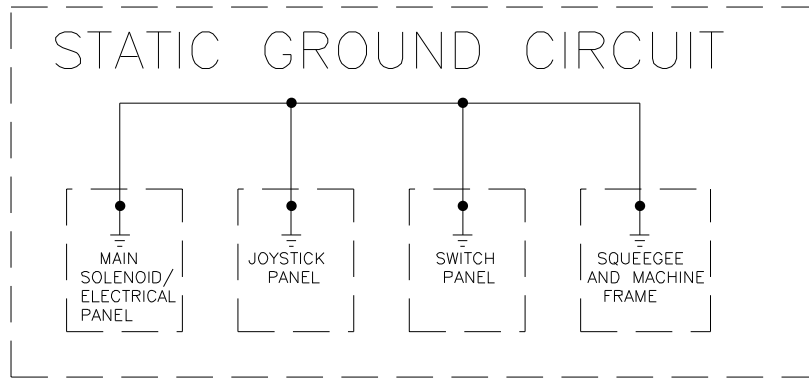
**Clarke®**  
 FOCUS Rider Scrubber  
 Electrical Connection Diagram 8/06  
 (pages 124-127)



# Clarke® FOCUS Rider Scrubber Electrical Schematic 8/06



**Clarke®**  
**FOCUS Rider Scrubber**  
**Rider Electrical Options and Ground Connections 8/06**



**ACCESSORIES AND OPTIONS****BRUSHES AND PAD DRIVERS****28" Disc Model****PART NO. DESCRIPTION**

38036A	Pad Driver Assembly (2 req.)
10383A	Lite Grit Disc Brush (2 req.)
11431B	Clean Grit Abrasive (2 req.)
11426B	Supergrit (2 req.)
11427B	Polypropylene (2 req.)
10874A	Nylon (2 req.)

**PART NO.****34" Disc Model****DESCRIPTION**

38034A	Pad Driver Assembly (2 req.)
10384A	Lite Grit Disc Brush (2 req.)
11430B	Clean Grit Abrasive (2 req.)
11425B	Supergrit (2 req.)
11424B	Polypropylene (2 req.)
10875A	Nylon (2 req.)

**28" Cylindrical Model****PART NO.****DESCRIPTION**

30614A	Polypropylene (2 req.)
30615A	Nylon (2 req.)
30616A	Clean Grit Abrasive (2 req.)
30617A	Supergrit (2 req.)
30619A	Lite Grit (2 req.)

**32" BOOST Model****PART NO.****DESCRIPTION**

997004	Pads, Red 14 x 32 (5 Pack)
997003	Pads, Black 14 x 32 (5 Pack)
997005	Pads, White 14 x 32 (5 Pack)
997007	Pads, Blue 14 x 32 (5 Pack)

**SQUEEGEE BLADES****28" Disc Model****PART NO.****DESCRIPTION**

30556A	Rear Squeegee, Back Gum Rubber Blade
30056L	Rear Squeegee, Back Linatex Blade
30066A	Rear Squeegee, Front Ribbed Urethane Blade
30764L1	Rear Squeegee, Front Linatex Blade
30540A	Side Squeegee, Back Gum Rubber Blade
30540L	Side Squeegee, Back Linatex Blade
30541A	Side Squeegee, Front Ribbed Urethane Blade

**34" Disc Model & 28" Cylindrical Model****PART NO.****DESCRIPTION**

30557A	Rear Squeegee, Back Gum Rubber Blade
30557L	Rear Squeegee, Back Linatex Blade
30091A	Rear Squeegee, Front Ribbed Urethane Blade
30717L1	Rear Squeegee, Front Linatex Blade
30540A	Side Squeegee, Back Gum Rubber Blade
30540L	Side Squeegee, Back Linatex Blade
30541A	Side Squeegee, Front Ribbed Urethane Blade

**32" BOOST Model****PART NO.****DESCRIPTION**

30773L2	Rear Squeegee, Front Blade, Linatex 3/16
38727A	Rear Squeegee, Front Blade, Urethane Ribbed
30774A	Rear Squeegee, Back Blade, Gum Rubber
30774L	Rear Squeegee, Back Blade, Linatex 3/16

**FIELD INSTALLED OPTION KITS****PART NO.****DESCRIPTION**

10880A	ESP - Extra Scrub Productivity, Recycling
10881A	Off Aisle Spray Tool and Vac Wand (includes pump)
10876A	Solution and Recovery Tank Level Indicator Lights
10877A	Caution Strobe Light (Amber)
10816A	Recovery Tank Clean Out Port
10879A	Head Light
53390A	CBMS - Clarke Battery Maintenance System
53572A	Seat Belt Kit
11079A	Chemical Mixing System
11036A	Chemical Mixing System Spare Tank





**Clarke<sup>®</sup>**

14600 21st Avenue North  
Plymouth, MN 55447-3408

[www.clarkeus.com](http://www.clarkeus.com)

Phone: 800-253-0367

Fax: 800-825-2753

©2010 Nilfisk-Advance, Inc.

---

**A Nilfisk-Advance Brand**