

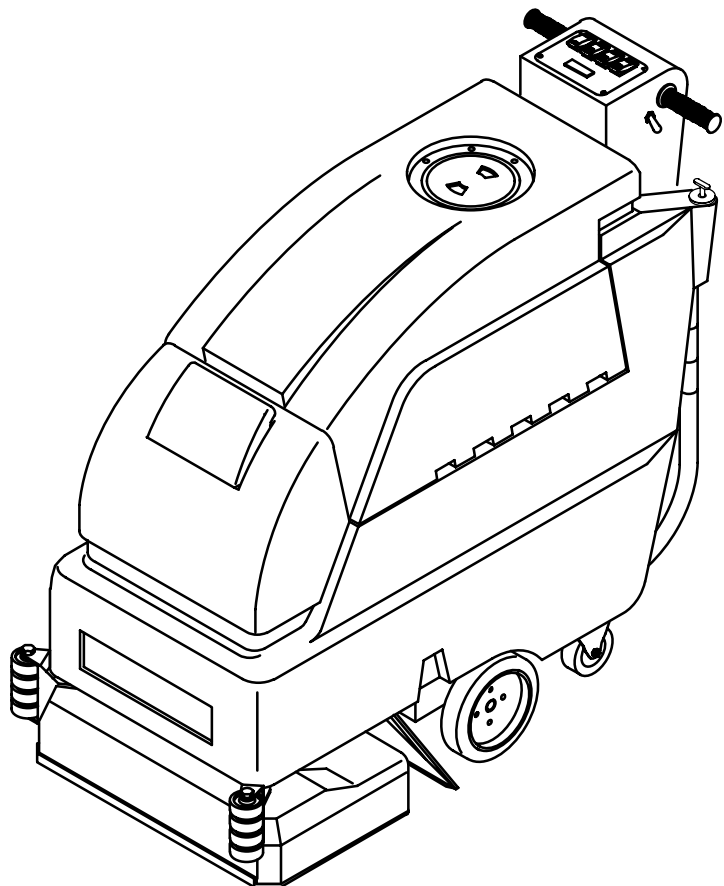


# Falcon™ Ultra B

Battery Automatic Carpet Extractor

Model No.:  
608350  
608351 – Pac

Operator and Parts Manual



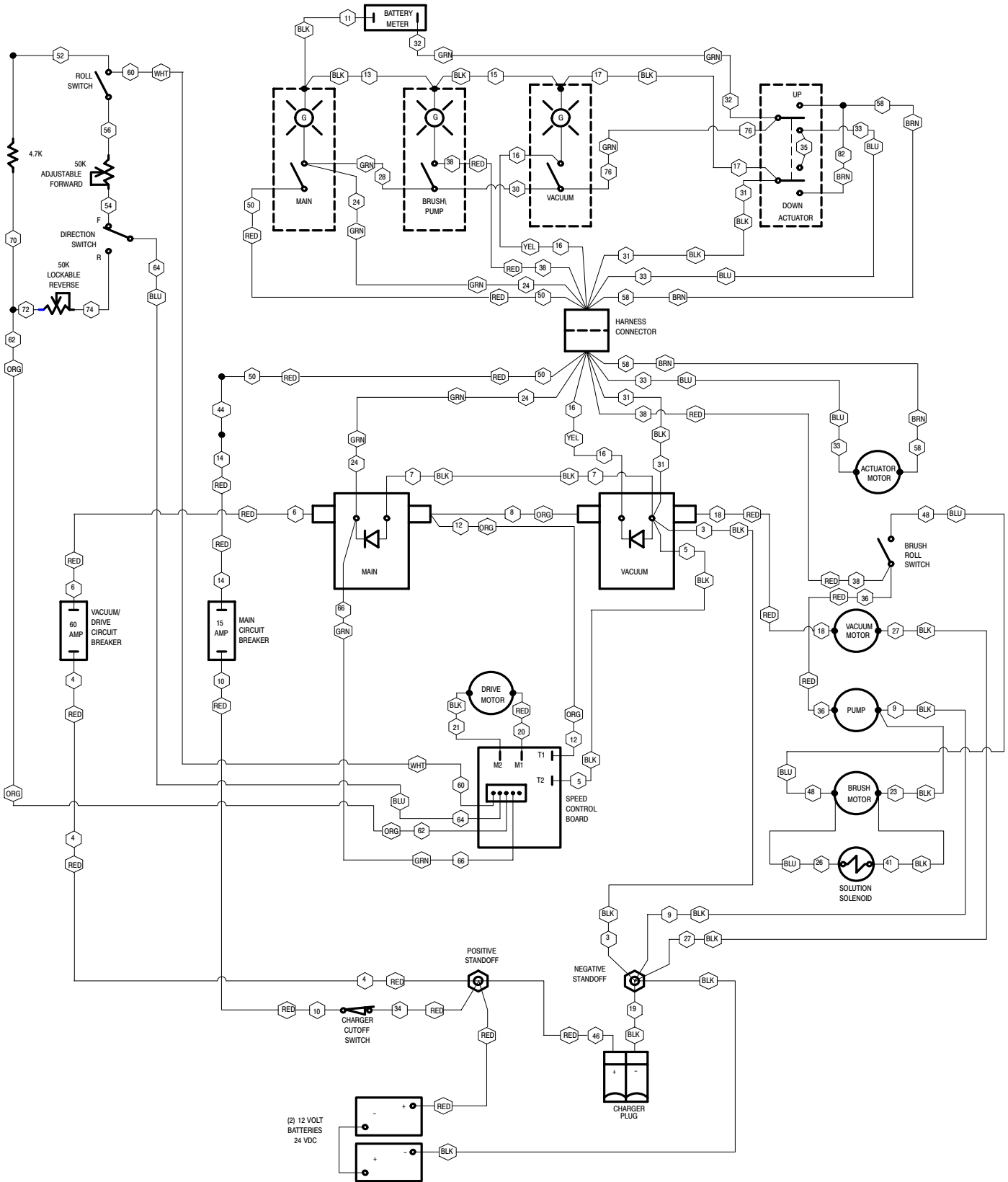
**NOBLES**  
12875 RANSOM STREET  
HOLLAND MI 49424 U.S.A.

CUSTOMER SERVICE: 1-800-365-6625  
FAX: 1-800-678-4240

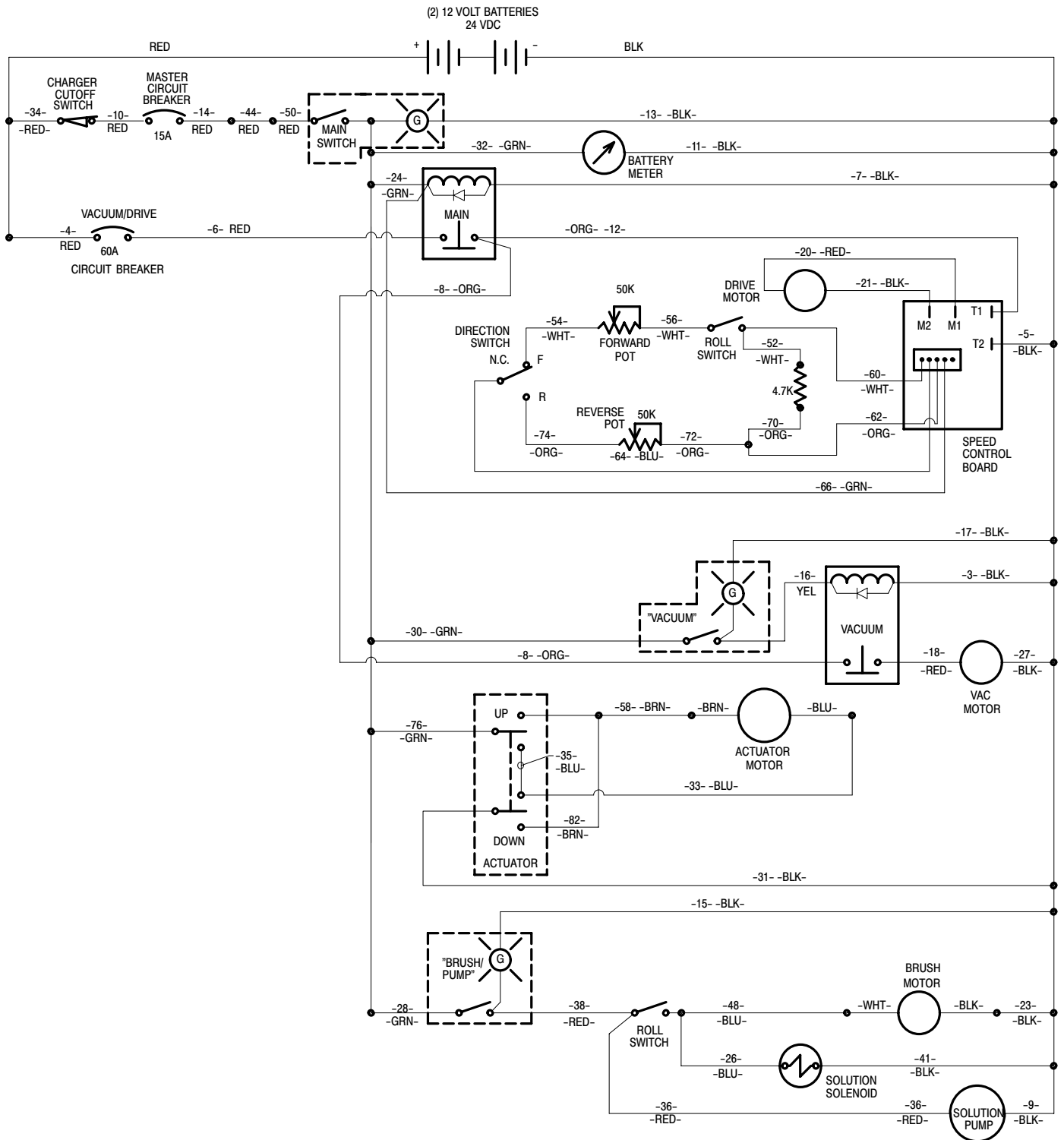
608418  
Rev. 01 (02-02)

# ELECTRICAL DIAGRAM

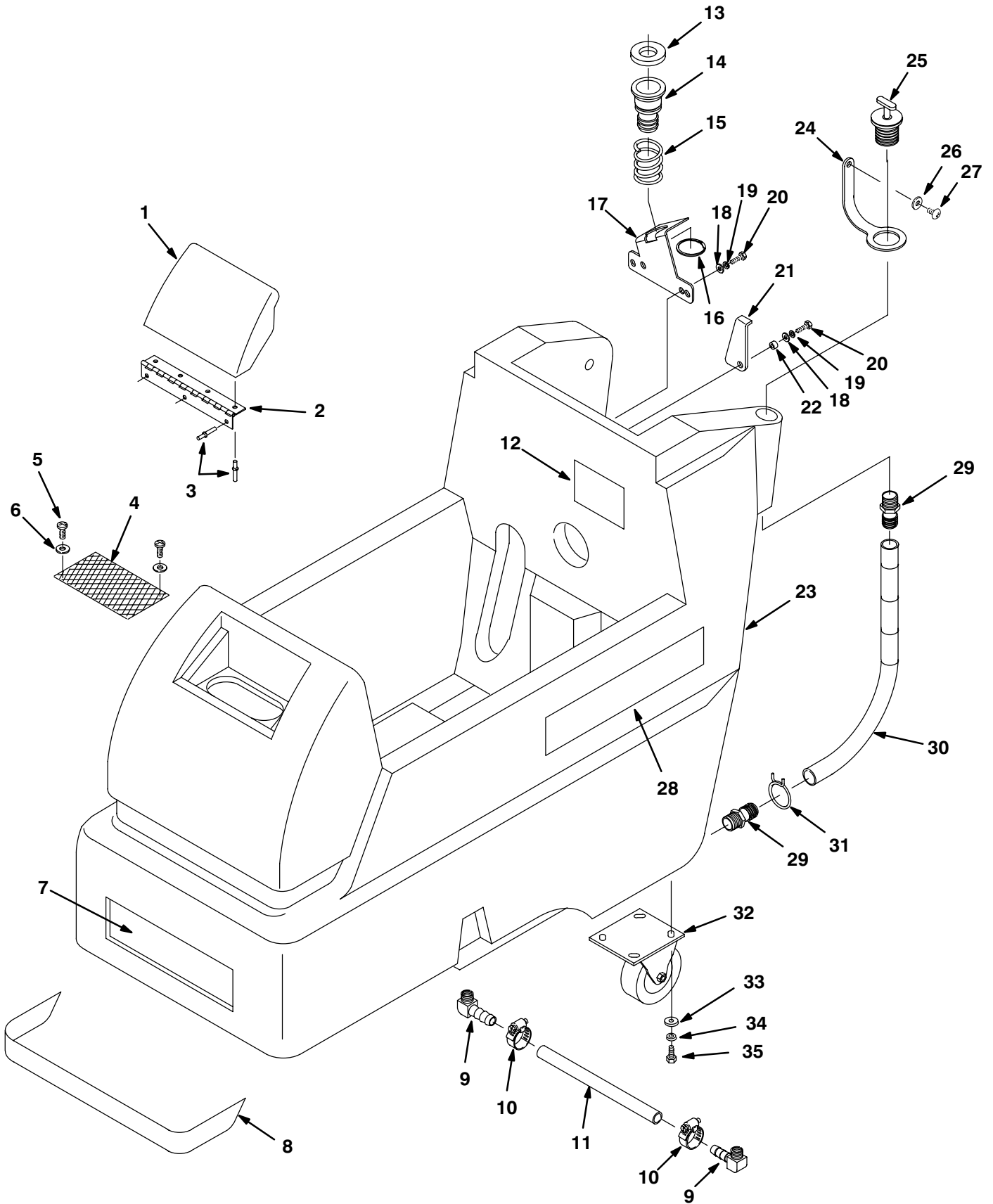
## WIRE DIAGRAM



## LADDER DIAGRAM



SOLUTION TANK GROUP



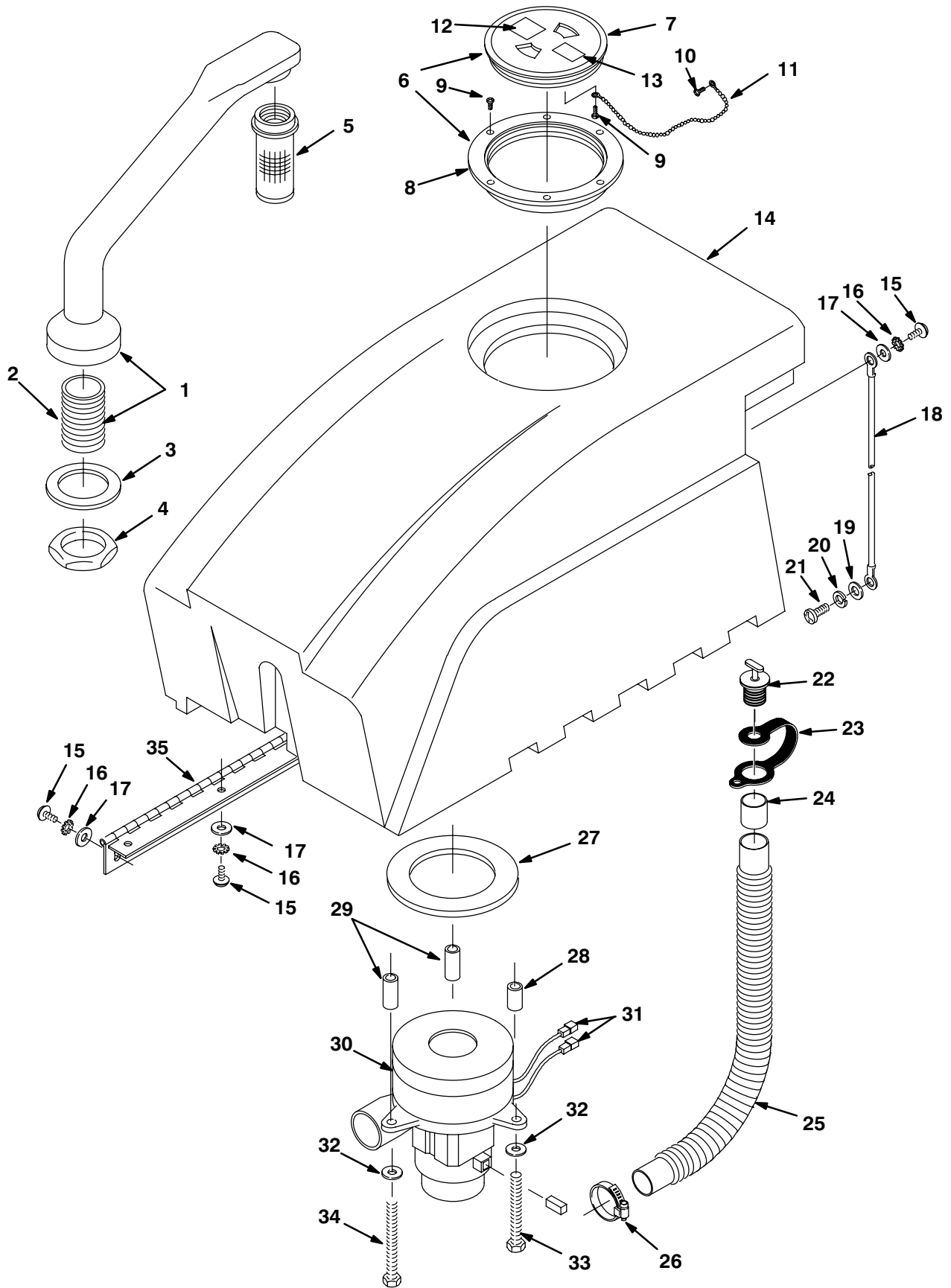
## SOLUTION TANK GROUP

REF	PART #	DESCRIPTION	QTY.
1	612518	COVER, TANK, GREEN	1
2	611068	HINGE, COVER	1
3	140706	RIVET, POP	7
4	602529	SCREEN, FILL	1
5	3701.6	SCREW, #6X3/8	2
6	140032	WASHER, FLAT	2
7	608184	DECAL, "NOBLES"	1
8	600730	DECAL, RECESS	1
9	150419	ELBOW, 1/4M X 3/8H 90°	2
10	140310	CLAMP	2
11	607310	HOSE, 3/8" X 17.5"	1
12	603233	DECAL, BATTERY DIAGRAM	1
13	630010	●GASKET	1
14	630011	TUBE, ADAPTER	1
15	630267	SPRING, COMP	1
16	630016	RING, RETAINING	1
17	608706	BRACKET, VAC TUBE	1
18	140027	WASHER, FLAT	3

REF	PART #	DESCRIPTION	QTY.
19	140015	WASHER, LOCK	3
20	200031488	SCREW, M8X1.25X20MM	3
21	230925	SUPPORT, RECOVERY TANK	1
22	611418	SLEEVE	1
23	608295	TANK, SOLUTION, GREEN	1
24	600476	STRAP, PLUG	1
25	621324	●PLUG, EXPANSION	1
26	140011	WASHER, FLAT	1
27	140350	SCREW, #10X1/2	1
28	608417	DECAL, FALCON ULTRA B	2
29	150529	FITTING, 3/4 HOSE BARB	2
30	607983	HOSE, W/LEVEL INDICATORS	1
31	608915	CLAMP, HOSE 2 WIRE	1
32	612056	CASTER 4"	2
33	140036	WASHER, FLAT	8
34	140333	WASHER, LOCK	8
35	140277	SCREW, M10X1.5X20MM	8

● RECOMMENDED STOCK ITEMS

RECOVERY TANK GROUP



## RECOVERY TANK GROUP

REF	PART #	DESCRIPTION	QTY.
▽ 1	701103	ASM.,STANDPIPE	1
▲ 2	606088	NIPPLE	1
3	101714	●GASKET	1
4	210240	NUT, FLANGED	1
5	180613	●FLOAT, SHUTOFF	1
▽ 6	100102	●ASM.,LID CLEAR W/STD HOLE	1
▲ 7	100105	●LID, CENTER CLEAR ONLY	1
▲ 8	100109	●LID, OUTER RING ONLY	1
9	140826	SCREW, #6X3/4	7
10	3701.6	SCREW, #6X3/8	1
11	230513	ASM., CHAIN	1
12	578729	DECAL, READ MANUAL	1
13	120906	DECAL, IMPORTANT DRAIN...	1
14	608297	TANK, RECOVERY, GREEN	1
15	578187000	SCREW, M06X12MM	12
16	140052	WASHER, LOCK	12
17	140000	WASHER, FLAT	12
18	140960	CABLE, SUPPORT	1
19	140027	WASHER, FLAT	1

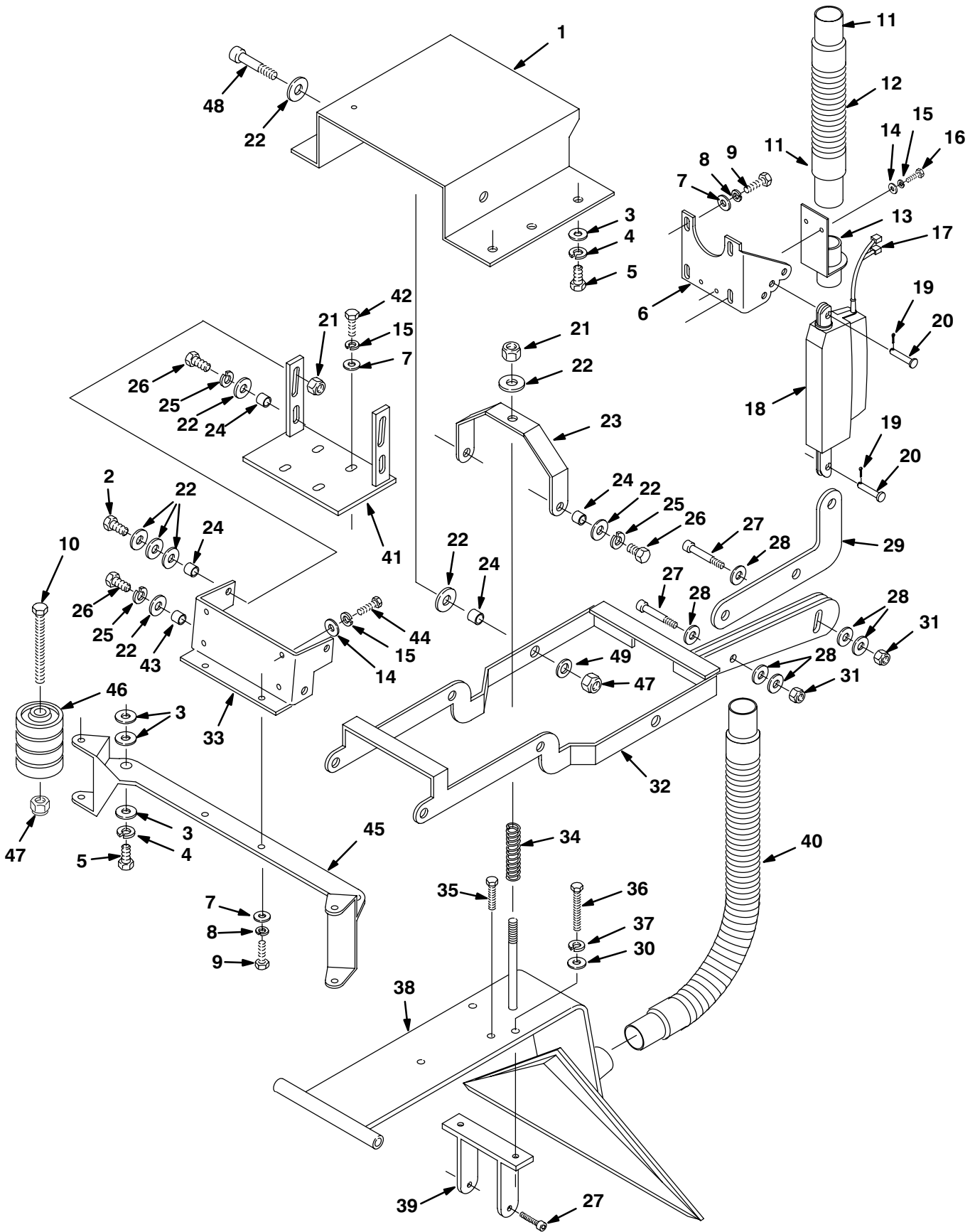
REF	PART #	DESCRIPTION	QTY.
20	140015	WASHER, LOCK	1
21	200031488	SCREW, M08X20MM	1
▽	603217	ASM., DRAIN HOSE	1
▲ 22	621324	PLUG, EXPANSION	1
▲ 23	578441	STRAP	1
▲ 24	630394	SLEEVE	1
▲ 25	630068	HOSE, DRAIN	1
▲ 26	140308	CLAMP	1
27	100001	●GASKET, VAC MOTOR	1
28	019686055	SPACER 6.5X15.8X6.4	1
29	603963	SPACER 6.5X12.7X41.2	2
30	602656	●MOTOR, VAC 7.2 2 STG 24 VDC	1
	604403	CARBON BRUSH, SET OF 2	1
31	130192	TERMINAL, MALE 1/4 #10 12-10	2
32	140000	WASHER, FLAT	3
33	200031441	SCREW M6X1.0X25 HXHDCP	1
34	603962	SCREW M6X1.0X60 HXHDCP	2
35	600311	●HINGE, RECOVERY TANK	1

▽ ASSEMBLY

▲ INCLUDED IN ASSEMBLY

● RECOMMENDED STOCK ITEMS

LIFT GROUP





## LIFT GROUP

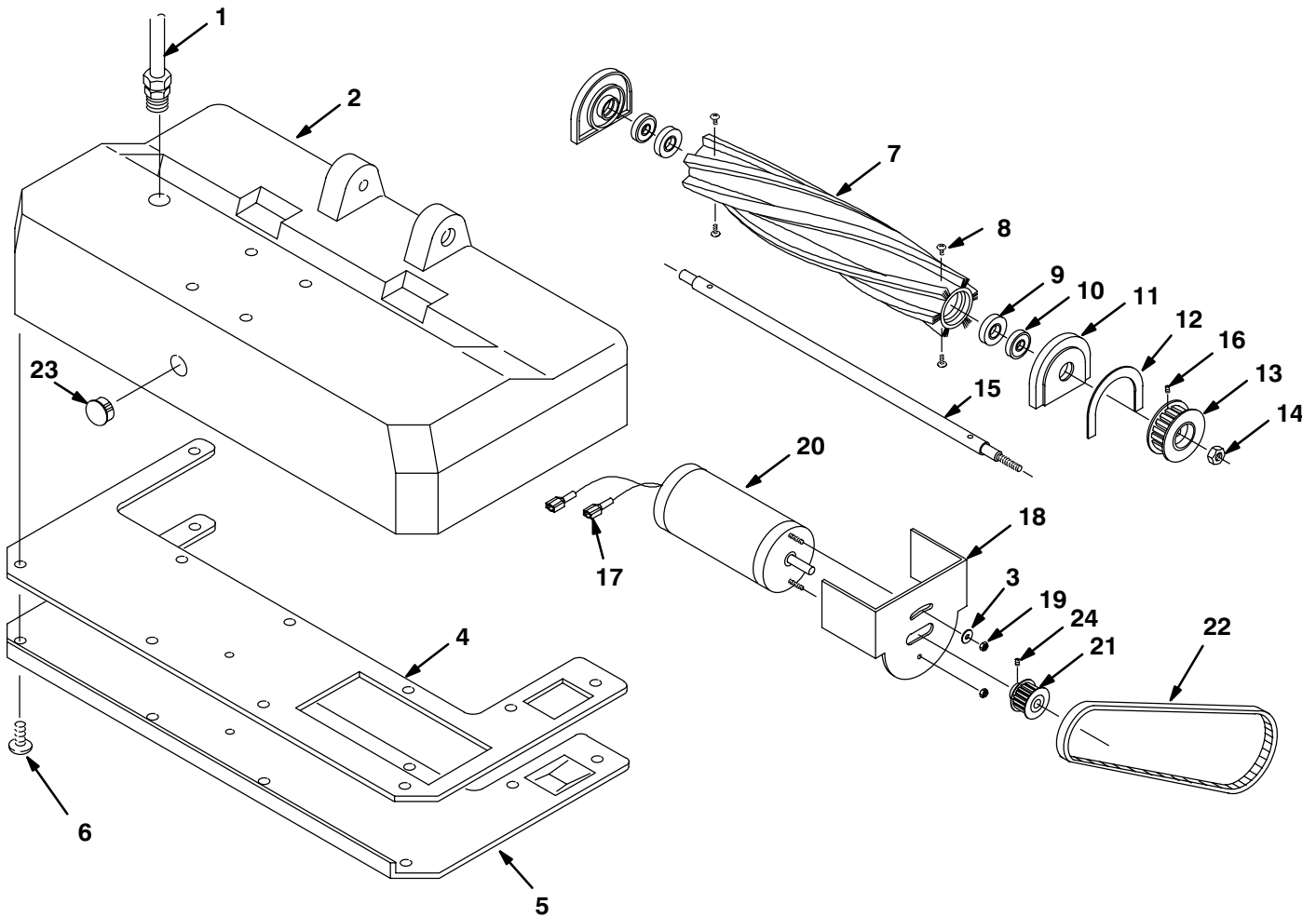
REF	PART #	DESCRIPTION	QTY.
1	612782	PLATE, BASE TRANSAXLE	1
2	140236	SCREW, 1/2-13X1 1/4	2
3	140028	WASHER, FLAT	8
4	140333	WASHER, LOCK	4
5	140277	SCREW, M10X1.5X20MM	4
6	600292	BRACKET, ACTUATOR	1
7	140027	WASHER, FLAT	10
8	140015	WASHER, LOCK	8
9	200031488	SCREW, M08X20MM	8
10	590248	SCREW, 38-16X4.75	2
11	160486	●CUFF, HOSE	1
12	160426	●HOSE, VAC 1.5X15" W/CUFF	1
13	603084	BRACKET, VAC HOSE	1
14	140000	WASHER, FLAT	2
15	140016	WASHER, LOCK	10
16	200031432	SCREW, M06X10MM	2
17	130129	TERMINAL, FM DSCNT 22-18 RED	2
18	600952	●ACTUATOR, 24VDC	1
19	604076	PIN, CLEVIS	2
20	578421	PIN, COTTER	2
21	140516	NUT, NYLOCK	3
22	140045	WASHER, FLAT	17
23	602567	BRACKET, SPRING	1
24	602882	BUSHING	8
25	140024	WASHER, LOCK	6

REF	PART #	DESCRIPTION	QTY.
26	140352	SCREW, M12X1.75X25	6
27	140564	BOLT, SHOULDER 3/8X3/4	4
28	140036	WASHER, FLAT	6
29	603044	PLATE, ACTUATOR LIFT	1
30	140027	WASHER, FLAT	2
31	140546	NUT, NYLOCK	2
32	612781	LIFT BRACKET, EXTRACTOR	1
33	602977	BRACKET, MOUNT CARPET TOOL	1
34	602565	SPRING, CARPET TOOL	1
35	140221	SCREW, 5/16-18X1 1/4	2
36	140220	SCREW, 5/16-18X2 1/2	2
37	140015	WASHER, LOCK	4
38	600306	TOOL, CARPET 22"	1
39	603046	BRACKET, BASE LEVELER	1
40	160613	●HOSE, VAC 1.5X30" W/CUFFS	1
41	600307	BRACKET, MOUNT EXTRACTOR	1
42	140226	SCREW, 5/16-18X5/8	4
43	140139	SLEEVE	2
44	140272	SCREW, M6X1.0X16MM	4
45	603093	BRACKET, BUMPER WHEEL	1
46	630477	WHEEL, 2" GRAY	8
47	140515	NUT, NYLOCK	4
48	36758	BOLT, SHOULDER	2
49	140046	WASHER, 1.00X.392X.090	2

## ● RECOMMENDED STOCK ITEMS

# PARTS LIST

## BRUSH BASE GROUP



REF	PART #	DESCRIPTION	QTY.	
1	603193	CORD, 16/2X33 SJT	1	
2	101106	BASE, 22"	1	
3	200315016	WASHER, FLAT	1	
4	100157	GASKET, BASE PLATE	1	
5	611919	PLATE, BASE	1	
6	140197	SCREW, 10-24X3/8 TRSPHL	11	
▽	700422	●ASM., BRUSH	1	
▲	7	240063	BRUSH, CYLINDER	1
▲	8	140554	SCREW, 1/4-20X3/4	4
▲	9	100049	SEAL, BRUSH BEARING	2
▲	10	140125	BEARING, BRUSH	2
▲	11	230261	BLOCK, BEARING	2
▲	12	100005	GASKET, BEARING BLOCK	1

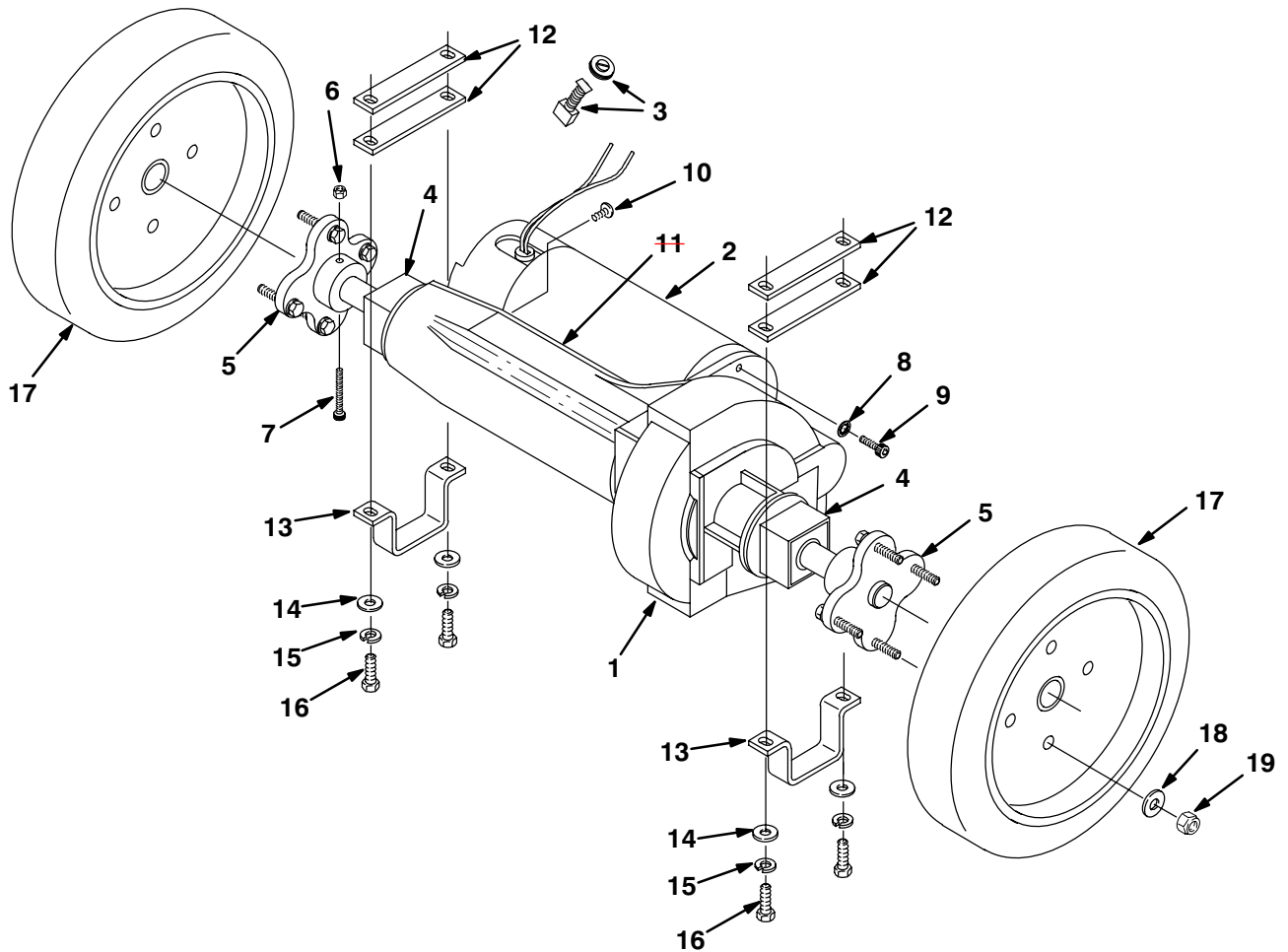
REF	PART #	DESCRIPTION	QTY.	
▲	13	230408	PULLEY, BRUSH	1
▲	14	140548	NUT 5/16	1
▲	15	230406	SHAFT, BRUSH 22"	1
▲	16	140859	SCREW, SET 1/4-20X1/4	1
17	130096	TERMINAL, MALE DSCNT 16-14	2	
18	230411	BRACKET, BRUSH MOTOR	1	
19	140518	NUT, KEP 10-32	2	
20	602965	●MOTOR, BRUSH DRIVE 24 VDC	1	
21	230410	●PULLEY, MOTOR	1	
22	230409	●BELT, TIMING	1	
23	130154	DOME PLUG	1	
24	140859	SCREW, SET 1/4-20X1/4	1	

▽ ASSEMBLY

▲ INCLUDED IN ASSEMBLY

● RECOMMENDED STOCK ITEMS

DRIVE GROUP

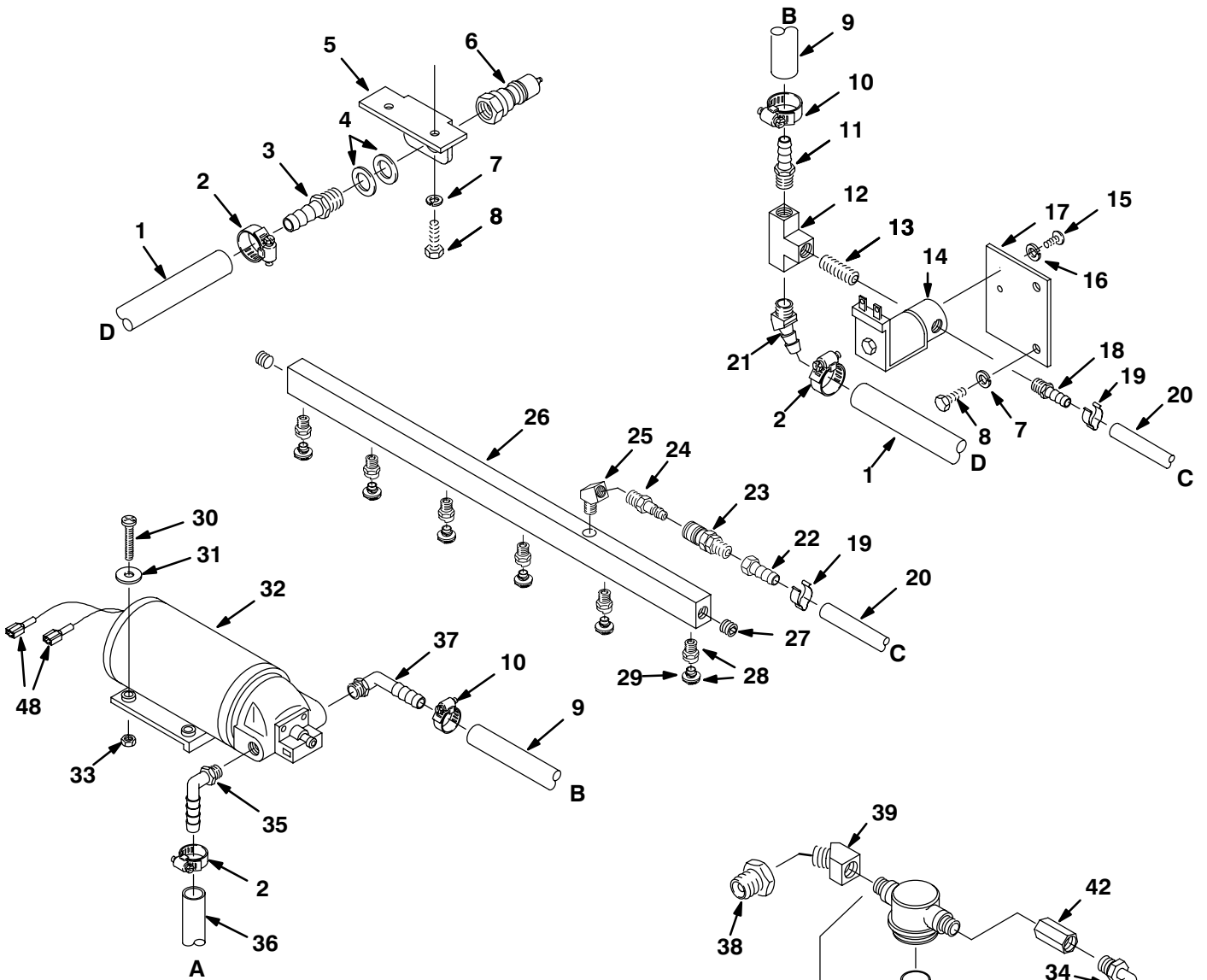


REF	PART #	DESCRIPTION	QTY.
1013312	▽ 1	612844 TRANSAXLE, 24V 72RPM	1
	▲	612873 BODY, TRANSAXLE ONLY	1
	▲	612874 COUPLING, NYLON TRANSAXLE	1
	▲	612875 KEY, TRANSAXLE	1
614165	▲ 2	612877 MOTOR, TRANSAXLE	1
614166	▲ 3	●BRUSH, CARBON KIT BRUSHES W/CAPS (2/PK) 4/PK	1
	▲ 4	612880 SLEEVE, TRANSAXLE	2
	▲ 5	612879 HUB, WHEEL TRANSAXLE	2
	▲ 6	140552 NUT, 10-24 NYLOCK	2
	▲ 7	31249 BOLT, SHOULDER .25X1.25	2
	▲ 8	32982 WASHER, INT. LOCK	2

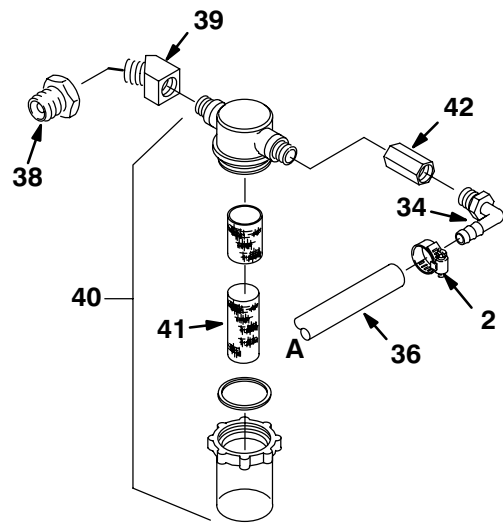
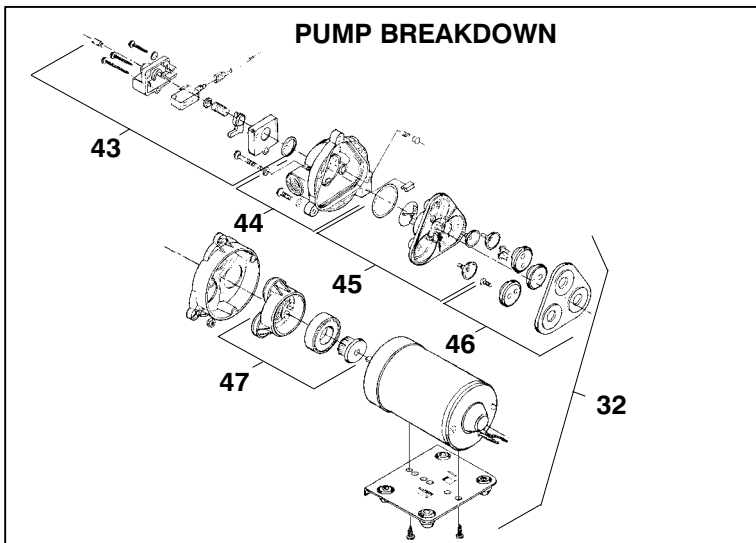
REF	PART #	DESCRIPTION	QTY.
33951	▲ 9	140868 SCREW, SCKT 1/4-20X5/8	2
	▲ 10	577031000 SCREW, 8X1/2 PANPHL	2
OUT	▲ 44	643082 COVER, TRANSAXLE	4
	12	612783 SPACER, AXLE	4
	13	612784 BRACKET, TRANSAXLE MTG	2
	14	140028 WASHER, 3/8 FLAT	4
	15	140333 WASHER, LOCK M10	4
	16	612255000 SCREW, M10X35MM	4
	17	607452 WHEEL, 8"	2
	18	140000 WASHER, FLAT	8
	19	140501 NUT, 1/4-20 NYLOCK	8

- ▽ ASSEMBLY
- ▲ INCLUDED IN ASSEMBLY
- RECOMMENDED STOCK ITEMS

**PLUMBING GROUP**



**PUMP BREAKDOWN**



## PLUMBING GROUP

REF	PART #	DESCRIPTION	QTY.
1	607704	HOSE, 3/8" X 24.5"	1
2	140310	CLAMP, HOSE	4
3	150516	FITTING, 1/4MX3/8H BARB	1
4	140058	WASHER	2
5	603063	BRACKET, QC MOUNT	1
6	150933	PLUG, QUICK COUPLER	1
7	140016	WASHER, LOCK	4
8	578187000	SCREW, M06X12MM	4
9	607705	HOSE, 1/2" X 24" RED	1
10	630369	CLAMP, HOSE	2
11	150517	FITTING, 1/4MX1/2H BARB	1
12	150706	FITTING, TEE	1
13	150615	NIPPLE, 1/4 CLOSE	1
14	607473	●SOLENOID, WATER 24 VDC	1
15	140801	SCREW, 8-32X3/8	2
16	140023	WASHER, LOCK	2
17	603055	BRACKET, SOLENOID	1
18	150515	FITTING, 4H BARB	1
19	140325	CLAMP	2
20	607706	HOSE, 1/4" X 18"	1
21	605394	FITTING, 1/4MX3/8H BARB 45°	1
22	150520	FITTING, 1/8FX1/4H BARB	1
23	150915	COUPLER, QUICK	1
∇	700423	ASM., SPRAY BAR	1
▲ 24	150921	PLUG, QUICK COUPLER	1
▲ 25	150422	FITTING, 1/8MX1/8F ELB STRT 45°	1

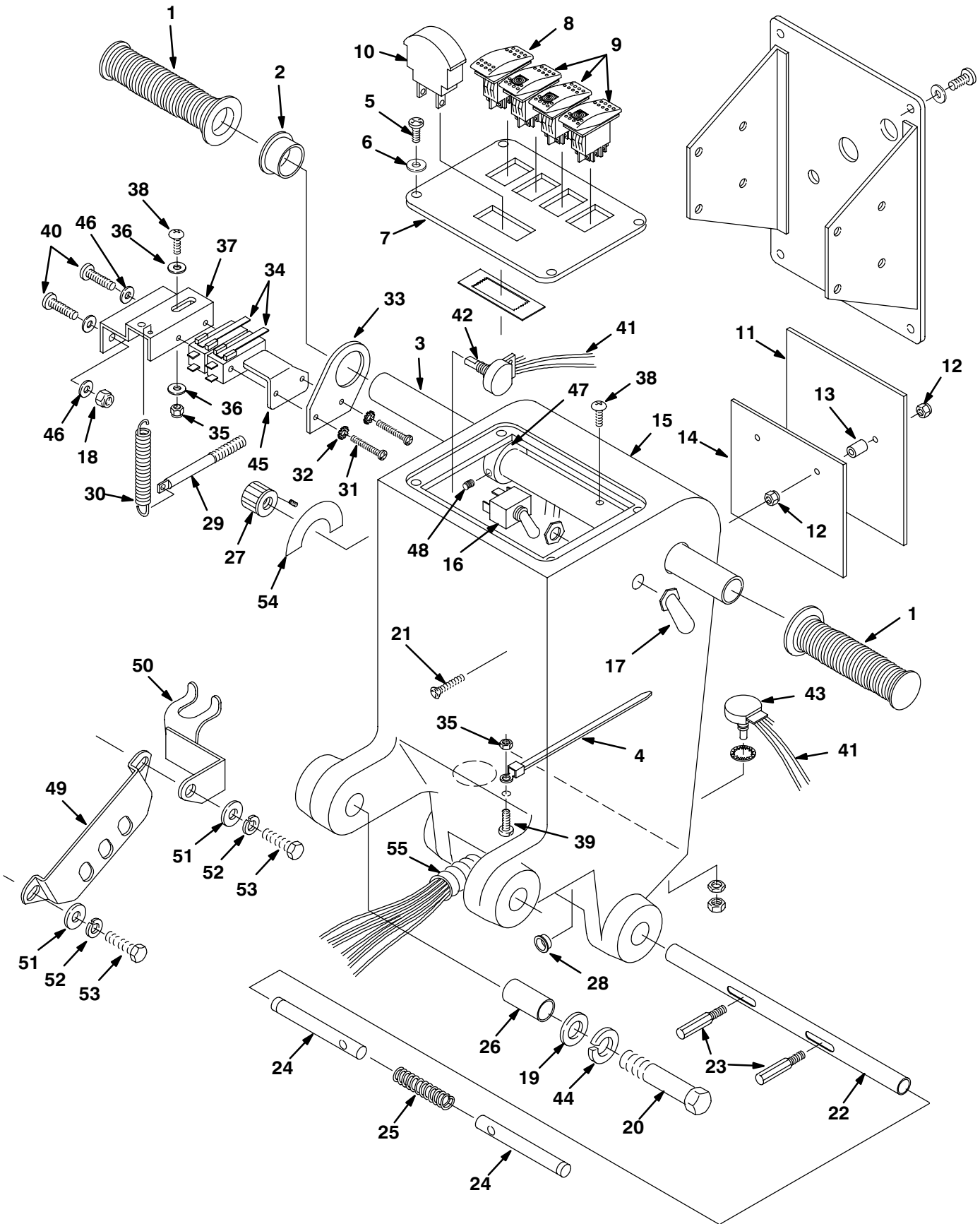
REF	PART #	DESCRIPTION	QTY.
▲ 26	230407	MANIFOLD, SPRAYBAR 22"	1
▲ 27	150208	PLUG	2
▲ 28	201011	●NOZZLE, TWISTOUT (80015)	6
29	201013	●TIP, REPLACEMENT (80015)	6
30	140899	SCREW, 10-24X1 1/4	2
31	140012	WASHER, FLAT	2
32	603031	●PUMP, 100 PSI 24 VDC	1
33	140552	NUT, NYLOCK	2
34	150415	FITTING, 1/4MX3/8H ELBOW 90°	1
35	150412	FITTING, 3/8MX3/8H ELBOW 90°	1
36	607305	TUBING, 3/8" X 30" GRAY VINYL	1
37	150425	FITTING, 3/8MX1/2H ELBOW 90°	1
38	150101	FITTING, BUSHING	1
39	150403	ELBOW, STREET 1/4X45°	1
40	180619	FILTER, 1/4 NPT CLEAR BOWL	1
41	180638	●SLEEVE, NYLON FILTER	1
42	150302	COUPLING, 1/4FX1/4F	1
43	190129	●KIT, PUMP PRESSURE SWITCH	1
	190172	●KIT, PUMP PRS SWITCH (VITON)	1
	190134	●KIT, PUMP DIAPHRAGM ONLY	1
44	190128	●KIT, PUMP UPPER HOUSING	1
	190124	●KIT, PUMP CHECK VALVE ONLY	1
45	190171	●KIT, PUMP VALVE (VITON)	1
46	190131	●KIT, PUMP SERVICE	1
47	190130	●KIT, PUMP LOWER HOUSING	1
48	130096	TERMINAL, MALE .25	2

∇ ASSEMBLY

▲ INCLUDED IN ASSEMBLY

● RECOMMENDED STOCK ITEMS

CONSOLE GROUP



## CONSOLE GROUP

REF	PART #	DESCRIPTION	QTY.
1	200823	GRIP, HANDLE TUBE	2
2	605351	BUSHING	1
3	604402	HANDLE, TUBE	1
4	605321	CABLE TIE	1
5	578141000	SCREW, M5X10MM	4
6	140018	WASHER, LOCK	4
7	602978	PANEL, CONTROL W/SILKSCREEN	1
8	602919	●SWITCH, DPDT ON/ON	1
9	601107	●SWITCH, LIGHTED ROCKER	3
10	606020	METER, BATTERY VOLTAGE 24V	1
11	630104	●SPEED CONTROL, PMB, 55 AMP	1
12	200160014	NUT	4
13	630261	SPACER	2
14	630128	HEAT SINK	1
15	608299	HOUSING, CONTROL, GREEN	1
16	601108	●SWITCH, TOGGLE	1
17	130753	BOOT, SWITCH	1
18	140284	NUT	2
19	140045	WASHER, FLAT	2
20	140351	SCREW, M12X1.75X70MM	2
21	630304	SCREW, M4X35MM	2
22	230715	TUBE, HANDLE ADJUSTMENT	1
23	230649	PIN, HANDLE ADJUSTMENT	2
24	230710	PIN, HANDLE LOCK	2
25	140415	SPRING, LOCK PIN	1
26	140155	BUSHING	2
27	606550	KNOB, SPEED CONTROL	1
28	603007	BUSHING, SNAP	1

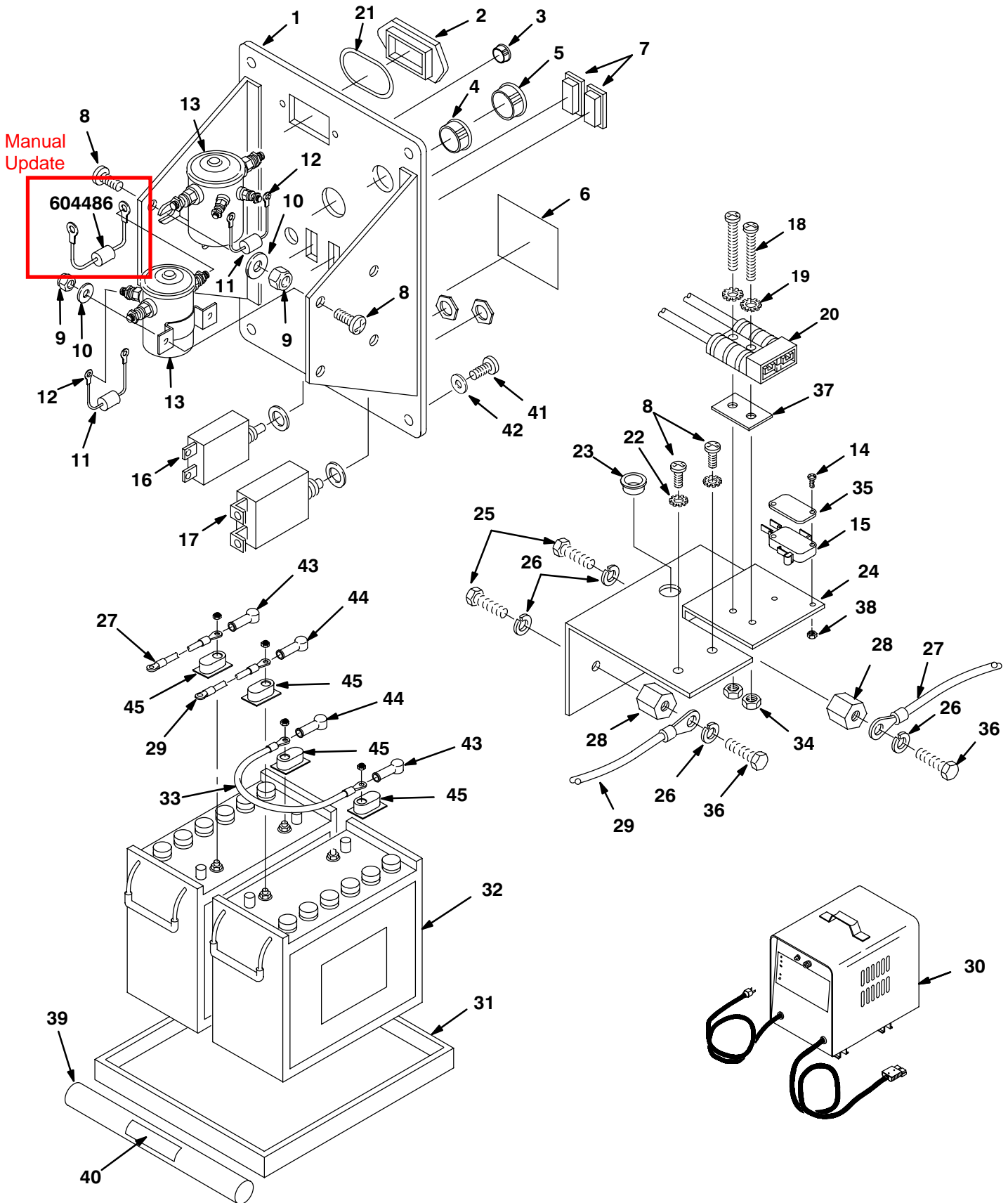
REF	PART #	DESCRIPTION	QTY.
29	602886	PIN, SPRING RETURN	1
30	605812	SPRING, EXPANSION	1
31	140830	SCREW 6-32X1-5/8	2
32	140019	WASHER, LOCK	2
33	27098	BRACKET, SWITCH	1
34	130729	●SWITCH, ROLL	2
35	140552	NUT	2
36	140012	WASHER, 3/16 FLAT	2
37	25671	MOUNT, SWITCH	1
38	140890	SCREW. 10-24X1/2	2
39	140900	SCREW 10-24X3/4	1
40	608322	SCREW, M6X1.0X16MM	2
▽ 41	602873	HARNESS, CONSOLE W/POTS	1
▲ 42	130776	●POTENTIOMETER, 50K	1
▲ 43	130775	●POTENTIOMETER, 50K LOCKABLE	1
44	140024	WASHER, LOCK	2
45	603830	PLATE, GUARD SWITCH	1
46	140000	WASHER, 1/4 FLAT	4
47	605094	COLLAR, HANDLE	2
48	140859	SCREW, 1/4 SK	2
49	230661	PLATE, LOCK CONTROL HOUSING	2
50	611979	WELDMENT, DRAIN HOSE	1
51	140027	WASHER, FLAT	4
52	140015	WASHER, LOCK	4
53	200031488	SCREW, M8X1.25X20MM	4
54	606549	DECAL, SPEED CONTROL	1
55	613092	●HARNESS, WIRE MAIN	1
	604486	ASM., DIODE SPLICED	1

▽ ASSEMBLY

▲ INCLUDED IN ASSEMBLY

● RECOMMENDED STOCK ITEMS

ELECTRICAL / BATTERY GROUP





## ELECTRICAL / BATTERY GROUP

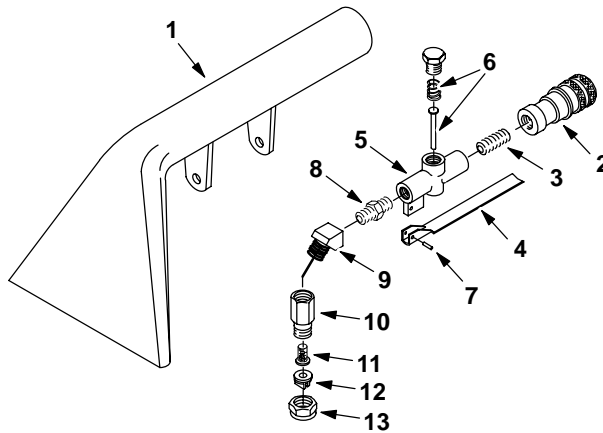
REF	PART #	DESCRIPTION	QTY.
1	602559	PANEL, CONTROL HOUSING	1
2	609969	PLUG, HOUR METER	1
3	069764626	PLUG, HOLE 012.7	1
4	130161	PLUG, DOME .875	1
5	130175	PLUG, DOME .750	1
6	630420	DECAL, FLAMMABLE MATERIAL	1
7	582150	PLUG, ACCESSORY SWITCH	2
8	608322	SCREW, M6X1.0X20MM	6
9	140284	NUT	4
10	140000	WASHER, FLAT	4
11	606404	●ASM., DIODE W/RING TERM.	2
12	281001009	RING, TERMINAL #10	4
13	605905	●SOLENOID, 24V	2
14	578403000	SCREW, M3X20MM	2
15	600437	●SWITCH, ROLLER	1
16	603487	●BREAKER, BRSH CIRCUIT 15AMP	1
17	130739	●BREAKER, CIRCUIT 60AMP	1
18	140829	SCRW, 6-32X1	2
19	140019	WASHER, LOCK	2
20	605387	CONNECTOR, 50A WO/CONTACTS	1
21	605823	O RING .926ID X .996OD	1
22	140018	WASHER, #10 INT	2
23	130698	BUSHING, SNAP	1

76062

REF	PART #	DESCRIPTION	QTY.
24	603191	BRACKET, CHGR W/STANDOFF	1
25	140553	SCREW, 1/4-20X1/2	2
26	140016	WASHER, LOCK	4
27	602871	CABLE, BATTERY #6 BLACKX24"	1
28	<del>578427</del>	STANDOFF, TERMINAL	2
29	603192	ASM., WIRE #6X650MM RED	1
30	603235	CHARGER 24DC/20A	1
31	601991	TRAY, BATTERY	1
32	600394	BATTERY, 12V 215A	2
33	130364	CABLE, BATTERY #6 BLACKX15"	1
34	140539	NUT	2
35	601359	PLATE, SWITCH BACKING	1
36	140259	SCREW 1/4-20X5/8 HXHDCP	2
37	603331	SPACER, CHARGER PLUG	1
38	579211	NUT, LOCK	2
39	602592	SUPPORT TUBE BATTERY	1
40	603828	DECAL, BATTERY PLACEMENT	1
41	578141000	SCREW M5X10 PANPHL	4
42	140018	WASHER #10 INT	4
43	611221	BOOT, BATTERY CABLE BLK	2
44	611222	BOOT, BATTERY CABLE RED	2
45	45962	COVER, BATTERY TERMINAL	4

● RECOMMENDED STOCK ITEMS

127 mm (5 in) HAND TOOL GROUP



REF	PART #	DESCRIPTION	QTY.
▽	200505	●ASM., HAND TOOL 5"	1
▲ 1	200431.BK	TOOL, HAND	1
▲ 2	150913	FITTING, 1/4F QD FML COUPLER	1
▲ 3	150615	NIPPLE, CLOSE	1
▲ 4	200905	TRIGGER, HAND TOOL	1
▲ 5	210210	●VALVE, FLOW CONTROL	1
▲ 6	190600	VALVE PIN & SPRING	1

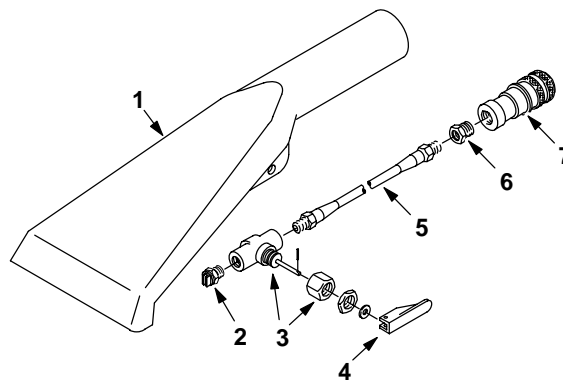
REF	PART #	DESCRIPTION	QTY.
▲ 7	140609	PIN, ROLL 3/16	1
▲ 8	150606	NIPPLE, HEX 1/4	1
▲ 9	150403	ELBOW, ST 1/4 45°	1
▲ 10	200992	BODY, SPRAY 1/4F	1
▲ 11	200996	SCREEN, SPRAY NOZZLE	1
▲ 12	200965	●TIP, SPRAY #8002	1
▲ 13	200994	CAP, SPRAY BODY	1

▽ ASSEMBLY

▲ INCLUDED IN ASSEMBLY

● RECOMMENDED STOCK ITEMS

76 mm (3 in) CREVICE TOOL GROUP



REF	PART #	DESCRIPTION	QTY.
▽	200517	●ASM., CREVICE TOOL SER.60	1
▲ 1	200436.BK	TOOL, CREVICE BLACK	1
▲ 2	200975	●FITTING, TIP #5002 V-JET	1
▲ 3	210014	●VALVE, TOGGLE W/NUT	1

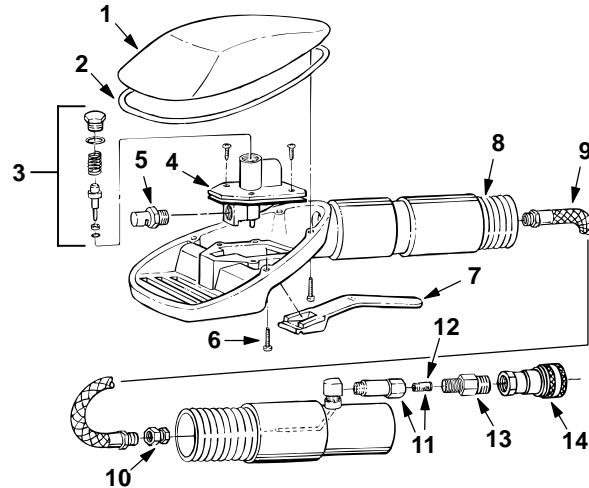
REF	PART #	DESCRIPTION	QTY.
▲ 4	210020	POSITIONER, VALVE HANDLE	1
▲ 5	160106	HOSE, SOLUTION	1
▲ 6	150100	FITTING, 1/4MX1/8F BUSHING	1
▲ 7	150913	FITTING, 1/4F QD FML COUPLER	1

▽ ASSEMBLY

▲ INCLUDED IN ASSEMBLY

● RECOMMENDED STOCK ITEMS

LOW PRESSURE UPHOLSTERY TOOL GROUP



REF	PART #	DESCRIPTION	QTY.
▽	200540	●ASSEMBLY, UPHOLSTERY TOOL	1
▲ 1	200845	COVER	1
▲ 2	200843	GASKET	1
▲ 3	190631	●KIT, VALVE ASM.	1
▲ 4	210226	●VALVE, LP	1
▲ 5	200991	●NOZZLE	1
▲ 6	200838	SCREW	4
▲ 7	200840	TRIGGER	1

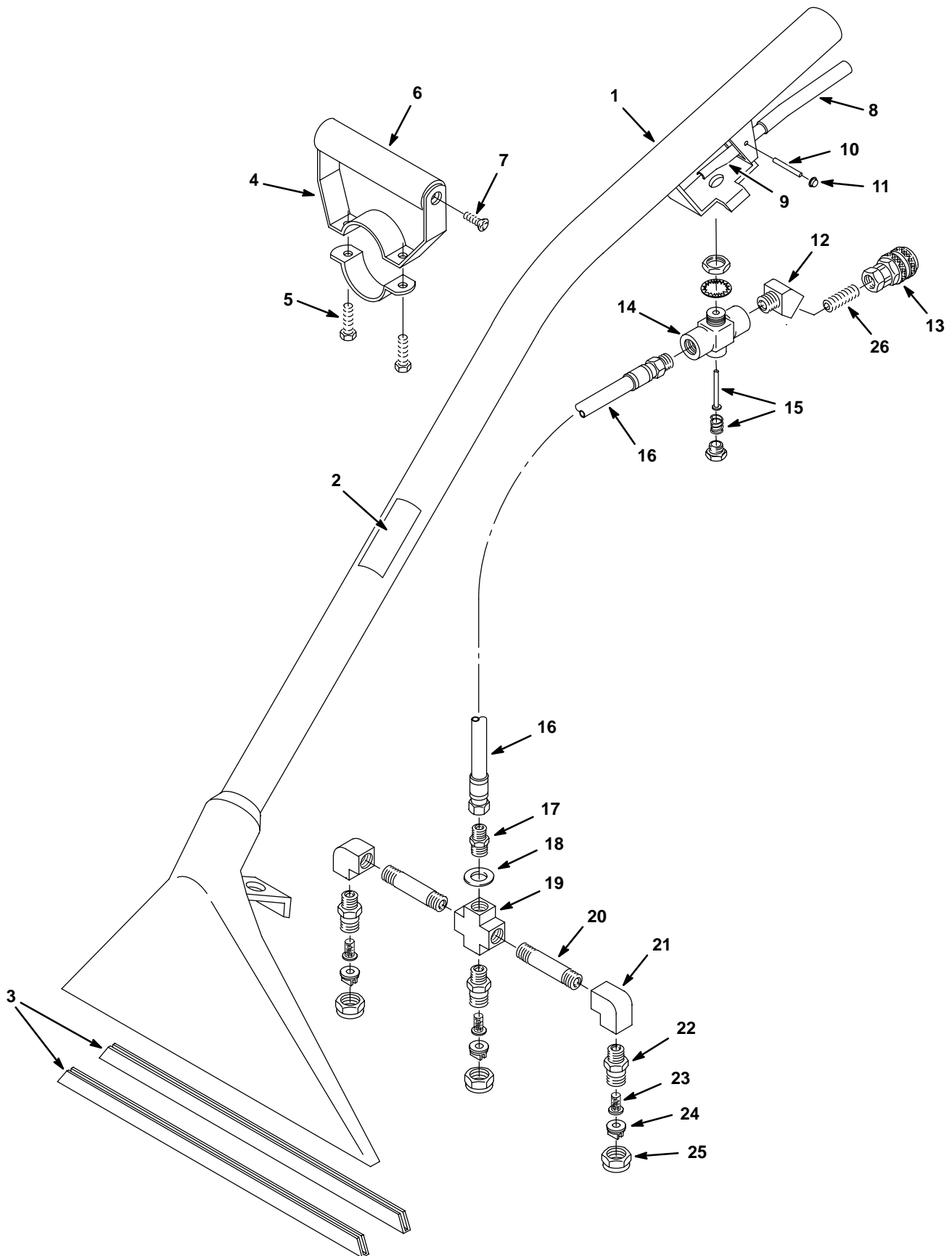
REF	PART #	DESCRIPTION	QTY.
▲ 8	200844	●HOSE, VACUUM	1
▲ 9	200837	●HOSE, SOLUTION	1
▲ 10	200848	FITTING	1
▲ 11	200842	FILTER	1
▲ 12	200841	SCREEN, FILTER	1
▲ 13	150606	FITTING, 1/4MX1/4M	1
▲ 14	150913	●COUPLER	1

▽ ASSEMBLY

▲ INCLUDED IN ASSEMBLY

● RECOMMENDED STOCK ITEMS

330mm (13 in) LOW PRESSURE WAND GROUP



**330mm (13 in) LOW PRESSURE WAND GROUP**

REF	PART #	DESCRIPTION	QTY.
▽	600048	●ASM., WAND LOW PRESSURE	1
▲ 1	200403.BK	TOOL, FLOOR BLACK	1
▲ 2	120846	DECAL, LOW PRESSURE TOOL	1
▲ 3	200939	●SHOE, 330MM (13 IN) FLR TOOL	2
▲▽ 4	200927	GRIP, HAND ADJ. COMPLETE	1
▲ 5	140259	SCREW, 1/4-20X5/8	2
▲ 6	200912	GRIP, HANDLE FOAM	1
▲ 7	140834	SCREW, 1/4-20X5/8	2
▲ 8	200809	SLEEVE, HANDLE	1
▲ 9	200902	HANDLE, VALVE	1
▲ 10	140605	PIN, HANDLE	1
▲ 11	140520	NUT, 1/4 PUSH BLK	2
▲ 12	150403	FITTING, 1/4MX1/4F 45 STR	1
▲ 13	150913	●FITTING, 1/4F QD CPLR SER 60	1

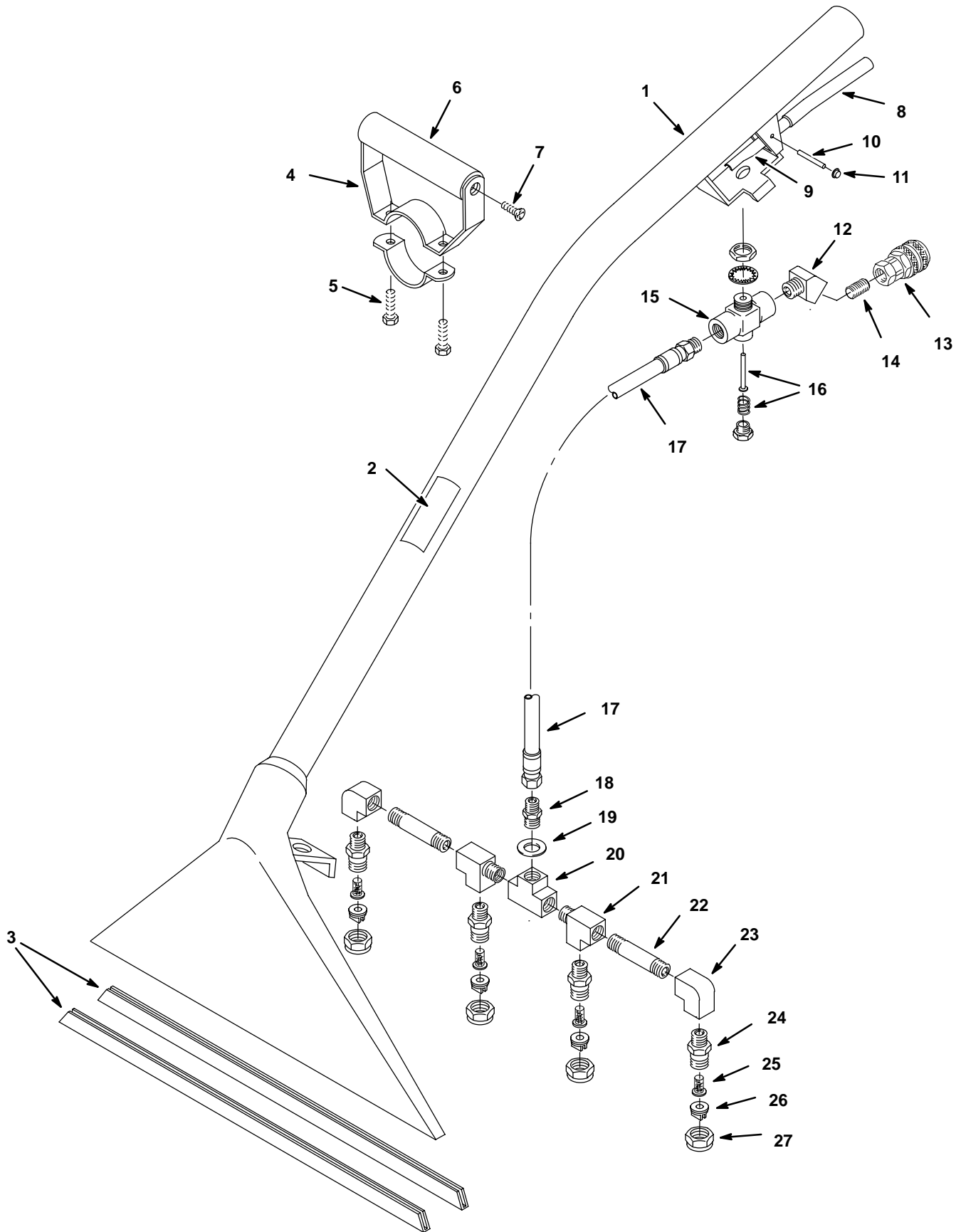
REF	PART #	DESCRIPTION	QTY.
▲▽ 14	210150	●VALVE, FLOW CONTROL	1
▲ 15	190603	●KIT, VALVE PIN AND SPRING	1
▲ 16	160170	ASM, HOSE LOW PRESSURE	1
▲ 17	150606	FITTING, 1/4MX1-3/8HEXNIP	1
▲ 18	140058	WASHER, .543X.875X.062 WAND	1
▲▽	700062	ASM., SPRAYBAR WO/TIPS	1
▲ 19	150700	CROSS, 1/4 FPT	1
▲ 20	150600	FITTING, 1/4MX2" NIPPLE	2
▲ 21	150401	FITTING, 1/4FX1/4F ELBOW 90	2
▲ 22	200993	SPRAY BODY, 1/4" MALE	3
▲ 23	200996	●FILTER, SCREEN 100 MESH	3
▲ 24	200964	●FITTING, TIP 11003 T-JET	3
▲ 25	200994	●CAP, SPRAY BODY	3
▲ 26	150615	FITTING, 1/4MX7/8 CLSNIP	1

▽ ASSEMBLY

▲ INCLUDED IN ASSEMBLY

● RECOMMENDED STOCK ITEMS

406mm (16 in) LOW PRESSURE FLOOR TOOL



**406mm (16 in) LOW PRESSURE FLOOR TOOL**

REF	PART #	DESCRIPTION	QTY.
▽	200503	●ASM., FLOOR TOOL	1
▲ 1	200411.BK	TOOL, FLOOR 406MM (16 IN)	1
▲ 2	120846	DECAL, LOW PRESSURE TOOL	1
▲ 3	200956	●SHOE, 406MM (16 IN) FLR TOOL	2
▲▽ 4	200927	GRIP, HAND ADJ. COMPLETE	1
▲ 5	140259	SCREW, 1/4-20X5/8	2
▲ 6	200912	GRIP, HANDLE FOAM	1
▲ 7	140834	SCREW, 1/4-20X5/8	2
▲ 8	200809	SLEEVE, HANDLE	1
▲ 9	200902	HANDLE, VALVE	1
▲ 10	140605	PIN, HANDLE	1
▲ 11	140520	NUT, 1/4 PUSH BLK	2
▲ 12	150403	FITTING, 1/4MX1/4F 45 STR	1
▲ 13	150913	●COUPLER, SER. 60	1
▲ 14	150615	NIPPLE, CLOSE 1/4	1

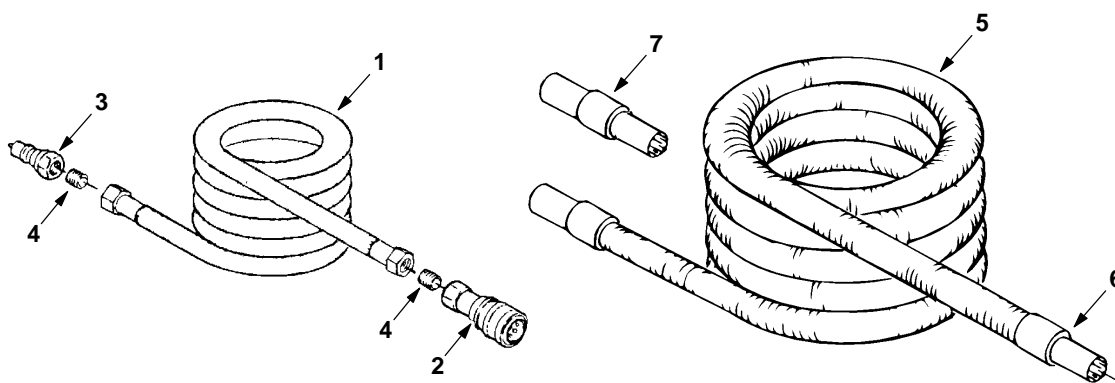
REF	PART #	DESCRIPTION	QTY.
▲▽ 15	210150	●VALVE, FLOW CONTROL	1
▲ 16	190603	●KIT, VALVE PIN AND SPRING	1
▲ 17	160170	ASM, HOSE LOW PRESSURE	1
▲ 18	150606	FITTING, 1/4MX1-3/8HEXNIP	1
▲ 19	140058	WASHER, .543X.875X.062 WAND	1
▲▽	700656	ASM., SPRAYBAR 16" WO/TIPS	1
▲ 20	150706	FITTING, 1/4F TEE	1
▲ 21	150709	FITTING, 1/4F X 1/4F X 1/4M	2
▲ 22	150600	FITTING, 1/4MX2" NIPPLE	2
▲ 23	150401	FITTING, 1/4FX1/4F ELBOW 90	2
▲ 24	200993	SPRAY BODY, 1/4" MALE	4
▲ 25	200996	●FILTER, SCREEN 100 MESH	4
▲ 26	200964	●FITTING, TIP 11003 T-JET	4
▲ 27	200994	●CAP, SPRAY BODY	4

▽ ASSEMBLY

▲ INCLUDED IN ASSEMBLY

● RECOMMENDED STOCK ITEMS

## SOLUTION AND VACUUM HOSES GROUP



REF	PART #	DESCRIPTION	QTY.
▽	600329	●KIT, HOSE, VAC & SOL 4.6M (15')	1
	600330	●KIT, HOSE, VAC & SOL 7.6M (25')	1
	600331	●KIT, HOSE, VAC & SOL 15.2M (50')	1
▲▽ 1	160185	HOSE, SOLUTION 4.6M (15')	1
	160186	HOSE, SOLUTION 7.6M (25')	1
	160187	HOSE, SOLUTION 15.2M (50')	1
▲ 2	150913	●COUPLER, QUICK SER. 60	1
▲ 3	150933	PLUG, QUICK COUPLER	1
▲ 4	150615	NIPPLE	2

REF	PART #	DESCRIPTION	QTY.
▲▽ 5	160400	HOSE, VACUUM 4.6M (15')	1
	160401	HOSE, VACUUM 7.6M (25')	1
	160402	HOSE, VACUUM 15.2M (50')	1
▲ 6	160430	●CUFF, HOSE 1-1/2"	2
7	160451	●CONNECTOR, VAC HOSE 1-1/2"	1

▽ ASSEMBLY

▲ INCLUDED IN ASSEMBLY

● RECOMMENDED STOCK ITEMS