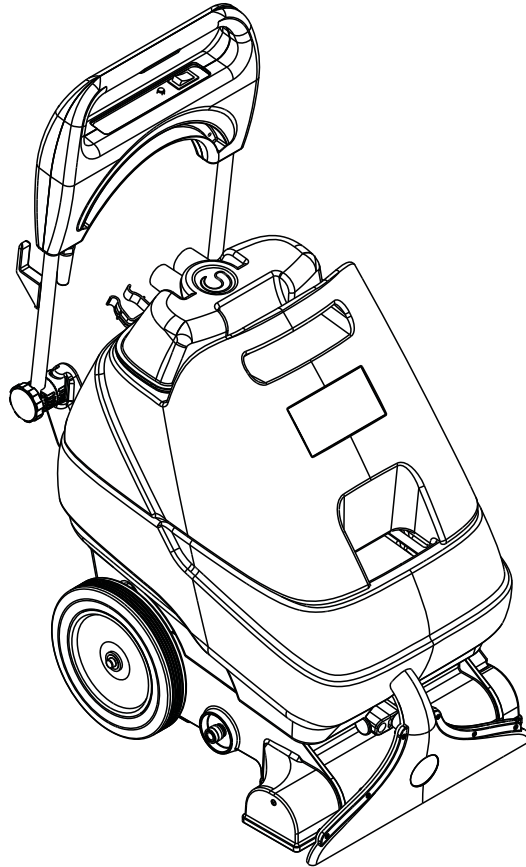


Clarke®

Clean Track S16, L18



Instructions For Use - Original Instructions / Instrucciones de uso / Mode d' emploi
Models: 56382723 (S16), 56382724 (L18)



READ THIS BOOK
LEA ESTE MANUAL
LISEZ CE MANUEL

EN English (A2 - A12)
ES Español (B2 - B12)
FR Français (C2 - C12)

This book has important information for the use and safe operation of this machine. Failure to read this book prior to operating or attempting any service or maintenance procedure to your Clarke machine could result in injury to you or to other personnel; damage to the machine or to other property could occur as well. You must have training in the operation of this machine before using it. If your operator(s) cannot read this manual, have it explained fully before attempting to operate this machine.

All directions given in this book are as seen from the operator's position at the rear of the machine.

TABLE OF CONTENTS

	Page
Introduction	A-3
Parts and Service	A-3
Nameplate	A-3
Uncrating the Machine.....	A-3
Cautions and Warnings	A-4
Grounding Instructions	A-5
 Know Your Machine	 A-6 — A-7
 Preparing the Machine for Use	
Filling the Solution Tank.....	A-8
Before Using.....	A-8
Pre-Spraying the Carpet.....	A-8
Plan for Cleaning	A-8
 Operation	
Operating the Machine	A-9
Using Attachments.....	A-9
Hard Floor Kits.....	A-9
 After Use	
After Using the Machine	A-10
 Maintenance	
Maintenance Schedule	A-10
Vacuum Shoe Maintenance.....	A-10
Solution Screen Maintenance.....	A-11
Power Cord Maintenance	A-11
Adjusting the Brush Pressure	A-11
Power Brush Maintenance	A-11
Removing the Brush.....	A-11
 Troubleshooting	 A-12
Technical Specifications	A-12

INTRODUCTION

This manual will help you get the most from your Clarke carpet extractor. Read it thoroughly before operating the machine.

This product is intended for commercial use only.

PARTS AND SERVICE

Repairs, when required, should be performed by your Authorized Clarke Service Center, who employs factory trained service personnel, and maintains an inventory of Clarke original replacement parts and accessories.

Call the CLARKE DEALER named below for repairs or service. Please specify the Model and Serial Number when discussing your machine.

MODIFICATIONS

Modifications and additions to the cleaning machine which affect capacity and safe operation shall not be performed by the customer or user without prior written approval from Nilfisk-Advance Inc. Unapproved modifications will void the machine warranty and make the customer liable for any resulting accidents.

NAMEPLATE

The Model Number and Serial Number of your machine are shown on the Nameplate, located on the rear base of the machine. This information is needed when ordering repair parts for the machine. Use the space below to note the Model Number and Serial Number of your machine for future reference.

MODEL _____

SERIAL NUMBER _____

UNCRATING THE MACHINE

When the machine is delivered, carefully inspect the shipping carton and the machine for damage. If damage is evident, save the shipping carton so that it can be inspected. Contact the Clarke Customer Service Department immediately to file a freight damage claim.

WARNING!

The Products sold with this Manual contain or may contain chemicals that are known to certain governments (such as the State of California, as identified in its Proposition 65 Regulatory Warning Law) to cause cancer, birth defects or other reproductive harm. In certain locations (including the State of California) purchasers of these Products that place them in service at an employment job site or a publicly accessible space are required by regulation to make certain notices, warnings or disclosures regarding the chemicals that are or may be contained in the Products at or about such work sites. It is the purchaser's responsibility to know the content of, and to comply with, any laws and regulations relating to the use of these Products in such environments. The Manufacturer disclaims any responsibility to advise purchasers of any specific requirements that may be applicable to the use of the Products in such environments.

IMPORTANT SAFETY INSTRUCTIONS

This machine is only suitable for commercial use, for example in hotels, schools, hospitals, shops and offices other than normal residential housekeeping purposes.

When using an electrical appliance, basic precautions should always be followed, including the following:



Read all instructions before using this appliance.

WARNING!

To reduce the risk of fire, electric shock, or injury:

- Do not leave the appliance when it is plugged in. Unplug the unit from the outlet when not in use and before servicing.
- To avoid electric shock, do not expose to rain. Store indoors.
- This machine is not intended for use by persons (including children) with reduced physical, sensory or mental capabilities, or lack of experience and knowledge.
- Do not allow to be used as a toy. Close attention is necessary when used near children.
- Use only as described in this manual. Use only the manufacturer's recommended attachments.
- Do not use with damaged cord or plug. If the appliance is not working as it should be, has been dropped, damaged, left outdoors or dropped into water, return it to a service center.
- Do not pull or carry by the cord, use the cord as a handle, close a door on the cord, or pull the cord around sharp edges or corners. Do not run the appliance over the cord. Keep the cord away from heated surfaces.
- Do not unplug by pulling on the cord. To unplug, grasp the plug, not the cord.
- Do not handle the plug, cord or appliance with wet hands.
- Do not put any object into openings. Do not use with any opening blocked; keep free of dust, lint, hair, and anything that may reduce air flow.
- Keep loose clothing, hair, fingers, and all parts of body away from openings and moving parts.
- Do not pick up anything that is burning or smoking, such as cigarettes, matches, or hot ashes, or any health endangering dusts.
- Turn off all controls before unplugging.
- Use extra care when cleaning on stairs.
- Do not use to pick up flammable or combustible liquids such as petrol or use in areas where they may be present.
- If foam or liquid comes out with the vacuum exhaust, switch power off immediately. Verify that there are no foreign objects obstructing the float ball from moving freely. Contact Clarke if the problem persists.
- Liquid ejected at the spray nozzle could be dangerous as a result of its temperature, pressure or chemical content.
- Only use the brushes provided with the appliance or those specified in the instruction manual. The use of other brushes may impair safety.

SAVE THESE INSTRUCTIONS

120VAC GROUNDING INSTRUCTIONS

This appliance must be grounded. If it should electrically malfunction, grounding provides a path of least resistance for electric current to reduce the risk of electric shock. This appliance is equipped with a cord having an equipment-grounding conductor and grounding plug. The plug must be plugged into an appropriate outlet that is properly installed and grounded in accordance with all local codes and ordinances.

⚠ DANGER!

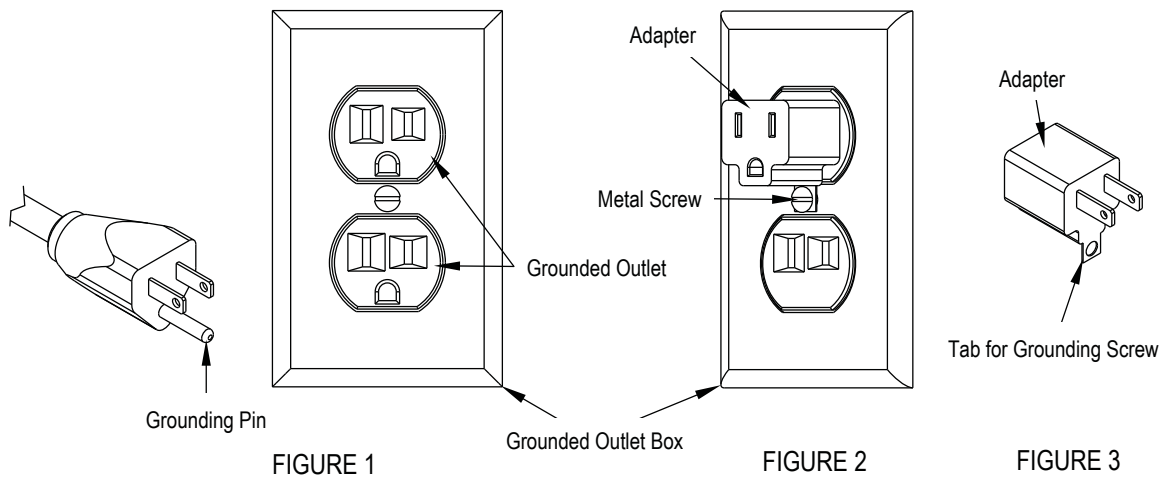
Improper connection of the equipment-grounding conductor can result in a risk of electric shock. Check with a qualified electrician or service person if you are in doubt as to whether the outlet is properly grounded. Do not modify the plug provided with the appliance. If it will not fit the outlet, have a proper outlet installed by a qualified electrician.

This appliance is for use on a nominal 120-volt circuit, and has a grounding plug that looks like the plug illustrated in Figure 1 below. A temporary adapter illustrated in Figures 2 and 3 may be used to connect this plug to a 2-pole receptacle as shown in Figure 2 if a properly grounded outlet is not available. The temporary adapter should be used only until a properly grounded outlet (Figure 1) can be installed by a qualified electrician. The green-colored rigid ear, tab, or the like extending from the adapter must be connected to a permanent ground such as a properly grounded outlet box cover. Whenever the adapter is used, it must be held in place by a metal screw. Grounding adapters are not approved for use in Canada.

Replace the plug if the grounding pin is damaged or broken.

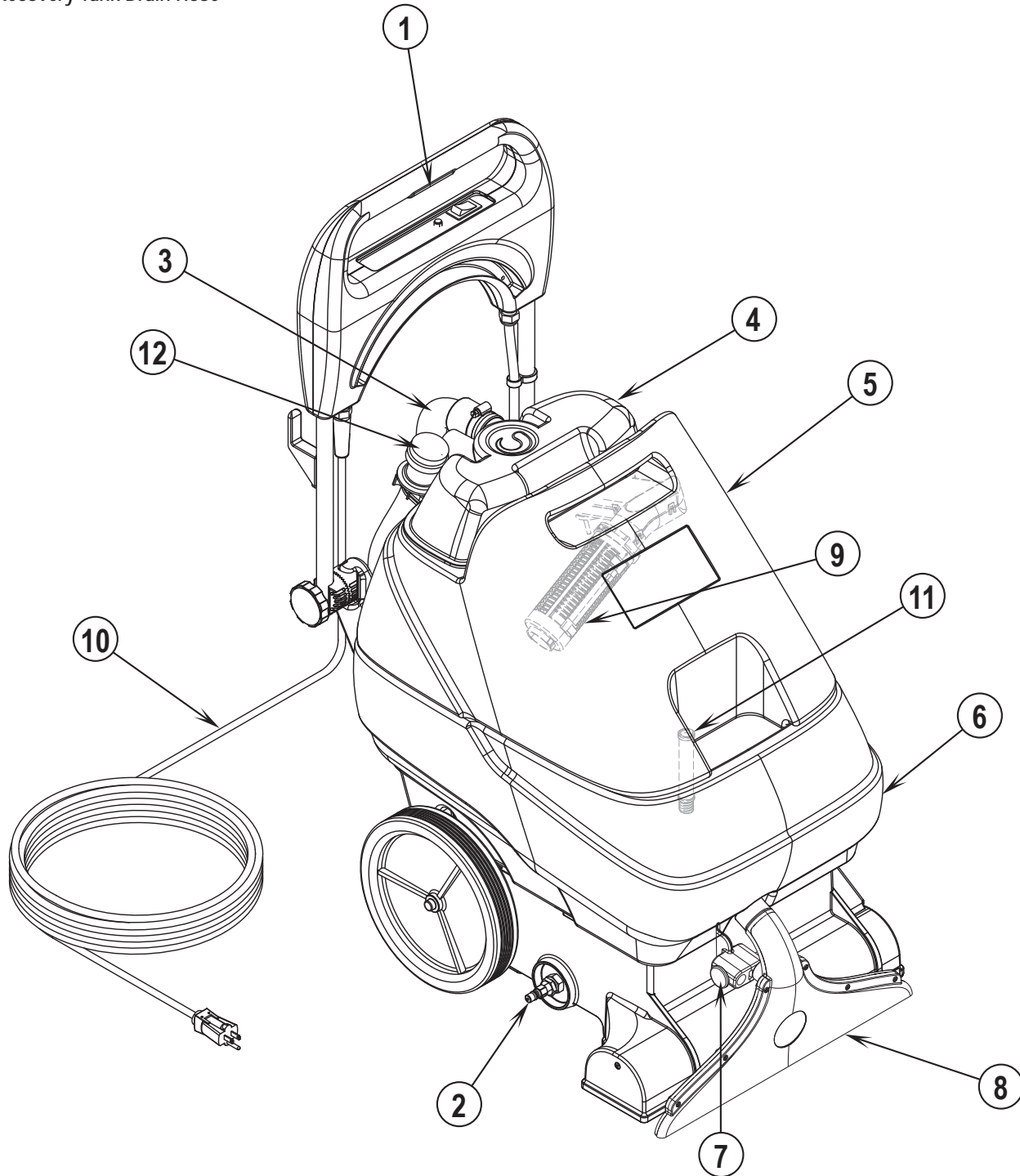
The Green (or Green/Yellow) wire in the cord is the grounding wire. When replacing a plug, this wire must be attached to the grounding pin only. Extension cords connected to this machine should be 12 gauge, three-wire cords with three-prong plugs and outlets. DO NOT use extension cords more than 50 feet (15 m) long.

PLEASE NOTE: FOR NORTH AMERICA ONLY



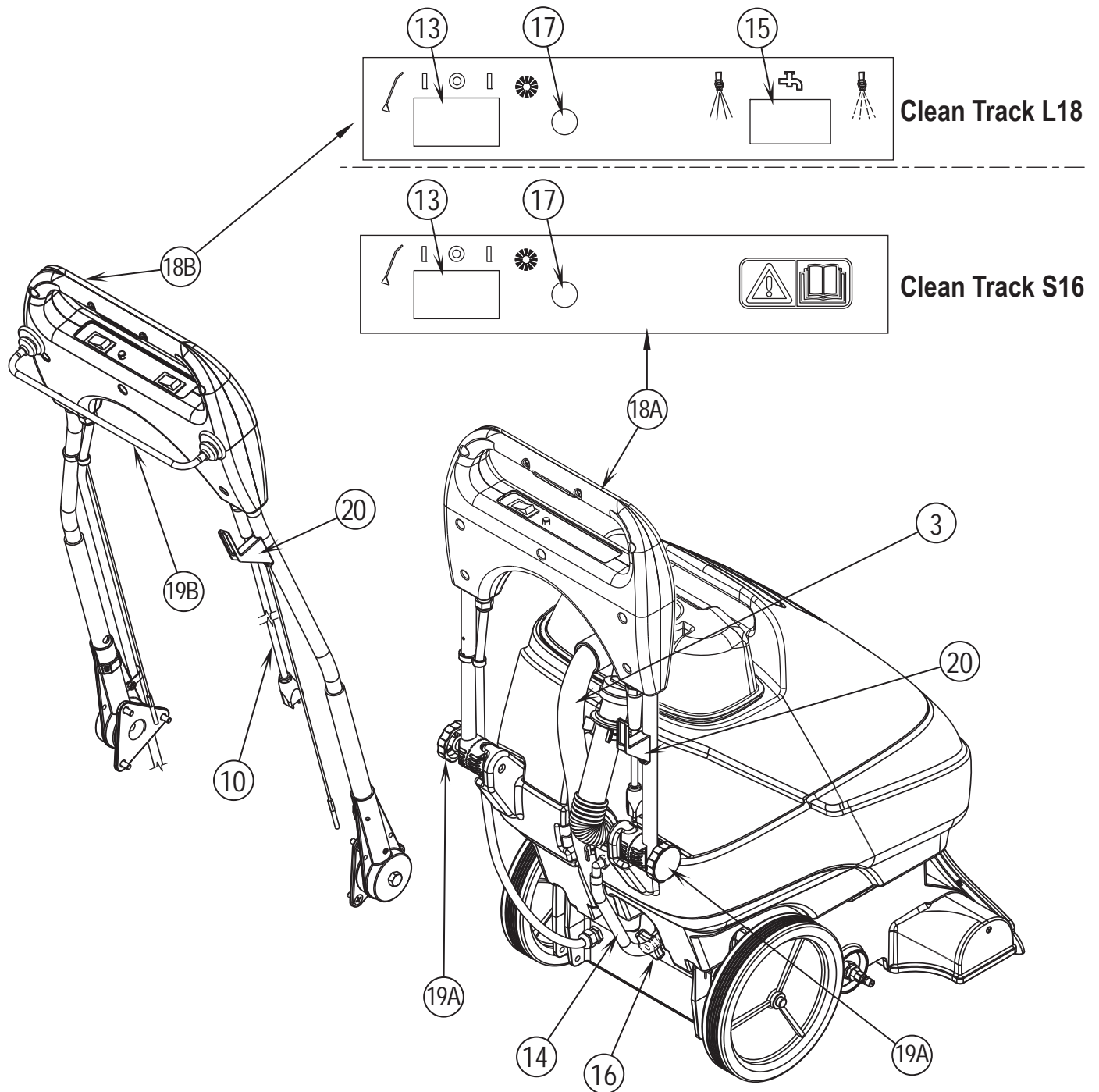
KNOW YOUR MACHINE

- 1 Solution Switch
- 2 Accessory Solution Port
- 3 Recovery Hose
- 4 Recovery Tank Dome Lid
- 5 Recovery Tank
- 6 Solution Tank
- 7 Pin Release for vacuum shoe
- 8 Vacuum Shoe
- 9 Automatic Float Shut-Off
- 10 Power Cord
- 11 Solution Screen
- 12 Recovery Tank Drain Hose



KNOW YOUR MACHINE (CONTINUED)

- 13 Power & Extract / Accessory Switch
- 14 Solution Drain Hose / Level Indicator
- 15 Solution Switch (Constant or Intermittent) (Clean Track L18)
- 16 Brush Pressure Control Knob
- 17 5 Amp Brush Motor Circuit Breaker
- 18A Handle Assembly 16
- 18B Handle Assembly 18
- 19A Handle Angle Adjustment Knobs
- 19B Handle Position Adjustment Lever
- 20 Cord Hook



PREPARING THE MACHINE FOR USE

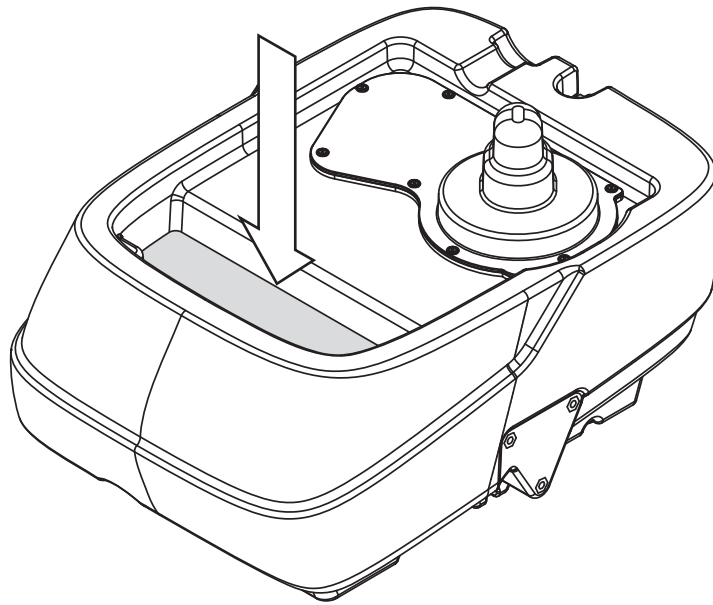
FILLING THE SOLUTION TANK

- 1 Turn the power switch to off (O) and then unplug the machine.
- 2 Remove the recovery hose. Lift the recovery tank from the machine and set it off to the side.
- 3 Read the dilution instructions on the chemical container. Then calculate the proper amount of chemical to mix with your machine's solution tank capacity of water; 7 gallons (26.5 liters) for Clean Track S16 or 11 gallons (42 liters) for Clean Track L 18.
- 4 Pour the chemical into the solution tank and fill the tank with hot water (maximum temperature 54°C/130°F). **NOTE:** Do not overfill the solution tank. The maximum fill point is when the solution level reaches the bottom of the lip on the tank opening. See Figure 4.
- 5 Put the Recovery Tank back on the machine. **NOTE:** Make sure the Recovery Tank is properly seated on the Solution Tank.

⚠ CAUTION!

Use low-sudsing, liquid detergents designed for carpet extraction.

FIGURE 4



BEFORE USING THE CLEAN TRACK

Thoroughly vacuum the carpet to be cleaned before using the Clean Track automatic extractor.

PRE-SPRAYING THE CARPET

Pre-spray spots and heavy traffic areas before extracting. Use a hand-held bottle sprayer or a pressurized "Hudson" type sprayer. Mix the pre-spray according to the chemical manufacturer's directions.

PLAN FOR CLEANING

Before you begin extracting, look at the area to be cleaned and plan your work. Divide the space into sections. Overlap each pass 2 inches (5 cm).

OPERATING THE MACHINE

- 1 Follow the instructions in the *Preparing the Machine for Use* section of this manual.
- 2 Loosen the Handle Height Adjustment Knobs (20A) and adjust the handle height to the most comfortable position for the operator. Re-tighten the knobs once the desired height is reached. Or lift up on Handle Position Adjustment Lever (20B) to adjust to a comfortable height.
- 3 Plug the machine into a properly grounded outlet. To start the vacuum motor and brush motor, turn Power and Extract / Accessory Switch (14) to the extract On (I) position (brush symbol).
- 4 Push down on the Brush Pressure Control Knob (16) to release the machine from the storage position.
- 5 Adjust the brush pressure. Turn the Brush Pressure Control Knob (16) counter-clockwise to decrease the brush pressure and clockwise to increase the brush pressure. The machine should assist, but not propel itself (on carpet) when the brush is properly adjusted.
- 6 Continually hold the Solution Switch (1) to dispense solution. Once the Solution Switch (1) is released the solution flow will stop. On the Clean Track L18, which is equipped with Solution Switch (Constant or Intermittent) (1), solution is dispensed in two ways.
 - When the Solution Switch (1) on the panel is in the “constant” position, solution is dispensed continuously and the Solution Switch (1) is disabled. This is mainly used when the machine is used in the high productivity walk behind mode.
 - When the Solution Switch (1) on the panel is in the “intermittent” position, solution is dispensed only when the Solution Switch (1) is pressed.
- 7 Begin cleaning by pulling the machine along in a straight line and overlap each pass by 2 inches (5 cm). Release the Solution Switch (1) prior to turns to ensure complete extraction of solution from carpet.
- 8 Watch the fluid entering the Recovery Tank Dome Lid (4). If there is a large amount of suds in the recovery tank, add a defoamer chemical to the recovery tank.

⚠ CAUTION!

Empty the recovery tank before the fluid or foam enters the vacuum motor.

If there is little or no fluid entering the recovery tank, check the Solution Drain Hose / Level Indicator (15), the solution tank may be empty. Refill the solution tank with water and the proper ratio of cleaning chemical.

- 9 The recovery tank has an Automatic Float Shut-Off (9) to block the vacuum system when the recovery tank is full. You can tell when the float closes by the sudden change in the sound of the vacuum motor. When the float closes, the recovery tank must be emptied. The machine can continue to dispense solution, but will not pick up water with the float closed.
- 10 When the operator wants to stop cleaning or the recovery tank is full, release the Solution Switch (1). Then turn the power switch Off (O) and unplug the machine.
- 11 Push the machine to a designated waste water “DISPOSAL SITE” and empty the recovery tank. To empty, pull the Recovery Tank Drain Hose (12) from its rear storage hanger, then remove the plug (hold the end of the hose above the water level in the tank to avoid sudden, uncontrolled flow of waste water). Refill the solution tank and continue cleaning.

USING ATTACHMENTS

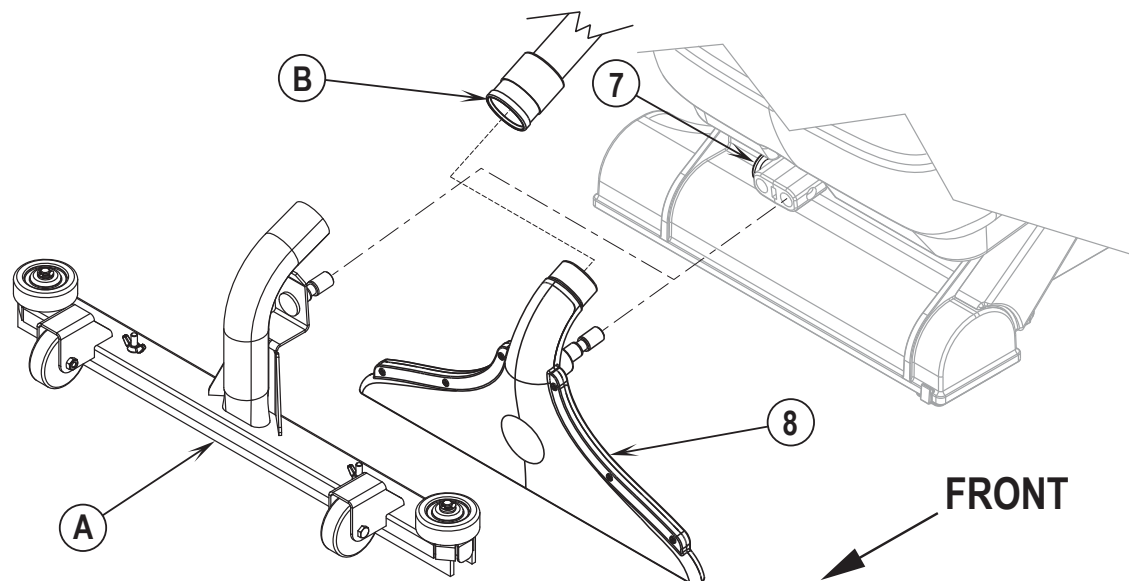
To use accessory tools, disconnect the recovery hose at the Recovery Tank Dome Lid (4). Attach the accessory’s recovery hose to the machine’s Recovery Tank Dome Lid (4). Attach the accessory’s solution hose to the machine’s Accessory Solution Port (2). When using accessory tools place the Extract/Accessory Switch (14) in the accessory position (wand symbol).

See your Clarke Distributor for accessories that may be used with the *Clean Track*.

HARD FLOOR KITS

The vacuum shoe can be removed and replaced with an optional Squeegee Tool (A) for use on hard floors. See Figure 5. The vacuum shoe can be removed by pulling on the Pin Release (7) and sliding the Vacuum Shoe (8) off. Then disconnect the Recovery Hose (B) from the vacuum shoe and connect to the squeegee tool. Attach the squeegee tool to the machine at the same mounting location used for the vacuum shoe, simply pull the pin release and slide the squeegee tool into place.

FIGURE 5



AFTER USING THE MACHINE

- 1 Turn the Power Switch (14) OFF (O). Unplug the Power Cord (10). Coil the cord and hang it from the cord hook.
- 2 To empty the solution tank, pull the Solution Drain Hose (15) off the elbow. Direct the hose to a designated waste water "DISPOSAL SITE". Rinse the tank with clean water. Inspect the solution hoses; replace if kinked or damaged.
- 6 To empty the recovery tank, take the Recovery Drain Hose (12) off its hanger. Direct the hose to a designated waste water "DISPOSAL SITE" and remove the plug (hold the end of the hose above the water level in the tank to avoid sudden, uncontrolled flow of waste water). Rinse the tank with clean water. Inspect the recovery and drain hoses; replace if kinked or damaged.
- 4 Remove the brush, rinse with warm water and remove any built-up string, hair or carpet fibers.
- 5 Disconnect the Recovery Hose (3) from the Recovery Tank Dome Lid (4) and flush with warm water to wash any debris out of the Recovery Hose and Vacuum Shoe.
- 6 Wipe the machine with a damp cloth. Do not use abrasive chemicals or solvents.
- 7 Perform any required maintenance before storage.

MAINTENANCE SCHEDULE

MAINTENANCE ITEM	Daily	Weekly	Yearly
Check / Clean Power Brush	•		
Check / Clean Tanks & Hoses	•		
Check / Clean Vacuum Shut-Off Float	•		
Clean Vacuum Shoe	•		
Inspect & Clean Solution Screen		•	
*Check Carbon Brushes			•

* Have a Clarke service technician check the vacuum motor carbon brushes once a year or after 300 operating hours. The brush motor carbon brushes check every 500 hours or once a year.

⚠ IMPORTANT!

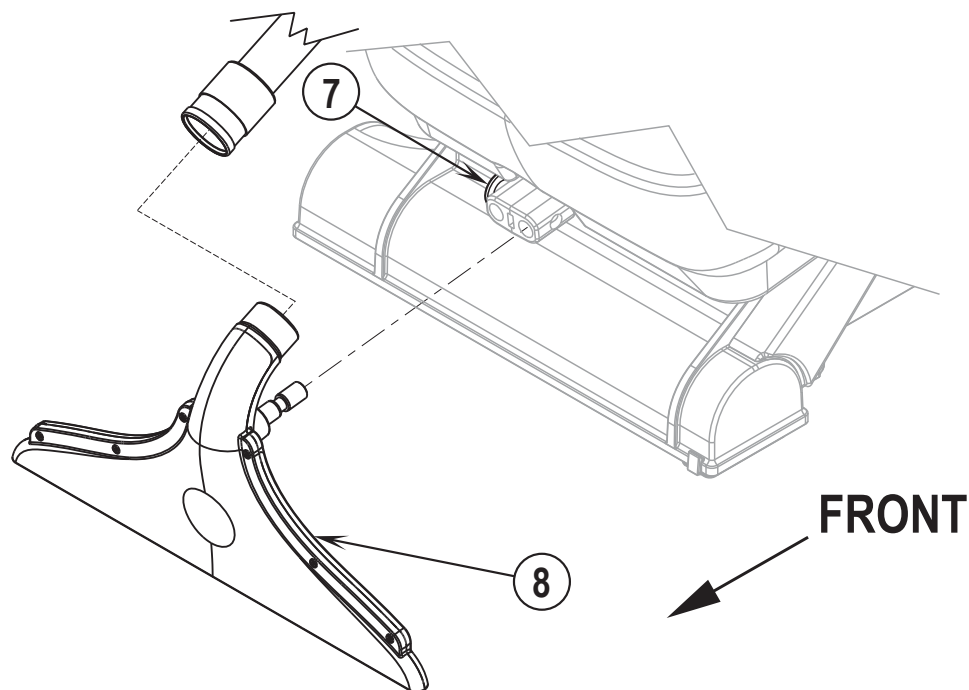
Motor damage resulting from failure to service the carbon brushes is not covered under warranty. See the Limited Warranty Statement.

- 8 Store the machine indoors in a clean, dry place with the tank dome lid open. Keep from freezing.
- 9 Place the machine in the storage position. Tip the machine back to lift the vacuum shoe off of the floor, then push in and up on the Brush Pressure Control Knob (17) until the knob locks into place.

VACUUM SHOE MAINTENANCE

Check the vacuum shoe daily. Remove any built-up string, hair or carpet fibers. See Figure 6. The vacuum shoe can be removed by pulling on the Pin Release (7) and sliding the Vacuum Shoe (8) off. Then disconnect the recovery hose from the shoe.

FIGURE 6



SOLUTION SCREEN MAINTENANCE

Once a week (or more often if necessary), clean the Solution Screen (11). Drain the solution and recovery tanks. Lift the recovery tank from the machine and set it off to the side. Reach inside the solution tank and unthread the solution filter to remove.

POWER CORD MAINTENANCE

Once a week (or more often if necessary), check the power cord for cracked or damaged insulation, exposed wires in the cord or plug, and damaged or missing ground pin. Repair or replace damaged cord or plug immediately.

ADJUSTING THE BRUSH PRESSURE

Simply turn the Brush Pressure Adjustment Knob (17) clockwise to increase brush pressure and counter-clockwise to decrease the brush pressure.

POWER BRUSH MAINTENANCE

Check the brush daily. Remove any built-up string, hair or carpet fibers. When the machine is not in use it should be placed in the storage position. This will prevent the brush from taking a set which will increase the brush life and maintain the performance of the brush.

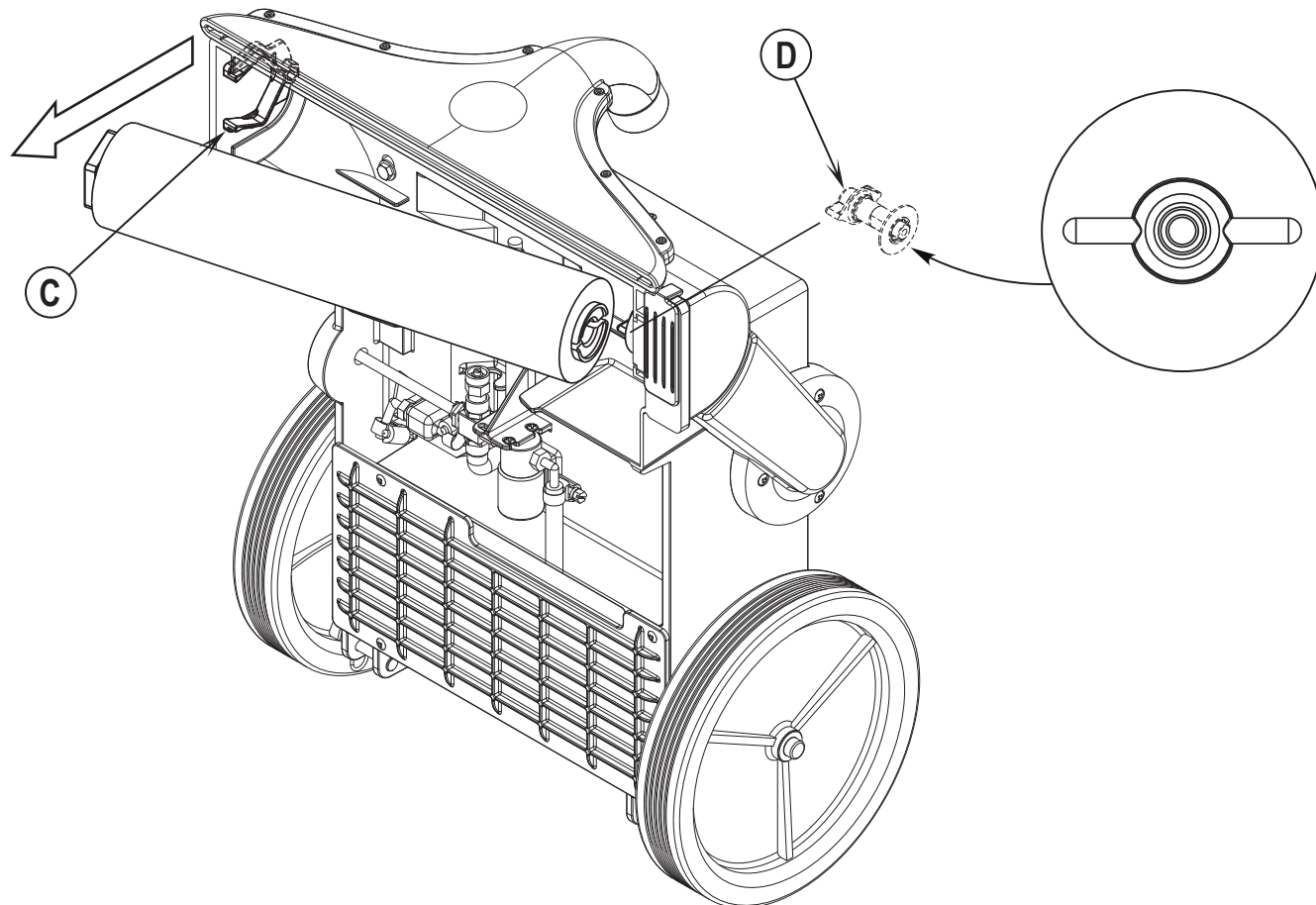
REMOVING THE BRUSH

⚠ CAUTION!

Turn the power switch off (O) and unplug the machine, before changing the brushes.

- 1 Empty both the recovery and solution tanks. Lift the recovery tank from the machine and set it off to the side.
- 2 Place the Handle Assembly (19) into the upright storage position and tip the machine over onto its back.
- 3 See Figure 7. Rotate the brush until the Drive Lug (D) is in a position where the fins on the drive lug are parallel to the floor.
- 4 Grab the brush at the end with the Brush Retainer Clip (C) and pull straight out.
- 5 Install a new brush at the drive lug end first then push the other brush end in until it snaps into the retainer clip.

FIGURE 7



TROUBLESHOOTING

If the possible causes listed below are not the source of trouble, it is a symptom of something more serious. Contact your Clarke Service Center immediately for service.

TRIPPING THE CIRCUIT BREAKER

The Circuit Breaker (18) is located on the Control Panel; it protects the electrical circuit and brush motor from damage due to overload conditions. If the circuit breaker is tripped try to determine the cause.

Brush Circuit Breaker (5 Amp) Possible cause may be:

- 1 Debris wrapped around the brush drive (remove debris)
- 2 Brush setting too low (adjust to proper brush pressure setting)
- 3 Electrical short circuit (have your Clarke Service Center or qualified electrician check the machine)

Once the problem has been corrected, push the button in to reset the circuit breaker. If the button does not stay in, wait 5 minutes and try again. If the circuit breaker trips repeatedly, call your Clarke Service Center for service.

POOR WATER PICKUP

Possible causes may be:

- 1 Recovery Tank Full (empty recovery tank)
- 2 Open recovery tank drain hose (secure drain hose cap or replace)
- 3 Recovery hose not connected at vacuum shoe (connect hose to vacuum shoe)
- 4 Recovery hose is kinked or damaged (replace the hose)
- 5 Recovery tank cover gasket leak (replace gasket)
- 6 Debris caught in vacuum shoe or recovery hose (clean vacuum shoe and recovery hose)

INADEQUATE SOLUTION FLOW

Possible causes may be:

- 1 Solution tank empty (fill solution tank)
- 2 Solution lines or screen clogged (flush lines and screen)

TECHNICAL SPECIFICATIONS (as installed and tested on the unit)

Model		Clean Track® S16	Clean Track® L18
Model No.		56382723	56382724
Voltage/frequency	V/Hz	120 / 50-60	120 / 50-60
Rated Current	Amp	13.3	14
Protection Class (electrical)		$\underline{\underline{I}}$	$\underline{\underline{I}}$
Sound Pressure Level (IEC 60704-2-1)	dB (A)/20 μ Pa	73.1dB LpA, 3dB KpA	73.1dB LpA, 3dB KpA
Total Weight	lbs/kg	99 / 45	203 / 92
Vibrations at the Hand Controls (ISO 5349-1)	m/s ²	0.72m/s ²	0.72m/s ²
Solution Tank Capacity		7 gal (26.5/)	11 gal (41.5/)
Recovery Tank Capacity		5 gal (19/)	8 gal (30/)

ÍNDICE

	Página
Introducción	B-3
Componentes y servicio	B-3
Placa de identificación.....	B-3
Desembalaje de la máquina	B-3
Precauciones y advertencias.....	B-4
Instrucciones de conexión a tierra.....	B-5
 Conozca su máquina	 B-6 — B-7
 Preparación de la máquina para su utilización	
Llenado del depósito de solución	B-8
Antes de la utilización.....	B-8
Pulverización previa de la moqueta.....	B-8
Planificación de la limpieza	B-8
 Funcionamiento	
Manejo de la máquina	B-9
Uso de accesorios	B-9
Kits de suelo duro.....	B-9
 Después de la utilización	
Después de la utilización de la máquina	B-10
 Mantenimiento	
Programa de mantenimiento	B-10
Mantenimiento de la zapata de aspiración	B-10
Mantenimiento de la criba de la solución	B-11
Mantenimiento de la criba de la solución	B-11
Mantenimiento del cable de alimentación	B-11
Ajuste de la presión del cepillo	B-11
Mantenimiento del cepillo de alimentación.....	B-11
Extracción del cepillo.....	B-11
 Localización de averías.....	 B-12
Especificaciones técnicas.....	B-12

INTRODUCCIÓN

Este manual le ayudará a obtener el máximo rendimiento de su aspirador de moqueta Clarke. Léalo con atención antes de utilizar la máquina.

Este producto está destinado exclusivamente a uso comercial.

COMPONENTES Y SERVICIO

Las reparaciones, cuando sean necesarias, deben ser realizadas por su Centro Autorizado de Servicio Clarke que utiliza personal de servicio formado en fábrica y lleva un inventario de piezas de repuesto y accesorios Clarke originales.

Llame al DISTRIBUIDOR CLARKE que se indica a continuación para lo referente a piezas de repuesto y servicio. Por favor, especifique el Modelo y Número de Serie cuando hable de su máquina.

MODIFICACIONES

Las modificaciones y los agregados a la máquina de limpieza que afecten su capacidad y su funcionamiento seguro no serán realizados por el cliente o el usuario sin la autorización previa y por escrito de Nilfisk-Advance Inc. Las modificaciones que no cuenten con la aprobación correspondiente anularán la garantía de la máquina y harán que el cliente sea responsable de cualquier accidente resultante.

PLACA DE IDENTIFICACIÓN

El Número de Modelo y Número de Serie de la máquina se indican en la placa de identificación instalada en la parte trasera de la máquina. Esta información es necesaria a la hora de solicitar repuestos para la máquina. Utilice el espacio situado más abajo para anotar el Modelo y Número de Serie de la máquina para futuras consultas.

MODELO _____

NÚMERO DE SERIE _____

DESEMBALAJE DE LA MÁQUINA

Cuando reciba la máquina, examine con atención el cartón de embalaje y la máquina, con el fin de comprobar si existe algún daño. Si observa algún daño, guarde la caja de embalaje para que se pueda inspeccionar. Póngase en contacto inmediatamente con el Departamento de Servicio al Cliente de Clarke para presentar una reclamación por daños en transporte.

ADVERTENCIA:

Los Productos a la venta en este Manual contienen, o pueden contener, productos químicos reconocidos por algunos gobiernos (como el Estado de California, según lo indica en su Proposición 65, Ley de Advertencia Regulatoria) como causantes de cáncer, defectos de nacimiento u otros daños reproductivos. En algunas jurisdicciones (incluido el Estado de California), los compradores de estos Productos que los coloquen en servicio en un emplazamiento laboral o en un espacio de acceso público tienen la obligación regulatoria de realizar determinados avisos, advertencias o divulgaciones respecto de los productos químicos contenidos o posiblemente contenidos en los Productos utilizados en tal lugar. Es la responsabilidad del comprador conocer y cumplir con todas las leyes y reglamentaciones relacionadas con el uso de estos Productos en tales entornos. El Fabricante niega toda responsabilidad de informar a los compradores sobre requisitos específicos que pueden regir el uso de los Productos en tales entornos.

INSTRUCCIONES IMPORTANTES DE SEGURIDAD

Esta máquina es apta únicamente para su uso comercial, por ejemplo, en hoteles, colegios, hospitales, tiendas y oficinas, y no para la limpieza diaria del hogar.

Cuando utilice un aparato eléctrico se deben seguir instrucciones básicas, incluyendo las siguientes:



Lea todas y cada una de las instrucciones antes de utilizar el aparato.

¡ADVERTENCIA!

Para reducir el riesgo de incendio, descargas eléctricas o lesiones:

- No abandone el aparato mientras esté enchufado. Desenchufe la unidad de la toma mural cuando no lo utilice o antes de realizar el servicio.
- Para evitar descargas eléctricas, no exponga el aparato a la lluvia. Guárdelo en un lugar cubierto.
- Esta máquina no debe ser utilizada por personas (incluidos niños) con capacidades físicas, sensoriales o mentales reducidas, o con falta de experiencia y conocimientos.
- No permita que se utilice como juguete. Es necesario prestar mucha atención cuando se usa cerca de niños.
- Utilícelo sólo de la manera descrita en este manual. Utilice sólo los accesorios recomendados por el fabricante.
- No utilice el aparato si observa daños en el cable o el enchufe. Si el aparato no funciona como debe, se ha caído al suelo, se ha deteriorado, se ha dejado en el exterior o se ha caído al agua, envíelo a un centro de servicio.
- No tire del cable ni arrastre el aparato por medio del cable, no utilice el cable a modo de mango, evite que el cable quede atrapado al cerrar las puertas y no tire del cable contra bordes agudos o esquinas. No pase el aparato por encima del cable. Mantenga el cable lejos de superficies calientes.
- No desenchufe tirando del cable. Para desenchufar, tire del enchufe y no del cable.
- No manipule el enchufe ni el aparato con las manos húmedas.
- No coloque ningún objeto en las aberturas. No utilice el aparato con las aberturas obstruidas; manténgalas libres de polvo, hilos, pelo o cualquier otra sustancia que pueda impedir la circulación del aire.
- Mantenga el cabello, las ropas sueltas, los dedos y todas las partes del cuerpo lejos de las aberturas y de las partes en movimiento.
- No recoja ningún material en combustión o que eche humo, como cigarrillos o cerillas, o cualquier tipo de polvo que representara una amenaza para la salud.
- Apague todos los controles antes de desenchufar el aparato.
- Tenga un cuidado especial cuando limpie en escaleras.
- No utilice el aparato para recoger líquidos inflamables o combustibles, como gasolina, ni en lugares en los que pueda haber dichos líquidos.
- Si sale espuma o líquido con el escape de aspiración, apague el aparato inmediatamente. Compruebe que no haya objetos extraños que no permitan el libre movimiento del flotador. Póngase en contacto con Clarke si el problema persiste.
- El líquido eyectado por la boquilla de pulverización podría ser peligroso debido a su temperatura, presión o contenido químico.
- Use solamente los cepillos suministrados junto con el aparato o aquellos especificados en el manual de instrucciones. El uso de otros cepillos puede afectar a la seguridad.

GUARDE ESTAS INSTRUCCIONES

120VAC INSTRUCCIONES PARA HACER LA TOMA A TIERRA

Este aparato deberá ser conectado a tierra. En caso de malfuncionamiento o de desperfectos, la toma a tierra proporciona una vía de menor resistencia de la corriente eléctrica para reducir el riesgo de choques eléctricos. Esta unidad viene equipada con un cordón con conductores para toma a tierra y con un enchufe con toma a tierra. Ese enchufe deberá ser enchufado a un receptáculo en buen estado con instalación a tierra según los códigos y ordenanzas de la zona.

⚠ ¡PELIGRO!

Si el conductor a tierra no está instalado correctamente pueden producirse riegos de choques eléctricos. En caso de duda, consulte con un electricista o personal de servicio autorizados. No modifique el cordón provisto con el aparato. Si no calza en el receptáculo, llame a un electricista calificado para que coloque un receptáculo adecuado.

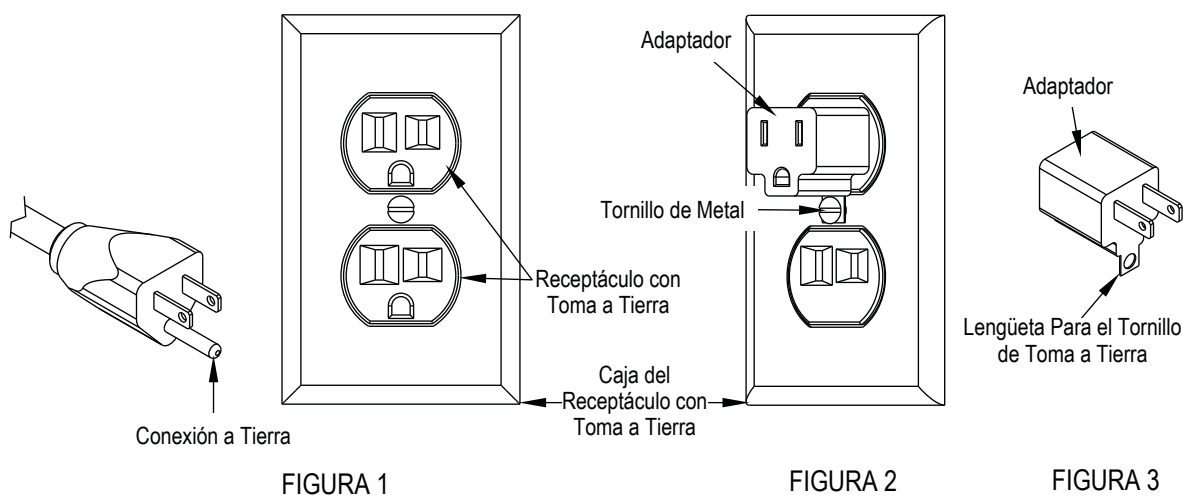
Este aparato se usa con un circuito de 120-voltios nominales, y tiene un enchufe con toma a tierra tal como se muestra en la figura 1, a continuación. Se puede usar un adaptador provisorio tal como se ve en las figuras 2 y 3 en caso de disponerse de un receptáculo sin toma a tierra como en la figura 2. Dicho adaptador provisorio se usará solamente hasta que un electricista calificado instale un receptáculo con la toma a tierra correspondiente (figura 1). La lengüeta de conexión de color verde que sale del adaptador deberá ser conectada a una toma a tierra permanente como, por ejemplo, la caja del receptáculo con toma a tierra. Siempre que se use el adaptador, hay que sostenerlo en su lugar con un tornillo de metal.

Sustituya el enchufe si la patilla de tierra está dañada o rota.

El hilo verde (o verde/amarillo) del cordón es el hilo de tierra. Cuando sustituya el enchufe, este hilo sólo debe ir conectado a la patilla de tierra.

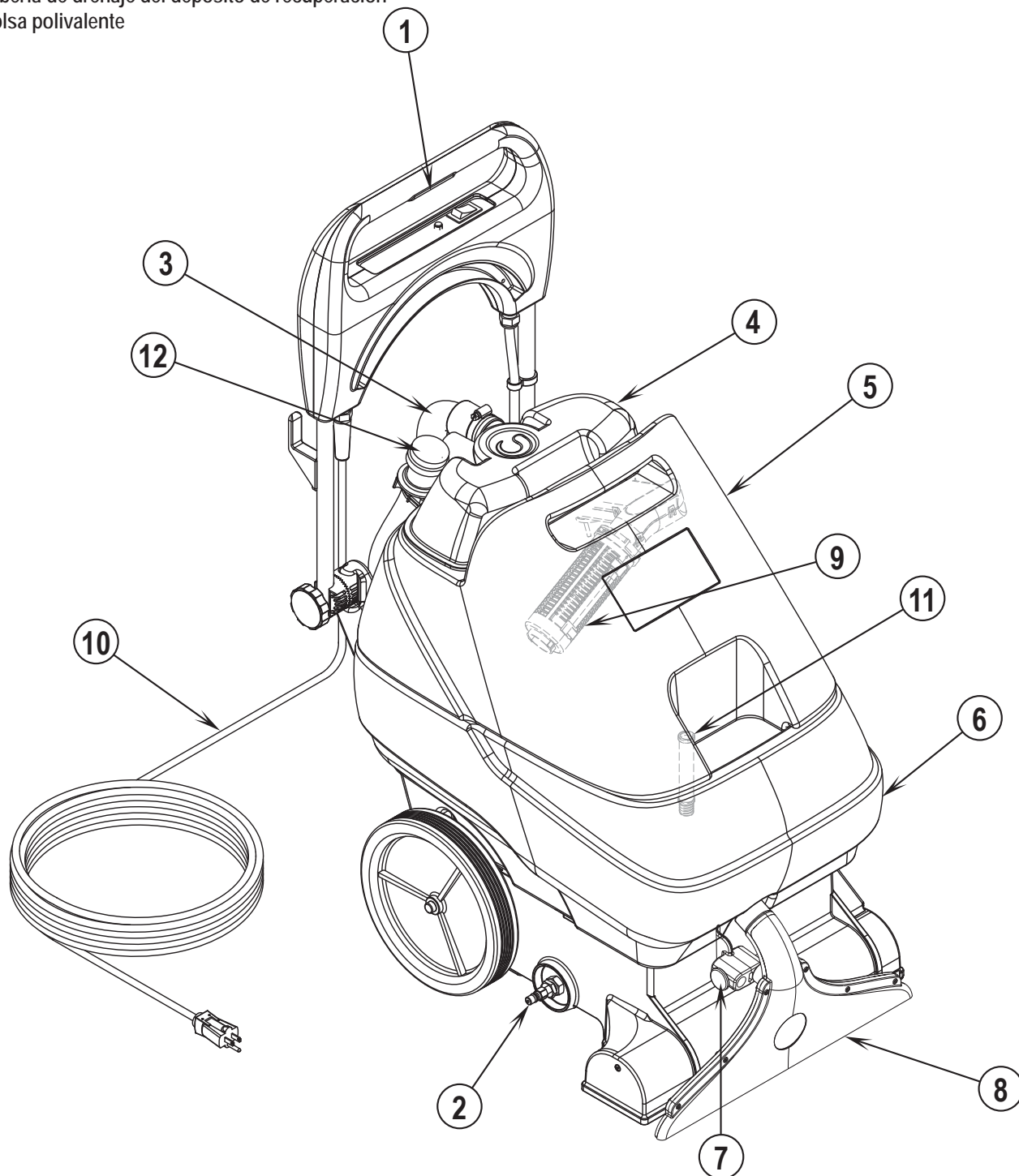
Los cables alargadores conectados a esta máquina deben ser del calibre 12, trifilares, con tres patillas y tomas de pared adecuadas. **NO UTILICE** cables alargadores de más de 15 m.

ATENCIÓN : PARA AMÉRICA DE NORTE SOLAMENTE.



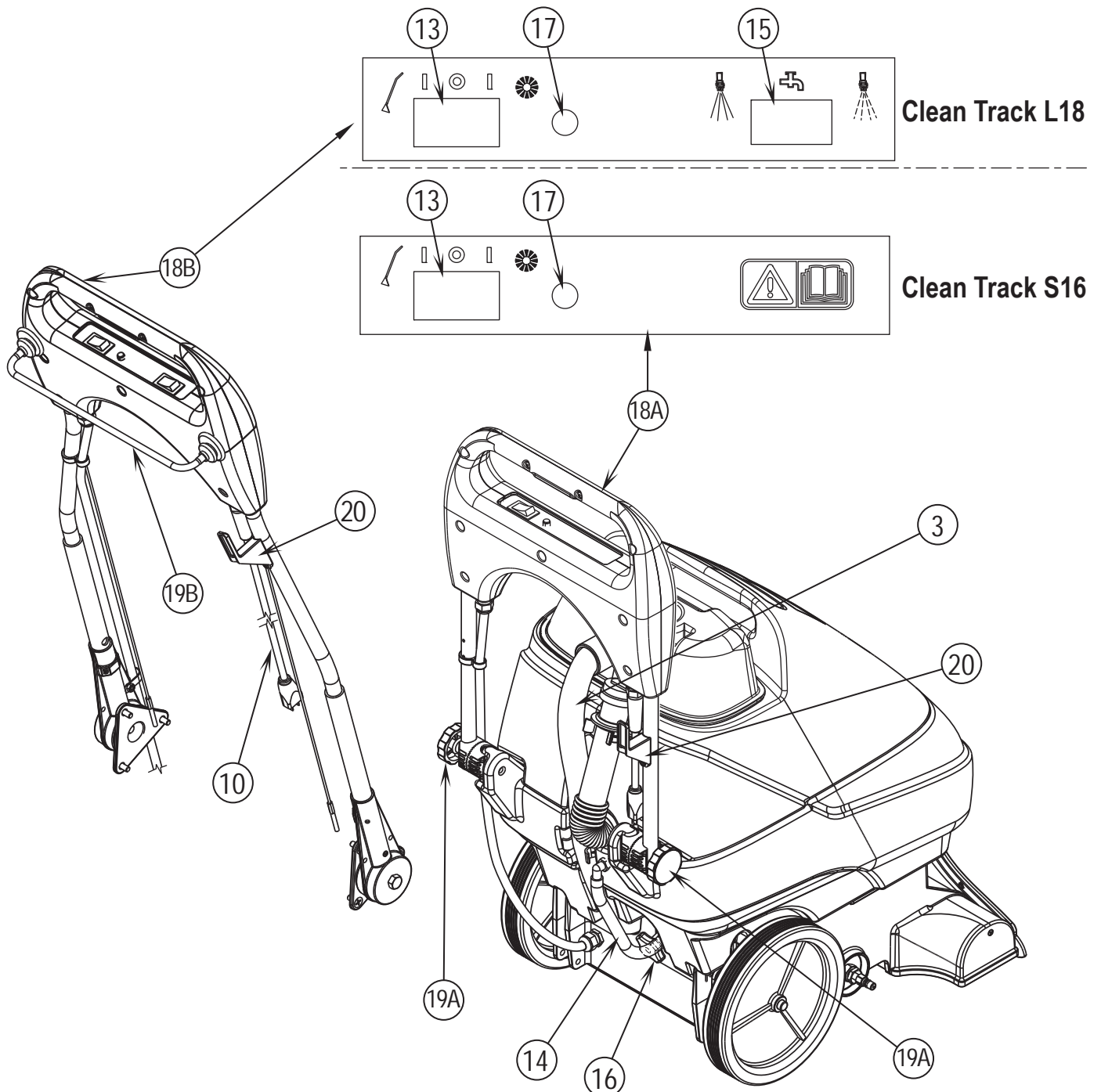
CONOZCA SU MÁQUINA

- 1 Conmutador de la solución
- 2 Puerto de solución del accesorio
- 3 Tubería de recuperación
- 4 Tapa del depósito de recuperación
- 5 Depósito de recuperación
- 6 Depósito de solución
- 7 Pasador de seguridad para la zapata de aspiración
- 8 Zapata de aspiración
- 9 Cierre de flotador automático
- 10 Cable de alimentación
- 11 Criba de la solución
- 12 Tubería de drenaje del depósito de recuperación
- 13 Bolsa polivalente



CONOZCA SU MÁQUINA (CONTINUACIÓN)

- 14 Conmutador del accesorio de succión y de corriente
- 15 Tubería de drenaje de la solución / Indicador de nivel
- 16 Conmutador de la solución (constante o intermitente) (Clean Track L18)
- 17 Botón de control de la presión del cepillo
- 18 Disyuntor del motor del cepillo de 5 amperios
- 19A Conjunto de mango 16
- 19B Conjunto de mango 18
- 20A Botones de ajuste del ángulo del mango
- 20B Palanca de ajuste de la posición del mango



PREPARACIÓN DE LA MÁQUINA PARA SU UTILIZACIÓN

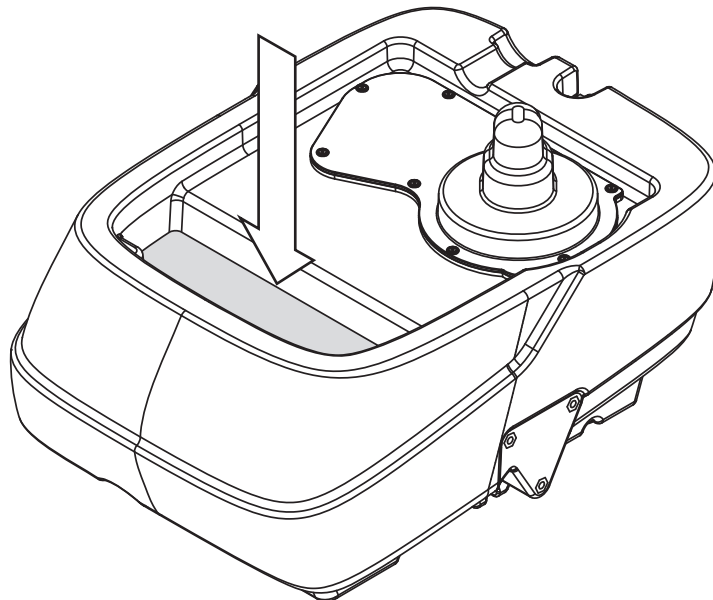
LLENADO DEL DEPÓSITO DE SOLUCIÓN

- 1 Apague el conmutador de corriente (O) y desenchufe la máquina.
- 2 Levante el depósito de recuperación de la máquina y apártelo a un lado. Esto puede realizarse sin desconectar la tubería de recuperación.
- 3 Lea las instrucciones que aparecen en el envase del producto químico. A continuación, calcule la cantidad adecuada de producto químico que se mezclará con la capacidad de agua del depósito de solución de su máquina; 7 galones (26,5 litros para Clean Track S16 ó 11 galones (42 litros) para Clean Track L18.
- 4 Vierta el producto químico en el depósito de solución y llene el depósito con agua caliente (temperatura máxima de 54°C). **NOTA:** No llene en exceso el depósito de solución. El punto de llenado máximo se alcanza cuando el nivel de la solución llega a la parte inferior del borde situado en la apertura del depósito. Ver la Figura 4.
- 5 Vuelva a colocar el depósito de recuperación en la máquina. **NOTA:** Asegúrese de asentar correctamente el depósito de recuperación en el depósito de solución.

⚠ ¡PRECAUCIÓN!

Utilice detergentes líquidos de bajo poder espumante diseñados para la succión de moquetas.

FIGURA 4



ANTES DE UTILIZAR EL CLEAN TRACK

Aspire completamente la moqueta que va a limpiar antes de utilizar el aspirador automático Clean Track.

PULVERIZACIÓN PREVIA DE LA MOQUETA

Pulverice previamente las manchas y las zonas por las que más se circula. Utilice un pulverizador de mano o un pulverizador presurizado tipo "Hudson". Mezcle el producto de pulverización de acuerdo con las recomendaciones del fabricante.

PLANIFICACIÓN DE LA LIMPIEZA

Antes de empezar a aspirar, observe la zona que va a limpiar y planifique su trabajo. Divida el espacio en secciones. Debe solapar los tramos unos 5 cm.

MANEJO DE LA MÁQUINA

- 1 Siga las instrucciones de la sección Preparación de la máquina para el uso de este manual.
- 2 Afloje los botones de ajuste de altura del mango (20A) y ajuste la altura del mango en la posición más cómoda para el operario. Vuelva a apretar los botones una vez alcanzada la altura deseada. O levante la palanca de ajuste de la posición del mango (20B) para ajustarlo a una altura cómoda.
- 3 Enchufe la máquina en una toma de corriente puesta a tierra correctamente. Para arrancar el motor de aspiración y el motor del cepillo, ponga el conmutador del accesorio de succión y de corriente (14) en la posición On (I) de succión (símbolo del cepillo).
- 4 Pulse el botón de control de la presión del cepillo (16) para soltar la máquina de la posición de almacenaje.
- 5 Ajuste de la presión del cepillo. Gire el botón de control de la presión del cepillo (16) en el sentido contrario a las agujas del reloj para reducir la presión del cepillo y en el sentido de las agujas del reloj para aumentar la presión del cepillo. La máquina no debe propulsarse (en la moqueta) cuando el cepillo está correctamente ajustado.
- 6 Mantenga pulsado el conmutador de la solución (1) para aplicar la solución. Una vez que se suelta el conmutador de la solución (1), el flujo de solución se detendrá. En el Clean Track L18, equipado con el conmutador de la solución (constante o intermitente) (1), la solución se aplica de dos maneras.
 - Cuando el conmutador de la solución (1) en el panel está en la posición "constante", la solución se aplica de manera continua y el conmutador de la solución (1) está desactivado. Éste se utiliza principalmente cuando la máquina se usa en el modo de a pie de alto rendimiento.
 - Cuando el conmutador de la solución (1) en el panel está en la posición "intermitente", la solución se aplica de manera continua y el conmutador de la solución (1) está pulsado.
- 7 Comience a limpiar pasando la máquina por una línea recta y solape los distintos tramos unos 5 cm. Suelte el conmutador de la solución (1) antes de girar para garantizar la completa succión de la solución de la moqueta.
- 8 Observe la introducción del fluido en la tapa del depósito de recuperación (4). Si hay demasiada espuma en el depósito de recuperación, añada un antiespumante en el depósito de recuperación.

⚠ ¡PRECAUCIÓN!

Vacíe el depósito de recuperación antes de que el fluido o la espuma se introduzca en el motor de aspiración.

Si no se introduce fluido en el depósito de recuperación, o sólo se introduce una pequeña cantidad, compruebe el indicador de nivel de la tubería de drenaje de la solución (15); es posible que el depósito de solución esté vacío. Rellene el depósito de solución con agua y la cantidad adecuada de limpiador químico.

- 9 El depósito de recuperación tiene un cierre de flotador automático (9) para bloquear el sistema de aspiración cuando el depósito de recuperación está lleno. Se puede reconocer el momento en que se cierra el flotador por el cambio súbito del ruido del motor de aspiración. Hay que vaciar el depósito de recogida cuando el flotador lo cierra. La máquina no recogerá el agua si el flotador está cerrado.
- 10 Cuando el operario desea detener la limpieza o el depósito de recuperación está lleno, suelte el conmutador de la solución (1). A continuación, apague el conmutador de corriente (O) y desenchufe la máquina.
- 11 Lleve la máquina a un lugar establecido para la eliminación de aguas residuales y vacíe el depósito de recuperación. Para vaciarla, tire de la tubería de drenaje del depósito de recuperación (12) para sacarla de su soporte de almacenamiento trasero y, a continuación, retire el tapón (sostenga el extremo de la tubería por encima del nivel de agua para evitar el flujo súbito e incontrolado de agua residual). Rellene el depósito de solución y siga limpiando.

USO DE ACCESORIOS

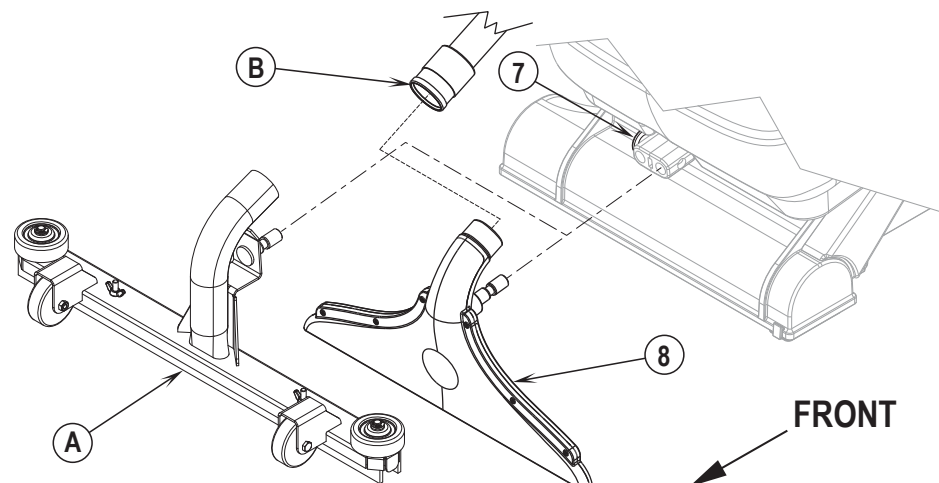
Para utilizar accesorios, desconecte la tubería de recuperación en la tapa del depósito de recuperación (4). Fije la tubería de recuperación del accesorio a la tapa del depósito de recuperación de la máquina (4). Fije la manguera de solución del accesorio al puerto de solución del accesorio de la máquina (2). Al utilizar accesorios, coloque el conmutador del accesorio de succión (14) en la posición de accesorio (símbolo de vara).

Póngase en contacto con su distribuidor Clarke en cuanto a los accesorios que pueden utilizarse con el *Clean Track*.

KITS DE SUELO DURO

La zapata de aspiración puede extraerse y volverse a colocar con una herramienta de boquilla opcional (A) para el uso de la máquina en suelos duros. Ver la Figura 5. La zapata de aspiración puede extraerse tirando del pasador de seguridad (7) y retirando la zapata de aspiración (8). A continuación, desconecte la tubería de recuperación (B) de la zapata de aspiración y conéctela a la herramienta de boquilla. Fije la herramienta de boquilla a la máquina en la misma posición de montaje que la zapata de aspiración; tire del pasador de seguridad y deslice la herramienta de boquilla en su lugar.

FIGURA 5



DESPUÉS DE LA UTILIZACIÓN DE LA MÁQUINA

- 1 Apague (14) el conmutador de corriente (O). Desenchufe el cable de alimentación (10). Enrolle el cable y cuélguelo del gancho que sostiene el cable.
- 2 Para vaciar el depósito de solución, retire la tubería de drenaje de la solución (15) del codo. Dirija la tubería a un lugar establecido para la eliminación de aguas residuales. Enjuague el depósito con agua limpia. Inspeccione las mangueras de solución y sustitúyalas si están torcidas o dañadas.
- 3 Para vaciar el depósito de recuperación, saque la tubería de drenaje de recuperación (12) de su soporte. Dirija la tubería al lugar establecido para la eliminación de aguas residuales y retire el tapón (sostenga el extremo de la tubería por encima del nivel de agua para evitar el flujo súbito e incontrolado de agua residual). Enjuague el depósito con agua limpia. Inspeccione las tuberías de recuperación y de drenaje y sustitúyalas si están torcidas o dañadas.
- 4 Retire el cepillo, enjuague con agua caliente y retire restos de hilos, pelo o fibras de la moqueta.
- 5 Desconecte la tubería de recuperación (3) de la tapa del depósito de recuperación (4) y lave con agua caliente para eliminar los residuos de la tubería de recuperación y de la zapata de aspiración.
- 6 Limpie la máquina con un paño húmedo. No utilice disolventes ni productos químicos abrasivos.
- 7 Realice cualquier operación de mantenimiento que sea necesaria antes de guardar la máquina.

PROGRAMA DE MANTENIMIENTO

OPERACIÓN DE MANTENIMIENTO	Diaria	Semanal	Anual
Limpiar e inspeccionar el cepillo de alimentación	•		
Limpiar e inspeccionar depósitos y tuberías	•		
Limpiar e inspeccionar el flotador de cierre de la aspiración	•		
Limpiar la zapata de aspiración	•		
Limpiar e inspeccionar la criba de la solución		•	
* Inspeccionar los cepillos de carbono			•

** Haga que un técnico de mantenimiento de Clarke revise los cepillos de carbono del motor de aspiración una vez al año o después de 300 horas de funcionamiento. Compruebe los cepillos de carbono de los motores del cepillo cada 500 horas o una vez al año.

⚠ ¡IMPORTANTE!

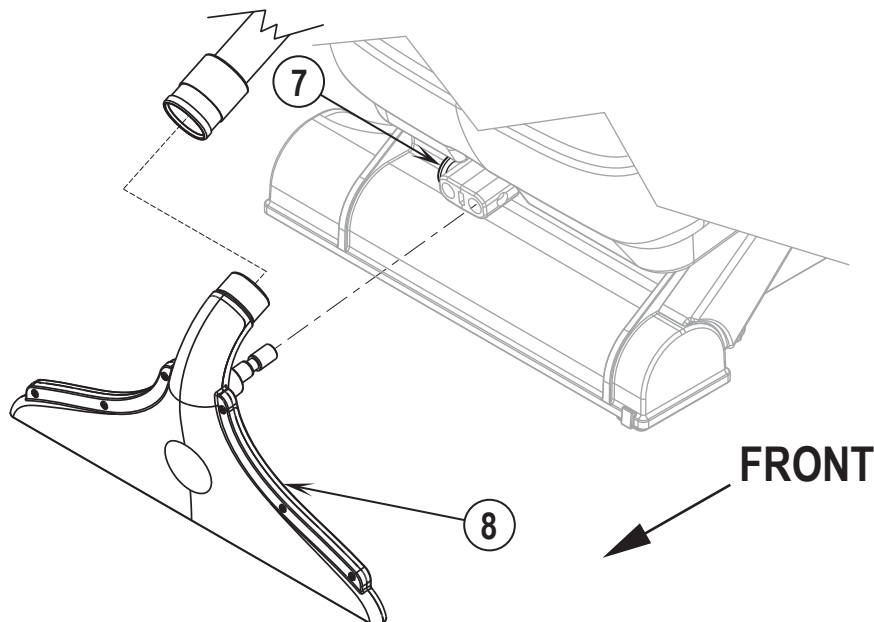
Los daños al motor causados por no haber revisado y mantenido los cepillos de carbono no están cubiertos por la garantía. Consulte la Declaración de Garantía Limitada.

- 8 Guarde la máquina en el interior, en un lugar limpio y seco, con la tapa del depósito abierta. Protéjala de la congelación.
- 9 Coloque la máquina en la posición de almacenaje. Incline la máquina hacia atrás para levantar la zapata de aspiración del suelo; a continuación, pulse y levante el botón de control de la presión (17) hasta que quede bloqueado en su sitio.

MANTENIMIENTO DE LA ZAPATA DE ASPIRACIÓN

Compruebe la zapata de aspiración diariamente. Retire restos de hilos, pelo o fibras de la moqueta. Ver la Figura 6. La zapata de aspiración puede extraerse tirando del pasador de seguridad (7) y retirando la zapata de aspiración (8). A continuación, desconecte la tubería de recuperación de la zapata.

FIGURA 6



MANTENIMIENTO DE LA CRIBA DE LA SOLUCIÓN

Una vez por semana (o más si fuera necesario), limpie la criba de la solución (11). Drene los depósitos de recuperación y de solución. Levante el depósito de recuperación de la máquina y apártelo a un lado. Acceda al interior del depósito de solución y deshebre el filtro de la solución que se va a retirar.

MANTENIMIENTO DEL CABLE DE ALIMENTACIÓN

Una vez por semana (o más si fuera necesario), compruebe el cable de alimentación para ver si existen grietas o si el aislamiento está dañado, si hay hilos expuestos en el cable o en el enchufe y si la patilla de tierra está dañada o no está presente. Repare o sustituya el cable o enchufe dañado inmediatamente.

AJUSTE DE LA PRESIÓN DEL CEPILLO

Gire el botón de ajuste de la presión del cepillo (17) en el sentido de las agujas del reloj para aumentar la presión del cepillo y en el sentido contrario a las agujas del reloj para reducir la presión del cepillo.

MANTENIMIENTO DEL CEPILLO DE ALIMENTACIÓN

Compruebe el cepillo diariamente. Retire restos de hilos, pelo o fibras de la moqueta. Cuando la máquina no se esté utilizando debe colocarse en la posición de almacenaje. Esto evita que el cepillo se aplaste, de modo que la vida útil del cepillo aumenta y se preserva la eficacia del mismo.

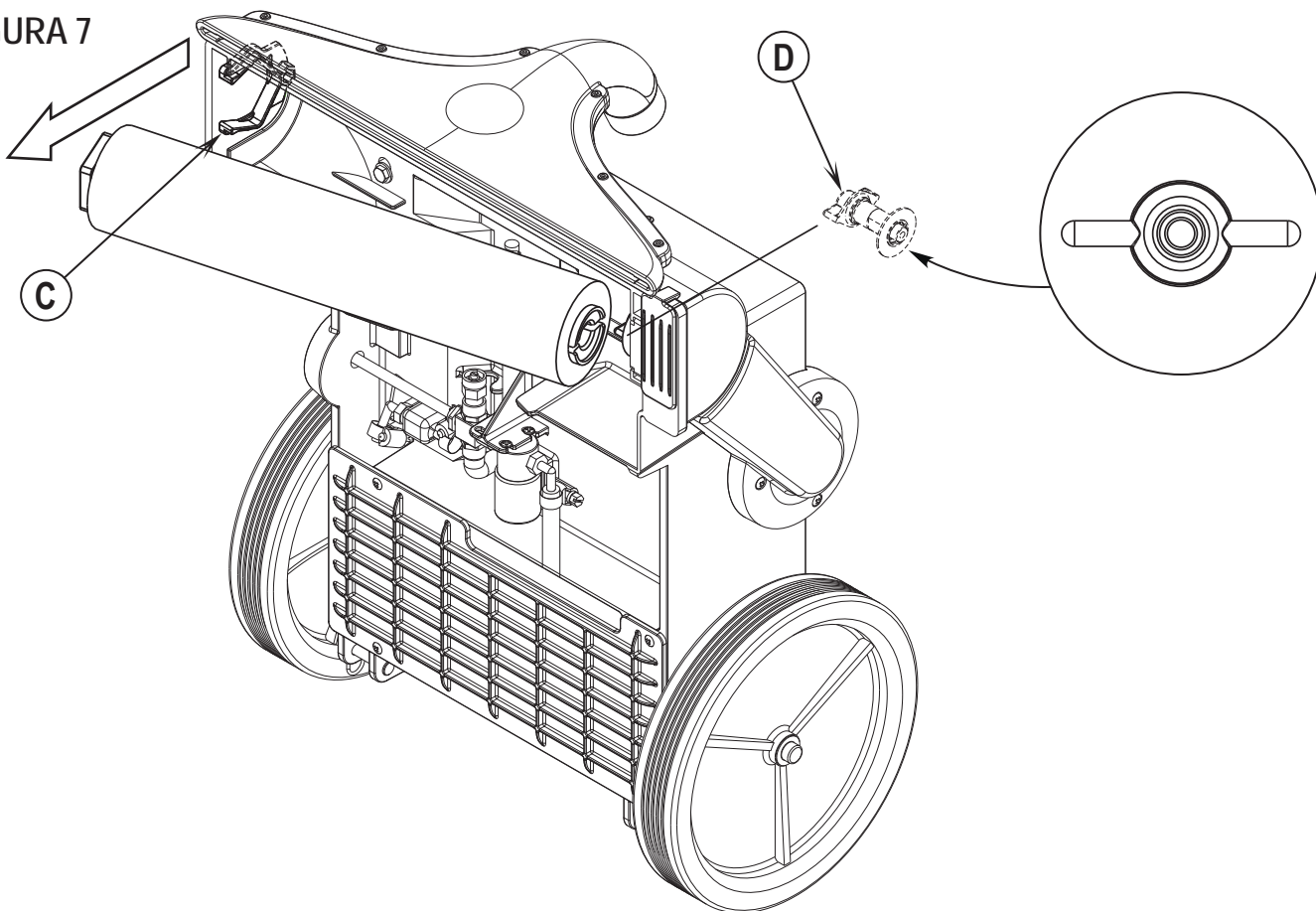
EXTRACCIÓN DEL CEPILLO

⚠ ¡PRECAUCIÓN!

Apague el conmutador de corriente (O) y desenchufe la máquina antes de sustituir los cepillos.

- 1 Vacíe los depósitos de recuperación y de solución. Levante el depósito de recuperación de la máquina y apártelo a un lado.
- 2 Coloque el conjunto de mango (19) en la posición de almacenaje e incline la máquina hacia atrás.
- 3 Ver la Figura 7. Gire el cepillo hasta que la lengüeta de transmisión (D) esté en una posición en la cual las aletas de dicha lengüeta se encuentren paralelas al suelo.
- 4 Agarre el cepillo en el extremo con la pinza de sujeción del cepillo (C) y tire hacia fuera.
- 5 Instale un nuevo cepillo en el extremo de la lengüeta de transmisión y, a continuación, introduzca el otro extremo del cepillo hasta que encaje dentro de la pinza de sujeción.

FIGURA 7



LOCALIZACIÓN DE AVERÍAS

Si las posibles causas indicadas a continuación no son el origen del problema, éste es un síntoma de algo más grave. Póngase en contacto inmediatamente con su Centro de Servicio Clarke.

DESCONEXIÓN DEL DISYUNTOR

El disyuntor (18) se encuentra situado en el panel de control; protege el circuito eléctrico y el motor del cepillo de daños debidos a condiciones de sobrecarga. Si se produce la desconexión del disyuntor, intente averiguar la causa.

Posibles causas de desconexión del disyuntor del cepillo (5 A):

- 1 Residuos atascados en la transmisión del cepillo (retire los residuos)
- 2 Ajuste del cepillo demasiado bajo (ajuste la correctamente)
- 3 Cortocircuito eléctrico (revise la máquina en un Centro de Servicio Clarke o consulte a un electricista cualificado)

Una vez corregido el problema, pulse el botón para volver a conectar el disyuntor. Si el botón no queda pulsado, espere 5 minutos e inténtelo de nuevo. Si el disyuntor se desconecta una y otra vez, póngase en contacto con su Centro de Servicio Clarke.

MALA RECOGIDA DEL AGUA

Posibles causas:

- 1 Depósito de recuperación lleno (vacíe el depósito de recuperación)
- 2 Abra la tubería de drenaje del depósito de recuperación (sujete la tapa de la tubería o sustitúyala)
- 3 Tubería de recuperación no conectada a la zapata de aspiración (conecte la tubería a la zapata)
- 4 La tubería de recuperación está torcida o dañada (sustituya la tubería)
- 5 Fuga en la junta de la tapa del depósito de recuperación (sustituya la junta)
- 6 Residuos atrapados en la zapata de aspiración o en la tubería de recuperación (limpie la zapata de aspiración y la tubería de recuperación)

FLUJO DE SOLUCIÓN INADECUADO

Posibles causas:

- 1 Depósito de solución vacío (llene el depósito de solución)
- 2 Cribas o tuberías de la solución obstruidas (lave las tuberías y las cribas)

ESPECIFICACIONES TÉCNICAS (según la instalación y comprobaciones de la unidad)

Modelo		Clean Track S16	Clean Track L18
Nº Modelo		56382723	56382724
Voltaje/frecuencia	V/Hz	120 / 50-60	120 / 50-60
Corriente nominal	Amp	13.3	14
Clase de protección (eléctrica)		$\underline{\underline{\perp}}$	$\underline{\underline{\perp}}$
Nivel de ruido (IEC 60704-2-1)	dB(A)/20 μ Pa	73.1dB LpA, 3dB KpA	73.1dB LpA, 3dB KpA
Peso total	lbs/kg	99 / 45	203 / 92
Vibración en los controles manuales (ISO 5349-1)	m/s ²	0.72m/s ²	0.72m/s ²
Capacidad del depósito de solución		7 gal (26.5)	11 gal (41.5)
Capacidad del depósito de recuperación		5 gal (19)	8 gal (30)

TABLE DES MATIÈRES

	Page
Introduction	C-3
Pièces et service après-vente	C-3
Plaque d'identification.....	C-3
Déballage de la machine.....	C-3
Avertissements	C-4
Instructions de mise à la terre	C-5
 Apprenez à connaître votre machine	 C-6 — C-7
 Préparation de la machine	
Remplissage du réservoir de solution	C-8
Avant l'utilisation.....	C-8
Prévaporisation du tapis.....	C-8
Plan de nettoyage.....	C-8
 Fonctionnement	
Fonctionnement de la machine	C-9
Utilisation des accessoires	C-9
Kits sols durs	C-9
 Après l'utilisation	
Après l'utilisation de la machine	C-10
 Entretien	
Programme d'entretien	C-10
Maintenance de l'embout d'aspiration	C-10
Maintenance du filtre de solution.....	C-11
Maintenance du cordon d'alimentation.....	C-11
Réglage de la pression de la brosse	C-11
Maintenance des brosses mécaniques	C-11
Démontage de la brosse	C-11
 Dépannage.....	 C-12
Spécifications techniques	C-12

INTRODUCTION

Ce mode d'emploi vous permettra d'exploiter au maximum les fonctionnalités de votre extracteur Clarke. Lisez-le attentivement avant d'utiliser la machine.

Ce produit est conçu pour un usage commercial uniquement.

PIÈCES ET SERVICE APRÈS-VENTE

Si nécessaire, les réparations doivent être effectuées par votre centre de service Clarke agréé. Ce dernier emploie du personnel formé en usine et maintient un inventaire de pièces de rechange et d'accessoires Clarke d'origine.

Pour tout entretien ou réparation, contactez le REVENDEUR CLARKE mentionné ci-dessous. Veuillez préciser le modèle et le numéro de série de votre machine dans toute communication.

MODIFICATIONS

Les altérations et ajouts d'éléments à la machine de lavage, qui affectent ses capacités et son fonctionnement sécurisé, ne doivent pas être réalisés sans le consentement préalable et écrit de Nilfisk-Advance Inc. Toute altération non approuvée annulera la garantie de la machine. En outre, le client sera entièrement responsable des accidents associés.

PLAQUE D'IDENTIFICATION

Le modèle et le numéro de série de votre machine figurent sur la plaque d'identification située derrière, à la base de la machine. Ces informations sont nécessaires lors de la commande de pièces détachées. Utilisez l'espace ci-dessous pour consigner ces renseignements en vue d'une utilisation ultérieure.

MODÈLE _____

NUMÉRO DE SÉRIE _____

DÉBALLAGE DE LA MACHINE

Lors de la livraison de la machine, veuillez inspecter soigneusement le carton de conditionnement et la machine elle-même afin de déceler tout dommage éventuel. En cas de dommages manifestes, conservez le carton de conditionnement afin d'en permettre l'inspection. Le cas échéant, prenez immédiatement contact avec le service clientèle de Clarke afin de faire une déclaration de dégât de fret.

AVERTISSEMENT !

Les Produits vendus avec le présent manuel contiennent ou peuvent contenir des produits chimiques reconnus par certains gouvernements (comme l'État de Californie, par le biais de la proposition de loi d'avertissement réglementaire 65) comme provoquant des cancers, des anomalies congénitales et autres dangers pour la reproduction. Dans certains endroits (comme l'État de Californie), les acheteurs de ces Produits, qui les utilisent sur un lieu de travail ou dans un espace public, ont l'obligation d'apposer certains avis, avertissements ou informations concernant les produits chimiques qui sont ou peuvent être contenus dans les Produits dans ces lieux ou aux alentours de ces lieux de travail. Il incombe à l'acheteur de connaître les dispositions de, et de respecter, toutes les lois et réglementations ayant trait à l'utilisation de ces Produits au sein de tels environnements. Le Fabricant rejette toute responsabilité d'informer les acheteurs concernant les exigences spécifiques qui peuvent s'appliquer à l'utilisation des Produits dans de tels environnements.

CONSIGNES DE SÉCURITÉ IMPORTANTES

Cette machine est destinée à un usage commercial et peut entre autres être utilisée dans les hôtels, écoles, hôpitaux, magasins et bureaux. Elle n'a donc pas été conçue pour l'entretien ménager.

Lorsque vous utilisez un appareil électrique, certaines règles de base doivent toujours être observées, dont celles énoncées ci-après.



Lisez toutes les instructions avant d'utiliser l'appareil.

AVERTISSEMENT !

Afin de réduire les risques d'incendie, de décharge électrique ou de blessure :

- Ne laissez pas l'appareil branché sur le secteur. Débranchez-le lorsque vous ne l'utilisez pas et avant de procéder à son entretien.
- Afin d'éviter tout risque de décharge électrique, n'exposez pas l'appareil à la pluie. Rangez la machine à l'intérieur.
- L'utilisation de cette machine n'est pas destinée aux personnes (notamment les enfants) qui souffrent de capacités physiques, sensorielles ou mentales diminuées, ou d'un manque d'expérience et de connaissances.
- Cet appareil ne doit pas être utilisé comme un jouet. Faites très attention lorsque l'appareil est utilisé à proximité d'enfants.
- Utilisez cet appareil uniquement comme décrit dans le présent manuel. Utilisez uniquement les accessoires recommandés par le fabricant.
- N'utilisez pas l'appareil si le cordon ou la prise sont endommagés. Si l'appareil ne fonctionne pas correctement, est tombé, endommagé, resté à l'extérieur, voire lâché dans l'eau, renvoyez-le au centre d'entretien.
- Ne tirez et ne portez pas l'appareil par le cordon électrique. Ne l'utilisez pas non plus comme poignée et ne l'enroulez pas autour d'objets pointus ou tranchants. Évitez également de refermer une porte sur le cordon. Évitez de faire rouler l'appareil sur le cordon. Le cordon doit rester loin de toute surface chauffée.
- Ne débranchez pas l'appareil en tirant sur le cordon. Pour débrancher la machine, saisissez la prise et non le cordon.
- Ne manipulez pas la prise, le cordon ou l'appareil avec les mains humides.
- N'introduisez aucun objet dans les orifices de l'appareil. N'utilisez pas l'appareil si l'un de ses orifices est bloqué. Conservez à l'abri des poussières, cheveux, peluches, etc., qui risquent de réduire le débit d'air.
- Évitez que des cheveux, doigts ou vêtements amples ne soient entraînés dans les parties mobiles de la machine ou pris dans un de ses orifices.
- N'aspirez aucun objet brûlant ou fumant, tel que des cigarettes, des allumettes, des cendres chaudes, ni aucune poussière nuisible à la santé.
- Placez toutes les commandes en position d'arrêt avant de débrancher l'appareil.
- Faites très attention en nettoyant des escaliers.
- N'utilisez pas la machine pour ramasser des liquides inflammables ou combustibles tels que l'essence ou à proximité de telles substances.
- Si de la mousse ou du liquide s'échappe avec l'air évacué, coupez immédiatement l'interrupteur principal. Vérifiez qu'aucun corps étranger n'empêche le flotteur de bouger librement. Adressez-vous à Clarke si le problème persiste.
- Tout liquide éjecté par la buse peut être dangereux en raison de sa température, de sa pression ou de sa nature chimique.
- Utilisez uniquement les brosses fournies avec l'appareil ou celles spécifiées dans le manuel d'instructions. L'utilisation d'autres brosses peut mettre la sécurité en péril.

CONSERVEZ CES CONSIGNES

INSTRUCTIONS DE MISE À LA TERRE POUR 120 V C.A.

Cet appareil doit être mis à la terre. En cas de mauvais fonctionnement, la mise à la terre établit un trajet de moindre résistance pour le courant électrique afin de réduire le risque de décharge électrique. Cet appareil est équipé d'un cordon doté d'un conducteur de protection et d'une prise de mise à la terre. La prise doit être branchée à une prise murale appropriée, correctement installée et mise à la terre, en accord avec tous les codes et consignes locaux.

⚠ DANGER !

Un conducteur de protection mal branché peut entraîner un risque de décharge électrique. Vérifiez avec un électricien ou un technicien qualifié en cas de doute sur la mise à la terre correcte de la prise. Ne modifiez pas la prise fournie avec l'appareil. Si elle ne peut pas être branchée, faites installer une prise murale appropriée par un électricien qualifié.

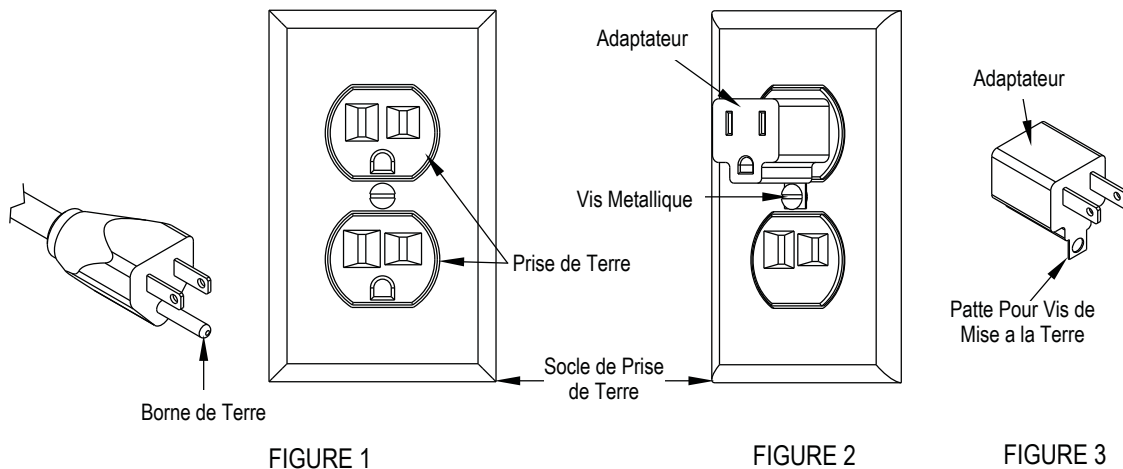
Cet appareil est destiné à être utilisé sur un circuit de 120 volts et possède une prise de mise à la terre comme celle illustrée à la Figure 1. Un adaptateur temporaire illustré sur les Figures 2 et 3 peut être utilisé pour brancher cette dernière à une prise fixe bipolaire, illustrée à la Figure 2, si une prise correctement mise à la terre n'est pas disponible. L'adaptateur temporaire doit être utilisé jusqu'à ce qu'une prise correctement mise à la terre (Figure 1) soit installée par un électricien qualifié. La languette rigide de couleur verte, ou autre dispositif du même genre, de l'adaptateur doit être connectée à une mise à la terre permanente, telle qu'une prise correctement reliée à la terre. Lorsque l'adaptateur est utilisé, il doit être maintenu en position avec une vis métallique. Les adaptateurs de mise à la terre ne sont pas conçus pour une utilisation au Canada.

Remplacez la prise si la broche de mise à la terre est endommagée ou cassée.

Le fil vert (ou vert/jaune) est le fil de terre. Lorsque vous remplacez la prise, ce fil doit être connecté à la broche de mise à la terre uniquement.

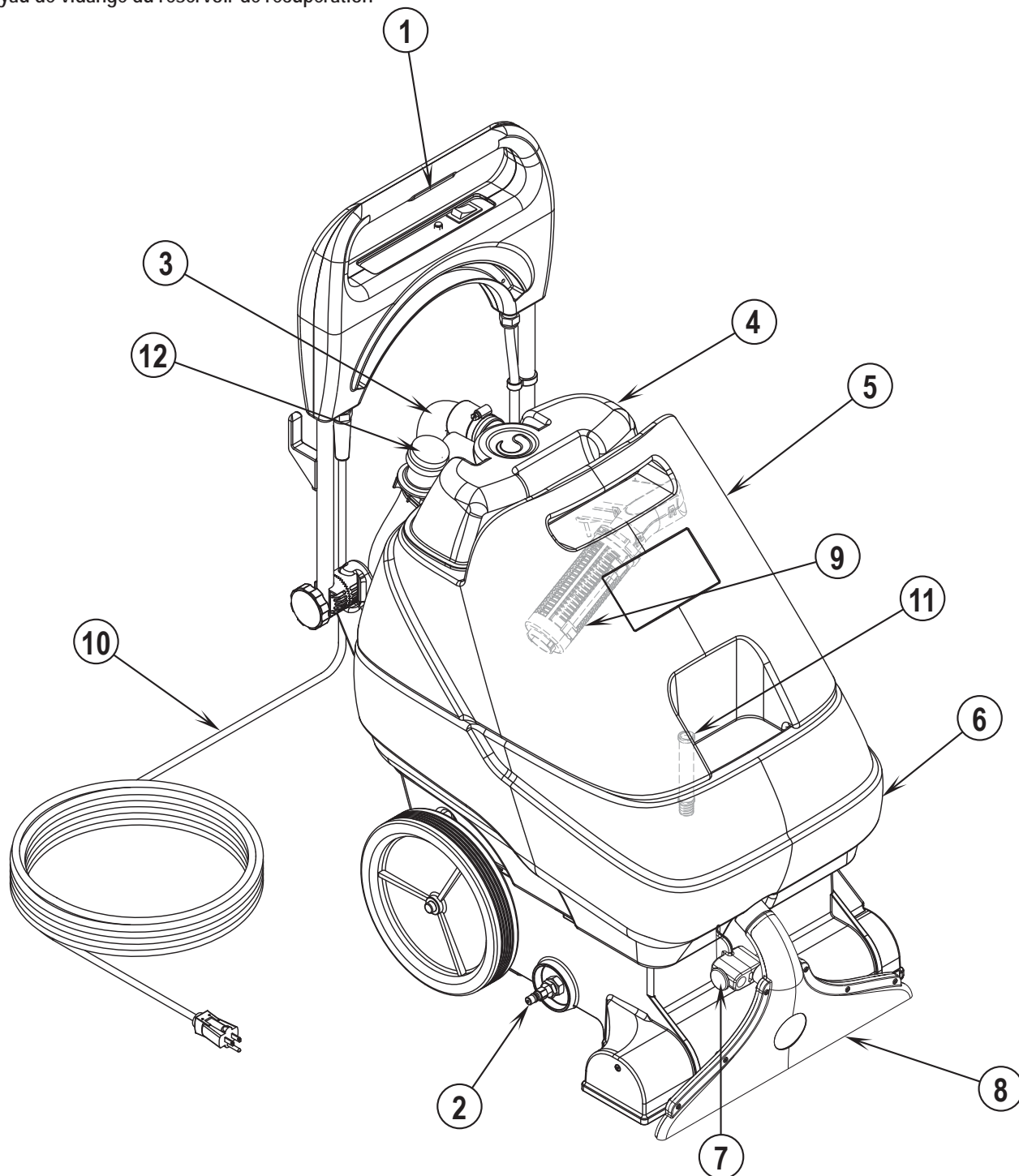
Les cordons prolongateurs branchés à cette machine doivent être des rallonges à trois conducteurs de calibre 12, avec des fiches et des prises à trois broches. N'utilisez PAS des cordons prolongateurs de plus de 15 m.

REMARQUE : UNIQUEMENT POUR L'AMÉRIQUE DU NORD



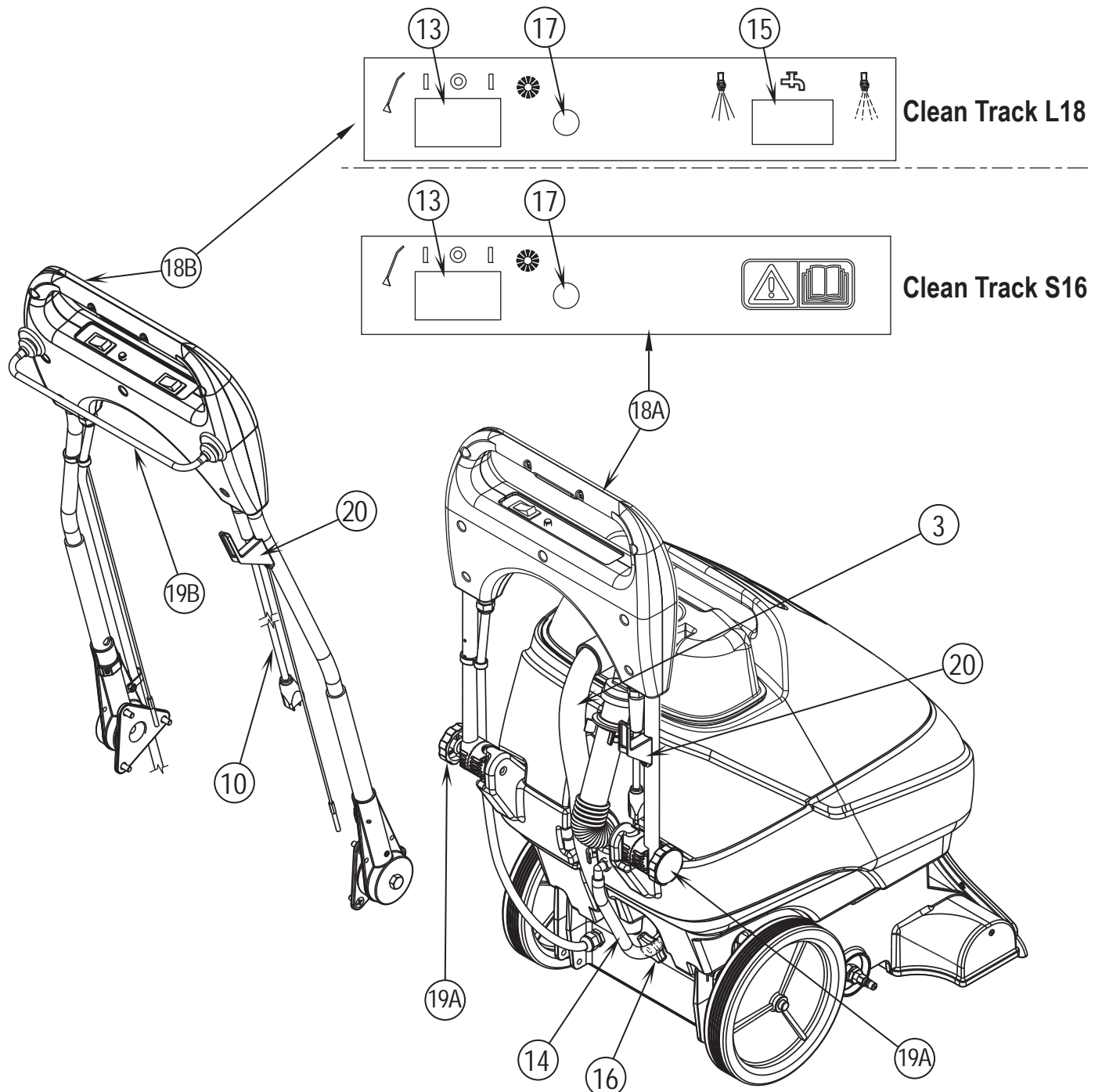
APPRENEZ À CONNAÎTRE VOTRE MACHINE

- 1 Interrupteur de solution
- 2 Orifice de solution accessoire
- 3 Tuyau de récupération
- 4 Capot du réservoir de récupération
- 5 Réservoir de récupération
- 6 Réservoir de solution
- 7 Goupille de déverrouillage de l'embout d'aspiration
- 8 Embout d'aspiration
- 9 Fermeture à flotteur automatique
- 10 Cordon d'alimentation
- 11 Filtre de solution
- 12 Tuyau de vidange du réservoir de récupération



APPRENEZ À CONNAÎTRE VOTRE MACHINE (SUITE)

- 13 Interrupteur d'alimentation et extraction / accessoire
- 14 Voyant de niveau / tuyau de vidange de la solution
- 15 Interrupteur de solution (de constante ou intermittent) (Clean Track L18)
- 16 Bouton de commande de pression de la brosse
- 17 Disjoncteur du moteur des brosses (5A)
- 18A Poignée 16
- 18B Poignée 18
- 19A Boutons de réglage d'angle de la poignée
- 19B Levier de réglage de position de la poignée
- 20 Crochet du cordon



PRÉPARATION DE LA MACHINE À L'UTILISATION

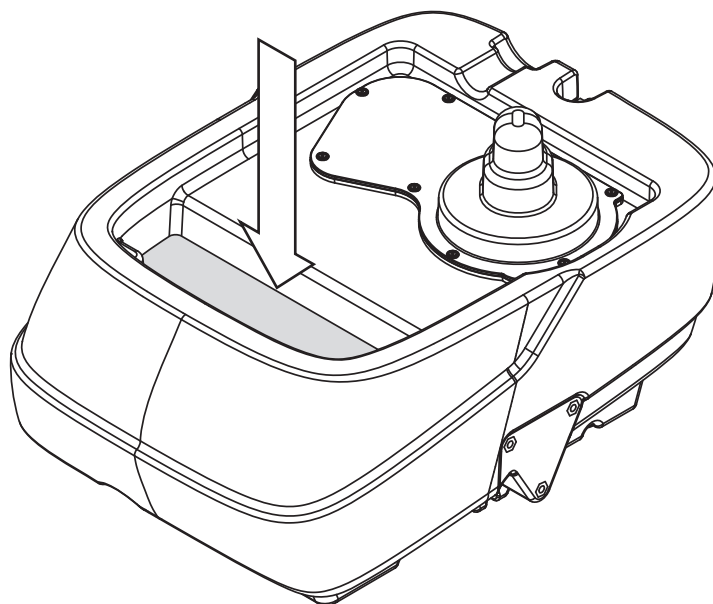
REMPLEISSAGE DU RÉSERVOIR DE SOLUTION

- 1 Tournez l'interrupteur d'alimentation en position d'arrêt (O), puis débranchez la machine.
- 2 Retirez le tuyau de récupération. Soulevez le réservoir de récupération de la machine et déplacez-le sur le côté.
- 3 Lisez les instructions de dilution figurant sur le récipient du produit chimique. Calculez ensuite la quantité appropriée de produit chimique à mélanger par rapport à la capacité en eau du réservoir de solution de votre machine : 26,5 litres pour la machine Clean Track S16 ou 42 litres pour le modèle Clean Track L18.
- 4 Versez le produit chimique dans le réservoir de solution et remplissez-le d'eau chaude (température maximale 54°C). NOTE : veillez à ne pas faire déborder le réservoir de solution. Le point de remplissage maximal correspond au bas de la lèvres de l'ouverture du réservoir. Voir Figure 4.
- 5 Remplacez le réservoir de récupération sur la machine. NOTE : veillez à positionner correctement le réservoir de récupération sur le réservoir de solution.

⚠ ATTENTION !

Utilisez des détergents liquides peu moussants, conçus pour le nettoyage des tapis.

FIGURE 4



AVANT D'UTILISER LE MODÈLE CLEAN TRACK

Aspirez en profondeur le tapis à nettoyer avant d'utiliser l'extracteur automatique Clean Track.

PRÉVAPORISATION DU TAPIS

Pré-vaporisez les taches et les zones de forte circulation avant l'extraction. Utilisez un vaporisateur à main ou pressurisé. Préparez le mélange de pré-vaporisation selon les indications du fabricant de produits chimiques.

PLAN DE NETTOYAGE

Avant de commencer l'extraction, examinez la zone à nettoyer et planifiez votre travail. Divisez l'espace en sections. Les passes doivent se chevaucher de 5 cm.

UTILISATION DE LA MACHINE

- 1 Suivez les instructions de la section *Préparation de la machine à l'utilisation* du présent manuel.
- 2 Desserrez les boutons de réglage de hauteur de la poignée (20A) et réglez la hauteur de la poignée à la position la plus confortable pour l'opérateur. Resserrez les boutons après avoir réglé la hauteur désirée. Ou soulevez le levier de réglage de position de la poignée (20B) pour régler une hauteur confortable.
- 3 Branchez la machine à une prise de courant correctement reliée à terre. Pour démarrer le moteur d'aspiration et le moteur des brosses, tournez l'interrupteur d'alimentation et extraction / accessoire (14) en position d'extraction (I) (symbole de la brosse).
- 4 Appuyez sur le bouton de contrôle de la pression de la brosse (16) afin que la machine ne soit plus en position de rangement.
- 5 Réglez la pression de la brosse. Tournez simplement le bouton de commande de la pression de la brosse (16) dans le sens horaire inverse pour diminuer la pression de la brosse, et dans le sens horaire pour augmenter la pression de la brosse. La machine doit aider, mais ne pas se propulser elle-même (sur le tapis) lorsque la brosse est correctement réglée.
- 6 Appuyez en continu sur l'interrupteur de solution (1) pour distribuer la solution. En relâchant l'interrupteur de solution (1), le flux de solution cesse de s'écouler. Sur le modèle Clean Track L18, doté d'un interrupteur de solution (de constante ou intermittent) (1), la solution est distribuée de deux manières différentes.
 - Quand l'interrupteur de solution (1) du panneau est en position « constante », la solution est distribuée en continu et l'interrupteur de solution (1) est désactivé. Cette position est utilisée principalement quand la machine est utilisée en mode accompagné à haute productivité.
 - Quand l'interrupteur de solution (1) du panneau est en position « intermittente », la solution est distribuée uniquement quand l'interrupteur de solution (1) est enfoncé.
- 7 Procédez au nettoyage en tirant la machine le long d'une ligne droite et en veillant à ce que les passes se chevauchent sur environ 5 cm. Relâchez l'interrupteur de solution (1) afin d'assurer une extraction complète de la solution du tapis.
- 8 Surveillez le fluide entrant dans le capot du réservoir de récupération (4). En présence de mousse excessive dans le réservoir de récupération, ajoutez un agent anti-mousse dans ce réservoir.

⚠ ATTENTION !

Videz le réservoir de récupération avant que le fluide ou la mousse ne parvienne au moteur d'aspiration.

Si la quantité de fluide entrant dans le réservoir de récupération est faible ou inexistante, vérifiez l'indicateur de niveau / tuyau de vidange de solution (15), le réservoir de solution est peut-être vide. Remplissez le réservoir de solution avec de l'eau et la quantité correcte de produit de nettoyage.

- 9 Le réservoir de récupération est équipé d'un système de fermeture à flotteur automatique (9) qui empêche la solution de pénétrer dans le système d'aspiration lorsque le réservoir est plein. Une modification soudaine du bruit du moteur d'aspiration vous permet de savoir quand le flotteur bloque le passage. Lorsque le flotteur ferme le réservoir de récupération, ce dernier doit être vidé. La machine peut continuer à distribuer la solution, mais ne ramassera pas d'eau avec le flotteur fermé.
- 10 Lorsque l'opérateur souhaite arrêter de nettoyer ou lorsque le réservoir de récupération est plein, il doit relâcher l'interrupteur de solution (1). Tournez ensuite l'interrupteur d'alimentation en position d'arrêt (O), puis débranchez la machine.
- 11 Amenez la machine vers un « SITE DE DÉCHARGE » des eaux usées et videz le réservoir de récupération. Pour le vider, tirez le tuyau de vidange du réservoir de récupération (12) de son dispositif de rangement à l'arrière, puis retirez le bouchon (maintenez l'extrémité au-dessus du niveau d'eau du réservoir afin d'éviter tout déversement accidentel d'eaux usées). Remplissez à nouveau le réservoir de solution et poursuivez le nettoyage.

UTILISATION DES ACCESSOIRES

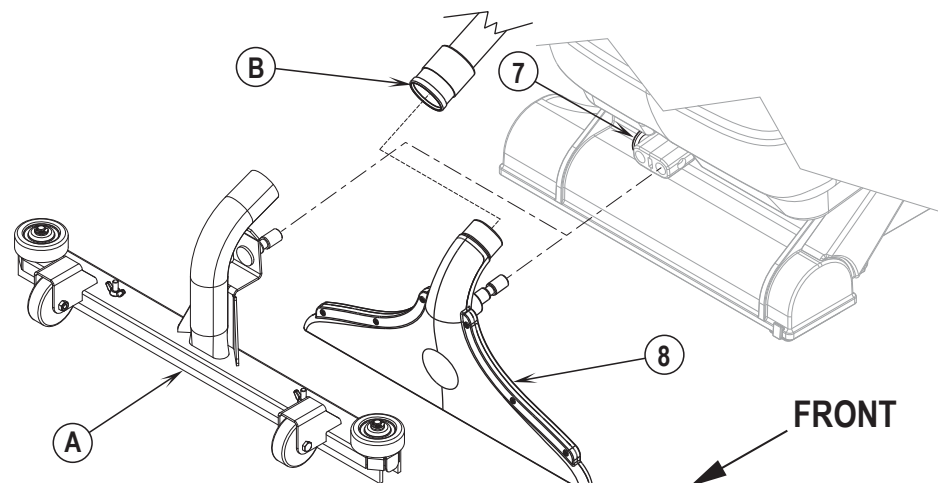
Pour utiliser les accessoires, débranchez le tuyau de récupération du capot du réservoir de récupération (4). Branchez le tuyau de récupération de l'accessoire au capot du réservoir de récupération (4) de la machine. Fixez le tuyau de solution de l'accessoire à l'orifice de solution accessoire (2) de la machine. Lorsque vous utilisez des accessoires, placez l'interrupteur d'extraction/accessoire (14) sur la position Accessoire (symbole de baguette).

Veillez contacter votre revendeur Clarke pour connaître les accessoires pouvant être utilisés avec le modèle *Clean Track*.

KITS SOLS DURS

L'embout d'aspiration peut être enlevé et remplacé par une raclette (A) (en option) pour sols durs. Voir figure 5. L'embout d'aspiration peut s'enlever en tirant la goupille de déverrouillage (7) et en glissant l'embout d'aspiration (8). Ensuite, débranchez le tuyau de récupération (B) de l'embout d'aspiration et branchez-le à la raclette. Montez la raclette sur la machine au même endroit que l'embout d'aspiration : il suffit de tirer la goupille de déverrouillage et de glisser la raclette en place.

FIGURE 5



APRÈS UTILISATION DE LA MACHINE

- 1 Mettez l'interrupteur d'alimentation (14) en position d'arrêt (O). Débranchez le cordon d'alimentation (10). Enroulez le cordon et suspendez-le au crochet.
- 2 Pour vider le réservoir de solution, tirez le tuyau de vidange (15) de son dispositif de rangement. Dirigez le tuyau sur un « SITE D'ÉVACUATION » des eaux usées désigné. Rincez le réservoir à l'eau claire. Vérifiez les tuyaux de solution et remplacez-les s'ils sont endommagés ou présentent une quelconque anomalie.
- 6 Pour vider le réservoir de récupération, tirez le tuyau de vidange (12) de son dispositif de rangement. Dirigez le tuyau de vidange vers un « SITE D'ÉVACUATION » des eaux usées désigné et enlevez le bouchon (maintenez l'extrémité au-dessus du niveau d'eau du réservoir afin d'éviter tout déversement accidentel et incontrôlable des eaux usées). Rincez le réservoir à l'eau claire. Vérifiez les tuyaux de récupération et d'aspiration, et remplacez-les s'ils sont endommagés ou présentent une quelconque anomalie.
- 4 Retirez la brosse, rincez-la à l'eau chaude et enlevez tous les fils, cheveux et fibres de tapis amassés.
- 5 Débranchez le tuyau de récupération (3) du capot du réservoir de récupération (4) et rincez à l'eau chaude pour évacuer tous les débris du tuyau de récupération et de l'embout d'aspiration.
- 6 Essuyez la machine avec un chiffon humide. N'utilisez pas de produits chimiques abrasifs ou de solvants.
- 7 Avant de ranger la machine, effectuez toutes les tâches de maintenance nécessaires.

PROGRAMME DE MAINTENANCE

ÉLÉMENT	Tous les jours	Chaque semaine	Tous les ans
Vérification / nettoyage de la brosse mécanique	•		
Vérification / nettoyage des réservoirs et tuyaux	•		
Vérification / nettoyage du flotteur d'arrêt d'aspiration	•		
Nettoyage de l'embout d'aspiration	•		
Inspection et nettoyage du filtre de solution		•	
*Vérification des balais de carbone			•

* Demandez à un technicien d'entretien Clarke de vérifier les balais de carbone du moteur d'aspiration une fois par an ou toutes les 300 heures de fonctionnement. Les balais de carbone des moteurs de brosses doivent être vérifiés une fois par an ou toutes les 500 heures de fonctionnement.

⚠ IMPORTANT !

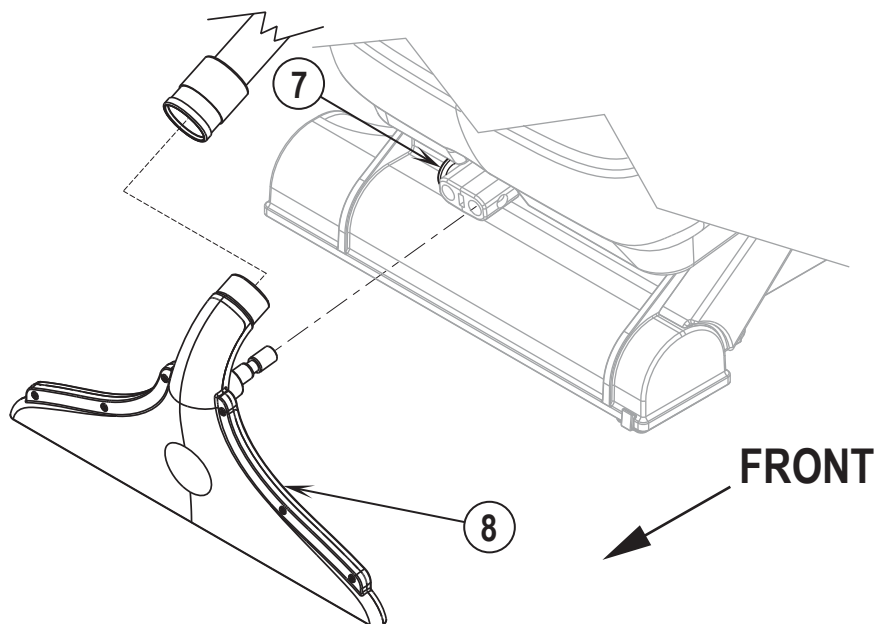
Les dommages occasionnés au moteur suite à un manque d'entretien des balais de carbone ne sont pas couverts par la garantie. Consultez la Déclaration de responsabilité limitée.

- 8 Rangez la machine à l'intérieur, dans un endroit sec et propre, le capot du réservoir ouvert. Maintenez-la à l'abri du gel.
- 9 Mettez la machine en position de stockage. Faites basculer la machine en arrière afin de décoller l'embout d'aspiration du sol, puis appuyez sur le bouton de commande de pression de la brosse (17) en le poussant vers le haut, jusqu'à ce que le bouton se verrouille en place.

MAINTENANCE DE L'EMBOUT D'ASPIRATION

Vérifiez l'embout d'aspiration chaque jour. Enlevez tous les fils, cheveux et fibres de tapis accumulés. Voir figure 6. L'embout d'aspiration peut s'enlever en tirant la goupille de déverrouillage (7) et en glissant l'embout d'aspiration (8). Débranchez ensuite le tuyau de récupération de l'embout.

FIGURE 6



MAINTENANCE DU FILTRE DE SOLUTION

Une fois par semaine (ou plus souvent si nécessaire), nettoyez le filtre de solution (11). Videz les réservoirs de solution et de récupération. Soulevez le réservoir de récupération de la machine et déplacez-le sur le côté. A l'intérieur du réservoir de solution, retirez le filtre de solution.

MAINTENANCE DU CORDON ÉLECTRIQUE

Une fois par semaine (ou plus souvent si nécessaire), vérifiez le cordon d'alimentation : la gaine ne présente aucune craquelure ou autre dommage ; aucun fil n'est dénudé dans le cordon ou la fiche ; les broches ne sont pas endommagées et la broche de mise à la terre est présente. Réparez ou remplacez immédiatement le cordon ou la prise s'ils sont endommagés.

RÉGLAGE DE LA PRESSIION DE LA BROSSE

Faites simplement tourner le bouton de commande de la pression de la brosse (17) dans le sens horaire pour augmenter la pression de la brosse, dans le sens horaire inverse pour diminuer la pression de la brosse.

MAINTENANCE DE LA BROSSE MÉCANIQUE

Vérifiez la brosse chaque jour. Enlevez tous les fils, cheveux et fibres de tapis accumulés. Lorsque vous n'utilisez pas la machine, mettez-la en position de stockage. Cela empêchera la brosse de s'abîmer et augmentera la durée de vie de la brosse tout en conservant son efficacité.

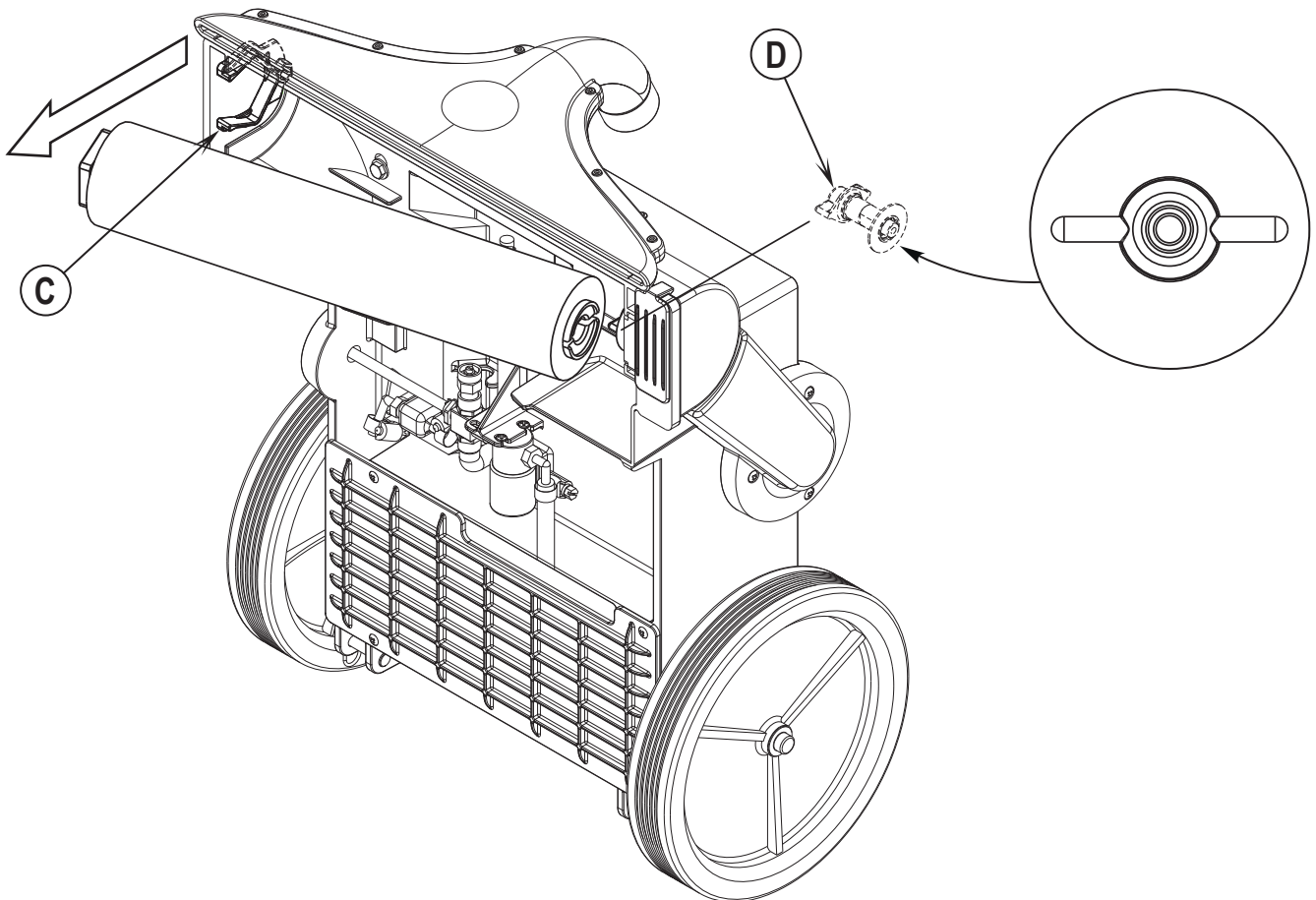
DÉMONTAGE DE LA BROSSE

⚠ ATTENTION !

Tournez l'interrupteur d'alimentation en position d'arrêt (O) avant de changer les brosses.

- 1 Videz les réservoirs de récupération et de solution. Soulevez le réservoir de récupération de la machine et déplacez-le sur le côté.
- 2 Placez la poignée (19) en position de rangement droite et basculez la machine sur sa face arrière.
- 3 Voir Figure 7. Faites tourner la brosse de sorte que la patte d'attache (D) se trouve dans une position où ses ergots sont parallèles au sol.
- 4 Saisissez la brosse par l'extrémité engagée dans la pince de fixation (C) et tirez fermement pour dégager la brosse.
- 5 Montez la brosse neuve en insérant d'abord l'extrémité dans la patte d'attache, puis l'autre extrémité de la brosse jusqu'à l'engager dans la pince de fixation.

FIGURE 7



DÉPANNAGE

Si les causes énumérées ci-dessous ne sont pas à l'origine du problème, vous êtes confronté à une panne plus sérieuse. Contactez immédiatement le service d'assistance de Clarke.

DÉCLENCHÉMENT DU DISJONCTEUR

Le disjoncteur (18) se trouve sur le panneau de commande ; il protège le circuit électrique et le moteur de la brosse contre les dommages provoqués par des conditions de surcharge. Si le disjoncteur se déclenche, essayez d'en déterminer la cause.

Disjoncteur de la brosse (5 A). Causes probables :

- 1 Des débris sont enroulés autour de l'entraînement de la brosse (enlevez les débris)
- 2 Réglage de la brosse trop bas (procédez au réglage correct de la pression de la brosse)
- 3 Court-circuit électrique (appelez le Centre de service de Clarke ou un technicien qualifié pour qu'il vérifie la machine).

Une fois le problème résolu, appuyez sur le bouton pour réenclencher le disjoncteur. Si le bouton ne reste pas enclenché, attendez 5 minutes, puis essayez à nouveau. Si le disjoncteur se déclenche plusieurs fois de suite, contactez le Centre de service de Clarke.

MAUVAISE RÉCUPÉRATION DE L'EAU

Causes probables :

- 1 Le réservoir de récupération est plein (videz le réservoir de récupération)
- 2 Ouvrez le tuyau de vidange du réservoir de récupération (vérifiez ou remplacez le bouchon du tuyau de vidange)
- 3 Le tuyau de récupération n'est pas branché à l'embout d'aspiration (branchez le tuyau à l'embout de l'aspiration)
- 4 Le tuyau de récupération est tordu ou endommagé (remplacez le tuyau)
- 5 Fuite au niveau du joint du couvercle du réservoir de récupération (remplacez le joint)
- 6 Des débris sont coincés dans l'embout d'aspiration ou le tuyau de récupération (nettoyez l'embout d'aspiration et le tuyau de récupération)

FLUX DE SOLUTION INADÉQUAT

Causes probables :

- 1 Le réservoir de solution est vide (remplissez le réservoir de solution)
- 2 Les conduites ou le filtre de solution sont encrassés (rincez les conduites et le filtre)

SPÉCIFICATIONS TECHNIQUES (unite telle qu'installée et testée)

Modèle		Clean Track® S16	Clean Track® L18
N° de modèle		56382723	56382724
Tension/fréquence	V/Hz	120 / 50-60	120 / 50-60
Courant nominal	A	13,3	14
Classe de protection (électrique)		$\underline{\underline{\text{I}}}$	$\underline{\underline{\text{I}}}$
Niveau de pression sonore (IEC 60704-2-1)	dB(A)/20 μ Pa	73,1dB LpA, 3dB KpA	73,1dB LpA, 3dB KpA
Poids total	livres/kg	99 / 45	203 / 92
Vibrations au niveau des commandes manuelles (ISO 5349-1)	m/s ²	0,72m/s ²	0,72m/s ²
Capacité du réservoir de solution		26,50 l (26,5l)	41,64 l (41,5l)
Capacité du réservoir de récupération		18,93 l (19l)	30,28 l (30l)

Clarke®

14600 21st Avenue North
Plymouth, MN 55447-3408

www.clarkeus.com

Phone: 800-253-0367

Fax: 800-825-2753

©2015 Nilfisk-Advance, Inc.

A Nilfisk-Advance Brand