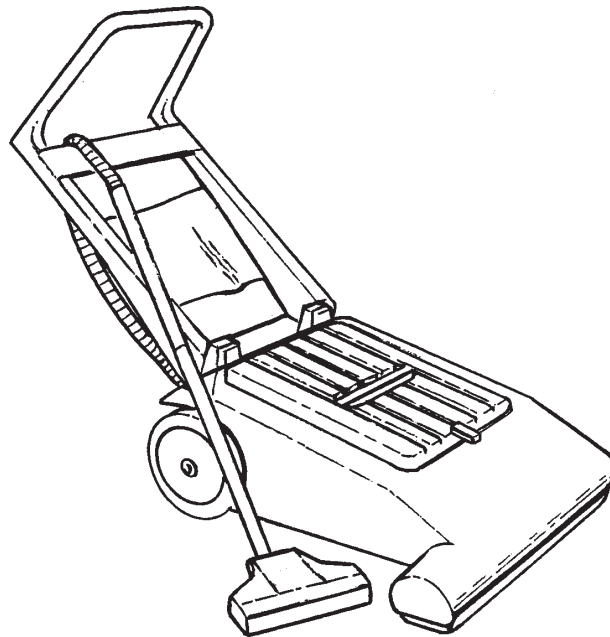

Clarke®

Carpet Master 30 Wide Area Vacuum



Operator's Manual Manuel d'utilisation Libro de Instrucciones



READ THIS BOOK
LEA ESTE MANUAL
LISEZ CE MANUEL

EN English (2 - 7)
ES Español (8 - 13)
FR Français (14 - 19)

This book has important information for the use and safe operation of this machine. Failure to read this book prior to operating or attempting any service or maintenance procedure to your Clarke machine could result in injury to you or to other personnel; damage to the machine or to other property could occur as well. You must have training in the operation of this machine before using it. If your operator(s) cannot read this manual, have it explained fully before attempting to operate this machine.

All directions given in this book are as seen from the operator's position at the rear of the machine.

For new books write to: Clarke®, 2100 Highway 265, Springdale, Arkansas 72764.

Table of Contents

Operator Safety Instructions	3
Grounding Instructions	4
Operating Procedures	5
Maintenance	6
Final Assembly Drawing and Parts List	22
Hose & Accessories Drawing and Parts List	23
Switch Assembly Drawing and Parts List	24
Wheel Assembly Drawing and Parts List	24
Cover Assembly Drawing and Parts List	25
Handle & Exhaust Filter Components Drawing and Parts List	26
Brush Adjustment a& Foot Pedal Drawing and Parts List	27
Brush Assembly Drawing and Parts List	28
Vacuum Motor and Filters Drawing and Parts List	29
Electrical Schematic	30

THIS MACHINE IS INTENDED FOR COMMERCIAL USE.

OPERATOR SAFETY INSTRUCTIONS


DANGER:

Failure to read and observe all DANGER statements could result in severe bodily injury or death. Read and observe all DANGER statements found in your Owner's Manual and on your machine.


WARNING:

Failure to read and observe all WARNING statements could result in injury to you or to other personnel; property damage could occur as well. Read and observe all WARNING statements found in your Owner's Manual and on your machine.


CAUTION:

Failure to read and observe all CAUTION statements could result in damage to the machine or to other property. Read and observe all CAUTION statements found in our Owner's Manual and on your machine.

READ AND UNDERSTAND ALL WARNINGS AND INSTRUCTIONS IN THIS BOOK BEFORE USING THIS MACHINE!


DANGER:

Failure to read the Owner's Manual prior to operating or attempting any service or maintenance procedure to your machine could result in injury to you or to other personnel; damage to the machine or to other property could occur as well. You must have training in the operation of this machine before using it. If your operator(s) cannot read English, have this manual explained fully before attempting to operate this machine.


DANGER:

Electrocution or fire could occur if the machine is used on a power circuit that repeatedly trips or is undersized. Have a licensed electrician check the fuse, circuit breaker or power supply, and/or contact your local Clarke distributor for assistance.


WARNING:

To reduce the risk of fire, electric shock, or injury:

1. DO NOT USE THIS VACUUM FOR PICK UP OF WET DEBRIS.
2. Do not use outdoors or on wet surfaces.
3. Do not allow to be used as a toy. Close attention is necessary when used by or near children.
4. Do not use this machine as a step or furniture. Injury could occur to the operator.
5. Do not operate this machine unless it is completely assembled. The dust bag and/or filters must be in place. Use only manufacturer's attachments.
6. Keep the machine and its electrical components dry. Do not subject to rain. Store the machine in a dry building area. Clean the machine with a dry cloth only.
7. Machines can cause an explosion when near flammable materials and vapors. Do not use or store this machine with or near fuels, grain dust, solvents, thinners, or other flammable materials. Do not use flammables to clean this machine.
8. Do not pick up anything that is burning or smoking, such as cigarettes, matches or hot ashes.
9. Maintenance and repairs must be done by a qualified or authorized service center.
10. If the machine is not working as it should, has been dropped, damaged, left outdoors, or dropped into water, return it to a service center.
11. Connect to a properly grounded outlet only (See Grounding Instructions).
12. To prevent electric shock, always remove the electrical plug from the electrical outlet before doing any repairs or maintenance and when leaving the machine unattended. Do not handle plug or vacuum with wet hands.
13. Do not pull cord, use cord as a handle, close door on cord, or pull cord around sharp edges or corners. Keep cord away from heated surfaces. Do not use with damaged cord or plug.
14. Turn off all controls before unplugging.
15. Do not put objects into openings. Do not use with any opening blocked: keep free of dust, lint, hair and anything that may reduce airflow.
16. Keep hair, loose clothing, fingers and all parts of the body away from openings and moving parts.
17. Make sure all labels, decals, warnings, cautions and instructions are fastened to the machine.

GROUNDING INSTRUCTIONS

This machine must be grounded. If it should malfunction or break down, grounding provides a path of least resistance for electric current to reduce the risk of electric shock. This machine is equipped with a cord having an equipment-grounding conductor and grounding plug. The plug must be inserted into an appropriate outlet that is properly installed and grounded in accordance with all local codes and ordinances.

⚠ WARNING: Improper connection of the equipment-grounding conductor can result in a risk of electric shock. Check with a qualified electrician or service person if you are in doubt as to whether the outlet is properly grounded. Do not modify the plug provided with the machine. If it will not fit the outlet, have a proper outlet installed by a qualified electrician.

This machine is for use on a nominal 120-volt circuit, and has a grounded plug that looks like the plug illustrated in figure A. **Make sure you have the correct voltage and frequency before connecting the power cord to an outlet.** A temporary adapter that looks like the adapter illustrated in figures B and C may be used to connect this plug to a 2-pole receptacle as shown in figure B if a properly outlet is not available. The temporary adapter should be used only until a properly grounded outlet (figure A) can be installed by a qualified electrician. The green colored rigid car, lug, or the like extending from the adapter must be connected to a permanent ground such as a properly grounded outlet box cover. Whenever the adapter is used, it must be held in place by a metal screw.

NOTE: In Canada, the use of a temporary adapter is not permitted the Canadian Electrical Code.

⚠ WARNING: To prevent possible electric shock, protect the machine from rain. Keep the machine in a dry building.

⚠ WARNING: For maximum protection against electrical shock, use a circuit that is protected by a ground fault circuit interrupter. Consult your electrical contractor.

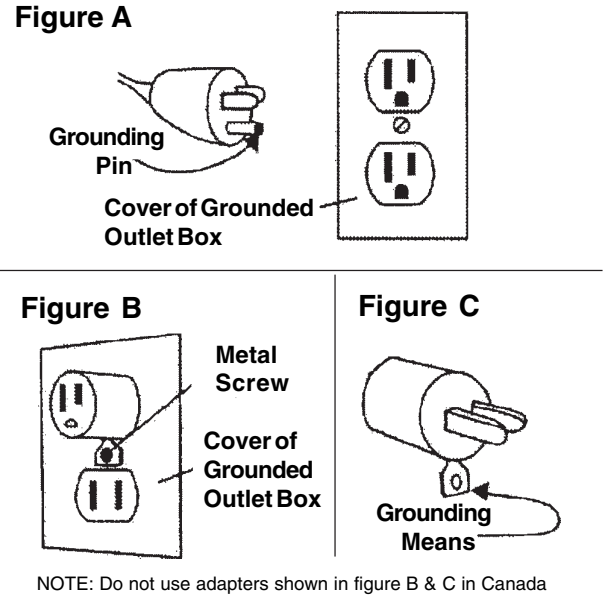
⚠ WARNING: Have worn, cut or damaged cords replaced by an authorized service person.

EXTENSION CORDS

Use only three-wire 14/3 AWG (AWG means American Wire Gauge) or larger gauge approved extension cords that have three-prong grounding type plugs and three-pole receptacles that accept the appliance's plug. Replace or repair any damaged cords or plugs. When servicing, refer to authorized person only. Use only identical replacement parts.

⚠ WARNING: If you use an extension cord, use an extension cord with minimum wire size 14 AWG. Do not use an extension cord longer than 50 feet. Do not join two extension cords.

⚠ WARNING: Do not move the machine over an electrical cord. Always lift the cord over the machine.



OPERATING PROCEDURES

⚠ DANGER: Failure to read the Owner's Manual prior to operating or attempting any service or maintenance procedure to your machine could result in injury to you or to other personnel; damage to the machine or to other property could occur as well. You must have training in the operation of this machine before using it. If your operator(s) cannot read English, have this manual explained fully before attempting to operate this machine.

⚠ WARNING: Machines can cause an explosion when near flammable materials and vapors. Do not use or store this machine with or near fuels, grain dust, solvents, thinners, or other flammable materials. Do not use flammables to clean this machine.

⚠ WARNING: To reduce the risk of fire, electric shock, or injury, do not pick up anything that is burning or smoking, such as cigarettes, matches or hot ashes.

PREPARING THE MACHINE FOR OPERATION:

To prepare the machine for operation, make sure it is of correct voltage and properly assembled. If in doubt, ask your supervisor.

1. If the vacuum is in its upright position (figure 1), raise the handle while supporting the vacuum, then slowly lower the vacuum to the floor.
2. Properly install the filter bag in the vacuum.
 - a. Lift the cover from the machine.
 - b. The filter bag inlet is designed with a rubber gasket that fits securely over the bag adapter (figure 2) in the cover. Push the filter bag inlet over the adapter on the cover. Then from the outside of the cover, reach inside the adapter and push the gasket on the rest of the way.
 - c. Replace the filter bag when full.

MACHINE OPERATION:

1. Plug the machine's power cable into a properly grounded outlet (see Grounding Instructions).
2. The foot pedal should be raised to the "Brush" position (figure 3, A) for wide area vacuuming.
3. Adjust the brush height with the lever located on the rear of the machine near the floor (figure 3, B).
4. Turn the vacuum switch "ON" (rocker switch on operator's right, figure 4, A).
5. Turn the brush switch "ON" (rocker switch on operator's left, figure 4, B).

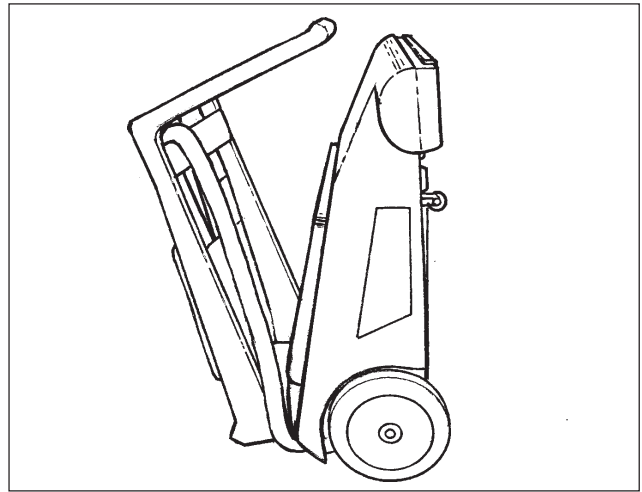


Figure 1

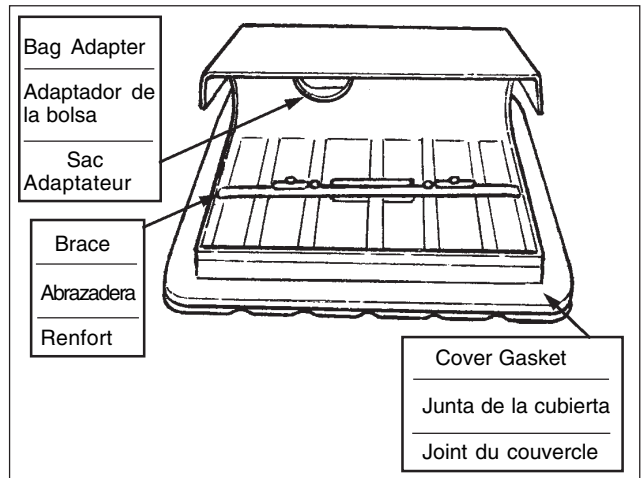


Figure 2

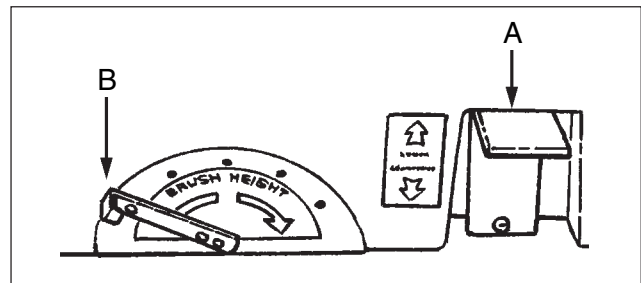


Figure 3

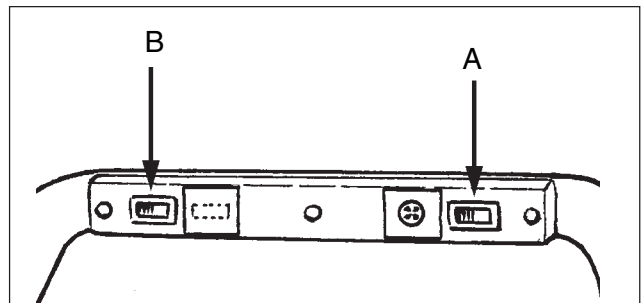


Figure 4

OPERATING PROCEDURES cont.

OPERATION WITH TOOLS:

Three on-board tools are available for the vacuum: the dusting tool, crevice tool and turbo tool (figure 5). Twenty (20) feet of hose is provided, which allows access to rooms without moving the machine.

1. The brush and vacuum switches should be turned "OFF".
2. Depress the foot pedal to the "ACCESSORY" position.
3. Remove the rigid portion of the accessory hose from its storage area in the handle and attach the tool of choice.
4. Turn the vacuum switch "ON" and begin cleaning.

NOTE: The vacuum switch should be OFF when switching the foot pedal between the accessory and the brush position.

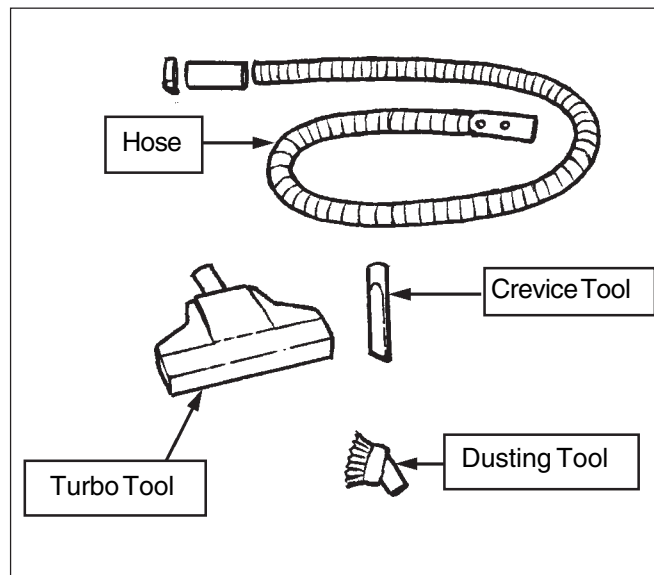


Figure 5

MAINTENANCE

WARNING: To prevent electric shock, ALWAYS turn the brush and vacuum motor switches OFF and UNPLUG the power cord from the electrical outlet before doing any clean-up or repairs, and when the machine is left unattended. Do not handle plug or vacuum with wet hands.

AFTER EACH USE:

1. **Vacuum filter bag:** If the bag is full or damaged, install a new one.

Filter Bag, 10 Pack - 53456A
Cloth Bag (optional) - 53457A

2. **Power cord and plug:** Check for cuts or nicks; if damaged, have the cord replaced at a factory authorized service center.
3. **Casters and Wheels:** Remove any strings or debris that may restrict the free movement of the casters.
4. **Tools:** Inspect the tools to ensure there is no obstruction of airflow. Remove any debris found.
5. **Brush:** Remove any strings or debris. Replace if becomes worn or damaged.
6. **Storage:** The handle may be folded down and the machine stored upright (figure 6) to reduce storage space requirements. Store the machine in a clean dry area.

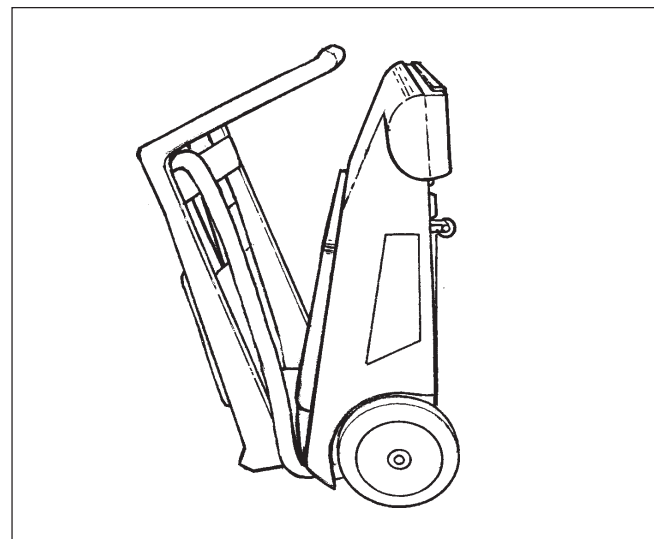


Figure 6

MAINTENANCE**WEEKLY:**

1. **Inspect and clean the two vacuum inlet filters.** Remove the cover for the machine. The filters are now accessible (figure 7). They are constructed of foam attached to plastic mounting rings. Slide the filters off and clean by shaking or vacuuming. Replace if there are any rips, tears or can't be cleaned.
2. **Inspect and clean the exhaust filter.** It is located under the handle on the top of the machine (figure 8). Remove the filter and clean by shaking, vacuuming or washing with water. Replace if there are any rips, tears or if it can't be cleaned.

VACUUM MOTOR MAINTENANCE:

Have the vacuum motor inspected annually by a factory authorized service technician. If the carbon brushes are worn, they should be replaced. This service will prolong the life of the motor.

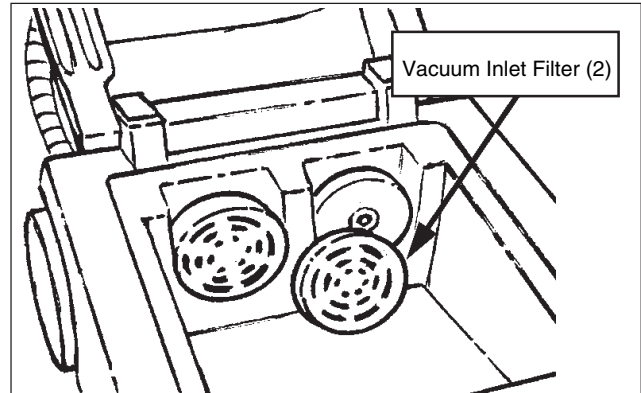


Figure 7

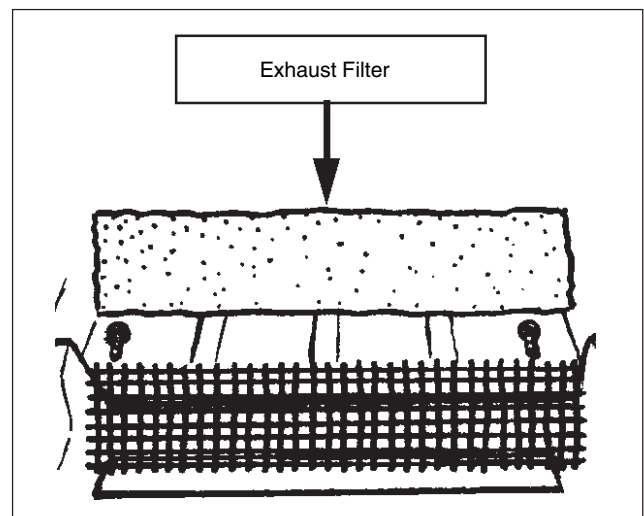


Figure 8

Clarke®
Carpet Master 30
Aspiradora para áreas amplias

LEA ESTE MANUAL

Este manual contiene información importante para el uso y la seguridad de la máquina. Si no lee el manual antes de utilizar o intentar reparar o realizar el mantenimiento a su máquina Clarke, usted o el resto del personal podría sufrir lesiones; asimismo, podrían producirse daños a la máquina o a otras propiedades. Antes de utilizar la máquina, usted debe haber recibido capacitación adecuada en la operación de la misma. Si el operador de la máquina no sabe leer inglés, explíquelo el manual exhaustivamente antes de que intente poner la máquina en funcionamiento.

Todas las indicaciones incluidas en este manual se ofrecen desde la posición del operador en la parte posterior de la máquina.




Si desea conseguir nuevos manuales, escriba a: Clarke®, 2100 Highway 265, Springdale, Arkansas 72764.

INDICE




Instrucciones de seguridad para el operador	9
Instrucciones para la conexión a tierra	10
Procedimientos operativos	11
Mantenimiento	12
Plano de montaje final y lista de piezas	22
Plano de mangueras, de accesorios y lista de piezas	23
Plano de montaje de los interruptores y lista de piezas	24
Plano de montaje de las ruedas y lista de piezas	24
Plano de montaje de la cubierta y lista de piezas	25
Plano de la manija, de los componentes del filtro del escape y lista de piezas	26
Plano del pedal, del ajuste del cepillo y lista de piezas	27
Plano de montaje de los cepillos y lista de piezas	28
Plano del motor de vacío, de los filtros y lista de piezas	29
Esquemas eléctricos	30

ESTA MÁQUINA ESTÁ DISEÑADA PARA USO COMERCIAL.

INSTRUCCIONES DE SEGURIDAD PARA EL OPERADOR

-  **PELIGRO:** Si no se leen y cumplen todas las instrucciones que aparecen bajo el encabezado PELIGRO, el resultado pueden ser lesiones personales graves e incluso la muerte. Lea y respete todas las indicaciones de PELIGRO que se encuentran en el manual de instrucciones y en la máquina.
-  **ADVERTENCIA:** Si no se leen y cumplen todas las instrucciones que aparecen bajo el encabezado ADVERTENCIA, usted o el resto del personal pueden sufrir lesiones; también pueden producirse daños a la propiedad. Lea y respete todas las indicaciones de ADVERTENCIA que se encuentran en el manual de instrucciones y en la máquina.
-  **PRECAUCIÓN:** Si no se leen y respetan todas las instrucciones que aparecen bajo el encabezado PRECAUCIÓN, pueden producirse daños en la máquina y en otras propiedades. Lea y respete todas las indicaciones de PRECAUCIÓN que se encuentran en el manual de instrucciones y en la máquina.

LEA Y COMPRENDA TODAS LAS ADVERTENCIAS E INSTRUCCIONES QUE APARECEN EN ESTE MANUAL ANTES DE USAR ESTA MÁQUINA

-  **PELIGRO:** Si no lee el manual de instrucciones antes de utilizar, intentar reparar, o realizar mantenimiento a su máquina, el resultado puede ser que usted o el resto del personal sufra lesiones; igualmente, pueden producirse daños a la máquina o a otras propiedades. Antes de utilizar la máquina, usted debe haber recibido capacitación adecuada en la operación de la misma. Si el operador de la máquina no sabe leer inglés, explíquele el manual exhaustivamente antes de que intente utilizarla.
-  **PELIGRO:** si la máquina se utiliza en un circuito eléctrico que se dispara repetidamente o con menor potencia de lo necesario, puede producirse una electrocución o un incendio. Haga que un electricista matriculado verifique el fusible, el disyuntor o la fuente de alimentación, o póngase en contacto con su distribuidor local de Clarke para solicitar asistencia.
-  **ADVERTENCIA:** Para reducir el riesgo de incendio, descargas eléctricas o lesiones:
 1. NO UTILICE ESTA ASPIRADORA PARA RECOGER RESIDUOS LÍQUIDOS.
 2. No utilice en exteriores ni sobre superficies húmedas.
 3. No permita que se utilice como un juguete. Hay que prestar mucha atención si la máquina es utilizada por niños o se usa cerca de ellos.
 4. No utilice esta máquina como escalera ni como mueble. El operador podría resultar lesionado.
 5. No haga funcionar la máquina si no está completamente ensamblada. La bolsa de polvo y los filtros deben estar correctamente colocados en su lugar. Use únicamente accesorios recomendados por el fabricante.
 6. Mantenga la máquina y sus componentes eléctricos secos. No exponga a la lluvia. Guarde la máquina en un lugar bajo techo y seco. Limpie la máquina utilizando únicamente un paño seco.
 7. Las máquinas pueden causar una explosión si se sitúan cerca de materiales y vapores inflamables. No utilice la máquina ni la guarde junto a combustibles, polvo de cereales, solventes, diluyentes u otros materiales inflamables. No utilice productos inflamables para la limpieza de la máquina.
 8. No recoja nada que esté ardiendo o humeando, como cigarrillos, cerillas o cenizas calientes.
 9. El mantenimiento y las reparaciones deben ser realizadas por un centro de servicio calificado o autorizado.
 10. Si la máquina no funciona correctamente, se ha caído, ha sufrido daños, ha sido dejada a la intemperie, o se ha caído al agua, llévela a un centro de servicio.
 11. Conecte únicamente a una toma de corriente adecuadamente puesta a tierra (consulte las instrucciones para la conexión a tierra).
 12. Para evitar descargas eléctricas, retire siempre el enchufe eléctrico de la toma de corriente antes de realizar reparaciones o tareas de mantenimiento y siempre que deje la máquina sin vigilancia. No manipule el enchufe ni la aspiradora con las manos húmedas.
 13. No tire del cable, no lo utilice como si fuese una manija, no cierre la puerta sobre él, ni lo doble alrededor de esquinas o bordes cortantes. Mantenga el cable lejos de superficies calientes. No utilice la máquina si el cable o el enchufe están dañados.
 14. Apague todos los controles antes de desenchufar.
 15. No introduzca objetos en las aberturas. No utilice si alguna de las aberturas está bloqueada: manténgalas libre de polvo, pelusa, cabellos o cualquier otro material que pueda reducir el flujo de aire.
 16. Mantenga el cabello, la vestimenta floja, los dedos y el resto del cuerpo lejos de aberturas y partes móviles.
 17. Asegúrese que todas las etiquetas, calcomanías, advertencias, precauciones e instrucciones estén adheridas a la máquina.

INSTRUCCIONES DE CONEXIÓN A TIERRA

Esta máquina debe estar conectada a tierra. Si funcionase mal o sufriese una avería, la conexión a tierra brinda una ruta de menor resistencia para la corriente eléctrica, con lo que se reduce el riesgo de descargas eléctricas. Esta máquina está equipada con un cable que cuenta con un conductor para conexión a tierra del equipo y con un enchufe de conexión a tierra. El enchufe debe insertarse en una toma de corriente adecuada, que esté correctamente instalada y conectada a tierra según todos los códigos y regulaciones locales.

⚠ ADVERTENCIA: Una mala conexión del conductor de la toma de tierra del equipo puede resultar en un riesgo de descarga eléctrica. Consulte con un electricista acreditado o con el personal del servicio técnico en caso de tener dudas respecto a la conexión a tierra. No modifique el enchufe que se suministra con la máquina. Si no es adecuado para la toma de corriente, haga que un electricista acreditado le instale una toma de corriente adecuada.

Esta máquina debe utilizarse en un circuito con 120 voltios de tensión nominal, y cuenta con un enchufe con conexión a tierra que es similar al enchufe que se muestra en la figura A. **Asegúrese de contar con la tensión y frecuencia correctas antes de conectar el cable de alimentación a una toma de corriente.** Puede utilizarse un adaptador temporal parecido al que se muestra en las figuras B y C para conectar este enchufe a un receptáculo de 2 polos, tal y como se ve en la figura B, si no dispone de una toma de corriente adecuada. El adaptador temporal debe usarse sólo hasta que un electricista acreditado pueda instalar una toma de corriente debidamente conectada a tierra. El carro rígido de color verde, lengüeta, o accesorio similar que sale del adaptador debe ser conectado a una toma de tierra permanente, como por ejemplo la cubierta de la caja de una toma de corriente adecuadamente conectada a tierra. Siempre que se utilice el adaptador, hay que mantenerlo fijo en su lugar mediante un tornillo metálico.

NOTA: en Canadá, el uso de adaptadores temporales no está permitido de acuerdo con el Canadian Electrical Code (Código de Electricidad Canadiense).

⚠ ADVERTENCIA: Para evitar una posible descarga eléctrica, proteja la máquina de la lluvia. Guarde la máquina en un lugar cubierto y seco.

⚠ ADVERTENCIA: Para lograr la máxima protección contra las descargas eléctricas, utilice un circuito que esté protegido por un interruptor de circuito de fuga a tierra. Consulte con su electricista.

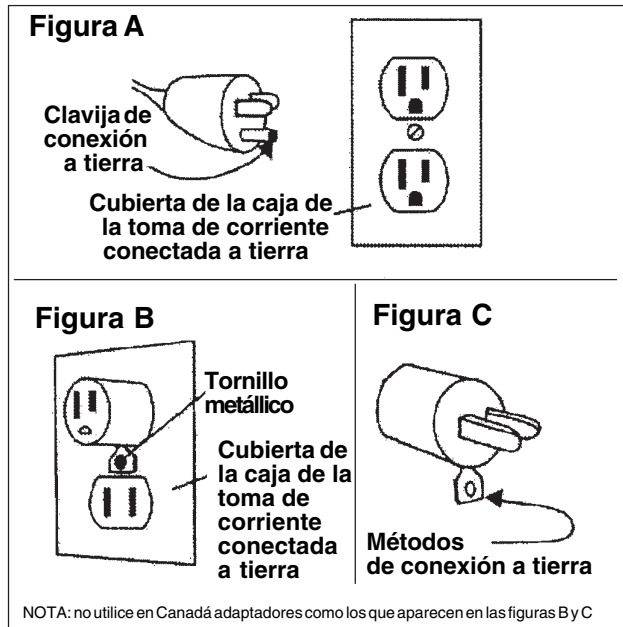
⚠ ADVERTENCIA: Haga que el personal del servicio autorizado cambie los cables de alimentación desgastados, cortados o dañados.

CABLES DE EXTENSIÓN

Utilice únicamente cables de extensión aprobados de tres hilos y calibre 14/3 AWG (AWG significa "calibre de cable americano") o superior, que cuenten con enchufes tipo conexión a tierra con tres puntas y receptáculos con tres polos que acepten el enchufe del aparato eléctrico. Cambie o repare cualquier cable y enchufe que se haya dañado. Cuando necesite una reparación, acuda únicamente a personal autorizado. Utilice únicamente piezas de recambio idénticas.

⚠ ADVERTENCIA: Si utiliza un cable de extensión, utilice uno con un calibre mínimo de 14 AWG. No utilice cables de extensión con una longitud superior a los 15,2 metros (50 pies). No use dos cables de extensión.

⚠ ADVERTENCIA: No mueva la máquina sobre un cable de alimentación. Pase siempre el cable por encima de la máquina.



PROCEDIMIENTOS OPERATIVOS

⚠ PELIGRO: Si no lee el manual de instrucciones antes de operar, intentar reparar, o realizar mantenimiento a su máquina, el resultado puede ser que usted o el resto del personal sufra lesiones. Asimismo, pueden producirse daños a la máquina o a otras propiedades. Antes de utilizar la máquina, usted debe haber recibido capacitación adecuada en la operación de la misma. Si el operador de la máquina no sabe leer inglés, explíquelo el manual exhaustivamente antes de que intente utilizarla.

⚠ ADVERTENCIA: Las máquinas pueden provocar una explosión si se sitúan cerca de materiales y vapores inflamables. No utilice la máquina ni la guarde junto a combustibles, polvo de cereales, solventes, diluyentes u otros materiales inflamables. No utilice productos inflamables para la limpieza de la máquina.

⚠ ADVERTENCIA: Para reducir el riesgo de incendios, descargas eléctricas o lesiones, no recoja nada que esté ardiendo o humeando, como cigarrillos, cerillas o cenizas calientes.

PREPARACIÓN DE LA MÁQUINA PARA SU FUNCIONAMIENTO:

Para preparar la máquina para su funcionamiento, asegúrese que tenga el voltaje correcto y esté correctamente ensamblada. Si tiene dudas, pregunte a su supervisor.

1. Si la aspiradora está en posición vertical (figura 1), eleve la palanca mientras sostiene la aspiradora, y después baje la aspiradora al piso lentamente.
2. Instale la bolsa del filtro correctamente en la aspiradora.
 - a. Eleve la cubierta de la máquina.
 - b. La entrada de la bolsa del filtro ha sido diseñada con una junta de goma que encaja bien sobre el adaptador de la bolsa (figura 2) en la cubierta. Empuje la entrada de la bolsa del filtro sobre el adaptador en la cubierta. Después, desde el exterior de la cubierta, tome el interior del adaptador y empuje la junta hasta el final.
 - c. Cambie la bolsa del filtro cuando esté llena.

FUNCIONAMIENTO DE LA MÁQUINA:

1. Conecte el cable de alimentación de la máquina a una toma de corriente debidamente conectada a tierra (consulte las instrucciones de conexión a tierra).
2. El pedal debe elevarse a la posición "Brush" (cepillo) (figura 3, A) para aspirar un área mayor.
3. Ajuste la altura del cepillo mediante la palanca situada en la parte posterior de la máquina, cerca del suelo (figura 3, B).
4. Encienda el interruptor de la aspiradora (interruptor oscilante situado a la derecha del operador, figura 4, A).
5. Encienda el interruptor del cepillo (interruptor oscilante situado a la izquierda del operador, figura 4, B).

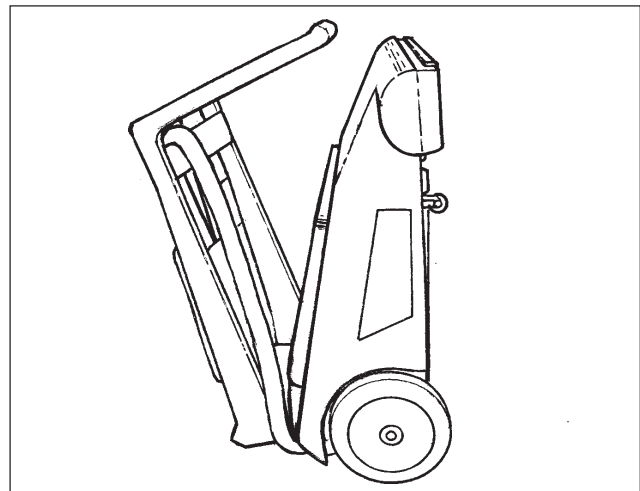


Figure 1

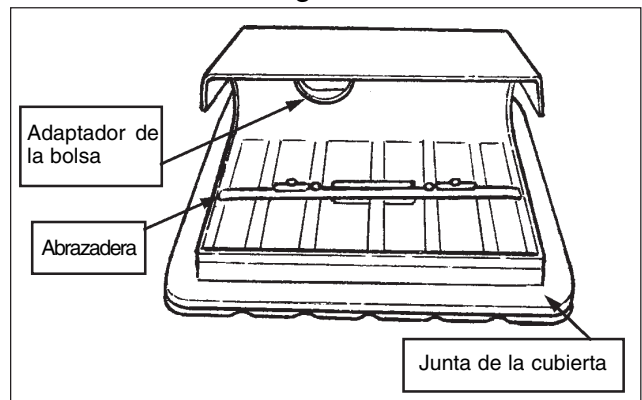


Figure 2

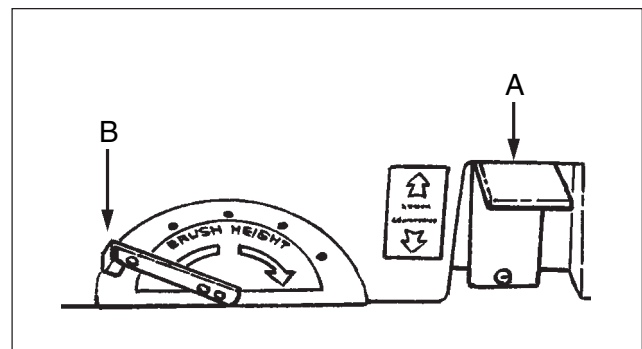


Figure 3

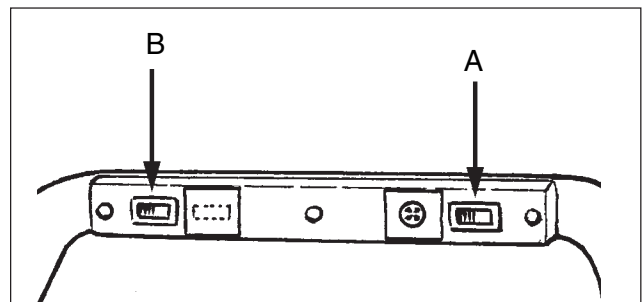


Figure 4

PROCEDIMIENTOS OPERATIVOS (sigue)

FUNCIONAMIENTO CON HERRAMIENTAS:

La aspiradora dispone de tres herramientas incorporadas: la herramienta para el polvo, la herramienta para hendiduras, y la herramienta turbo (figura 5). Se suministran 6,1 metros (20 pies) de manguera, que permiten acceder a las habitaciones sin mover la máquina.

1. Los interruptores del cepillo y de la aspiradora deben estar apagados.
2. Sitúe el pedal en la posición "ACCESSORY" (accesorio).
3. Retire la parte rígida del accesorio de manguera de su área de almacenamiento en la palanca, y acople la herramienta que desee.
4. Encienda el interruptor de la aspiradora y comience a limpiar.

NOTA: el interruptor de la aspiradora debe estar apagado cuando se alterne el pedal entre la posición de accesorio y cepillo.

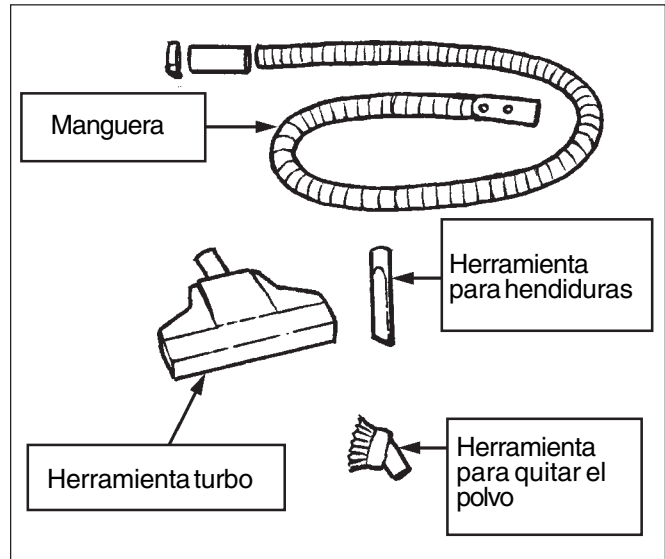


Figure 5

MANTENIMIENTO

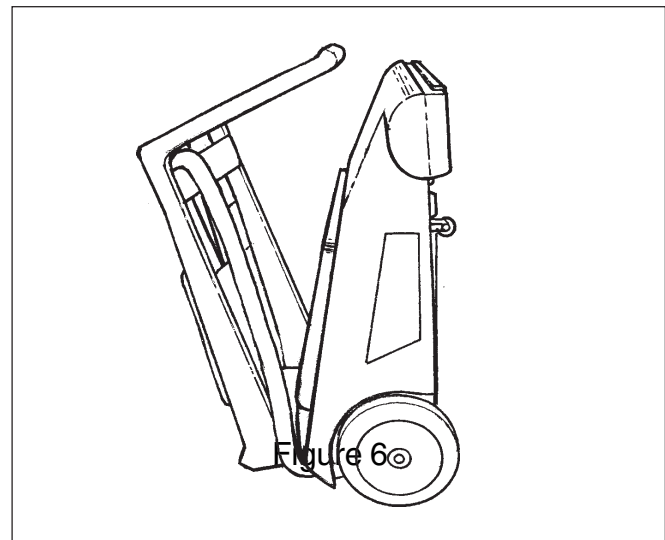


ADVERTENCIA: Para evitar las descargas eléctricas, SIEMPRE apague los interruptores del cepillo y del motor de vacío y DESENCHUFE el cable de alimentación de la toma de corriente antes de realizar cualquier tarea de limpieza o mantenimiento de la máquina, y siempre que deje la máquina sin supervisión. No manipule el enchufe ni la aspiradora con las manos húmedas.

DESPUÉS DE CADA USO:

1. **Bolsa del filtro de vacío:** si la bolsa está llena o está dañada, instale una nueva bolsa.

Bolsa de filtro, paquete de 10 - Nº de parte
Bolsa de tela (opcional) - Nº de parte
2. **Enchufe y cable de alimentación:** verifique si tiene cortes o muescas; si el cable está dañado, haga que lo cambien en un servicio técnico autorizado por la fábrica.
3. **Ruedas:** retire hilos o residuos que puedan dificultar el movimiento de las ruedas.
4. **Herramientas:** inspeccione las herramientas y asegúrese que nada obstruye el flujo de aire. Retire cualquier residuo que encuentre.
5. **Cepillo:** retire hilos y residuos. Sustituya si está desgastado o dañado.
6. **Almacenamiento:** la manija debe estar plegada hacia atrás y la máquina debe guardarse en posición vertical (figura 6) para reducir los requerimientos de espacio para almacenamiento. Guarde la máquina en un área limpia y seca.



MANTENIMIENTO

SEMANAL:

1. **Inspeccione y limpie los dos filtros de entrada de vacío.** Retire la cubierta de la máquina. Ahora ya puede acceder a los filtros (figura 7). Están fabricados de espuma adherida a anillos de montaje de plástico. Deslice los filtros hacia fuera y límpielos agitándolos o aspirándolos. Sustitúyalos si están rotos, desgarrados o no pueden limpiarse.
2. **Inspeccione y limpie el filtro de escape.** Está situado debajo de la manija, en la parte superior de la máquina (figura 8). Retire el filtro y límpielo agitándolo, aspirándolo o lavándolo con agua. Sustitúyalo si está roto, desgarrado o no se puede limpiar.

MANTENIMIENTO DEL MOTOR DE VACÍO:

Haga que un técnico del servicio técnico autorizado por la fábrica inspeccione el motor de vacío anualmente. Si las escobillas de carbono están desgastadas, deben ser reemplazadas. Este tipo de mantenimiento prolongará la vida útil del motor.

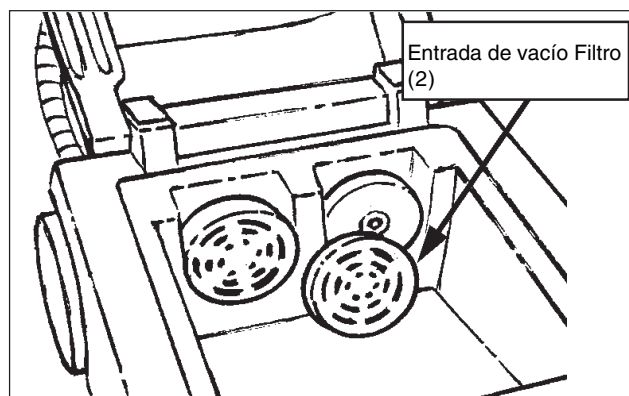


Figure 7

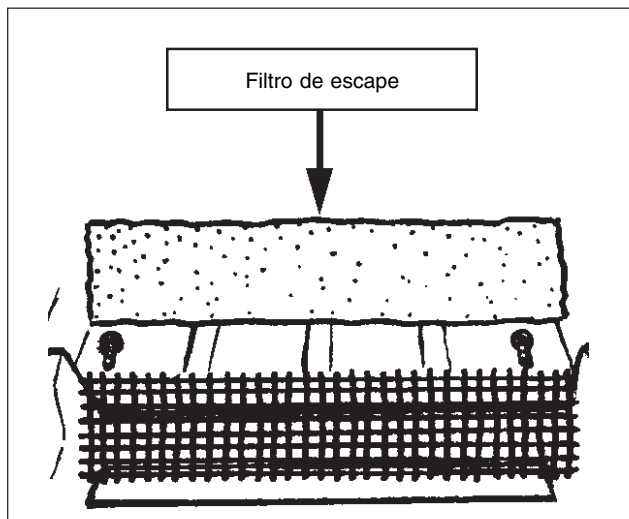


Figure 8

Clarke®
Carpet Master 30
Aspiration sur une zone étendue

LISEZ CE MANUEL

Ce manuel contient des informations importantes concernant l'utilisation et le bon fonctionnement de cette machine. Il est important de lire ce manuel avant d'utiliser la machine ou d'entamer toute procédure d'entretien ou de réparation sur votre machine Clarke ; le non-respect de ces indications pourra entraîner des blessures, à vous-même ou à d'autres membres du personnel, ainsi que des dommages à la machine ou à d'autres éléments. Vous devrez avoir reçu une formation concernant l'utilisation de cette machine avant de l'utiliser. Si votre/vos opérateur/s ne lisent pas l'anglais, expliquez-leur ce manuel en détail avant toute utilisation de cette machine.

Toutes les indications présentes dans ce manuel sont fournies à partir de la position de l'opérateur à l'arrière de la machine.

Pour de nouveaux manuels, contactez : Clarke®, 2100 Highway 265, Springdale, Arkansas 72764.

INDEX

Instructions pour la sécurité de l'opérateur	15
Instructions de mise à la terre	16
Procédures d'opération	17
Entretien	18
Schéma de l'assemblage final et liste des pièces	22
Schéma du tuyau flexible & des accessoires et liste des pièces	23
Schéma de l'assemblage de commutation et liste des pièces	24
Schéma de l'assemblage de la roue et liste des pièces	24
Schéma de l'assemblage du couvercle et liste des pièces	25
Schéma des composantes du filtre d'échappement & poignée et liste des pièces	26
Schéma de la pédale & ajustage de la brosse et liste des pièces	27
Schéma de l'assemblage de la brosse et liste des pièces	28
Schéma du moteur d'aspiration et filtres et liste des pièces	29
Schéma électrique	30

CETTE MACHINE EST PRÉVUE POUR UNE UTILISATION COMMERCIALE.

INSTRUCTIONS DE SÉCURITÉ POUR L'OPÉRATEUR


DANGER :

Des blessures graves ou mortelles peuvent survenir si toutes les indications de DANGER ne sont pas respectées ou sont ignorées. Lisez et observez toutes les indications de DANGER se trouvant dans votre Manuel du Propriétaire et sur votre machine.


AVERTISSEMENT :

Des blessures peuvent survenir, à vous ou à d'autres membres du personnel, si toutes les indications d'AVERTISSEMENT ne sont pas respectées ou sont ignorées ; des dégâts matériels sont également susceptibles de survenir. Lisez et observez toutes les indications d'AVERTISSEMENT se trouvant dans votre Manuel du Propriétaire et sur votre machine.


ATTENTION :

Des dégâts peuvent survenir à la machine ou à d'autres éléments si toutes les indications d'ATTENTION ne sont pas respectées ou sont ignorées. Lisez et observez toutes les indications d'ATTENTION se trouvant dans votre Manuel du Propriétaire et sur votre machine.

LISEZ ATTENTIVEMENT TOUS LES AVERTISSEMENTS ET LES INSTRUCTIONS DE CE MANUEL AVANT D'UTILISER CETTE


DANGER :

Lire attentivement le Manuel du propriétaire avant d'entamer toute procédure d'entretien ou de réparation sur votre machine ; le non-respect de ces indications pourra entraîner des blessures, à vous-même ou à d'autres membres du personnel, ainsi que des dommages à la machine ou à d'autres éléments. Vous devrez avoir reçu une formation concernant l'utilisation de cette machine avant de l'utiliser. Si votre/vos opérateur/s ne lisent pas l'anglais, expliquez-leur ce manuel en détail avant toute utilisation de cette machine.


DANGER:

Des risques d'électrocution ou d'incendie existent lorsque la machine est utilisée sur un circuit de puissance de taille insuffisante ou se déclenchant de manière répétée. Faites contrôler le fusible, le coupe-circuit et l'alimentation par un électricien qualifié, et/ou contactez votre distributeur Clarke local pour plus d'informations.


AVERTISSEMENT : Pour réduire le risque d'incendie, de chocs électriques ou de blessures :

1. N'UTILISEZ PAS CETTE MACHINE POUR ASPIRER DES DÉCHETS HUMIDES.
2. Ne l'utilisez pas à l'extérieur ou sur des surfaces humides.
3. Faites attention à ce que cette machine ne soit pas utilisée comme un jouet. Il est recommandé d'être particulièrement vigilant lorsque cette machine est utilisée à proximité d'enfants ou par eux.
4. N'utilisez pas cette machine comme escalier ou meuble. Ceci pourrait entraîner des blessures de l'opérateur.
5. Ne faites pas fonctionner cette machine avant qu'elle ne soit complètement assemblée. Le sac à poussière et/ou les filtres doivent être en place. N'utilisez que les accessoires du fabricant.
6. Gardez la machine et ses composants électriques à l'abri de l'humidité. Protégez la machine de la pluie. Conservez-la dans un lieu sec. Nettoyez la machine uniquement à l'aide d'un chiffon sec.
7. Les machines peuvent provoquer une explosion lorsqu'elles fonctionnent près de matériaux et vapeurs inflammables. N'utilisez pas cette machine avec ou près de combustibles, poussières, solvants, diluants ou autres matériaux inflammables. N'utilisez pas de produits inflammables pour nettoyer cette machine.
8. N'aspirez pas d'articles enflammés ou qui fument, tels que des cigarettes, allumettes ou cendres chaudes.
9. L'entretien et les réparations ne doivent être réalisés que par un centre de réparation qualifié ou agréé.
10. Si la machine ne fonctionne pas correctement, qu'elle est tombée, est endommagée, qu'elle est restée à l'extérieur ou qu'elle est tombée dans l'eau, renvoyez-la à un centre d'entretien.
11. Branchez-la à une prise connectée correctement à la terre (Voir Instructions de mise à la terre).
12. Pour éviter les chocs électriques, retirez toujours la fiche électrique de la prise électrique avant d'entamer toute réparation ou entretien sur la machine et lorsque vous laissez la machine sans surveillance. Ne touchez jamais la prise ou l'appareil avec les mains mouillées.
13. Ne jamais tirer sur le câble, utiliser le câble comme poignée, refermer la porte sur le câble, ou tirez le câble contre des angles ou bords arrêtés. Tenir le câble éloigné des surfaces chauffantes. Ne pas utiliser l'appareil avec une fiche ou un câble endommagé.
14. Éteignez tous les interrupteurs avant de débrancher l'appareil.
15. Ne placez pas d'objets dans les ouvertures. N'utilisez pas l'appareil avec des ouvertures obstruées : éliminez la poussière, les peluches, cheveux, ainsi que toutes particules pouvant gêner le flux d'air.
16. Tenez les vêtements amples, les cheveux, les doigts et toutes autres parties du corps éloignés des ouvertures et des pièces mobiles.
17. Assurez-vous que toutes les étiquettes, autocollants, avertissements, recommandations et instructions sont fermement fixés à la machine.

INSTRUCTIONS DE MISE À LA TERRE

Cette machine doit être mise à la terre. Dans le cas d'un mauvais fonctionnement ou d'une panne, la mise à la terre représente la voie de moindre résistance pour le courant électrique afin de réduire le risque de chocs électriques. Cette machine est équipée d'un câble avec une finche de mise à la terre et d'un conducteur de mise à la terre de l'équipement. La fiche doit être insérée dans une prise adéquate, correctement installée, et mise à terre conformément à tous les ordonnances et réglementations locales.

⚠ AVERTISSEMENT: Une connexion incorrecte du conducteur de mise à la terre de l'équipement peut provoquer des risques de chocs électriques. Demandez l'avis d'un électricien ou ouvrier qualifié si vous n'êtes pas sûr que la prise est correctement mise à la terre. Ne modifiez pas la fiche fournie avec la machine. Si cette fiche n'entre pas dans la prise, faites installer une prise adéquate par un électricien qualifié.

Cette machine doit être utilisée avec un circuit nominal de 120 volts, et possède une prise reliée à la terre similaire à la prise présentée en figure A. Assurez-vous d'avoir la tension et la fréquences correctes avant de connecter le câble d'alimentation à une prise. Un adaptateur temporaire tel que l'adaptateur similaire à l'adaptateur illustré en figures B et C pourra être utilisé pour connecter cette fiche à un réceptacle à 2 pôles, tel qu'indiqué en figure B si une prise adéquate n'est pas disponible. L'adaptateur temporaire devra être utilisé uniquement jusqu'au moment où une prise correctement mise à la terre (figure A) est installée par un électricien qualifié. La lamelle, ergot, ou élément similaire de couleur verte sortant de l'adaptateur doit être connecté à la terre. Lorsque l'adaptateur est utilisé, il doit être maintenu en place à l'aide d'une vis métallique.

N.B.: Au Canada, l'utilisation d'un adaptateur temporaire n'est pas permise par le Code électrique canadien.

⚠ AVERTISSEMENT: Pour éviter tout risque de chocs électriques, protégez la machine de la pluie. Conservez la machine dans un lieu sec.

⚠ AVERTISSEMENT: Pour une protection maximum contre les chocs électriques, utilisez un circuit protégé par un interrupteur de circuit de défaut à la terre. Consultez votre ingénieur électricien.

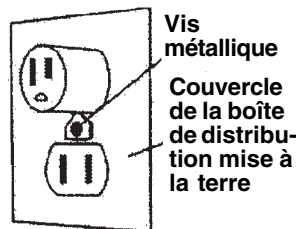
⚠ AVERTISSEMENT: Faites remplacer par un membre autorisé du personnel de maintenance les prises ou câbles usés, coupés ou endommagés.

RALLONGES

N'utilisez que des rallonges à trois fils agréés d'une valeur de AWG 14/3 ou supérieure (AWG signifie American Wire Gauge, ou calibre américain des câbles) avec trois dents et un connecteur à trois trous acceptant la fiche de l'appareil. Remplacez ou réparez tous les câbles et fiches endommagés. Ne consultez qu'une personne autorisée pour effectuer les réparations. N'utilisez que des pièces de rechange identiques.

⚠ AVERTISSEMENT: Si vous utilisez une rallonge, utilisez-en une qui ait une taille de câble d'au moins 14 AWG. Assurez-vous que votre rallonge n'excède pas 15 m et n'utilisez pas deux rallonges bout à bout.

⚠ AVERTISSEMENT: Ne déplacez pas la machine sur un câble électrique. Soulevez toujours le câble électrique. Soulevez toujours le câble par-dessus la machine.

Figure A**Figure B****Figure C**

N.B. : Ne pas utiliser les adaptateurs indiqués aux figures B & C au Canada

PROCÉDURES DE FONCTIONNEMENT

⚠ DANGER : Lire attentivement le Manuel du propriétaire avant d'entamer toute procédure d'entretien ou de réparation sur votre machine ; le non-respect de ces indications pourra entraîner des blessures, à vous-même ou à d'autres membres du personnel, ainsi que des dommages à la machine ou à d'autres éléments. Vous devez avoir reçu une formation concernant l'utilisation de cette machine avant de l'utiliser. Si votre/vos opérateur/s ne lisent pas l'anglais, expliquez-leur ce manuel en détail avant toute utilisation de cette machine.

⚠ AVERTISSEMENT : Les machines peuvent provoquer une explosion lorsqu'elles fonctionnent près de matériaux et vapeurs inflammables. N'utilisez pas cette machine avec ou près de combustibles, poussières, solvants, diluants ou autres matériaux inflammables. N'utilisez pas de produits inflammables pour nettoyer cette machine.

⚠ AVERTISSEMENT : Pour réduire le risque d'incendie, de chocs électriques ou de blessures, n'aspirez pas d'articles enflammés ou qui fument, tels que des cigarettes, allumettes ou cendres chaudes.

PRÉPARATION DE LA MACHINE AU FONCTIONNEMENT :

Pour préparer la machine au fonctionnement, assurez-vous que la tension est correcte et que la machine est correctement assemblée. En cas de doute, consultez votre supérieur.

1. Si l'aspirateur est dans sa position verticale (figure 1), soulevez la poignée tout en soulevant l'aspirateur, puis abaissez lentement l'aspirateur au sol.
2. Installez correctement le sac à poussière dans l'aspirateur.
 - a. Soulevez le couvercle de la machine.
 - b. L'ouverture du sac à poussière est conçue avec un joint de caoutchouc qui se monte hermétiquement sur l'adaptateur du sac (figure 2) dans le couvercle. Poussez l'ouverture du sac à poussière sur l'adaptateur sur le couvercle. Puis, dans l'adaptateur, à partir de l'extérieur du couvercle, appuyez sur le joint pour finir de le mettre complètement en place.
 - c. Remplacez le sac à poussière lorsqu'il est plein.

FONCTIONNEMENT DE LA MACHINE :

1. Branchez le câble d'alimentation de l'appareil dans une prise correctement mise à la terre (voir Instructions de mise à la terre).
2. La pédale doit être soulevée en position « Brosse » (figure 3, A) pour une aspiration sur une plus grande surface.
3. Ajustez la hauteur de la brosse à l'aide du levier situé à l'arrière de la machine, près du sol (figure 3, B).
4. Mettez l'interrupteur de l'aspirateur sur « ON » (interrupteur basculant, situé à la droite de l'opérateur, figure 4, A).
5. Mettez l'interrupteur de la brosse sur « ON » (interrupteur basculant, situé à la gauche de l'opérateur, figure 4, B).

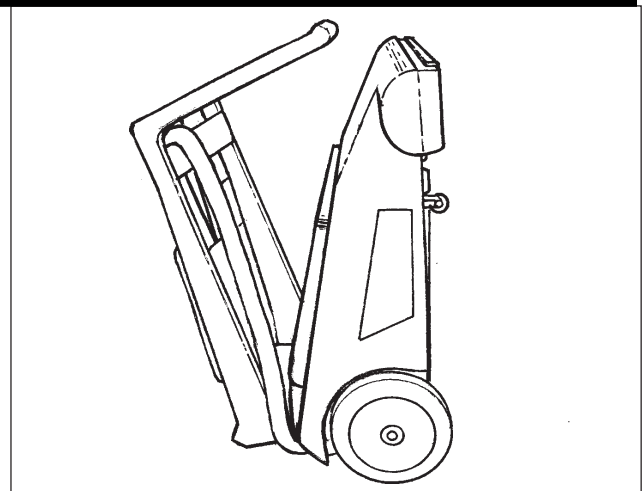


Figure 1

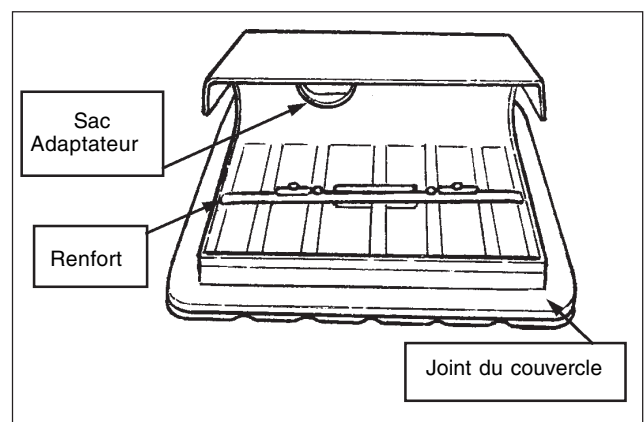


Figure 2

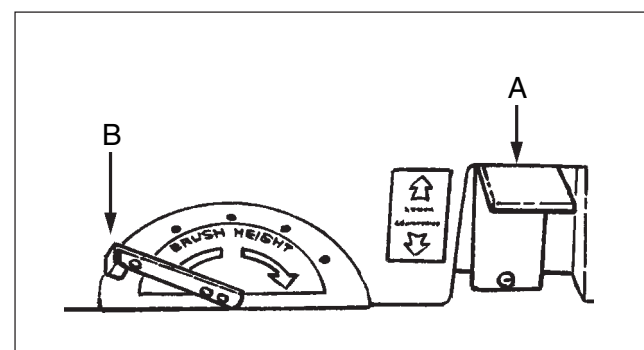


Figure 3

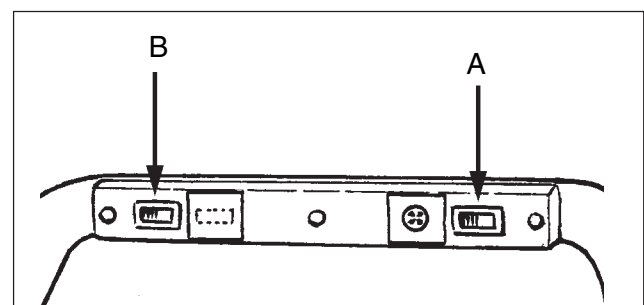


Figure 4

PROCÉDURES DE FONCTIONNEMENT suite**OPÉRATION AVEC ACCESSOIRES :**

Trois accessoires intégrés sont disponibles avec l'aspirateur : un embout d'époussetage, un embout plat et une turbobrosse (figure 5). Un tuyau flexible de six (6) mètres est fourni, ce qui permet de nettoyer plusieurs pièces sans déplacer la machine.

1. Les interrupteurs de la brosse et de l'aspirateur doivent être sur « OFF ».
2. Appuyez sur la pédale jusqu'à la position « ACCESSORY ».
3. Retirez la portion rigide du raccord pour accessoire de son compartiment de rangement dans la poignée et fixez-y l'accessoire de votre choix.
4. Mettez l'interrupteur de l'aspirateur sur « ON » pour commencer à nettoyer.

N.B. : L'interrupteur de l'aspirateur doit être sur OFF lorsque vous appuyez sur la pédale pour alterner entre les positions accessoire et brosse.

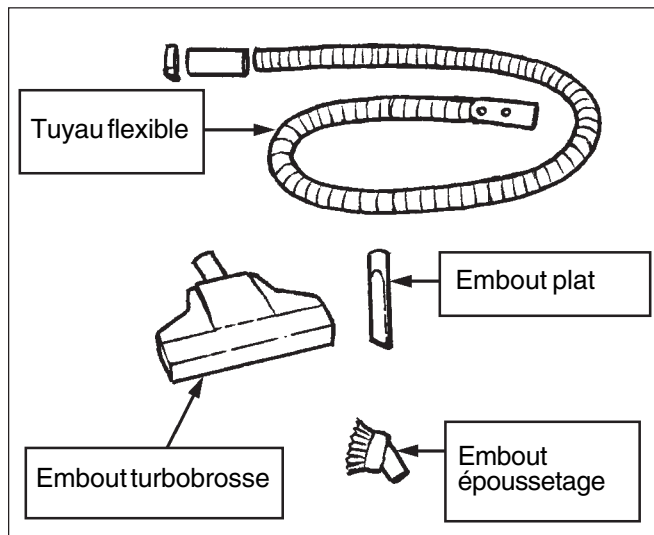


Figure 5

ENTRETIEN

AVERTISSEMENT : Pour éviter les chocs électriques, Mettez TOUJOURS les interrupteurs du moteur d'aspiration et de la brosse sur OFF et DÉBRANCHEZ le câble d'alimentation de la prise électrique avant d'entreprendre tout nettoyage ou réparation et lorsque la machine est laissée sans surveillance. Ne touchez jamais la prise ou l'aspirateur avec les mains mouillées.

APRÈS CHAQUE UTILISATION :

1. **Sac à poussière de l'aspirateur :** Si le sac est plein ou endommagé, changez-le.
Sac à poussière, Paquet de 10 - Article Numéro
Sac de tissu (en option) - Article Numéro
2. **Câble d'alimentation et prise :** Contrôlez qu'il ne présente ni coupures ni entailles; s'il est endommagé, faites remplacer le câble dans un centre de réparation agréé.
3. **Roulettes et roues :** Retirez tous fils ou débris pouvant entraver le mouvement des roues.
4. **Outils :** Inspectez les outils pour contrôler qu'il n'y a pas d'obstruction du flux d'air. Retirez toutes les impuretés que vous trouvez.
5. **Brosse :** Retirez tous fils ou débris. Remplacez-la si elle est usée ou endommagée.
6. **Rangement :** La poignée peut être repliée et la machine rangée à la verticale (figure 6) afin de réduire l'espace de rangement. Rangez la machine dans un lieu sec et propre.

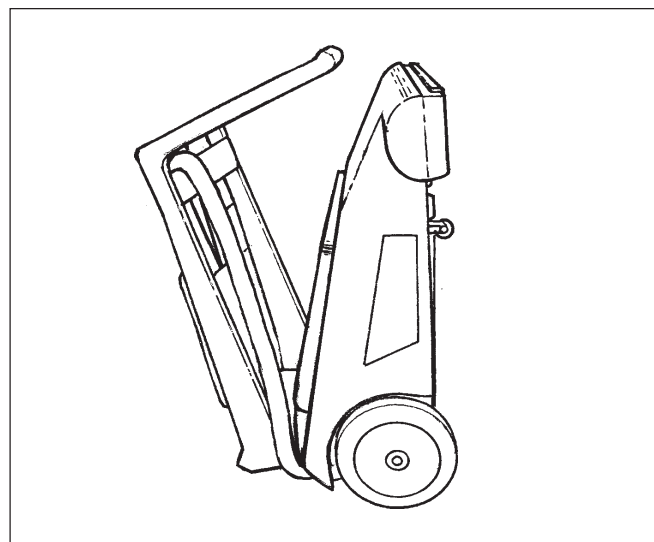


Figure 6

ENTRETIEN**HEBDOMADAIRE :**

- 1. Inspectez et nettoyez les deux filtres d'entrée de l'aspirateur.** Retirez le couvercle de la machine. Les filtres sont à présent accessibles (figure 7). Ils sont fabriqués en mousse fixée à des anneaux de montage en plastique. Retirez les filtres en les faisant coulisser et nettoyez-les en les secouant ou les aspirant. Remplacez-les s'ils présentent des entailles ou des déchirures ou s'ils ne peuvent pas être nettoyés.
- 2. Inspectez et nettoyez le filtre d'évacuation.** Il se trouve au-dessous de la poignée, sur le dessus de la machine (figure 8). Retirez le filtre et nettoyez-le en le secouant, l'aspirant ou le rinçant à l'eau. Remplacez-le s'il présente des entailles ou des déchirures ou s'il ne peut pas être nettoyé.

ENTRETIEN DU MOTEUR DE L'ASPIRATEUR :

Faites inspecter le moteur de l'aspirateur annuellement par un technicien d'entretien autorisé par l'usine. Si les brosses de carbone sont usées, elles devront être remplacées. Cet entretien prolongera la durée de vie du moteur.

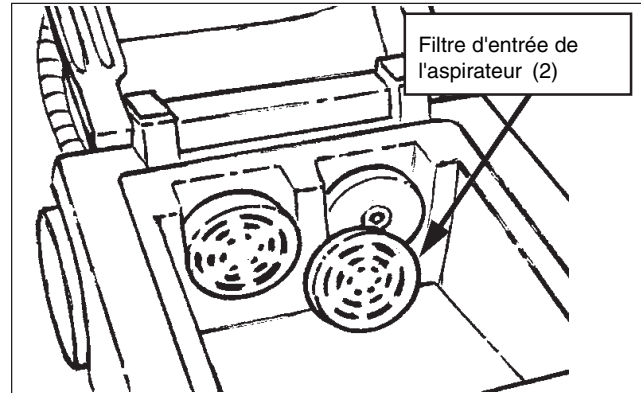


Figure 7

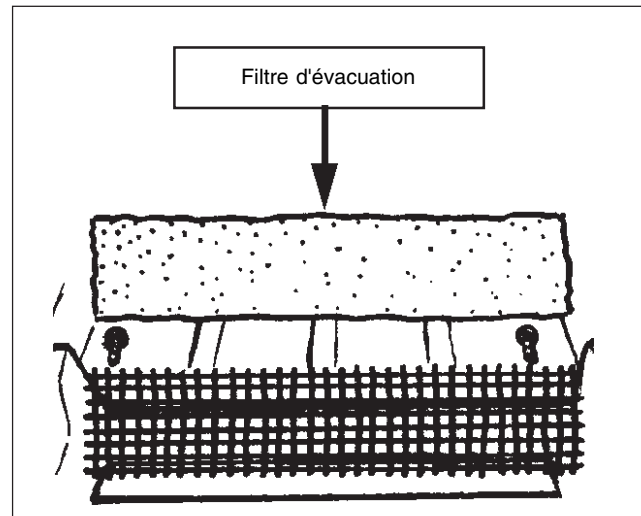


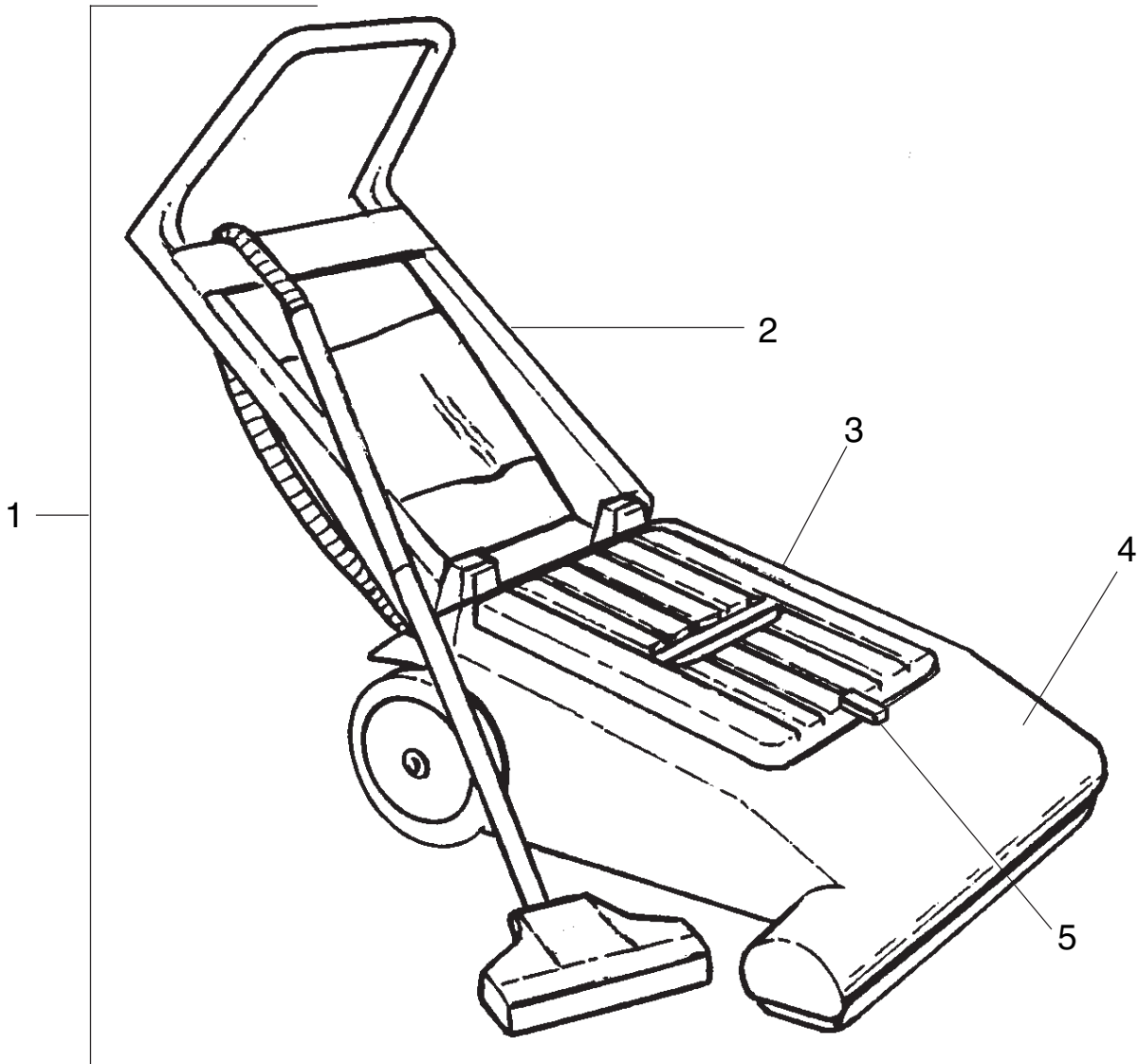
Figure 8

Clarke®

Carpet Master 30 Wide Area Vacuum Section II Parts and Service Manual

(70796A)

Clarke®
CarpetMaster 30
Final Assembly 5/06

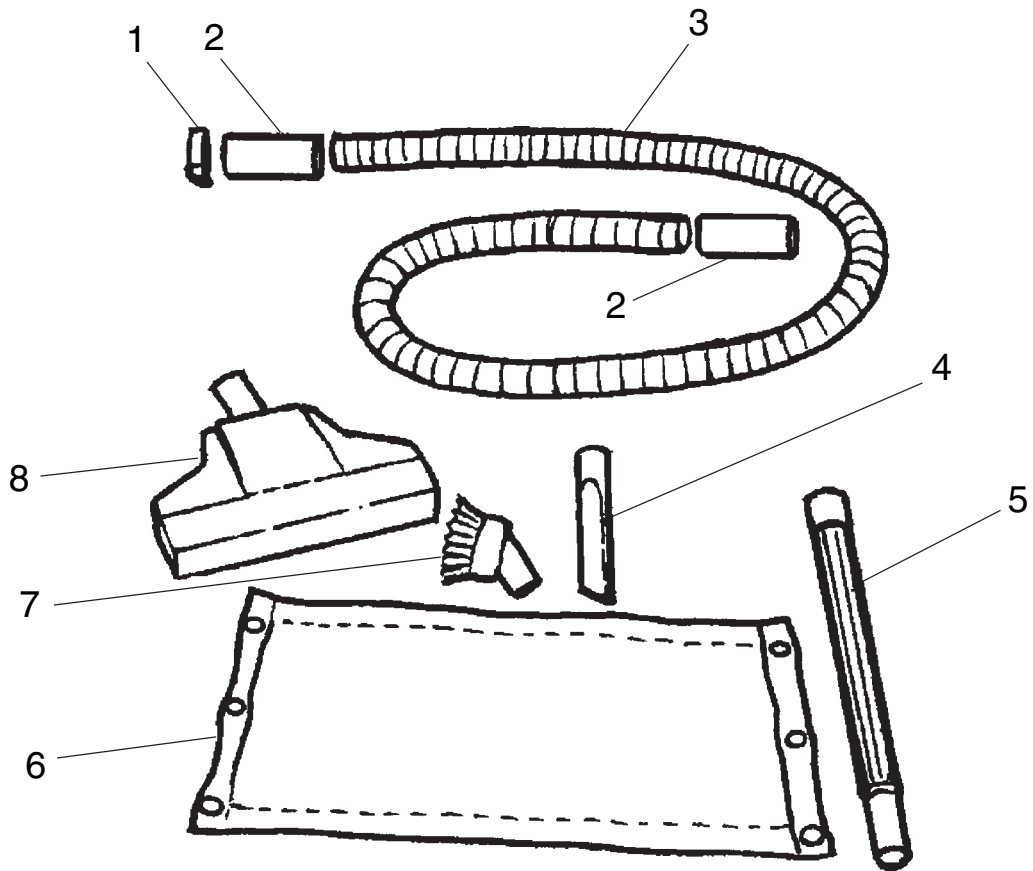


Ref. No.	Part No.	Description	Qty.
1	03064A	Machine, Complete	Ref.
2	30546A	Handle, Machine	1
3	30547A	Cover	1
4	30548A	Body, Machine	1
5◆	53768A	Latch Kit, CM-30	1
NI	70797A	Label, RH CarpetMaster 30	1
NI	70798A	Label, LH CarpetMaster 30	1

NI = Not Illustrated\

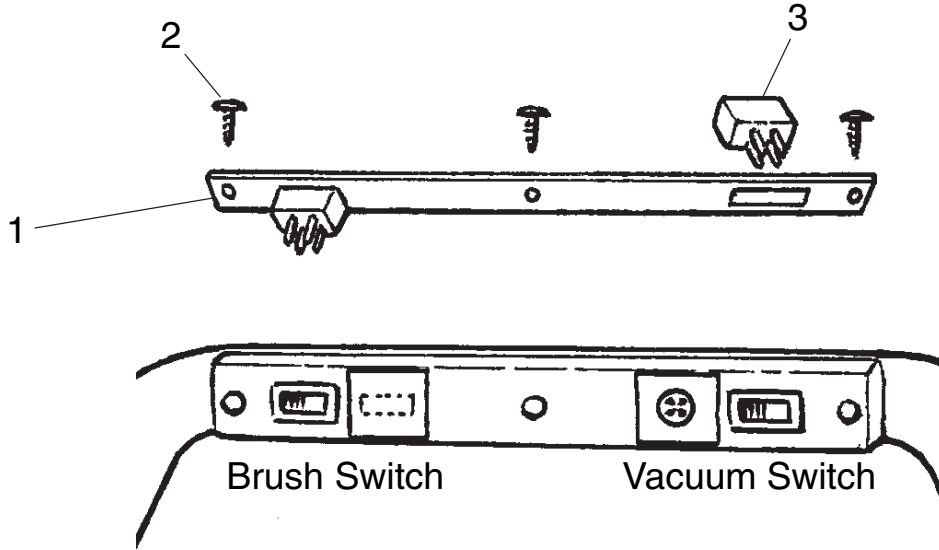
NOTE: ◆ indicates a change has been made since the last publication of this manual.

Clarke®
CarpetMaster 30
Hose and Accessories 12/05



Ref. No.	Part No.	Description	Qty.
1	53451A	Clamp w/screw	1
2	30551A	Cuff	2
3	30549A	Hose	1
4	59223A	Crevice Tool	1
5	59884A	Wand	1
6	53450A	Tool Storage Bag	1
7	51710A	Dusting Tool	1
8	30553A	Turbo Tool	1

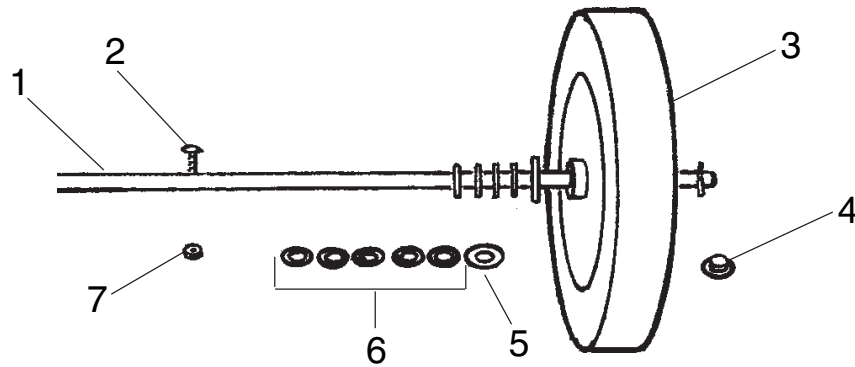
Clarke®
CarpetMaster 30
Switch Assembly 2/04



Ref. No.	Part No.	Description	Qty.
1	53452A	Plate, Switch	1
2		Screw, #8 x 1/2 THP SMS	3
3	40881A	Switch, Rocker 20 Amp	2
NI	40886A	Lead Assembly, Switch	1

NI= Not illustrated

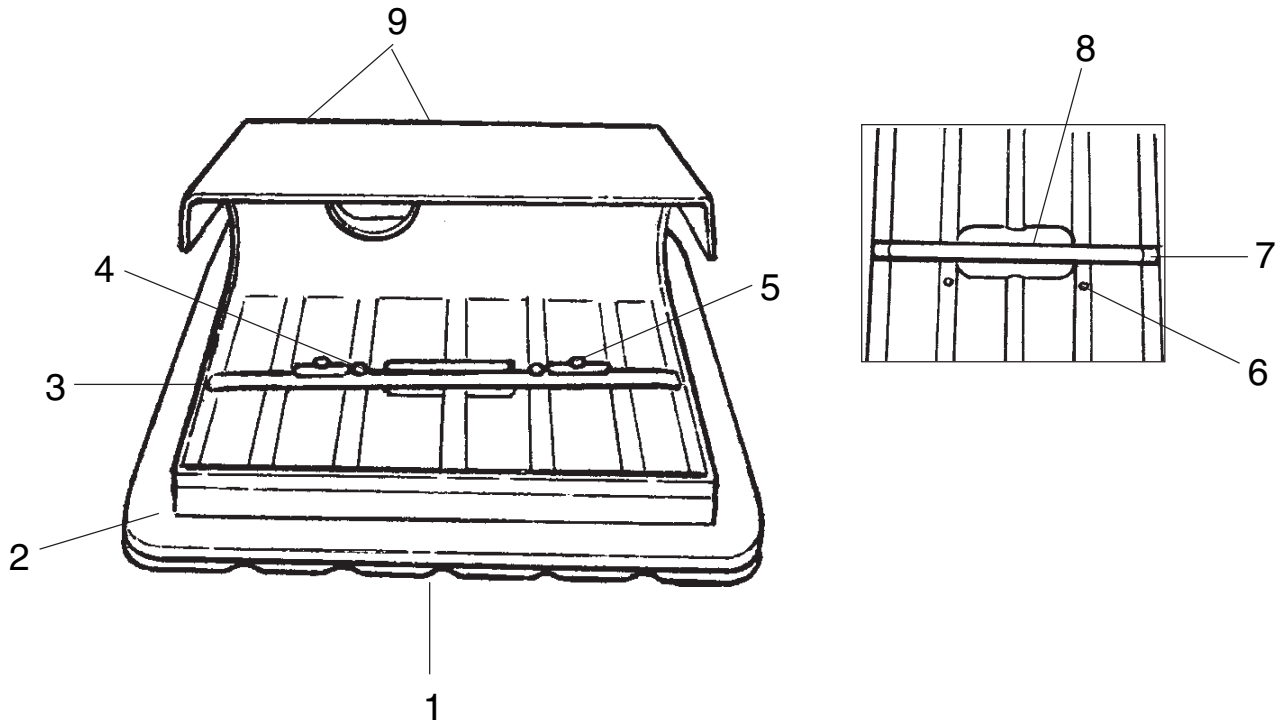
Clarke®
CarpetMaster 30
Wheel Assembly 2/04



	Part No.	Description	Qty.
1	53458A	Shaft, Wheel	1
2		Screw, 10-24 x 1 PHP	1
3	59947A	Wheel, 10 x 1.75	2
4	920346	Snap Axle Cap	2
5		Washer, 7/16 Flat	2
6	53459A	Washer, Fibre	11*
7		Nut, 10-24 ESNA SS	1

*NOTE: Qty. 5 on one side and Qty. 6 on the other.

Clarke®
CarpetMaster 30
Cover Assembly 2/04

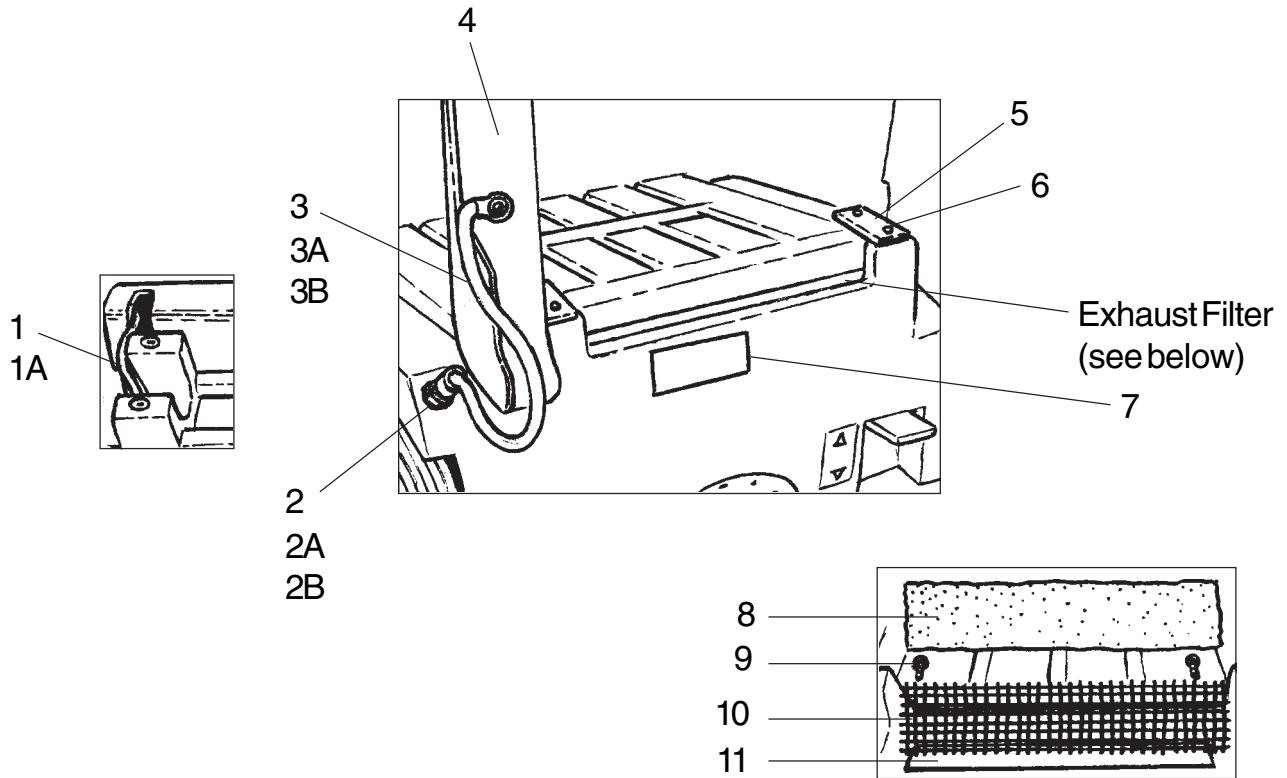


Ref. No.	Part No.	Description	Qty.
1	30547A	Cover	1
2	30552A	Gasket, Cover	1
3	53453A	Brace, Low	1
4		Nut, 10-24 ESNA SS	2
5		Screw, 8 x 1/2 STS	2
6		Screw, 10-24 x 1 PHP	2
7	53455A	Cap, Handle	2
8	53454A	Handle	1
9	Ref.	*Bag Clamp Asm. (NI)	ref.
NI	53456A	Paper Vacuum Bag (10 pk.)	1
NI	53457A	Cloth Vacuum Bag (Optional)	1

* Ref. # 9 includes the following parts:		
Part No.	Description	Qty.
	Screw, 10-24 x 1/2 PHP	2
51867A	Clamps	2
	Nut, 10-24 ESNA	2

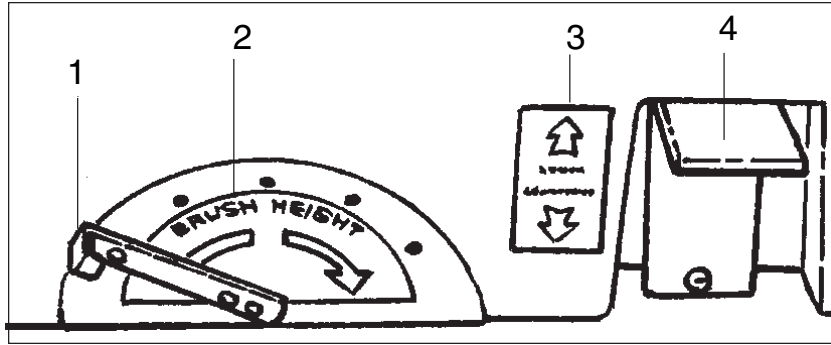
NI = not illustrated

Clarke®
CarpetMaster 30
Handle and Exhaust Filter Components 2/04

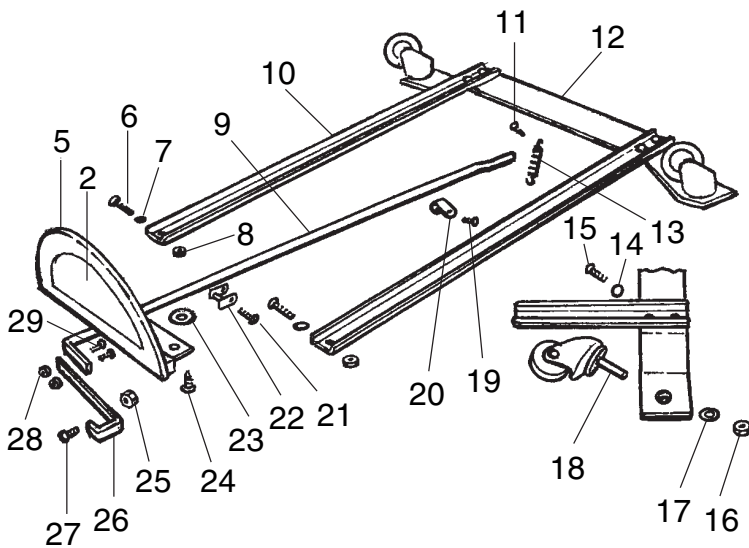


Ref. No.	Part No.	Description	Qty.
1	40887A	Wiring Harness	1
1A	40894A	Connectors	5
2	42206A	Cord Assembly 75'	1
2A	58013A	Strain Relief	1
2B		Nut, 1/2 Pipe Lock	1
3		Jacknut, 10-24	1
3A	872102	Clamp, Cable	1
3B		Screw, 10-24 x 1 PHP	1
4	30546A	Handle	1
5	53464A	Bracket, Handle	2
6		Screw, 1/4 -20 x 1 PHP	2
7	70791A	Label, Warning	1
8	53461A	Exhaust Filter	1
9		Screw, #8 x 1/2 THP	4
10	53462A	Screen, Filter	1
11	53463A	Sound Deadening	1

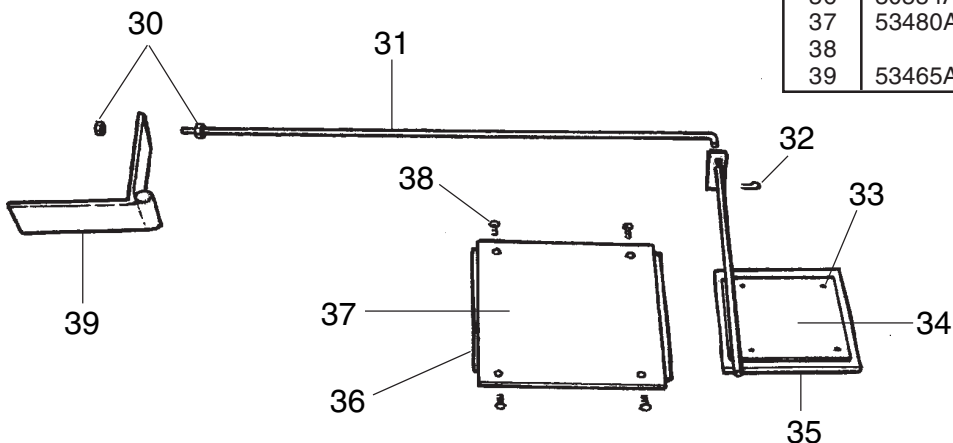
Clarke®
CarpetMaster 30
Brush Adjustment and Foot Pedal 2/04



Brush Adjustment Assembly 1/04



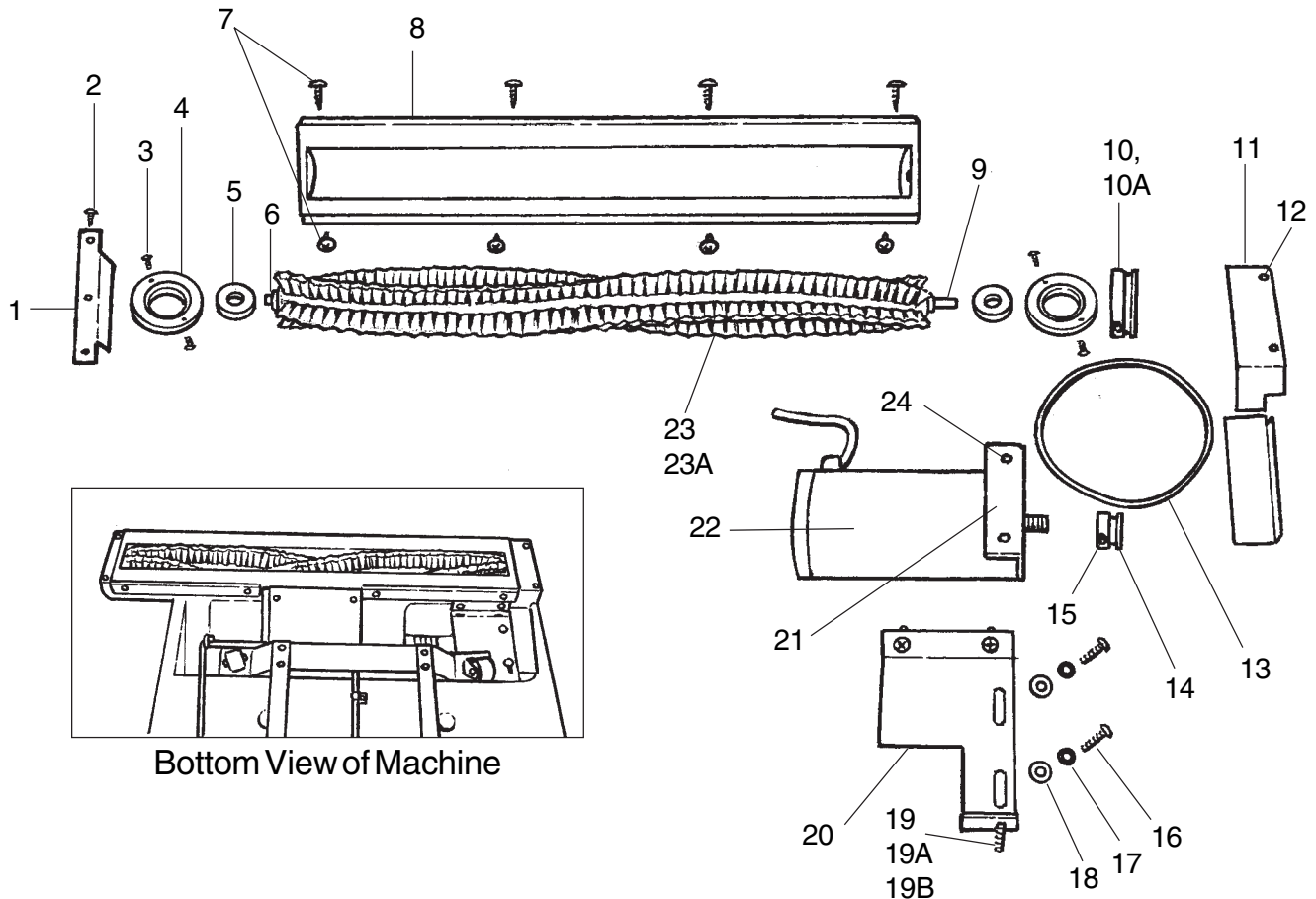
Foot Pedal & Vacuum Adjustment Assembly 1/04



Ref. #	Part No.	Description	Qty.
1	10692A	Brush Height Adj. Asm.	1
2	70792A	Label, Brush Adj.	1
3	70793A	Label, Brush Accessory	1
4	53465A	Brush/Accessory Foot Pedal Plate, Adjustment	1
5	53482A	Plate, Adjustment	1
6		Screw, 1/4-20 x 1 Hex	2
7		Washer, 1/4 Lock	2
8		Nut, 1/4-20	2
9	53485A	Rod	1
10	53484A	Arm, Support	2
11		Screw, #8 x 1/2 THP	1
12	53486A	Support, Caster	1
13	53490A	Spring	1
14		Washer, 1/4 Lock	4
15		Screw, 1/4 -20 x 3/4 HH	4
16		Nut, 3/8-16 Hex	2
17		Washer, 3/8 Lock	2
18	53488A	Caster	2
19		Screw, 8 x 1/2 THP	1
20	53487A	Bracket	1
21		Screw, 8-32 x 3/4 PHP	2
22	53489A	Sop, Adjustment Rod	2
23		Washer, 5/16	1
24		Screw, #8 x 1/2 THP	2
25	53495A	Nut, Connecting	1
26	53483A	Arm, Caster Adjustment	1
27		Screw, 10-24 x 1/2 PHP	1
28		Nut, 6-32 Hex w/Nylon FHP	2
29		Screw, 6-32 x 3/8	2
30		Nut, 1/4-20	2
31	53478A	Rod, Vacuum Adjustment	1
32	53460A	Cotter Pin	1
33		Screw, 8-32 x 5/16 PHP	4
34	53479A	Plate, Vacuum Door	1
35	30555A	Seal, Vacuum Door	1
36	30554A	Gasket, Duct	1
37	53480A	Plate	1
38		Screw, #8 x 1/2 THP	4
39	53465A	Foot Pedal (Lever for Door)	1

Not Shown - Part Number
53481A, Plate below seal (#35)

Clarke®
CarpetMaster 30
Brush Assembly 2/04



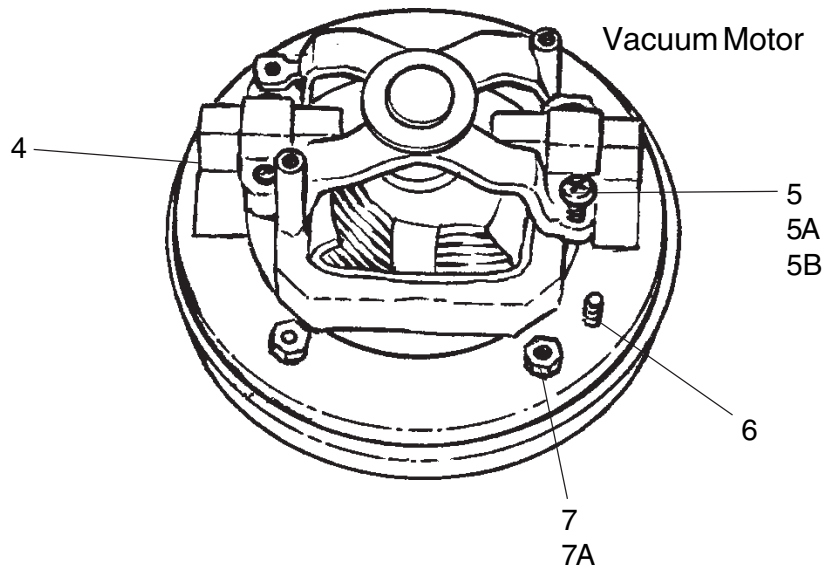
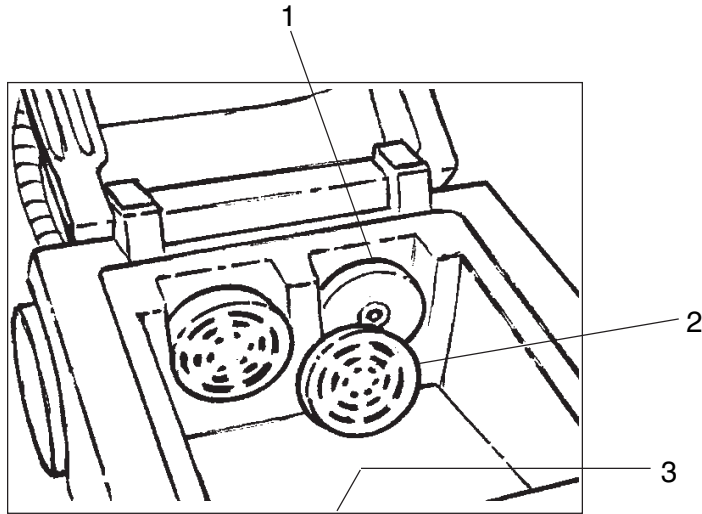
Bottom View of Machine

Ref. #	Part No.	Description	Qty.
1	53469A	Shoe End	1
2		Screw, #8 x 1/2 THP	3
3		Screw, 8-32 x 3/8 Flat PHP	2
4	53466A	Bearing Housing	2
5	53468A	Bearing	2
6	53471A	Shaft, Short	1
7		Screw, #8 x 1/2 THP	8
8	53467A	Shoe Brush	1
9	53472A	Shaft, Long	1
10	53473A	Pulley, Brush	1
10A		Set Screw, 1/4-20 x 1/4	2
11	53474A	Guard, Belt	1
12		Screw, #8 x 1/2 THP	4
13	53496A	Belt, Drive	1
14	53475A	Pulley, Motor	1
15		Set Screw, 1/4-20 x 1/4	2
16		Screw, 1/4-20 x 1/2 HH	2
17		Washer, 1/4 Lock	2
18		Washer, 1/4 Flat	2
19		Screw, 1/4-20 x 1 HH	3
19A		Washer, 1/4 Lock	3
19B		Jack Nut, 1/4 -20	3
20	53476A	Bracket, Brush Motor	1
21	53477A	Support, Motor	1
22	40893A	Brush Motor*	1
23	53470A	Brush	1
23A	10693A	Brush Asm. (incl. brush w/shafts)	1
24		Screw, 1/4-20 x 1/2 Hex	4
NI		Guard	1
NI		Screw, #4 x 1/4	2

*NOTE: Brush motor internal rectifier is part number 40888A

NI = Not illustrated

Clarke®
CarpetMaster 30
Vacuum Motor and Filters 5/06



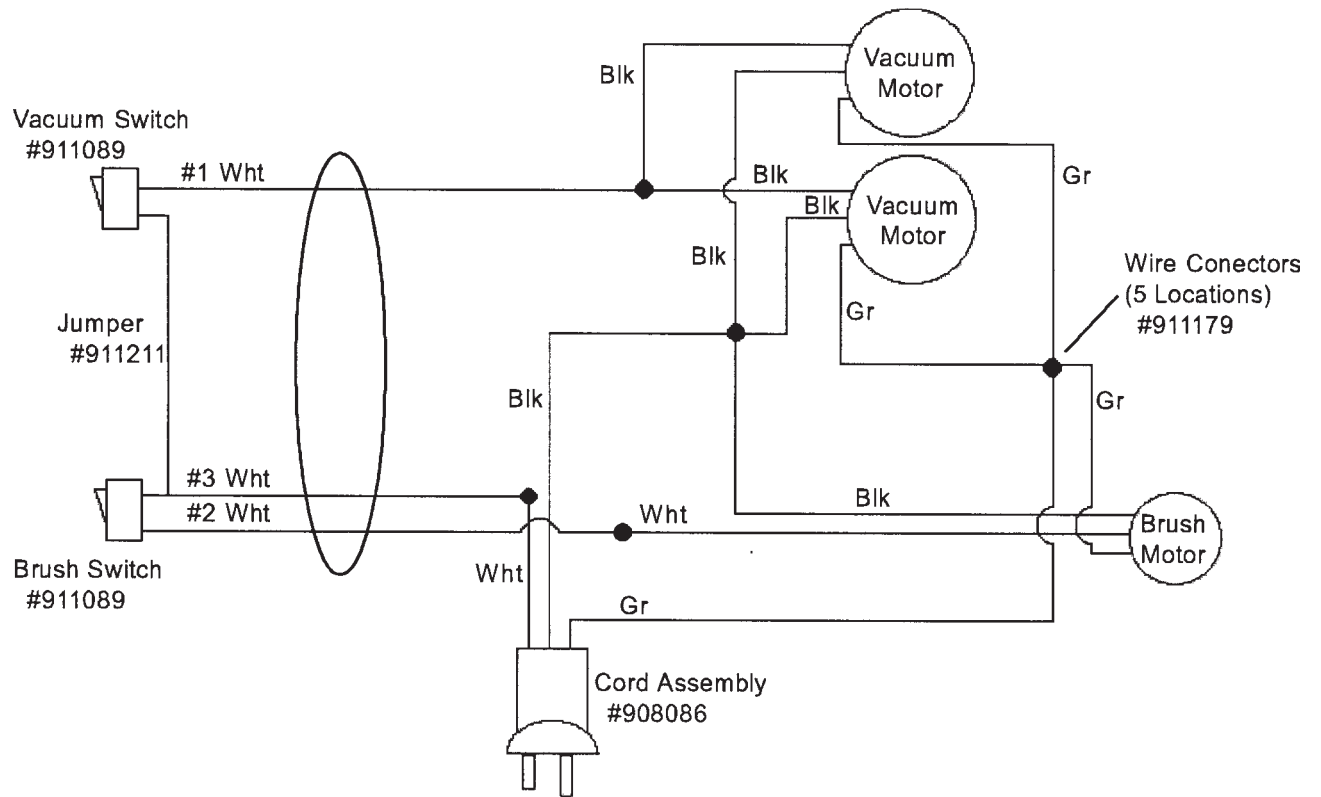
Ref. #	Part No.	Description	Qty.
1◆	40727A	Vac Motor	2
2	623382	Vacuum Inlet Filters	2
3	30560A	Gasket Hopper (not seen)	1
4	623443	Gasket, Motor Mount	2
5◆		Screw, 10-32 x 1/2	2
5A◆	40897A	Washer, #10 Int. Tooth	2
5B		Lead Asm., Green (NI)	2
6◆		Screw, 10-24 x 3/4 All-Thread	8
7◆		Nut, 10-24	8
7A◆		Washer, Flat #10	8

OPTIONAL - HEPA Filter, part number 53497A

NI = Not illustrated

NOTE: ◆ indicates a change has been made since the last publication of this manual.

Clarke®
CarpetMaster 30
Electrical Schematic 1/04



CLARKE PRODUCT SUPPORT BRANCHES

U. S. A. Locations

PRODUCTION FACILITIES

Clarke®, Springdale, Arkansas
2100 Highway 265
Springdale, Arkansas 72764
(479) 750-1000
Customer Service - 1-800-253-0367
Technical Service - 1-800-356-7274

American Lincoln®, Bowling Green, Ohio 43402
1100 Haskins Road

SERVICE FACILITIES

Clarke®, Elk Grove, Illinois 60007
2280 Elmhurst Road
(847) 956-7900

Clarke®, Denver, Colorado 80204
1955 West 13th Ave.
(303) 623-4367

Clarke®, Houston, Texas 77040
7215 North Gessner Road
713-937-7717

SERVICE AND SALES FACILITY

American Lincoln® / Clarke, Madison Heights,
Michigan 48071-0158
29815 John R.
(810) 544-6300

American Lincoln® / Clarke, Marietta, Georgia 30066
1455 Canton Road
(770) 973-5225

Clarke®

Clarke American Sanders

A.L. Cook

Customer Service Headquarters and Factory
2100 Highway 265
Springdale, Arkansas 72764
(479) 750-1000

Technical Service
1-800-356-7274

European Locations

PRODUCTION FACILITIES

ALTO Danmark A/S, Aalborg
Blytaekkervej 2
DK-9000 Aalborg
+45 72 18 21 00

ALTO Danmark A/S, Hadsund
Industrikvarteret
DK-9560 Hadsund
+45 72 18 21 00

SALES SUBSIDIARIES

ALTO US - Canada, Ontario (Canada)
4080 B Sladeview Crescent Unit 1
Mississauga, Ontario L5L 5Y5
(905) 569 0266

ALTO Overseas Inc., Sydney (Australia)
1B/8 Resolution Drive
Caringbah NSW 2229
+61 2 9524 6122

ALTO Cleaning Systems Asia Pte Ltd., Singapore
No. 17 Link Road
Singapore 619034
+65 268 1006

ALTO Deutschland GmbH, Bellenberg (Germany)
Guido-Oberdorfer-Straße 2-8
89287 Bellenberg
+49 0180 5 37 37 37

ALTO Cleaning Systems (UK) Ltd., Penrith
Gilwilly Industrial Estate
Penrith
Cumbria CA11 9BN
+44 1768 868 995

ALTO France S.A. Strasbourg
B.P. 44, 4 Place d'Ostwald
F-67036 Strasbourg
Cedex 2
+33 3 8828 8400

ALTO Nederland B.V.
Postbus 65
3370 AB Hardinxveld-Giessendam
The Netherlands
+31 184 677 200

ALTO Sverige AB, Molndal (Sweden)
Aminogatan 18
Box 4029
S-431 04 Molndal
+46 31 706 73 00

ALTO Norge A/S, Oslo (Norway)
Bjornerudveien 24
N-1266
+47 2275 1770

Clarke® U.S. WARRANTY

This Clarke Industrial/Commercial Product is warranted to be free from defects in materials and workmanship under normal use and service for a period of one year from the date of purchase, when operated and maintained in accordance with Clarke's Maintenance and Operations instructions.

This warranty is extended only to the original purchaser for use of the product. It does not cover normal wear parts such as electrical cable, rubber parts, hoses and motor brushes.

If difficulty develops with the product, you should:

- (a). Contact the nearest authorized Clarke repair location or contact the Clarke Service Operations Department, 2100 Highway 265, Springdale, Arkansas 72764, for the nearest authorized Clarke repair location. Only these locations are authorized to make repairs to the product under this warranty.
- (b). Return the product to the nearest Clarke repair location. Transportation charges to and from the repair location must be prepaid by the purchaser.
- (c). Clarke will repair the product and/ or replace any defective parts without charge within a reasonable time after receipt of the product.

Clarke's liability under this warranty is limited to repair of the product and/or replacement of parts and is given to purchaser in lieu of all other remedies, including INCIDENTAL AND CONSEQUENTIAL DAMAGES.

THERE ARE NO EXPRESS WARRANTIES OTHER THAN THOSE SPECIFIED HEREIN. THERE ARE NO WARRANTIES WHICH EXTEND BEYOND THE DESCRIPTION OF THE FACE HEREOF. NO WARRANTIES, INCLUDING BUT NOT LIMITED TO WARRANTY OF MERCHANTABILITY, SHALL BE IMPLIED. A warranty registration card is provided with your Clarke product. Return the card to assist Clarke in providing the performance you expect from your new floor machine.

Clarke®, 2100 Highway 265, Springdale, Arkansas 72764.

Clarke® reserves the right to make changes or improvements to its machine without notice.

Always use genuine Clarke® Parts for repair.



**2100 Highway 265
Springdale, Arkansas, 72764**