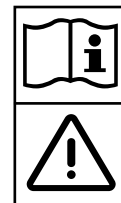
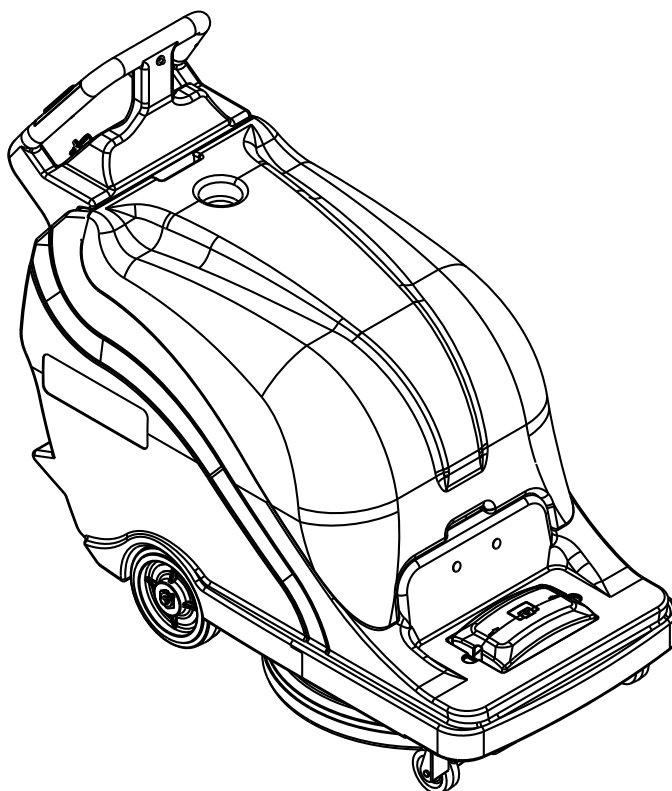

Advolution 20B

Advolution 20BT



Instructions For Use and Parts List Instrucciones para el uso y lista de piezas Guides d'utilisation et liste des pièces

Advance Models: 01594A (20BT 195AH), 01595A (20B 195AH),
01596A (20BT 234AH AGM), 01597A (20B 234AH AGM)

**Advance Models
(w/Active Vac):** 01584A (20BT 195AH), 01585A (20B 195AH),
01586A (20BT 234AH AGM), 01587A (20B 234AH AGM)

EN English (2 - 10)
ES Español (12 - 20)
FR Français (22 - 30)
PARTS LIST (31 - 59)



TABLE OF CONTENTS

Safety Instructions	3
Know Your Machine.....	4
Introduction.....	5
Parts and Service	5
Nameplate	5
Uncrating the Machine	5
Preparing the Machine for Use.....	5
Servicing Batteries	5
Battery Installation.....	7
Pad Installation.....	7
Dust Bag Installation	7
Adjusting Pad Pressure.....	7
Maintenance	8
Maintenance Schedule.....	8
Battery Maintenance	8
Troubleshooting.....	8
Machine Vibration.....	8
Swirl Marks.....	8
Reduced Running Time.....	8
Pad Assist Machine Does Not Pull Itself	8
Specifications	10
Section II Parts List.....	31

WARNING!

The Products sold with this Manual contain or may contain chemicals that are known to certain governments (such as the State of California, as identified in its Proposition 65 Regulatory Warning Law) to cause cancer, birth defects or other reproductive harm. In certain locations (including the State of California) purchasers of these Products that place them in service at an employment job site or a publicly accessible space are required by regulation to make certain notices, warnings or disclosures regarding the chemicals that are or may be contained in the Products at or about such work sites. It is the purchaser's responsibility to know the content of, and to comply with, any laws and regulations relating to the use of these Products in such environments. The Manufacturer disclaims any responsibility to advise purchasers of any specific requirements that may be applicable to the use of the Products in such environments.

IMPORTANT SAFETY INSTRUCTIONS

This machine is only suitable for commercial use, for example in hotels, schools, hospitals, factories, shops and offices other than normal residential housekeeping purposes.

When using this appliance, basic precautions should always be followed, including the following:



WARNING!

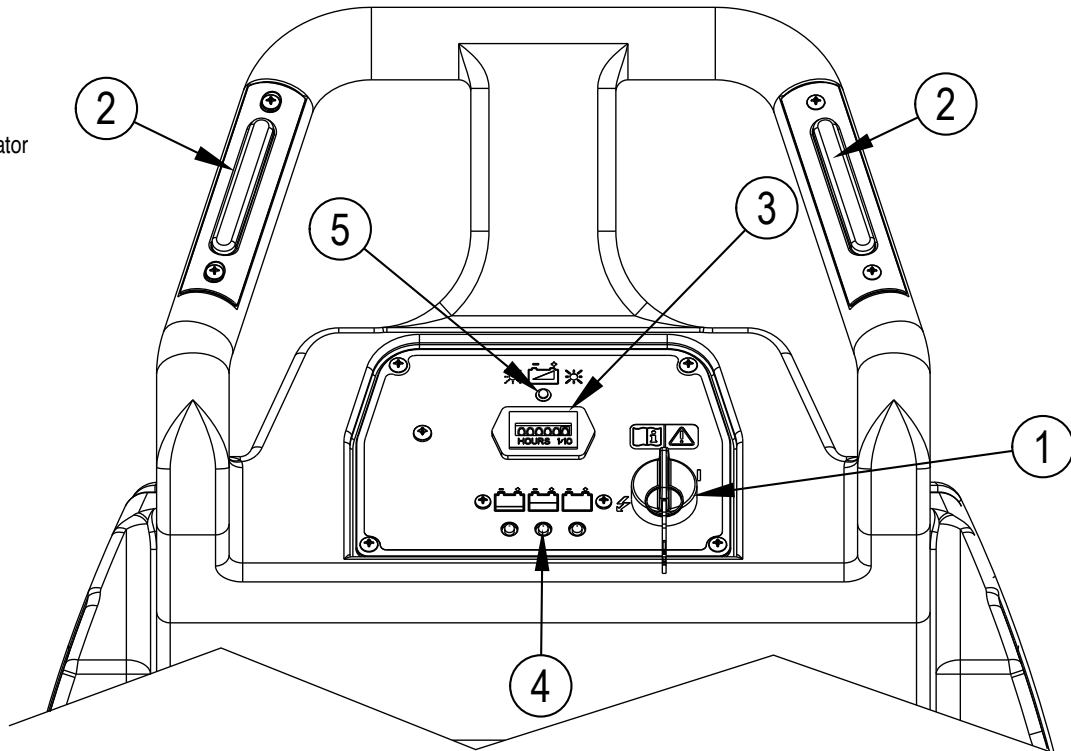
To reduce risk of fire, electric shock, injury or property damage, read all instructions before using.

- * Do not operate this machine until it is completely assembled. Inspect the machine carefully before operation.
- * Machines can cause an explosion when operated near flammable materials and vapors. Do not use this machine with or near fuels, grain dust, solvents, thinners, or other flammable materials.
- * Lead acid batteries generate gases which can cause an explosion. Keep sparks and flames away from batteries. Do not smoke around the machine. Charge the batteries only in an area with good ventilation. Make sure that you unplug the AC charger from the wall outlet before disconnecting from the machine.
- * Waste Disposal Method: Dispose as hazardous waste. Observe all federal, state and local environmental regulations for acid or lead scrap. Send batteries to lead smelter for reclamation following applicable federal, state and local regulations.
- * Working with batteries can be dangerous! Always wear eye protection and protective clothing when working near batteries. Remove all jewelry. Do not put tools or other metal objects across the battery terminals, or the tops of the batteries.
- * Using a charger with a damaged power cord could result in an electrocution. Do not use the charger if the power cord is damaged.
- * Operating this machine from anywhere other than the back of the machine could result in injury or damage.
- * This machine is heavy. Get assistance before attempting to transport or move it. Use two able persons to move the machine on a ramp or incline. Always move slowly. Do not turn the machine on a ramp. If operating machine on a gradient over 2%, do not stop, turn, or park.
- * Machines can topple over if guided over the edges of stairs or loading docks and cause injury or damage. Stop and leave this machine only on a level surface. When you stop the machine, turn the key "OFF".
- * Alterations or modifications not authorized by the manufacturer voids any and all warranties and liabilities and could result in damage to the machine or injury to the operator or other bystanders.
- * Maintenance and repairs performed by unauthorized personnel could result in damage or injury.
- * Keep the electrical components of the machine dry. Wipe the machine down after each use. For storage, keep the machine in a dry building.
- * Read all machine labels before attempting to operate. Make sure all of the labels and instructional information are attached or fastened to the machine.
- * Use only commercially available floor cleaners and waxes intended for machine operation. Do not use flammable materials.
- * When cleaning, servicing or maintaining the machine, replacing parts or converting to another function, the power source should be switched off.
- * Use of this machine to move other objects or to climb on could result in injury or damage. Do not use this machine as a step or furniture. Do not ride on this machine.
- * Your machine warranty will be voided if anything other than Nilfisk-Advance parts are used on your machine.

SAVE THESE INSTRUCTIONS

KNOW YOUR MACHINE

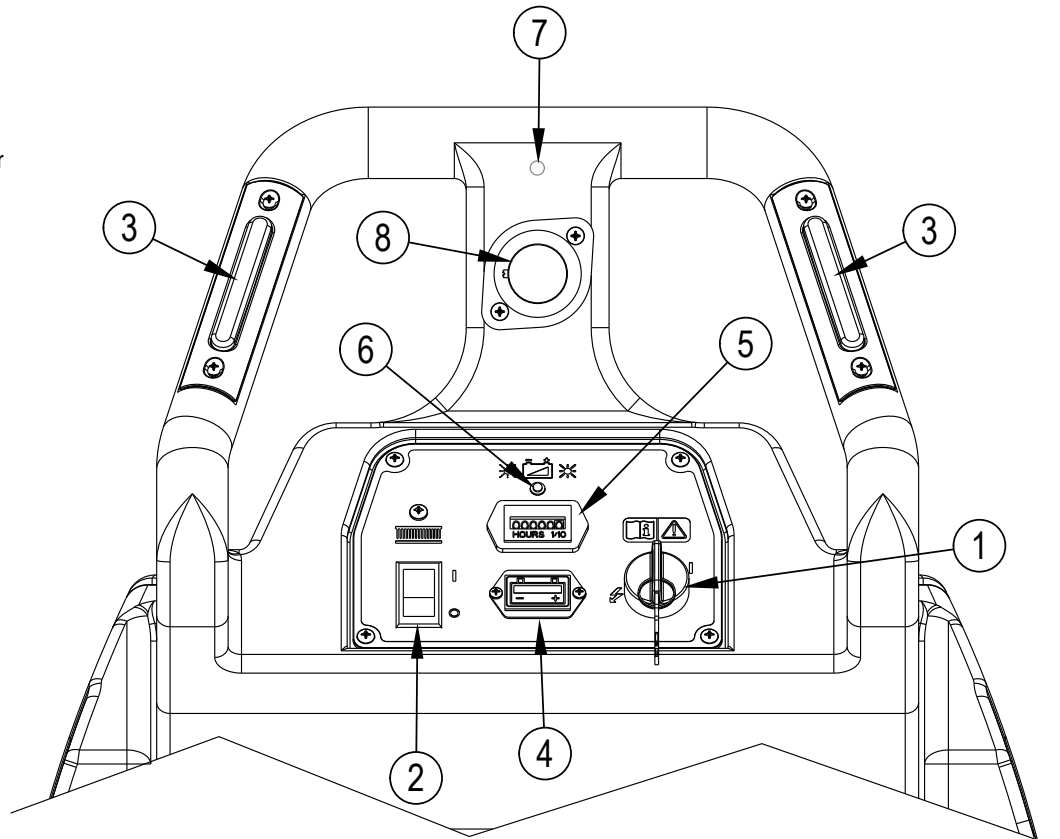
- 1 On / Off Key Switch
- 2 Pad Power Switches
- 3 Hour Meter
- 4 Battery Meter
- 5 Battery Charger Indicator



Advolution 20B

KNOW YOUR MACHINE

- 1 On/Off Key Switch
- 2 Pad Power Switch
- 3 Pad / Traverse Switches
- 4 Battery Meter
- 5 Hour Meter
- 6 Battery Charger Indicator
- 7 Traverse Reverse
- 8 Traverse Speed Control



Advolution 20BT

INTRODUCTION

This manual will help you get the most from your Nilfisk-Advance floor machine. Read it thoroughly before operating the machine.

This product is intended for commercial use only.

PARTS AND SERVICE

Repairs, when required, should be performed by your Authorized Nilfisk-Advance Service Center, who employs factory trained service personnel, and maintains an inventory of Nilfisk-Advance original replacement parts and accessories.

MODIFICATIONS

Modifications and additions to the cleaning machine which affect capacity and safe operation shall not be performed by the customer or user without prior written approval from Nilfisk-Advance Inc. Unapproved modifications will void the machine warranty and make the customer liable for any resulting accidents.

NAME PLATE

The Model Number and Serial Number of your machine are shown on the Nameplate on the bottom of the machine. This information is needed when ordering repair parts for the machine. Use the space below to note the Model Number and Serial Number of your machine for future reference.

MODEL NUMBER _____

SERIAL NUMBER _____

UNCRATE THE MACHINE

When the machine is delivered, carefully inspect the shipping carton and the machine for damage. If damage is evident, save the shipping carton so that it can be inspected. Contact the Nilfisk-Advance Customer Service Department immediately to file a freight damage claim (phone number is provided on the back cover of this manual).

PREPARING THE MACHINE FOR USE

WARNING!

Use extreme caution when working with batteries. Sulfuric acid in batteries can cause severe injury if allowed to contact the skin or eyes. Explosive hydrogen gas is vented from inside the batteries through openings in the battery caps. This gas can be ignited by any arc, spark or flame.

WHEN SERVICING BATTERIES....

- Remove all jewelry
- Do not smoke
- Wear safety glasses
- Work in a well-ventilated area
- Do not allow tools to touch more than one battery terminal at a time.

CAUTION!

Electrical components in this machine can be severely damaged if the batteries are not installed and connected properly. Batteries should be installed by your local Nilfisk-Advance dealer or by a qualified electrician.

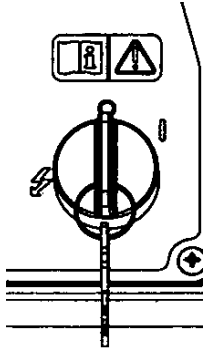
The Advolution 20B and 20BT may be used with three 12 volt 185 amp hour batteries or three 12 volt 234 amp hour AGM batteries.

CAUTION!

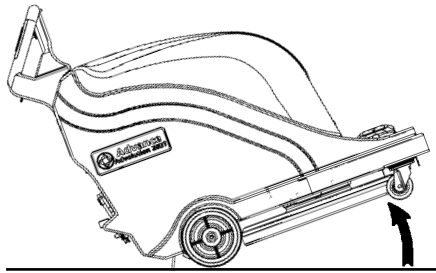
The battery charger must be reprogrammed when switching from lead acid to AGM batteries. See the Charger Manual for instructions.

C

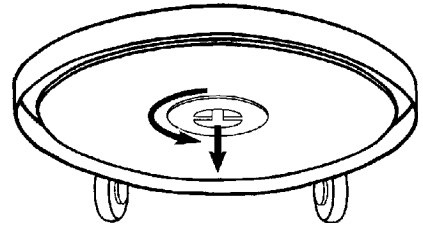
1



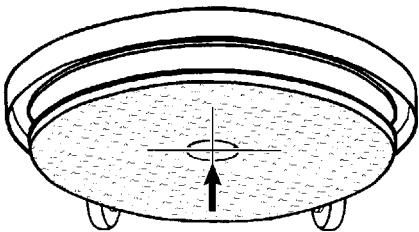
2



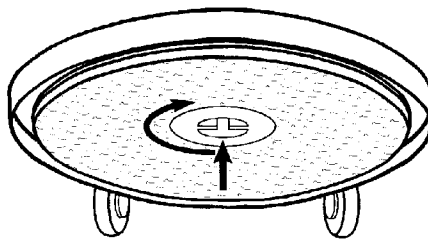
3



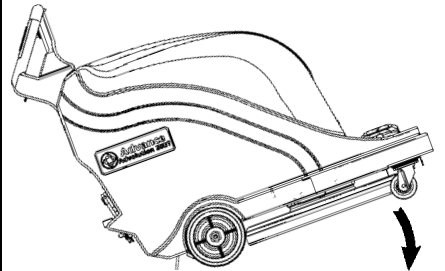
4



5



6

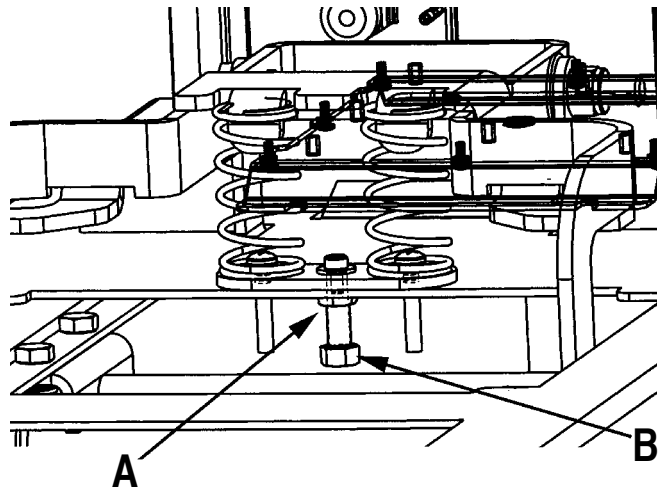


D

Remove Cover
Replace Dust Bag



E

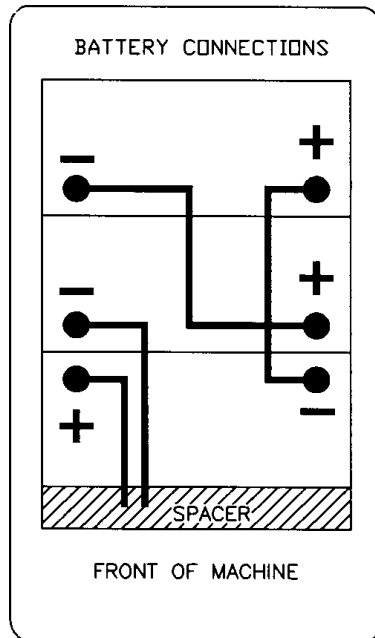


PREPARING THE MACHINE FOR USE

(B)-INSTALLING THE BATTERIES

- Carefully lift the batteries into the battery tray. Arrange as shown in Figure B.

B



- Make sure the key switch is in the OFF position.
- Install the battery cables as shown in figure B, with the terminals marked "P" on the positive battery posts and the terminals marked "N" on the negative battery posts. Position the cables so that the caps can be easily removed when it is necessary to add water to the batteries.
- Tighten the nut on each battery terminal just enough to keep the terminal from being turned on the battery post. Then tighten the nut one more full turn.
- Coat all the terminals and posts with grease, petroleum jelly or spray-on battery coating (available at most auto parts stores).
- Put on the black rubber "boots" over each of the terminals and use the plastic tie straps to hold them in place.
- Join the connector from the battery pack to the connector on the control panel.
- Reassemble machine.

NOTE: Charge the batteries before using the machine.

(C)-PAD INSTALLATION

Your local Nilfisk-Advance distributor can provide the proper pads and floor finishes for use with this machine.



CAUTION!

Using the wrong kind of pad on this machine can damage the floor. The pad must be centered properly on the pad holder to prevent machine vibration.

For pad installation, follow the steps below (see steps 1 - 6 in Figure C):

- Turn the key switch off.
- Put the machine in the position shown, to access the pad retainer.
- Go to the front of the machine. While holding the pad retainer with one hand, rotate the pad and pad driver counter clockwise to loosen the pad retainer.
- Remove the old pad and install a new one, being careful to center it on the outside diameter of the pad driver. **NOTE: Vibration could occur if you center the hole in the pad to the opening for the pad retainer. Always use a high quality pad rated to operate at 2000 rpm.**
- Retighten the pad retainer as tight as possible.
- Raise the back of the machine to lower the pad housing by lifting as shown.

(D)-DUST BAG INSTALLATION

Your local Nilfisk-Advance distributor can provide the proper pads and floor finishes for use with this machine.

IMPORTANT!

Install dust collector bag (part number 56201569) on top of control housing (see Figure D). The dust collection system will not operate properly if the collector bag is full or torn.

(E)-ADJUSTING PAD PRESSURE

The pad pressure is set at the factory for optimal burnishing with most pad and finish combinations. If unique pad or finish conditions require pad pressure adjustments, adjust by following the procedure below. **NOTE: Pad pressure adjustments should be performed by a qualified service technician.**

- Turn key switch off (O).
- From underneath burnisher, loosen jam nut (A).
- To decrease pad pressure, turn bolt (B) clockwise.
- To increase pad pressure, turn bolt (B) counterclockwise.
- Re-tighten jam nut (A).

MAINTENANCE

MAINTENANCE SCHEDULE

Maintenance Item	Daily	Monthly	Yearly
Charge Batteries	x		
Check/Replace Dust Bags	x		
Check/Replace Skirt	x		
Clean Pad	x		
Lubrication		x	
Check/Service Pad Motor Brushes		x	
Service Drive Motor Brushes			x

BATTERY MAINTENANCE

Charge the batteries each time the machine is used for 1 hour or longer, or whenever the Battery Meter reads in the red area.

To Charge the Batteries...

- 1 Remove cover.
- 2 Plug charger in.
- 3 Check the fluid level in all battery cells after charging the batteries. Add distilled water, if necessary, to bring the fluid level up to the bottom of the filler tubes.



CAUTION!

To avoid damage to floor surfaces, wipe water and acid from the top of the batteries after charging.



CAUTION!

Acid can spill onto the floor if the batteries are overfilled.

IMPORTANT

Motor damage resulting from failure to service carbon brushes is not covered under warranty. See the Limited Warranty statement.

TROUBLESHOOTING

MACHINE VIBRATION

- 1 Pad is not centered properly.
- 2 Defective pad. Replace.

SWIRL MARKS

- 1 Pad is too aggressive for the floor finish.
- 2 Pad is dirty, Check and replace.

REDUCED RUNNING TIME

- 1 Battery needs to be charged.
- 2 Batteries need water. Add just enough to cover the plates in each cell. Then charge the batteries and check the water level again.

(E) PAD ASSIST MACHINE DOES NOT PULL ITSELF

For pad assist adjustment, follow the steps below (see steps 1 - 6 in Figure E):

- 1 Tip burnisher back as shown to gain access to the pivot bracket.
- 2 Remove the dust bag.
- 3 Pull down on the dust skirt to gain access to the adjustment hardware.
- 4 Loosen pivot bracket adjustment hardware and pivot bolts and rotate bracket counterclockwise to increase pad assist.
- 5 Pivot bracket has slots to allow adjustment.
- 6 Adjust pivot bracket so pad is tipped down towards the RH side of the machine to increase the pad assist. Then retighten the adjustment hardware.

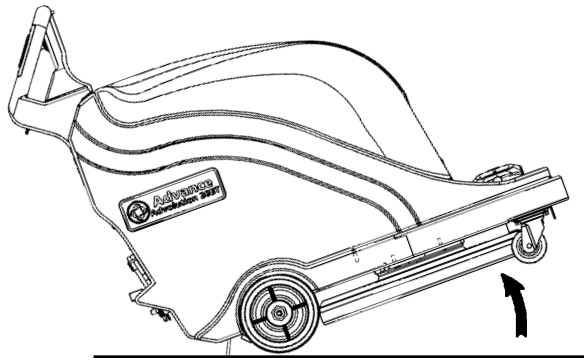


CAUTION!

Pad assist will vary depending on the aggressiveness of pad and the floor finish. If the deck is angled too much it could result in the pad burning the floor on the RH side.

E

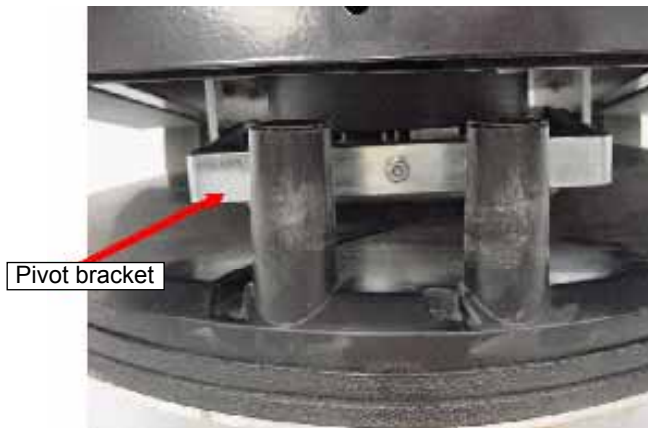
1



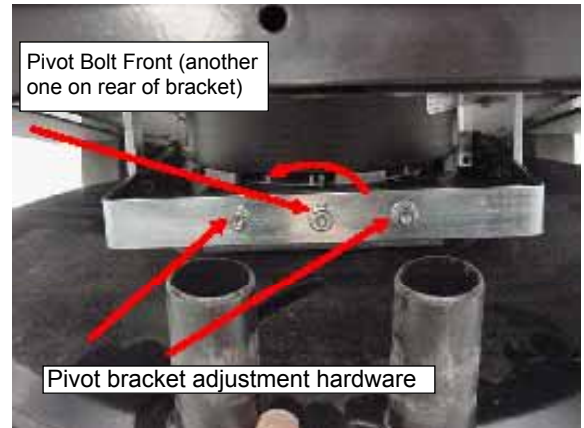
2



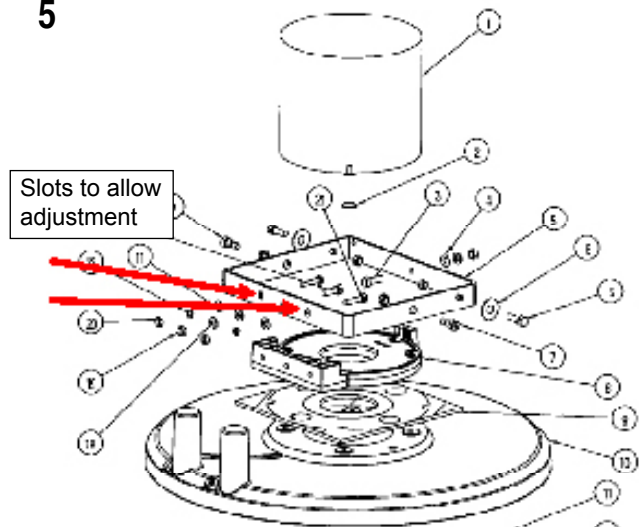
3



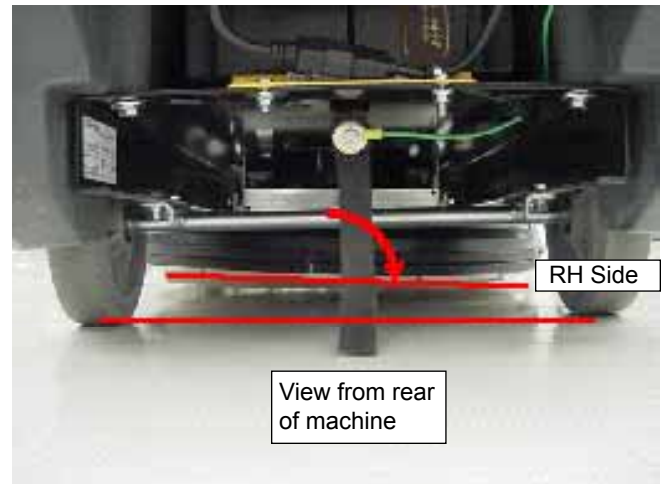
4



5



6



SPECIFICATIONS

SPECIFICATIONS:

Model	Advolution 20B	Advolution 20BT	Advolution 20B	Advolution 20BT
Model Number	01595A 01585A (w/active vac)	01594A 01584A (w/active vac)	01597A 01587A (w/active vac)	01596A 01586A (w/active vac)
Power Supply	36 volt 200AH	36 volt 200AH	36 volt 234AH AGM	36 volt 234AH AGM
Motor, Pad	2.5 hp (1.9 kW) 65 amp	2.5 hp (1.9 kW) 65 amp	2.5 hp (1.9 kW) 65 amp	2.5 hp (1.9 kW) 65 amp
Motor Traction		.5 hp PM / .37 kW		.5 hp PM / .37 kW
Drive System	Pad Assist	Direct Drive	Pad Assist	Direct Drive
Pad	20" (51cm)	20" (51cm)	20" (51cm)	20" (51cm)
Pad Speed	2000 rpm	2000 rpm	2000 rpm	2000 rpm
Pad Pressure	0-30 lbs.	0-30 lbs	0-30 lbs.	0-30 lbs
Speed, Forward	Pad Assist	0 - 240 ft/min.	Pad Assist	0 - 240 ft/min.
Speed, Reverse	Pad Assist	0 - 170 ft/min.	Pad Assist	0 - 170 ft/min.
Vibration	<2.5 m/s ²	<2.5 m/s ²	<2.5 m/s ²	<2.5 m/s ²
Sound Level (dbA)	68	68	68	68
Drive Wheel	1.62"x8.00" (4cmx20cm)	1.62"x8.00" (4cmx20cm)	1.62"x8.00" (4cmx20cm)	1.62"x8.00" (4cmx20cm)
Charger	36V, 25A, 85-265V/45-65Hz	36V, 25A, 85-265V/45-65Hz	36V, 25A, 85-265V/45-65Hz	36V, 25A, 85-265V/45-65Hz
Length	50 inches (127cm)	50 inches (127cm)	50 inches (127cm)	50 inches (127cm)
Width	23 inches (58cm)	23 inches (58cm)	23 inches (58cm)	23 inches (58cm) Height
41.25 inches (105cm)	41.25 inches (105cm)	41.25 inches (105cm)	41.25 inches (105cm)	Burnishing Swath
20 inch (51cm)	20 inch (51cm)	20 inch (51cm)	20 inch (51cm)	
Polishing Rate	24,000 sq. ft./hr.	24,000 sq. ft./hr.	24,000 sq. ft./hr.	24,000 sq. ft./hr.
Weight (w/3 - 200AH)	487 lbs./ 221 kg	501 lbs./227 kg	600 lbs./ 272 kg	614 lbs./279 kg
Shipping Weight	584 lbs./265 kg	598 lbs./271 kg	697 lbs./316 kg	711 lbs./323 kg

INDICE

Instrucciones de seguridad.....	13
Conozca su máquina.....	14
Introducción.....	15
Piezas y servicio.....	15
Placa de identificación.....	15
Desempacar la máquina.....	15
Preparación de la máquina para su funcionamiento.....	15
Hacer el servicio de las baterías.....	15
Instalación de las baterías.....	17
Instalación de la almohadilla.....	17
Instalación de la bolsa de polvo.....	17
Ajustar la presión de la almohadilla.....	17
Mantenimiento.....	18
Programa de mantenimiento.....	18
Mantenimiento de las baterías.....	18
Resolución de problemas.....	18
Vibración de la máquina.....	18
Marcas de remolinos.....	18
Tiempo de ejecución reducido.....	18
La máquina auxiliar del disco no se tracciona a sí misma.....	18
Especificaciones.....	20
Sección II Listado de piezas.....	31

ADVERTENCIA:

Los Productos a la venta en este Manual contienen, o pueden contener, productos químicos reconocidos por algunos gobiernos (como el Estado de California, según lo indica en su Proposición 65, Ley de Advertencia Regulatoria) como causantes de cáncer, defectos de nacimiento u otros daños reproductivos. En algunas jurisdicciones (incluido el Estado de California), los compradores de estos Productos que los coloquen en servicio en un emplazamiento laboral o en un espacio de acceso público tienen la obligación regulatoria de realizar determinados avisos, advertencias o divulgaciones respecto de los productos químicos contenidos o posiblemente contenidos en los Productos utilizados en tal lugar. Es la responsabilidad del comprador conocer y cumplir con todas las leyes y reglamentaciones relacionadas con el uso de estos Productos en tales entornos. El Fabricante niega toda responsabilidad de informar a los compradores sobre requisitos específicos que pueden regir el uso de los Productos en tales entornos.

INSTRUCCIONES DE SEGURIDAD PARA EL OPERADOR

Esta máquina únicamente es apropiada para el uso comercial, por ejemplo, en hoteles, escuelas, hospitales, fábricas, negocios y oficinas y no para ser utilizada en la limpieza doméstica normal.

Al usar este artefacto eléctrico es necesario tomar precauciones básicas en todo momento, incluyendo:

¡ADVERTENCIA!

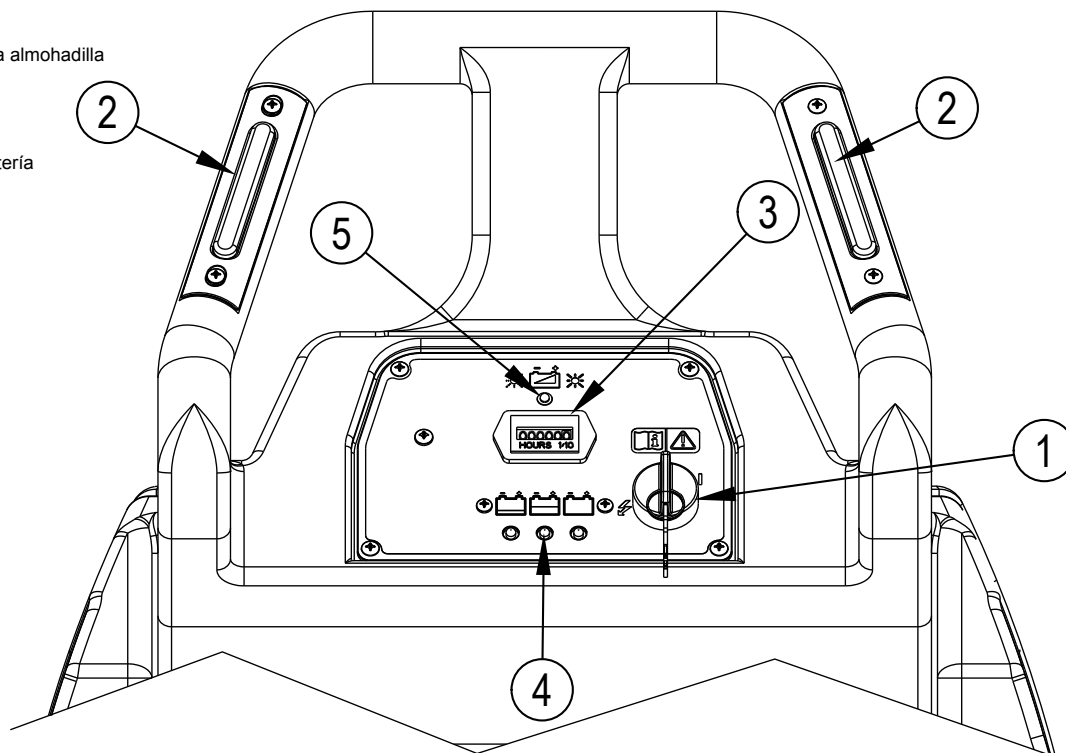
Antes de usar el artefacto, lea todas las instrucciones a fin de reducir el riesgo de incendio, descarga eléctrica, lesiones o daño a la propiedad.

- * No opere la máquina antes de que esté completamente montada. Compruebe cuidadosamente el estado de la máquina antes de cada utilización.
- * Riesgo de explosión y de incendio. No use nunca la máquina con o cerca de combustibles, polvo de granos, disolventes, diluyentes u otros materiales inflamables.
- * Las baterías ácido/plomo generan gases que pueden originar una explosión. Procure que no haya ninguna llama ni chispa cerca de las baterías. No fume. Cargue las baterías sólo en un local perfectamente ventilado. Antes de desconectar el cargador de la máquina, compruebe que el enchufe del cargador CA está desconectada de la toma de red.
- * Método de eliminación de desechos: Eliminar como desechos peligrosos. Cumplir con todas las reglamentaciones ambientales nacionales, provinciales/estatales y locales con relación a los desechos de plomo y ácidos. Enviar las baterías a una fundición de plomo para su reciclaje de acuerdo con las reglamentaciones nacionales, provinciales/estatales y locales aplicables.
- * Cuando trabaja cerca de las baterías, siempre lleve gafas o ropas de protección. Quite su reloj y sus joyas. No introduzca ninguna herramienta ni otros objetos metálicos entre las bornas o sobre la tapa de las baterías.
- * Riesgo de electrocución si Ud. utilice un cargador cuyo cable de alimentación está dañado. No use nunca un cargador cuyo cable de alimentación está dañado.
- * La única posición correcta para el operador es la posición de pie, detrás de la máquina.
- * Esta máquina pesa. No intente transportarla o desplazarla sin la ayuda de otra persona. Se necesitan dos personas para desplazarla sobre una rampa de carga. Siempre desplace la máquina despacio. No gire la máquina sobre una rampa. No deje nunca la máquina parada sobre un plano inclinado. Si está manejando la máquina en una superficie con una pendiente superior a 2%, no la detenga, gire ni estacione.
- * Las máquinas pueden volcar y causar lesiones o daños si se las conduce por bordes de escalones o de muelles de carga. Detenga la máquina y déjala solamente en superficies uniformes. Cuando detenga la máquina coloque todos los interruptores en la posición "OFF" (apagado).
- * Las alteraciones o modificaciones no autorizadas por el fabricante invalidan cualquier garantía y responsabilidad y podrían ocasionar daños en la máquina o lesiones en el operador o cualquier otra persona que se encuentre en el lugar.
- * Sólo el personal cualificado y autorizado por Nilfisk Advance puede efectuar el mantenimiento y las reparaciones de nuestras máquinas. ¡ Se trata de su seguridad !
- * Procure que el sistema eléctrico sea siempre seco. Seque cuidadosamente la máquina después de cada utilización. Guarde la máquina en un local seco.
- * Es indispensable leer todas las instrucciones escritas en la máquina antes de la primera utilización. Compruebe que todos los adhesivos y todas las instrucciones estén colocados en los sitios previstos.
- * Use sólo productos de limpieza y ceras especialmente concebidos para máquinas. No use productos inflamables.
- * Durante la limpieza, la reparación o el mantenimiento de la máquina, durante el reemplazo de partes o durante el cambio de función, debe desconectarse la fuente de energía.
- * No use la máquina como taburete o escabel. No úsela como medio de transporte o mueble. Corre el peligro de causar lesiones o daños materiales
- * Se anulará la garantía de la máquina si se utiliza piezas que no son piezas originales Nilfisk-Advance. Sólo use re-cambios Nilfisk-Advance.

GUARDE ESTAS INSTRUCCIONES

CONOZCA SU MÁQUINA

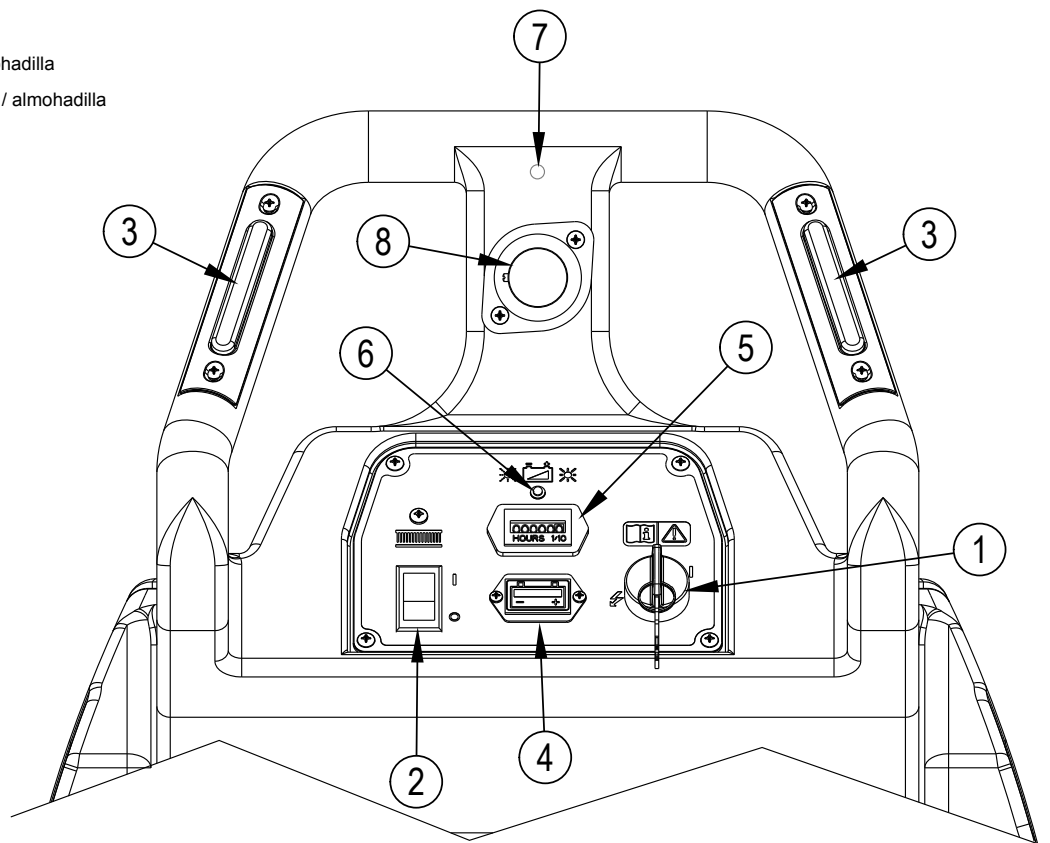
- 1 Interruptor de llave On/Off
(encendido/ apagado)
- 2 Interruptores de energía de la almohadilla
- 3 Cuentavueltas
- 4 Medidor de batería
- 5 Indicador del cargador de batería



Advolution 20B

CONOZCA SU MÁQUINA

- 1 Interruptor de llave On/Off
(encendido/ apagado)
- 2 Interruptor de energía de la almohadilla
- 3 Interruptores de desplazamiento / almohadilla
- 4 Medidor de batería
- 5 Cuentavueltas
- 6 Indicador del cargador de
batería
- 7 Marcha atrás
- 8 Control de velocidad de
desplazamiento



Advolution 20BT

INTRODUCTION

Este manual lo ayudará a aprovechar al máximo su máquina para pisos Nilfisk-Advance. Léalo a fondo antes de poner la máquina en funcionamiento.

Este producto está diseñado para uso comercial solamente.

PIEZAS Y MANTENIMIENTO

Cuando sea necesario realizar reparaciones, las mismas deben ser efectuadas por el Centro de Servicios autorizado de Nilfisk-Advance, el cual emplea personal de mantenimiento capacitado en fábrica y dispone de un inventario de piezas de recambio y accesorios originales Nilfisk-Advance.

MODIFICACIONES

Las modificaciones y los agregados a la máquina de limpieza que afecten su capacidad y su funcionamiento seguro no serán realizados por el cliente o el usuario sin la autorización previa y por escrito de Nilfisk-Advance Inc. Las modificaciones que no cuenten con la aprobación correspondiente anularán la garantía de la máquina y harán que el cliente sea responsable de cualquier accidente resultante.

PLACA DE IDENTIFICACIÓN

El número de modelo y el número de serie de su máquina aparecen en la placa de identificación ubicada en la parte inferior de la máquina. Es necesario contar con esta información para realizar pedidos de piezas de recambio para la máquina. Use el espacio provisto o a continuación para anotar el número de modelo y el número de serie de su máquina para referencia futura.

NÚMERO DE MODELO _____

NÚMERO DE SERIE _____

DESEMBALAJE DE LA MÁQUINA

Cuando reciba la máquina, inspeccione con cuidado la caja de embarque y la máquina, para verificar si hay algún daño. Si hay algún daño evidente, guarde la caja de embarque de modo que se la pueda inspeccionar. Comuníquese con el Departamento de Atención al Cliente de Nilfisk-Advance inmediatamente para presentar un reclamo por daños en el flete (el número de teléfono aparece en la contratapa de este manual.)

PREPARACIÓN DE LA MÁQUINA PARA SU FUNCIONAMIENTO

¡ADVERTENCIA!

Tome suma precaución cuando trabaje con baterías. El ácido sulfúrico en las baterías puede causar graves lesiones si entra en contacto con la piel o los ojos. Las baterías emiten gas hidrógeno explosivo a través de las aberturas de las tapas. Este gas puede encenderse con cualquier arco eléctrico, chispa o llama.

CUANDO HAGA EL SERVICIO DE LAS BATERÍAS...

- Sáquese todas las joyas.
- No fume
- Use gafas de seguridad
- Trabaje en un área bien ventilada.
- No permita que las herramientas toquen más de un terminal de la batería a la vez.

¡PRECAUCIÓN!

Los componentes eléctricos de esta máquina pueden sufrir serios daños si las baterías no se instalan y conectan de manera adecuada. Las baterías deben ser instaladas por su representante local de Nilfisk-Advance o por un electricista calificado.

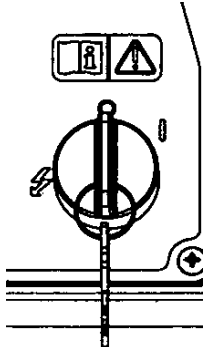
Advolution 20B y 20BT pueden usarse con tres baterías de 12 voltios 185 amperios hora o tres baterías AGM de 12 voltios 234 amperios hora.

¡PRECAUCIÓN!

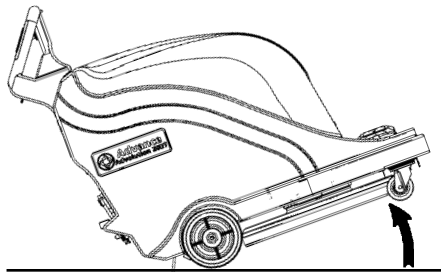
Es necesario reprogramar el cargador de baterías cuando se pasa de baterías de plomo a baterías AGM. Consulte el Manual del Cargador para ver las instrucciones correspondientes.

C

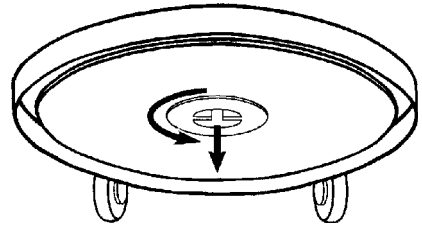
1



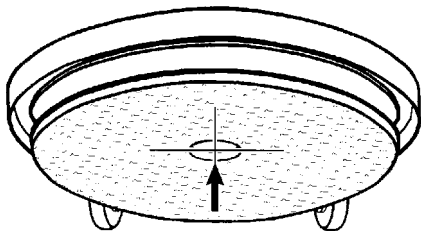
2



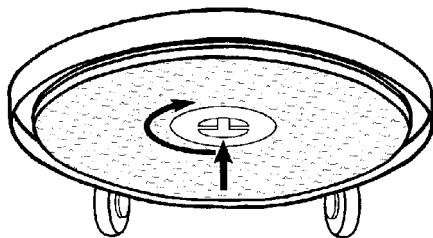
3



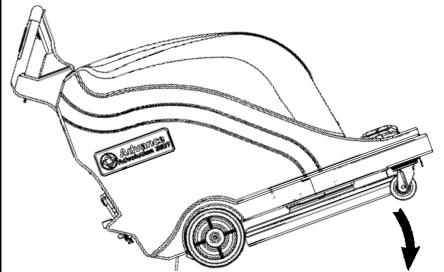
4



5

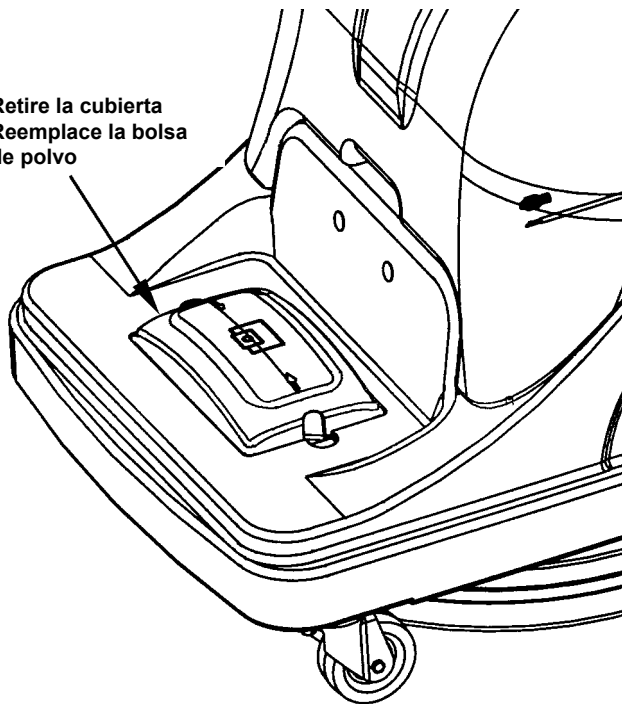


6

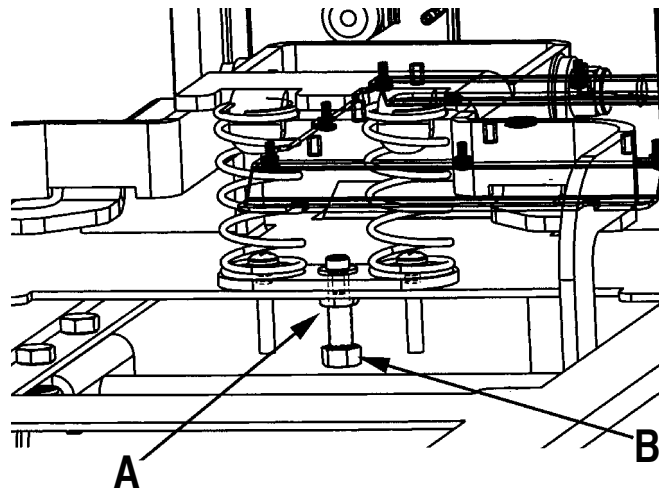


D

Retire la cubierta
Reemplace la bolsa
de polvo



E

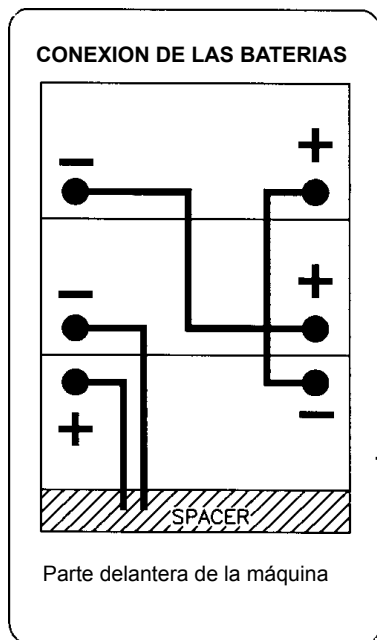


PREPARACIÓN DE LA MÁQUINA PARA SU FUNCIONAMIENTO

(B)-INSTALACIÓN DE LAS BATERÍAS

- 1 Coloque cuidadosamente las baterías en la bandeja de baterías. Ordénelas de la forma que se muestra en la figura B.

B



- 2 Asegúrese de que el interruptor de llave se encuentre en la posición "OFF" (O).
- 3 Instale los cables de la batería como se muestra en la figura B, con los terminales marcados con la letra "P" en los bornes positivos de la batería y los terminales marcados con la letra "N" en los bornes negativos. Coloque los cables de manera tal que se puedan quitar las tapas fácilmente cuando sea necesario agregar agua a las baterías.
- 4 Apriete la tuerca de cada terminal de la batería justo lo suficiente como para evitar que el terminal se vuelva sobre el borne de la batería. Luego apriete la tuerca una vuelta más.
- 5 Cubra todos los terminales y los bornes con grasa, vaselina o rocíe sobre el revestimiento de la batería (disponible en la mayoría de los negocios de repuestos).
- 6 Coloque las "botas" de goma negra sobre cada uno de los terminales y utilice las tiras de amarres plásticos para sostenerlas en su lugar.
- 7 Una el conector del paquete de baterías al conector del panel de control.
- 8 Vuelva a ensamblar la máquina.

NOTA : Cargue las baterías antes de utilizar la máquina.

(C)-INSTALACIÓN DE LA ALMOHADILLA

Su distribuidor local de Nilfisk-Advance le puede proveer las almohadillas y los acabados de piso adecuados para utilizar con esta máquina.



¡PRECAUCIÓN!

Si utiliza un tipo de almohadilla equivocada en esta máquina, puede dañar el piso. La almohadilla debe estar correctamente centrada en el soporte para evitar que la máquina vibre.

Para instalar la almohadilla, siga los pasos de abajo (ver pasos 1 - 6 en la figura C):

- 1 Gire el interruptor de llave hasta la posición "OFF" (apagado).
- 2 Coloque la máquina en la posición que se muestra (2) para tener acceso al retenedor de almohadilla.
- 3 Póngase delante de la máquina. Manteniendo con una mano la sujeción del disco, gire el disco y el portadisco en el sentido contrario de las agujas del reloj para aflojar la sujeción.
- 4 Extraiga el disco usado e instale uno nuevo, teniendo cuidado de centrarlo sobre el diámetro exterior del motor del disco. **NOTA: Podría ocurrir vibración si centra el orificio del disco en la abertura del retén del disco. Siempre utilice un disco de alta calidad adecuado para operar a 2000 rpm.**
- 5 Vuelva a apretar la sujeción al máximo.
- 6 Levante la parte trasera de la máquina para bajar el alojamiento del disco, tirando de las empuñaduras hacia arriba como indicado en la figura C (6).

(D)-INSTALACIÓN DE LA BOLSA DE POLVO

IMPORTANTE!

Instale la bolsa colectora de polvo (pieza número 56201569) encima del alojamiento del control (figura D). El sistema de recolección de polvo no funcionará correctamente si la bolsa colectora está llena o rota.

(E)-AJUSTE DE LA PRESIÓN DE LA ALMOHADILLA

La presión de la almohadilla se configura de fábrica para un bruñido óptimo con la mayoría de las combinaciones de almohadilla y acabado. Si existieran condiciones de acabado o de almohadilla únicas que requirieran ajustes en la presión de la almohadilla, realice los ajustes de acuerdo con el siguiente procedimiento. **NOTA: Un técnico calificado debe ser quien realice los ajustes de presión de la almohadilla.**

- 1 Gire el interruptor de llave hasta la posición "O" (apagado).
- 2 Desde abajo de la bruñidora, afloje la contratuerca (A).
- 3 Para disminuir la presión de la almohadilla, gire el perno (B) en el sentido de las agujas del reloj.
- 4 Para aumentar la presión de la almohadilla, gire el perno (B) en sentido contrario a las agujas del reloj.
- 5 Vuelva a ajustar la contratuerca (A).

MANTENIMIENTO

PROGRAMA DE MANTENIMIENTO

Elemento de mantenimiento	Diariamente	Mensualmente	Anualmente
Cargar las baterías	x		
Controlar/ reemplazar las bolsas de polvo	x		
Controlar/ reemplazar el faldón	x		
Limpiar la almohadilla	x		
Lubricación		x	
Controlar/ Hacer el servicio de los cepillos del motor de la almohadilla		x	
Hacer el servicio de los cepillos del motor de accionamiento			x

MANTENIMIENTO DE LA BATERÍA

Cargue las baterías cada vez que utilice la máquina durante una hora o más, o siempre que el medidor de baterías indique el área roja.

Para cargar las baterías...

- 1 Retirar la cubierta.
- 2 Enchufar el cargador.
- 3 Controlar el nivel de líquido de todos los elementos de las baterías después de cargarlas. Si es necesario, agregue agua destilada para llevar el nivel de líquido hasta la parte inferior de los tubos de llenado.



¡PRECAUCIÓN!

Para evitar que se dañen las superficies de los pisos, limpie el agua y el ácido de la parte de arriba de las baterías después de cargarlas.



¡PRECAUCIÓN!

El ácido puede derramarse en el piso si las baterías están sobrecargadas.

IMPORTANTE

La garantía no cubre los daños del motor que resulten de una falla al hacer el servicio de las escobillas de carbono. Consulte la declaración de Garantía Limitada.

RESOLUCIÓN DE PROBLEMAS

VIABRACIÓN DE LA MÁQUINA

- 1 La almohadilla no está centrada de manera adecuada.
- 2 Almohadilla defectuosa. Reemplácela

MARCAS DE REMOLINOS

- 1 La almohadilla es demasiado agresiva para el acabado del piso.
- 2 La almohadilla está sucia. Contrólela y reemplácela.

TIEMPO DE EJECUCIÓN REDUCIDO

- 1 Es necesario cargar la batería
- 2 Las baterías necesitan agua. Agregue justo el agua suficiente para cubrir las placas de cada elemento. Luego cargue las baterías y controle el nivel de agua nuevamente.

(E) LA MÁQUINA AUXILIAR DEL DISCO NO SE TRACCIONA A SÍ MISMA

Para el ajuste del dispositivo auxiliar del disco, siga los siguientes pasos (vea pasos 1 – 6 en la Figura E):

- 1 Incline la bruñidora hacia atrás, como se muestra en la ilustración, para tener acceso a la ménsula de pivote.
- 2 Retire la bolsa colectora de polvo.
- 3 Tire del faldón de polvo hacia abajo para tener acceso al hardware de ajuste.
- 4 Afloje el hardware de ajuste de la ménsula de pivote y los pernos de pivote y rote la ménsula en sentido contrario a las agujas del reloj para incrementar el dispositivo auxiliar del disco.
- 5 La ménsula de pivote tiene ranuras para permitir el ajuste.
- 6 Ajuste la ménsula de pivote de manera que el disco se incline de manera descendente hacia el lateral derecho de la máquina para incrementar el dispositivo auxiliar del disco. Luego, vuelva a apretar con tensión el hardware de ajuste.

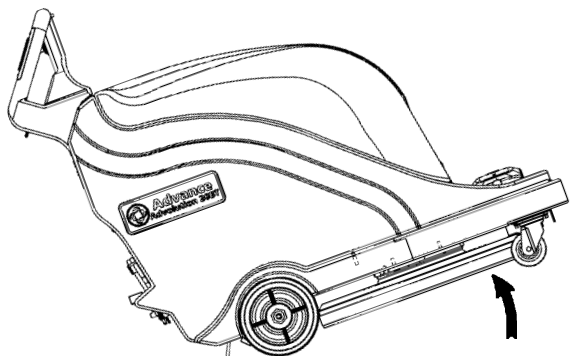


¡PRECAUCIÓN!

El dispositivo auxiliar del disco varía dependiendo de la agresividad del disco y del acabado del piso. Si la plataforma es demasiado angulada podría resultar en que el disco queme el piso sobre el lateral derecho.

E

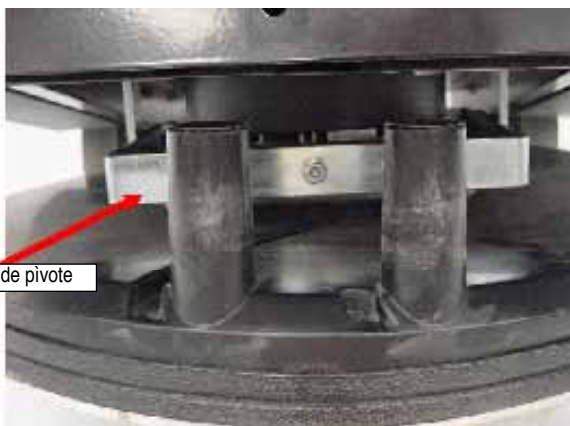
1



2

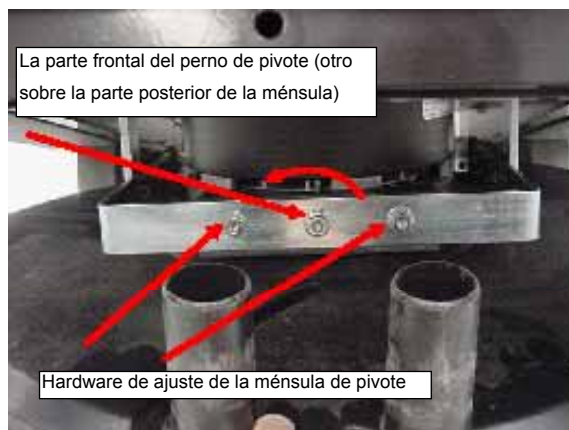


3



Ménsula de pivote

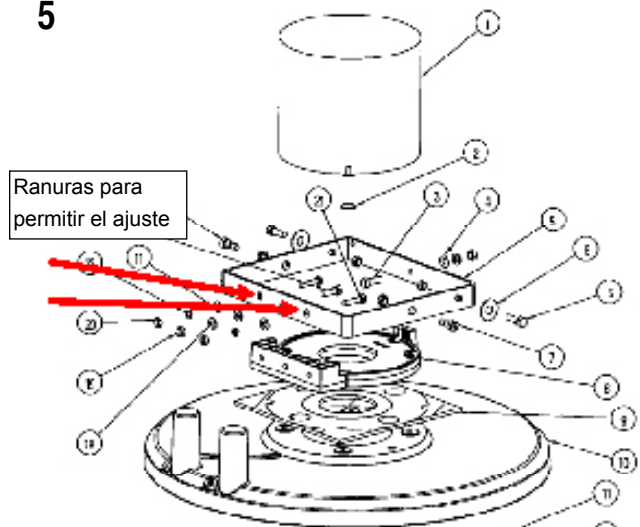
4



La parte frontal del perno de pivote (otro sobre la parte posterior de la ménsula)

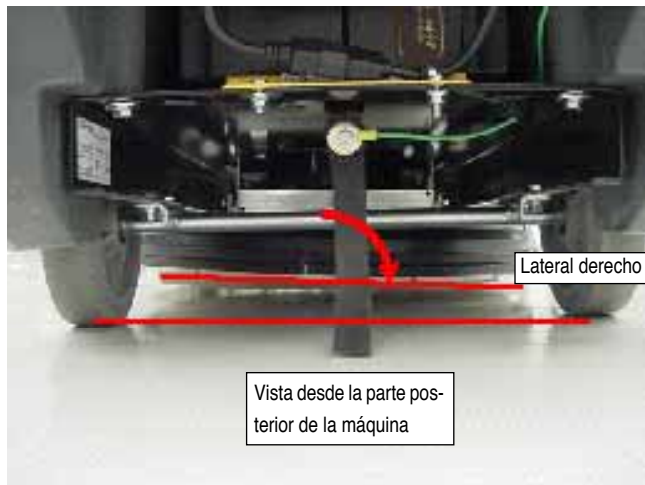
Hardware de ajuste de la ménsula de pivote

5



Ranuras para permitir el ajuste

6



Lateral derecho

Vista desde la parte posterior de la máquina

CARACTERÍSTICAS TÉCNICAS

Modelo	Advolution 20B	Advolution 20BT
Número modelo	01595A 01585A (con Vacío Activo)	01594A 01584A (con Vacío Activo)
Alimentación	36V 200 Ah	36V 200 Ah
Motor del disco	1,9 kW, 65 Amp	1,9 kW, 65 Amp
Tracción del motor		.5 potencia PM / .37 kW
Sistema conductor	con asistencia del disco	Accionamiento directo
Disco	51 cm	51 cm
Velocidad de rotación del disco	2.000 r/min.	2.000 r/min.
Presión del disco	0 - 13,6 kg	0 - 13,6 kg
Velocidad marcha adelante	(con asistencia del disco)	0 - 75 m/min.
Velocidad marcha atrás	(con asistencia del disco)	0 - 52 m/min.
Vibración	<2,5 m/s ²	<2,5 m/s ²
Nivel acústico (dba)	68	68
Rueda motriz	4 cm x 20 cm	4 cm x 20 cm
Cargador	36V, 25A, 85-265V/45-65Hz	36V, 25A, 85-265V/45-65Hz
Longitud	127 cm	127 cm
Anchura	58 cm	58 cm
Altura	105 cm	105 cm
Anchura faja pulida	51 cm	51 cm
Rendimiento	2.230 m ² /h	2.230 m ² /h
Peso (con 3-200Ah)	221 kg	227 kg
Peso entregado	265 kg	271 kg

Modelo	Advolution 20B	Advolution 20BT
Número modelo	01597A 01587A (con Vacío Activo)	01596A 01586A (con Vacío Activo)
Alimentación	36V 234 Ah (AGM)	36V 234 Ah (AGM)
Motor del disco	1,9 kW, 65 Amp	1,9 kW, 65 Amp
Tracción del motor		.5 potencia PM / .37 kW
Sistema conductor	con asistencia del disco	Accionamiento directo
Disco	51 cm	51 cm
Velocidad de rotación del disco	2.000 r/min.	2.000 r/min.
Presión del disco	0 - 13,6 kg	0 - 13,6 kg
Velocidad marcha adelante	(con asistencia del disco)	0 - 75 m/min.
Velocidad marcha atrás	(con asistencia del disco)	0 - 52 m/min.
Vibración	<2,5 m/s ²	<2,5 m/s ²
Nivel acústico (dba)	68	68
Rueda motriz	4 cm x 20 cm	4 cm x 20 cm
Cargador	36V, 25A, 85-265V/45-65Hz	36V, 25A, 85-265V/45-65Hz
Longitud	127 cm	127 cm
Anchura	58 cm	58 cm
Altura	105 cm	105 cm
Anchura faja pulida	51 cm	51 cm
Rendimiento	2.230 m ² /h	2.230 m ² /h
Peso (con 3-200Ah)	272 kg	279 kg
Peso entregado	316 kg	323 kg

INDEX

Consignes de sécurité	23
A la découverte de votre machine	24
Introduction.....	25
Liste des pièces et entretien.....	25
Plaque signalétique	25
Déballer la machine.....	25
Préparer la machine en vue de son utilisation.....	25
Entretien des batteries	25
Installation des batteries.....	27
Installation du disque.....	27
Installation du sac à poussières	27
Réglage de la pression du disque	27
Maintenance	28
Programme de maintenance	28
Maintenance des batteries	28
Dépannage	28
Vibrations de la machine	28
Marques circulaires	28
Temps de fonctionnement réduit	28
Le système d'assistance du disque de la machine ne se propulse pas lui-même	28
Spécifications	30
Section II Liste des pièces.....	31



AVERTISSEMENT !

Les Produits vendus avec le présent manuel contiennent ou peuvent contenir des produits chimiques reconnus par certains gouvernements (comme l'État de Californie, par le biais de la proposition de loi d'avertissement réglementaire 65) comme provoquant des cancers, des anomalies congénitales et autres dangers pour la reproduction. Dans certains endroits (comme l'État de Californie), les acheteurs de ces Produits, qui les utilisent sur un lieu de travail ou dans un espace public, ont l'obligation d'apposer certains avis, avertissements ou informations concernant les produits chimiques qui sont ou peuvent être contenus dans les Produits dans ces lieux ou aux alentours de ces lieux de travail. Il incombe à l'acheteur de connaître les dispositions de, et de respecter, toutes les lois et réglementations ayant trait à l'utilisation de ces Produits au sein de tels environnements. Le Fabricant rejette toute responsabilité d'informer les acheteurs concernant des exigences spécifiques qui peuvent s'appliquer à l'utilisation des Produits dans de tels environnements.

INSTRUCTIONS POUR LA SECURITE DE L'OPÉRATEUR

Cette machine est conçue uniquement pour une utilisation commerciale comme dans des hôtels, des écoles, des hôpitaux, des usines, des magasins et des bureaux, tout ce qui ne concerne pas les travaux ménagers.

Lors de l'utilisation de cette machine, il convient de toujours respecter des précautions élémentaires, dont les suivantes :



AVERTISSEMENT !

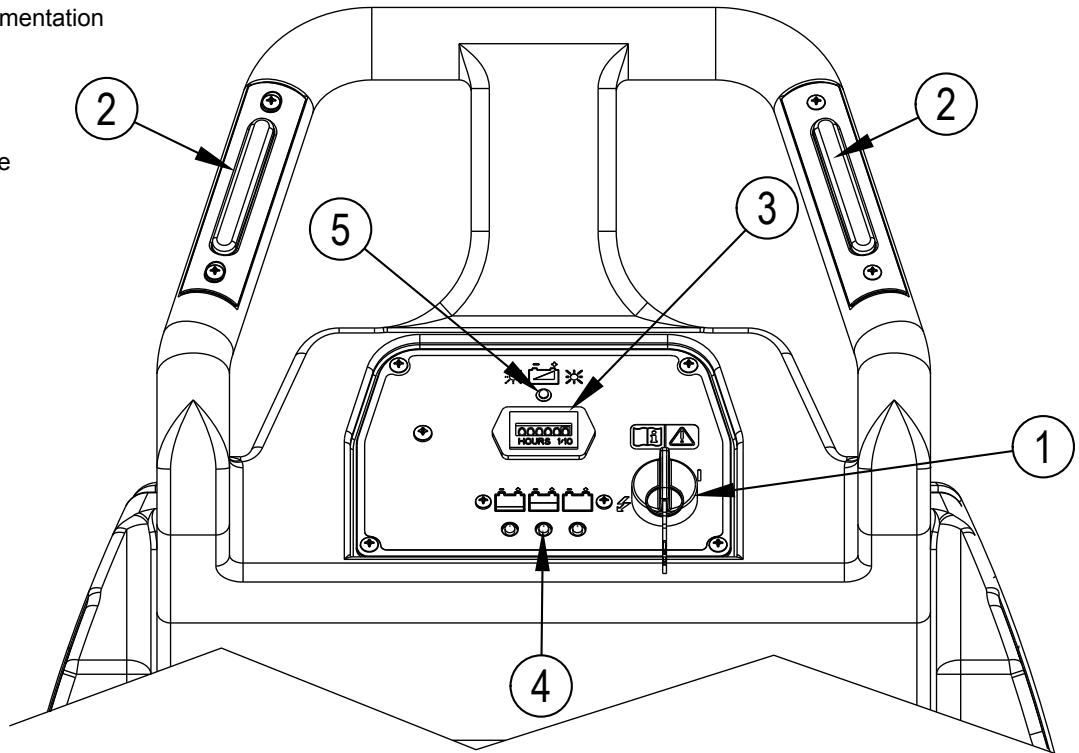
Pour réduire le risque d'incendie, de choc électrique, de blessure ou de dégâts de biens, lisez toutes les instructions avant d'utiliser cette machine.

- * Ne mettez pas la machine en service avant qu'elle ne soit complètement montée. Vérifiez soigneusement l'état de la machine avant chaque utilisation.
- * Risque d'explosion et d'incendie. N'utilisez jamais la machine avec ou près de combustibles, de grains de poussière, de solvants, de diluants ou d'autres matériaux inflammables.
- * Les batteries acide-plomb dégagent des gaz qui peuvent provoquer une explosion. Veillez à ce qu'il n'y ait ni étincelle ni flamme à proximité des batteries. **NE FUMEZ PAS.** Procédez à la charge des batteries dans un endroit bien ventilé. Avant de déconnecter le chargeur de la machine, vérifiez que la fiche du chargeur CA est bien débranchée de la prise réseau.
- * Mise au rebut: Considérer le produit comme un déchet dangereux. Suivre tous les règlements nationaux, provinciaux et locaux sur l'environnement concernant les déchets de plomb et les acides. Envoyer les batteries à une fonderie traitant le plomb en vue de récupération selon les règlements nationaux, provinciaux et locaux sur la valorisation des déchets.
- * Quand vous travaillez à proximité des batteries, portez toujours des lunettes ou des vêtements de protection. Enlevez montres et bijoux. N'introduisez pas d'outils ou autres objets métalliques entre les bornes ou sur le couvercle des batteries.
- * Risque d'électrocution si vous utilisez un chargeur dont le câble d'alimentation est endommagé. N'utilisez jamais un chargeur dont le câble d'alimentation est endommagé.
- * La seule position correcte pour l'opérateur est debout, derrière la machine. Toute autre position de conduite risque de provoquer des blessures ou des dégâts.
- * Cette machine est lourde. Faites-vous aider avant d'essayer de la transporter ou de la déplacer. Faites appel à deux personnes solides pour la déplacer le long d'une rampe ou d'un plan incliné. Procédez toujours en douceur. Ne retournez pas la machine sur une rampe. Lors d'un transfert, ne vous arrêtez pas et ne laissez pas la machine toute seule sur une rampe ou un plan incliné. En cas d'utilisation de la machine sur une pente de degré supérieur à 2%, ne pas s'arrêter, tourner ou stationner.
- * La machine peut basculer si elle est en porte-à-faux sur un escalier ou une rampe de chargement et provoquer des blessures ou des dégâts matériels. N'abandonnez la machine que si vous l'avez arrêtée sur une surface plane et si vous avez placé l'interrupteur principal à clé sur "O".
- * Les modifications et changements qui n'ont pas été expressément autorisés par le fabricant annulent toute garantie et peuvent endommager la machine ou blesser l'opérateur ou d'autres personnes se trouvant à proximité.
- * Seul un personnel qualifié a le droit d'effectuer les réparations et l'entretien de nos machines. Il y va de votre sécurité!
- * Veillez à ce qu'il soit toujours bien sec. Essuyez la machine après utilisation. Entrez la machine à l'abri de l'humidité.
- * Il est indispensable de lire toutes les indications figurant sur la machine avant de procéder à la mise en service. Vérifier que tous les adhésifs et toutes les instructions sont placés aux endroits corrects.
- * Seuls des nettoyants et cires du commerce spéciaux pour machines peuvent être utilisés. Ne pas utiliser de produits inflammables.
- * Lors du nettoyage, de la réparation ou de l'entretien des machines, du remplacement de pièce ou de changement de fonction, le commutateur devrait être en position d'arrêt.
- * Ne pas utiliser cette machine comme tabouret ou escabeau. Ne pas l'utiliser comme moyen de transport ou comme meuble. Risque de blessures ou de dégâts.
- * La garantie sera annulée si d'autres pièces que les pièces d'origine Nilfisk-Advance sont montées sur la machine.

CONSERVEZ CES CONSIGNES

A LA DECOUVERTE DE VOTRE MACHINE

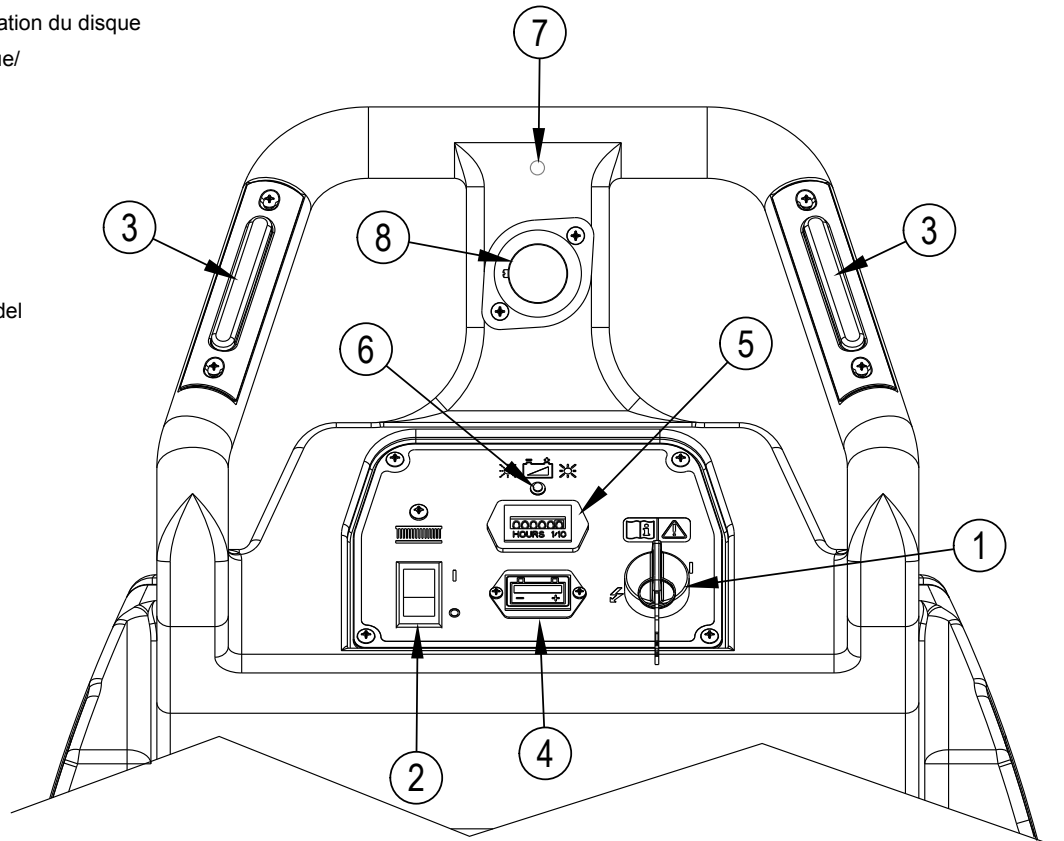
- 1 Commutateur On / Off
- 2 Commutateurs d'alimentation du disque
- 3 Compteur d'heure
- 4 Cadran de batterie
- 5 Indicateur de charge de la batterie



Advolution 20B

A LA DECOUVERTE DE VOTRE MACHINE

- 1 Commutateur On / Off
- 2 Commutateur d'alimentation du disque
- 3 Commutateurs de disque/ déplacement
- 4 Cadran de batterie
- 5 Compteur d'heure
- 6 Indicateur de charge de la batterie
- 7 Marche arrière
- 8 Commande de vitesse del déplacement



Advolution 20BT

INTRODUCTION

Ce manuel vous permettra de tirer le maximum de profit de votre machine Nilfisk-Advance de nettoyage de sols. Lisez-le attentivement avant d'utiliser la machine.

Ce produit est conçu pour un usage commercial uniquement.

PIÈCES ET ENTRETIEN

Les réparations, lorsqu'elles sont requises, devront être réalisées par votre centre d'entretien agréé Nilfisk-Advance qui emploie un personnel d'entretien formé en usine, et stocke un inventaire de pièces de remplacement et d'accessoires originaux Nilfisk-Advance.

ALTÉRATIONS

Les altérations et ajouts d'éléments à la machine de lavage, qui affectent ses capacités et son fonctionnement sécurisé, ne doivent pas être réalisés sans le consentement préalable et écrit de Nilfisk-Advance Inc. Toute altération non approuvée annulera la garantie de la machine. En outre, le client sera entièrement responsable des accidents associés.

PLAQUE SIGNALÉTIQUE

Le numéro du modèle et numéro de série de votre machine sont indiqués sur la plaque signalétique audessous de la machine. Ces informations sont nécessaires lorsque vous commandez des pièces de remplacement pour la machine. Utilisez l'espace ci-dessous pour noter le numéro du modèle et numéro de série de votre machine pour consultation ultérieure.

NUMÉRO DU MODÈLE _____

NUMÉRO DE SÉRIE _____

DÉBALLER LA MACHINE

Lorsque la machine vous est livrée, contrôlez minutieusement que la boîte d'emballage et la machine ne présentent aucun dommage. Si elles sont endommagées, conservez la boîte d'emballage afin qu'elle puisse être inspectée. Contactez immédiatement le service d'entretien Nilfisk-Advance pour déposer une demande de remboursement des dégâts de transport (le numéro de téléphone est indiqué au dos de ce manuel).

PREPARER LA MACHINE EN VUE DE SON UTILISATION

AVERTISSEMENT !

Soyez très prudent lorsque vous manipulez les batteries. L'acide sulfurique contenu dans les batteries peut engendrer des blessures graves s'il entre en contact avec la peau ou les yeux. De l'hydrogène explosif sort de l'intérieur des batteries par les orifices ménagés dans les bouchons de batterie. Ce gaz peut être allumé par un arc, une étincelle ou une flamme.

LORS DE L'ENTRETIEN DES BATTERIES....

- Retirez tous vos bijoux
- Ne fumez pas
- Portez des lunettes de protection
- Travaillez dans un espace bien aéré
- Ne laissez pas des outils entrer en contact avec les deux bornes de la batterie en même temps.

ATTENTION !

Les composants électriques de cette machine peuvent être gravement endommagés si les batteries ne sont pas installées et branchées correctement. Les batteries doivent être installées par votre revendeur Nilfisk-Advance local ou par un électricien qualifié.

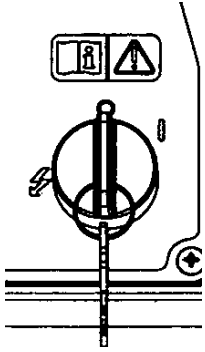
Les modèles Advolution 20B et 20BT peuvent être utilisés avec trois batteries de 12 volt 185 amp ou trois batteries de 12 volt 234 amp AGM.

ATTENTION !

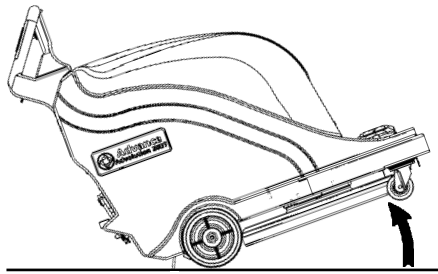
Le chargeur de batterie doit être reprogrammé lors d'un changement des batteries plomb-acide pour des batteries AGM. Se référer au Manuel du chargeur pour les consignes.

C

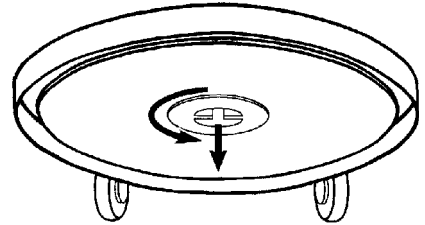
1



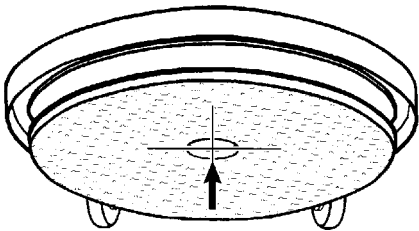
2



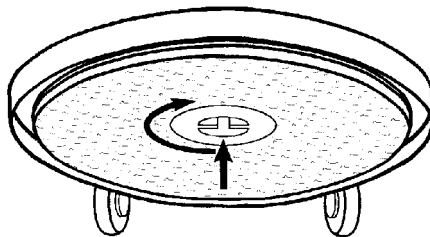
3



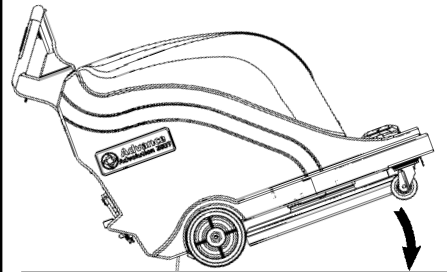
4



5

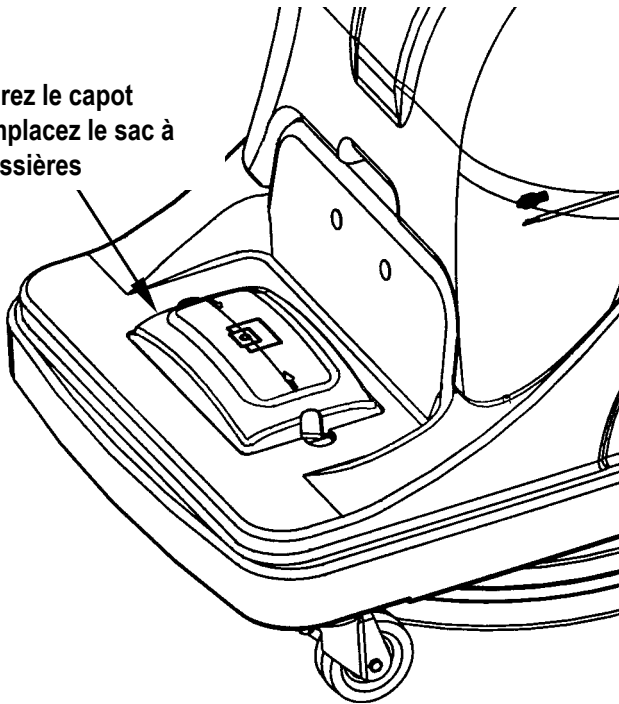


6

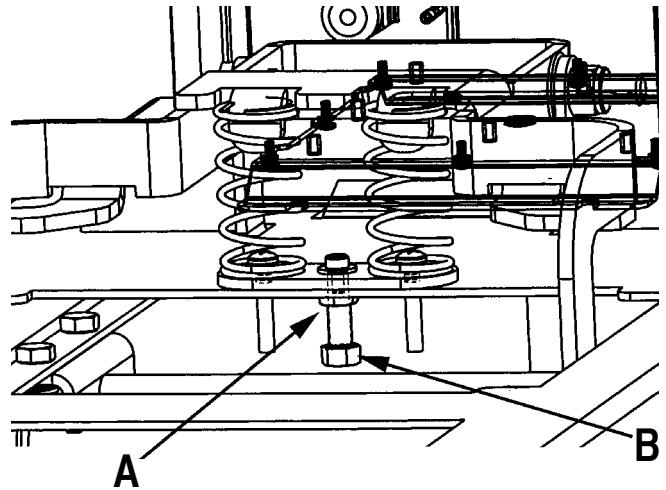


D

Retirez le capot
Remplacez le sac à
poussières



E

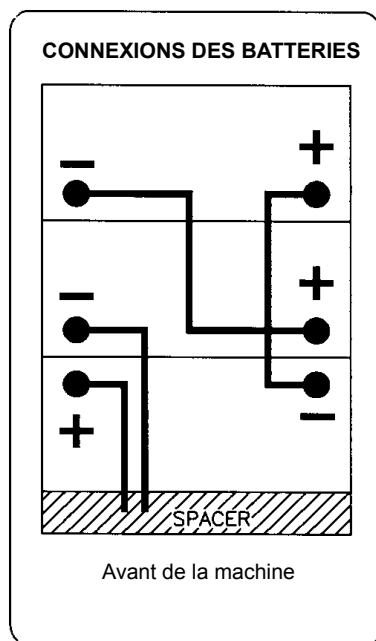


PREPARER LA MACHINE EN VUE DE SON UTILISATION

(B)-INSTALLATION DES BATTERIES

- 1 Placez les batteries avec précaution dans le compartiment des batteries. Disposez-le comme illustré à la figure B.

B



- 2 Assurez-vous que le commutateur se trouve en position OFF (O).
- 3 Installez les câbles de batterie comme illustré à la figure B, les bornes marquées "P" sur les bornes positives de la batterie et les bornes marquées "N" sur les bornes négatives de la batterie. Placez les câbles de manière à pouvoir retirer facilement les caches lorsqu'il faut ajouter de l'eau aux batteries.
- 4 Serrez la cosse sur chaque borne de la batterie juste assez pour éviter que la borne ne se désolidarise de la borne de la batterie. Tournez ensuite la cosse d'un tour complet.
- 5 Appliquez sur toutes les bornes et les cosses de la graisse, de la gelée ou un aérosol à base de pétrole (disponibles dans tous les magasins de vente de pièces pour automobile).
- 6 Placez le capuchon en caoutchouc noir sur chacune des bornes et utilisez de l'adhésif pour le maintenir en place.
- 7 Reliez le connecteur de l'ensemble batterie au connecteur sur le tableau de commande.
- 8 Remontez la machine.

REMARQUE : Chargez les batteries avant d'utiliser la machine.

(C)- INSTALLATION DU DISQUE

Votre distributeur Nilfisk-Advance local peut vous fournir les disques et les produits de finition de sol adaptés à cette machine.

ATTENTION !

Si vous utilisez un type de disque incorrect sur cette machine, vous risquez d'endommager le sol. Le disque doit être correctement centré sur le support de disque pour éviter que la machine ne vibre.

Pour installer le disque, suivez les étapes ci-dessous (voir étapes 1 - 6 dans la figure C):

- 1 Placez le commutateur sur off.
- 2 Placez la machine dans la position illustrée (2) pour accéder au dispositif de retenue du disque.
- 3 Allez à l'avant de la machine. Tout en maintenant d'une main la fixation du disque, faites tourner le disque et le porte-disque dans le sens anti-horlogique pour desserrer la fixation.
- 4 Retirez l'ancien disque et installez un disque neuf en prenant soin de le centrer sur le diamètre externe du porte-disque. **REMARQUE: Des vibrations peuvent se produire si vous centrez l'orifice du disque avec l'ouverture de la fixation du disque. Utilisez toujours un disque de haute qualité prévu pour une vitesse de 2000 tr./min.**
- 5 Resserrez la fixation au maximum.
- 6 Leve la parte trasera de la máquina para bajar el alojamiento del disco, tirando de las empuñaduras hacia arriba como indicado en la figura C (6).

(D)-INSTALLATION DU SAC À POUSSIÈRES

IMPORTANT!

Installez le sac à poussières (numéro de pièce 54195A) au sommet du logement de commande. Le système de collecte de la poussière ne fonctionnera pas correctement si le sac à poussières est plein ou déchiré.

(E)-RÉGLAGE DE LA PRESSON DU DISQUE

La pression du disque est définie en usine pour un polissage optimal avec les combinaisons de disque et de finition les plus courantes. Si une combinaison de disque et de finition nécessite le réglage de la pression du disque, exécutez ce réglage en procédant comme suit.

REMARQUE : Le réglage de la pression du disque doit être effectué par un technicien de maintenance qualifié. (voir figure E):

- 1 Placez le commutateur sur off "O".
- 2 En dessous de la polisseuse, desserrez le contre-écrou (A).
- 3 Pour diminuer la pression du disque, tournez le boulon (B) dans le sens des aiguilles d'une montre.
- 4 Pour augmenter la pression du disque, tournez le boulon (B) dans le sens inverse des aiguilles d'une montre.
- 5 Resserrez le contre-écrou (A).

PROGRAMME DE MAINTENANCE

Type de maintenance	Tous les jours	Tous les mois	Tous les ans
Charger les batteries	x		
Vérifier/remplacer les sacs à poussières	x		
Vérifier/remplacer la jupe	x		
Nettoyer le disque	x		
Lubrification		x	
Vérifier/entretenir les brosses du moteur de disque		x	
Entretenir les brosses du moteur d'entraînement			x

MAINTENANCE DES BATTERIES

Chargez les batteries à chaque fois que la machine est utilisée pendant une heure ou plus, ou à chaque fois que l'indicateur de batterie se trouve dans la zone rouge.

Pour charger les batteries...

- 1 Retirez le capot.
- 2 Branchez le chargeur.
- 3 Vérifiez le niveau d'eau dans toutes les cellules de la batterie après l'avoir chargée. Le cas échéant, ajoutez de l'eau distillée, pour que le niveau d'eau dépasse le haut des tubes de remplissage.

ATTENTION !

Pour éviter d'endommager les surfaces du sol, essuyez l'eau et l'acide de la partie supérieure des batteries après le chargement.

ATTENTION !

De l'acide peut être projeté sur le sol si les batteries sont trop remplies.

IMPORTANT

Si le moteur est endommagé car vous avez négligé d'entretenir les brosses en carbone, la garantie ne fonctionne pas. Consultez le certificat de garantie limitée.

DIAGNOSTIC DE PANNES

VIBRATIONS DE LA MACHINE

- 1 Le disque n'est pas centré correctement.
- 2 Defective pad. Replace.

MARQUES CIRCULAIRES

- 1 Le disque est trop agressif par rapport à la surface du sol.
- 2 Le disque est sale. Vérifiez et remplacez le.

TEMPS DE FONCTIONNEMENT RÉDUIT

- 1 Les batteries doivent être chargées.
- 2 Les batteries ont besoin d'eau. Ajoutez suffisamment d'eau pour couvrir les plaques dans chaque cellule. Ensuite, chargez les batteries, puis vérifiez à nouveau le niveau d'eau.

(E) LE SYSTÈME D'ASSISTANCE DU DISQUE DE LA MACHINE NE SE PROPULSE PAS LUI-MÊME

Pour le réglage de l'assistance du disque, suivez les étapes ci-dessous (voir les étapes 1 à 6 de la figure E).

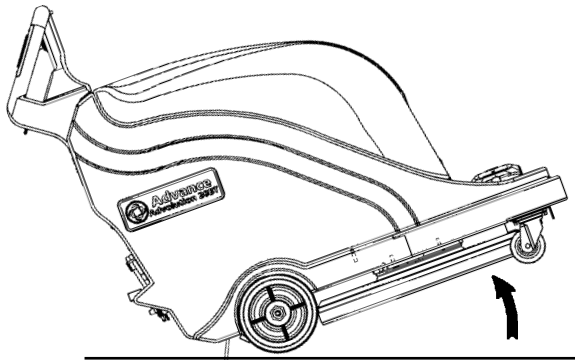
- 1 Remplacez le polisseur à sa position d'origine pour accéder au support du pivot.
- 2 Retirez le sac à poussières
- 3 Appuyez vers le bas sur la jupe anti-poussière pour accéder au système de réglage.
- 4 Desserrez le système de réglage du support du pivot et les boulons du pivot, puis faites tourner le support dans le sens contraire des aiguilles d'une montre pour augmenter l'assistance du disque.
- 5 Le support du pivot est muni d'encoches qui permettent le réglage.
- 6 Réglez le support du pivot de manière que le disque soit enfoncé vers le bas du côté droit de la machine afin d'augmenter l'assistance du disque. Puis, serrez le système de réglage.

ATTENTION !

L'assistance du disque varie en fonction de la granularité du disque et de la finition du sol. Si la plate-forme est trop penchée, le disque risque de brûler le sol du côté droit.

E

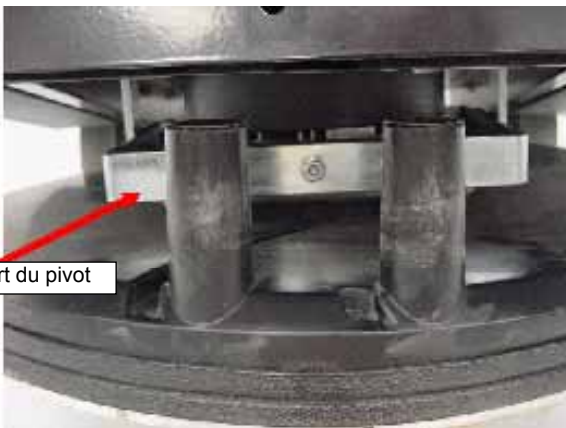
1



2

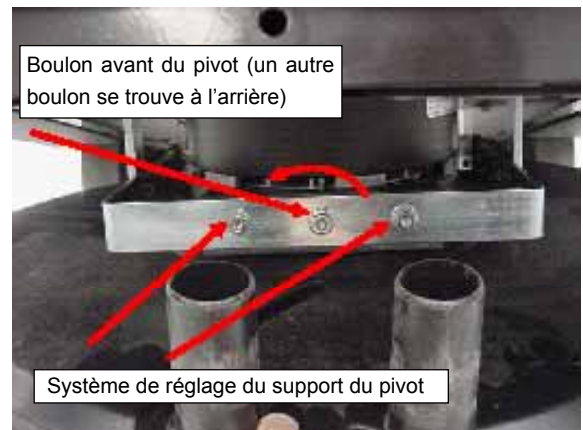


3



Support du pivot

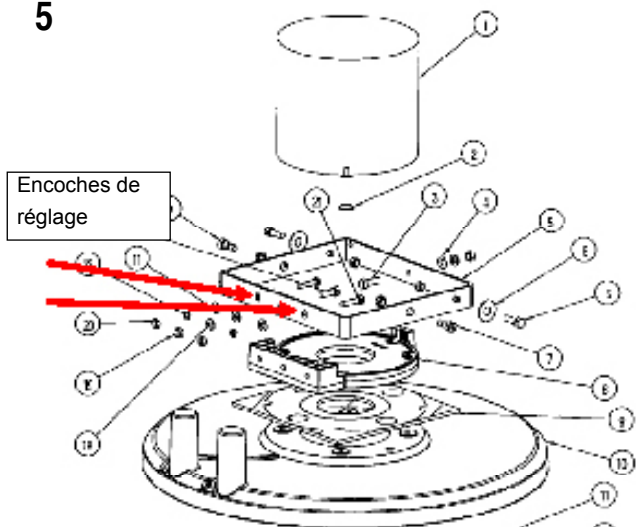
4



Boulon avant du pivot (un autre boulon se trouve à l'arrière)

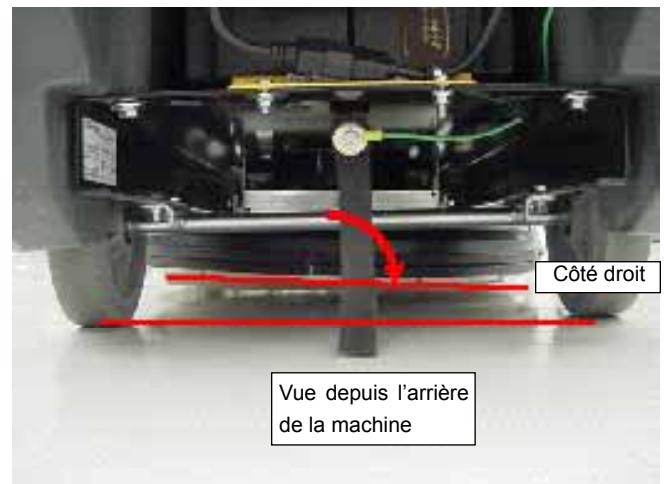
Système de réglage du support du pivot

5



Encoches de réglage

6



Côté droit

Vue depuis l'arrière de la machine

CARACTERISTIQUES TECHNIQUES

Caractéristiques techniques

Modèle	Advolution 20B	Advolution 20BT
Nombre modèle	01595A 01585A (avec/Vide Actif)	01594A 01584A (avec/Vide Actif)
Alimentation	36V 200 Ah	36V 200 Ah
Moteur du disque	1,9 kW, 65 Amp	1,9 kW, 65 Amp
Démarrage du moteur de traction		.5 hp PM / .37 kW
Démarrage du système de commande	Avec assistance du disque	Commande directe
Disque	51 cm	51 cm
Vitesse rotation disque	2.000 t/min	2.000 t/min
Pression disque	0 - 13,6 kg	0 - 13,6 kg
Vitesse M/AV	Avec assistance du disque	0 - 75m/min
Vitesse M/AR	Avec assistance du disque	0 - 52m/min
Vibration	<2,5 m/s ²	<2,5 m/s ²
Niveau de bruit (dba)	68	68
Roue motrice	4 cm x 20 cm	4 cm x 20 cm
Chargeur	36V, 25A, 85-265V/45-65Hz	36V, 25A, 85-265V/45-65Hz
Longueur	127 cm	127 cm
Largeur	58 cm	58 cm
Hauteur	105 cm	105 cm
Largeur bande polie	51 cm	51 cm
Rendement	2 230 m ² /h	2 230 m ² /h
Poids (avec 3-200Ah)	221 kg	227 kg
Poids livré	265 kg	271 kg

Modèle	Advolution 20B	Advolution 20BT
Nombre modèle	01597A 01587A (avec/Vide Actif)	01596A 01586A (avec/Vide Actif)
Alimentation	36V 234 Ah (AGM)	36V 234 Ah (AGM)
Moteur du disque	1,9 kW, 65 Amp	1,9 kW, 65 Amp
Démarrage du moteur de traction		.5 hp PM / .37 kW
Démarrage du système de commande	Avec assistance du disque	Commande directe
Disque	51 cm	51 cm
Vitesse rotation disque	2.000 t/min	2.000 t/min
Pression disque	0 - 13,6 kg	0 - 13,6 kg
Vitesse M/AV	Avec assistance du disque	0 - 75m/min
Vitesse M/AR	Avec assistance du disque	0 - 52m/min
Vibration	<2,5 m/s ²	<2,5 m/s ²
Niveau de bruit (dba)	68	68
Roue motrice	4 cm x 20 cm	4 cm x 20 cm
Chargeur	36V, 25A, 85-265V/45-65Hz	36V, 25A, 85-265V/45-65Hz
Longueur	127 cm	127 cm
Largeur	58 cm	58 cm
Hauteur	105 cm	105 cm
Largeur bande polie	51 cm	51 cm
Rendement	2 230 m ² /h	2 230 m ² /h
Poids (avec 3-200Ah)	272 kg	279 kg
Poids livré	316 kg	323 kg



Advolution 20B

Advolution 20BT

SECTION II: PARTS LIST

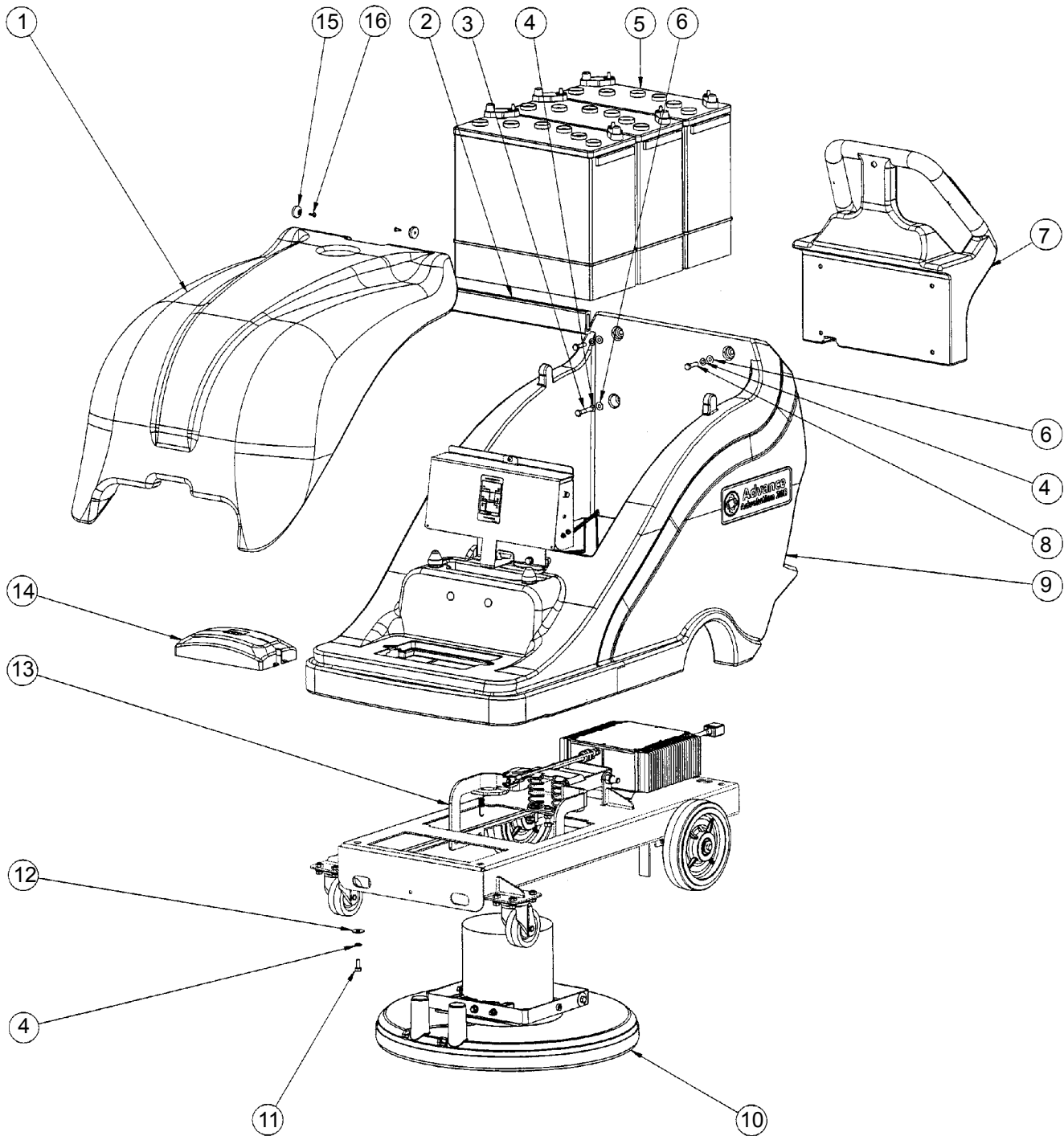
(79986A)

<u>DESCRIPTION</u>	<u>PAGE</u>
Note Page	33
Assembly - Advolution 20B	34-35
Assembly - Advolution 20BT	36-37
Frame Assy - Advolution 20B - Before February 2011	38-39
Frame Assy - Advolution 20B - After February 2011	40-41
Frame Assy - Advolution 20BT - Before February 2011	42-43
Frame Assy - Advolution 20BT - After February 2011	44-45
Handle Assy - Advolution 20B	46-47
Handle Assy - Advolution 20BT	48-49
Body Assy - Advolution 20B	50-51
Body Assy - Advolution 20BT	52-53
Head Assy	54-55
Active Vac Kit	56
Transaxle - Advolution 20BT	59
Ladder Diagram - Advolution 20B	58
Ladder Diagram - Advolution 20BT	59

WHEN ORDERING PARTS

- * Use the part numbers from the "Part No." columns in this parts list.
- * Specify the model and serial number of the machine.
- * Use the space below to record the model and serial number for future reference.

Model _____ Serial No. _____



Item	Ref. No.	Qty	Description
1	30780A	1	Cover, Top
2	30787A	1	Spacer, Battery
3	85816A	2	Screw, 5/16-18 x 1.75 Hex Hd
4	980652	8	Washer, 5/16 Lock
5	871334	3	Battery, 195 AH Wet 12 Volt
	41023A	3	Battery, 185 AH AGM 12 Volt
6	980651	4	Washer, 5/16 Flat
7		1	Handle Assembly, 20B
8	85814A	2	Screw, 5/16-18 x 1 1/4 HH
9		1	Body Assembly, 20B
10		1	Head Assembly, 20"
11	85811A	4	Screw, 5/16-18 x 3/4 Hex Hd
12	980205	4	Washer, .31 I.D. x 1.06 O.D.
13		1	Frame Assembly, 20B
14	30741A	1	Cover, Dust Bag
15	51609A	2	Bumper
16	962957	2	Screw, 10-16 x 1/2 HiLo
[]	41217A	2	Cable, Battery Series
[]	41051A	1	Battery Cable Series Pos
[]	41050A	1	Battery Cable Neg Series
[]	41023A	3	Battery 234 AH AGM
ACCESSORIES			
*	56201569	1	Dust Bag - Package of 10
*	976352	1	Burnishing Pads - Case of 5:Natural Blend, Tan HS 20"
*	976240	1	Aqua 20"
*	976327	1	Natural Blend
*	11223A	1	Active Vac Kit

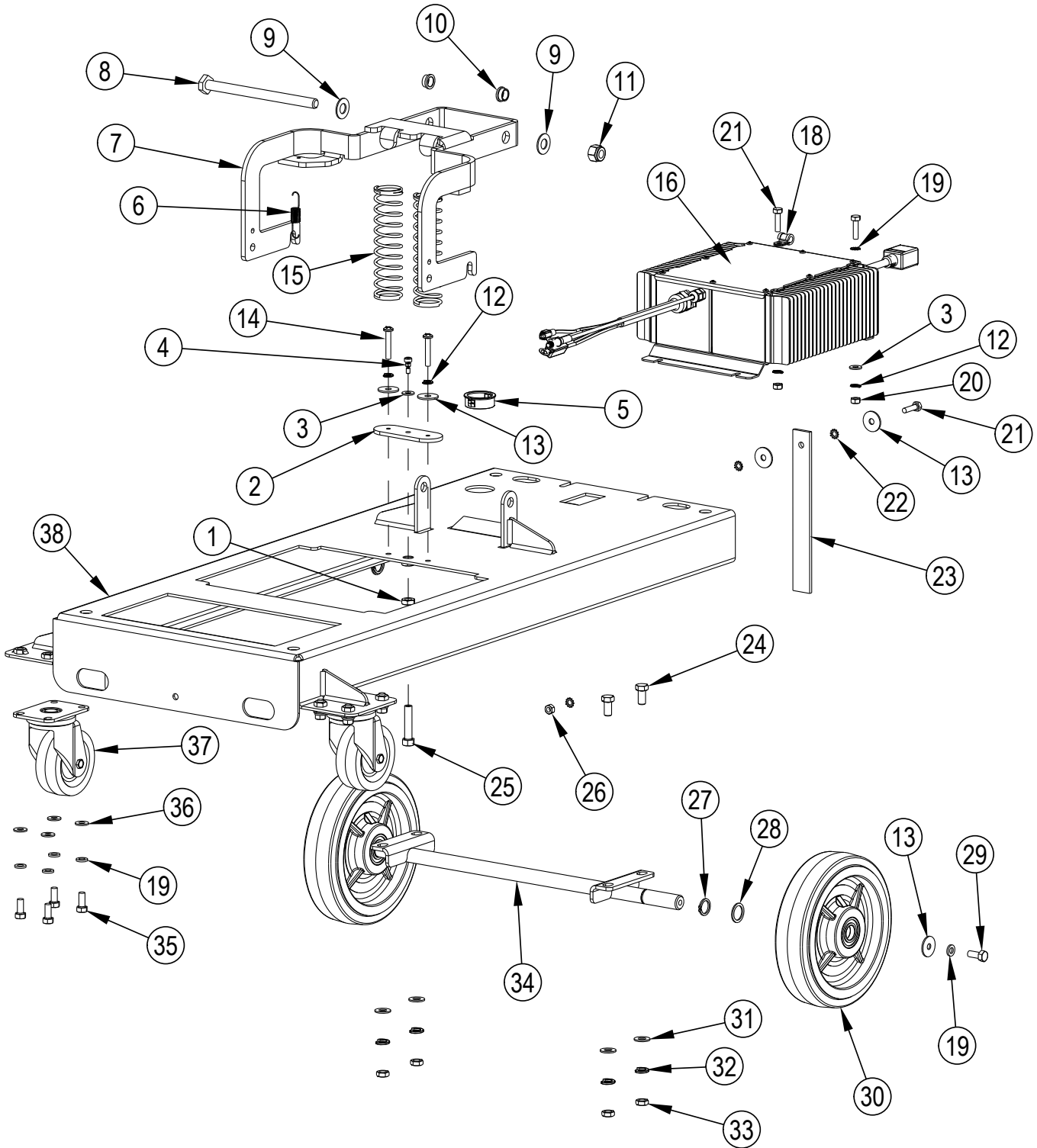
[] = Not Shown

* = Optional, Not Included

Item	Ref. No.	Qty	Description
1	30780A	1	Cover, Top
2	871334	3	Battery, 195 AH Wet 12 Volt
	41023A	3	Battery, 185 AH AGM 12 Volt
3	30787A	1	Spacer, Battery
4		1	Handle, Asm. Advolution 20BT
5	980651	4	Washer, 5/16 Flat
6	980652	8	Washer, 5/16 Lock
7	85814A	2	Screw, 5/16-18 x 1/4 HH
8		1	Frame Assembly, 20BT
9		1	Head Assembly, 20BT
10	85811A	4	Screw, 5/16-18 x 3/4 Hex Hd.
11	980205	4	Washer, .311 I.D. x 1.06 O.D.
12		1	Body Assembly, 20BT
13	30741A	1	Cover, Dust Bag
14	85816A	2	Screw, 5/16-18 x 1.75 Hex Hd.
15	51609A	2	Bumper
16	962957	2	Screw, 10-16 x 1/2 HiLo
[]	41217A	2	Cable, Battery Series
[]	41051A	1	Battery Cable Series Pos.
[]	41050A	1	Battery Cable Neg. Series
[]	41023A	3	Battery 234 AH AGM
ACCESSORIES			
*	56201569	1	Dust Bag - Package of 10
*	976352	1	Burnishing Pads - Case of 5:Natural Blend, Tan HS 20"
*	976240	1	Aqua 20"
*	976327	1	Natural Blend
*	11223A	1	Active Vac Kit

[] = Not Shown

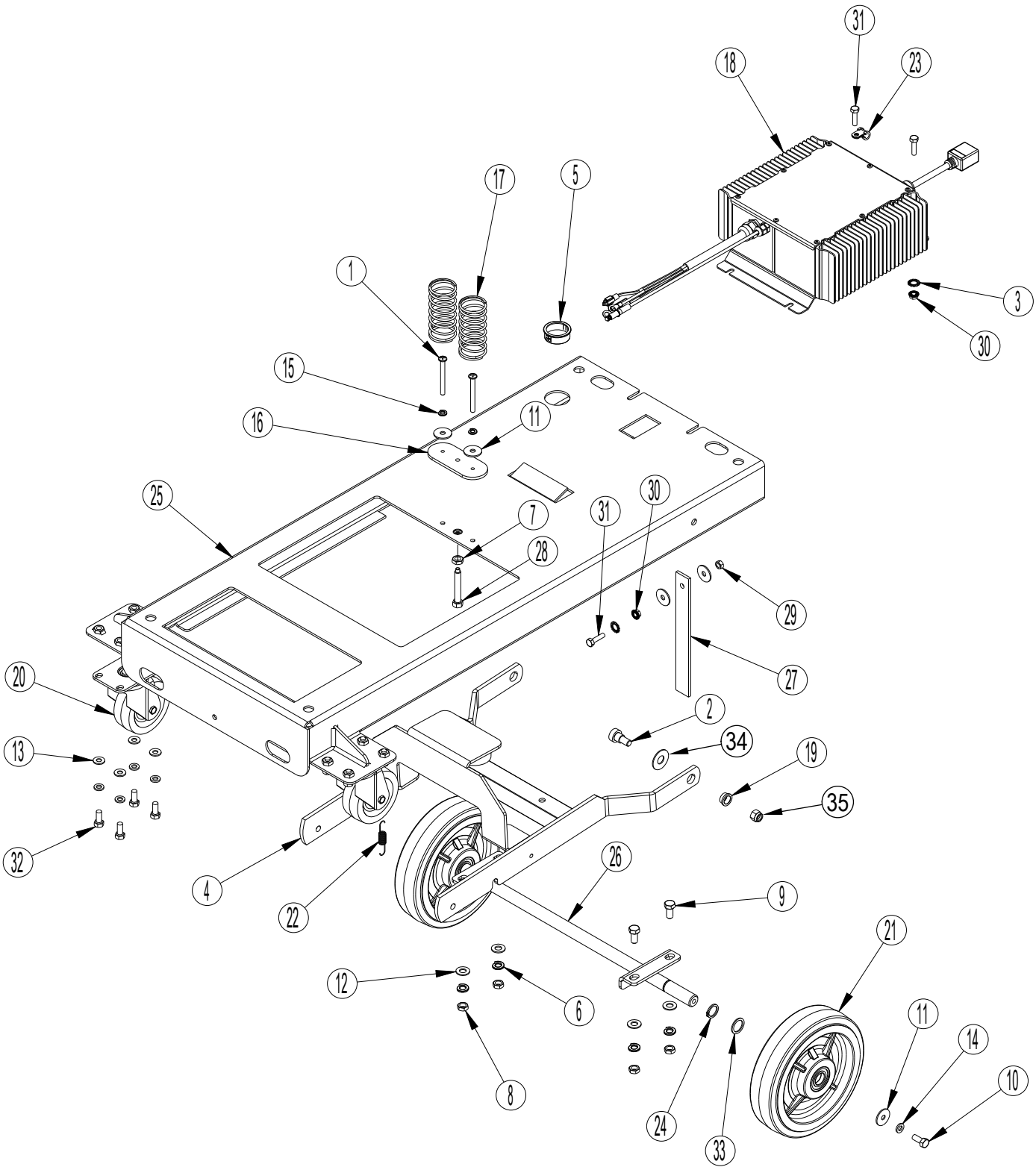
* = Optional, Not Included



Item	Ref. No.	Qty	Description
1	920148	1	Nut, 3/8-16 Hex Jam
2	61918A	1	Base, Two Spring
3	56003859	3	W Sh-Serrated Ext Ss M10
5	87060A	1	Insulating, Bushing
6	54698A	1	Spring, Extension .420 x 2.39 Zinc
7	61903A	1	Arm, Head Lift (Flat)
8	80376A	1	Screw, 1/2-13 x 7 H.H.C.S.
9	980648	2	Washer, Flat 1/2
10	54453A	2	Bushing, 3/8 x 1/2 Nominal
11	920365	1	Nut, 1/2-13 Nylock
12	980657	2	Washer, Lock 1/4
13	980205	6	Washer, .31 I.D. x 1.06 O.D.
14	962989	2	Screw, 1/4-20 x 1 1/2 P.H.
15#	51143A	2	Spring, 5.75 Compression TSBUS2010-1054
16	41036A	1	Charger, Battery 36VDC/25A
18	54768A	1	Clamp, P 5/16 Steel
19	980652	10	Washer, 5/16 Lock
20	81220A	3	Nut, Serrated Flange
21	85700A	3	Screw, 1/4-20 x 1 H.H. C.S.
23	69639A	1	Strap, Static
24	962244	4	Screw, 3/8-16 x .75 Hex
25#	80375A	1	Screw, 3/8-16 x 2.0 Hex Hd. TSBUS2010-1054
26	81104A	1	Nut, 1/4" Nylock
27	57423A	2	Retaining Ring, Ext.
28	87616A	2	Washer, Flat 1 x .75 x .06 Nylon
29	962620	2	Screw, 5/16-24 x 3/4" Hex Hd.
30	54691A	2	Wheel, 8"
31	980645	4	Washer, 3/8" S.A.E. Flat
32	170883	4	Washer, Lock 3/8"
33	920260	5	Nut, 3/8-16 Hex
34	61917A	1	Weldment, Non-Traversal Axle
35	85811A	8	Screw, 5/16-18 x 3/4 Hex Hd.
36	980651	8	Washer, 5/16 Flat
37	54454A	2	Caster, 3 1/2 Front Swivel
38#		1	Mainframe, 20" (not available for sale)
[]	193951	1	Trim, Vinyl Lock - 8.50" Long

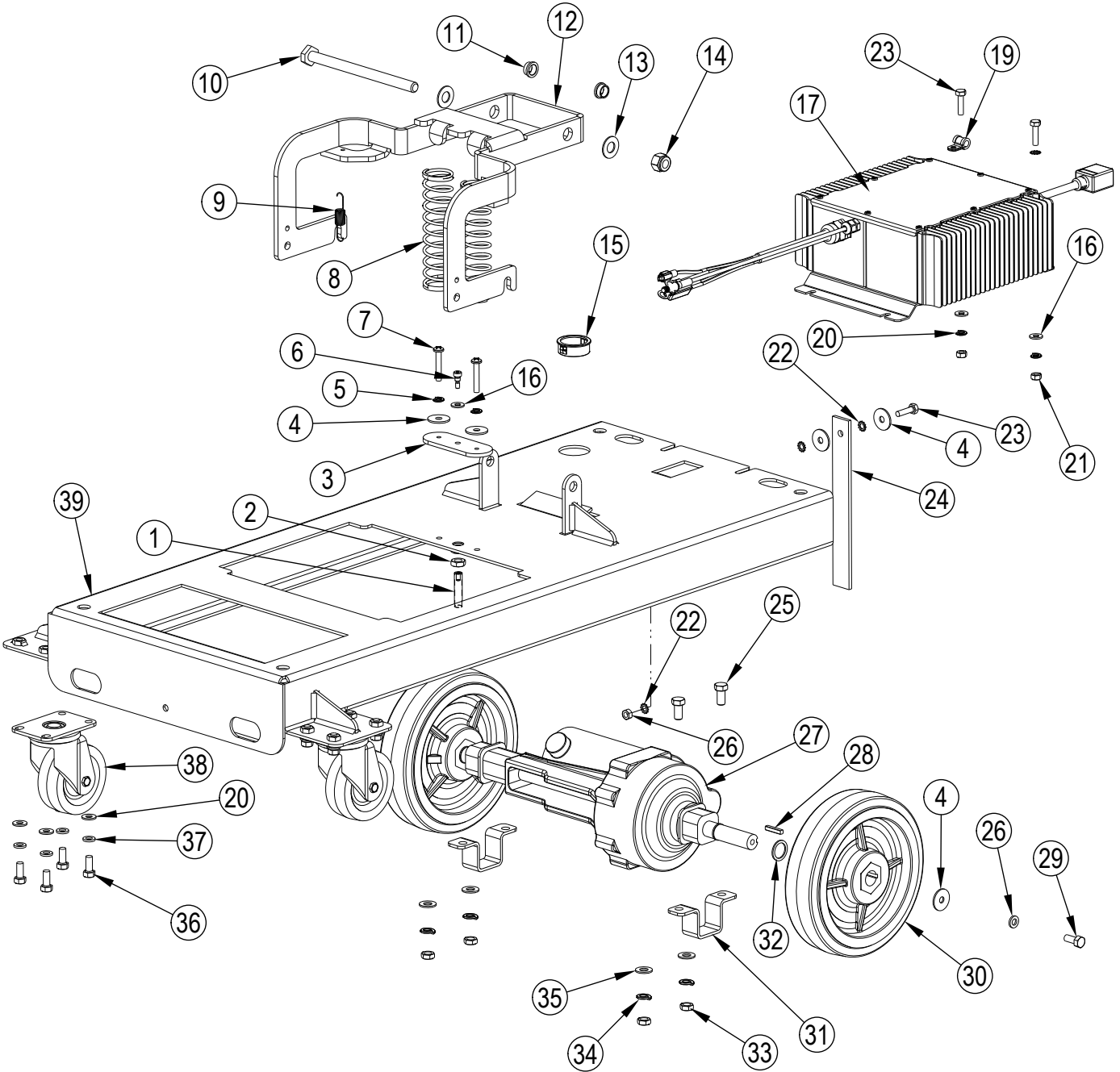
[] = Not Shown

= Revised or new since last update



Item	Ref. No.	Qty	Description
1	56002789	2	Scr-Pan Phil 1/4-20 X 2.50
2	56003673	2	Scr-Soc Shd .50 X .38 X 3/8-16
3	56003859	3	Wsh-Serrated Ext Ss M10
4	56381773	1	Head Lift Weldment 20
5	87060A	1	Bushing Insulating
6#	170883	4	Washer, Lock 3/8"
7	920148	1	Nut, 3/8-16 Hex Jam
8#	920260	4	Nut, 3/8-16 Hex
9	962244	4	Screw, 3/8-16 X .75 Hex
10	962620	2	Screw, 5/16-24 X 3/4" Hex Hd.
11	980205	6	Washer, .31 I.D. X 1.06 O.D.
12#	980645	4	Washer, 3/8" S.A.E. Flat
13	980651	8	Washer, 5/16 Flat
14	980652	10	Washer, 5/16 Lock
15	980657	2	Washer, Lock 1/4
16	56381751	1	Plate Spring Base
17	56381777	2	Spring Compression 20
18	41036A	1	Charger, Battery 36vdc/21a
19	54453A	2	Bushing, 3/8 X 1/2 Nominal
20	54454A	2	Caster, 3 1/2 Front Swivel
21	54691A	2	Wheel, 8"
22	54698A	1	Spring, Extension .420 X 2.39 Zinc
23	54768A	1	Clamp P 5/16 Steel
24	57423A	2	Retaining Ring External Sh .75 Heavy
25#		1	Mainframe, 20" (not available for sale)
26	61917A	1	Weldment, Non-Traversal Axle
27	69639A	1	Strap, Static
28	80375A	1	Screw, 3/8-16 X 2.00 Hex Hd.
29	81104A	1	Nut, 1/4" Nylock
30	81220A	3	Nut, Serrated Flange
31	85700A	3	Screw, 1/4-20 X 1 H.H.C.S.
32	85811A	8	Screw, 5/16-18 X 3/4 Hex Hd
33	87616A	2	Washer, Flt, 1.00x.75x.06 Nylon
34#	87607A	2	Washer Flt 1.25x.52x.06 Nylon
35#	920342	2	Nut Lk 3/8-16 Reg

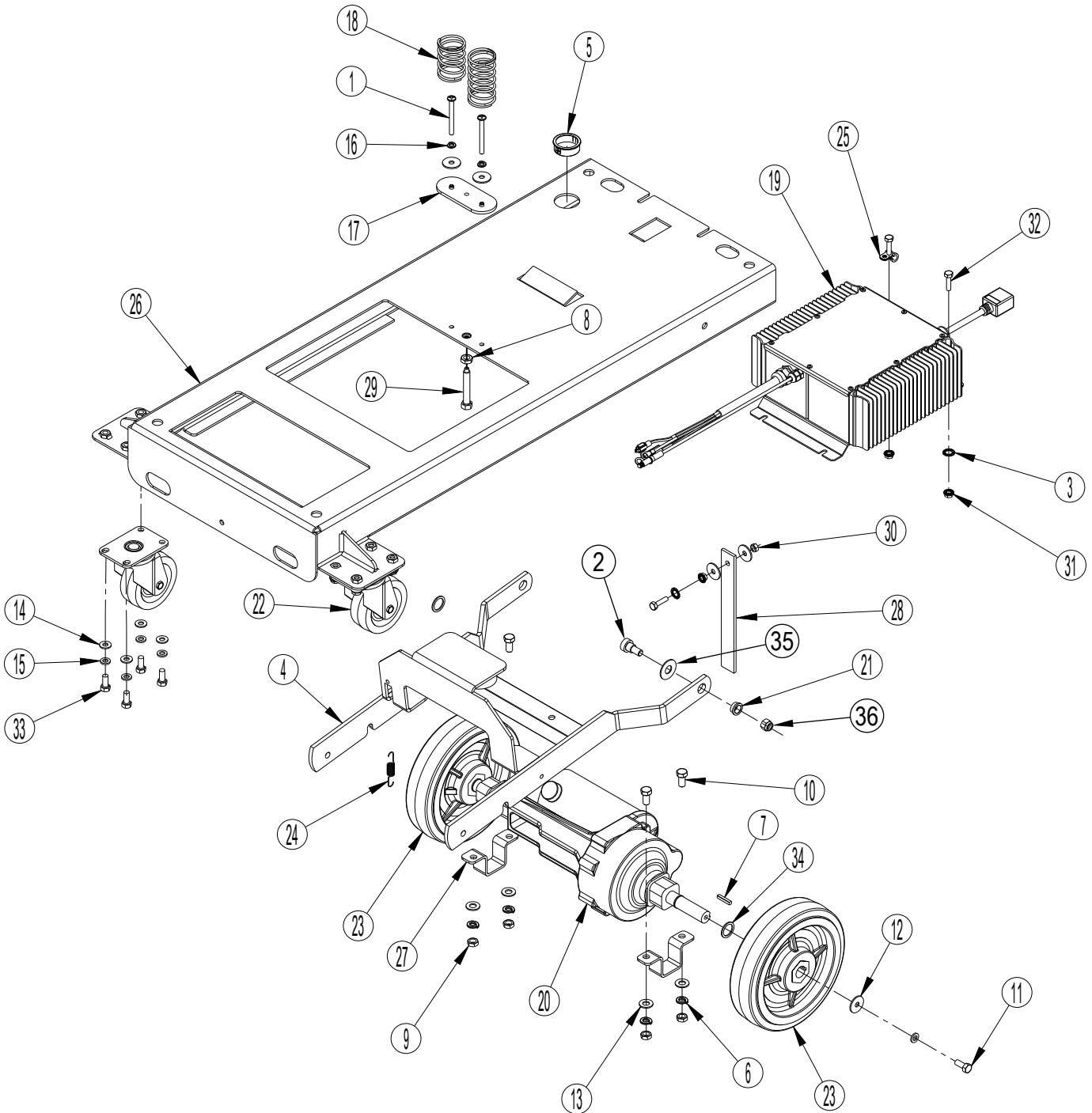
= Revised or new since last update



Item	Ref. No.	Qty	Description
1#	80375A	1	Screw, 3/8-16 x 2.0 Hex Hd TSBUS2010-1054
2	920148	1	Nut, 3/8-16 Hex Jam
3	61918A	1	Base, Two Springs
4	980205	6	Washer, .31 I.D. x 1.06 O.D.
5	980657	2	Washer, Lock 1/4
7	962989	2	Screw, 1/4-20 x 1 1/2 P.H.
8#	51143A	2	Spring, 5.75 Compression TSBUS2010-1054
9	54698A	1	Spring, Extension .420 x 2.39 Zinc
10	80376A	1	Screw, 1/2-13 x 7 H.H.C.S.
11	54453A	2	Bushing, 3/8 x 1/2 Nominal
12	61903A	1	Arm, Head Lift (Flat)
13	980648	2	Washer, 17/32 x 1/16 Plain
14	920365	1	Nut, 1/2-13 Nylock
15#	87060A	1	Insulating Bushing
16	56003859	3	W Sh-Serrated Ext Ss M10
17	41036A	1	Charger, Battery 36VDC/25A
19	54768A	1	Clamp, P 5/16 Steel
20	980651	8	Washer, 5/16" Flat
21	81220A	2	Nut, Serrated Flange
23	85700A	3	Screw, 1/4-20 x 1 H.H. C.S.
24	69639A	1	Strap, Static
25	962244	4	Screw, 3/8-16 x .75 Hex
26	81104A	1	Nut, 1/4" Nylock
27	41043A	1	Transaxle
28	915044	1	Key, 3/16" Sq.
29	962620	2	Screw, 5/16-24 x 3/4" Hex Hd.
30	54692A	2	Wheel, 8"
31	62435A	2	Clamp, Transaxle
32	87616A	2	Washer, Flat 1 x .75 x .06 Nylon
33	920260	4	Nut, 3/8-16 Hex
34	170883	4	Washer, Lock 3/8"
35	980645	4	Washer, 3/8" S.A.E. Flat
36	85811A	8	Screw, 5/16-18 x 3/4 Hex
37	980652	10	Washer, 5/16 Lock
38	54454A	2	Caster, 3 1/2 Front Swivel
39#		1	Mainframe, 20" (not available for sale)
[]	193951	2	Trim, Vinyl Lock-8.50 Lg.

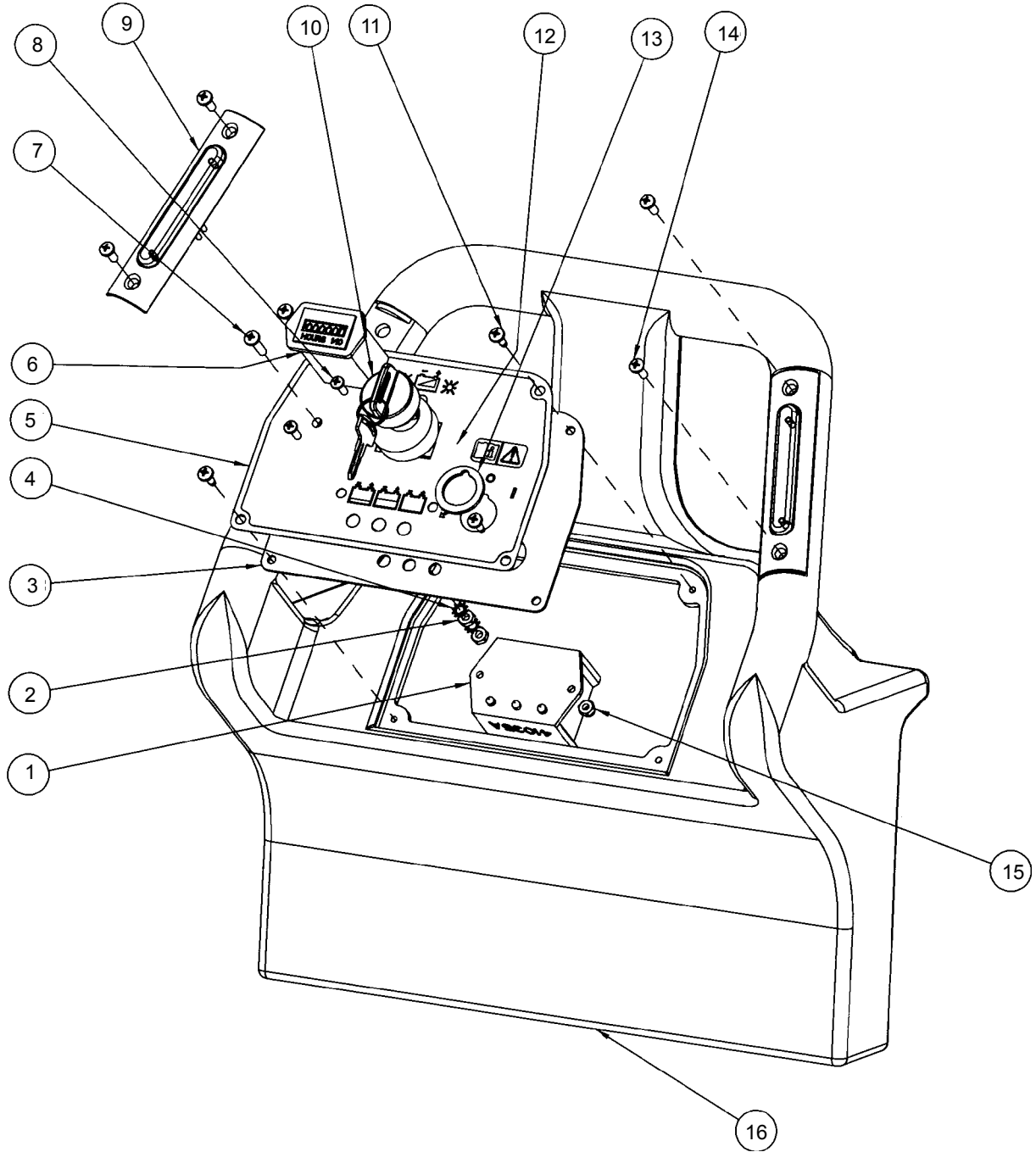
[] = Not Shown

= Revised or new since last update



Item	Ref. No.	Qty	Description
1	56002789	2	Scr-Pan Phil 1/4-20 X 2.50
2	56003673	2	Scr-Soc Shd .50 X .38 X 3/8-16
3	56003859	3	Wsh-Serrated Ext Ss M10
4	56381773	1	Head Lift Weldment 20
5	87060A	1	Bushing Insulating
6#	170883	4	Washer, Lock 3/8"
7	915044	2	Key, 3/16 Sq.
8	920148	1	Nut, 3/8-16 Hex Jam
9#	920260	4	Nut, 3/8-16 Hex
10	962244	4	Screw, 3/8-16 X .75 Hex
11	962620	2	Screw, 5/16-24 X 3/4" Hex Hd.
12	980205	6	Washer, .31 I.D. X 1.06 O.D.
13#	980645	4	Washer, 3/8" S.A.E. Flat
14	980651	8	Washer, 5/16 Flat
15	980652	10	Washer, 5/16 Lock
16	980657	2	Washer, Lock 1/4
17	56381751	1	Plate Spring Base
18	56381777	2	Spring Compression 20
19	41036A	1	Charger, Battery 36vdc/21a
20	41043A	1	Transaxle
21	54453A	2	Bushing, 3/8 X 1/2 Nominal
22	54454A	2	Caster, 3 1/2 Front Swivel
23	54692A	2	Wheel, 8"
24	54698A	1	Spring, Extension .420 X 2.39 Zinc
25	54768A	1	Clamp P 5/16 Steel
26#		1	Mainframe, 20" (not available for sale)
27	62435A	2	Clamp, Transaxle
28	69639A	1	Strap, Static
29	80375A	1	Screw, 3/8-16 X 2.00 Hex Hd.
30	81104A	1	Nut, 1/4" Nylock
31	81220A	3	Nut, Serrated Flange
32	85700A	3	Screw, 1/4-20 X 1 H.H.C.S.
33	85811A	8	Screw, 5/16-18 X 3/4 Hex Hd
34	87616A	2	Washer,Flt, 1.00x.75x.06 Nylon
35#	87607A	2	Washer Flt 1.25x.52x.06 Nylon
36#	920342	2	Nut Lk 3/8-16 Reg

= Revised or new since last update



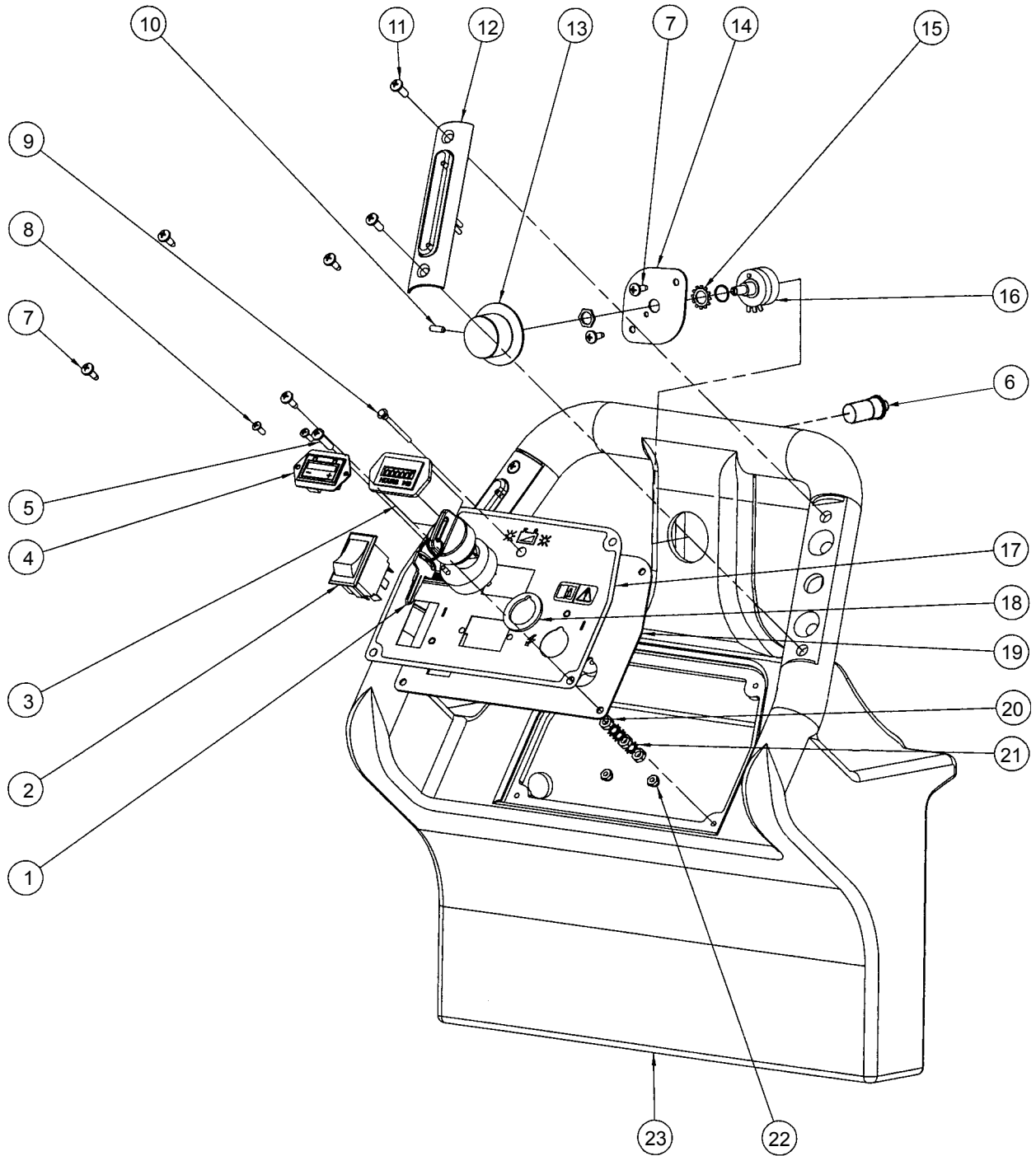
08-3

HANDLE ASSY - ADVOLUTION 20B

11-7

ADVOLUTION 20B, 20BT**47**

Item	Ref. No.	Qty	Description
1	41035A	1	Meter, Battery / Low Voltage
2	920224	2	Nut, 10-32 Hex
3	61919A	1	Panel, Control
4	980603	2	Washer, #10 Lock Ext. Tooth
5	71423A	1	Label, Control Panel
6	912226	1	Meter, Hour 12V DC
7	85383A	1	Screw, 10-32 x 3/4 P.H.
8	962027	2	Screw, 8-32 x 1/2 PH
9	11178A	1	Switch Assembly, Handle
10	40786A	1	Switch, Key
11	962957	4	Screw, 10-16 x 1/2 Self Tap
12	41036A	1	LED, Battery Charger
13	40786S	1	Spacer, Key Switch
14	80104A	4	Screw, 10-32 x 1/2 S.S.
15	920065	2	Nut, 8-32 E.S.N.A.
16	30684A	1	Handle



08-3

HANDLE ASSY - ADVOLUTION 20BT

11-7

ADVOLUTION 20B, 20BT**49**

Item	Ref. No.	Qty	Description
1	40786A	1	Switch, Key
2	47381B	1	Switch, Rocker
3	912226	1	Meter, Hour 12V DC
4	41008A	1	Display, Tru-Charge
5	85383A	1	Screw, 10-32 x 3/4 P.H.
6	52556A	1	Switch, Push Button
7	962957	6	Screw, 10-16 x 1/2 Self Tap
8	85313C	2	Screw, PHMS 6-32 x 3/8
9	41036A	1	LED, Battery Charger
10	962262	1	Screw, Set 8-32 x 1/2"
11	80104A	4	Screw, 10-32 x 1/2 S.S.
12	11178A	2	Switch, Assembly Handle
13	50962A	1	Knob, Speed Control
14	61922A	1	Retainer, 5K Potentiometer
15	980666	1	Washer, 3/8 Starlock External
16	40750A	1	Harness, Potentiometer Asm.
17	71424A	1	Label, Control Panel
18	40786S	1	Spacer, Key Switch
19	61906A	1	Panel, Control
20	920224	3	Nut, 10-32 Hex
21	980603	4	Washer, #10 Lock Ext. Tooth
22	920056	2	Nut, 6-32 E.S.N.A. Nylock
23	30684A	1	Handle, Advolution BT

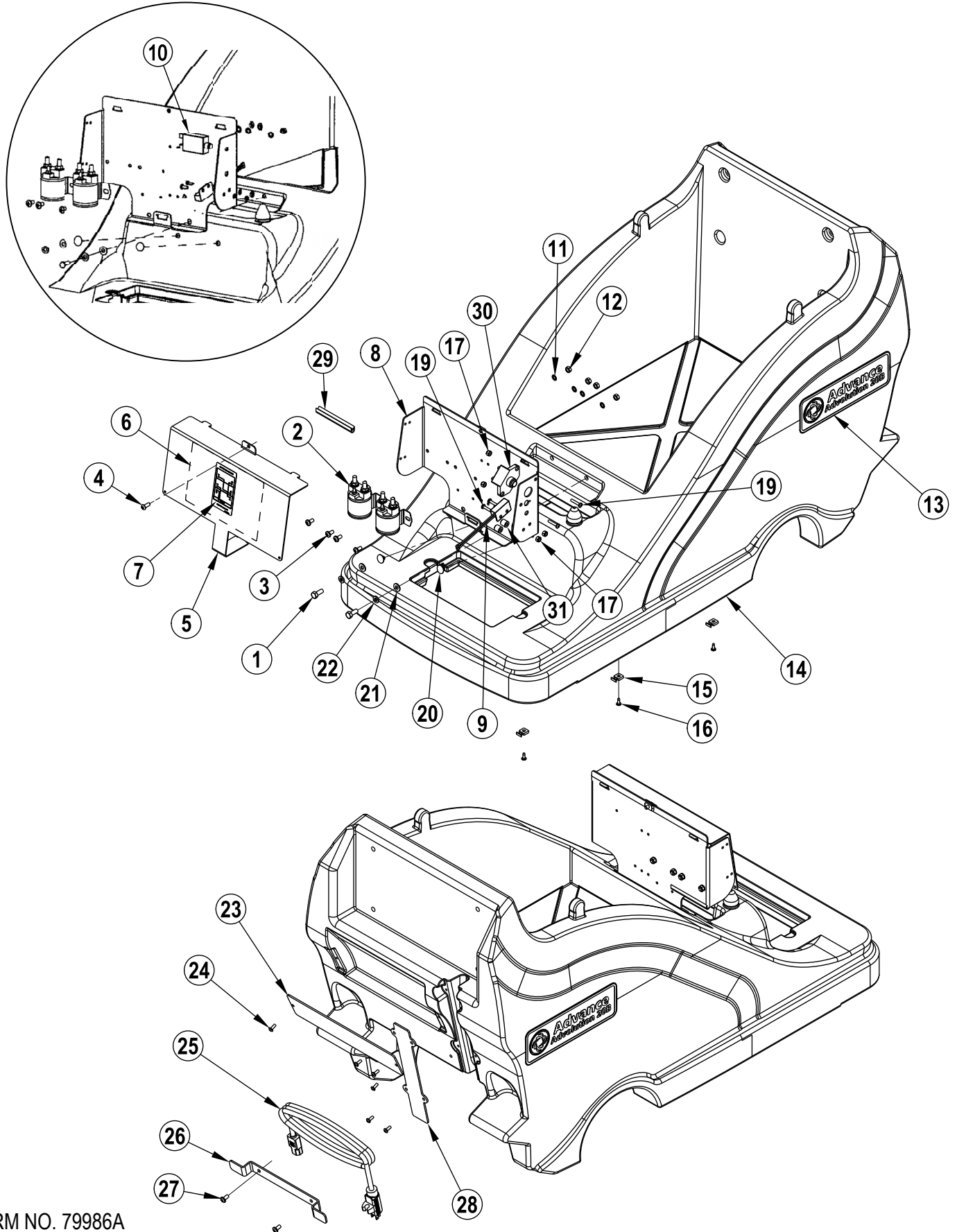
BODY ASSY - ADVOLUTION 20B

08-3

50

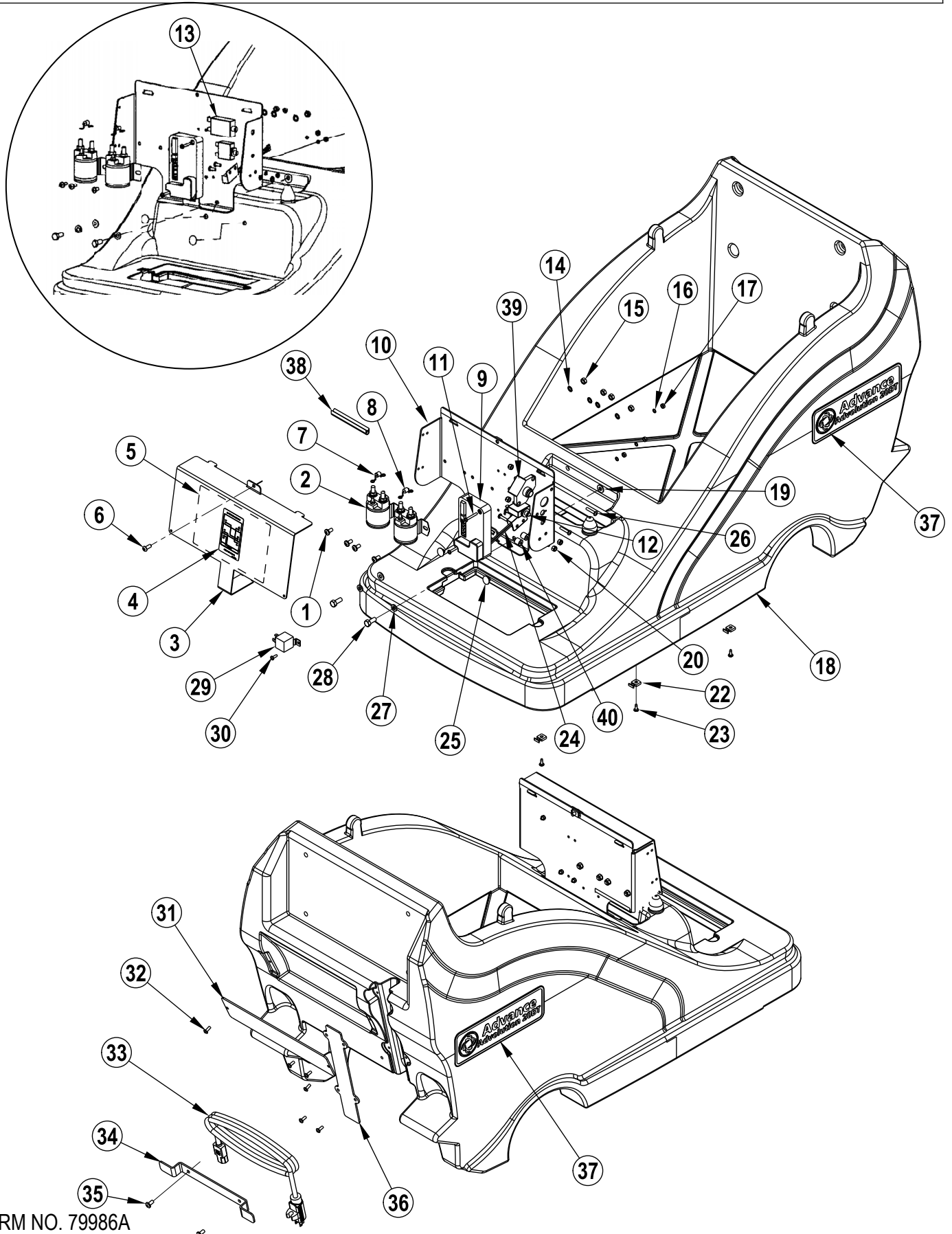
ADVOLUTION 20B, 20BT

11-7



Item	Ref. No.	Qty	Description
1	85811A	2	Screw, 5/16-18 x 3/4 Hex Hd.
2	41801A	2	Contactora, Main 36V
3	962823	4	Screw, 1/4-20 x 1/2 P.H.
4	962822	1	Screw, 1/4-20 x 5/8 BTST Soc
5	61909A	1	Cover, Front Elec. Plate
6	79987A	1	Label, Connection Diagram
7	79985A	1	Label, Battery Connection
8	56381710	1	Plate, Electrical Weldment
9	41039A	1	Switch, Tilt
10	56381712	1	70A Circuit Breaker Kit NOTE 1
11	980614	4	Washer, 1/4" Starlock Ext.
12	920208	4	Nut, 1/4 - 20 Hex
13	71382A	2	Label, Advolution 20B
14	30778A	1	Cover, Lower
15	52548A	3	Tab, 1/4" Screw
16	962957	3	Screw, 10-16 x 1/2 Self Tap
17	56002873	4	Nut, 10-32 Hex
19	98470A	4	Screw, 10-32 x 1.00
20	54770A	2	Fastener Ratchet
21	980651	2	Washer, 5/16 Flat
22	980652	2	Washer, 5/16 Lock
23	38740A	1	Strap, Retention (Dust Bags)
24	84237A	2	Screw, 10-32 x .50 P.H.
25	40740A	1	Cord, Charger NEMA
26	61598A	1	Bracket, Cord Wrap
27	85395A	2	Screw, 1/4-20 x 1/2" P.H.
28	38739A	1	Cover, Harness
29	193951	1	Trim, 3" Flexible
30	56393722	1	Circuit Breaker 70A
31	80142A	2	Spacer, Nylon
[]	41037A	1	Harness, Power 20"

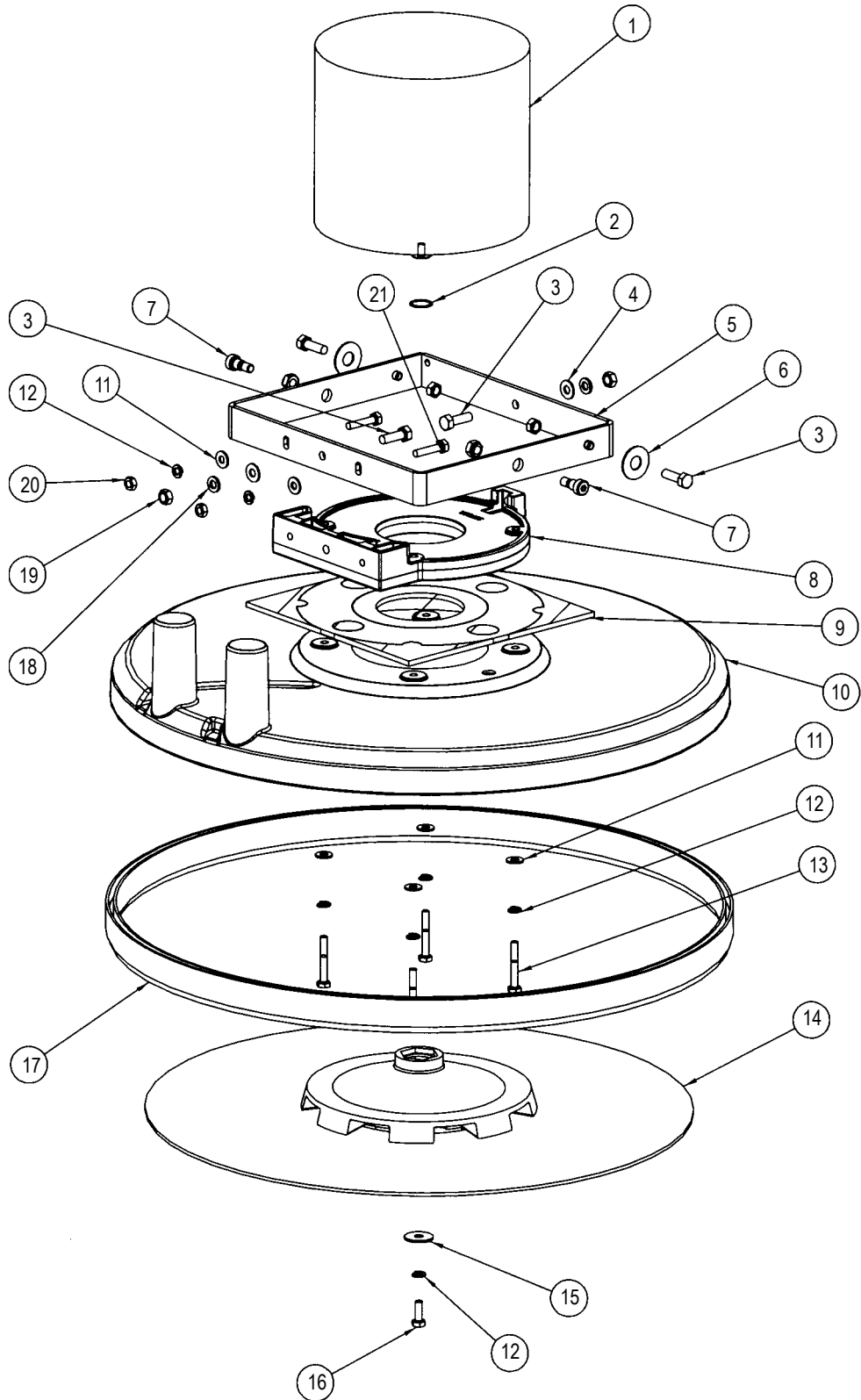
NOTE 1: 70A Circuit Breaker 41402C has been replaced by 70A Circuit Breaker 56393722 in production. When replacing 41402C you need to order 70A Circuit Breaker Kit 56381712.



Item	Ref. No.	Qty	Description
1	962823	4	Screw, 1/4-20X 1/2 P.H.
2	41801A	2	Contactora, Main 36V
3	61909A	1	Cover, Front Electric Plate
4	79985A	1	Label, Battery Conn.
5	79984A	1	Label, Connection Dia.
6	962822	1	Screw, 1/4-20 x 5/8 BT ST Socl
7	42401A	1	Diode, Asm. Contactor
8	41022A	1	Diode, Avalanche Asm.
9	41042A	1	Controller, i-Drive 36V Traverse
10	56381710	1	Plate, Electrical Weldment
11	80380A	2	Screw, 8-32 x 1 1/4" P.H.
12	41448B	1	Breaker, 30A Circuit
13	56381712	1	70A Circuit Breaker Kit NOTE 1
14	980614	4	Washer, 1/4" Starlock Ext.
15	920208	4	Nut, 1/4-20 Hex
16	87200A	4	Washer, Lock #8
17	920108	4	Nut, 8-32
18	30778A	1	Cover, Lower
19	980651	2	Washer, 5/16 Flat
20	56002873	4	Nut, 10-32 Hex
22	52548A	3	Tab, 1/4" Screw
23	962957	3	Screw, 10-16 x 1/2 Self Tap
24	41039A	1	Switch, Tilt
25	54770A	2	Fastener, Ratchet
26	98470A	4	Screw, 10-32 x .500
27	980652	2	Washer, 5/16 Lock
28	85811A	2	Screw, 5/16-18 x 3/4" Hex Hd.
29	41007A	1	Relay, Traverse Power
30	962027	2	Screw, 8-32 x 1/2 P.H.
31	38740A	1	Strap, Retention (Dust Bags)
32	84237A	6	Screw, 10-32 x .50 P.H.
33	40740A	1	Cord, Charger NEMA
34	61598A	1	Bracket, Cord Wrap
35	85395A	2	Screw, 1/4-20 x 1/2" P.H.
36	38739A	1	Cover, Harness
37	71381A	2	Label, Advolution 20BT
38	193951	1	Trim, 3" Flexible
39	56393722	1	Circuit Breaker 70A
40	80142A	2	Spacer, Nylon
[]	41041A	1	Harness, Power 20" Traverse
[]	41038A	1	Harness, Logic 20" Traverse

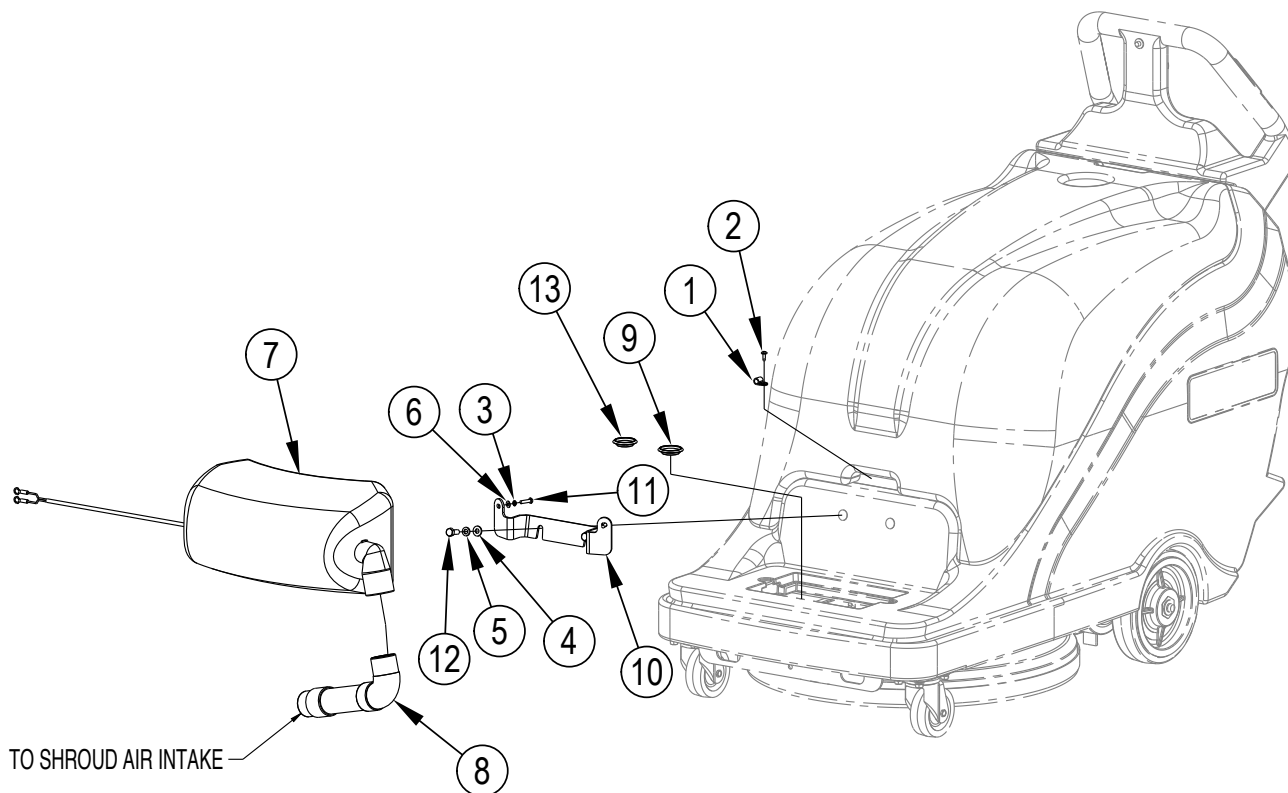
[] = Not Shown

NOTE 1: 70A Circuit Breaker 41402C has been replaced by 70A Circuit Breaker 56393722 in production. When replacing 41402C you need to order 70A Circuit Breaker Kit 56381712.



Item	Ref. No.	Qty	Description
1	41040A	1	Motor
	56407500	1	Carbon Brush/Spring Set
2	80378A	1	Ring, Retaining External 0.750"
3	85813A	4	Screw, 5/16-18 x 1.00 Hex Hd.
4	980651	2	Washer, 5/16 Flat
5	61916A	1	Frame, Motor (Weldment)
6	87607A	2	Washer, Nylon 1.25 x .52 x .06 Flat
7	80040A	2	Screw, Shoulder 3/8x 3/8
8	30783A	1	Mount, Motor
9	54435A	1	Gasket, 2 Piece
10	30739A	1	Shroud, Dust
11	980646	6	Washer, 1/4" Flat
12	980657	7	Washer, Lock 1/4
13	85702A	4	Screw, 1/4-20 x 1-3/4 Hex Cap
14	54198A	1	Pad Driver TSBUS2009-1034
[]	57369A	1	Center Lock
15	980205	1	Washer, .31 I.D. x 1.06 O.D.
16	85806A	1	Screw, 1/4-20 x 3/4 Hex Sz.
17	56393565	1	Skirt Assembly
18	980652	2	Washer, 5/16 Lock
19	170854	4	Nut, 5/18 Hex
20	920208	2	Nut, 1/4-20 Hex
21	962481	2	Screw, 1/4-20 x 1 1/4 H.H.C.S.

[] = Not Shown



Item	Ref. No.	Qty	Description
#	11223A	1	Active Vac Kit NOTE 1
1	872102	1	Clamp, Wire .312 ID
2	962957	1	Screw, 10-16 x 1/2 Self Tap
3	980650	2	Washer, #10 Lock
4	980651	2	Washer, 5/16 Flat
5	980652	2	Washer, 5/16 Lock
6	980982	2	Washer, #10 SAE Flat
7	11224A	1	Vacuum, Active
8	38044A	1	Hose, Vacuum
9#	38045A	1	Cap, Shroud NOTE 2
10	61921A	1	Bracket, Active Vac
11	80205A	2	Screw, M5 x 0.8 x 20MM Pan Head
12	85811A	2	Screw, 5/16-18 x 3/4 Hex Hd
13#	56380133	1	Plug-Hole 1-5/16 NOTE 2

Accessories

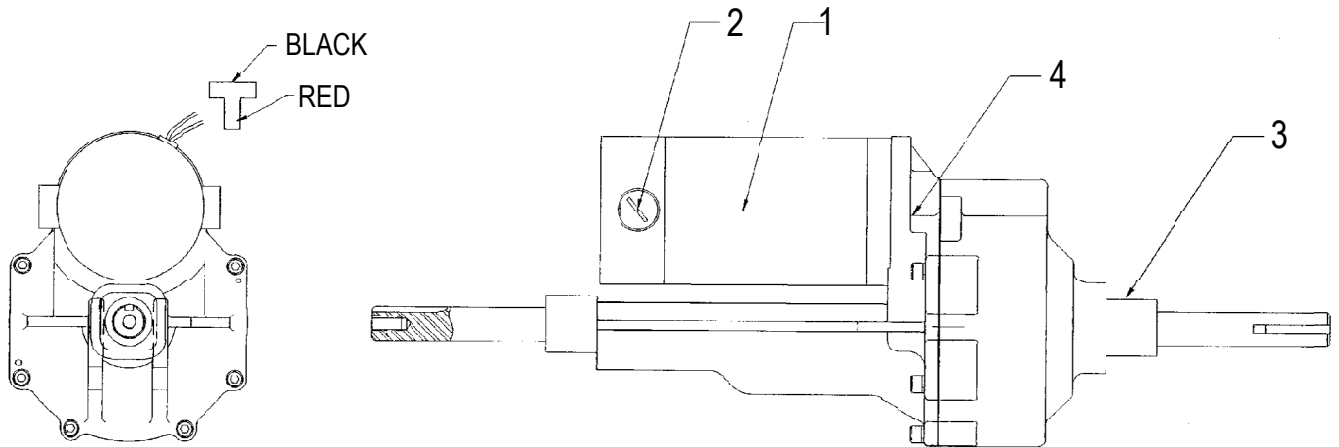
[]	1406554010	A/R	Dust Bag-58 Gallon-Pack of 5
[]	1406794010	A/R	Round Motor Protection Filter-Pack of 1
[]	1406597500	A/R	Exhaust Filter-Pack of 3
[]	1406908000	A/R	Cloth Dust Bag-Reusable/Shake out

[] = Not Shown

= Revised or new since last update

#NOTE 1: This is offered as an optional kit but comes standard on the following models only: 01584A, 01585A, 01586A, 01587A

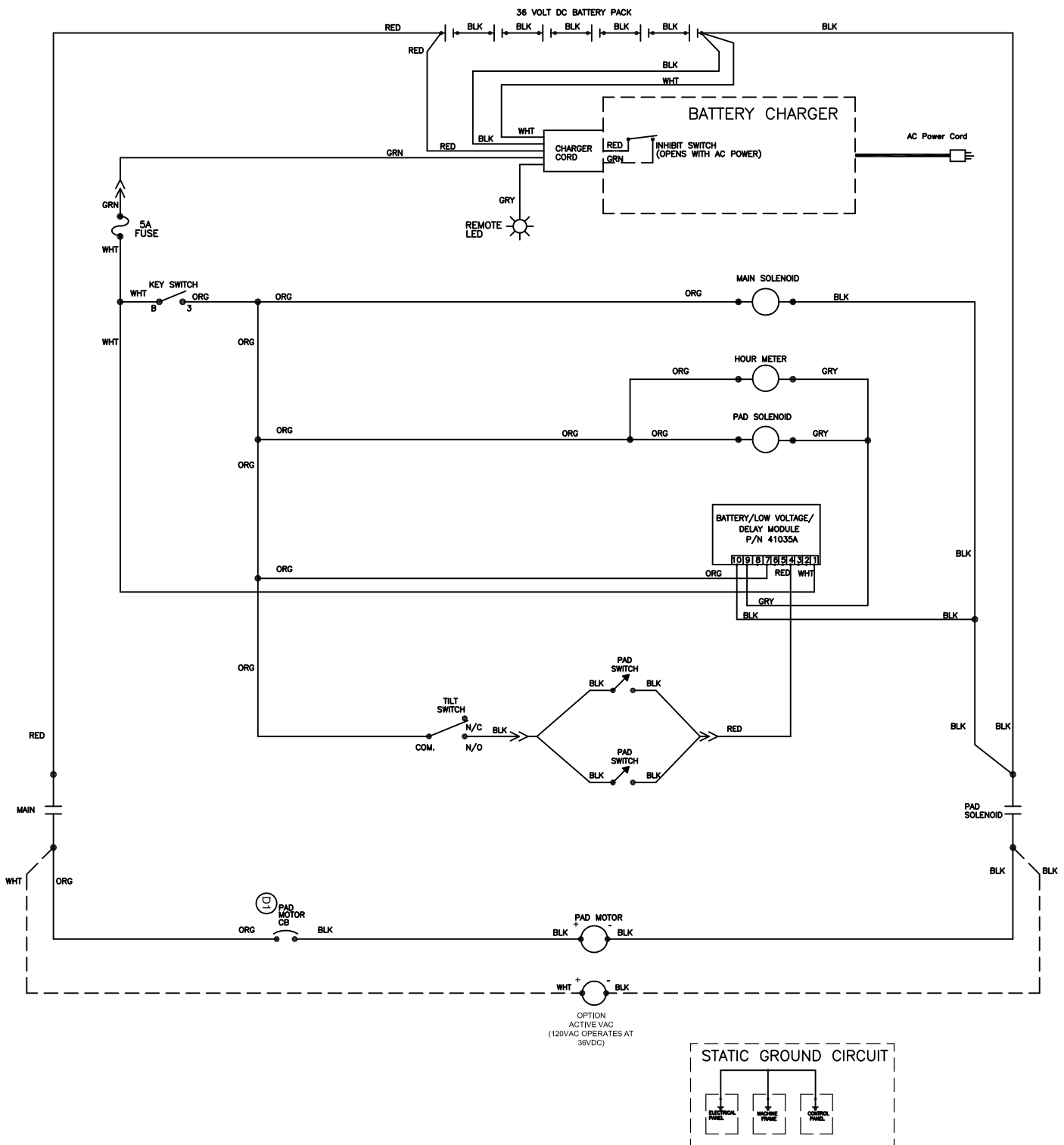
#NOTE 2: Optional usage depending on application.

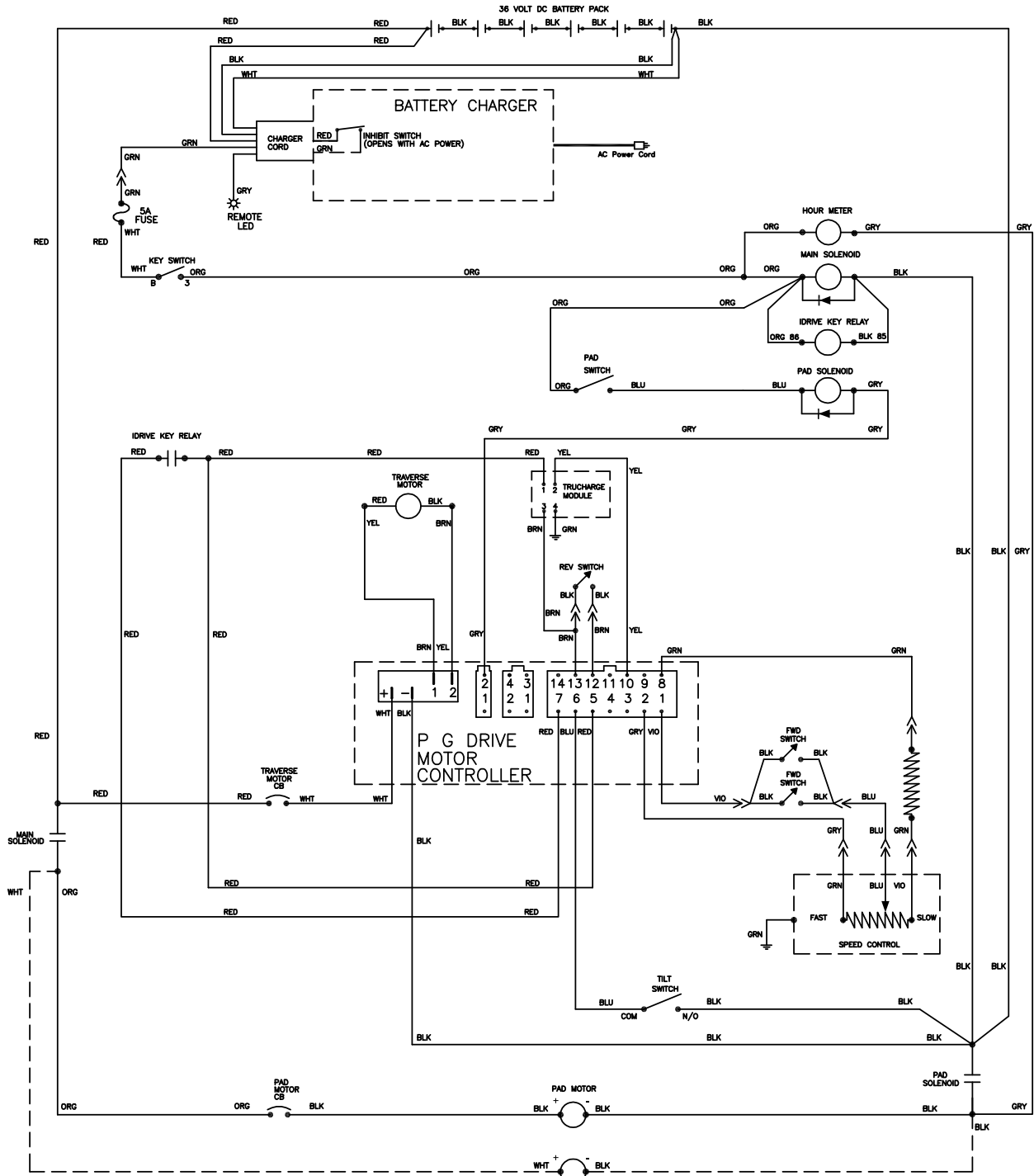


Item	Ref. No.	Qty	Description
1#	52804A	1	Motor, Transaxle NOTE 1
2	52803A	2	Brush, Asm.
3#	56315379	2	Mounting Sleeve Neoprene
4	52801A	1	Coupler, Transaxle

= Revised or new since last update

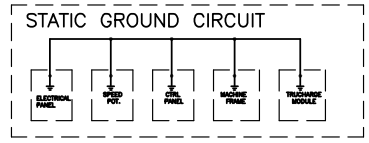
NOTE 1: Voltage: 36 VDC - Free Speed: ~ 130 RPM - Torque: 140 in-lbs @ 110 RPM (Ref. Only)





- PENNY & GILES CONTROL CONNECTIONS**
- 1 THROTTLE WIPER
 - 2 THROTTLE HIGH
 - 3 AUX 2 OUT
 - 4 SLOW/FAST SWT
 - 5 KEY SW
 - 6 INHIBIT 1 PROGRAM TO INHIBIT TRAV AND PAD WHEN TILT SWITCH IS CLOSED
 - 7 FUSED 36V OUT
 - 8 THROTTLE LOW
 - 9 BELLY SWT
 - 10 STATUS IND.
 - 11 AUX 3 OUT
 - 12 REV SWT
 - 13 0 VOLT
 - 14 INHIBIT 2 CHARGER

OPTION ACTIVE VAC (120VAC OPERATES AT 36VDC)





14600 21st Avenue North
Plymouth, MN 55447-3408
www.advance-us.com
Phone: 800-989-2235
Fax: 800-989-6566
©2011 Nilfisk-Advance, Inc.

A Nilfisk-Advance Brand