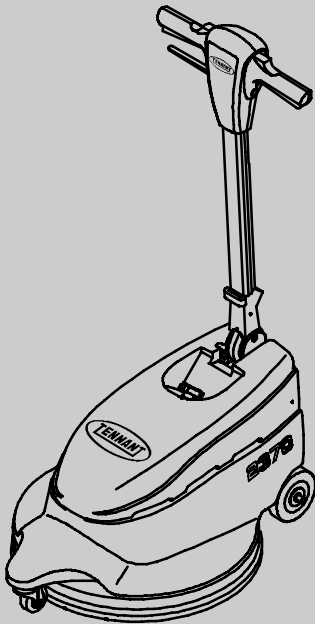




2370

**Dust Control Burnisher
Máquina de Pisos
Brosseuse-Sècheuse**

**Operator and Parts Manual
Manual De Operador
Y Lista De Repuestos
Opérateur Manuel et
Liste Des Pièces**



Model Part No.:
1000151



IMPORTANT SAFETY INSTRUCTIONS

When using an electrical appliance, basic precautions should always be followed, including the following:

READ ALL INSTRUCTIONS BEFORE USING (THIS APPLIANCE)

WARNING - To reduce the risk of fire, explosion, electric shock, or injury:

1. Do not use appliance with flammable or combustible liquids/fumes such as gasoline or use in areas where they may be present.
2. Do not handle plug or appliance with wet hands, electric shock or personal injury may occur.
3. Do not use with damaged cord or plug, electric shock or personal injury may occur. If appliance is not working as it should, has been dropped, damaged, left outdoors, or dropped into water, return it to a service center.
4. Do not leave appliance when plugged in. Unplug from outlet when not in use and before servicing.
5. Use only commercially available floor cleaners and waxes intended for machine application.
6. Do not allow to be used as a toy. Close attention is necessary when used by or near children.
7. Use only as described in this manual. Use only manufacturer's recommended attachments.
8. Do not pull or carry by cord, use cord as a handle, close a door on cord, or pull cord around sharp edges or corners. Do not run appliance over cord. Keep cord away from heated surfaces.
9. Do not unplug by pulling on cord. To unplug, grasp the plug, not the cord.
10. Do not put any object into openings. Do not use with any opening blocked; keep free of dust, lint, hair, and anything that may reduce air flow.
11. Keep hair, loose clothing, fingers, and all parts of body away from openings and moving parts.
12. Turn off all controls before unplugging.
13. Use extra care when cleaning on stairs.
14. Use indoors only. Do not use outdoors and do not expose to rain.

SAVE THESE INSTRUCTIONS

INSTRUCCIONES IMPORTANTES DE SEGURIDAD

Deben observarse siempre instrucciones básicas de seguridad al usar artefactos eléctricos incluyendo las siguientes:

LEER TODAS LAS INSTRUCCIONES DE SEGURIDAD ANTES DE USAR (ESTE ARTEFACTO)

ADVERTENCIA - Para reducir el riesgo de incendio, choque eléctrico o lesiones:

1. No use el artefacto con líquidos/humos inflamables o combustibles tales como gasolina o usar en áreas donde pueden estar presentes.
2. No maneje el enchufe o el artefacto con manos mojadas, ya que puede ocurrir choque eléctrico o lesiones personales.
3. No use con cordón o enchufe dañados, ya que puede ocurrir choque eléctrico o lesiones personales. Si el artefacto no está funcionando bien, se ha dejado caer, se ha dañado, dejado al aire libre, o dejado caer al agua, devuélvalo al centro de servicio.
4. No dejar el artefacto desatendido cuando está enchufado. Desenchufar del tomacorrientes cuando no se usa y antes de prestar servicio.
5. Usar sólo limpiadores de piso y ceras comercialmente disponibles destinadas para aplicación a máquina.
6. No permitir que se use como un juguete. Se requiere mucha atención cuando se usa por o cerca de los niños.
7. Usar sólo según se describe en este manual. Usar sólo los aditamentos recomendados por el fabricante.
8. No tirar de ni arrastrar por el cordón, no usar el cordón como un mango, no cerrar la puerta sobre el cordón ni tirar del cordón sobre bordes o esquinas aguzadas. No pasar el artefacto sobre el cordón. Mantener el cordón alejado de superficies calientes.
9. No desenchufar tirando del cordón. Para desenchufar, sujetar el enchufe, no el cordón.
10. No colocar objetos en las aberturas. No usar con aberturas bloqueadas, mantener libre de polvo, pelusa, cabellos y todo lo que pueda reducir el flujo de aire.
11. Mantener el cabello, ropas holgadas, dedos, y todas las partes del cuerpo alejadas de las aberturas y piezas móviles.
12. Antes de desenchufar apagar todos los controles.
13. Ser muy precavido al limpiar sobre escaleras.
14. Usar siempre bajo techo. No usar al aire libre ni sobre superficies mojadas.

MANTENER ESTE INSTRUCCIONES

CONSIGNES DE SÉCURITÉ IMPORTANTES

Lorsque vous utilisez un appareil électrique, des précautions de base doivent être respectées, parmi lesquelles:

LISEZ TOUTES LES INSTRUCTIONS AVANT D'UTILISER CET APPAREIL

⚠ ADVERTISSEMENT - Pour réduire les risques d'incendie, l'explosion, de choc électrique ou de blessure:

1. Ne pas aspirer des liquides/vapeurs inflammables ou combustibles, comme de l'essence, et ne pas faire fonctionner dans des endroits où peuvent se trouver de tels liquides.
2. Ne pas toucher la fiche ou l'appareil lorsque vos mains sont humides, la décharge électrique ou blessures peut se produire.
3. Ne pas utiliser si le cordon ou la fiche est endommagé, la décharge électrique ou blessures peut se produire. Retourner l'appareil à un atelier de réparation s'il ne fonctionne pas bien, s'il est tombé ou s'il a été endommagé, oublié à l'extérieur ou immergé.
4. Ne pas laisser l'appareil sans surveillance lorsqu'il est branché. Débrancher lorsque l'appareil n'est pas utilisé et avant l'entretien.
5. Utiliser des produits nettoyants et des cires offerts sur le marché pour l'application à la machine.
6. Ne pas permettre aux enfants de jouer avec l'appareil. Une attention particulière est nécessaire lorsque l'appareil est utilisé par des enfants ou à proximité de ces derniers.
7. Utiliser que conformément à cette notice avec les accessoires recommandés par le fabricant.
8. Ne pas tirer, soulever ou traîner l'appareil par le cordon. Ne pas utiliser le cordon comme une poignée, le coincer dans l'embrasure d'une porte ou l'appuyer contre des arêtes vives ou des coins. Ne pas faire rouler l'appareil sur le cordon. Garder le cordon à l'écart des surfaces chaudes.
9. Ne pas débrancher en tirant sur le cordon. Tirer plutôt la fiche.
10. N'insérer aucun objet dans les ouvertures. Ne pas utiliser l'appareil lorsqu'une ouverture est bloquée. S'assurer que de la poussière, de la peluche, des cheveux ou d'autres matières ne réduisent pas le débit d'air.
11. Maintenir les cheveux, les vêtements amples, les doigts et toutes les parties du corps à l'écart des ouvertures et des pièces mobiles.
12. Mettre toutes les commandes à la position ARRÊT avant de débrancher l'appareil.
13. User de prudence lors du nettoyage des escaliers.
14. Utiliser à l'intérieur seulement. N'entrez pas la machine à l'extérieur et évitez qu'elle ne soit mouillée.

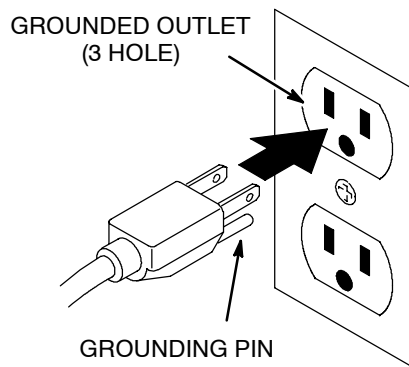
ÉCONOMISER CES INSTRUCTIONS

GROUNDING INSTRUCTIONS

This appliance must be grounded. If it should malfunction or breakdown, grounding provides a path of least resistance for electric current to reduce the risk of electric shock. This appliance is equipped with a cord having an equipment-grounding conductor and grounding plug. The plug must be plugged into an appropriate outlet that is properly installed and grounded in accordance with all local codes and ordinances.

⚠ WARNING - Improper connection of the equipment-grounding conductor can result in a risk of electric shock. Check with a qualified electrician or service person if you are in doubt as to whether the outlet is properly grounded. Do not modify the plug provided with the appliance - if it will not fit the outlet, have a proper outlet installed by a qualified electrician.

This appliance is for use on a nominal 120-volt circuit and has a grounding attachment plug that looks like the plug illustrated in sketch. Make sure that the appliance is connected to an outlet having the same configuration as the plug. No adaptor should be used with this appliance.

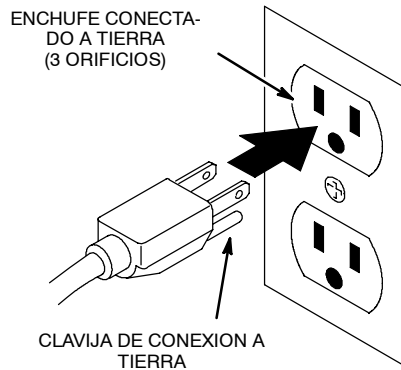


INSTRUCCIONES DE CONEXION A TIERRA

Este artefacto debe conectarse a tierra. Si funciona mal o se descompone, la conexión a tierra provee una trayectoria de menor resistencia para la corriente eléctrica, para reducir el riesgo de choque eléctrico. Este artefacto está provisto con un cordón que tiene un conductor de conexión a tierra del equipo y un enchufe de conexión a tierra. El enchufe debe enchufarse a un tomacorrientes apropiado que esté correctamente instalado y conectado a tierra de acuerdo con todos los códigos y ordenanzas locales.

⚠ ADVERTENCIA: La conexión incorrecta del conductor de conexión a tierra del equipo puede resultar en un riesgo de choque eléctrico. Consultar con un electricista calificado o persona de servicio si existen dudas acerca de si el tomacorrientes está correctamente conectado a tierra. No se debe modificar el enchufe provisto con el artefacto - si no se inserta en el tomacorrientes hacer que un electricista calificado instale un tomacorrientes correcto.

Este artefacto es para usar en un circuito nominal de 120 voltios y tiene un enchufe de aditamento para conectar a tierra que se parece al enchufe ilustrado en la figura. Asegurarse que el artefacto esté conectado a un tomacorrientes con la misma configuración que el enchufe. No se debe usar un adaptador con este artefacto.

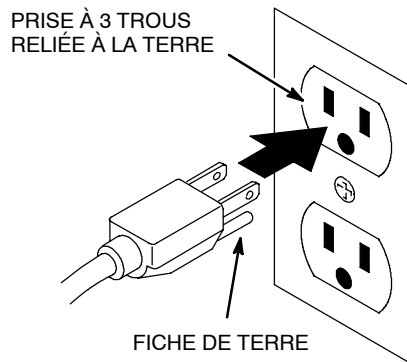


INSTRUCTIONS VISANT LA MISE 'A LA TERRE

Cet appareil doit être mis à la terre. En cas de défaillance ou de panne éventuelles, la mise à la terre fournit au courant un chemin de moindre résistance qui réduit le risque de choc électrique. Cet appareil est pourvu d'un cordon muni d'un conducteur de terre et d'une fiche avec broche de terre. La fiche doit être branchée dans une prise appropriée correctement installée et mise à la terre conformément aux règlements et ordonnances municipaux.

AVERTISSEMENT. Un conducteur de terre mal raccordé peut entraîner un risque de choc électrique. Consulter un électricien ou un technicien d'entretien qualifié si vous n'êtes pas certain que la prise est correctement mise à la terre. Ne pas modifier la fiche fournie avec l'appareil - si elle ne peut être insérée dans la prise, faire installer une prise adéquate par un électricien qualifié.

Cet appareil est destiné à un circuit de 120 v et est muni d'une fiche de mise à la terre semblable à celle illustrée par le croquis. S'assurer que l'appareil est branché à une prise de courant ayant la même configuration que la fiche. Aucun adaptateur ne devrait être utilisé avec cet appareil.




This manual is furnished with each new model. It provides necessary operation and maintenance instructions and an illustrated parts list.

Read this manual completely and understand the machine before operating or servicing it.

When ordering replacement parts, use the parts list section in this manual. Before ordering parts or supplies, be sure to have your machine model number and serial number available. Parts and supplies may be ordered by phone or mail from any authorized Service Center or Distributor.


This machine will provide excellent service. However, the best results will be obtained at minimum costs if:

- The machine is operated with reasonable care.
- The machine is maintained regularly - per the machine care instructions provided.
- The machine is maintained with manufacturer supplied or equivalent parts.



PROTECT THE ENVIRONMENT

Please dispose of packaging materials and old machine components in an environmentally safe way according to local waste disposal regulations.



Always remember to recycle.

MACHINE DATA

Please fill out at time of installation for future reference.

Model No. - _____

Serial No. - _____

Machine Options - _____

Sales Rep. - _____

Sales Rep. phone no. - _____

Customer Number - _____

Installation Date - _____

TENNANT Company

PO Box 1452

Minneapolis, MN 55440 USA

Phone: (800) 553-8033 or (763) 513-2850

www.tennantco.com

Specifications and parts are subject to change without notice.

Copyright © 2002, 2003, 2006, 2008 TENNANT Company,

All rights reserved. Printed in U.S.A.

TABLE OF CONTENTS (ESPAÑOL....15)

(FRANÇAIS....25)

SAFETY PRECAUTIONS 8

 GROUNDING INSTRUCTIONS 9

WARNING LABEL 9

MACHINE COMPONENTS 10

MACHINE SETUP 10

 INSTALLING PAD 10

 INSTALLING DUST CONTROL BAG 11

MACHINE OPERATION 11

MACHINE MAINTENANCE 12

STORING MACHINE 13

TRANSPORTING MACHINE 13

RECOMMENDED STOCK ITEMS 13

TROUBLE SHOOTING 13

SPECIFICATIONS 14

MACHINE DIMENSIONS 14

ELECTRICAL DIAGRAM 35

PARTS LIST 36

 HANDLE GROUP (10414677-) ... 36

 HANDLE GROUP (00000000-10414676) ... 38

 BASE GROUP 40

 PAD DRIVER GROUP 42


OPERATION

SAFETY PRECAUTIONS

This machine is intended for commercial use. It is designed exclusively to burnish dry hard floors in an indoor environment and is not constructed for any other use. Use only recommended burnishing pads and commercially available floor cleaners and waxes intended for machine application.

All operators must read, understand and practice the following safety precautions.

The following warning alert symbol and the "FOR SAFETY" heading are used throughout this manual as indicated in their description:

 **WARNING:** To warn of hazards or unsafe practices which could result in severe personal injury or death.

FOR SAFETY: To identify actions which must be followed for safe operation of equipment.

Failure to follow these warnings may result in: personal injury, electrocution, electric shock, fire or explosion:

 **WARNING:** Do Not Use Flammable Liquids Or Operate Machine In Or Near Flammable Liquids, Vapors Or Combustible Dusts.

This machine is not equipped with an explosion proof motor. The electric motor will spark upon start up and during operation which could cause a flash fire or explosion if machine is used in an area where flammable vapors/liquids or combustible dusts are present.

 **WARNING:** Do Not Operate With Damaged Power Cord. Do Not Modify Plug. Unplug Power Cord Before Servicing Machine

If the supply cord is damaged or broken, it must be replaced by the manufacturer or it's service agent or a similarly qualified person in order to avoid a hazard.

 **WARNING:** Do Not Use Outdoors. Do Not Expose to Rain. Store Indoors.

The following information signals potentially dangerous conditions to the operator or equipment:

FOR SAFETY:

1. Do not operate machine:
 - With flammable liquids or near flammable vapors as an explosion or flash fire may occur.

- Unless trained and authorized.
- Unless operator manual is read and understood.
- Unless cord is properly grounded.
- With damaged cord or plug.
- If not in proper operating condition.
- In outdoor areas.
- In standing water.
- Without dust bag in place.
- With the use of an extension cord.

2. Before operating machine:

- Make sure all safety devices are in place and operate properly.
- Remove loose objects on floor to prevent dangerous projectiles if struck by spinning pad.

3. When using machine:

- Stay clear of spinning pad.
- Do not run machine over cord.
- Do not pull machine by plug or cord.
- Do not pull cord around sharp edges or corners.
- Wear non-slip shoes.
- Do not close doors on cord.
- Do not unplug by pulling on cord.
- Do not stretch cord.
- Do not handle plug with wet hands.
- Keep cord away from heated surfaces.
- Never activate the power when the handle is in the upright position.
- Do not release handles until pad comes to a complete stop.
- Go slow on inclines and slippery surfaces.
- Never allow children to play on or around.
- Report machine damage or faulty operation immediately.

4. Before leaving or servicing machine:

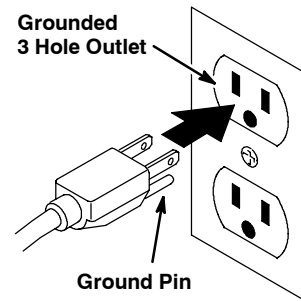
- Turn off machine.
- Unplug cord from wall outlet.

5. When servicing machine:

- Unplug cord from wall outlet.
- Avoid moving parts. Do not wear loose jackets, shirts, or sleeves.
- Use manufacturer supplied or approved replacement parts.
- All repairs must be performed by a qualified service person.
- Do not modify the machine from it's original design.

6. When transporting machine:
- Get assistance when lifting machine.
 - Unplug cord from wall outlet.
 - Use tie-down straps to secure machine to truck or trailer.

The plug must be plugged into an appropriate outlet that is properly installed in accordance with all local codes and ordinances. Do not remove ground pin; if missing, replace plug before use.



GROUNDING INSTRUCTIONS

Machine must be grounded. If it should malfunction or breakdown, grounding provides a path of least resistance for electrical current to reduce the risk of electrical shock. This machine is equipped with a cord having an equipment-grounding conductor and grounding plug.

WARNING LABEL

The warning label appears on the machine in the location indicated. Replace label if it becomes damaged or illegible.

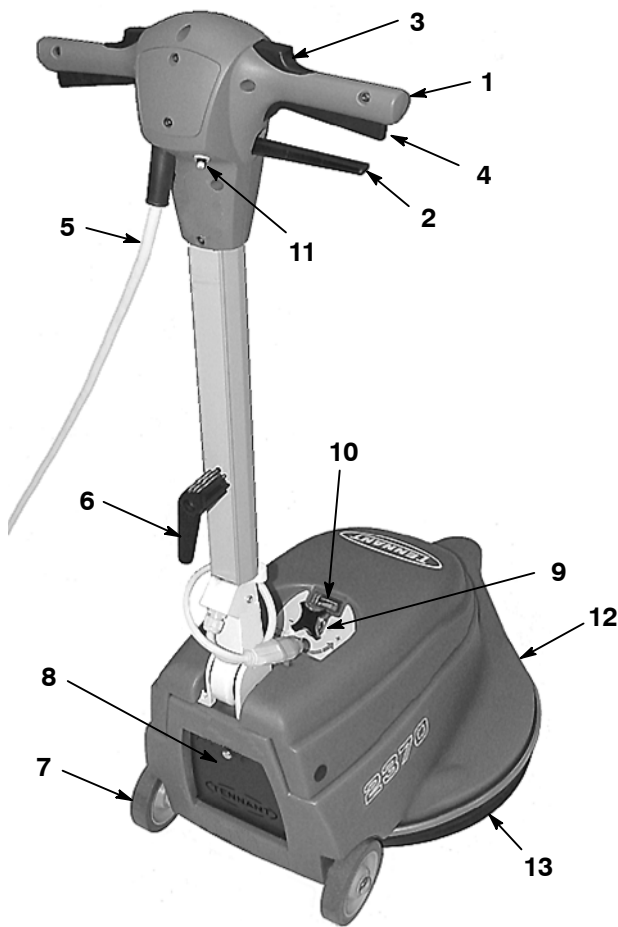
WARNING LABEL - Located on top of machine base.



	⚠ WARNING	⚠ AVERTISSEMENT	⚠ ADVERTENCIA
   	<p>EXPLOSION, FIRE AND SHOCK HAZARD. AVOID INJURY.</p> <ul style="list-style-type: none"> • Do Not Use Flammable Liquids or Operate Near Flammable Liquids, Vapors or Combustible Dusts. • Do Not Operate with Damaged Power Cord. Do Not Modify Plug. Unplug Power Cord Before Servicing Machine. • Do Not Use Outdoors. Do Not Expose to Rain. Store Indoors. 	<p>RISQUE D'EXPLOSION, D'INCENDIE ET DE DÉCHARGE. ÉVITEZ LES BLESSURES.</p> <ul style="list-style-type: none"> • N'utilisez Pas de Liquides Inflammables ou Prés de Liquides ou Vapeurs Inflammables ou Poussières Combustibles. • N'utilisez Pas la Machine Avec un Cordon d'Alimentation Endommagé. Ne Modifiez Pas la Prise. Débranchez le Cordon d'Alimentation Avant d'Entretenir la Machine. • N'utilisez Pas en Extérieur. N'Exposez Pas à la Pluie. Entrezposez à l'Intérieur. 	<p>PELIGRO DE EXPLOSIÓN, FUEGO, DESCARGA EVITE LESIONES.</p> <ul style="list-style-type: none"> • No Use Líquidos Flamables Y No Use Cerca De Líquidos Flamables, Vapores Ó Materiales Combustibles. • No Use Con Cable de Corriente Dañado. No Altere El Enchufe. Desconecte Cable De Corriente Antes Del Mantenimiento. • No Use Al Aire Libre. No Exponga A La Lluvia. Guarde Bajo Techo.
			1026786

OPERATION

MACHINE COMPONENTS



1. Adjustable Control Handle
2. Handle Height Adjustment lever
3. Safety Lock Buttons
4. On/Off Levers
5. 23 M (75') Power Cord
6. Quick Release Power Cord Storing Hook
7. Transport Wheels
8. Dust Bag Housing
9. Pad Pressure Adjustment Knob
10. Pad Pressure Meter
11. Circuit Breaker Reset Button
12. Base
13. Dust Control Skirt

MACHINE SETUP

Carefully check carton for signs of damage. Report damages at once to carrier.

INSTALLING PAD

1. Unplug the cord from the wall outlet.

FOR SAFETY: Before leaving or servicing machine, unplug cord from wall outlet.

2. Select and install a recommended pad that best meets your burnishing needs.

NOTE: Consult your authorized distributor for pad recommendations. Use only manufacturer supplied or approved pads.

NOTE: Machine is not designed for spray buffing.

3. Pull the handle height adjustment lever and raise the handle to the upright position. Carefully tilt the machine backwards and rest the handle on the floor (Figure 1).

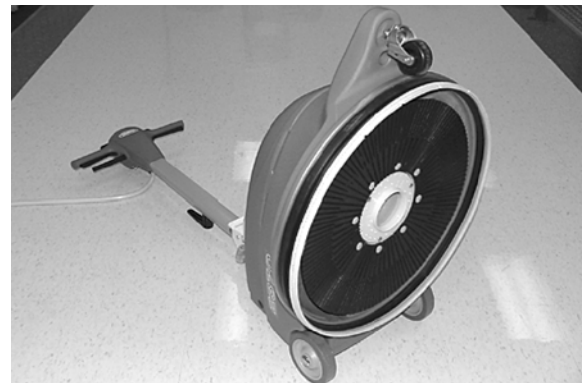


FIG. 1

4. Remove the plastic centerlock ring from the pad driver. Position the pad on the pad driver and replace the ring securely by turning it clockwise (Figure 2).

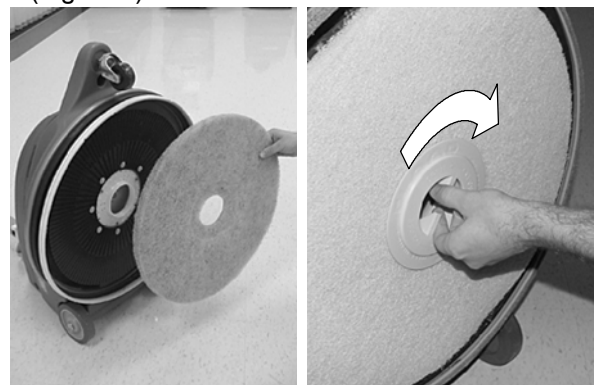


FIG. 2

5. After installing pad, return the machine to the upright position.

INSTALLING DUST CONTROL BAG

1. Open the dust bag compartment at rear of machine by turning the knob counter-clockwise (Figure 3).
2. Slide the dust control bag collar over the intake tube as shown. Prior to operating, always check that an empty dust bag is installed (Figure 3).



FIG. 3

MACHINE OPERATION

FOR SAFETY: Do not operate machine unless operator manual is read and understood.

⚠ WARNING: Do Not Use Flammable Liquids Or Operate Machine In Or Near Flammable Liquids, Vapors Or Combustible Dusts.

This machine is not equipped with an explosion proof motor. The electric motor will spark upon start up and during operation which could cause a flash fire or explosion if machine is used in an area where flammable vapors/liquids or combustible dusts are present.

NOTE: Make sure the floor is completely dry.

1. Pull and turn the quick-release cord hook upward and remove the power cord from the machine (Figure 4).

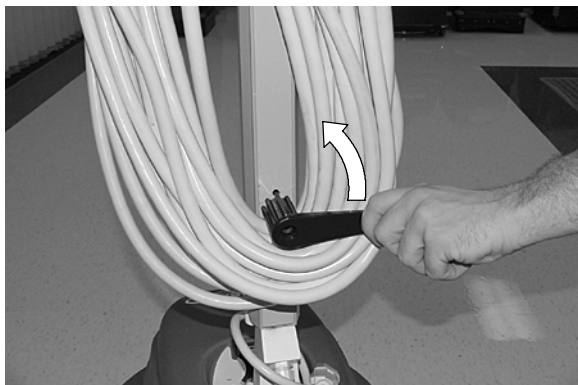


FIG. 4

2. Plug the power cord into a grounded wall outlet (Figure 5).

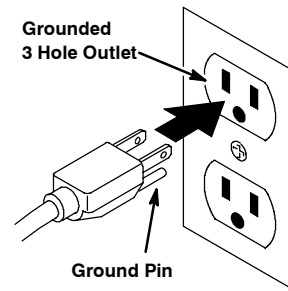


FIG. 5

FOR SAFETY: Do not operate machine unless cord is properly grounded. Do not operate machine with damaged cord or plug. Do not operate machine with the use of an extension cord.

3. Lower the handle to a desired operating height by pulling the handle height adjustment lever. Release lever to engage handle (Figure 6).



FIG. 6

4. To begin burnishing, depress the safety lock buttons, located on top of the handle, then pull the On/Off levers. Release the safety lock buttons once the machine starts (Figure 7).

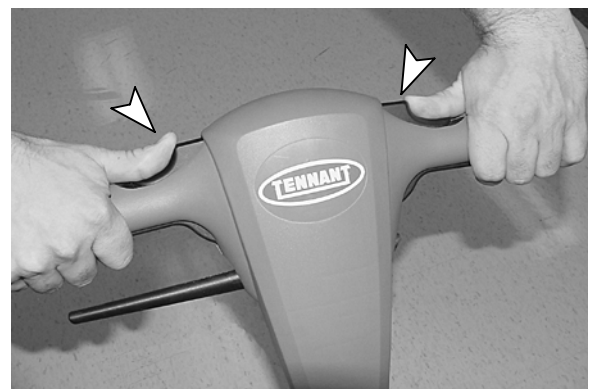


FIG. 7

NOTE: As a safety feature, the handle must be lowered from the upright position in order to activate the ON/OFF levers.

OPERATION

- To adjust the pad pressure, turn the adjustment knob counter-clockwise to increase pad pressure and clockwise to decrease (Figure 8). Do not adjust the pad pressure meter in the red zone, motor and floor damage may result.

FOR SAFETY: When using machine, stay clear of spinning pad.



FIG. 8

- Begin burnishing by working away from the cord and wall outlet. Use a forward and backward “W” pattern motion or a straight path and return motion.

FOR SAFETY: When using machine, do not release handles until pad comes to a complete stop.

NOTE: The machine's circuit breaker will trip under conditions of excessive motor overload. If circuit breaker should trip, readjust the pad pressure, change to a less aggressive pad and periodically check pad for soil build-up. To reset circuit breaker, unplug power cord, wait at least 15 seconds and press the reset button located on handle.

- Do not operate the machine in the same spot for a long period of time. Floor damage may result.
- To maneuver over thresholds and floor grates, stop the machine and tilt it back on the rear wheels.

FOR SAFETY: When transporting machine, get assistance when lifting machine.

- To stop machine, release the On/Off levers. The safety lock button will automatically engage.
- When done burnishing perform the following machine maintenance procedures.

MACHINE MAINTENANCE

FOR SAFETY: Before leaving or servicing machine, unplug cord from wall outlet.

- After each use, unplug the power cord and inspect the burnishing pad for wear. If worn, remove the burnishing pad and flip it over or replace the pad (Figure 9).

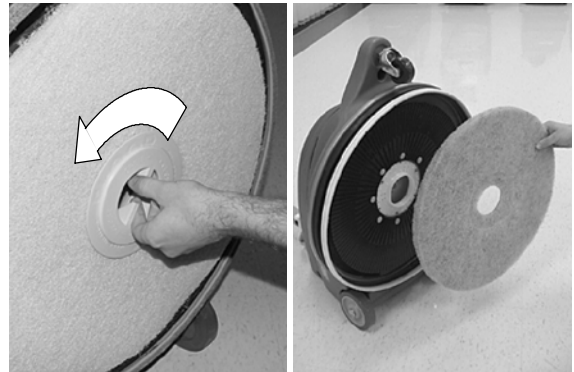


FIG. 9

- Remove and empty the dust bag after each use (Figure 10).



FIG. 10

- Clean the machine with an all purpose cleaner after each use.
- Check the condition of the dust skirt, replace if worn.
- Inspect the power cord for damage after each use. If worn or damaged, replace cord immediately.
- Wipe the power cord with damp cloth and neatly coil it around cord hook and handle after each use.
- Periodically check that all bolts and nuts are tight.
- Every 250 hours of operation, check the motor for carbon brush wear. Replace brushes when worn to a length of 1 cm (3/8 in) or less. Contact an Authorized Service Center for carbon brush inspection.

⚠ WARNING: Do Not Operate With Damaged Power Cord. Do Not Modify Plug. Unplug Power Cord Before Servicing Machine

STORING MACHINE

1. Unplug the power cord and remove the pad from the machine. Neatly coil the cord around the cord hook and handle to prevent cord damage (Figure 11).
2. Store the machine in a dry area with the handle positioned upward or folded down.
3. For minimal storage space, fold the handle down and store the machine as shown (Figure 11).

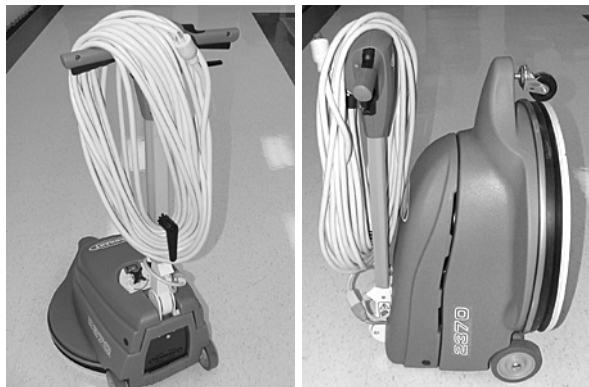


FIG. 11

⚠ WARNING: Do Not Use Outdoors. Do Not Expose to Rain. Store Indoors.

TRANSPORTING MACHINE

1. Unplug the power cord and remove the pad from the machine. Neatly coil the cord around the cord hook and handle.
2. Load the machine using a recommended loading ramp or carefully lift the machine with adequate assistance.

FOR SAFETY: When transporting machine, get assistance when lifting machine.

3. Secure machine with tie-down straps when transporting by vehicle.

⚠ WARNING: Do Not Use Outdoors. Do Not Expose to Rain. Store Indoors.

RECOMMENDED STOCK ITEMS

Refer to the Parts List section for recommended stock items. Stock Items are clearly identified with a bullet preceding the parts description as shown (Figure 12).

Ref.	Part No.	Description	Qty.
1	701103	ASM, STANDPIPE	1
2	180613	•FLOAT, SHUTOFF	1
3	230187	NIPPLE	1
4	101714	•GASKET	1
5	210240	NUT, FLANGED	1

FIG. 12

TROUBLE SHOOTING

PROBLEM	CAUSE	SOLUTION
Machine does not operate.	Machine is unplugged.	Plug machine in.
	The cord connection between the handle and the base is not properly connected.	Ensure proper cord connection.
	Machine circuit breaker tripped.	Reset the circuit breaker on machine.
	Building circuit breaker tripped.	Reset circuit breaker in building.
	Faulty power cord.	Contact Service Center.
	Faulty wiring.	Contact Service Center.
	Faulty On/Off Lever Switch.	Contact Service Center.
Machine circuit breaker trips continuously.	Faulty rectifier.	Contact Service Center.
	Excessive pad pressure.	Adjust pad pressure knob.
	Heavily soiled pad.	Replace Pad.
	Improper pad for application	Change to proper pad.
	Faulty circuit breaker.	Contact Service Center.
	Worn carbon brushes in motor.	Contact Service Center.

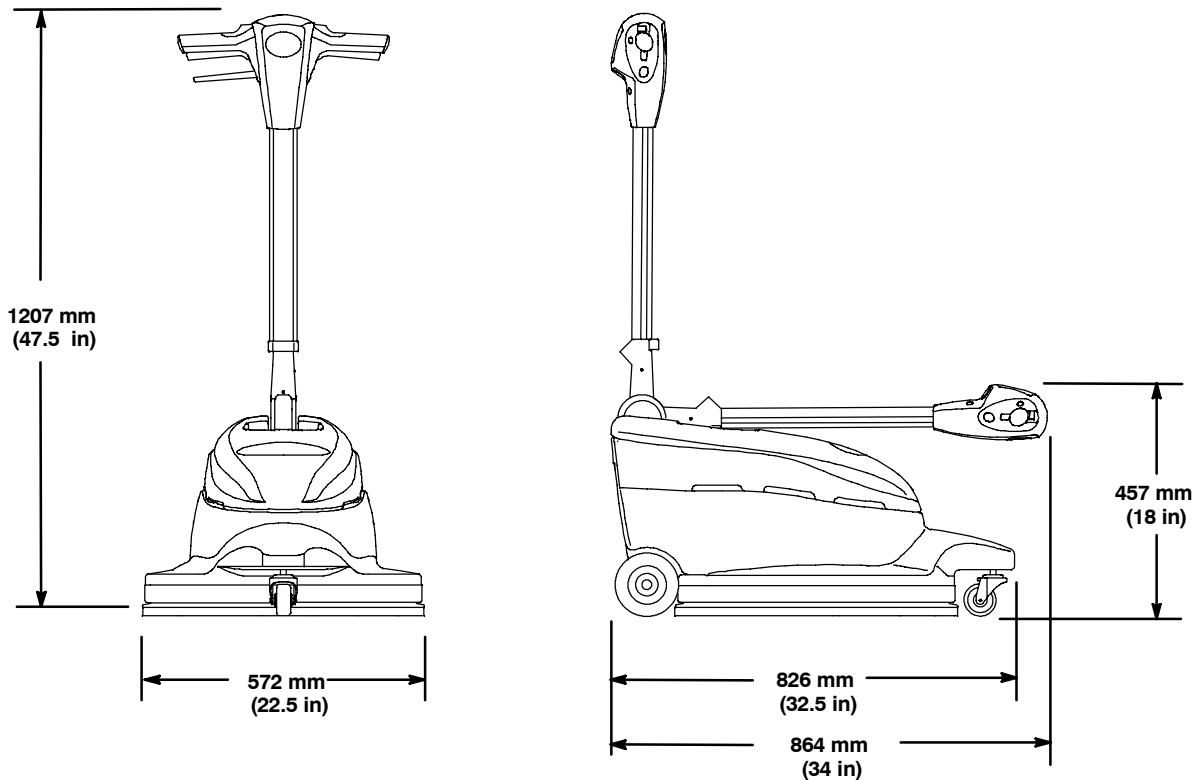
OPERATION

SPECIFICATIONS

MODEL	2370
LENGTH	826mm (32.5 in)
WIDTH	572mm (22.5 in)
HEIGHT	1207mm (47.5 in)
HEIGHT - HANDLE FOLDED	457mm (18 in)
WEIGHT	42 Kg (92 lbs) / 36 Kg (80 lbs) less power cord
DRIVE MOTOR	120V - 1.5 hp 15AMP 60Hz
PAD/BRUSH SPEED	2000 RPM @ 15 AMPS
BRUSH PAD DIAMETER	508mm (20 in)
DECIBEL RATING AT OPERATOR'S EAR, INDOORS ON TILE FLOOR	66dB(A)
POWER CORD LENGTH	23m (75 ft)
OPERATING VOLTAGE	120V / 60 Hz

Specifications are subject to change without notice.

MACHINE DIMENSIONS




Este manual se provee con cada nuevo modelo. Proporciona las instrucciones necesarias de operación y mantenimiento y una lista ilustrada de piezas.

Leer este manual completamente y entender la máquina antes de operar o prestar servicio.

Al ordenar piezas de repuesto, usar la sección de lista de piezas en este manual. Antes de ordenar piezas o suministros, asegurarse de tener disponible el número de modelo y el número de serie disponible. Las piezas y suministros pueden ordenarse por teléfono o por correo de cualquier Centro de Servicio o Distribuidor, autorizados.

Esta máquina provee un excelente servicio. Sin embargo, los mejores resultados se obtienen a un costo mínimo si:

- La máquina se opera con un cuidado razonable.
- La máquina se mantiene regularmente - según las instrucciones de cuidado de la máquina provistas.
- La máquina se mantiene con piezas provistas por el fabricante o equivalentes.



PROTECCIÓN DEL MEDIO AMBIENTE

Deseche el material de embalaje y los componentes usados de la máquina de forma segura para el medio ambiente, de acuerdo con las normativas locales sobre desecho de residuos.

No olvide reciclar.

DATOS DE LA MÁQUINA

Rellénela cuando realice la instalación para utilizarla como referencia en el futuro.

Modelo nº - _____

Nº de serie - _____

Opciones de la máquina - _____

Vendedor - _____

Nº de teléfono del vendedor - _____

Nº de cliente - _____

Fecha de instalación - _____

TENNANT Company

PO Box 1452

Minneapolis, MN 55440 EE.UU.

Teléfono: (800) 553-8033 o (763) 513-2850

www.tennant.com

Las características técnicas y las piezas están sujetas a modificaciones sin previo aviso.

Copyright © 2002, 2003, 2006, 2008 TENNANT COMPANY.
Todos los derechos reservados. Impreso en EE. UU.

TABLA DE MATERIAS


PRECAUCIONES DE SEGURIDAD	16	ARTICULOS RECOMENDADOS A	
INSTRUCCIONES DE CONEXION		MANTENER EN STOCK	23
A TIERRA	17	LOCALIZACIÓN DE AVERÍAS	23
ADHESIVO DE SEGURIDAD	18	ESPECIFICACIONES	24
COMPONENTES DE LA MÁQUINA	19	DIMENSIONES DE LA MÁQUINA	24
PREPARACION DE LA MÁQUINA	19	DIAGRAMAS ELECTRICAS	35
INSTALACION DE LA ALMOHADILLA	19	LISTA DE PIEZAS	36
INSTALACION DE LA BOLSA DE		GRUPO DE LE MANIJA (10414677-)	36
CONTROL DE POLVO	20	GRUPO DE LE MANIJA (00000000-10414676)	38
OPERACION DE LA MÁQUINA	20	BASE GRUPO	40
MANTENIMIENTO DE LA MÁQUINA	22	GRUPO IMPULSOR DE LA ALMOHADILLA .	42
ALMACENAMIENTO DE LA MÁQUINA	22		
TRANSPORTE DE LA MÁQUINA	23		

PRECAUCIONES DE SEGURIDAD

Esta máquina sólo se usa para uso comercial. Está diseñada exclusivamente para pulir pisos secos duros en un ambiente interior y no se construye para ningún otro uso. Usa sólo almohadillas/cepillos recomendados y limpiadores de suelo y ceras disponibles comercialmente y ceras destinados para la aplicación de la máquina.


Todos los operadores deben leer, entender y practicar las precauciones siguientes de seguridad.

El siguiente símbolo de alerta de advertencia y el encabezamiento de "PARA SEGURIDAD" se usan en este manual como se indica en su descripción:


 **ADVERTENCIA:** Para advertir de riesgos o prácticas inseguras que podrían resultar en lesiones personales graves o la muerte.

PARA SEGURIDAD: Para identificar acciones que deben seguirse para el funcionamiento seguro del equipo.


El no seguir estas advertencias puede resultar en: lesiones personales, electrocución, choque eléctrico, fuego o explosión:

 **ADVERTENCIA:** No use líquidos inflamables ni opere la máquina en o cerca de líquidos y vapores inflamables o polvos combustibles.

Esta máquina no está provista con un motor a prueba de explosión. El motor eléctrico chispea en el arranque y durante el funcionamiento lo que podría causar un fuego explosivo o explosión si la máquina se usa en una área donde están presentes vapores/líquidos inflamables o polvos combustibles.

 **ADVERTENCIA:** No opere con un cordón eléctrico dañado. No modifique el enchufe. Desenchufe el cordón eléctrico antes de reparar la máquina.

Si el cordón del suministro se daña o se rompe, debe ser reemplazado por el fabricante o su agente de servicio o una persona similarmente calificada para evitar un riesgo.

 **ADVERTENCIA:** No use al aire libre. No exponga a la lluvia. Almacene bajo techo.

La información siguiente señala condiciones potencialmente peligrosas para el operador o el equipo:

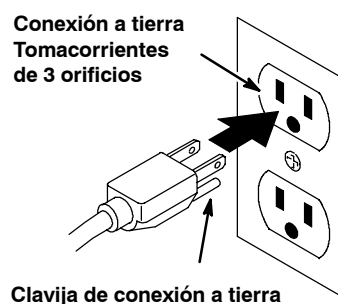
PARA SEGURIDAD:

1. No opere la máquina:
 - Con líquidos inflamables o cerca de los vapores inflamables ya que puede ocurrir una explosión o fuego explosivo.
 - A menos que se capacitó y fue autorizado.
 - A menos que el manual del operador se lea y entienda.
 - A menos que el cordón se conecte apropiadamente a tierra.
 - Con un cordón o enchufe dañados.
 - Si no está en una condición apropiada de operación.
 - En áreas al aire libre.
 - En agua estancada.
 - Sin bolsa del polvo en lugar.
 - Con el uso de una extensión de cordón.
2. Antes de operar máquina:
 - Asegúrese que todos los dispositivos de seguridad están en su lugar y operando apropiadamente.
 - Quite objetos sueltos en suelo para prevenir proyectiles peligrosos si son golpeados por la almohadilla giratoria.
3. Al usar máquina:
 - Aléjese de la almohadilla giratoria.
 - No pase la máquina encima del cordón.
 - No tire de la máquina por el enchufe o el cordón.
 - No tire del cordón alrededor de bordes o esquinas aguzados.
 - Use zapatos antiresbalosos.
 - No cierre las puertas sobre el cordón.
 - No desenchufe tirando del cordón.
 - No estire el cordón.
 - No maneje el enchufe con las manos húmedas.
 - Mantenga el cordón lejos de las superficies calientes.
 - Nunca active la potencia cuando la manija esté en posición vertical.
 - No suelte las manijas hasta que la almohadilla se detenga completa.
 - Proceda con lentitud en las cuestas y las superficies resbaladizas.
 - Nunca permita que los niños jueguen en o alrededor de la máquina.
 - Informe inmediatamente acerca de daños o una operación defectuosa de la máquina.

4. **Antes de dejar o reparar la máquina:**
 - Apague la máquina.
 - Desconecte el cable del enchufe de la pared.
5. **Al prestar servicio a la máquina:**
 - Desenchufe cordón del tomacorriente de la pared.
 - Evite las piezas móviles. No use chaquetas, camisas, o mangas, holgadas.
 - Use piezas de repuesto provistas o aprobadas por el fabricante
 - Todas las reparaciones se deben realizar por una persona cualificada para el servicio.
 - No modifique la máquina de su diseño original.
6. **Al transportar máquina:**
 - Obtenga ayuda al alzar la máquina.
 - Desenchufe cordón del tomacorriente de la pared.
 - Use correas de amarre para asegurar la máquina al camión o remolque.

INSTRUCCIONES DE CONEXION A TIERRA

La máquina debe conectarse a tierra. En caso de mal funcionamiento o desarreglo, la conexión a tierra provee un recorrido de menor resistencia para la corriente eléctrica para reducir el riesgo de choque eléctrico. Esta máquina está equipada con un cordón con un conductor de conexión a tierra del equipo y enchufe de conexión a tierra. El enchufe debe enchufarse en un tomacorrientes apropiado correctamente instalado de acuerdo con todos los códigos y ordenanzas locales. No extraer la clavija de conexión a tierra; si falta, reemplazar el enchufe antes de usar.



ADHESIVO DE SEGURIDAD

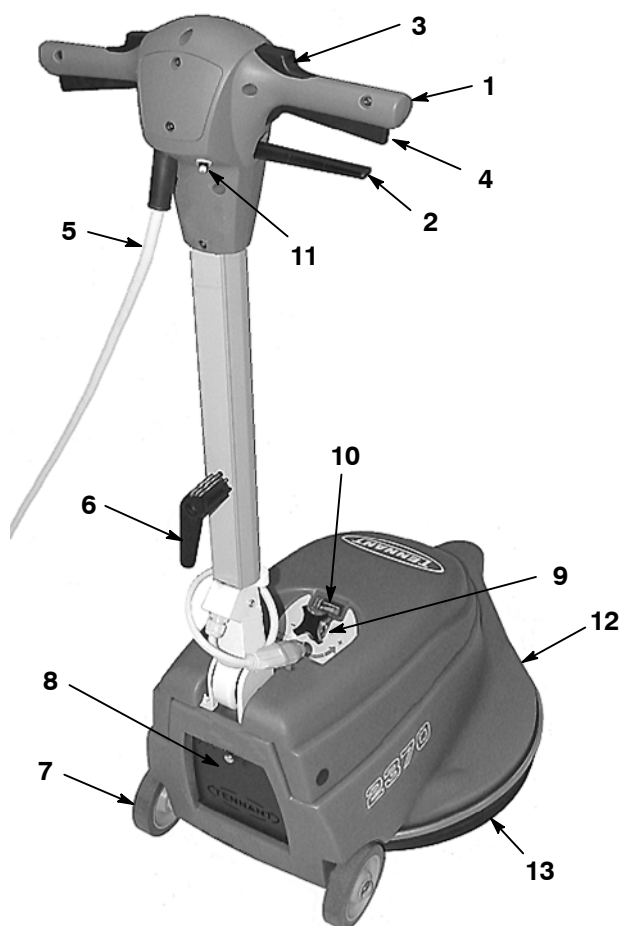
La adhesivo de seguridad aparece en la máquina en la localización indicada. Sustituya el adhesivo si se ha desprendido, o está deteriorado o son ilegible.

ETIQUETA DE ADVERTENCIA - Ubicada encima de la máquina.



	⚠ WARNING	⚠ AVERTISSEMENT	⚠ ADVERTENCIA
	EXPLOSION, FIRE AND SHOCK HAZARD. AVOID INJURY.	RISQUE D'EXPLOSION, D'INCENDIE ET DE DÉCHARGE. ÉVITEZ LES BLESSURES.	PELIGRO DE EXPLOSIÓN, FUEGO, DESCARGA EVITE LESIONES.
	• Do Not Use Flammable Liquids or Operate Near Flammable Liquids, Vapors or Combustible Dusts.	• N'utilisez Pas de Liquides Inflammables ou Prés de Liquides ou Vapeurs Inflammables ou Poussières Combustibles.	• No Use Líquidos Flamables Y No Use Cerca De Líquidos Flamables, Vapores Ó Materiales Combustibles.
	• Do Not Operate with Damaged Power Cord. Do Not Modify Plug. Unplug Power Cord Before Servicing Machine.	• N'utilisez Pas la Machine Avec un Cordon d'Alimentation Endommagé. Ne Modifiez Pas la Prise. Débranchez le Cordon d'Alimentation Avant d'Entretienir la Machine.	• No Use Con Cable de Corriente Dañado. No Altere El Enchufe. Desconecte Cable De Corriente Antes Del Mantenimiento.
	• Do Not Use Outdoors. Do Not Expose to Rain. Store Indoors.	• N'utilisez Pas en Extérieur. N'Exposez Pas à la Pluie. Entreposez à l'Intérieur.	• No Use Al Aire Libre. No Exponga A La Lluvia. Guarde Bajo Techo.
			1026786

COMPONENTES DE LA MÁQUINA



1. Mango de control
2. Palanca de ajuste de altura del mango
3. Botón de la traba de seguridad
4. Palancas On/Off
5. Cordón eléctrico
6. Gancho para enrollar el cordón eléctrico
7. Ruedas de transporte
8. Cerramiento de la bolsa de polvo
9. Perilla de ajuste de presión de la almohadilla
10. Medidor de presión de la almohadilla
11. Botón para reguardar el interruptor de circuitos
12. Base
13. Faldón de control de polvo

PREPARACION DE LA MÁQUINA

Inspeccionar cuidadosamente la caja por señales de daños. Informar inmediatamente acerca de daños, al transportista.

INSTALACION DE LA ALMOHADILLA

1. Desenchufar el cordón del tomacorrientes de la pared.

PARA SEGURIDAD: Antes de dejar o reparar la máquina, desconecte el cable del enchufe de la pared.

2. Seleccionar e instalar una almohadilla recomendada que mejor se adapte a las necesidades de pulido.

NOTA: Consultar su distribuidor autorizado por recomendaciones de almohadillas. Usar sólo almohadillas provistas o aprobadas por el fabricante.

NOTA: La máquina no está diseñada para pulido con rociado.

3. Tirar de la palanca de altura del mango y elevar el mango a la posición vertical. Inclinar cuidadosamente la máquina hacia atrás y apoyar el mango sobre el piso (Figura 1).

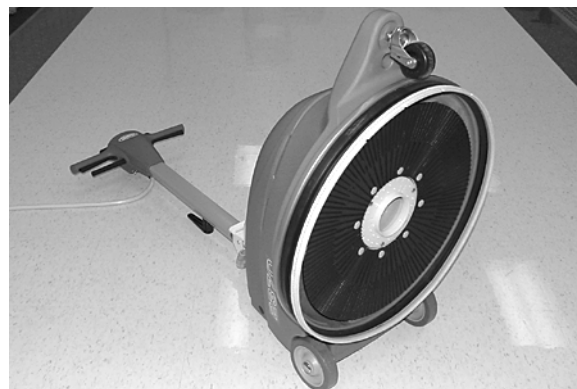


FIG. 1

OPERACIÓN

4. Extraiga del impulsor de la almohadilla el anillo central de fijación de plástico. Coloque la almohadilla en su impulsor y vuelva a instalar firmemente el anillo girándolo en el sentido de las agujas del reloj (Figura 2).

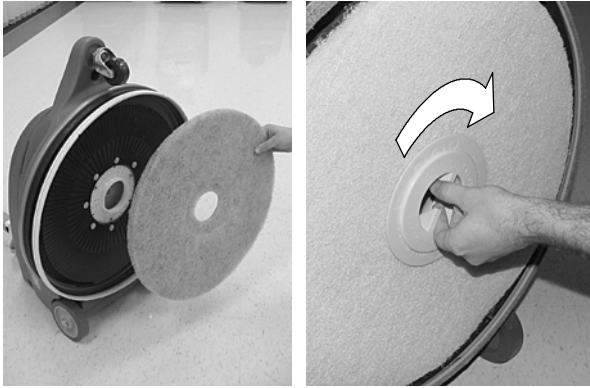


FIG. 2

5. Después de instalar la almohadilla, retornar la máquina a la posición vertical.

INSTALACION DE LA BOLSA DE CONTROL DE POLVO

1. Abrir el compartimiento de la bolsa de polvo en la parte posterior de la máquina girando la perilla en sentido contrario a las agujas del reloj (Figura 3).
2. Deslizar el collar de la bolsa de control de polvo sobre el tubo de toma según indicado. Previo a operar, inspeccionar siempre que esté instalada una bolsa vacía de polvo (Figura 3).



FIG. 3

OPERACION DE LA MÁQUINA

PARA SEGURIDAD: No utilice la máquina salvo que el operario haya leído y comprendido el manual de instrucciones.

⚠ ADVERTENCIA: No use líquidos inflamables ni opere la máquina en o cerca de líquidos y vapores inflamables o polvos combustibles.

Esta máquina no está provista con un motor a prueba de explosión. El motor eléctrico chispea en el arranque y durante el funcionamiento lo que podría causar un fuego explosivo o explosión si la máquina se usa en una área donde están presentes vapores/líquidos inflamables o polvos combustibles.

NOTA: Asegúrese que el piso está completamente seco.

1. Tirar y girar el gancho para de desenganche rápido para enrollar el cordón eléctrico hacia arriba y extraer el cordón eléctrico de la máquina (Figura 4).

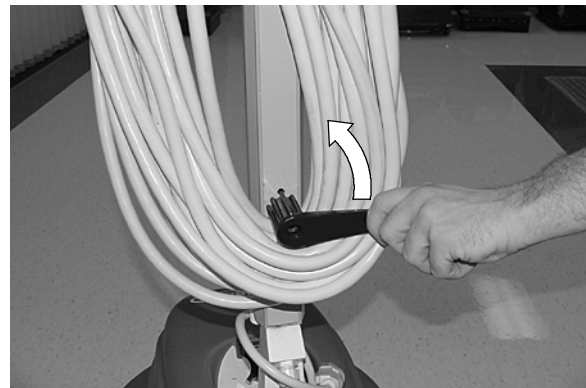


FIG. 4

2. Enchufar el cordón eléctrico a un tomacorrientes de pared conectado a tierra (Figura 5).

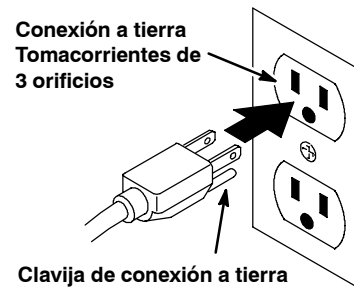


FIG. 5

PARA SEGURIDAD: No operar la máquina a menos que la máquina esté bien conectada a tierra. No operar la máquina con un cordón o enchufe dañado. No operar la máquina con el uso de un cordón de extensión.

3. Bajar el mango a la altura deseada de operación tirando de la palanca de ajuste de la altura del mango. Soltar la palanca para enganchar el mango (Figura 6).



FIG. 6

4. Para comenzar a pulir, oprima los botones de traba de seguridad, ubicados al tope del mango, a continuación tire de las palancas On/Off. Una vez que la máquina arranca suelte los botones de traba de seguridad (Figura 7).

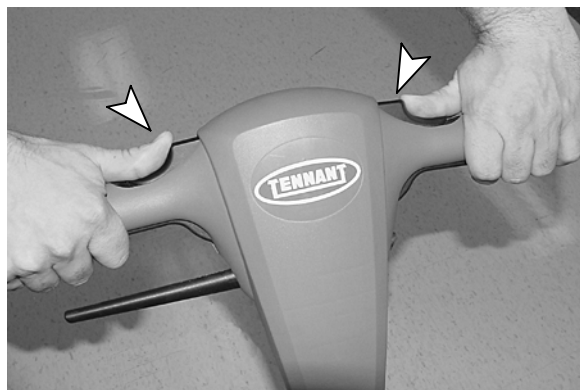


FIG. 7

NOTA: Como una característica de seguridad, el mango debe bajarse de la posición vertical para activar las palancas ON/OFF.

5. Para ajustar la presión de la almohadilla, girar la perilla de ajuste en sentido contrario a las agujas del reloj para incrementar la presión sobre la almohadilla y en el sentido de las agujas del reloj para disminuir (Figura 8). No ajustar el medidor de presión de la almohadilla en la zona roja, ya que puede resultar en daños al motor y al piso.

PARA SEGURIDAD: Al usar la máquina, permanezca alejado de las almohadillas giratorias.



FIG. 8

6. Comenzar a pulir alejándose del cordón y del tomacorrientes de pared. Usar un movimiento de patrón de avance y retroceso en forma "W" o un movimiento de recorrido directo y retroceso.

PARA SEGURIDAD: Al usar la máquina, no soltar las empuñaduras del mango hasta que la almohadilla se detenga completamente.

NOTA: El interruptor de circuitos de la máquina se activa bajo condiciones de sobrecarga excesiva del motor. Si se activa el interruptor de circuitos, reajustar la presión de la almohadilla, cambiar a una almohadilla menos agresiva e inspeccionar periódicamente la almohadilla por acumulación de suciedad. Para regaduar el interruptor de circuitos, desenchufar el cordón eléctrico, esperar 15 minutos por lo menos y oprimir el botón para regaduar ubicado en el mango.

7. No operar la máquina en el mismo lugar por un período prolongado ya que puede resultar en daños al piso.
8. Para maniobrar sobre umbrales y rejillas de piso, detener la máquina e inclinar hacia atrás sobre las ruedas posteriores.

PARA SEGURIDAD: Al transportar máquina, obtenga asistencia al levantar la máquina.

9. Para parar la máquina, soltar las palancas On/Off. El botón de traba de seguridad se engancha automáticamente.
10. Al completar el pulido efectuar los siguientes procedimientos de mantenimiento de la máquina.

OPERACIÓN

MANTENIMIENTO DE LA MÁQUINA

PARA SU SEGURIDAD: Antes de dejar o reparar la máquina, desconecte el cable del enchufe de la pared.

1. Compruebe el desgaste de la almohadilla de pulido después de cada uso. Si estuviera gastada, extraiga la almohadilla y dele la vuelta o sustitúyala (Figura 9).

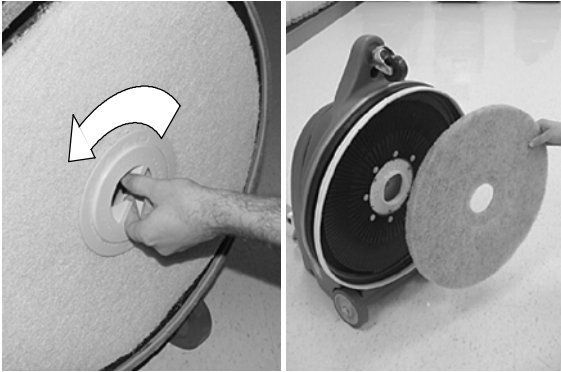


FIG. 9

2. Extraer y vaciar la bolsa de polvo después de cada uso (Figura 10).



FIG. 10

3. Limpiar la máquina con un limpiador universal después de cada uso.
4. Inspeccione la condición del faldón para polvo, reemplace si está gastado.
5. Inspeccionar el cordón eléctrico después de cada uso. Si está gastado o dañado, reemplazar inmediatamente el cordón.

6. Frotar el cordón eléctrico con un trapo húmedo y enrollar prolijamente alrededor del gancho para el cordón y la manija después de cada uso.
7. Inspeccionar periódicamente que todos los pernos y tuercas estén firmes.
8. Cada 250 horas de operación, inspeccionar el motor por desgaste de las escobillas de carbón. Reemplazar las escobillas cuando se hayan gastado a un largo de 1 cm (3/8 pulg.) o menos.

⚠ ADVERTENCIA: No opere con un cordón eléctrico dañado. No modifique el enchufe. Desenchufe el cordón eléctrico antes de reparar la máquina.

ALMACENAMIENTO DE LA MÁQUINA

1. Desenchufe el cordón eléctrico y extraiga la almohadilla de la máquina. Enrolle prolijamente el cordón alrededor del gancho del cordón y el mango (Figura 11).
2. Almacenar la máquina en un área seca en posición vertical con el mango vertical o plegado hacia abajo.
3. Para áreas restringidas de almacenamiento, pliegue el mango y almacene la máquina según se muestra (Figura 11).

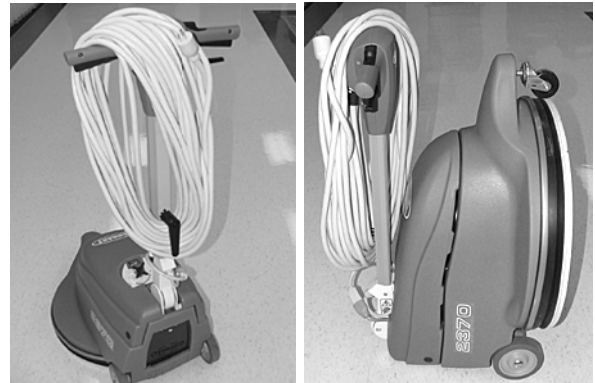


FIG. 11

⚠ ADVERTENCIA: No use al aire libre. No exponga a la lluvia. Almacene bajo techo.

TRANSPORTE DE LA MÁQUINA

1. Desenchufe el cordón eléctrico y extraiga la almohadilla de la máquina. Enrolle prolijamente el cordón alrededor del gancho del cordón y el mango.
2. Cargue la máquina usando una rampa recomendada de carga o levántela cuidadosamente con asistencia adecuada.

PARA SEGURIDAD: Al transportar máquina, obtenga asistencia al levantar la máquina.

3. Asegure la máquina con las bandas de amarre cuando sea transportada por camión.

⚠ ADVERTENCIA: No use al aire libre. No exponga a la lluvia. Almacene bajo techo.

ARTICULOS RECOMENDADOS A MANTENER EN STOCK

Referirse a la sección de Lista de Piezas para los artículos recomendados a mantener en stock. Los artículos para stock están claramente identificados con una bala precediendo a la descripción de piezas según indicado (Figura 12).

Ref.	Part No.	Description	Qty.
1	701103	ASM., STANDPIPE	1
2	180613	●FLOAT, SHUTOFF	1
3	230187	NIPPLE	1
4	101714	◆GASKET	1
5	210240	NUT, FLANGED	1

FIG. 12

LOCALIZACIÓN DE AVERÍAS

PROBLEMA	CAUSA	SOLUCIÓN
La máquina no funciona.	La máquina está desenchufada.	Enchufar la máquina.
	La conexión del cordón entre el mango y la base no está bien firme.	Asegurar una conexión apropiada del cordón.
	Está activado el interruptor de circuitos.	Regraduar el interruptor de circuitos en la máquina.
	Está activado en interruptor de circuitos del edificio.	Regraduar el interruptor de circuitos del edificio.
	Cordón eléctrico defectuoso.	Consultar con el Centro de Servicio.
	Cableado defectuoso.	Consultar con el Centro de Servicio.
	Conmutador de la palanca On/Off defectuoso.	Consultar con el Centro de Servicio.
El interruptor de circuitos de la máquina se activa continuamente.	Rectificador defectuoso.	Consultar con el Centro de Servicio.
	Presión excesiva sobre la almohadilla.	Ajustar la perilla de presión de la almohadilla.
	Almohadilla muy sucia.	Reemplazar la almohadilla.
	Almohadilla incorrecta para la aplicación	Cambiar a la almohadilla correcta.
	Interruptor de circuitos defectuoso.	Consultar con el Centro de Servicio.
Escobillas de carbón gastadas en el motor.	Consultar con el Centro de Servicio.	

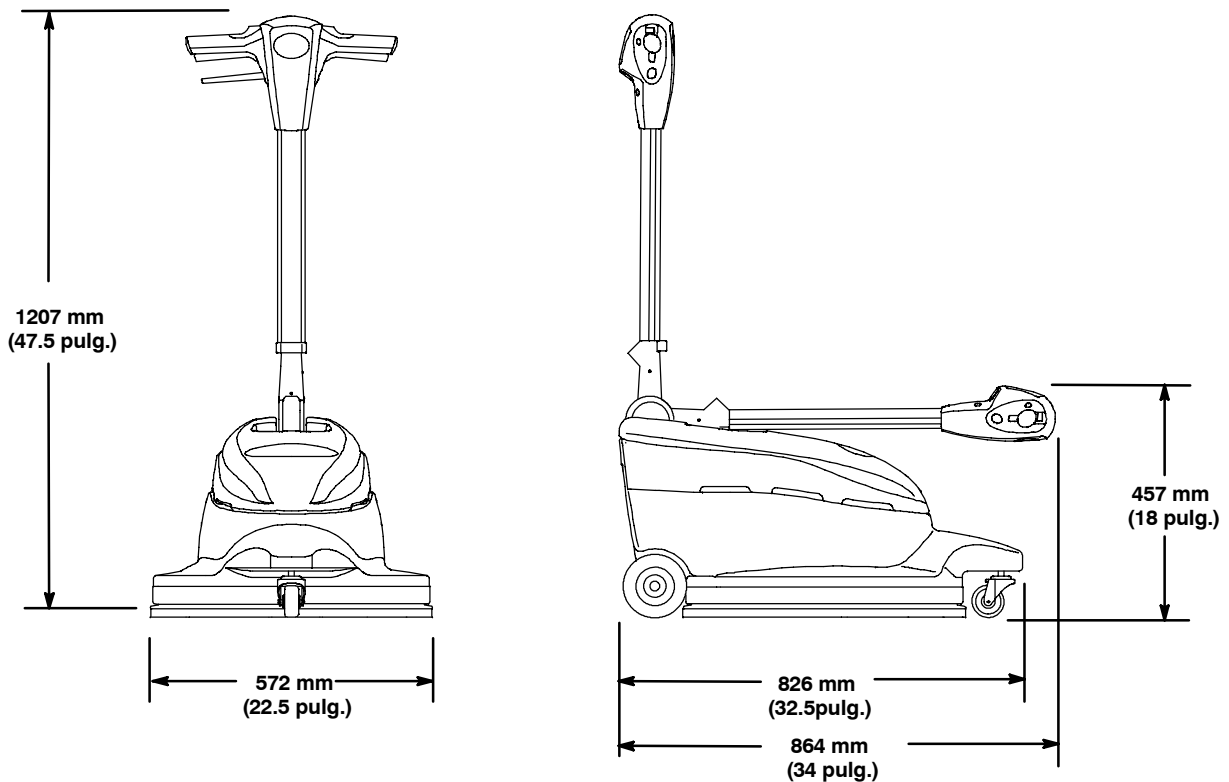
OPERACIÓN

ESPECIFICACIONES

MODELO	2370
LONGITUD	826mm (32.5 pulg.)
ANCHO	572mm (22.5 pulg.)
ALTURA	1207mm (47.5 pulg.)
ALTURA - MANGO PLEGADO	457mm (18 pulg.)
PESO	42 Kg (92 lbs) / 36 Kg (80 lbs) menos el cordón eléctrico
MOTOR IMPULSOR	120V - 1.5 hp 15AMP 60Hz
VELOCIDAD DE LA ALMOHADILLA/CEPILLO	2000 RPM @ 15 AMPS
DIAMETRO DE LA ALMOHADILLA CEPILLO	508mm (20 pulg.)
CLASIFICACION NOMINAL DE DECIBELES EN LOS OIDOS DEL OPERADOR, BAJO TECHO SOBRE PISO DE BALDOSAS	66dB(A)
LARGO DEL CORDON ELECTRICO	23m (75 pies)
VOLTAJE DE OPERACION	120V / 60 Hz

Las especificaciones pueden cambiar sin aviso previo.

DIMENSIONES DE LA MÁQUINA



Ce manuel est fourni avec chaque nouveau modèle. Il fournit les instructions nécessaires au fonctionnement et à l'entretien.

Lisez complètement ce manuel et familiarisez--vous avec la machine avant de l'utiliser ou de l'entretenir.

Une liste complète de pièces détachées avec illustrations accompagne également chaque nouveau modèle. Utilisez la liste de pièces détachées pour commander des pièces de rechange. Avant de commander des pièces ou des fournitures, soyez sûr d'avoir avec vous le numéro de modèle de la machine et le numéro de série. Les pièces et les fournitures se commandent par téléphone ou par courrier auprès de tout centre de dépannage agréé, de tout distributeur ou de l'une des filiales du fabricant.

Cette machine vous fournira d'excellents services. Toutefois, vous obtiendrez les meilleurs résultats pour un prix de revient minimum si:

- La machine est manipulée avec un certain soin.
- La machine fait l'objet d'un entretien régulier conformément aux instructions d'entretien de ce manuel.
- L'entretien de la machine est effectué avec des pièces fournies par le fabricant ou des pièces équivalentes.



PROTECTION DE L'ENVIRONNEMENT

Veuillez éliminer les matériaux d'emballage et les composants usagés de l'appareil de manière à protéger l'environnement, conformément aux règlements locaux concernant l'élimination des déchets.

N'oubliez pas de toujours recycler.

DONNÉES DE LA MACHINE

A remplir au moment de l'installation à titre de référence.

N° du modèle - _____

N° de série - _____

Options de la machine - _____

Agent commercial - _____

N° de tél. de l'agent commercial - _____

Numéro de client - _____

Date d'installation - _____

Tennant Company

PO Box 1452

Minneapolis, MN 55440 USA

Phone: (800) 553-8033 or (763) 513-2850

www.tennant.com

Les spécifications et pièces sont susceptibles de modification sans préavis.

Copyright © 2002, 2003, 2006, 2008 TENNANT Company.

Tous droits réservés. Imprimé en USA

TABLE DES MATIÈRES

MESURES DE SÉCURITÉ	8	TRANSPORT DE LA MACHINE	13
INSTRUCTIONS DE MISE A LA TERRE ...	9	ARTICLES DE STOCK RECOMMANDES ..	13
ÉTIQUETTES DE MISE EN GARDE	9	DEPISTAGE DES PANNES	13
COMPOSANTS DE LA MACHINE	10	DONNEES TECHNIQUES	14
MISE EN SERVICE DE LA MACHINE	10	DIMENSIONS DE LA MACHINE	14
MISE EN PLACE DU PATIN	10	SYSTÈM ÉLECTRIQUE	25
INSTALLATION DU SAC A POUSSIERE ...	11	LISTE DES PIÈCES	26
FONCTIONNEMENT DE LA MACHINE	11	GROUPE POIGNÉE (10414677-)	26
ENTRETIEN DE LA MACHINE	12	GROUPE POIGNÉE (00000000-10414676) .	26
ENTREPOSAGE DE LA MACHINE	12	GROUPE BASE	28
		GROUPE ENTRAINEMENT DU PATIN	28

MESURES DE SÉCURITÉ

Cette machine est conçue pour un usage commercial. Elle est destinée exclusivement au polissage des sols intérieurs à surface secs dure et ne convient pas à un quelconque autre usage. Utilisez uniquement des patins de polissage et des produits nettoyants et cires pour sols disponibles dans le commerce, prévus pour l'application de la machine.


Tous les opérateurs sont tenus de lire et comprendre les consignes de sécurité suivantes et de se familiariser avec celles--ci.

Le symbole de mise en garde suivant et l'en--tête « POUR VOTRE SECURITE » sont utilisés tout au long de ce manuel comme indiqué dans leur description:


 **MISE EN GARDE:** identifie la présence de dangers ou les opérations dangereuses susceptibles de blesser grièvement ou de provoquer la mort.

POUR VOTRE SECURITÉ: identifie les instructions qui doivent être suivies afin de garantir la sécurité lors de l'utilisation de l'équipement.


Le fait de ne pas respecter ces avertissements peut entraîner des blessures, un choc électrique, un incendie ou une explosion.

 **MISE EN GARDE :** N'utilisez pas de liquides inflammables ou n'utilisez pas la machine dans ou près de liquides ou vapeurs inflammables ou poussières combustibles.

Cette machine n'est pas équipée d'un moteur protégé contre les explosions. Le moteur électrique émet des étincelles au moment du démarrage et pendant son fonctionnement, ce qui peut entraîner un incendie instantané ou une explosion si la machine est utilisée dans une zone où des vapeurs/liquides inflammables ou des poussières combustibles, sont présents.

 **MISE EN GARDE :** N'utilisez pas la machine avec un cordon d'alimentation endommagé. Ne modifiez pas la prise. Débranchez le cordon d'alimentation avant d'entretenir la machine

Si le cordon d'alimentation est endommagé ou rompu, il doit être remplacé par le fabricant ou son agent de maintenance ou toute autre personne qualifiée, afin d'éviter tout danger.

 **MISE EN GARDE:** N'utilisez pas la machine en extérieur. N'exposez pas la machine à la pluie. Entreposez la machine à l'intérieur.

Les signaux d'information ci--après indiquent les situations potentiellement dangereuses pour l'opérateur ou l'équipement:

POUR VOTRE SECURITE:

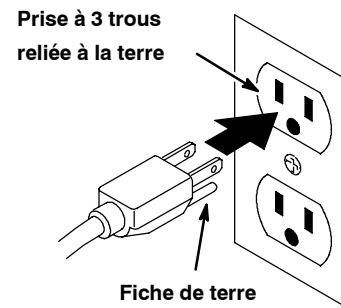
1. N'utilisez pas la machine:
 - Avec des liquides inflammables ou près de vapeurs inflammables, afin d'éviter le risque d'explosion ou d'incendie instantané.
 - Si vous n'y êtes pas formé et autorisé.
 - Avant d'avoir lu et compris le manuel opérateur.
 - Si le cordon n'est pas correctement relié à la terre.
 - Avec un cordon ou une prise endommagés.
 - Si elle n'est pas en bon état de marche.
 - A l'extérieur.
 - Dans l'eau stagnante.
 - Sans sac à poussière dans la machine.
 - Avec une rallonge.
2. Avant d'utiliser la machine:
 - Assurez--vous que tous les dispositifs de sécurité se trouvent à leur place et fonctionnent correctement.
 - Retirez les objets encombrant le sol afin d'éviter des projectiles dangereux au cas où les objets seraient heurtés par un patin en cours de rotation.
3. Lors de l'utilisation de la machine:
 - Eloignez--vous d'un patin en cours de rotation.
 - Ne roulez pas sur le cordon avec la machine.
 - Ne tirez pas la machine par la prise ou le cordon.
 - Ne tirez pas le cordon près des bords ou des coins vifs.
 - Portez des chaussures antidérapantes.
 - Ne fermez pas de portes sur le cordon.
 - Ne débranchez pas la machine en tirant sur le cordon.
 - N'étirez pas le cordon.
 - Ne manipulez pas la prise avec des mains mouillées.
 - Eloignez le cordon des surfaces chaudes.

- Ne mettez jamais la machine sous tension lorsque la poignée est en position verticale.
 - Ne relâchez la poignée qu'après l'arrêt complet du patin.
 - Roulez lentement sur les pentes et sur les surfaces glissantes.
 - Empêchez les enfants de jouer à proximité de la machine.
 - Signalez immédiatement tout dommage occasionné à la machine ou tout mauvais fonctionnement.
4. Avant de quitter ou d'entretenir la machine:
- Coupez le contact de la machine.
 - Débranchez le cordon de la prise murale.
5. Lors de l'entretien de la machine:
- Débranchez le cordon de la prise murale.
 - Evitez les pièces mobiles. Ne portez pas de veste ou de chemise large ou de manches amples.
 - Utilisez des pièces de rechanges fournies ou agréées par le fabricant.
 - Toutes les réparations doivent être effectuées uniquement par un technicien qualifié.
 - Ne modifiez pas le design d'origine de la machine.
6. Lors du transport de la machine:
- Demandez de l'aide pour soulever la machine.
 - Débranchez le cordon de la prise murale.
 - Utilisez des sangles pour arrimer la machine sur le camion ou la remorque.

INSTRUCTIONS DE MISE A LA TERRE

dysfonctionnement ou de panne, la mise à la terre offre une voie de moindre résistance au courant électrique, afin de réduire le risque de décharge électrique. Cette machine est équipée d'un cordon muni d'un conducteur de terre principale et d'une fiche avec mise à la terre.

La fiche doit être branchée sur une prise appropriée montée correctement, conformément aux réglementations et codes en vigueur au niveau local.







ÉTIQUETTES DE MISE EN GARDE

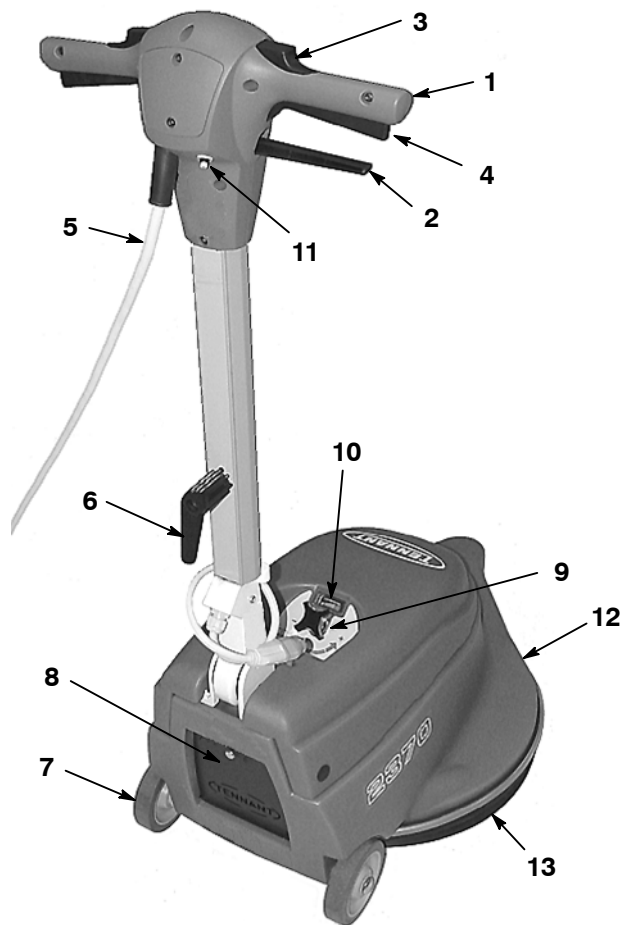
L'étiquette de mise en garde apparaît sur la machine à l'emplacement indiqué. Remplacez l'étiquette lorsqu'elle est endommagée ou qu'elle devient illisible.

ÉTIQUETTE MISE EN GARDE - SITUÉE AU-DESSUS DE LA MACHINE.



	⚠ WARNING	⚠ AVERTISSEMENT	⚠ ADVERTENCIA
	EXPLOSION, FIRE AND SHOCK HAZARD. AVOID INJURY.	RISQUE D'EXPLOSION, D'INCENDIE ET DE DÉCHARGE. ÉVITEZ LES BLESSURES.	PELIGRO DE EXPLOSIÓN, FUEGO, DESCARGA EVITE LESIONES.
	<ul style="list-style-type: none">• Do Not Use Flammable Liquids or Operate Near Flammable Liquids, Vapors or Combustible Dusts.	<ul style="list-style-type: none">• N'utilisez Pas de Liquides Inflammables ou Prés de Liquides ou Vapeurs Inflammables ou Poussières Combustibles.	<ul style="list-style-type: none">• No Use Líquidos Flamables Y No Use Cerca De Líquidos Flamables, Vapores Ó Materiales Combustibles.
	<ul style="list-style-type: none">• Do Not Operate with Damaged Power Cord. Do Not Modify Plug. Unplug Power Cord Before Servicing Machine.	<ul style="list-style-type: none">• N'utilisez Pas la Machine Avec un Cordon d'Alimentation Endommagé. Ne Modifiez Pas la Prise. Débranchez le Cordon d'Alimentation Avant d'Entretien la Machine.	<ul style="list-style-type: none">• No Use Con Cable de Corriente Dañado. No Altere El Enchufe. Desconecte Cable De Corriente Antes Del Mantenimiento.
	<ul style="list-style-type: none">• Do Not Use Outdoors. Do Not Expose to Rain. Store Indoors.	<ul style="list-style-type: none">• N'utilisez Pas en Extérieur. N'Exposez Pas à la Pluie. Entrez à l'Intérieur.	<ul style="list-style-type: none">• No Use Al Aire Libre. No Exponga A La Lluvia. Guarde Bajo Techo.
			1026786

COMPOSANTS DE LA MACHINE



1. Poignée de commande réglable
2. Levier d'ajustement de hauteur de la poignée
3. Boutons du verrouillage de sécurité
4. Leviers Marche/Arrêt
5. Cordon d'alimentation de 20 m (75')
6. Crochet d'entreposage du cordon d'alimentation à attache rapide
7. Roulettes de transport
8. Compartiment du sac à poussière
9. Bouton de réglage de la pression du patin
10. Indicateur de pression du patin
11. Bouton de réenclenchement du coupe--circuit
12. Base
13. Jupe antipoussière

MISE EN SERVICE DE LA MACHINE

Vérifiez soigneusement si le carton ne présente pas de dommages. Signalez immédiatement tout dommage au transporteur.

MISE EN PLACE DU PATIN

1. Débranchez le cordon de la prise murale.

POUR VOTRE SECURITE: Avant de quitter ou d'entretenir la machine, débranchez le cordon de la prise murale.

2. Sélectionnez et installez un patin de polissage.

REMARQUE: Consultez votre distributeur agréé pour toute recommandation en matière de patin. Utilisez uniquement des patins fournis ou approuvés par le fabricant.

REMARQUE: La machine n'est pas conçue pour le polissage de jet.

3. Tirez le levier d'ajustement de hauteur de la poignée et soulevez la poignée en position verticale. Basculez délicatement la machine vers l'arrière et posez la poignée sur le sol (Figure 1).

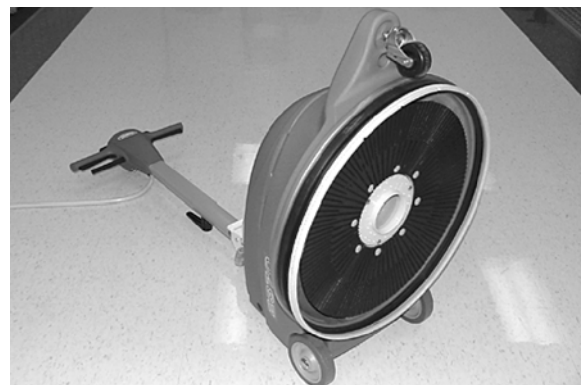


FIG. 1

FONCTIONNEMENT

4. Enlevez la bague de blocage centrale en plastique du système d'entraînement du patin. Positionnez le patin sur son système d'entraînement et reinsérez fermement la bague en la faisant pivoter dans le sens des aiguilles d'une montre (Figure 2).

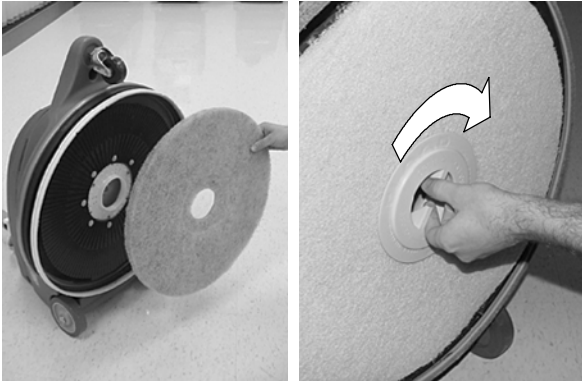


FIG. 2

5. Après avoir installé le patin, remettez la machine en position verticale.

INSTALLATION DU SAC A POUSSIERE

1. Ouvrez le compartiment du sac à poussière situé à l'arrière de la machine, en tournant le bouton dans le sens contraire des aiguilles d'une montre (Figure 3).
2. Faites coulisser le collier du sac à poussière au-dessus du tuyau d'aspiration, comme illustré. Avant d'utiliser la machine, assurez-vous toujours qu'un sac à poussière vide est installé (Figure 3).



FIG. 3

FONCTIONNEMENT DE LA MACHINE

POUR VOTRE SECURITE: N'utilisez pas la machine avant d'avoir lu et compris le manuel opérateur.

⚠ MISE EN GARDE: N'utilisez pas de liquides inflammables ou n'utilisez pas la machine dans ou près de liquides ou vapeurs inflammables ou poussières combustibles.

Cette machine n'est pas équipée d'un moteur protégé contre les explosions. Le moteur électrique émet des étincelles au moment du démarrage et pendant son fonctionnement, ce qui peut entraîner un incendie instantané ou une explosion si la machine est utilisée dans une zone où des vapeurs/liquides inflammables ou des poussières combustibles, sont présents.

REMARQUE: Assurez-vous que le plancher est complètement sec

1. Tirez le crochet d'entreposage du cordon à attache rapide et tournez-le vers le haut, puis retirez le cordon d'alimentation de la machine (Figure 4).

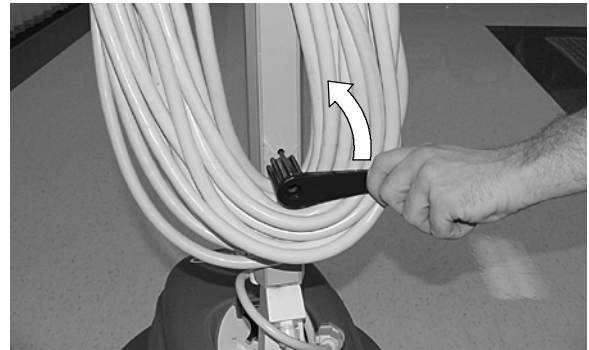


FIG. 4

2. Branchez le cordon d'alimentation sur une prise murale mise à la terre (Figure 5).

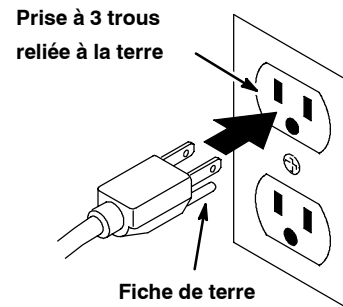


FIG. 5

POUR VOTRE SECURITE: N'utilisez la machine que si le cordon est correctement relié à la terre. N'utilisez pas la machine avec un cordon ou une prise endommagés. N'utilisez pas la machine avec une rallonge.

3. Abaissez la poignée à une hauteur de manipulation souhaitée en tirant sur le levier d'ajustement de hauteur de la poignée. Relâchez le levier pour engager la poignée (Figure 6).



FIG. 6

4. Pour démarrer la machine, appuyez sur les boutons du verrouillage de sécurité, situés au sommet de la poignée, puis tirez sur les leviers Marche/Arrêt. Une fois que la machine démarre, relâchez les boutons du verrouillage de sécurité (Figure 7).

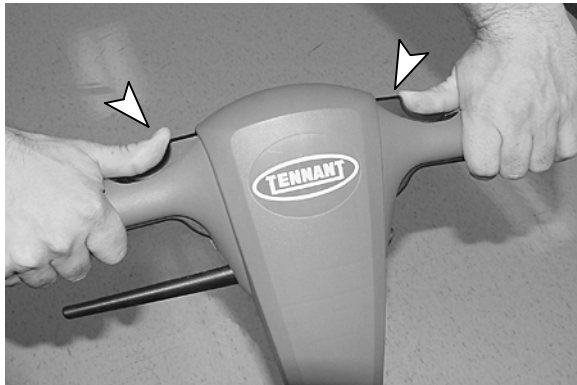


FIG. 7

REMARQUE : Pour votre sécurité, la poignée doit être abaissée à partir de la position verticale avant de pouvoir activer les leviers Marche/Arrêt.

5. Pour régler la pression du patin, tournez le bouton de réglage dans le sens contraire des aiguilles d'une montre pour augmenter la pression ou dans le sens des aiguilles d'une montre pour la diminuer (Figure 8). Ne réglez pas l'indicateur de pression du patin dans la zone rouge; ceci risque d'entraîner l'endommagement du moteur et du sol.

POUR VOTRE SECURITÉ : Quand vous utilisez la machine, éloignez--vous du patin en cours de rotation.



FIG. 8

6. Commencez le polissage en vous éloignant du cordon et de la prise murale. Utilisez un mouvement avant et arrière en 'W' ou une trace droite aller et retour.

POUR VOTRE SECURITE: Quand vous utilisez la machine, pas les poignées de dégagement jusqu'à ce que la garniture vienne à un arrêt complet.

REMARQUE: Le coupe--circuit de la machine se déclenche dans des conditions de surcharge du moteur. Si le coupe--circuit se déclenche, réglez la pression du patin, passez à un patin moins agressif et contrôlez périodiquement l'accumulation de saleté sur le patin. Pour réenclencher le coupe--circuit, débranchez le cordon d'alimentation, attendez au moins 15 secondes, puis appuyez sur le bouton de réenclenchement situé sur la poignée.

7. N'utilisez pas la machine sur le même emplacement pendant une longue période de temps. Ceci risque d'endommager le sol.
8. To maneuver over thresholds and floor grates, stop the machine and tilt it back on the rear wheels.

POUR VOTRE SECURITE: Lors du transport la machine, demandez de l'aide pour soulever la machine.

9. Pour arrêter le polissage, relâchez les leviers Marche/Arrêt. Les boutons du verrouillage de sécurité s'engagent automatiquement.
10. Lorsque le polissage est terminé, exécutez les procédures de nettoyage suivantes.

ENTRETIEN DE LA MACHINE

POUR VOTRE SECURITE: Avant d'entretenir ou de réparer la machine, débranchez le cordon de la prise murale.

1. Après chaque utilisation, vérifiez l'usure du patin de polissage. Si le patin est usé, retirez-le et retournez-le ou remplacez-le (Figure 9).

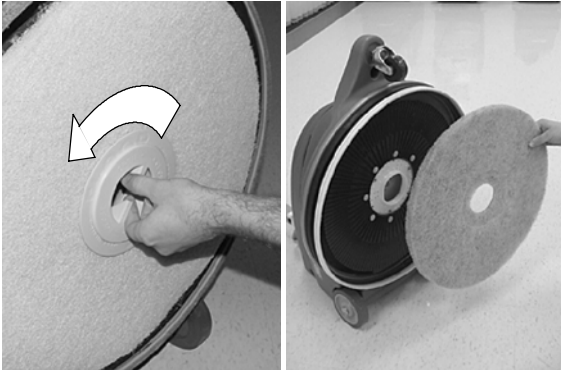


FIG. 9

2. Retirez et videz le sac à poussière après chaque utilisation (Figure 10).



FIG. 10

3. Après chaque utilisation, nettoyez la machine avec un nettoyant tous usages et un chiffon humidifié.
4. Vérifiez l'état de la jupe antipoussière. Remplacez la jupe si elle est usée ou endommagée.
5. Vérifiez l'endommagement du cordon d'alimentation après chaque utilisation. Remplacez le cordon immédiatement s'il est endommagé.
6. Après chaque utilisation, essuyez le cordon d'alimentation avec un chiffon humidifié et enroulez-le avec soin autour du crochet d'entreposage et de la poignée.
7. Vérifiez périodiquement le serrage de tous les boulons et écrous.

8. Toutes les 250 heures de service, vérifiez le degré d'usure des balais au charbon du moteur. Remplacez les balais s'ils mesurent 1 cm (3/8 in) ou moins. Contactez un centre d'entretien agréé pour un contrôle des balais de charbon.

⚠ MISE EN GARDE: N'utilisez pas la machine avec un cordon d'alimentation endommagé. Ne modifiez pas la prise. Débranchez le cordon d'alimentation avant d'entretenir la machine

ENTREPOSAGE DE LA MACHINE

1. Débranchez le cordon d'alimentation et retirez le patin de la machine. Enroulez soigneusement le cordon autour du crochet d'entreposage et de la poignée, afin d'éviter l'endommagement du cordon (Figure 11).
2. Entrez la machine à l'abri de l'humidité avec la poignée en position haute ou repliée sur le sol.
3. Afin de minimiser l'espace d'entreposage, repliez la poignée vers le bas et entreposez la machine comme illustré (Figure 11).

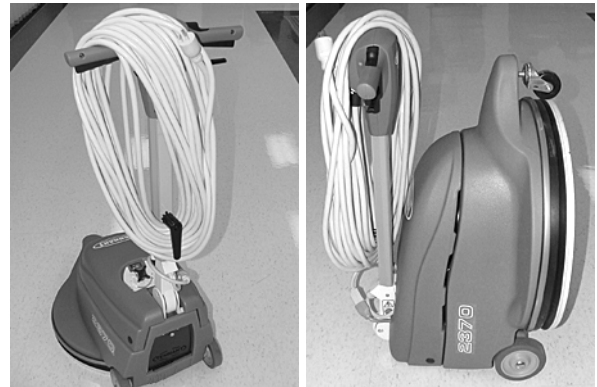


FIG. 11

⚠ MISE EN GARDE: N'utilisez pas la machine en extérieur. N'exposez pas la machine à la pluie. Entrez la machine à l'intérieur.

TRANSPORT DE LA MACHINE

1. Débranchez le cordon d'alimentation et retirez le patin de la machine. Enroulez soigneusement le cordon autour du crochet d'entreposage et de la poignée.
2. Chargez la machine à l'aide d'une rampe de chargement appropriée ou soulevez délicatement la machine, avec une aide adéquate.

POUR VOTRE SECURITE: En transportant la machine, obtenez l'aide en soulevant la machine.

3. En cas de transport par véhicule, arrimez la machine avec des sangles.

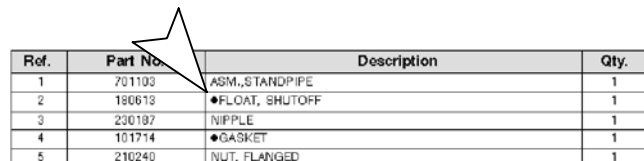
⚠ MISE EN GARDE: N'utilisez pas la machine en extérieur. N'exposez pas la machine à la pluie. Entreposez la machine à l'intérieur.

DEPISTAGE DES PANNES

PROBLEME	CAUSE	REMEDE
La machine ne fonctionne pas.	La machine est débranchée.	Branchez la machine.
	Le connecteur du cordon entre la poignée et la base n'est pas correctement branché.	Branchez correctement le connecteur.
	Coupe-circuit de la machine déclenché.	Réenclenchez le coupe--circuit de la machine.
	Coupe-circuit du bâtiment déclenché.	Réenclenchez le coupe--circuit dans le bâtiment.
	Cordon d'alimentation défectueux.	Contactez le service de dépannage.
	Câblage défectueux.	Contactez le service de dépannage.
	Interrupteur à levier Marche/Arrêt défectueux.	Contactez le service de dépannage.
Le coupe-circuit de la machine se déclenche continuellement.	Redresseur défectueux.	Contactez le service de dépannage.
	Pression de patin excessive.	Réglez le bouton de pression du patin.
	Patin fortement souillé.	Remplacez le patin.
	Patin impropre pour l'application.	Placez le patin adéquat.
	Coupe-circuit défectueux.	Contactez le service de dépannage.
	Balais au charbon du moteur usé.	Contactez le service de dépannage.

ARTICLES DE STOCK RECOMMANDES

Reportez--vous à la section Liste des pièces du manuel pour les articles de stock recommandés. Les articles de stock sont identifiés clairement à l'aide d'un point précédant la description de la pièce, comme illustré (Figure 12).



Ref.	Part No.	Description	Qty.
1	701100	ASM.,STANDPIPE	1
2	160613	●FLOAT, SHUTOFF	1
3	230197	NIPPLE	1
4	101714	●GASKET	1
5	210240	NUT, FLANGED	1

FIG. 12

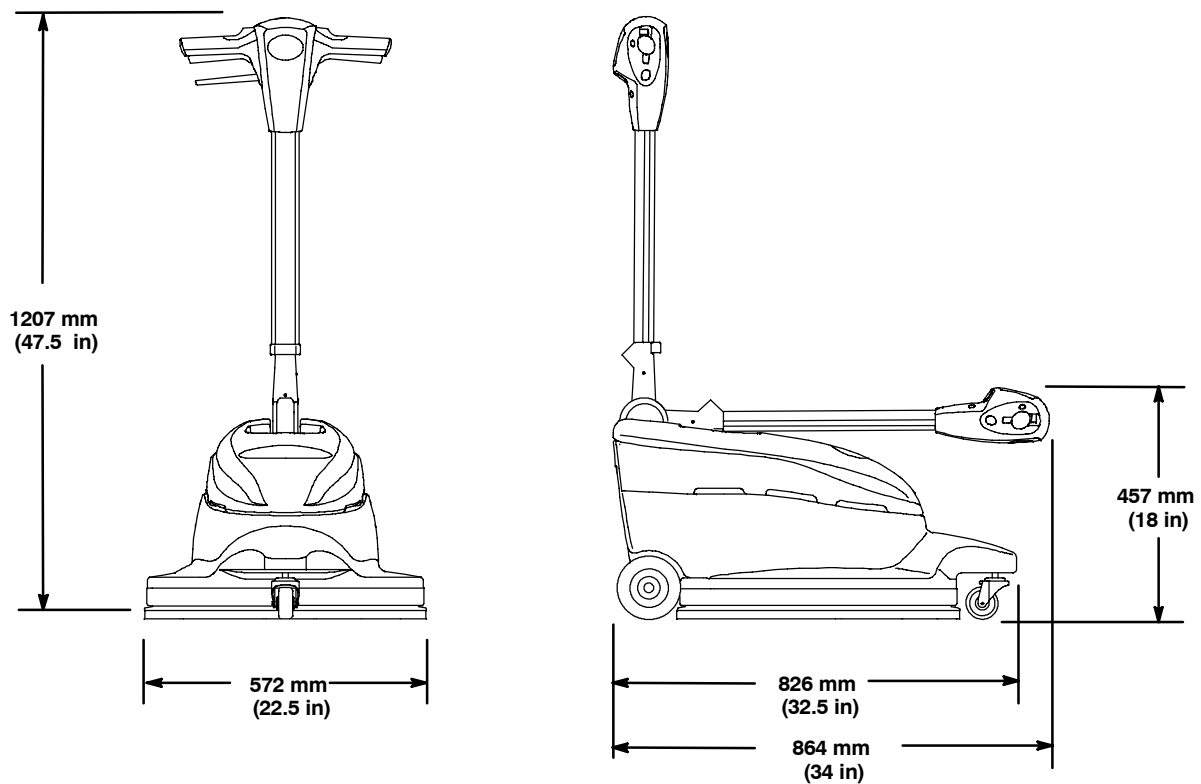
FONCTIONNEMENT

DONNEES TECHNIQUES

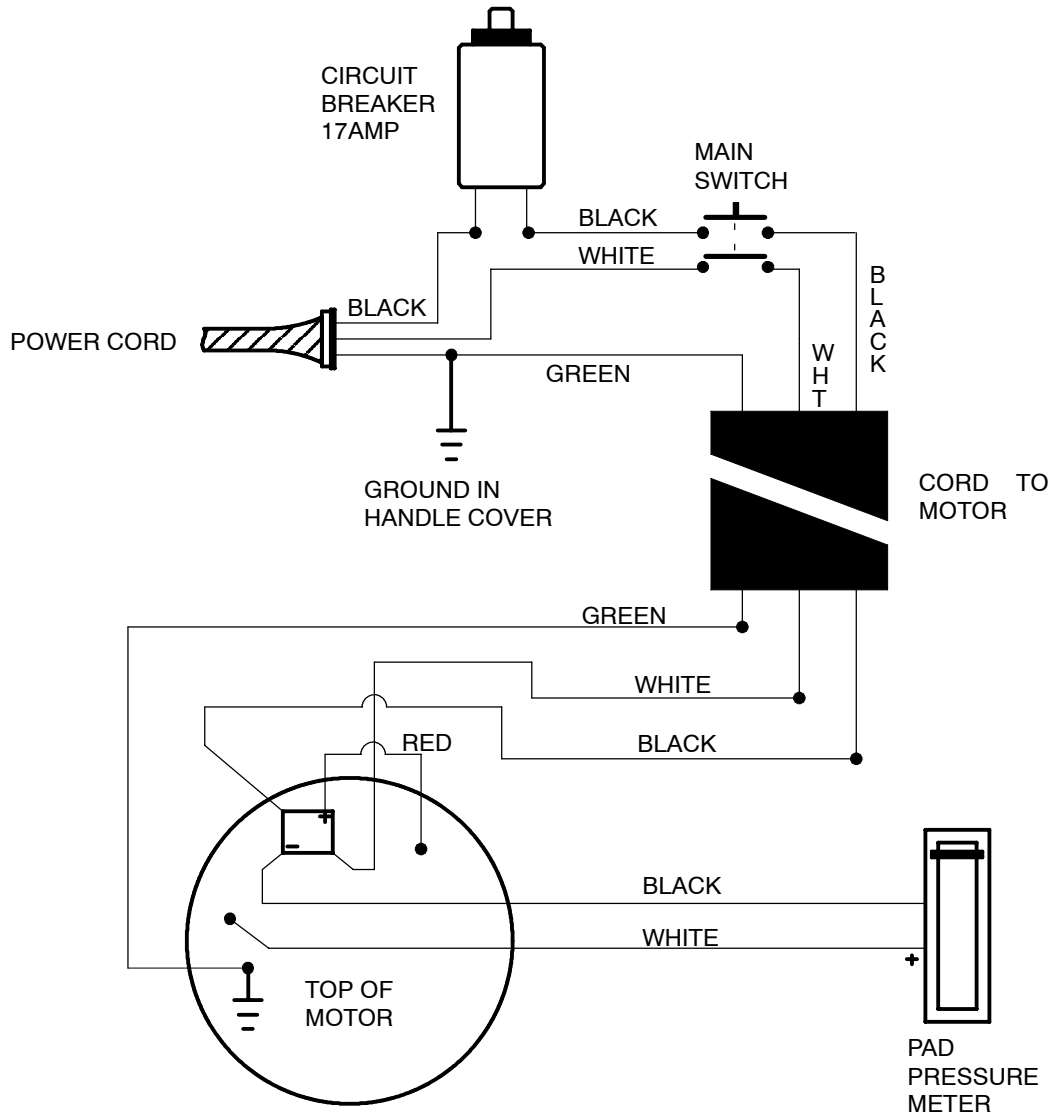
MODELE	2370
LONGUEUR	826mm (32.5 in)
LARGEUR	572mm (22.5 in)
HAUTEUR	1207mm (47.5 in)
HAUTEUR - POIGNEE REPLIEE	457mm (18 in)
POIDS	42 Kg (92 lbs) / 36 Kg (80 lbs) moins de cordon de secteur
MOTEUR D'ENTRAINEMENT	120V - 1.5 hp 15AMP 60Hz
VITESSE DU PATIN	2000 RPM @ 15 AMPS
DIAMETRE DU PATIN	508mm (20 in)
NIVEAU SONORE AU NIVEAU DE L'OREILLE DE L'OPERATEUR, A L'INTERIEUR SUR DU CARRELAGE	66dB(A)
LONGUEUR DU CABLE D'ALIMENTATION	23m (75 ft)
TENSION DE REGIME	120V / 60 Hz

Les spécifications sont susceptibles d'être modifiées sans préavis.

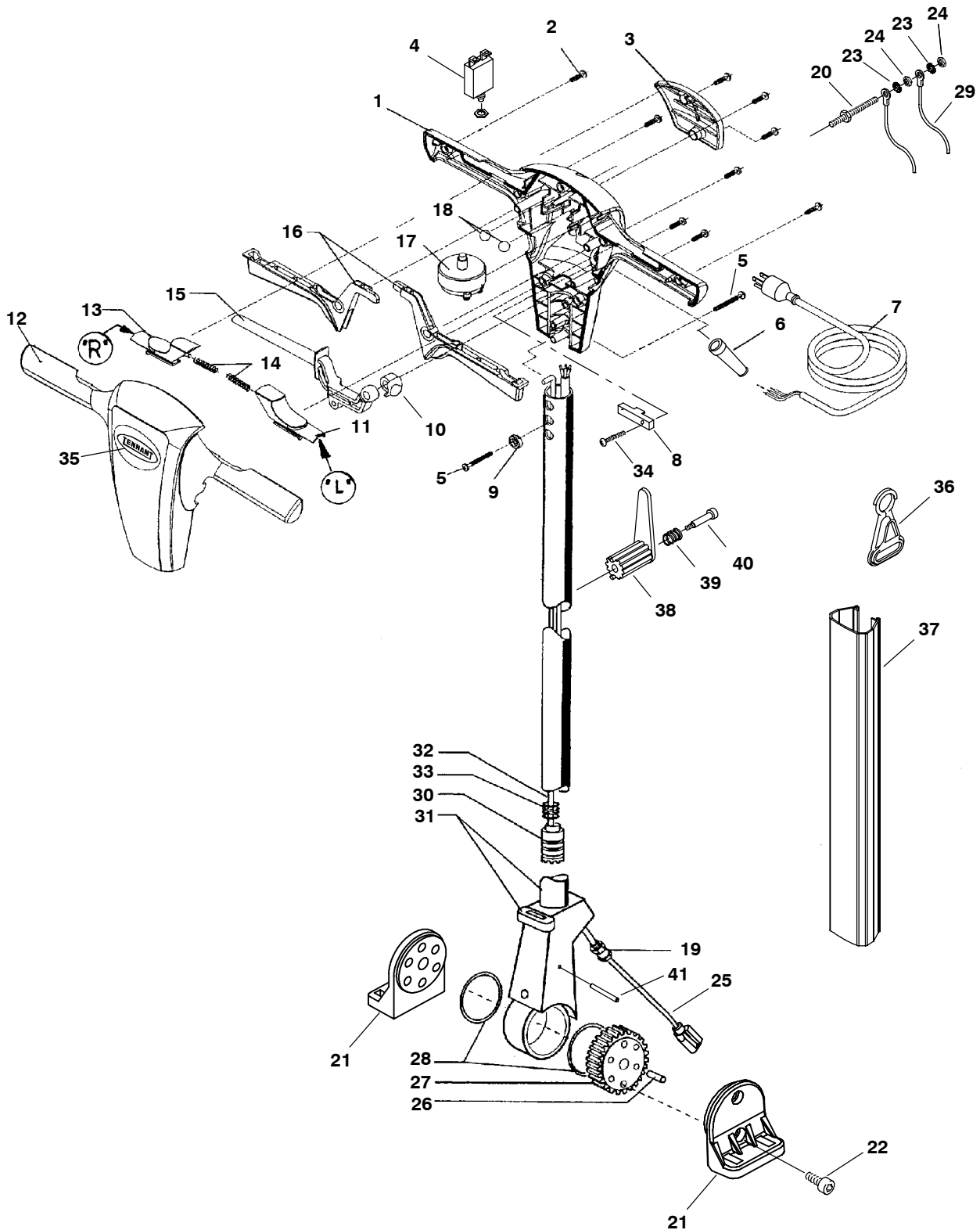
DIMENSIONS DE LA MACHINE



120V WIRING DIAGRAM



HANDLE GROUP / GRUPO DE LE MANIJA / GROUPE POIGNÉE
(10414677-)



PARTS LIST - LISTA DE PIEZAS - LISTE DES PIÈCES

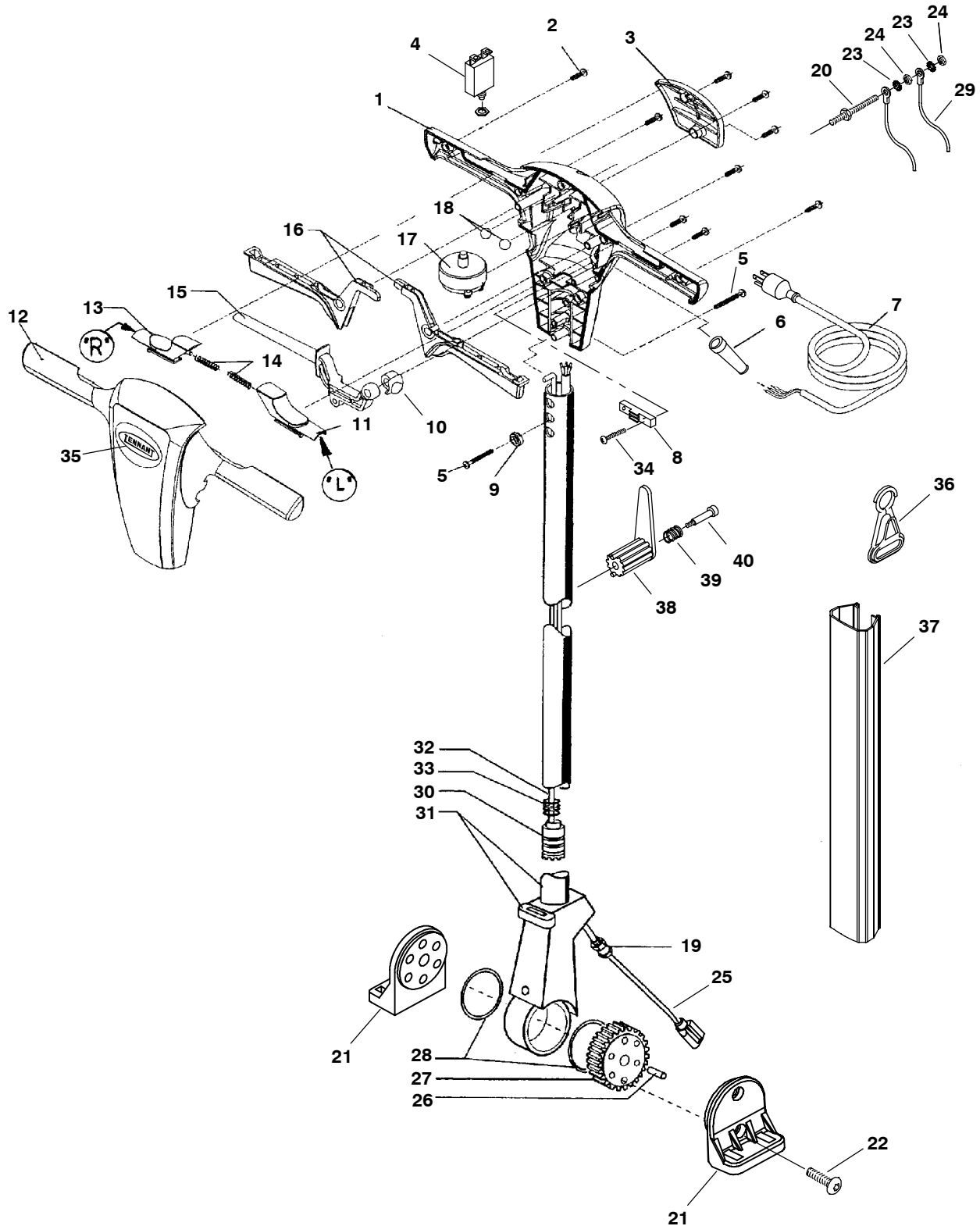
HANDLE GROUP / GRUPO DE LE MANIJA / GROUPE POIGNÉE (10414677-)

REF	PART #	DESCRIPTION	QTY
∇	1038953	HANDLE ASSY [2370]	1
▲ 1	613268	●COVER, HANDLE REAR	1
▲ 2	1043573	●SCREW	9
▲ 3	801003	COVER	1
▲ 4	1000209	●CIRCUIT BREAKER, 17AMP	1
▲ 5	1043572	SCREW	2
▲ 6	801448	●GRIP, CORD	1
▲ 7	1005511	●CORD, POWER 23M	1
▲ 8	1034174	CLAMP	1
▲ 9	1034176	INSERT	1
▲ 10	1034951	●PLUG, LEVER HOLE	1
▲ 11	801005	●SLIDE "L"	1
▲ 12	613264	●COVER, HANDLE FRONT	1
▲ 13	801004	●SLIDE "R"	1
▲ 14	801013	●SPRING	2
▲ 15	1034945	●LEVER	1
▲ 16	801006	●LEVER	2
▲ 17	1035649	●SWITCH	1
▲ 18	801035	●BALL	2
▲ 19	1035729	GRIP, CORD	1
▲ 20	1034952	SCREW, DOUBLE THD SERIES	1
▲ 21	1000307	HANDLE, PIVOT, HALF	2

REF	PART #	DESCRIPTION	QTY.
▲ 22	49609	SCREW, SOC, M8	4
▲ 23	140061	WASHER, LOCK	2
▲ 24	42368	NUT, HEX	2
▲ 25	1000517	●CORD, 14GA/3, 35.0L	1
▲ 26	1034155	PIN	2
▲ 27	1034872	●GEAR, LOCK, HANDLE	1
▲ 28	612422	●SEAL	2
▲ 29	1000512	ASM., WIRE	1
▲ 30	1034873	●PLUNGER	1
▲ 31	1040948	●ASM., TUBE	1
▲ 32	1000476	ROD, RELEASE	1
▲ 33	1013295	●SPRING	1
▲ 34	1043573	SCREW	2
35	99918249	LABEL, "TENNANT"	1
36	130176	●BELT CLIP, STRAIN-RELIEF (OPTIONAL)	
37	1000760	COVER, HANDLE	1
38	603104	HOOK, CORD QUICK-RELEASE	1
39	603108	SPRING	1
40	140239	SCREW, 3/8X1-3/4 SHOULDER	1
41	1034924	PIN, ROLL, 04MMD X 40MML	1

- ∇ ASSEMBLY / CONJUNTO / ENSEMBLE
- ▲ INCLUDED IN ASSEMBLY / INCLUIDO A CONJUNTA / Y COMPRIS EN ENSEMBLE
- RECOMMENDED STOCK ITEM / PIEZAS RECOMENDADAS EN ALMACÉN / ÉLÉMENTS DE STOCK RECOMMANDÉS

HANDLE GROUP / GRUPO DE LE MANIJA / GROUPE POIGNÉE
(0000000-10414676)



PARTS LIST - LISTA DE PIEZAS - LISTE DES PIÈCES

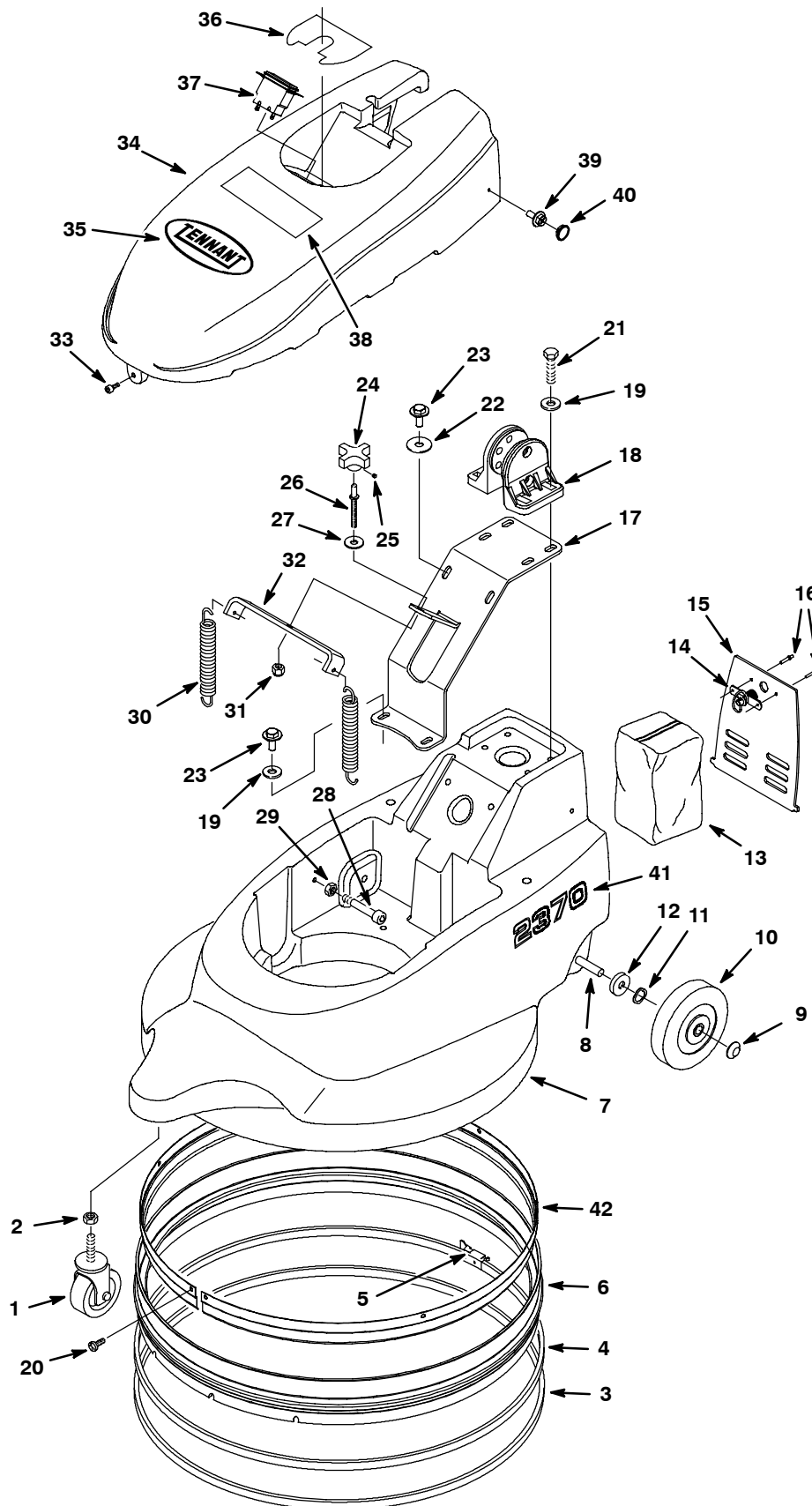
HANDLE GROUP / GRUPO DE LE MANIJA / GROUPE POIGNÉE (0000000-10414676)

REF	PART #	DESCRIPTION	QTY
1	613268	●COVER, HANDLE REAR	1
2	801274	●SCREW	9
3	801003	COVER	1
4	1000209	●CIRCUIT BREAKER, 17AMP	1
5	801247	SCREW	2
6	801448	●GRIP, CORD	1
7	1000480	●CORD, POWER 23M	1
8	99916617	CLAMP	1
9	99916544	INSERT	1
10	1000592	●PLUG, LEVER HOLE	1
11	801005	●SLIDE "L"	1
12	613264	●COVER, HANDLE FRONT	1
13	801004	●SLIDE "R"	1
14	801013	●SPRING	2
15	612521	●LEVER	1
16	801006	●LEVER	2
17	99916592	●SWITCH	1
18	801035	●BALL	2
19	99942168	GRIP, CORD	1
20	99918666	SCREW, DOUBLE THD SERIES	1
21	613336	SUPPORT, HANDLE	2

REF	PART #	DESCRIPTION	QTY.
22	99915121	SCREW	4
23	99916598	WASHER, LOCK	2
24	99915658	NUT, HEX	2
25	1000517	●CABLE, HANDLE	1
26	99918243	PIN	2
27	800495	●GEARWHEEL	1
28	99923586	●RING	2
29	1000512	ASM., WIRE	1
30	801259	●PLUNGER	1
31	1002016	●ASM., TUBE	1
32	1000476	ROD, RELEASE	1
33	99915228	●SPRING	1
34	801449	SCREW	2
35	99918249	LABEL, "TENNANT"	1
36	130176	●BELT CLIP, STRAIN-RELIEF (OPTIONAL)	
37	1000760	COVER, HANDLE	1
38	603104	HOOK, CORD QUICK-RELEASE	1
39	603108	SPRING	1
40	140239	SCREW, 3/8X1-3/4 SHOULDER	1

- RECOMMENDED STOCK ITEM / PIEZAS RECOMENDADAS EN ALMACÉN / ÉLÉMENTS DE STOCK RECOMMANDÉS

BASE GROUP / BASE GRUPO / GROUPE BASE



PARTS LIST - LISTA DE PIEZAS - LISTE DES PIÈCES

BASE GROUP / BASE GRUPO / GROUPE BASE

REF	PART #	DESCRIPTION	QTY.
1	600189	CASTER, SWIVEL, 2.5D 1.1W, .50-13 STEM	1
2	140509	NUT, HEX, JAM, .50-13, SS	1
3	630613	STRIP, SKID	1
4	069767094	KIT, BAND REPLACEMENT	1
5	602044000	FASTENER, ADJUSTING SKIRT	1
6	1005629	●SKIRT, DUST CONTROL	1
7	1000773	BASE, TEAL	1
8	1001193	AXLE, .5" DIA X 14.72" LG	1
9	103019	CAP, HUB	2
10	1001369	WHEEL, 5"X1.5 GRAY	2
11	4252	WASHER, 1/2 COMPRESSION	2
12	140063	WASHER, .51X1.25X.25	2
13	1000617	●BAG, FILTER (CLOTH - STD)	1
	1001923	●BAG, FILTER (PAPER - OPTION PKG OF 10 BAGS)	1
14	140962	LATCH, SPRING KNURLED	1
15	1000277	DOOR, BAG	1
16	140706	RIVET, POP 1/8	2
17	1000225	BRACKET, HANDLE SUPPORT	1
18	1000307	HANDLE, PIVOT, HALF	2
19	140027	WASHER, FLAT .31	4
20	140350	SCREW, PAN, #10-24 X 0.50, SS, PHL	6

REF	PART #	DESCRIPTION	QTY.
21	1016399	SCREW, HEX, M8 X 1.25 X 30, NL, SS	4
22	140014	WASHER, FLAT, .31B 1.50D, FENDR	1
23	1020341	SCREW, HEX, M8 X 1.25 X 20, SS, SEMS	4
▽ 24	600974	●KNOB, W/SET SCREW	1
▲ 25	140894	SCREW, SET 10-32X1/4	1
26	611865	STUD, ADJUSTER	1
27	20536-2	WASHER, FLAT, 0.47B 1.19D .03	1
28	200001486	SCREW, M8X1.25X16	2
29	200101017	NUT, M8X1.25 HXJM	2
30	1010685	SPRING, EXTN, 0.98OD X 0.11WIR	2
31	36643	NUT, 3/8- 16 JAM NYLOCK	1
32	600194	BRACKET, SPRING	1
33	200001483	SCREW, M8X1.25X12	1
▽ 34	1000156	COVER, MOTOR TEAL	1
▲ 35	1047746	LABEL, LOGO, 6.9L, WHITE [TENNANT]	1
36	612771	LABEL, PAD PRESSURE	1
37	1009159	●GAUGE, PAD PRESSURE	1
38	1026786	LABEL, WARNING	1
39	1034731	SCREW, HEX, M6 X 1.0 X 16, SS, SEMS	2
40	130175	PLUG, DOME .75OD BLACK	2
41	612769	LABEL, "2370"	2
42	1005645	SHIELD, SKIRT	1

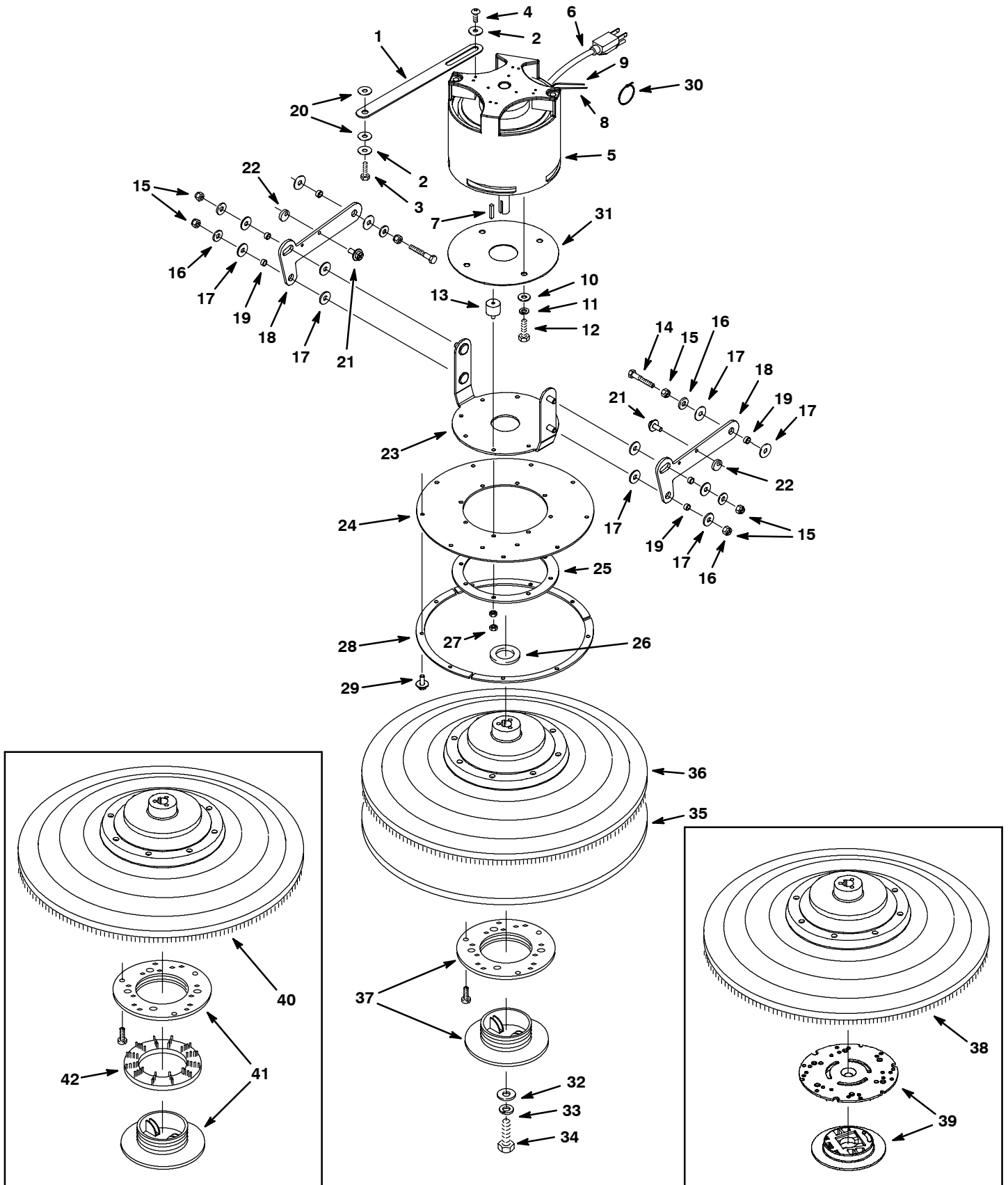
▽ ASSEMBLY / CONJUNTO

▲ INCLUDED IN ASSEMBLY / INCLUIDO EN EL CONJUNTO

● RECOMMENDED STOCK ITEMS / ARTICULOS RECOMENDADOS

PARTS LIST - LISTA DE PIEZAS - LISTE DES PIÈCES

PAD DRIVER GROUP / GRUPO IMPULSOR DE LA ALMOHADILLA / GROUPE ENTRAINEMENT DU PATIN



PARTS LIST - LISTA DE PIEZAS - LISTE DES PIÈCES

PAD DRIVER GROUP / GRUPO IMPULSOR DE LA ALMOHADILLA / GROUPE ENTRAINEMENT DU PATIN

REF	PART #	DESCRIPTION	QTY.
1	613910	STRAP, MOTOR STOP	1
2	140003	WASHER, 1/4X1 FENDER	2
3	15678	SCREW, M6X1.0X16 HXHDCP	1
4	140350	SCREW, #10X1/2 PANPHL	1
▽ 5	1000584	●MOTOR, 2000RPM 1.5HP 115V	1
▲	22117	●BRUSH, CARBON	4
▲	190753	●RECTIFIER	1
▲ 6	1001679	CORD, MOTOR	1
▲ 7	140628	KEY, 3/16X3/16X1.0"	1
▲ 8	1000483	ASM, WIRE #14X400BLK 1/4FX1/4F	1
▲ 9	1000484	ASM, WIRE #14X400WHT 1/4FX10R	1
10	140028	WASHER, FLAT 3/8	4
11	140017	WASHER, LOCK .38	4
12	2949.5	SCREW, HEX .38-16X.62	4
13	1000409	MOUNT, STUD/PLATE	4
14	140233	SCREW, 3/8-16X1-3/4	2
15	36643	NUT, 3/8-16 JAM NYLOCK	6
16	140028	WASHER, FLAT 3/8	6
17	20536-2	WASHER, FLAT, 0.47B 1.19D .03	12
18	611859	BRACKET, LIFT ARM	2
19	600191	SLEEVE, .50DX.375BX.23L STEEL	6
20	575600	WASHER, .25X1.06 NEOPRENE	2
21	1034731	SCREW, HEX, M6 X 1.0 X 16, SS, SEMS	2

▽ ASSEMBLY / CONJUNTO

▲ INCLUDED IN ASSEMBLY / INCLUIDO EN EL CONJUNTO

● RECOMMENDED STOCK ITEMS / ARTICULOS RECOMENDADOS

REF	PART #	DESCRIPTION	QTY.
22	1001408	CAM, STOP	2
23	611862	BRACKET, MOTOR	1
24	1000703	SEAL, RUBBER	1
25	1000713	PLATE, MOTOR MOUNT SEAL	1
26	069760023	WASHER, .77BX1.26DX.03	1
27	140524	NUT, 1/4-20 KEP	8
28	1000711	PLATE, BASE SEAL	3
29	1034731	SCREW, HEX, M6 X 1.0 X 16, SS, SEMS	9
30	130040	WIRE TIE	1
31	1001311	RETAINER, SEAL	1
32	25732	WASHER, .36BX1.25DX.93 FLAT	1
33	140015	WASHER, 5/16 LOCK	1
34	140221	SCREW, 5/16-18X1-1/4 HXHDCP	1
35	611788	●PAD, 20" BURNISH HAIRBLEND (5 PADS)	1
▽ 36	1041196	●DRIVER ASSY, PAD, 20.0D, W/ HUB (SN 10358617-)	1
▲ 37	630473	DEVICE, CENTERING, RH (SN 10358617-)	1
▽ 38	1019931	●DRIVER ASSY, PAD, 20.0D, W/ HUB (SN 10218332-10358616)	1
▲ 39	370095	DEVICE, CENTERING, CLIP ON (SN 10218332-10358616)	1
▽ 40	605348	●DRIVER ASSY, PAD, 20.0D, W/ HUB (SN 00000000-10218331)	1
▲ 41	32506	DEVICE, CENTERING, RH PAD RET. (SN 00000000-10218331)	1
42	32505	●WASHER, FLAT, 3.60B 5.65D .06 (SN 00000000-10218331)	1