



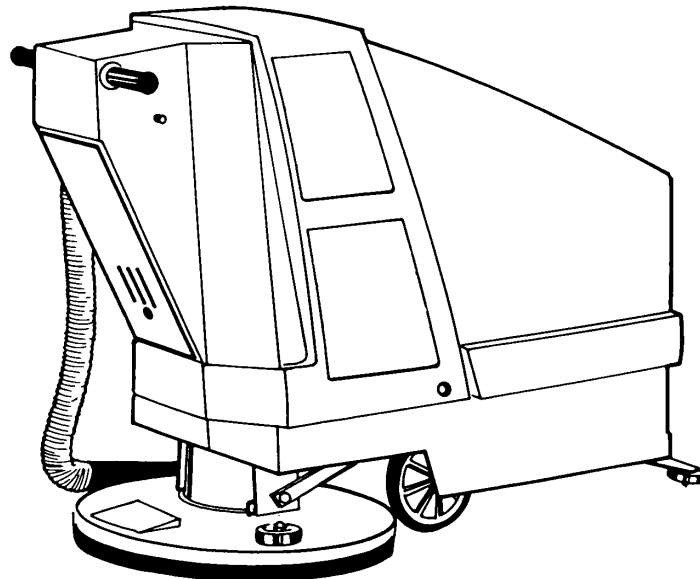
BR-2250/BR-2500

Burnisher

Model No.:

- 608342 – BR-2250
- 608343 – BR-2250 Pac
- 609248 – BR-2250 Can. Pac
- 608340 – BR-2500
- 608341 – BR-2500 Pac
- 609247 – BR-2500 Can. Pac

Operator and Parts Manual



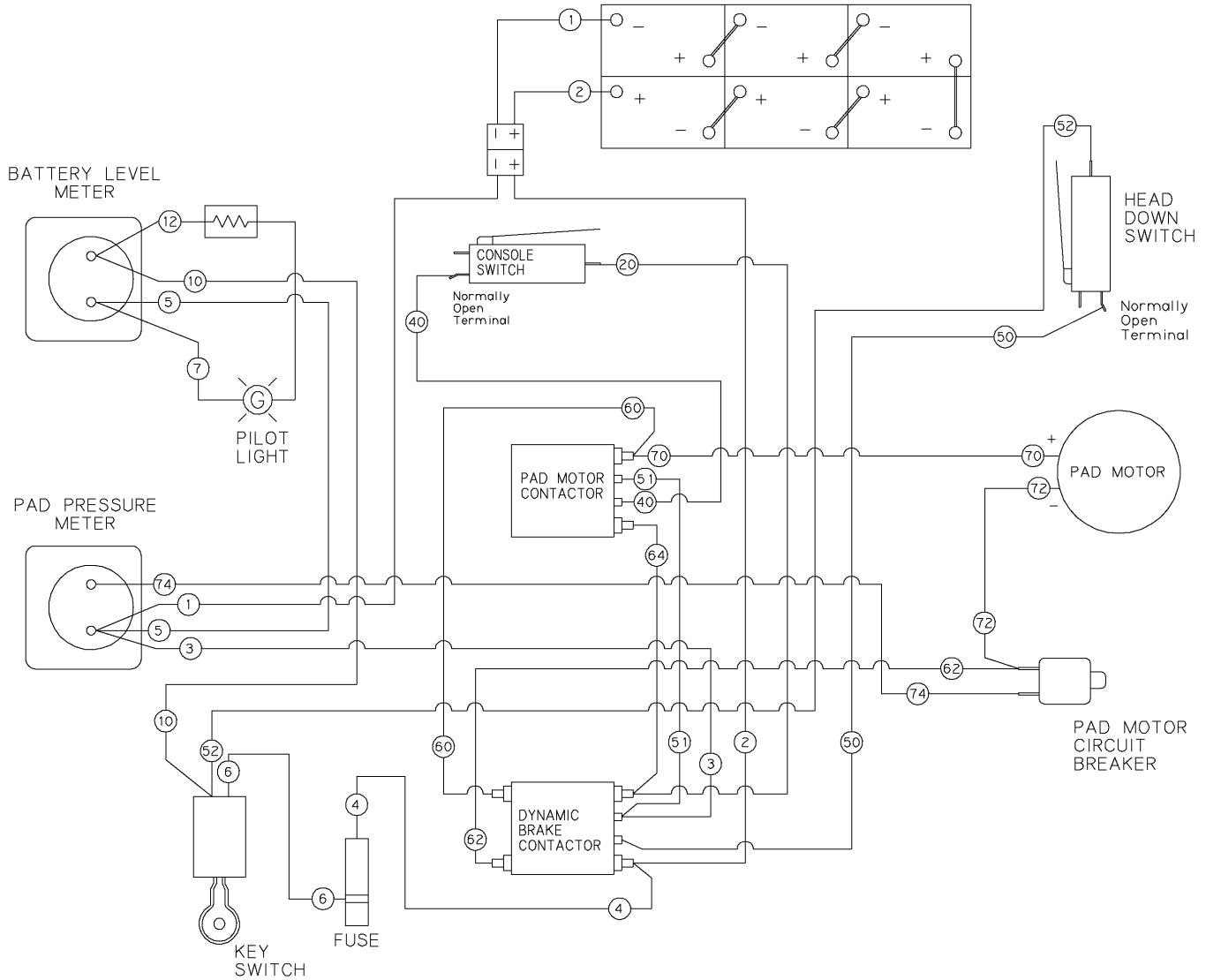
NOBLES
12875 RANSOM STREET
HOLLAND MI 49424 U.S.A.

CUSTOMER SERVICE: 1-800-365-6625
FAX: 1-800-678-4240

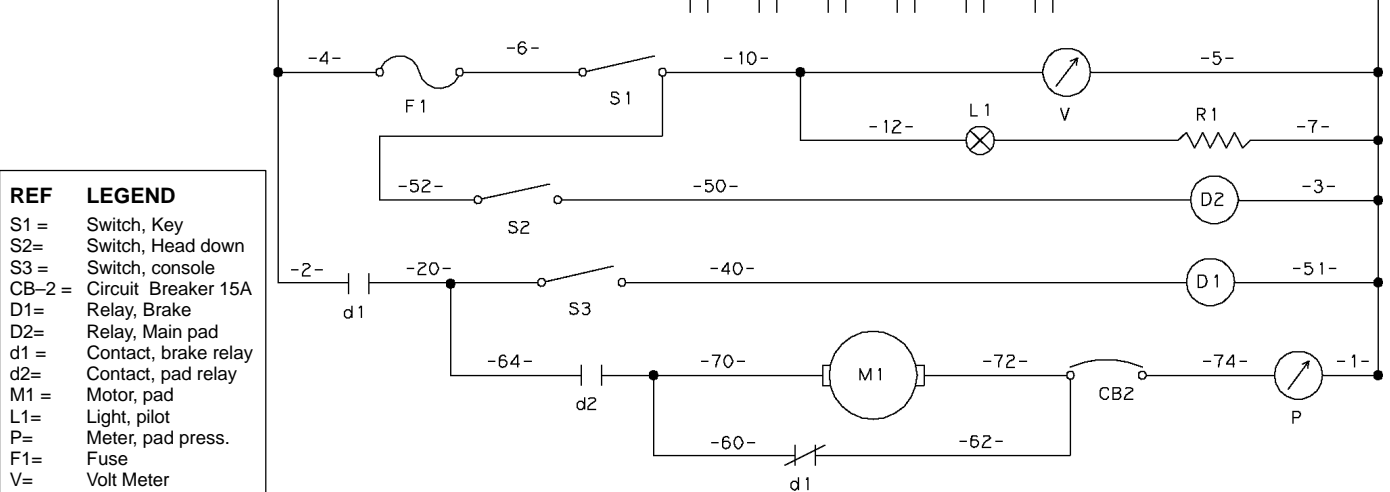
608376
Rev. 01 (11-01)

ELECTRICAL DIAGRAM

BR-2250 WIRE DIAGRAM



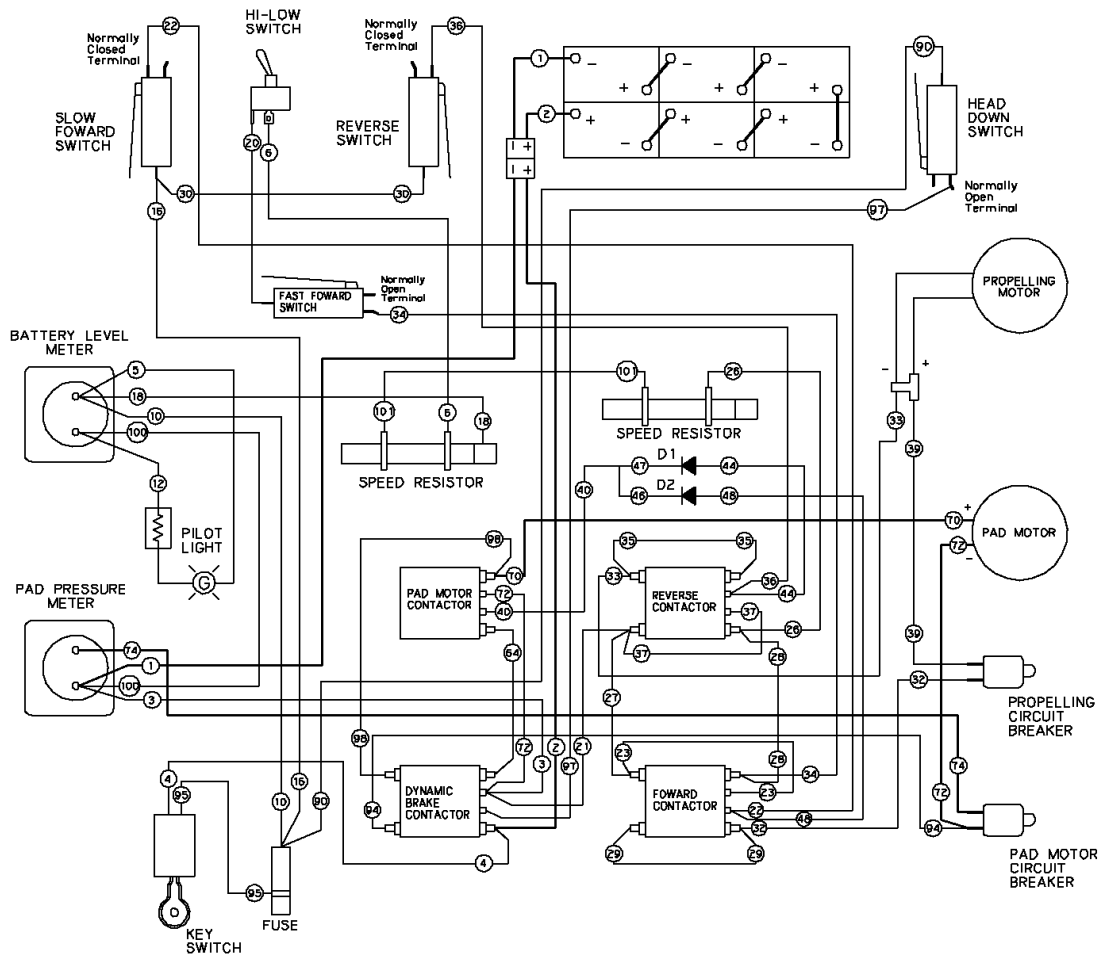
BR-2250 LADDER DIAGRAM



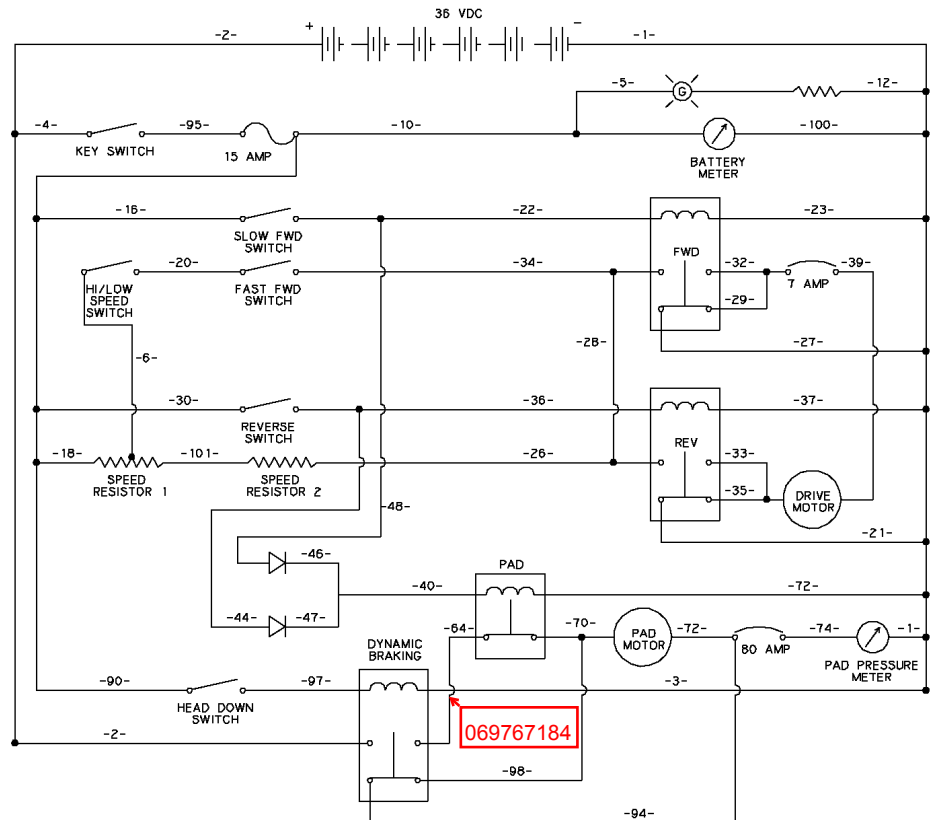
| REF | LEGEND |
|--------|----------------------|
| S1 = | Switch, Key |
| S2 = | Switch, Head down |
| S3 = | Switch, console |
| CB-2 = | Circuit Breaker 15A |
| D1 = | Relay, Brake |
| D2 = | Relay, Main pad |
| d1 = | Contact, brake relay |
| d2 = | Contact, pad relay |
| M1 = | Motor, pad |
| L1 = | Light, pilot |
| P = | Meter, pad press. |
| F1 = | Fuse |
| V = | Volt Meter |

ELECTRICAL DIAGRAM

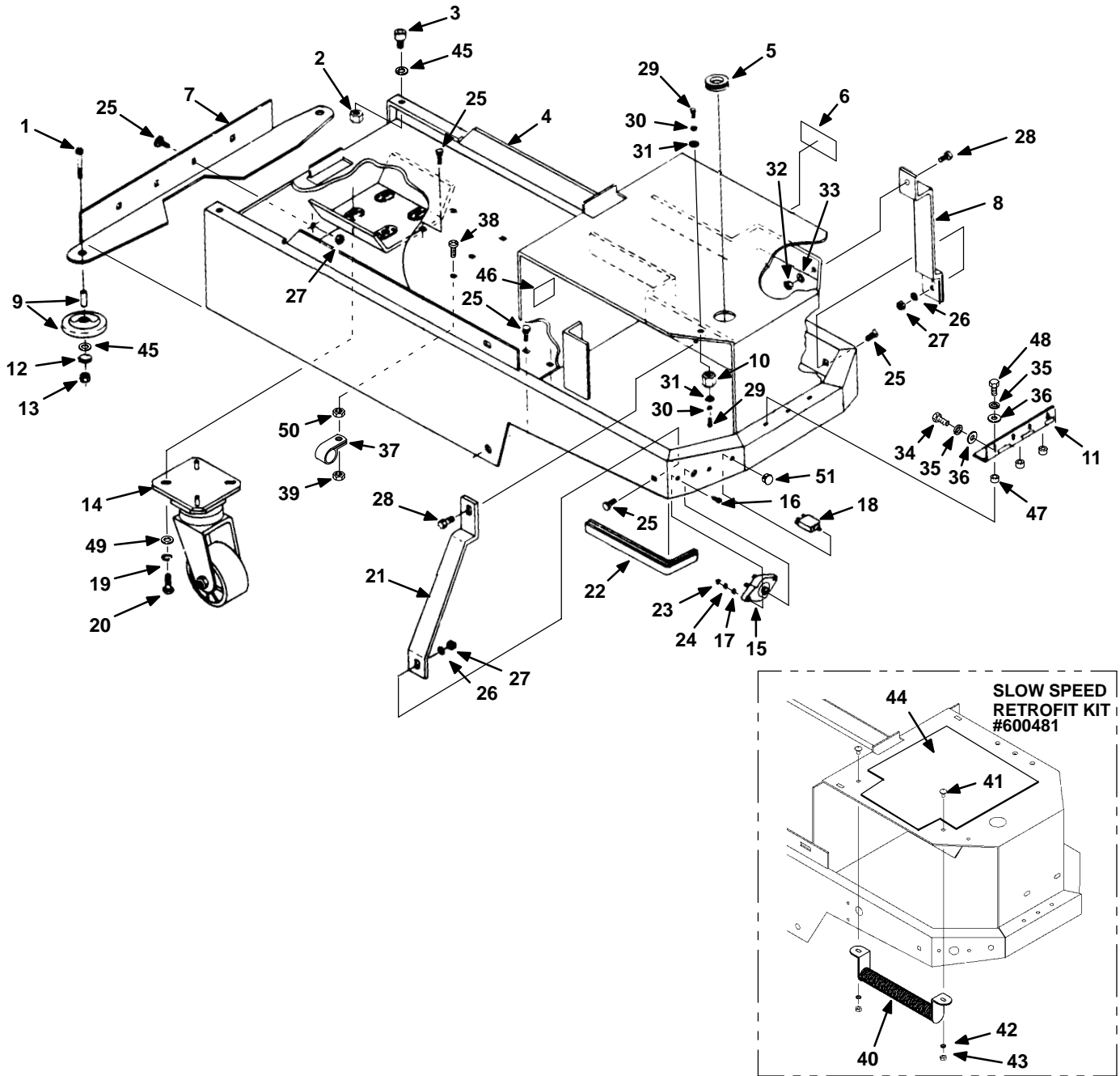
BR-2500 WIRE DIAGRAM



BR-2500 LADDER DIAGRAM



FRAME GROUP



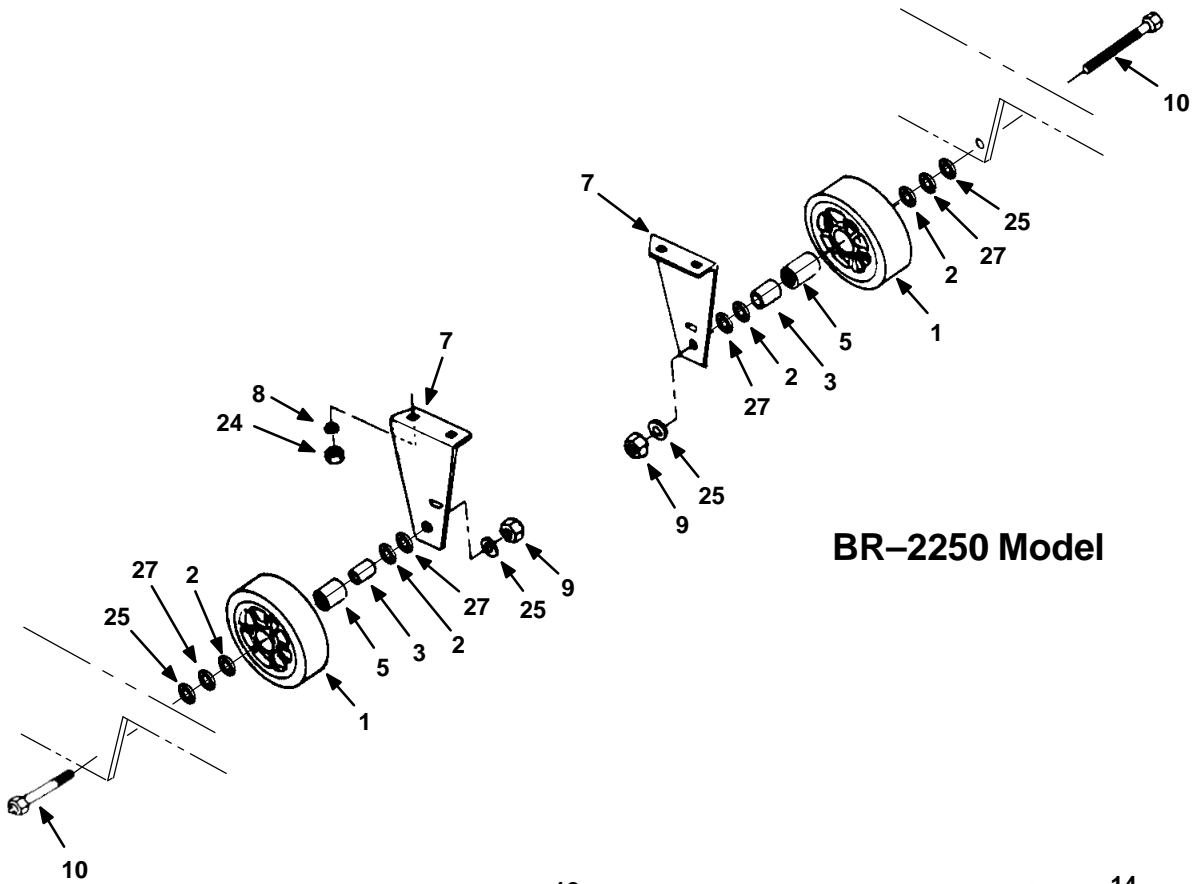
FRAME GROUP

| REF | PART # | DESCRIPTION | QTY. |
|-------|-----------|---|------|
| 1 | 621286000 | SCREW, M8 X 1.25 X 45 HXHDCP | 2 |
| 2 | 200160017 | NUT, M8 LOCK | 2 |
| 3 | 200001486 | SCREW, M8 X 1.25 X 16 SKHDCP | 2 |
| 4 | 069767001 | FRAME WELDT. | 1 |
| 5 | 069762009 | GROMMET | 1 |
| 6 | 602063000 | DECAL, CAUTION, PAD ADJUST. | 1 |
| 7 | 069767102 | BRACKET, WALL ROLLER | 1 |
| 8 | 069767178 | BRACKET, FRAME SUP. (BR-2500) | 1 |
| 9 | 630450 | WHEEL, RUBBER | 2 |
| 76062 | 578427 | STANDOFF, TERMINAL | 1 |
| 11 | 069767036 | HINGE, SHROUD | 1 |
| 12 | 140015 | WASHER, 5/16 LOCK | 2 |
| 13 | 200640017 | NUT, M8 HEX | 2 |
| 14 | 069760030 | CASTER | 1 |
| 15 | 130781 | ●BREAKER, CIRCUIT, 80A | 1 |
| 16 | 602168000 | SCREW, #10-32 X 1 PAN HD. | 2 |
| 17 | 069762056 | WASHER, #10 FLAT | 2 |
| 18 | 069767136 | ●BREAKER, CIRCUIT, 7A (BR-2500) | 1 |
| 19 | 200351020 | WASHER, M10.2 LOCK | 4 |
| 20 | 200031541 | SCREW, 10 X 25 HXHDCP | 4 |
| 21 | 069767174 | BRACKET, FRAME SUP. (BR-2500) | 1 |
| 22 | 180014003 | EDGING, 20" | 1 |
| 23 | 575380 | NUT, #10-32 HEX | 2 |
| 24 | 069762005 | WASHER, #10 FLAT | 2 |
| 25 | 069767077 | SCREW, 5/16-18 X 3/4 CARRIAGE (BR-2250) | 8 |
| | 069767077 | SCREW, 5/16-18 X 3/4 CARRIAGE (BR-2500) | 14 |

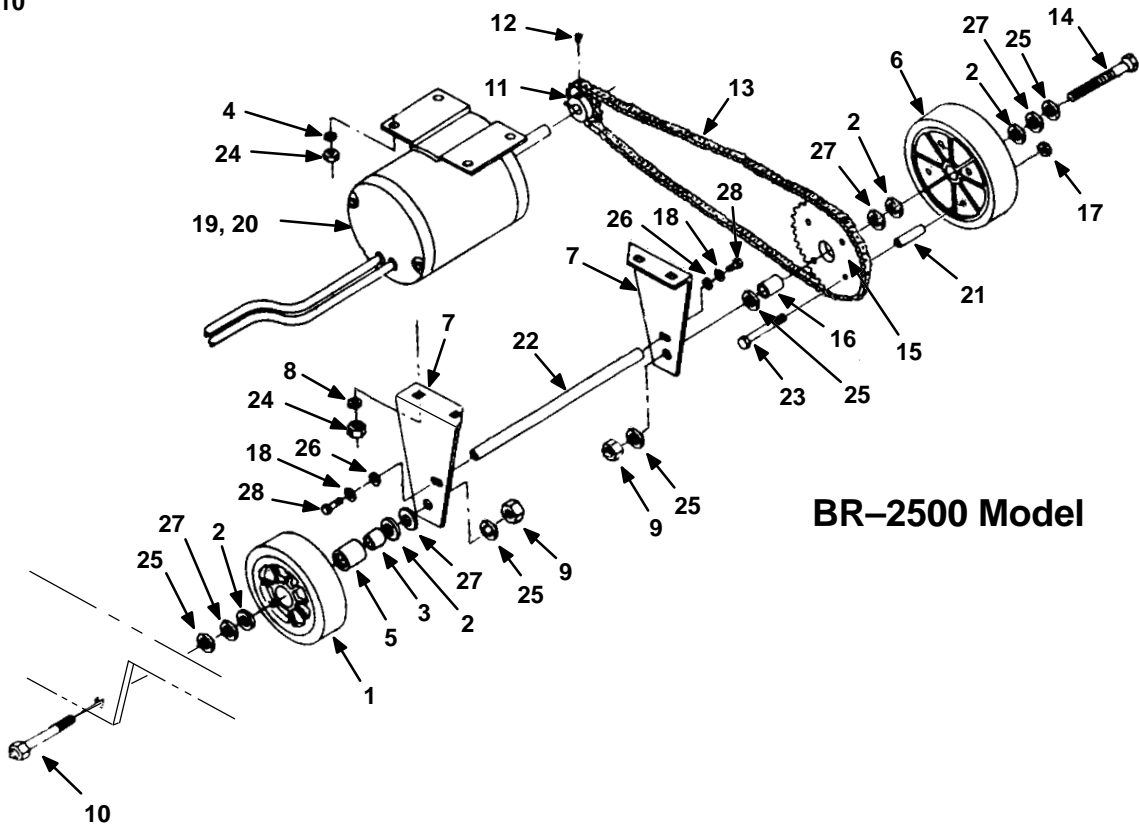
● RECOMMENDED STOCK ITEMS

| REF | PART # | DESCRIPTION | QTY. |
|-----|-----------|--------------------------------------|------|
| 26 | 069760082 | WASHER, 1/4 FLAT (BR-2500) | 2 |
| 27 | 140546 | NUT, 5/16-18 NYLK (BR-2250) | 4 |
| | 140546 | NUT, 5/16-18 NYLK (BR-2500) | 6 |
| 28 | 200607491 | SCREW, M8 X 1.25 X 25 HXHD (BR-2500) | 2 |
| 29 | 069762115 | SCREW, 1/4-20 X 1/2 HXHDCP | 2 |
| 30 | 140016 | WASHER, 1/4 LOCK | 2 |
| 31 | 579210 | WASHER, M6 FLAT | 2 |
| 32 | 200160017 | NUT, M8 LOCK (BR-2500) | 2 |
| 33 | 200303019 | WASHER, M8.4 FLAT (BR-2500) | 2 |
| 34 | 200031433 | SCREW, M6 X 1.0 X 12 HXHDCP | 4 |
| 35 | 140016 | WASHER, 1/4 LOCK | 7 |
| 36 | 140012 | WASHER, 3/16 FLAT | 7 |
| 37 | 140916 | CLAMP (BR-2500) | 1 |
| 38 | 140196 | SCREW, #10-24 X 1 TRSPHL (BR-2500) | 1 |
| 39 | 140552 | NUT, #10-24 LOCK (BR-2500) | 1 |
| 40 | 069764063 | RESISTOR, SLOW SPEED (BR-2500) | 1 |
| 41 | 15858.12 | SCREW, #10-24 X 3/4 FLTPHL (BR-2500) | 2 |
| 42 | 200315016 | WASHER, M5.3 FLAT (BR-2500) | 2 |
| 43 | 140519 | NUT, #10-24 KEP (BR-2500) | 2 |
| 44 | 621052000 | PLATE, BATTERY | 1 |
| 45 | 140027 | WASHER, 5/16 FLAT | 4 |
| 46 | 602202000 | DECAL, HOT CAUTION (BR-2500) | 1 |
| 47 | 019686055 | SPACER | 3 |
| 48 | 200609438 | SCREW, M6 X 20 HXHDCP | 3 |
| 49 | 579144 | WASHER, M10 FLAT | 4 |
| 50 | 140519 | NUT, #10-24 KEP (BR-2500) | 1 |
| 51 | 130280 | PLUG, DOME, 7/16 (BR-2250) | 1 |

DRIVE GROUP



BR-2250 Model



BR-2500 Model

DRIVE GROUP

| REF | PART # | DESCRIPTION | QTY. |
|-----|-----------|-----------------------------|------|
| ▽ 1 | 069767082 | ●WHEEL (BR-2250) | 2 |
| | 069767082 | ●WHEEL (BR-2500) | 1 |
| ▲ 2 | 602171000 | ●WASHER, THRUST | 4 |
| ▲ 3 | 069767004 | ●SPANNER, BUSHING (BR-2250) | 2 |
| | 069767004 | ●SPANNER, BUSHING (BR-2500) | 1 |
| 4 | 14880.5 | WASHER, 5/16 FLAT | 4 |
| ▲ 5 | 602013000 | ●BEARING, WHEEL (BR-2250) | 2 |
| | 602013000 | ●BEARING, WHEEL (BR-2500) | 1 |
| 6 | 069767003 | ●WHEEL (BR-2500) | 1 |
| 7 | 069767002 | BRACKET, WHEEL MOUNT | 2 |
| 8 | 069760082 | WASHER, 1/4 FLAT | 4 |
| ▲ 9 | 069767162 | NUT, 1/2-20 HEX | 2 |
| 10 | 621237000 | AXLE (BR-2250) | 2 |
| | 621237000 | AXLE (BR-2500) | 1 |
| 11 | 069767008 | SPROCKET | 1 |
| 12 | 602011000 | SCREW, SET | 2 |
| 13 | 069767011 | ●CHAIN | 1 |
| 14 | 621238000 | AXLE (BR-2500) | 1 |

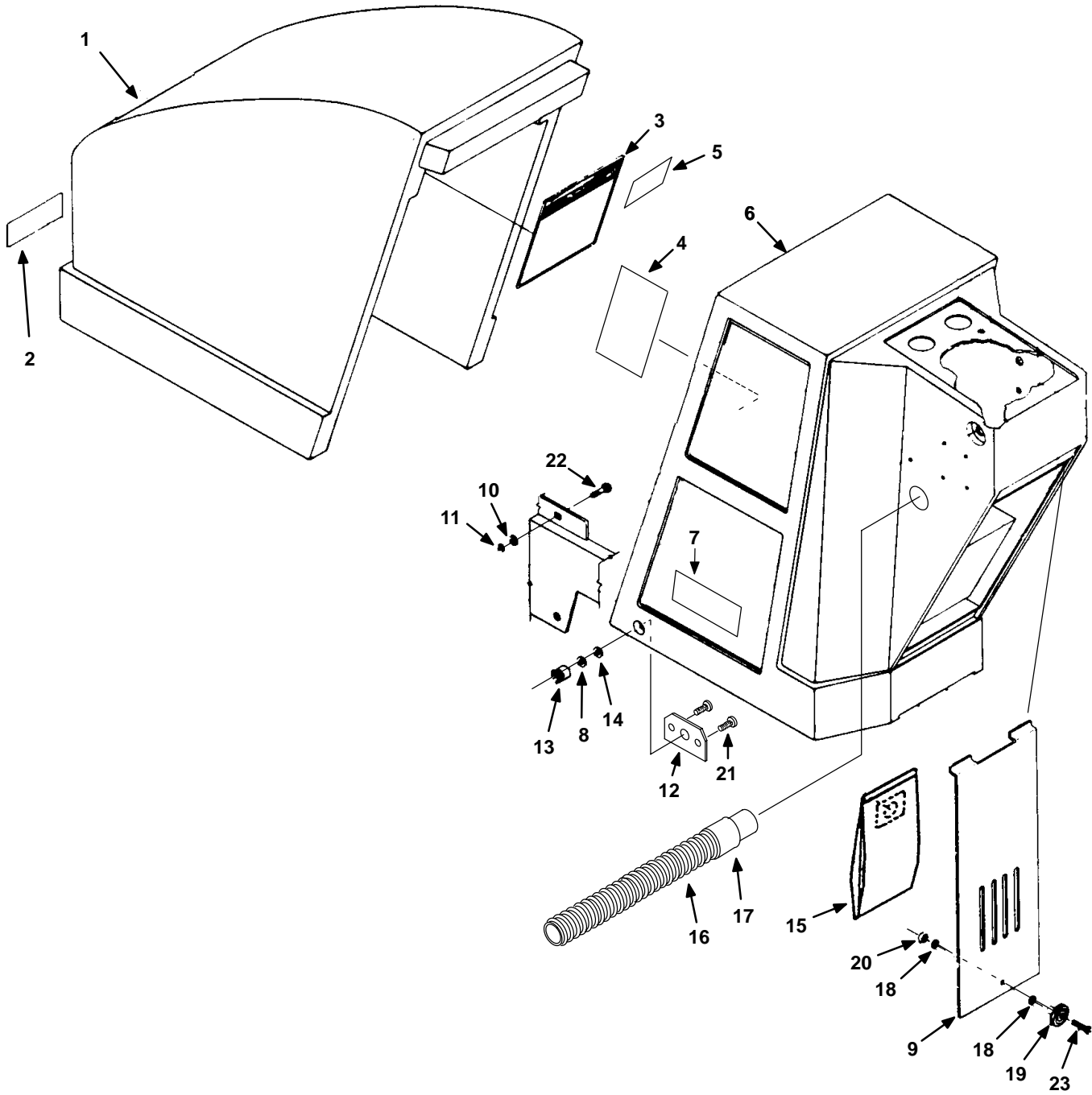
| REF | PART # | DESCRIPTION | QTY. |
|-----|-----------|---|------|
| 15 | 069767007 | SPROCKET | 1 |
| 16 | 069767005 | ●SPACER, WHEEL | 1 |
| 17 | 140501 | NUT, 1/4-20 NYLK | 4 |
| 18 | 140016 | WASHER, 1/4 LOCK | 2 |
| 19 | 069767010 | MOTOR, DRIVE | 1 |
| 20 | 602130000 | ●MOTOR BRUSH (SET/2) | 1 |
| 21 | 069767006 | ●SPACER, SPROCKET MNT. | 4 |
| 22 | 069767161 | SUPPORT, WHEEL MNT. | 1 |
| 23 | 140209 | SCREW, 1/4-20 X 2-1/2 HEX HD. | 4 |
| | 621311000 | SERVICE KIT, WHL SHIMS | 1 |
| 24 | 140546 | NUT, 5/16-18 NYLK (BR-2250) | 4 |
| | 140546 | NUT, 5/16-18 NYLK (BR-2500) | 8 |
| 25 | 069760091 | WASHER, .560 X 1.38 X .100 FLAT (BR-2250) | 4 |
| | 069760091 | WASHER, .560 X 1.38 X .100 FLAT (BR-2500) | 5 |
| 26 | 579210 | WASHER, M6 FLAT | 2 |
| 27 | 069762426 | WASHER, 3/4 X 1-1/4 X .02 FLAT | 4 |
| 28 | 200609438 | SCREW, M6 X 20 HXHDPC | 2 |

▽ ASSEMBLY

▲ INCLUDED IN ASSEMBLY

● RECOMMENDED STOCK ITEMS

COVER GROUP



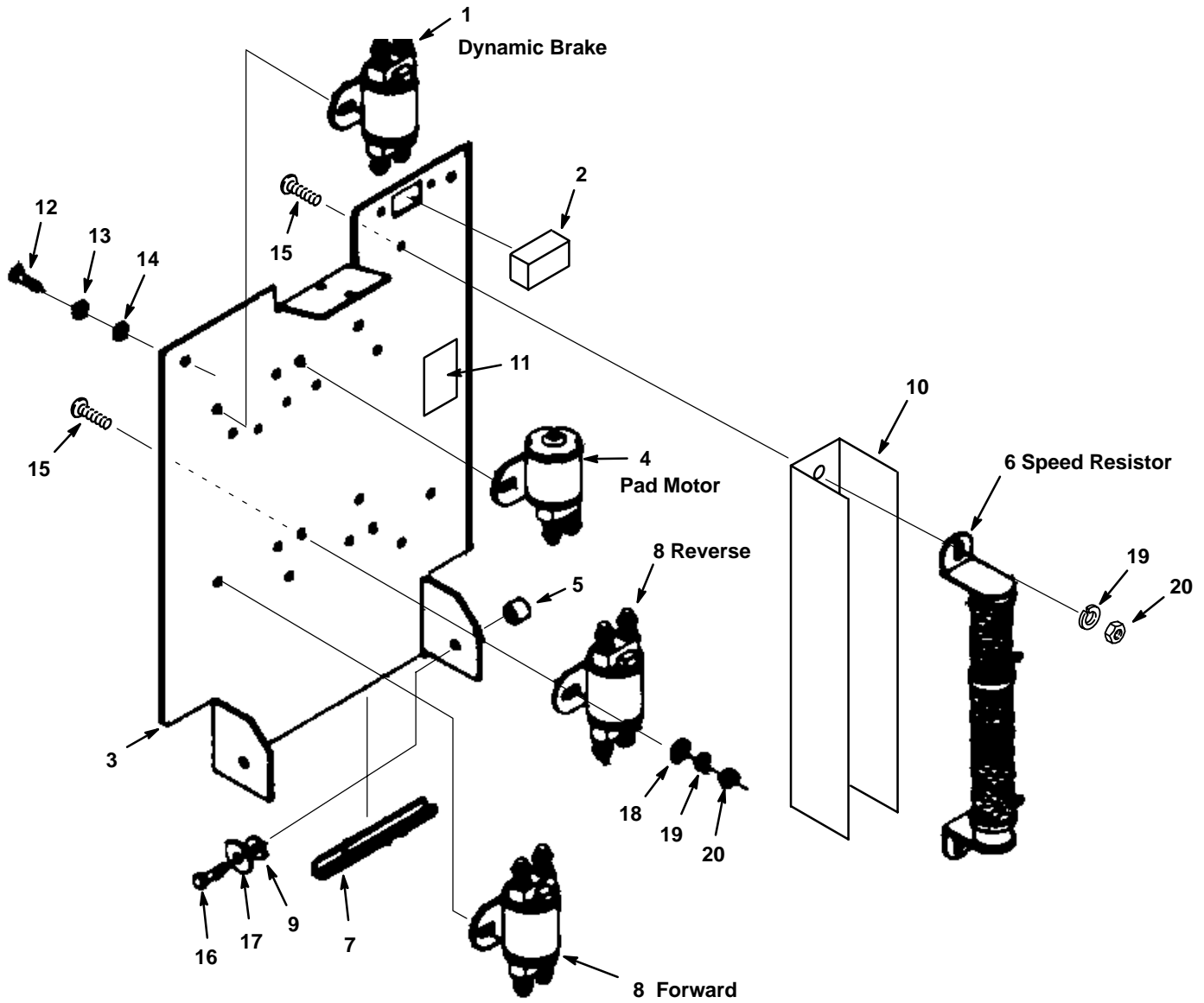
COVER GROUP

| REF | PART # | DESCRIPTION | QTY. |
|-----|-----------|----------------------------------|------|
| 1 | 608374 | HOOD, FRONT, GREEN | 1 |
| 2 | 608186 | DECAL, "NOBLES" | 1 |
| 3 | 069767135 | DECAL, MAINT. | 1 |
| 4 | 604957 | DECAL, BATTERY DIAGRAM (BR-2250) | 1 |
| | 069767119 | DECAL, WIRING (BR-2500) | 1 |
| 5 | 069780017 | DECAL, CAUTION CHARGE | 1 |
| 6 | 608372 | SHROUD, REAR, GREEN | 1 |
| 7 | 608377 | DECAL, "BR-2250" | 2 |
| | 608375 | DECAL, "BR-2500" | 2 |
| 8 | 200370019 | WASHER, M8 LOCK | 2 |
| 9 | 069767179 | DOOR, VAC. COMPART. | 1 |
| 10 | 14880.5 | WASHER, 5/16 FLAT | 2 |

- RECOMMENDED STOCK ITEMS

| REF | PART # | DESCRIPTION | QTY. |
|-----|-----------|--------------------------------|------|
| 11 | 140546 | NUT, 5/16-18 NYLK | 2 |
| 12 | 069767096 | STIFFENER, R. SHROUD | 2 |
| 13 | 602074000 | ●NUT, WING, SHROUD | 2 |
| 14 | 14880.5 | WASHER, 5/16 FLAT | 2 |
| 15 | 611786 | ●BAG, VACUUM, PAPER (10 PCS) | 1 |
| | 069767155 | ●BAG, VACUUM, CLOTH | 1 |
| 16 | 069767187 | ●HOSE, DUST CONTROL | 1 |
| 17 | 069767189 | ●CUFF, DUST CONTROL | 1 |
| 18 | 602139000 | WASHER, M6 FLAT, NYLON | 2 |
| 19 | 578439 | KNOB | 1 |
| 20 | 579028 | NUT, M6 HXLCK | 1 |
| 21 | 200058432 | SCREW, M6 X 1.0 X 10 FLAT HEAD | 4 |
| 22 | 621129000 | SCREW, 5/16-18 X 1.25 CARRIAGE | 2 |
| 23 | 200031441 | SCREW, M6 X 1.0 X 25 HXHDPC | 1 |

COMPONENT PANEL GROUP



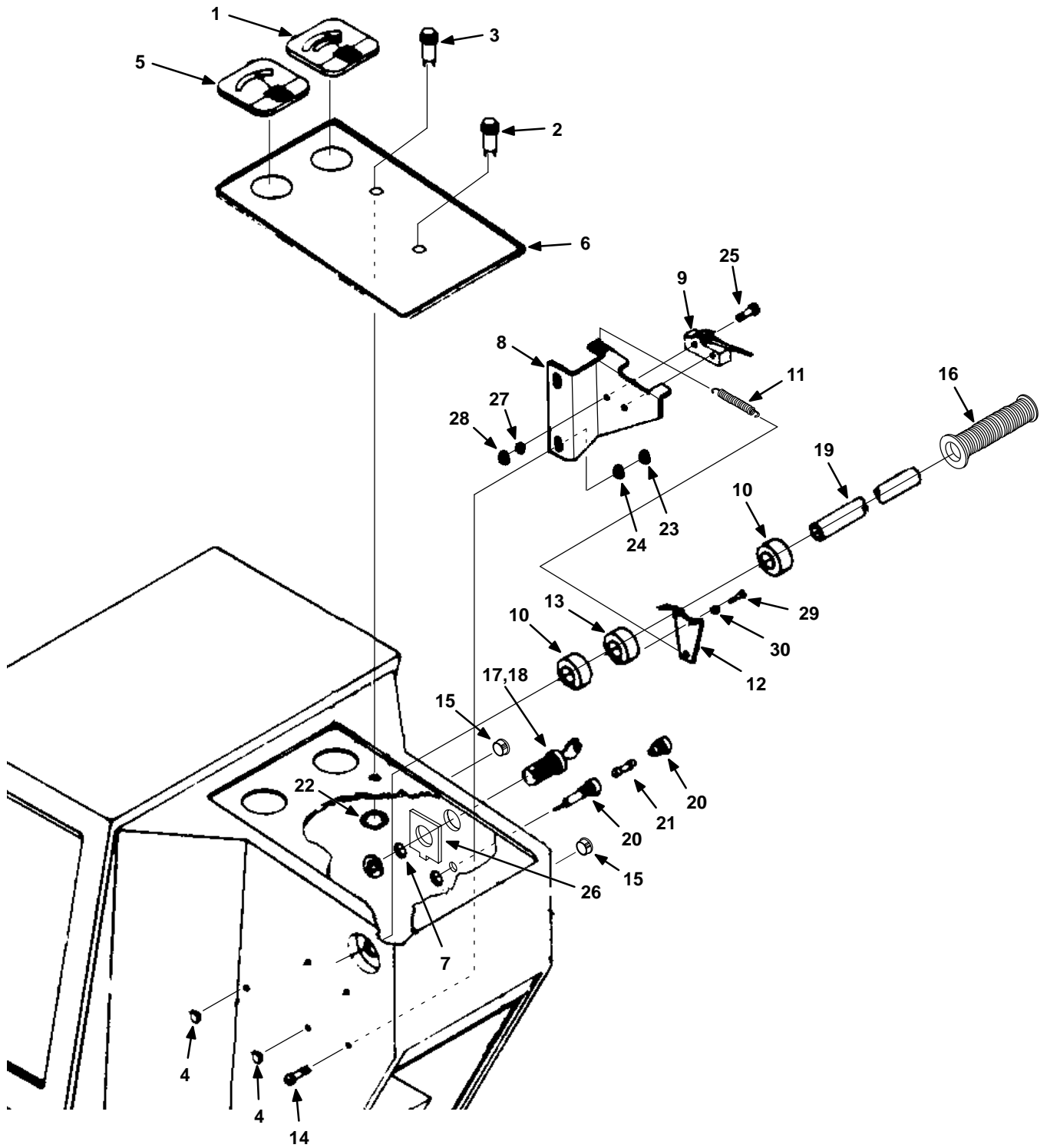
COMPONENT PANEL GROUP

| REF | PART # | DESCRIPTION | QTY. |
|-----|-----------|----------------------------------|------|
| 1 | 069760440 | ●CONTACTOR, SPDT, 100A | 1 |
| 2 | 621297000 | KIT, HOURMETER, (OPTION) | 1 |
| 3 | 069767033 | PANEL, ELECTRICAL | 1 |
| 4 | 621381000 | ●CONTACTOR, 200A, PAD MOTOR | 1 |
| 5 | 019686055 | SPACER, NYLON | 2 |
| 6 | 069764063 | RESISTOR, SPEED (BR-2500) | 1 |
| 7 | 180014003 | EDGING, 8" | 1 |
| 8 | 069760440 | ●CONTACTOR, SPDT, 100A (BR-2500) | 2 |
| 9 | 630446 | WASHER, .318 NYLON | 2 |
| 10 | 602203000 | HEAT SHIELD (BR-2500) | 1 |
| 11 | 602202000 | DECAL, CAUTION HOT (BR-2500) | 1 |
| 12 | 200031433 | SCREW, M6 X 1.0 X 12 HXHDCP | 2 |

● RECOMMENDED STOCK ITEMS

| REF | PART # | DESCRIPTION | QTY. |
|-----|-----------|--|------|
| 13 | 578728 | WASHER, M6 LOCK | 2 |
| 14 | 579210 | WASHER, M6 FLAT | 2 |
| 15 | 069767164 | SCREW, 1/4-20 X 1/2 CARRIAGE (BR-2250) | 4 |
| | 069767164 | SCREW, 1/4-20 X 1/2 CARRIAGE (BR-2500) | 10 |
| 16 | 200609438 | SCREW, M6 X 20 HXHDCP | 2 |
| 17 | 579210 | WASHER, M6 FLAT | 2 |
| 18 | 200303019 | WASHER, M8.4 FLAT (BR-2250) | 4 |
| | 200303019 | WASHER, M8.4 FLAT (BR-2500) | 8 |
| 19 | 140016 | WASHER, 1/4 LOCK (BR-2250) | 4 |
| | 140016 | WASHER, 1/4 LOCK (BR-2500) | 10 |
| 20 | 14501 | NUT, 1/4-20 HEX (BR-2250) | 4 |
| | 14501 | NUT, 1/4-20 HEX (BR-2500) | 10 |

INSTRUMENT PANEL GROUP (BR-2250)



INSTRUMENT PANEL GROUP (BR-2250)

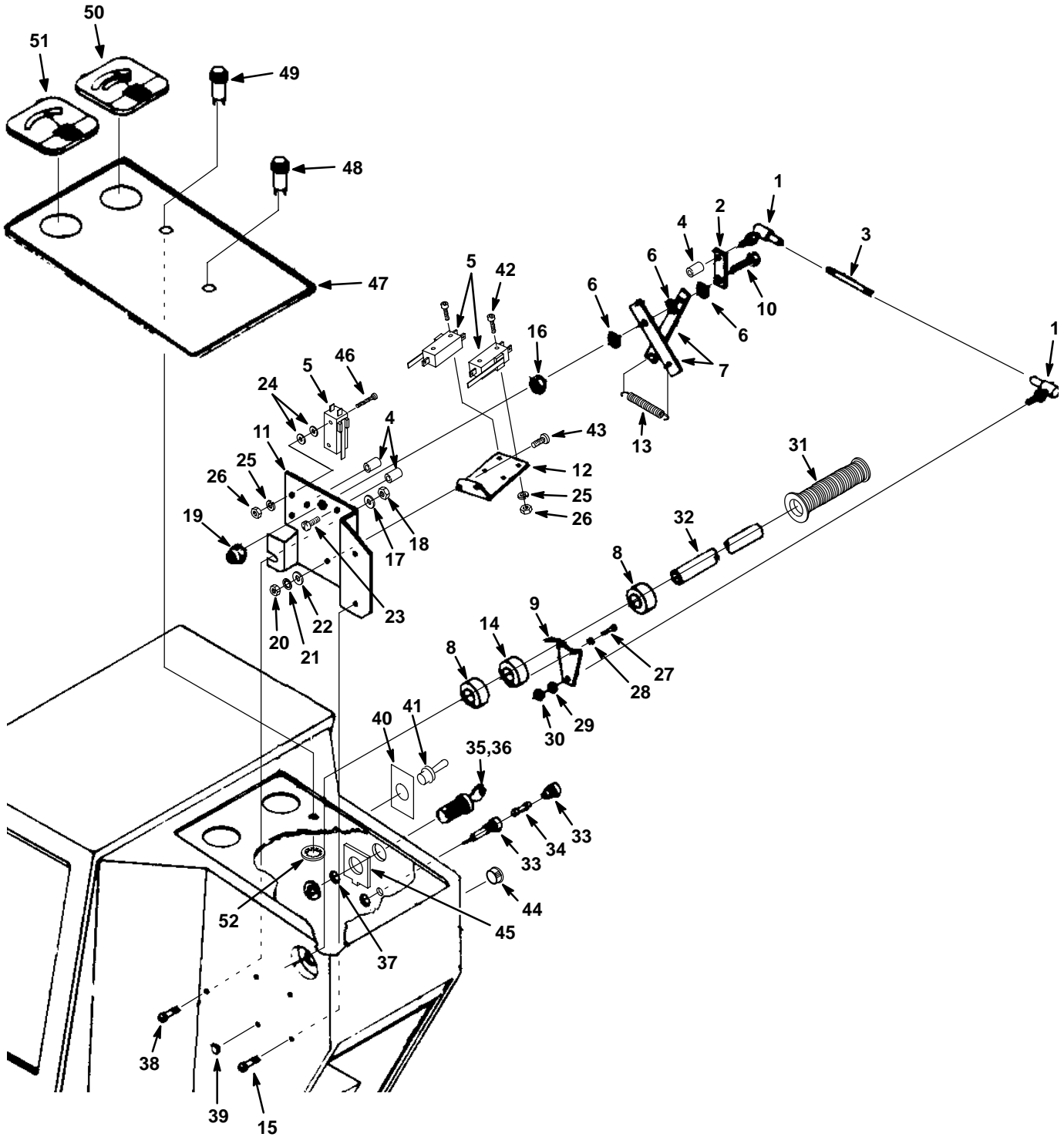
| REF | PART # | DESCRIPTION | QTY. |
|-----|-----------|--------------------------------|------|
| 1 | 602235 | METER, PAD PRESSURE | 1 |
| 2 | 611148000 | LIGHT, PILOT, AMBER | 1 |
| 3 | 626114 | LIGHT, PILOT, GREEN | 1 |
| 4 | 130164 | PLUG, DOME | 3 |
| 5 | 610026 | METER, BATTERY | 1 |
| 6 | 600345 | DECAL, CONSOLE | 1 |
| 7 | 069762306 | WASHER, LOCK | 1 |
| 8 | 069767055 | BRACKET, SWITCH | 1 |
| 9 | 069764009 | ●SWITCH, SNAP | 1 |
| 10 | 630186 | COLLAR, SHAFT | 2 |
| 11 | 069764069 | SPRING | 1 |
| 12 | 069767026 | PLATE | 1 |
| 13 | 069764005 | COLLAR, SWITCH ACTUATOR | 1 |
| 14 | 069764060 | SCREW, 5/16-18 X 3/4 TRUSS HD. | 2 |
| 15 | 069764626 | PLUG, DOME | 2 |

| REF | PART # | DESCRIPTION | QTY. |
|-----|-----------|----------------------------|------|
| 16 | 200823 | GRIP, HANDLE BAR | 2 |
| 17 | 607475 | SWITCH, KEY LOCK | 1 |
| 18 | 607821 | KEY, REPLACEMENT | 1 |
| 19 | 069764062 | BAR, HANDLE | 1 |
| 20 | 578418 | FUSE HOLDER | 1 |
| 21 | 069760639 | ●FUSE, 15A, 32V | 1 |
| 22 | 602140000 | WASHER, RETENTION | 2 |
| 23 | 140546 | NUT, 5/16-18 NYLK | 2 |
| 24 | 140015 | WASHER, 5/16 LOCK | 2 |
| 25 | 069764002 | SCREW, #6-32 X 1 HXHDCP | 2 |
| 26 | 621437000 | BRACKET, KEY SWITCH | 1 |
| 27 | 069764054 | WASHER, #6 LOCK | 2 |
| 28 | 140540 | NUT, #6-32 HEX | 2 |
| 29 | 069764190 | SCREW, M3 X .5 X 16 HXHDCP | 2 |
| 30 | 200351012 | WASHER, M3 LOCK | 2 |

● RECOMMENDED STOCK ITEMS

PARTS LIST

INSTRUMENT PANEL & SPEED CONTROL GROUP (BR-2500)



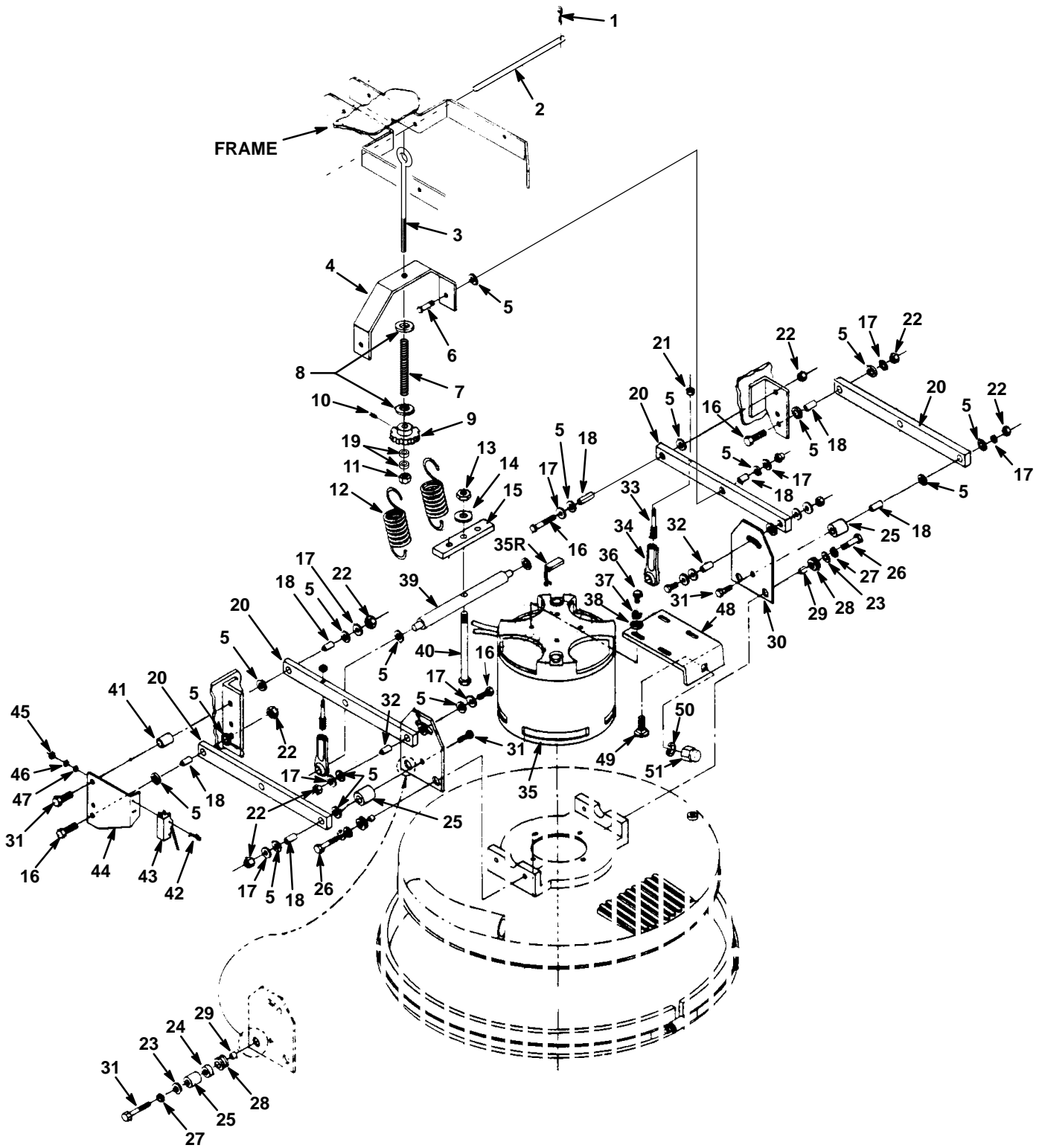
INSTRUMENT PANEL & SPEED CONTROL GROUP (BR-2500)

| REF | PART # | DESCRIPTION | QTY. |
|-----|-----------|--------------------------------|------|
| 1 | 069767070 | BALL JOINT | 2 |
| 2 | 621059000 | STRIP ARM | 1 |
| 3 | 069767058 | ROD, SPEED CTRL. | 1 |
| 4 | 621440000 | SPACER, NYLON | 3 |
| 5 | 069764009 | ●SWITCH, SNAP | 3 |
| 6 | 621439000 | WASHER, .32 NYLON | 3 |
| 7 | 069767066 | LINK, SCISSOR | 2 |
| 8 | 630186 | COLLAR, SHAFT | 2 |
| 9 | 069767026 | PLATE | 1 |
| 10 | 200032496 | SCREW, M8 X 1.25 X 35 HXHDCP | 1 |
| 11 | 621058000 | BRACKET, SPD./DIR. CTRL. | 1 |
| 12 | 069767057 | BRACKET, SWITCH | 1 |
| 13 | 069764069 | SPRING | 1 |
| 14 | 069764005 | COLLAR, SWITCH ACTUATOR | 1 |
| 15 | 069764060 | SCREW, 5/16-18 X 3/4 TRUSS HD. | 2 |
| 16 | 200160017 | NUT, M8 LOCK | 1 |
| 17 | 140015 | WASHER, 5/16 LOCK | 1 |
| 18 | 140546 | NUT, 5/16-18 NYLK | 1 |
| 19 | 200160017 | NUT, M8 LOCK | 1 |
| 20 | 200102014 | NUT, M4 HEX | 2 |
| 21 | 140023 | WASHER, #8 LOCK | 2 |
| 22 | 069760097 | WASHER, #8 FLAT | 2 |
| 23 | 186002085 | SCREW, #10-32 X 3/4 PAN SLOT | 2 |
| 24 | 140026 | WASHER, #6 FLAT | 4 |
| 25 | 069764054 | WASHER, #6 LOCK | 6 |
| 26 | 140540 | NUT, #6-32 HEX | 6 |

● RECOMMENDED STOCK ITEMS

| REF | PART # | DESCRIPTION | QTY. |
|-----|-----------|----------------------------------|------|
| 27 | 069764190 | SCREW, M3 X .5 X 16 HXHDCP | 2 |
| 28 | 200351012 | WASHER, M3 LOCK | 2 |
| 29 | 069762005 | WASHER, #10 FLAT | 1 |
| 30 | 575380 | NUT, #10-32 HEX | 1 |
| 31 | 200823 | GRIP, HANDLE | 2 |
| 32 | 069764062 | BAR, HANDLE | 1 |
| 33 | 578418 | HOLDER, FUSE | 1 |
| 34 | 069760639 | ●FUSE, 15A, 32V | 1 |
| 35 | 607475 | SWITCH, KEY LOCK | 1 |
| 36 | 607821 | KEY, REPLACEMENT | 1 |
| 37 | 069762306 | WASHER, M20 LOCK | 1 |
| 38 | 602234 | SCREW, 5/16-18 X 1 TRUSS HD. | 1 |
| 39 | 130164 | PLUG, BUTTON | 2 |
| 40 | 602212000 | DECAL, SPEED | 1 |
| 41 | 130728 | ●SWITCH, TOGGLE SPEED | 1 |
| 42 | 069764002 | SCREW, #6-32 X 1 HXHDCP | 4 |
| 43 | 579259 | SCREW, M4 X .7 X 12 PANPHL | 2 |
| 44 | 069764626 | PLUG | 1 |
| 45 | 621437000 | BRACKET, KEY SWITCH | 1 |
| 46 | 140830 | SCREW, #6-32 X 1-5/8 PANPHL | 2 |
| 47 | 600346 | DECAL, CONSOLE | 1 |
| 48 | 611148000 | LIGHT, PILOT, AMBER | 1 |
| 49 | 626114 | LIGHT, PILOT, GREEN | 1 |
| 50 | 602235 | METER, PAD PRESSURE | 1 |
| 51 | 610026 | METER, BATTERY | 1 |
| | 602970 | KIT, LOW VOLT INTERRUPT (OPTION) | 1 |
| 52 | 602140000 | WASHER, RETENTION | 2 |

PAD SHROUD LINKAGE GROUP



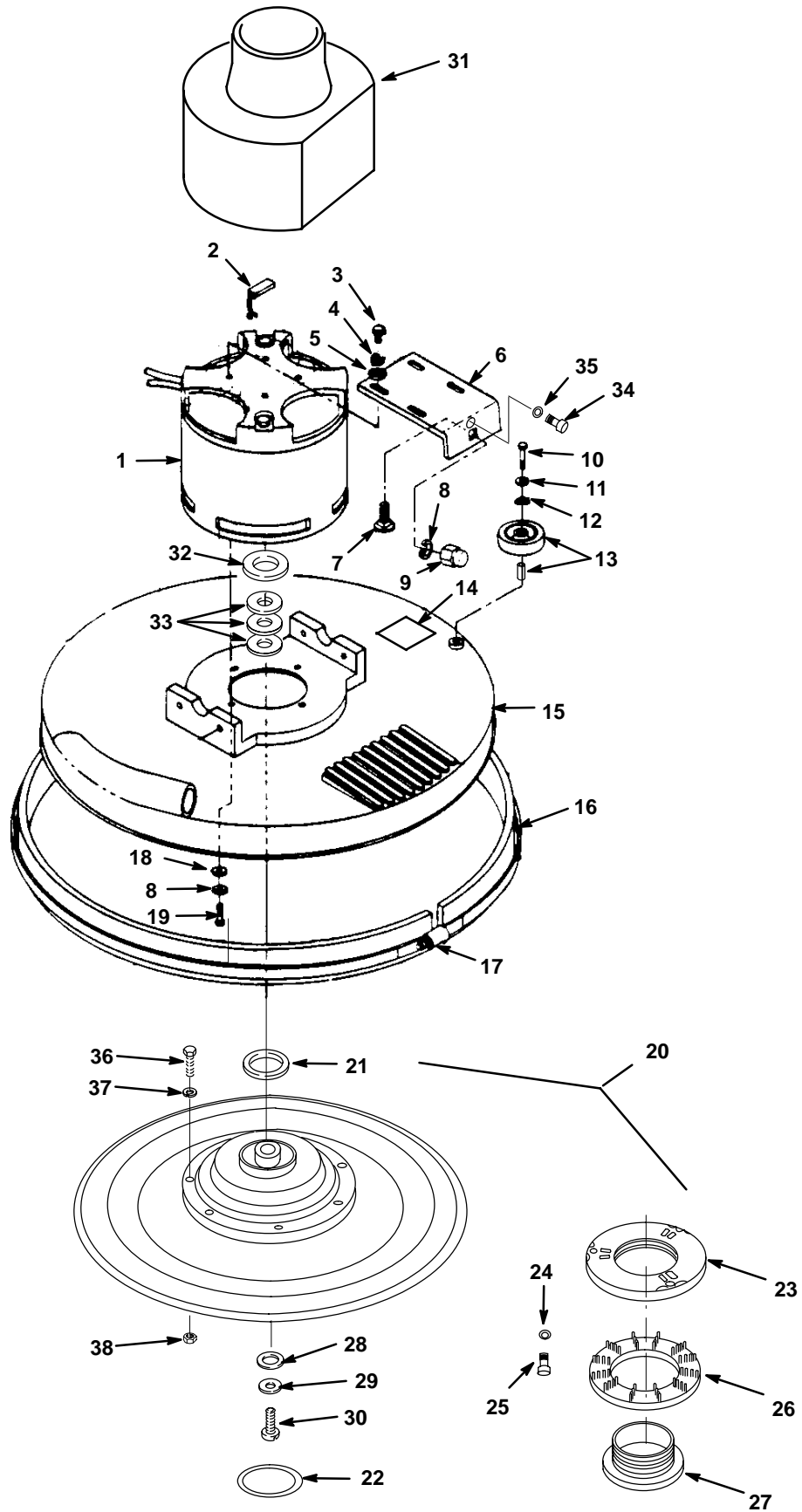
PAD SHROUD LINKAGE GROUP

| REF | PART # | DESCRIPTION | QTY. |
|-----|-----------|---------------------------------|------|
| 1 | 578421 | PIN, COTTER | 2 |
| 2 | 602009000 | PIN, HEADLESS | 1 |
| 3 | 602027000 | SCREW, 3/8-16 X 10 EYEBOLT | 1 |
| 4 | 621178000 | BRACKET, SPRING SUPP. | 1 |
| 5 | 630447 | WASHER, M12.7 NY | 22 |
| 6 | 200031494 | SCREW, M8 X 1.25 X 30 HEX | 2 |
| 7 | 621446 | SPRING, PRESSURE ADJ. | 1 |
| 8 | 579144 | WASHER, M10 FLAT | 2 |
| 9 | 602029000 | ●KNOB, ADJUSTING | 1 |
| 10 | 602046000 | SCREW, 10-24 X 3/8 SET, NYLON | 1 |
| 11 | 140515 | NUT, 3/8-16 NYLCK | 1 |
| 12 | 069767128 | SPRING, EXT. | 2 |
| 13 | 069767162 | NUT, 1/2-20 HEX | 1 |
| 14 | 069760091 | WASHER, .560 X 1.38 X .100 FLAT | 1 |
| 15 | 069767148 | PLATE, SPRING ADJ. | 1 |
| 16 | 200032496 | SCREW, M8 X 1.25 X 35 HXHDCP | 5 |
| 17 | 14880.5 | WASHER, 5/16 FLAT | 11 |
| 18 | 069760417 | SLEEVE, BEARING | 8 |
| 19 | 575524000 | WASHER, .39 X .62 X .26 NYLON | 2 |
| 20 | 069767012 | LINK, SUSPENSION | 4 |
| 21 | 579028 | NUT, M6 HXLCK | 2 |
| 22 | 200160017 | NUT, M8 LOCK | 10 |
| 23 | 14880.5 | WASHER, 5/16 FLAT | 4 |
| 24 | 069764631 | WASHER, M8.4 FLAT | 2 |
| 25 | 069767163 | SPACER, 1.0 X .75 | 4 |
| 26 | 200031494 | SCREW, M8 X 1.25 X 30 HEX | 2 |

| REF | PART # | DESCRIPTION | QTY. |
|-----|-----------|------------------------------|------|
| 27 | 140015 | WASHER, 5/16 LOCK | 4 |
| 28 | 602055000 | GROMMET | 4 |
| 29 | 602056000 | SPACER | 4 |
| 30 | 069767137 | BRACKET | 2 |
| 31 | 200031501 | SCREW, M8 X 1.25 X 50 HEX | 5 |
| 32 | 069767177 | SLEEVE, BEARING | 2 |
| 33 | 069767171 | MOUNTING, ROD END | 2 |
| 34 | 069767091 | ROD END | 2 |
| 35 | 621445 | MOTOR, 36 VDC, 3 HP | 1 |
| 35R | 621478 | ●BRUSHES, MOTOR | 4 |
| 36 | 200609438 | SCREW, M6 X 20 HXHDCP | 4 |
| 37 | 578728 | WASHER, M6 LOCK | 4 |
| 38 | 019680127 | WASHER, FLAT, WHEEL AXLE | 4 |
| 39 | 621177000 | CROSS ARM, HEAD LIFT | 1 |
| 40 | 069767158 | SCREW, 1/2-20 X 6 HXHDCP | 1 |
| 41 | 621207000 | SPACER | 1 |
| 42 | 069764002 | SCREW, #6-32 X 1 HXHDCP | 2 |
| 43 | 069764009 | SWITCH, SNAP, 25A | 1 |
| 44 | 069767056 | BRACKET, SWITCH | 1 |
| 45 | 140540 | NUT, #6-32 HEX | 2 |
| 46 | 069764054 | WASHER, #6 LOCK | 2 |
| 47 | 140026 | WASHER, #6 FLAT | 2 |
| 48 | 621186000 | BRACKET, HEAD STOP | 1 |
| 49 | 602079000 | SCREW, 3/8-16 X 5/8 CARRIAGE | 1 |
| 50 | 140017 | WASHER, 3/8 LOCK | 1 |
| 51 | 602080000 | NUT, 3/8-16 ACORN | 1 |

● RECOMMENDED STOCK ITEMS

PAD DRIVER GROUP



PAD DRIVER GROUP 1016426

| REF | PART # | DESCRIPTION | QTY. |
|--------|-----------|-------------------------------|------|
| 1 | 621445 | MOTOR, 36 VDC, 3 HP (120V) | 1 |
| 2 | 621478 | ●MOTOR BRUSH (SET/4) | 4 |
| 3 | 200609438 | SCREW, M6 X 20 HXHDCP | 4 |
| 4 | 578728 | WASHER, M6 LOCK | 4 |
| 5 | 019680127 | WASHER, FLAT, WHEEL AXLE | 4 |
| 6 | 621186000 | BRACKET, HEAD STOP | 1 |
| 7 | 602079000 | SCREW, 3/8-16 X 5/8 CARRIAGE | 1 |
| 8 | 140017 | WASHER, 3/8 LOCK | 5 |
| 9 | 602080000 | NUT, 3/8-16 ACORN | 1 |
| 10 | 603154 | SCREW, M8 X 1.25 X 40 PANPHL | 1 |
| 11 | 069760082 | WASHER, 1/4 FLAT | 1 |
| 12 | 602035000 | WASHER, M12 WAVE | 1 |
| 13 | 630450 | WHEEL, RUBBER | 1 |
| 14 | 578769 | DECAL, MOVING PARTS | 1 |
| 15 | 069767020 | HEAD, DRIVE BLOCK | 1 |
| 621475 | 621474 | ●ASSEMBLY, SKIRT | 1 |
| 17 | 602044000 | ●FASTENER, ADJUSTING BAND | 1 |
| | 069767094 | KIT, BAND REPLACEMENT | 1 |
| | 630613 | SKID STRIP, 1.69M (NOT SHOWN) | 1 |
| 18 | 140013 | WASHER, 3/8 FLAT | 4 |

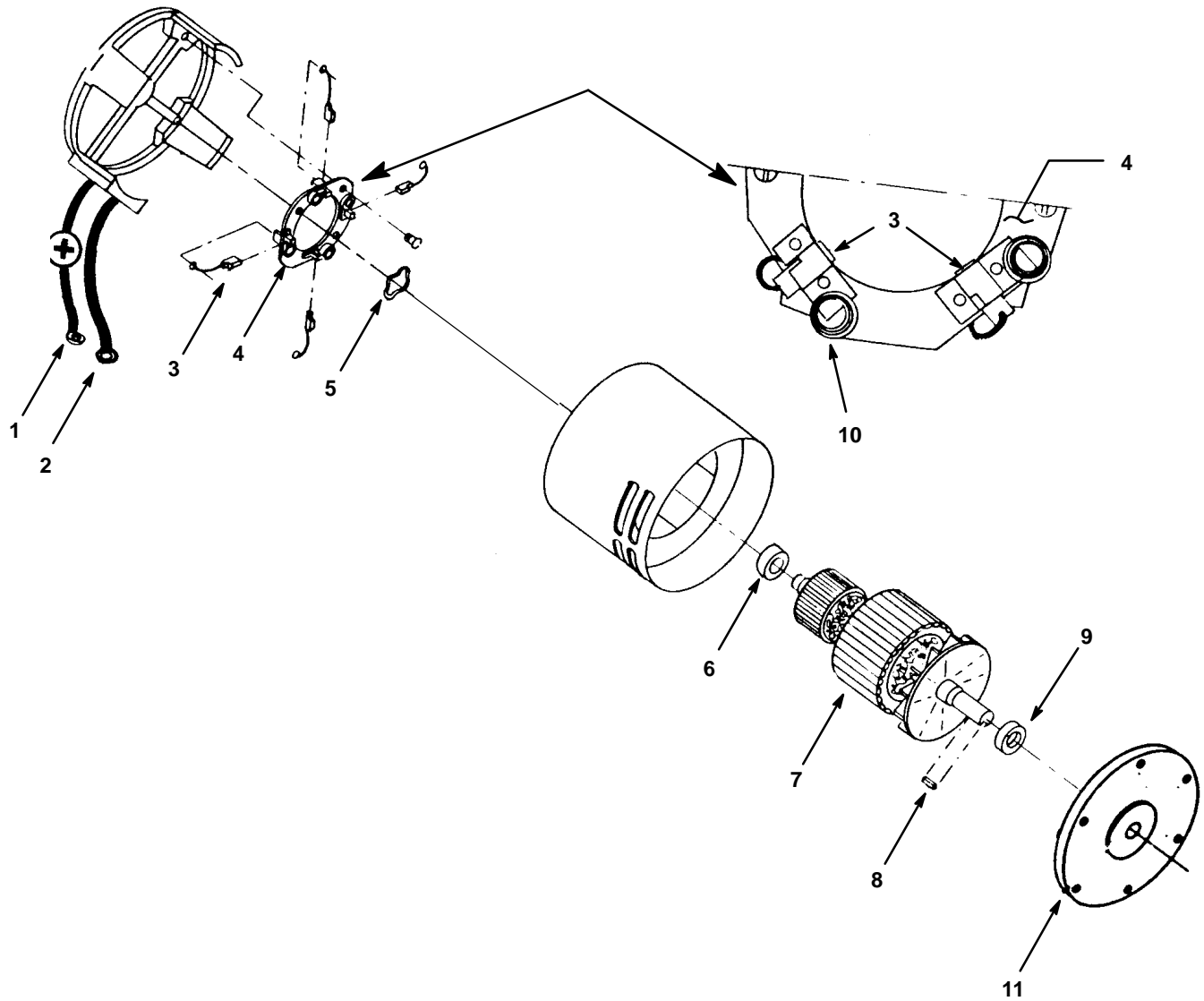
| REF | PART # | DESCRIPTION | QTY. |
|------|-----------|-------------------------------|------|
| 19 | 140201 | SCREW, 3/8-16 X .75 HEX HD | 4 |
| ▽ 20 | 621340000 | ASM., DRIVER, FLEXIBLE DISC | 1 |
| ▲ 21 | 069764512 | RING, WATER CONTAINMENT | 1 |
| ▲ 22 | 572061000 | O-RING, DRIVE BLOCK HUB | 1 |
| ▲ 23 | 621326000 | CENTERLOCK, STATIONARY | 1 |
| ▲ 24 | 069760097 | WASHER, #8 FLAT | 3 |
| ▲ 25 | 186002062 | SCREW, #8-32 X 3/8, SLOTTED | 3 |
| ▲ 26 | 572084000 | RING, PAD LOCK | 1 |
| ▲ 27 | 621327000 | CENTERLOCK, REMOVEABLE | 1 |
| 28 | 069764631 | WASHER, M8.4 FLAT | 1 |
| 29 | 41186 | WASHER, BELLEVILLE | 1 |
| 30 | 140203 | SCREW, 5/16-24 X 1-1/4 HXHDCP | 1 |
| 31 | 611753 | COVER, MOTOR | 1 |
| 32 | 231059 | WASHER, .786 X 1.5 X .3 | 1 |
| 33 | 621471 | SPACER, .75 X 1.12 | 3 |
| 34 | 200070432 | SCREW, STOP | 1 |
| 35 | 140016 | WASHER, 1/4 LOCK | 1 |
| ▲ 36 | 069762115 | SCREW, 1/4-20 X 1/2 HXHDCP | 8 |
| ▲ 37 | 140016 | WASHER, 1/4 LOCK | 8 |
| ▲ 38 | 572083000 | NUT, 1/4-20 WELD | 8 |

▽ ASSEMBLY

▲ INCLUDED IN ASSEMBLY

● RECOMMENDED STOCK ITEMS

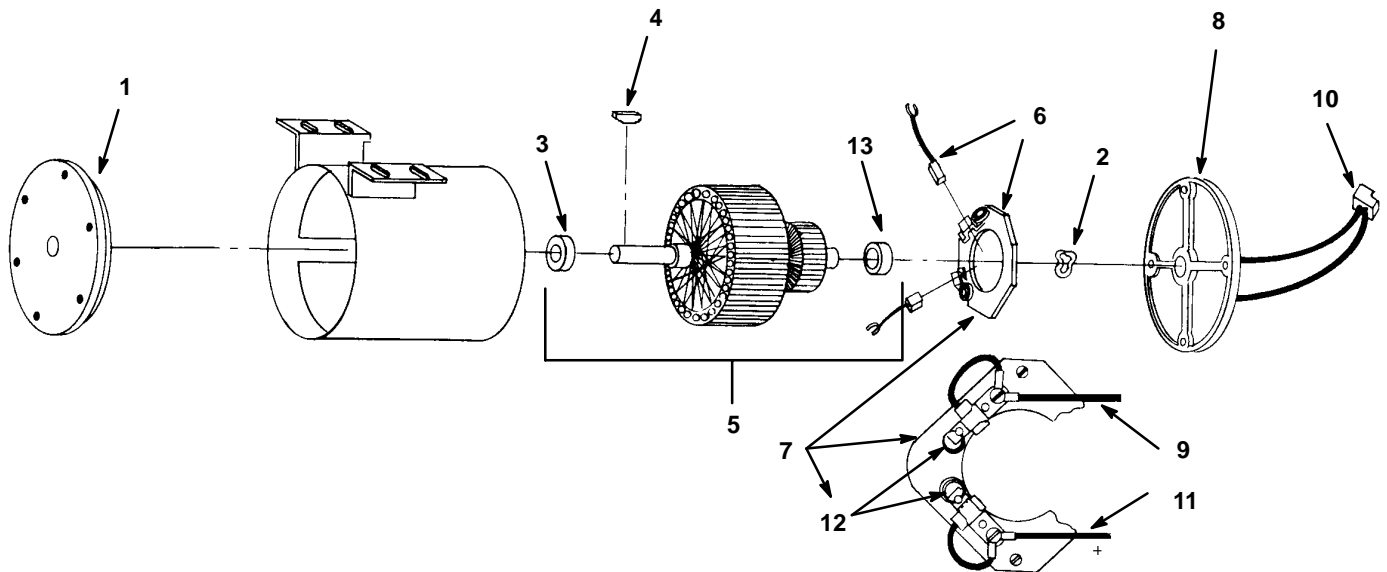
PAD MOTOR BREAKDOWN



| REF | PART # | DESCRIPTION | QTY. |
|-----|-----------|----------------------------|------|
| | 621445 | MOTOR, 36V, 3HP (COMPLETE) | 1 |
| 1 | 621362000 | ASM., LEAD (POSITIVE) | 1 |
| 2 | 621362000 | ASM., LEAD (NEGATIVE) | 1 |
| 3 | 621478 | ASM., BRUSH (SET OF 4) | 4 |
| 4 | 621300000 | ASM., BRUSH BOARD | 1 |
| 5 | 602087000 | WASHER, HELICAL | 1 |

| REF | PART # | DESCRIPTION | QTY. |
|-----|-----------|--------------------------|------|
| 6 | 602088000 | BEARING | 1 |
| 7 | 190313 | ASM., ARMATURE | 1 |
| 8 | 602010000 | KEY, SHAFT | 1 |
| 9 | 140124 | BEARING | 1 |
| 10 | 602131000 | SPRING, BRUSH (SET OF 4) | 4 |
| 11 | 603329 | BRACKET, B.E. | 1 |

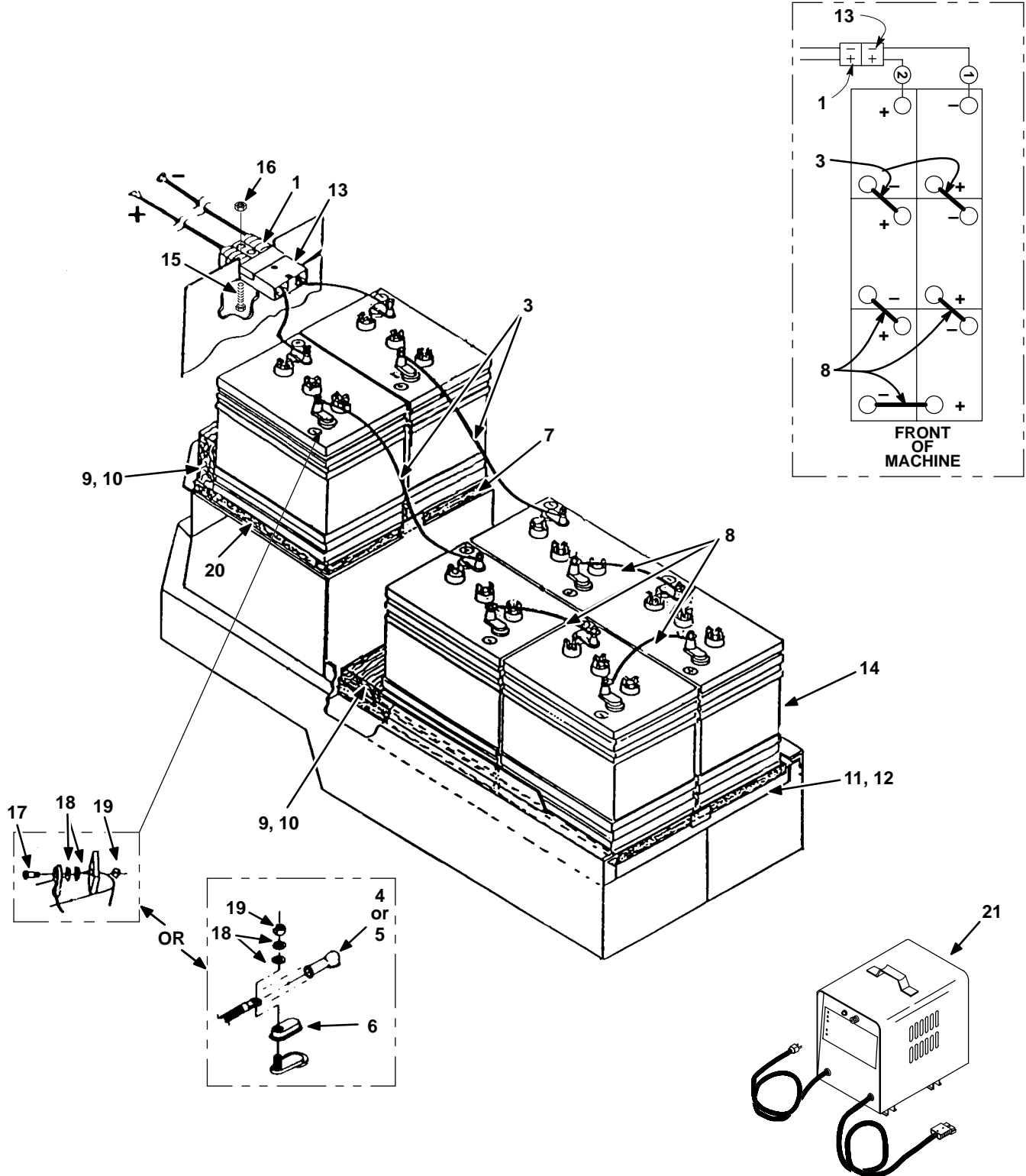
DRIVE MOTOR BREAKDOWN



| REF | PART # | DESCRIPTION | QTY. |
|-----|-----------|--------------------------|------|
| | 069767010 | MOTOR, .15 HP (COMPLETE) | 1 |
| 1 | 602086000 | BRACKET, B.E. | 1 |
| 2 | 602087000 | WASHER, HELICAL | 1 |
| 3 | 602088000 | BEARING | 1 |
| 4 | 069764176 | KEY, WOODRUFF | 1 |
| 5 | 602090000 | ARMATURE | 1 |
| 6 | 602130000 | ASM., BRUSH | 2 |

| REF | PART # | DESCRIPTION | QTY. |
|-----|-----------|--------------------------|------|
| 7 | 602091000 | ASM., BRUSH BOARD | 1 |
| 8 | 602092000 | BRACKET, COMMUTATOR | 1 |
| 9 | 602093000 | ASM., LEAD (NEGATIVE) | 1 |
| 10 | 630456 | CONNECTOR, HOUSING | 1 |
| 11 | 602095000 | ASM., LEAD, (POSITIVE) | 1 |
| 12 | 602131000 | SPRING, BRUSH (SET OF 2) | 2 |
| 13 | 602088000 | BEARING | 1 |

BATTERY GROUP



BATTERY GROUP

| REF | PART # | DESCRIPTION | QTY. |
|------|-----------|---------------------------|------|
| 1 | 069767101 | WIRE HARNESS, BATTERY | 1 |
| ∇ 2 | 469767951 | KIT, BATTERY CABLES | 1 |
| ▲ 3 | 611117000 | CABLE, BATTERY, 457MM | 2 |
| ▲ 4 | 611222 | BOOT, RED | 6 |
| ▲ 5 | 611221 | BOOT, BLACK | 6 |
| ▲ 6 | 45962 | COVER, TERMINAL | 12 |
| 7 | 069767088 | BATTERY TRAY, UPPER | 1 |
| ▲ 8 | 611116000 | CABLE, BATTERY, 305MM | 3 |
| 9 | 630375 | INSERT, BATTERY | 2 |
| 10 | 602032000 | INSERT, BATTERY (BR-2500) | 2 |
| 11 | 602146000 | PLATE, BATTERY SUPPORT | 1 |
| 12 | 069767089 | BATTERY TRAY, LOWER | 1 |
| ▲ 13 | 602015000 | BATTERY CABLE ASSY. | 1 |

∇ ASSEMBLY

▲ INCLUDED IN ASSEMBLY

| REF | PART # | DESCRIPTION | QTY. |
|------|-----------|---|------|
| 14 | 069764222 | BATTERY, 6V. 235 AMP (BR-2250) | 6 |
| | 606991 | BATTERY, 6V. 305 AMP (BR-2500) | 6 |
| | 602240 | BATTERY, 6V. 350 AMP (BR-2500) REQUIRES 602004, 36A CHARGER | 6 |
| 15 | 200031444 | SCREW, M6 X 1.0 X 30 HXHDCP | 2 |
| 16 | 579028 | NUT, M6 HXLCK | 2 |
| ▲ 17 | 140219 | SCREW, 5/16-18 X 1 HXHDCP | 12 |
| ▲ 18 | 140027 | WASHER, 5/16 FLAT | 24 |
| ▲ 19 | 140546 | NUT, 5/16-18 NYLK | 12 |
| 20 | 621052000 | PLATE, BATTERY | 1 |
| 21 | 469764962 | CHARGER, BATTERY, 36V/25A DC, 120V/15A AC (FOR 235 & 305 AMP BATTERIES) | 1 |
| | 602004 | CHARGER, BATTERY, 36V/36A DC, 120V/15A AC (FOR 305 & 350 AMP BATTERIES) | 1 |