



<b>DESCRIPTION</b>	<b>PAGE</b>
Motor top,	2
Container and handle	4
Trolley	6
Nozzles, tubes and hoses	8
Filter and dustbags	10
Wiring diagram	12

**WHEN ORDERING PARTS**

- \* Use the digit numbers from the "Part. No." columns in this parts list.
- \* Specify the serial number of the machine.
- \* Use the space below to record the model and serial number for future reference.

Model \_\_\_\_\_ Serial no. \_\_\_\_\_

Model \_\_\_\_\_ Serial no. \_\_\_\_\_

823 0078 000

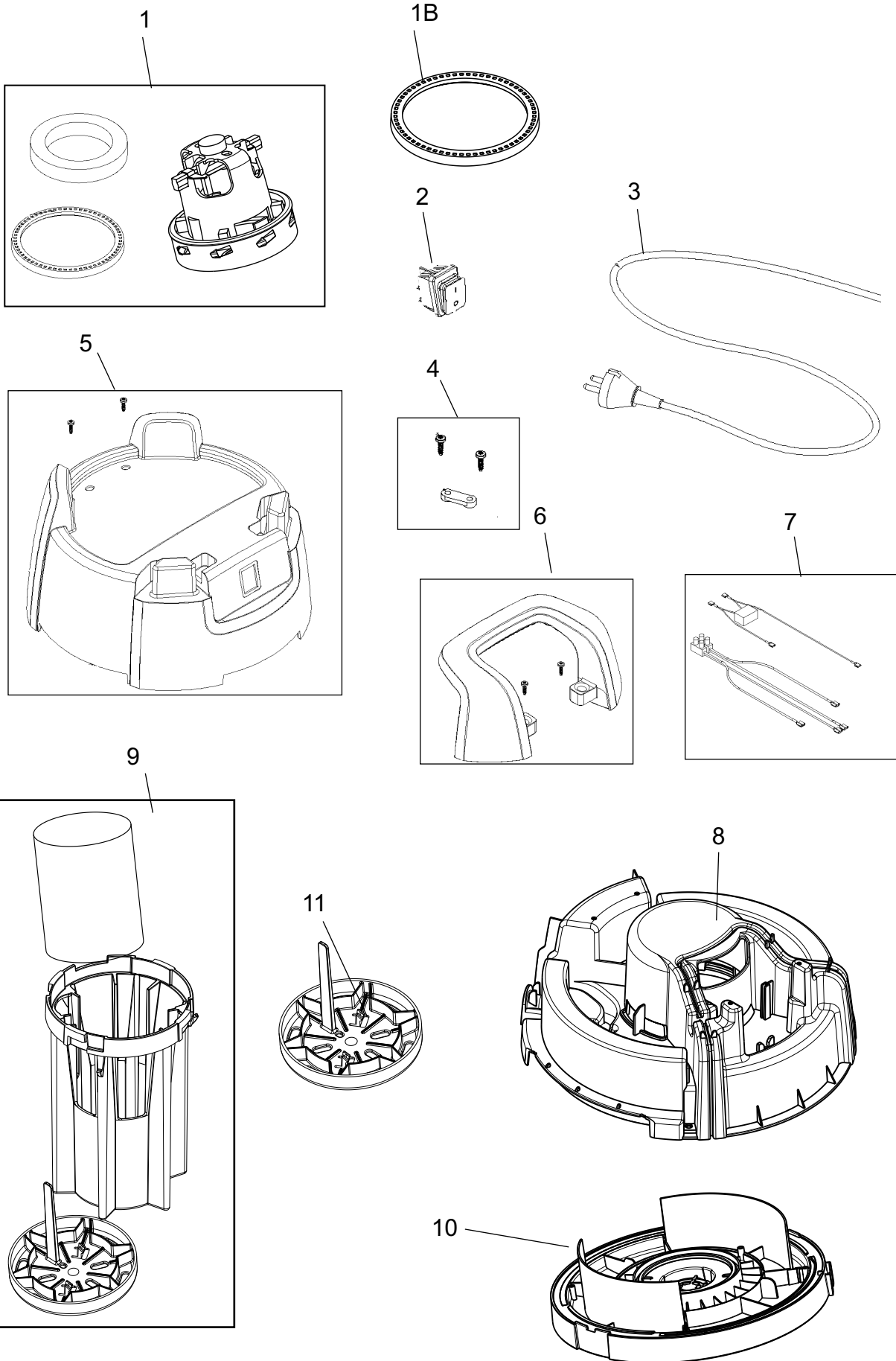
MOTOR TOP

06-10

2

AWD 315, AWD 320

07-07



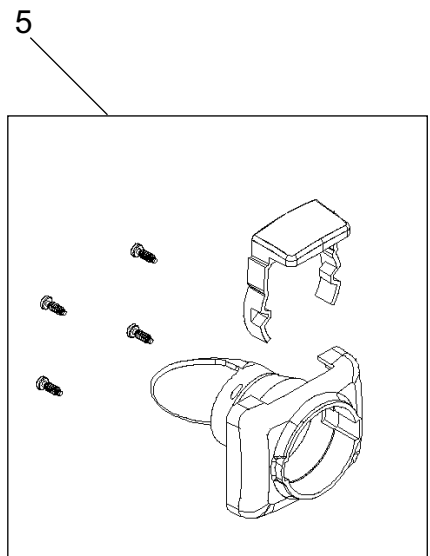
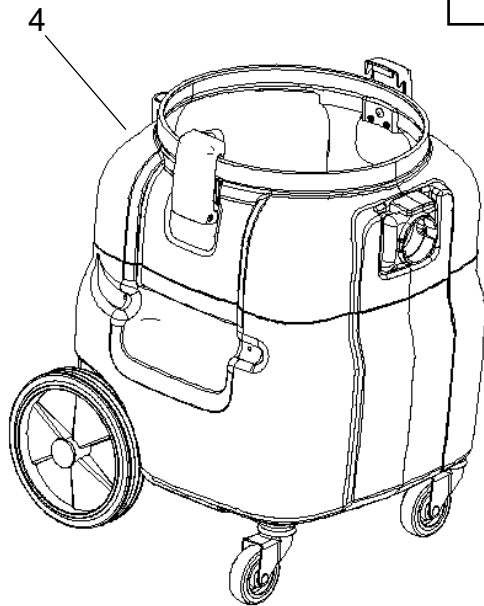
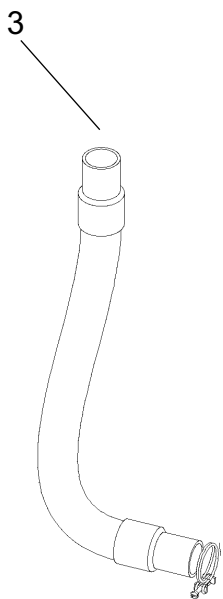
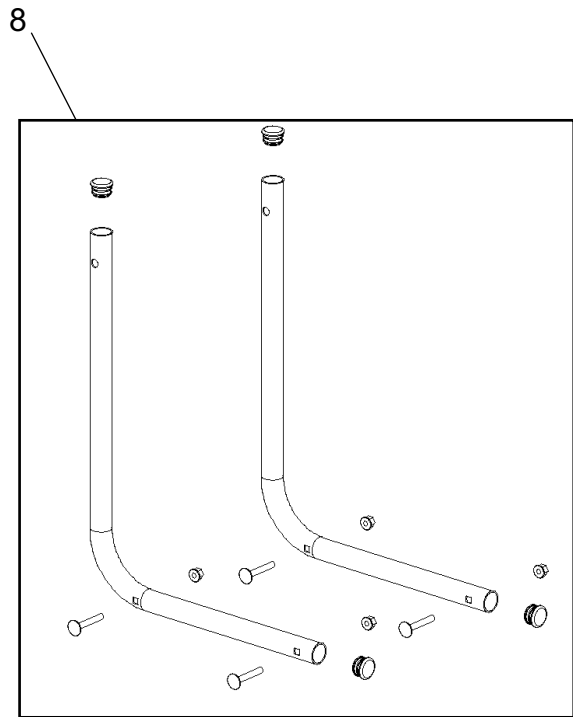
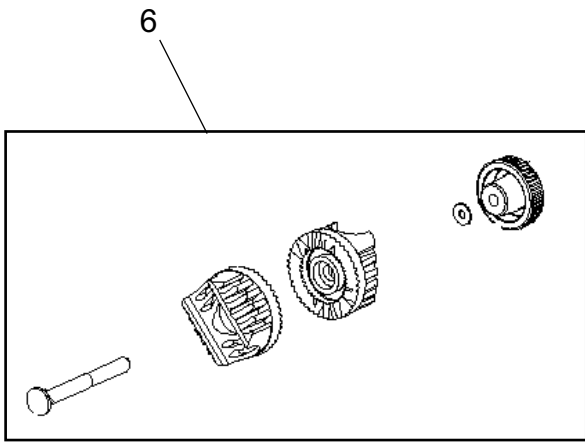
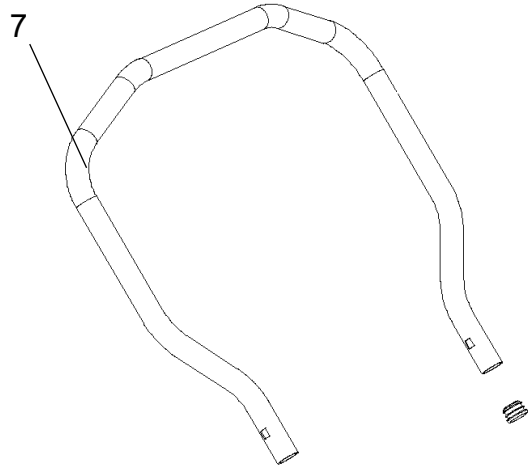
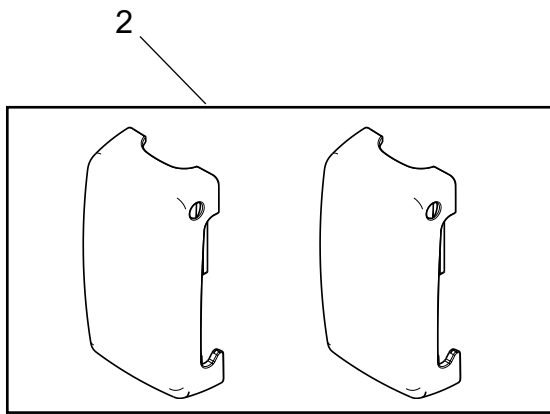
<b>06-10</b>	<b>MOTOR TOP</b>	<b>823 0078 000</b>	
<b>07-07</b>	<b>AWD 315, AWD 320</b>		<b>3</b>

<b>Item.No.</b>	<b>Part No.</b>	<b>Qty.</b>	<b>Description</b>	<b>Note</b>
1	140 8689 510	1	Fan unit By-pass 100-120V	Gaskets included
1B	>>140 8684 000	1	Gasket fan unit	
2	140 9537 500	2	Switch two pole	
3	147 0716 500	1	Cord set grounded 50 feet (15,5 meter)	
4	140 6560 500	1	Anti strain clip	Screws included
5	140 8652 520	1	Cover outer, UL-approved	Screws included
6	140 8650 500	1	Handle N-A	Screws included
7	140 7620 510	1	Internal wires, UL-approved	
8	140 8653 510	1	Cover fan unit, UL-approved	
9	>>140 8680 500	1	Float basket	Valve and adapter included
10	140 8664 520	1	Chassis, UL-approved	
11	>> 147 1119 500	1	Adapter for float basket	Wear protection for sack filter

>>Means: New or changed ref. number or/and changed/new specifications.

4

AWD 315, AWD 320



<b>04-11</b>	<b>CONTAINER AND HANDLE</b>	<b>823 0078 000</b>		
	<b>AWD 315, AWD 320</b>			<b>5</b>

<b>Item.No.</b>	<b>Part No.</b>	<b>Qty.</b>	<b>Description</b>	<b>Note</b>
2	140 8691 500	2	Latches	Screws included
3	140 7604 510	1	Drain hose	
4	140 9554 500	1	Container 12 Gallon	F. AWD 315 Complete container with wheels
4	147 0713 500	1	Container 16 Gallon	F AWD 320 Complete container with wheels
5	140 7204 500	1	Inlet	Screws and trigger included
6	147 0744 500	2	Handle adjustments devices	Ratchets, screws and washers included
7	140 9560 500	1	Handle upper part	End plugs included
8	140 9559 500	2	Handle lower parts	Left and right part. Screws and nuts and end plugs included

823 0078 000

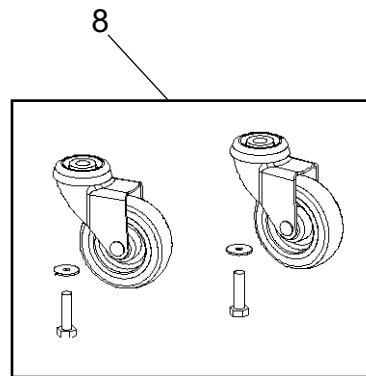
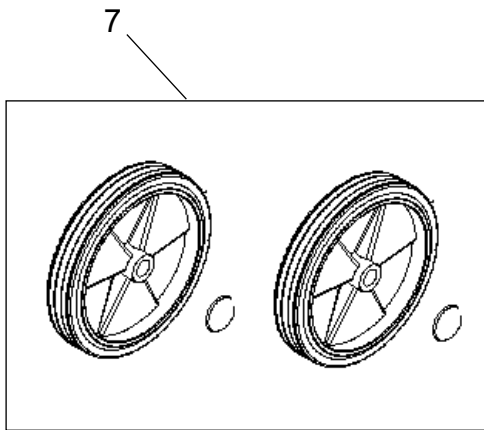
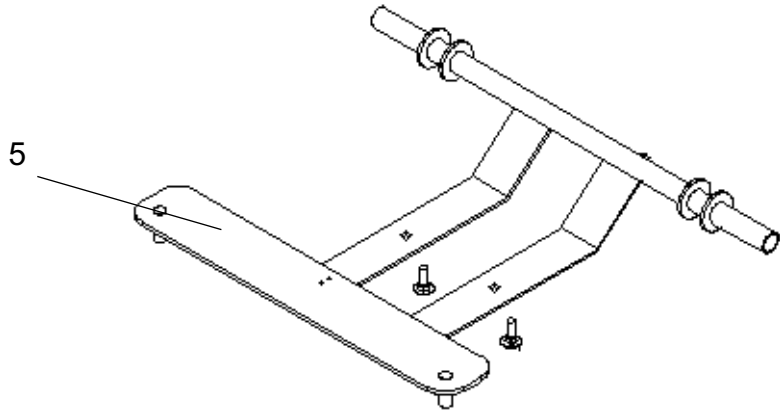
TROLLEYS

04-11

6

AWD 315, AWD 320

05-04



<b>04-11</b>	<b>TROLLEY</b>	<b>823 0078 000</b>		
<b>05-04</b>	<b>AWD 315, AWD 320</b>			<b>7</b>

<b>Item.No.</b>	<b>Part No.</b>	<b>Qty.</b>	<b>Description</b>	<b>Note</b>
5	140 9553 500	1	Bracket plate for trolley	Screws and nuts included
7	140 9543 500	2	Wheel Ø 8.0 in (200 mm)	
8	140 5476 520	2	Castor wheels	Screws and washers included

823 0078 000

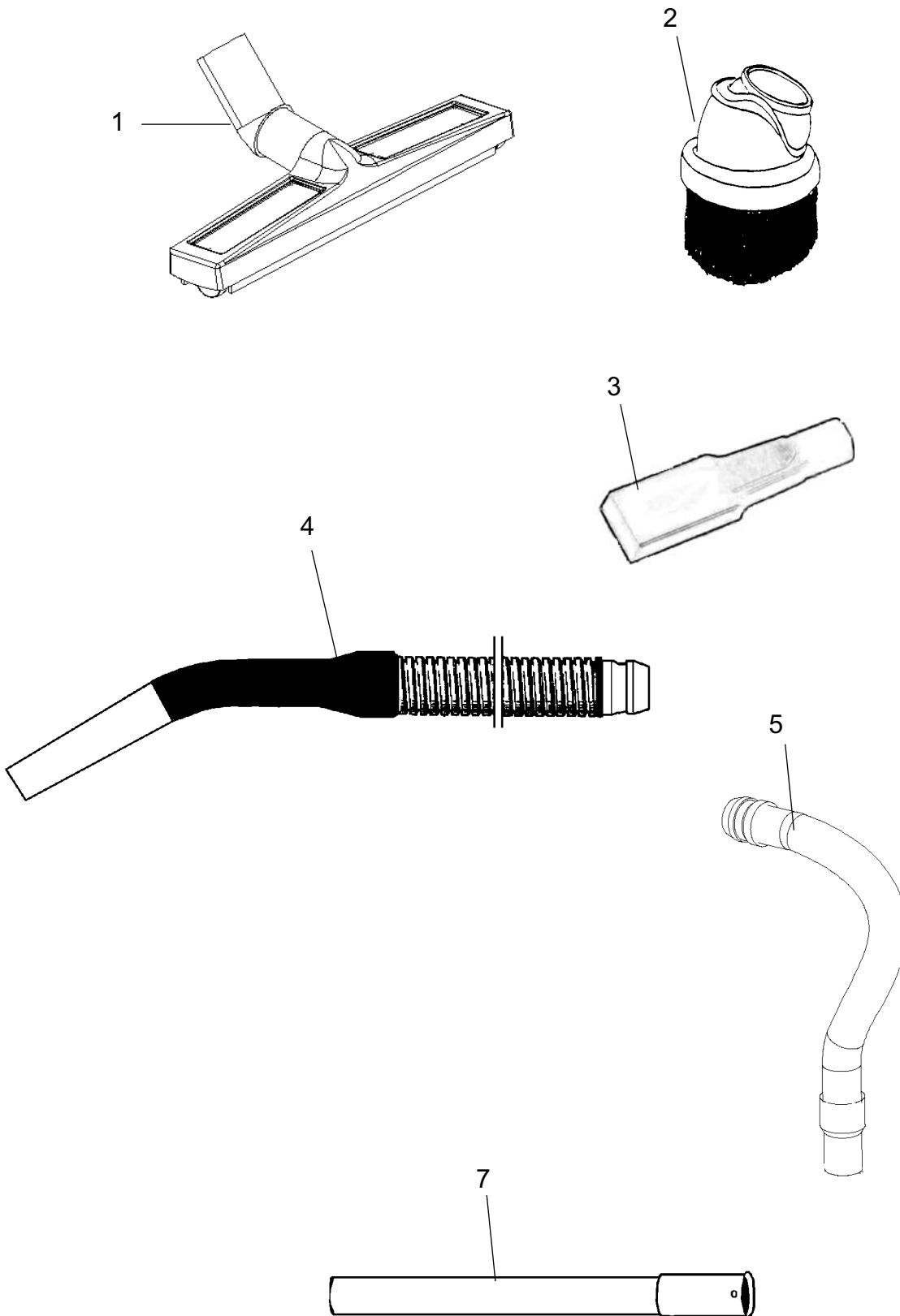
NOZZLES AND HOSE

05-01

8

AWD 315, AWD 320

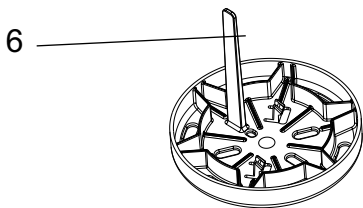
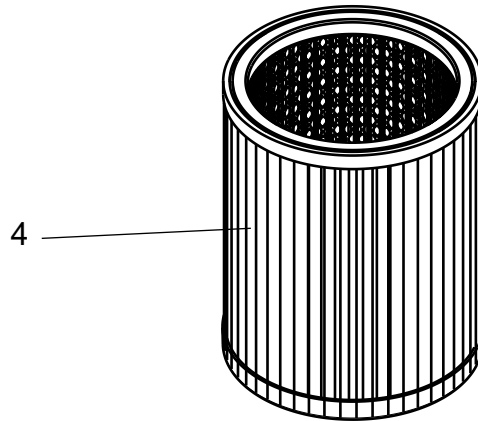
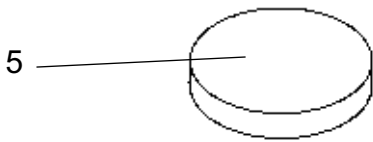
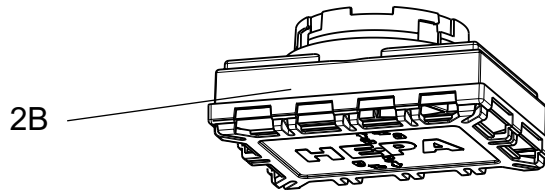
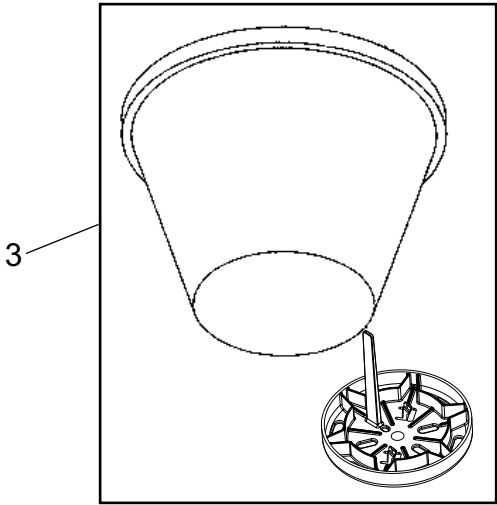
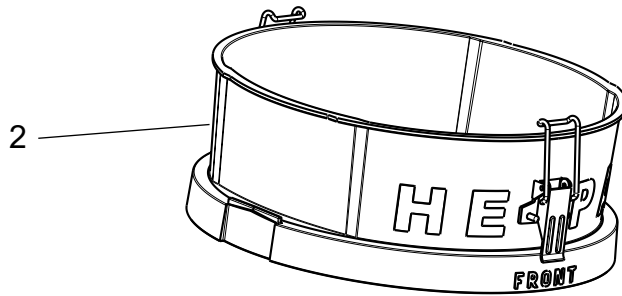
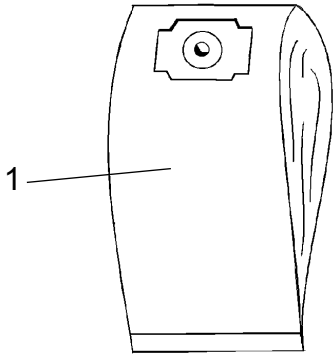
04-11





<b>05-01</b>	<b>NOZZLES AND HOSES</b>	<b>823 0078 000</b>		
<b>04-11</b>	<b>AWD 315, AWD 320</b>			<b>9</b>

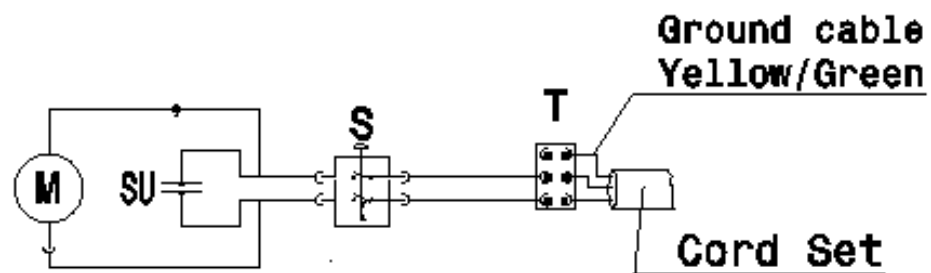
<b>Item.No.</b>	<b>Part No.</b>	<b>Qty.</b>	<b>Description</b>	<b>Note</b>
1	140 7629 000	1	Wet nozzle Ø 1.50 in	Rubber strip
1	140 7629 010	1	Dry nozzle, Ø 1.50 in	Brush strip
2	010 7031 000	1	Brush nozzle	Optional
3	140 8258 000	1	Crevice nozzle Ø 1.50 in	Optional
4	140 4001 010	1	Hose complete with handle	Mat.: Plastic hose Ø 1.50 in Snap in coupling
5	140 2148 500	1	Hose, Ø 1.50 in 1 1/2 ", 500mm	Hose for front nozzle
7	011 6451 010	1	Extension tube Aluminium	Ø 1.50 in L= 19.68 in (500 mm)



<b>05-01</b>	<b>FILTER AND DUST BAGS</b>	<b>823 0078 000</b>		
<b>06-10</b>	<b>AWD 315, AWD 320</b>			<b>11</b>

<b>Item.No.</b>	<b>Part No.</b>	<b>Qty.</b>	<b>Description</b>	<b>Note</b>
1	147 0746 010	3	Dust bags	3-pcs.
2	147 0766 500	1	HEPA-Protection Ring	For all models
2B	140 8678 500	1	Filter HEPA	For all models
3	>>140 8658 500	1	Filter basket	With adapter for float basket
4	140 8686 500	1	Filter cartridge	For all models
5	140 8682 500	1	Filter motor	For all models
6	>>147 1119 500	1	Adapter for float basket	Wear protection for the filter basket

>>Means: New or changed ref. number or/and changed/new specifications.



- M** Fan Unit  
**S** Switch  
**SU** Suppressor Unit  
**T** Terminal Block