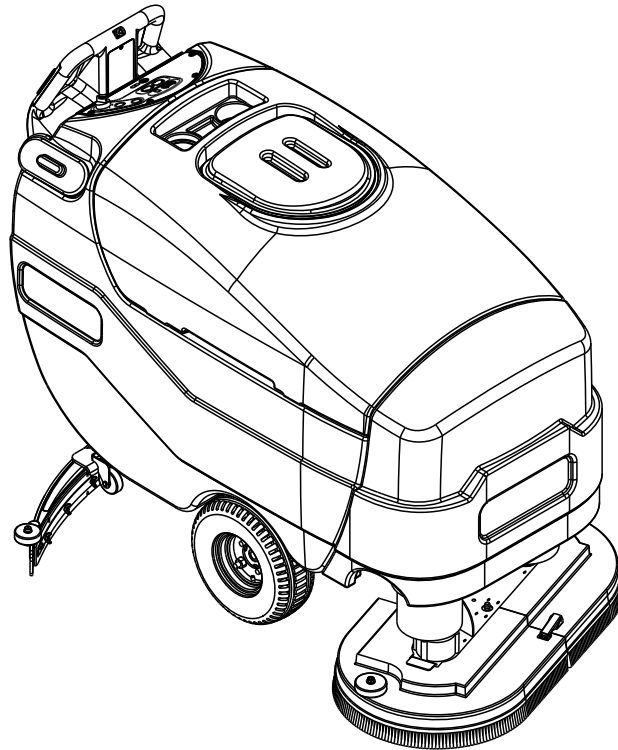


34 RST, 34 RST EcoFlex™



Instructions for Use

Instrucciones de uso

**Advance Models: 56315900 (34D), 56315901 (34D-C)
56315902 (34D-C Strainer), 56315903 (34D-C Battery Water Kit)
56381029 (X34D), 56381031 (X34D-C)**



Advance

A-English
B-Español

1/10 Form No. 56041987

TABLE OF CONTENTS

	Page
Introduction.....	A-3
Parts and Service.....	A-3
Nameplate.....	A-3
Unpacking the Machine.....	A-3
Cautions and Warnings.....	A-4
Consignes de prudence et de sécurité.....	A-5
Know Your Machine.....	A-6 – A-7
Control Panel – EcoFlex™.....	A-8
Control Panel – Standard.....	A-9
Preparing the Machine for Use	
Batteries.....	A-10
Installing the Brushes.....	A-11
Filling the Solution Tank.....	A-13
Squeegee Installation.....	A-13
Detergent System (EcoFlex™).....	A-14 – A-15
Operating the Machine	
Wet Scrubbing.....	A-16 – A-17
After Using the Machine.....	A-18
Maintenance Schedule.....	A-18
Servicing the Vacuum Motor.....	A-18
Lubricating the Machine.....	A-18
Maintenance	
Charging the Batteries (Wet).....	A-19
Charging the Batteries (Gel).....	A-19
Servicing the Squeegee.....	A-20
Adjusting the Squeegee.....	A-20
Servicing the Recovery Tank Switch.....	A-21
Troubleshooting	
Circuit Breakers Tripping.....	A-22
Poor Water Pickup.....	A-22
Squeegee Streaks.....	A-22
Swirl Marks.....	A-22
No Solution Flow.....	A-22
No Detergent Flow (EcoFlex™).....	A-22
Technical Specifications.....	A-23

INTRODUCTION

This manual will help you get the most from your **Advance™** automatic scrubber/dryer. Read it thoroughly before operating the machine.

Note: Bold numbers in parentheses indicate an item illustrated on pages A-6 – A-7 unless otherwise noted.

This product is intended for commercial use only.

PARTS AND SERVICE

Repairs, when required, should be performed by your Authorized Advance Service Center, who employs factory trained service personnel, and maintains an inventory of Advance original replacement parts and accessories.

Call Advance for repair parts or service. Please specify the Model and Serial Number when discussing your machine.

(Dealer, affix service sticker here.)

NAMEPLATE

The Model and Serial Number of your machine are shown on the Nameplate in the battery compartment. This information is needed when ordering repair parts for the machine. Use the space below to note the Model and Serial Number of your machine for future reference.

Model _____

Serial Number _____

UNPACKING THE MACHINE

When the machine is delivered, carefully inspect the shipping packaging and the machine for damage. If damage is evident, save the shipping carton (if applicable) so that it can be inspected. Contact the Advance Customer Service Department immediately to file a freight damage claim. Refer to the unpacking instruction sheet included with the machine to remove the machine from the pallet.

WARNING!

The Products sold with this Manual contain or may contain chemicals that are known to certain governments (such as the State of California, as identified in its Proposition 65 Regulatory Warning Law) to cause cancer, birth defects or other reproductive harm. In certain locations (including the State of California) purchasers of these Products that place them in service at an employment job site or a publicly accessible space are required by regulation to make certain notices, warnings or disclosures regarding the chemicals that are or may be contained in the Products at or about such work sites. It is the purchaser's responsibility to know the content of, and to comply with, any laws and regulations relating to the use of these Products in such environments. The Manufacturer disclaims any responsibility to advise purchasers of any specific requirements that may be applicable to the use of the Products in such environments.

CAUTIONS AND WARNINGS

SYMBOLS

Advance uses the symbols below to signal potentially dangerous conditions. Read this information carefully and take the necessary steps to protect personnel and property.

DANGER!

Is used to warn of immediate hazards that will cause severe personal injury or death.

WARNING!

Is used to call attention to a situation that could cause severe personal injury.

CAUTION!

Is used to call attention to a situation that could cause minor personal injury or damage to the machine or other property.



Read all instructions before using.

GENERAL SAFETY INSTRUCTIONS

Specific Cautions and Warnings are included to warn you of potential danger of machine damage or bodily harm.

WARNING!

- * This machine should only be used by properly trained and authorized persons.
- * While on ramps or inclines, avoid sudden stops when loaded. Avoid abrupt sharp turns. Use low speed down hills. Clean only while ascending (driving up) the ramp.
- * Keep sparks, flame and smoking materials away from batteries. Explosive gases are vented during normal operation.
- * Charging the batteries produces highly explosive hydrogen gas. Charge batteries only in well-ventilated areas, away from open flame. Do not smoke while charging the batteries.
- * Remove all jewelry when working near electrical components.
- * Turn the key switch off (O) and disconnect the batteries before servicing electrical components.
- * Never work under a machine without safety blocks or stands to support the machine.
- * Do not dispense flammable cleaning agents, operate the machine on or near these agents, or operate in areas where flammable liquids exist.
- * Do not clean this machine with a pressure washer.
- * Do not operate this machine on ramps or inclines of more than a 2 percent gradient.
- * Only use the brushes provided with the appliance or those specified in the instruction manual. The use of other brushes may impair safety.

CAUTION!

- * This machine is not approved for use on public paths or roads.
- * This machine is not suitable for picking up hazardous dust.
- * Use care when using scarifier discs and grinding stones. Advance will not be held responsible for any damage to floor surfaces caused by scarifiers or grinding stones.
- * When operating this machine, ensure that third parties, particularly children, are not endangered.
- * Before performing any service function, carefully read all instructions pertaining to that function.
- * Do not leave the machine unattended without first turning the key switch off (O), removing the key and securing the machine.
- * Turn the key switch off (O) and remove the key, before changing the brushes, and before opening any access panels.
- * Take precautions to prevent hair, jewelry, or loose clothing from becoming caught in moving parts.
- * Use caution when moving this machine in below freezing temperature conditions. Any water in the solution, recovery or detergent tanks or in the hose lines could freeze, causing damage to valves and fittings. Flush with windshield washer fluid.
- * The batteries must be removed from the machine before the machine is scrapped. The disposal of the batteries should be safely done in accordance with your local environmental regulations.
- * Do not use on surfaces having a gradient exceeding that marked on the machine.
- * All doors and covers are to be positioned as indicated in the instruction manual before using the machine.
- * Refer to the battery charger OEM product manual for additional specific battery charger warnings.

SAVE THESE INSTRUCTIONS

CONSIGNES DE PRUDENCE ET DE SECURITE

SYMBOLES

Les symboles reproduits ci-dessous sont utilisés par Advance pour attirer l'attention de l'opérateur sur des situations potentiellement dangereuses. Il est donc conseillé de lire attentivement ces indications et de prendre les mesures adéquates en vue de protéger le personnel et le matériel.

DANGER!

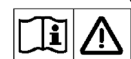
Ce symbole est utilisé pour mettre l'opérateur en garde contre les risques immédiats pouvant provoquer des dommages corporels graves, voire entraîner la mort.

ATTENTION!

Ce symbole est utilisé pour attirer l'attention sur une situation susceptible d'entraîner des dommages corporels graves.

PRUDENCE!

Ce symbole est utilisé pour attirer l'attention de l'opérateur sur une situation qui pourrait entraîner des dommages corporels minimes, ou des dommages à la machine ou à d'autres équipements.



Lire toutes les instructions avant d'utiliser l'appareil.

CONSIGNES GENERALES DE SECURITE

Les consignes spécifiques de prudence et de sécurité mentionnées ici ont pour but de vous informer de la survenance de tout risque de dommages matériels ou corporels.

ATTENTION!

- * Cette machine ne pourra être utilisée que par du personnel parfaitement entraîné et dûment autorisé.
- * Evitez les arrêts subits lorsque la machine est chargée et se trouve sur des rampes ou des plans inclinés. Evitez les virages serrés. Adoptez une vitesse réduite lorsque la machine est en descente. Ne nettoyez que lorsque la machine monte la pente.
- * Eloignez les batteries de toutes flammes, étincelles ou substance fumigène. Les gaz explosifs sont ventilés pendant le fonctionnement normal.
- * De plus, du gaz hydrogène explosif s'échappe des batteries lorsqu'elles sont en charge. Ne procédez au chargement des batteries que dans une zone bien ventilée, loin de toute flamme. Ne fumez pas à proximité des batteries lorsqu'elles sont en charge.
- * Otez tous vos bijoux lorsque vous travaillez à proximité de composants électriques.
- * Positionnez la clé de contact sur off (O) et déconnectez les batteries avant de procéder à l'entretien des composants électriques.
- * Ne travaillez jamais sous une machine sans y avoir placé, au préalable, des blocs de sécurité ou des étais destinés à soutenir la machine
- * Ne déversez pas d'agents nettoyants inflammables, ne faites pas fonctionner la machine à proximité de ces agents ou d'autres liquides inflammables.
- * Ne nettoyez pas cette machine avec un nettoyeur à pression.
- * Ne faites pas fonctionner la machine sur des rampes ou pentes de plus de 2 pour cent.
- * Utilisez uniquement les brosses fournies avec l'appareil ou celles spécifiées dans le manuel d'instructions. L'utilisation d'autres brosses peut mettre la sécurité en péril.

PRUDENCE!

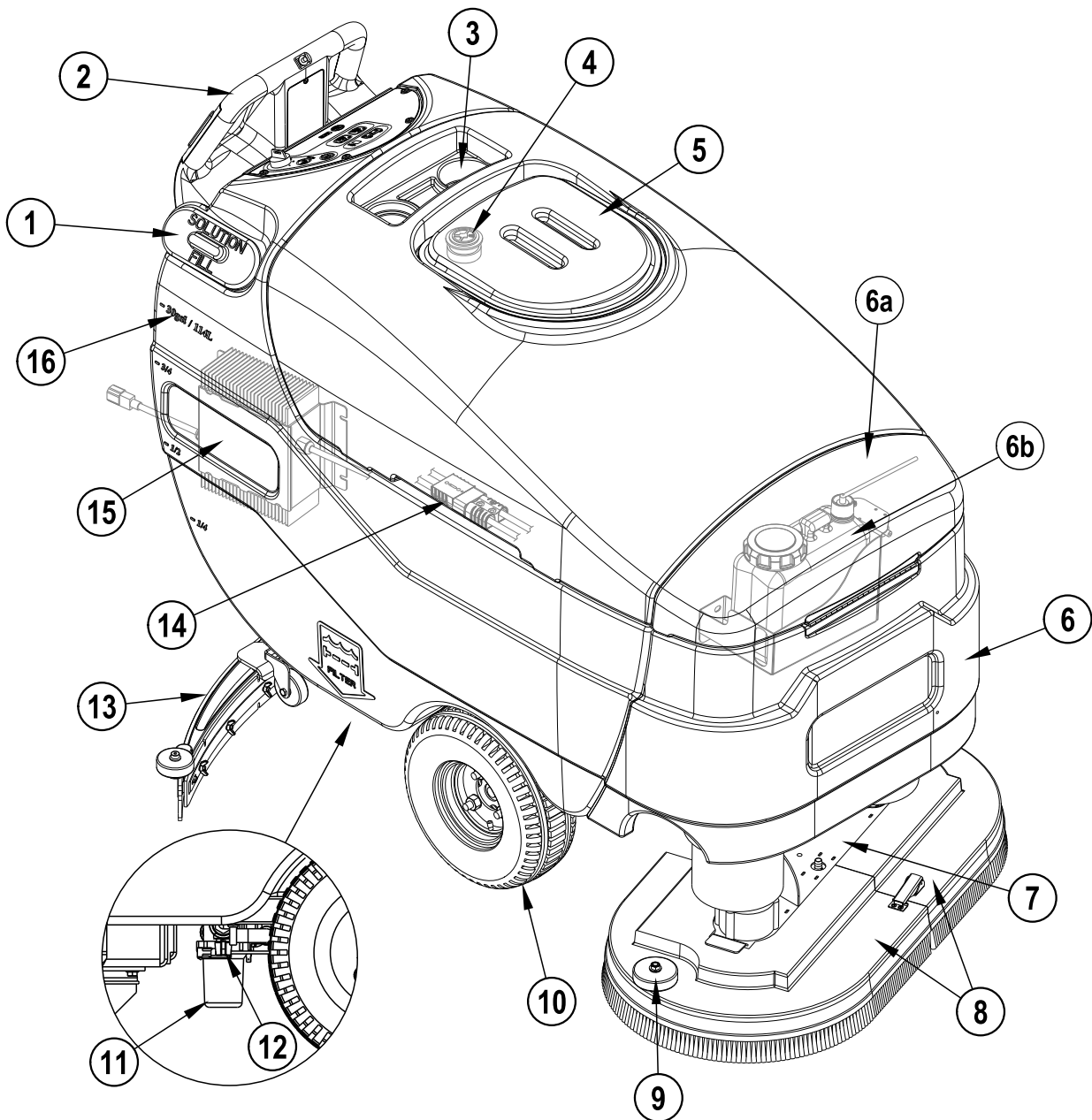
- * Cette machine n'est pas conçue pour une utilisation sur les chemins ou voies publiques.
- * Cette machine n'est pas conçue pour le ramassage des poussières dangereuses.
- * Faites extrêmement attention lorsque vous utilisez des disques de scarificateur et des meules. Advance ne pourra, en aucun cas, être tenu pour responsable des dommages occasionnés à vos sols par ce type d'équipement.
- * Lors de l'utilisation de cette machine, assurez-vous que des tiers, et notamment des enfants, ne courent pas le moindre risque.
- * Avant de procéder à toute opération d'entretien, veuillez lire attentivement toutes les instructions qui s'y rapportent.
- * Ne laissez pas la machine sans surveillance sans avoir, au préalable, coupé le contact, enlevé la clé de contact (O) et tiré le frein à main.
- * Positionnez la clé de contact sur off (O) avant de remplacer les brosses ou d'ouvrir tout panneau d'accès.
- * Prenez toutes les mesures nécessaires pour éviter que les cheveux, les bijoux ou les vêtements amples ne soient entraînés dans les parties mobiles de la machine.
- * Faites attention lorsque vous déplacez cette machine dans un endroit où la température peut descendre sous 0°. L'eau contenue dans les réservoirs de détergent, de récupération ou de solution ou dans les conduites risquerait de geler et par là même d'endommager les valves et raccords de la machine. Rincez avec un liquide de lave-glace.
- * Prenez soin d'enlever les batteries de la machine avant de mettre cette dernière au rebut. Pour ce qui est de l'élimination des batteries, conformez-vous aux réglementations locales en matière d'environnement.
- * N'utilisez pas sur des surfaces dont la pente dépasse celle mentionnée sur la machine.
- * Toutes les portes et couvercles doivent être dans la position mentionnée dans le manuel d'instruction avant de mettre la machine en service.
- * Consultez le manuel du fabricant du chargeur de batterie pour plus de consignes de sécurité spécifiques sur le chargeur de batterie.

CONSERVEZ SOIGNEUSEMENT CES INSTRUCTIONS

KNOW YOUR MACHINE

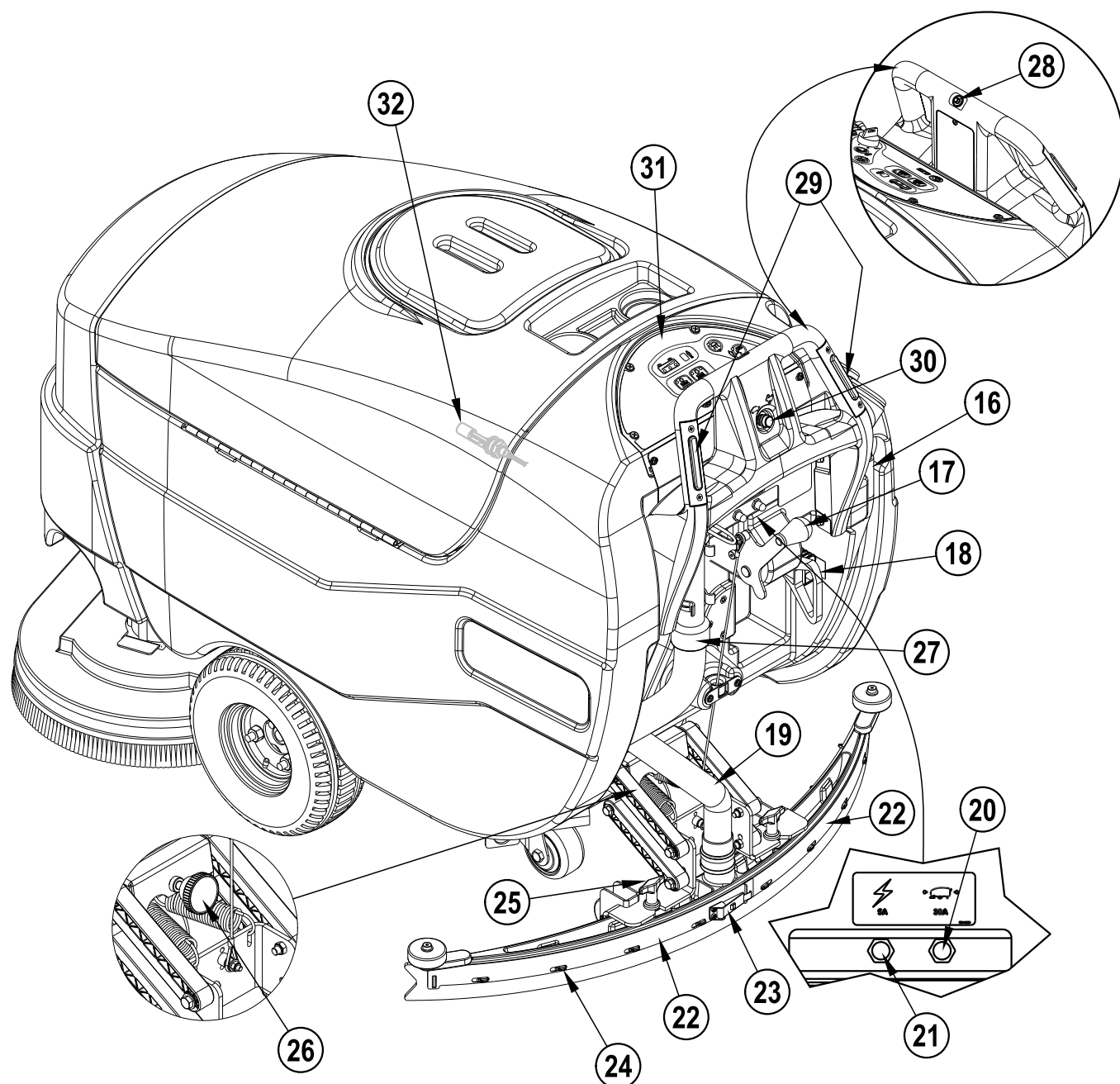
As you read this manual, you will occasionally run across a bold number or letter in parentheses - example: **(2)**. These numbers refer to an item shown on these pages unless otherwise noted. Refer back to these pages whenever necessary to pinpoint the location of an item mentioned in the text. **NOTE:** Refer to the service manual for detailed explanations of each item illustrated on the next 3 pages.

- | | | | |
|----|---|----|---|
| 1 | Solution Tank Fill | 8 | Brush Housings (includes Bristle Skirt) |
| 2 | Operator Control Handle | 9 | Scrub Deck Bumper Wheel |
| 3 | Bottle Holders | 10 | Drive Wheel |
| 4 | Vacuum Motor Inlet Screen | 11 | Solution Filter |
| 5 | Recovery Tank Cover | 12 | Solution Shut-Off Valve |
| 6 | Nose Cone | 13 | Squeegee Assembly |
| 6a | Detergent Cartridge Access Cover (EcoFlex models only) | 14 | Battery Pack Connector (onboard charger models only) |
| 6b | Detergent Cartridge (EcoFlex models only) | 15 | Onboard Battery Charger (Not found on all models) |
| 7 | Scrub Deck | | |



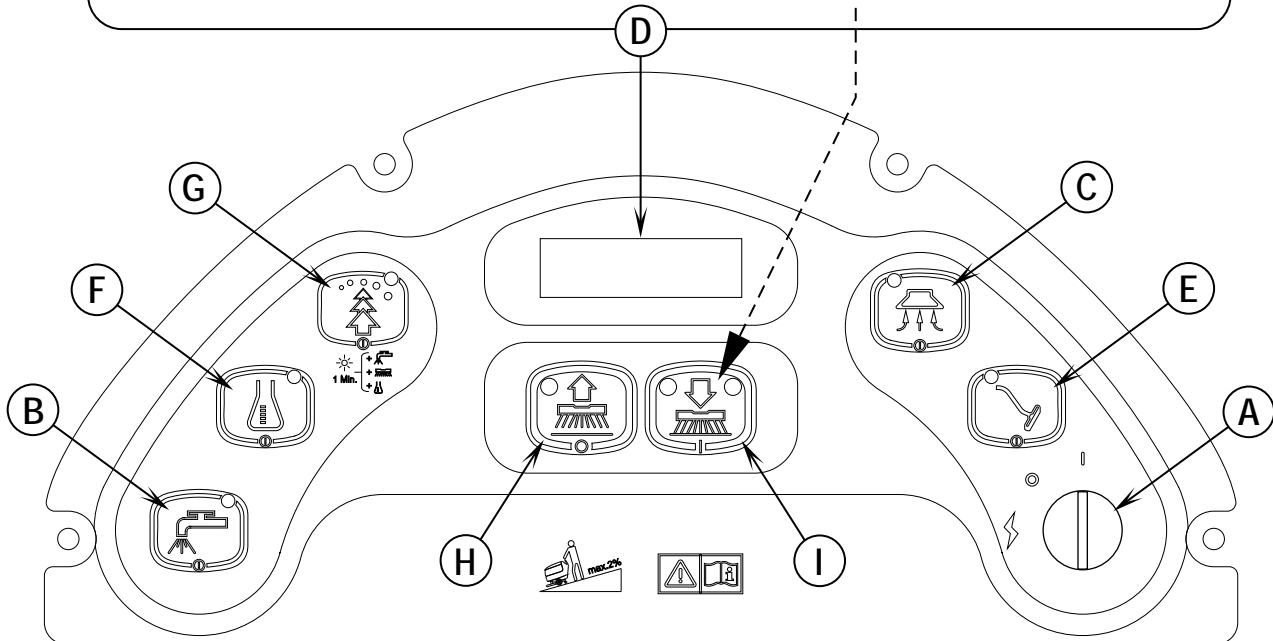
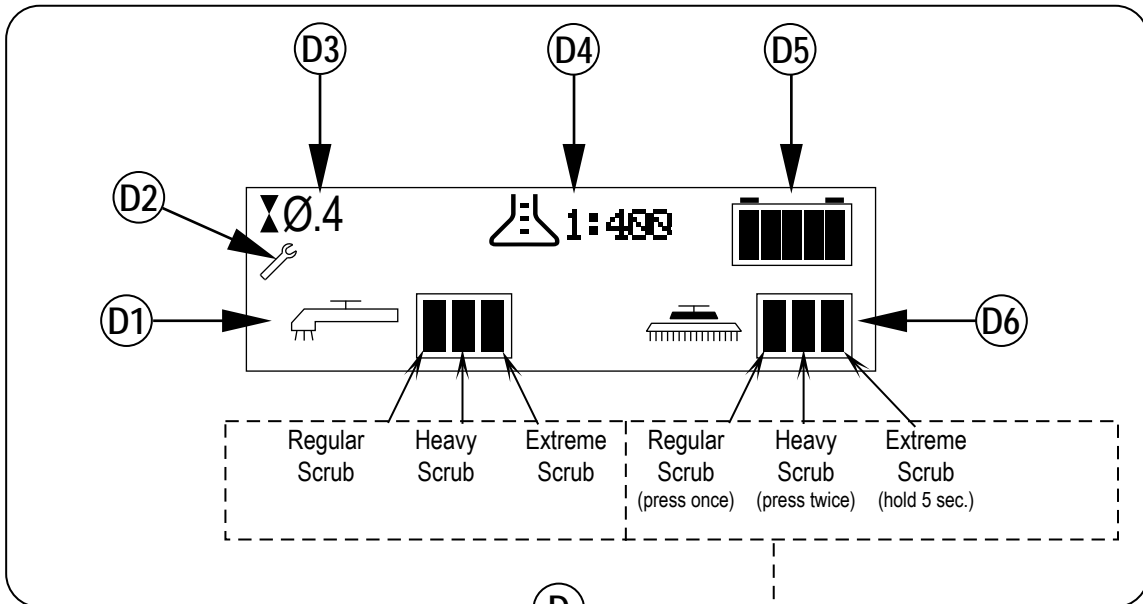
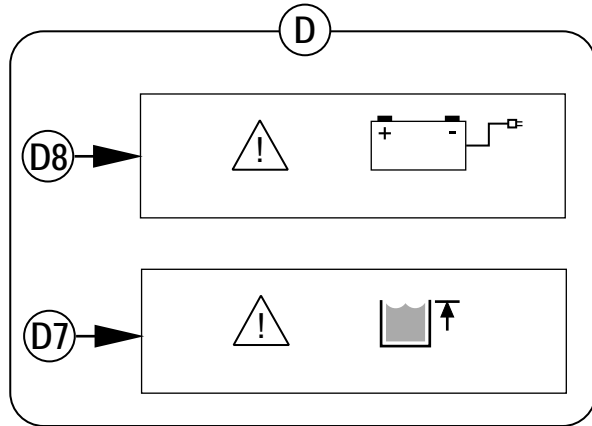
KNOW YOUR MACHINE

- | | | | |
|----|--|----|--------------------------|
| 16 | Solution Drain Hose / Level Indicator | 25 | Squeegee Mount Thumb Nut |
| 17 | Squeegee Raise / Lower Lever | 26 | Squeegee Adjustment Knob |
| 18 | Battery Pack Connector (non onboard charger models only) | 27 | Recovery Tank Drain Hose |
| 19 | Recovery Hose | 28 | Reverse Button |
| 20 | Wheel Drive Circuit Breaker | 29 | Palm Drive Buttons |
| 21 | Control Circuit Circuit Breaker | 30 | Speed Limit Control Knob |
| 22 | Squeegee Blade Tension Strap | 31 | Control Panel |
| 23 | Squeegee Blade Latch | 32 | Vacuum Shut Off Switch |
| 24 | Squeegee Blade Alignment Pins | | |



CONTROL PANEL – ECOFLEX

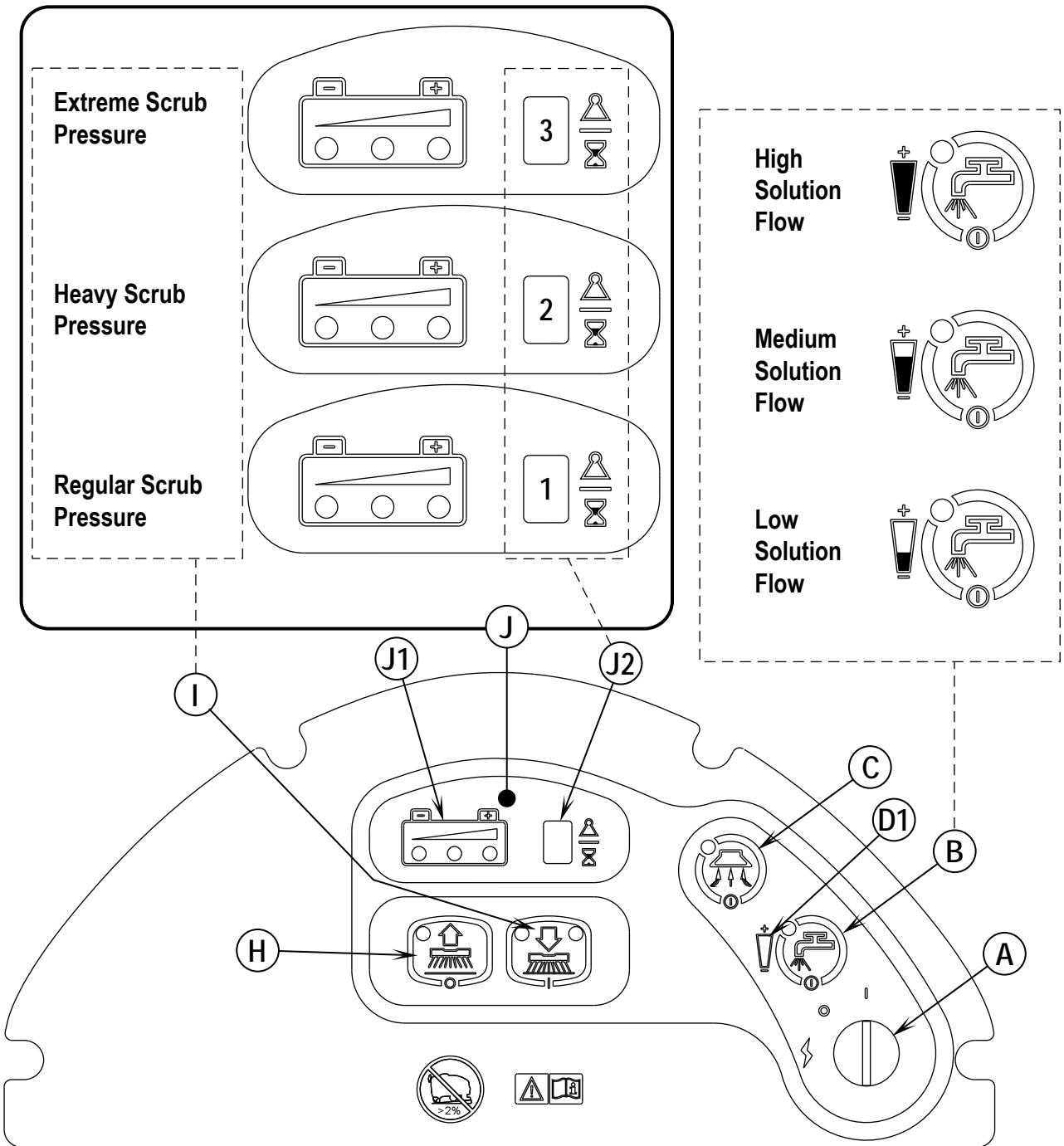
- A Key Switch (Main Power)
- B Solution Switch
- C Vacuum Switch
- D Display Panel
- D1 Solution Flow Indicator
- D2 Fault Indicator
- D3 Hour Meter
- D4 Detergent Indicator
- D5 Battery Indicator
- D6 Scrub Pressure Indicator
- D7 Recovery Tank FULL Indicator
- D8 Battery Low Indicator
- E Wand Switch (Dealer Installed Option)
- F Detergent System (EcoFlex models only)
- G EcoFlex Switch
- H Scrub OFF
- I Scrub ON



CONTROL PANEL

- A Key Switch (Main Power)
- B Solution Switch
- C Vacuum Switch
- D1 Solution Flow Indicator
- H Scrub OFF

- I Scrub ON
- J Display
- J1 Battery Indicator
- J2 Hour Meter / Scrub Pressure Indicator / Fault Code Display / Recovery Tank FULL Indicator



BATTERIES

If your machine shipped with batteries installed do the following:

- Check that the batteries are connected to the machine (14 or 18).
- Turn ON the Key Switch (A) and check the Battery Indicator (G1). If the green light is ON, the batteries are ready for use. If the green light is OFF, the batteries should be charged before use. See the "Charging The Batteries" section.
- **IMPORTANT!** IF YOUR MACHINE HAS AN ONBOARD BATTERY CHARGER REFER TO THE OEM PRODUCT MANUAL FOR INSTRUCTIONS REGARDING SETTING THE CHARGER FOR BATTERY TYPE.

See TSBUS2008-984 for the latest battery charger algorithms.

If your machine shipped without batteries installed do the following:

- Consult your Authorized Advance dealer for recommended batteries.
- Install the batteries by following the instructions below.
- **DO NOT** install three 12 volt batteries in your machine. This affects the stability of the machine.
- **IMPORTANT!** IF YOUR MACHINE HAS AN ONBOARD BATTERY CHARGER REFER TO THE OEM PRODUCT MANUAL FOR INSTRUCTIONS REGARDING SETTING THE CHARGER FOR BATTERY TYPE.

See TSBUS2008-984 for the latest battery charger algorithms.

WARNING!

Use extreme caution when working with batteries. Sulfuric acid in batteries can cause severe injury if allowed to contact the skin or eyes. Explosive hydrogen gas is vented from the batteries through openings in the battery caps. This gas can be ignited by any electrical arc, spark or flame. Do not install any lead-acid battery in a sealed container or enclosure. Hydrogen gas from overcharging must be allowed to escape.

When Servicing Batteries...

- * Remove all jewelry
- * Do not smoke
- * Wear safety glasses, rubber gloves and a rubber apron
- * Work in a well-ventilated area
- * Do not allow tools to touch more than one battery terminal at a time
- * ALWAYS disconnect the negative (ground) cable first when replacing batteries to prevent sparks.
- * ALWAYS connect the negative cable last when installing batteries.

CAUTION!



Electrical components in this machine can be severely damaged if the batteries are not installed and connected properly. Advance, a qualified electrician, or the battery manufacturer should install batteries.

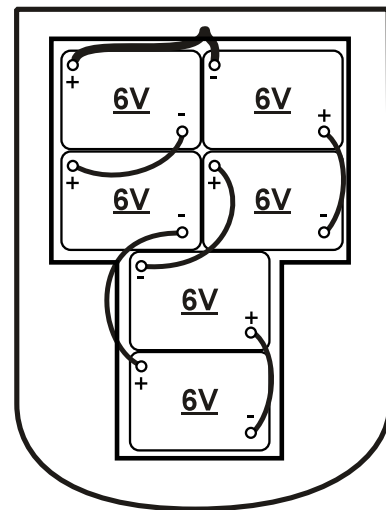
- 1 Remove the batteries from their shipping crate and carefully inspect them for cracks or other damage. If damage is evident, contact the carrier that delivered them or the battery manufacturer to file a damage claim.
- 2 Turn the Master Key Switch (A) OFF and remove the key.
- 3 Tip the recovery tank to the side, locked position. Remove the battery cables from inside the battery compartment.
- 4 Your machine comes from the factory with enough battery cables to install six 6 volt batteries. Carefully lift the batteries into the battery compartment and arrange them exactly as shown in **FIGURE 1**. Secure the batteries as close to the back of the machine as possible.
- 5 Install the battery cables as shown. Position the cables so the battery caps can be easily removed for battery service.
- 6 Carefully tighten the nut in each battery terminal until the terminal will not turn. Do not over-tighten the terminals, or they will be very difficult to remove for future service.
- 7 Coat the terminals with spray-on battery terminal coating (available at most auto parts stores).
- 8 Put one of the black rubber boots over each of the terminals and connect the Battery Pack Connector (14 or 18).

CAUTION !

Before changing batteries, consult TSBUS2008-984 or call Technical Service at USA: 800-989-2235 / Canada: 800-668-8400 / Mexico: +52 (55)2591 1002 ext.228

FIGURE 1

305 AH @ 20 HR RATE
(6)  MAX  267KG/588LB



CAUTION: Before changing batteries, consult TSBUS2008-984 or call Technical Service at USA: 800-989-2235 / Canada: 800-668-8400 / Mexico: +52(55) 2591 1002 ext.228

INSTALLING THE BRUSHES



CAUTION!

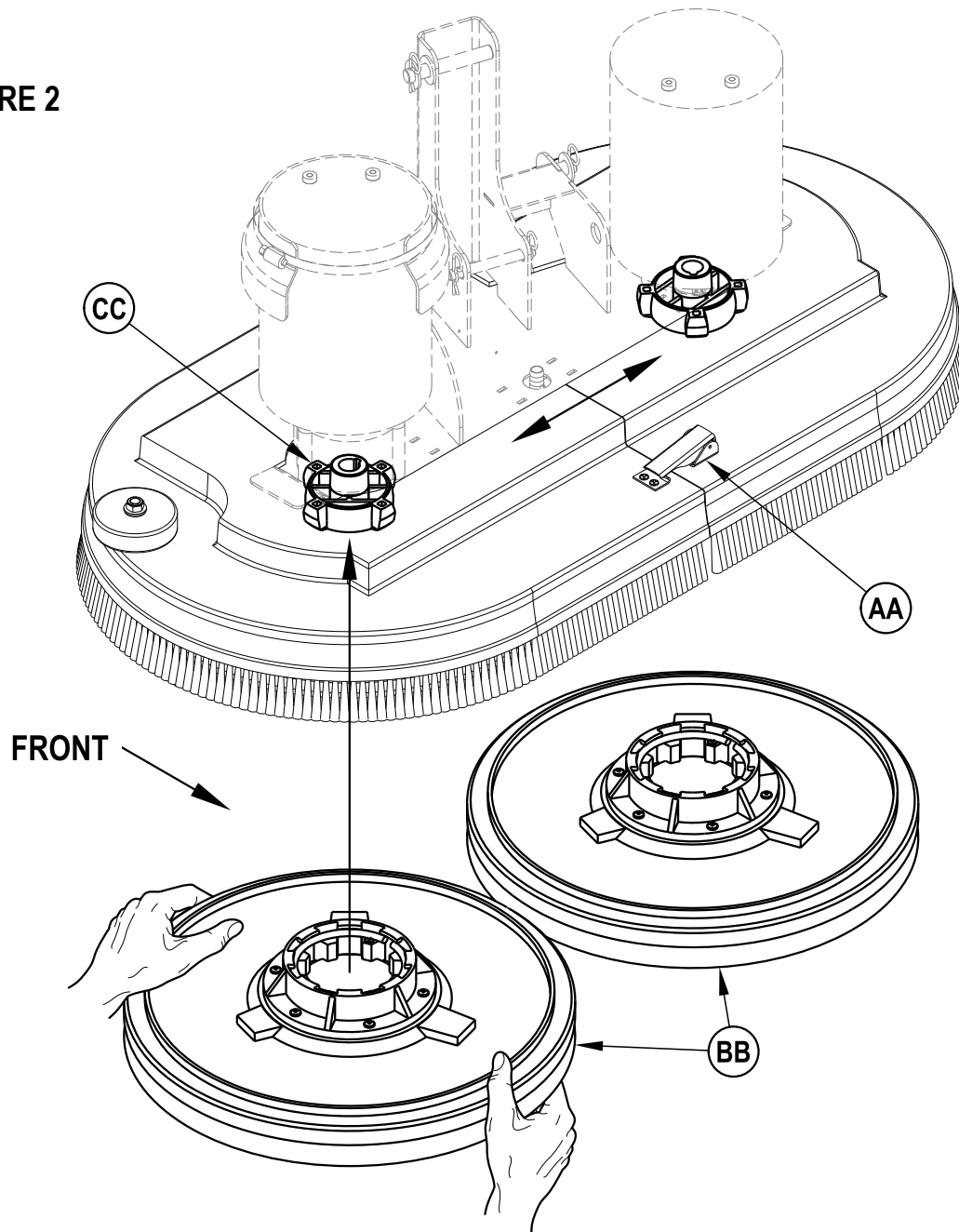
Turn the key switch off (O) and remove the key, before changing the brushes, and before opening any access panels.

- 1 Make sure the Brush Deck (7) is in the RAISED position. Make sure the Key Switch (A) is off (O).
- 2 If using pads, install the pads on the pad holders.
- 3 **See Figure 2.** Unlatch the right and left Brush Housings (8) at the Latch (AA). Slide each brush housing off of the scrub deck.
- 4 Put a brush or pad driver (BB) under the brush motor plate.
- 5 Align the slots in the brush gimbal with the lugs on the motor Gimbal (CC).
- 6 Pull the brush up until the gimbal locks.
- 7 Repeat steps 4, 5 & 6 to install the second brush or pad driver.

To Remove:

- 1 Make sure the Brush Deck (7) is in the RAISED position. Make sure the Key Switch (A) is off (O).
- 2 Remove the Brush Housings (8).
- 3 Push down on two sides of the brush or pad driver until the gimbals release.

FIGURE 2



FILLING THE SOLUTION TANK

Fill the solution tank with a maximum of 30 gallons (113.5 Liters) of cleaning solution. Do not fill the solution tank above 7.5 cm (3 inches) from the bottom of the Solution Fill (1). The solution should be a mixture of water and the proper cleaning chemical for the job. Always follow the dilution instructions on the chemical container label. **NOTE:** EcoFlex machines can either be used conventionally with detergent mixed in the tank or the detergent dispensing system can be used. When using the detergent dispensing do not mix detergent in the tank, plain water should be used.

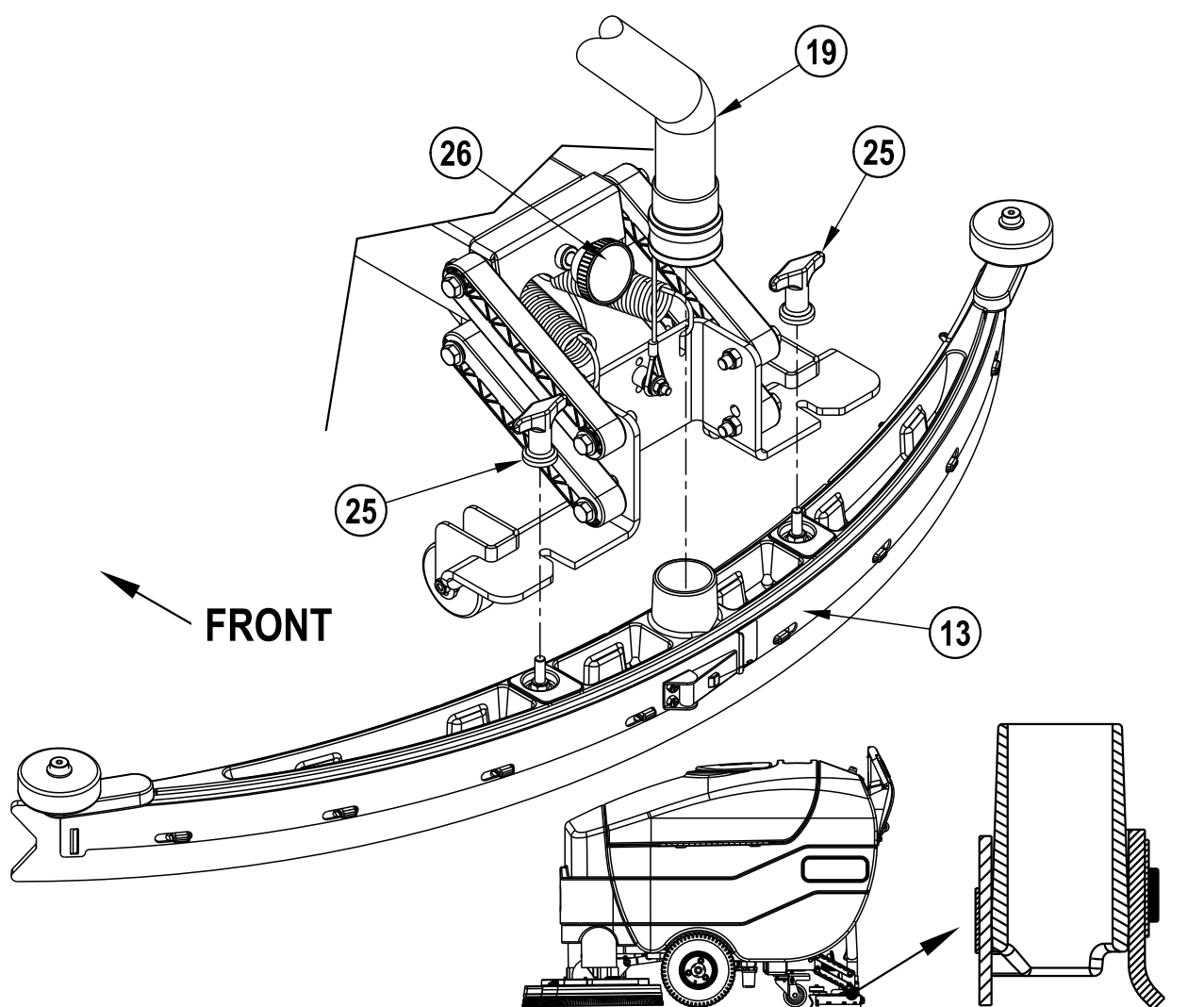
CAUTION!

Use only low-foaming, non-flammable liquid detergents intended for machine application. Water temperature should not exceed 130 degrees fahrenheit (54.4 degrees celsius)

SQUEEGEE INSTALLATION

- 1 See Figure 3. Slide the Squeegee Assembly (13) onto the squeegee mount bracket and tighten the Squeegee Mount Thumb Nuts (25).
- 2 Connect the Recovery Hose (19) to the squeegee inlet.
- 3 Lower the squeegee, move the machine ahead slightly and adjust the squeegee tilt using the Squeegee Adjustment Knob (26) so that the rear squeegee blade touches the floor evenly across its entire width and is bent over slightly as shown.

FIGURE 3



DETERGENT SYSTEM PREPARATION AND USE (ECOFLEX MODELS ONLY)

COMMON INSTRUCTIONS:

Pressing and releasing the Detergent Switch (F) while the solution system is active will cause the detergent system to alternately turn on and off. The system should be purged of previous detergent when switching to a different detergent. **SERVICE NOTE:** Move machine over floor drain before purging because a small amount of detergent will be dispensed in the process.

To Purge When Changing Chemicals:

- 1 Disconnect and remove the detergent cartridge.
- 2 Turn the Key Switch (A) ON. Press and hold the Solution Switch (B) and the Detergent Switch (F) down for 2 seconds. **NOTE:** Once activated the purge process takes 10 seconds. See illustration on next page for Detergent System indicators. Normally one purge cycle is adequate to purge the system.

To Purge Weekly:

- 1 Disconnect and remove the detergent cartridge. Install and connect a Cartridge filled with clean water
- 2 Turn the Key Switch (A) ON. Press and hold the Solution Switch (B) and the Detergent Switch (F) down for 2 seconds. **NOTE:** Once activated the purge process takes 10 seconds. See illustration on next page for Detergent System indicators. Normally one purge cycle is adequate to purge the system.

When the Detergent Cartridge is almost empty a Display Panel (D) indicator will come on. This "Low Detergent" indicator will remain on until you reset the system. Once this indicator comes on you should be able to simply pour an entire gallon bottle of detergent into the Cartridge to refill without worrying about measuring. **NOTE:** Only reset the system when the cartridge is full. When switching cartridges, the "Low Detergent" indicator is only accurate if the replacement cartridge is at the same level as the cartridge being replaced.

To Reset:

- 1 Turn the Key Switch (A) ON. Press and hold the Detergent Switch (F) and the EcoFlex Switch (G) down for 2 seconds. See illustration on next page for Detergent System indicators.

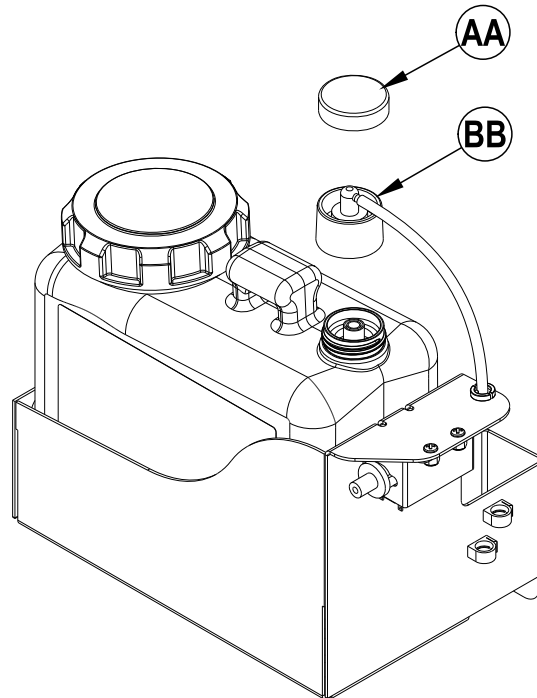
Detergent Ratio:

- 1 The detergent ratio is locked at 1:400, except while overriding the EcoFlex cleaning mode. The pre-programmed ratio that is used during EcoFlex override can be adjusted. With the detergent system OFF, press and hold the Detergent ON/OFF Switch (F) for 2 seconds. The detergent indicator will flash and each press of the switch will cycle through the available ratios (1:32, 1:50, 1:64, 1:100, 1:128, 1:150, 1:200, 1:256, 1:300, 1:400). Once the desired ratio is displayed on the screen (D4), stop and it will lock in after 5 seconds.

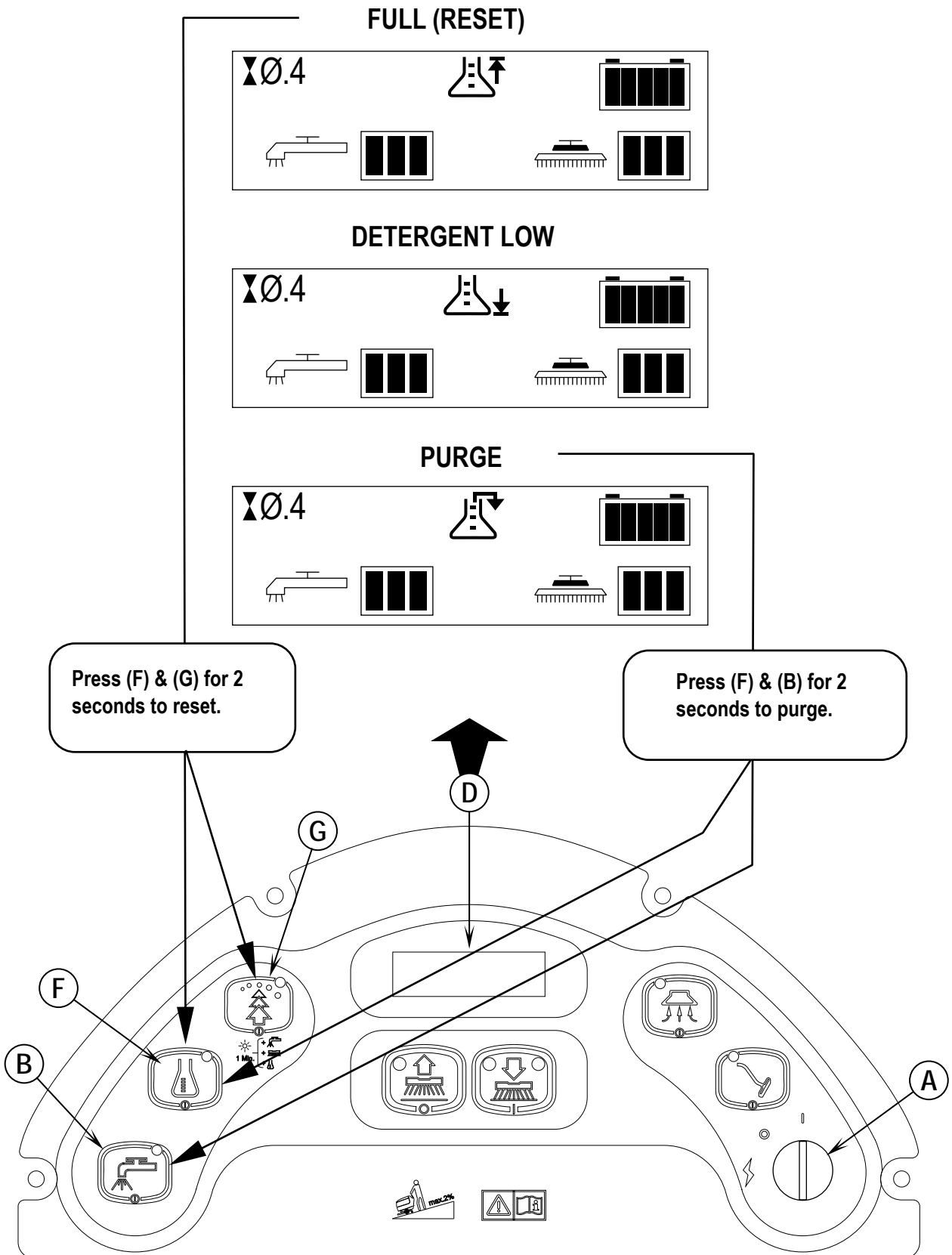
CARTRIDGE SPECIFIC INSTRUCTIONS:

Fill the detergent cartridge with a maximum of 1.25 gallons (4.73 Liters) of detergent. **SERVICE NOTE:** Remove the detergent cartridge from the detergent box prior to filling to avoid spilling detergent on the machine.

It is recommended that a separate cartridge be used for each detergent you plan to use. The detergent cartridges have a white decal on them so you can write the detergent name on each cartridge to avoid mixing them up. When installing a new cartridge, remove the Cap (AA) and place the cartridge in the detergent box. Install the Dry Break Cap (BB) as shown.



DETERGENT SYSTEM PREPARATION AND USE (ECOFLEX MODELS ONLY)



WET SCRUBBING



WARNING!

Be sure you understand the operator controls and their functions. While on ramps or inclines, avoid sudden stops when loaded.

Avoid abrupt sharp turns. Use low speed down hills. Clean only while ascending (driving up) the ramp.

- 1 Follow the instructions in the Preparing the Machine For Use section of this manual.
- 2 Turn the Master Key Switch (A) ON (I). This will display the control panel indicator lights, reference the Battery Indicator and Hour Meter on the Display (D or J).
- 3 To transport the machine to the work area, push either of the Palm Buttons (29) to go forward or press either Palm Button (29) and the Reverse Button (28) to move the machine in reverse.
NOTE: Speed Control Knob (30) is used to control the maximum speed in either forward or reverse.
- 4 Press and hold the Solution Switch (B) for 5 seconds to pre-wet the floor. **NOTE:** This must be done prior to pressing the Scrub ON Switch (I).
- 5 Press the Scrub ON Switch (I) once for Regular Scrub Pressure or twice for Heavy Scrub Pressure mode. Hold this switch for 5 seconds for Extreme Scrub Pressure mode. Once the scrub system is activated, pressing the Solution Switch (B) will toggle between solution off, low, medium and high solution flow rates.
NOTE: The solution, vacuum and detergent (EcoFlex models) systems are automatically activated when the Scrub ON Switch (I) is pressed. No further action is required other than lowering the squeegee (17). Any individual system can be turned OFF or back ON by simply pressing its switch at any time during scrubbing.
- 6 Lower the squeegee with the Squeegee Raise / Lower Lever (17).
- 7 When the Palm Buttons (29) are not being pressed (machine stationary), the scrub, vacuum, solution and detergent (EcoFlex models) systems are activated but not running. Grip the Operator Control Handle (2) and press either of the Palm Buttons (29) to start the scrub, vacuum, solution and detergent (EcoFlex models), and to move the machine forward. For best results, move the machine at a slow walking speed. Press either palm button and the reverse button to move the machine in reverse. The brushes will run while moving the machine in reverse, but solution and detergent will not be dispensed.



CAUTION!

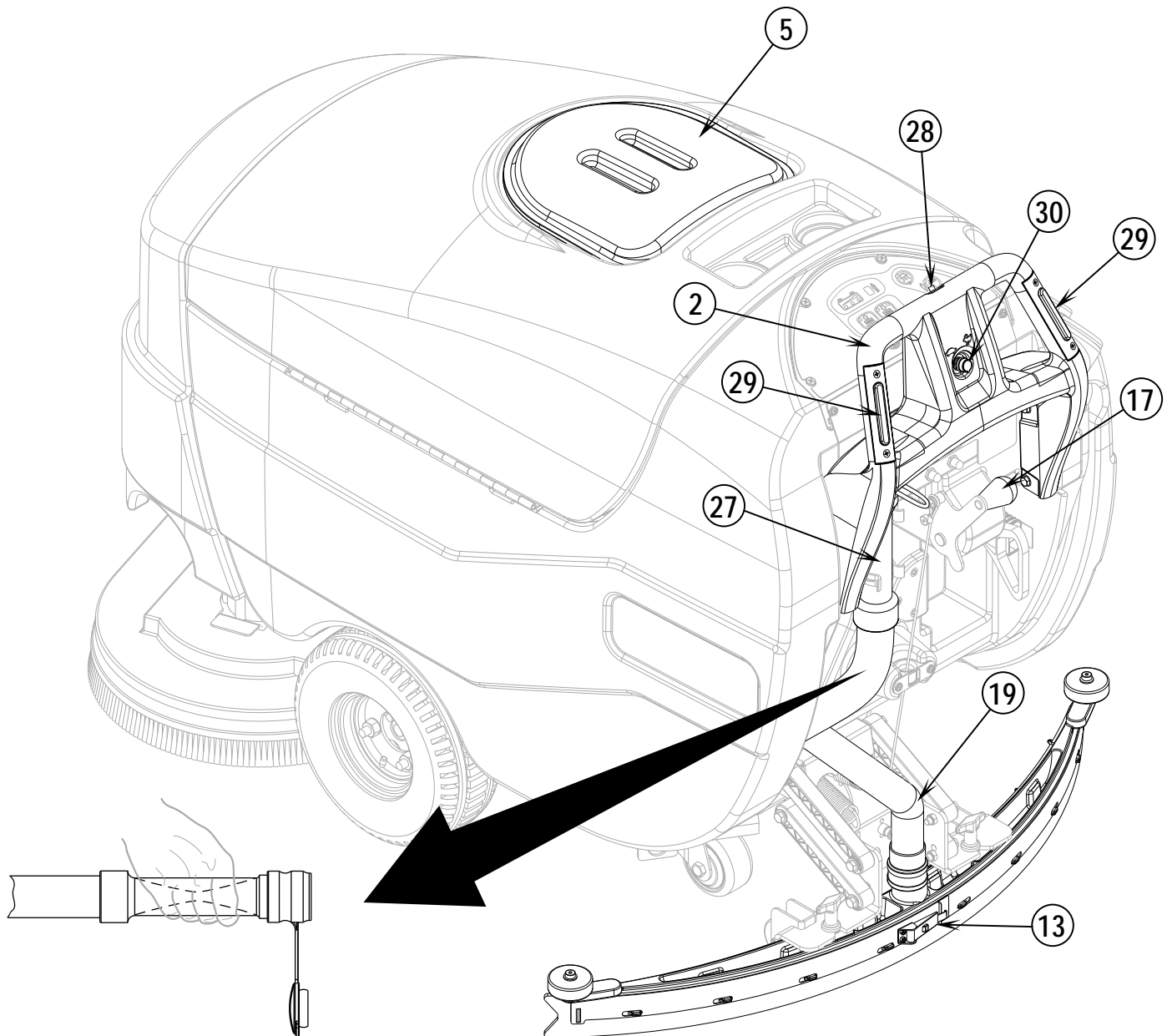
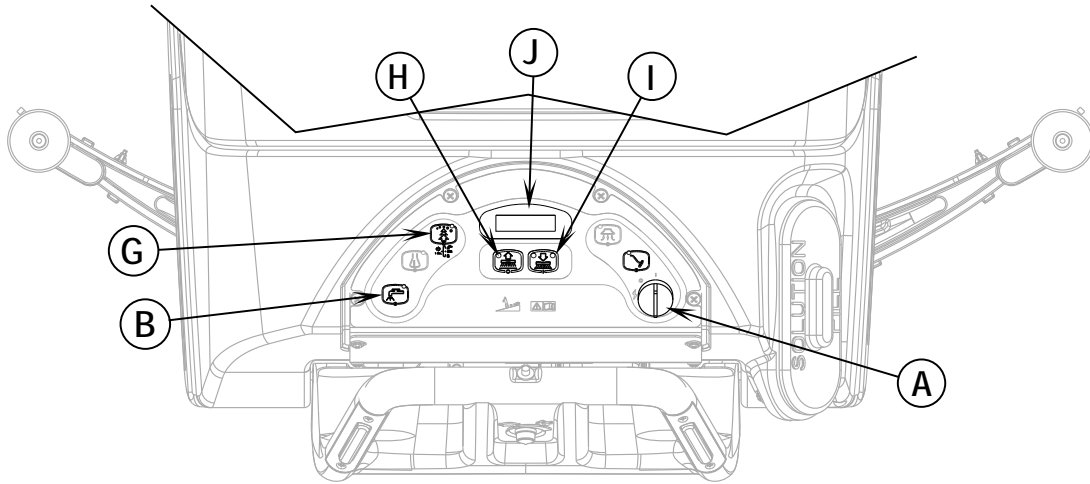
To avoid damaging the floor, keep the machine moving while the brushes are turning.

- 8 When scrubbing, check behind the machine occasionally to see that all of the waste water is being picked up. If there is water trailing the machine, you may be dispensing too much solution, the recovery tank may be full, or the squeegee tool may require adjustment.
- 9 **EcoFlex models only:** The machine defaults to the EcoFlex cleaning mode (EcoFlex Switch Indicator is lit GREEN) conserving solution and detergent. Press the EcoFlex Switch (G) to override the EcoFlex cleaning mode and temporarily increase scrub pressure, solution flow and the detergent ratio. This will cause the indicator to flash green for one minute, solution flow rate will increase to the next level, scrub pressure will increase to the next level and the detergent ratio will increase to the pre-programmed ratio. The pre-programmed ratio that is used during EcoFlex override can be adjusted. With the detergent system OFF, press and hold the Detergent ON/OFF Switch (F) for 2 seconds. The detergent indicator will flash and each press of the switch will cycle through the available ratios (1:32, 1:50, 1:64, 1:100, 1:128, 1:150, 1:200, 1:256, 1:300, 1:400). Once the desired ratio is displayed on the screen (D4), stop and it will lock in after 5 seconds.
NOTE: Pressing and holding the EcoFlex Switch (G) for 2 seconds disables the EcoFlex system. The only way to re-enable is to push the EcoFlex Switch (G) again. Cycling the Key Switch (A) does not re-enable the system. The EcoFlex system will only function if the Scrub System (I) has been enabled.
- 10 For extremely dirty floors, a one-pass scrubbing operation may not be satisfactory and a "double-scrub" operation may be required. This operation is the same as a one-pass scrubbing except on the first pass the squeegee is in the up position. This allows the cleaning solution to remain on the floor to work longer. The final pass is made over the same area, with the squeegee lowered to pick up the accumulated solution.
- 11 The recovery tank has an automatic shut-off switch that turns ALL systems OFF except the drive system when the recovery tank is full. When this switch is activated, the recovery tank must be emptied. The machine will not pick up water or scrub with the switch activated.
NOTE: All other indicators vanish and a "Recovery Tank FULL" Indicator (D7) turns on in the Display Panel when the switch is activated on "EcoFlex" models. The Hour Meter (J2) momentarily flashes each letter of the word FULL over and over on "Standard" models.
- 12 When the operator wants to stop scrubbing or the recovery tank is full, press the Scrub OFF Switch (H) once. This will automatically stop the scrub brushes and solution flow and the scrub deck will raise UP. **NOTE:** The vacuum will stop after a 10 second delay. This is to allow any remaining water to be picked up without turning the vacuum back on.
- 13 Raise the squeegee and drive the machine to a designated wastewater "DISPOSAL SITE" and empty the recovery tank. To empty, pull the Recovery Tank Drain Hose (27) from its hanger and open the cap (hold the end of the hose above the water level in the tank to avoid sudden, uncontrolled flow of waste water). The Recovery Tank Drain Hose (27) can be squeezed to regulate the flow. Refill the solution tank and continue scrubbing.

NOTE: Make sure the Recovery Tank Cover (5) and the Recovery Tank Drain Hose (27) cap is properly seated or the machine will not pick-up water correctly. When the batteries require recharging the Battery Indicator (G1) will flash red and the vacuum motor will shut off after 30 seconds. Transport the machine to a service area and recharge the batteries according to the instructions in the Battery section of this manual.

SERVICE NOTE: Refer to the service manual for detailed functional descriptions of all controls and optional programmability.

WET SCRUBBING



AFTER USE

- 1 Raise the brushes (or pads) and raise the squeegee. Move the machine to a service area.
- 2 Turn the Master Key Switch (A) OFF and remove the key.
- 3 To empty the solution tank, pull the Solution Drain Hose (16) off the elbow. Direct the hose to a floor drain or bucket. Rinse the tank with clean water. Inspect the solution hoses; replace if kinked or damaged.
- 4 To empty the recovery tank, remove the Recovery Tank Drain Hose (27) from its hanger and remove the cap (hold the end of the hose above the water level in the tank to avoid sudden, uncontrolled flow of waste water). The Recovery Tank Drain Hose (27) can be squeezed to regulate the flow. Rinse the tank and recovery tank switch (32) with clean water. Inspect the recovery and vacuum hoses; replace if kinked or damaged. **SERVICE NOTE:** Make sure you do not get any water down the Vacuum Motor Inlet Screen (4) while cleaning.
- 4a After each use, drain and rinse the recovery tank thoroughly and then fill the recovery tank about 1/3 full with clean water.
- 5 Remove the brushes or pad holders. Rinse the brushes or pads with warm water and hang up to dry. Allow buffing pads to dry completely before using again.
- 6 Remove the squeegee, rinse it with warm water and hang it up to dry.
- 7 Check the maintenance schedule below and perform any required maintenance before storage.

MAINTENANCE SCHEDULE

MAINTENANCE ITEM	Daily	Weekly	Monthly	Yearly
Charge Batteries	X			
Check/Clean Tanks & Hoses (clean recovery tank switch & vacuum inlet screen)	X			
Check/Clean/Rotate the Brushes/Pads	X			
Check/Clean the Squeegee	X			
Check Each Battery Cell(s) Water Level (does not apply to gel cell batteries)		X		
Inspect Scrub Housing Skirts		X		
Inspect and clean Solution Filter		X		
Purge Detergent System (EcoFlex only)		X		
Lubricate the Machine			X	
* Check Carbon Brushes				X

* Have Advance check the vacuum motor carbon motor brushes once a year or after 300 operating hours. The brush and drive motor carbon brushes check every 500 hours or once a year.

NOTE: Refer to the Service Manual for more detail on maintenance and service repairs.

- 8 Store the machine in a clean, dry place.
- 9 Turn the Master Key Switch (A) OFF (O) and remove the key.

SERVICING THE VACUUM MOTOR

Have your Advance Dealer check the carbon motor brushes once a year or after 300 operating hours.

IMPORTANT!

Motor damage resulting from failure to service the carbon brushes is not covered under warranty. See the Limited Warranty Statement.

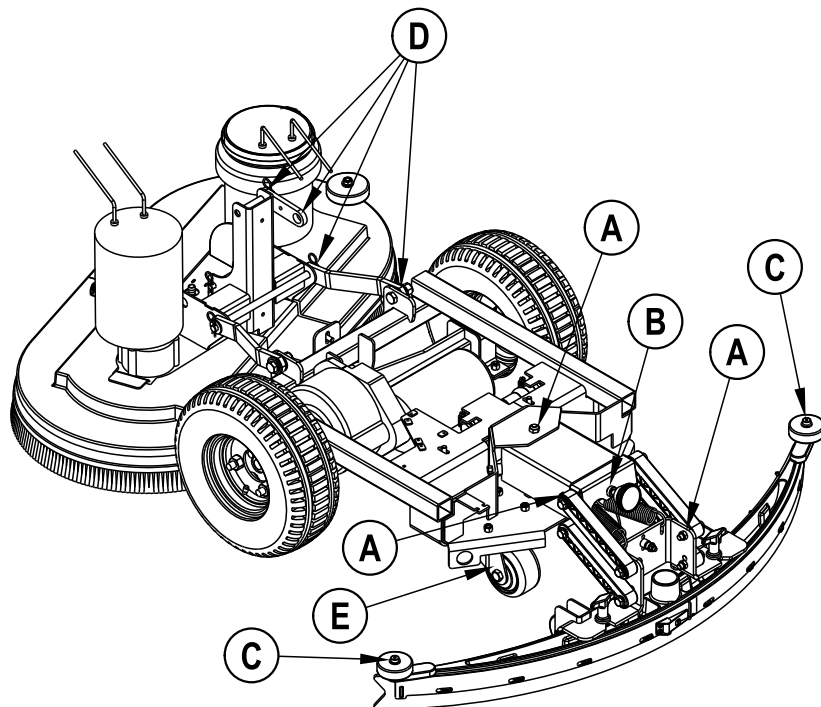
LUBRICATING THE MACHINE

Once a month, apply light machine oil to lubricate the:

- General Pivot Points For the Squeegee Linkage (A).
- Squeegee mount angle adjustment knob threads (B).
- Squeegee Tool end wheels (C).
- General Pivot Points For the Brush Linkage (D).
- Scrub deck bumper wheel.

Once per quarter, Grease the following

- Rear Caster Wheel Swivels (E).



CHARGING WET BATTERIES

EcoFlex - Charge the batteries each time the machine is used or when the Battery Indicator (D5) is reading less than full.

Standard - Charge the batteries each time the machine is used or when the Battery Indicator (J1) is flashing RED.



WARNING!

Do not fill the batteries before charging.

Charge batteries in a well-ventilated area.

Do not smoke while servicing the batteries.

When Servicing Batteries...

- * Remove all jewelry
- * Do not smoke
- * Wear safety glasses, rubber gloves and a rubber apron
- * Work in a well-ventilated area
- * Do not allow tools to touch more than one battery terminal at a time
- * ALWAYS disconnect the negative (ground) cable first when replacing batteries to prevent sparks.
- * ALWAYS connect the negative cable last when installing batteries.

If your machine shipped with an onboard battery charger do the following:

Turn the Key Switch (A) OFF. Unwind the electrical cord from the side of the onboard charger and plug it into a properly grounded outlet. Refer to the OEM product manual for more detailed operating instructions.

If your machine shipped without an onboard battery charger do the following:

Disconnect the batteries from the machine and push the connector from the charger into the Battery Pack Connector (18). Follow the instructions on the battery charger. **SERVICE**

NOTE: Make sure you plug the battery charger into the connector with the handle attached to it.



CAUTION!

To avoid damage to floor surfaces, wipe water and acid from the top of the batteries after charging.

CHECKING THE BATTERY WATER LEVEL

Check the water level of the batteries at least once a week.

After charging the batteries, remove the vent caps and check the water level in each battery cell. Use distilled or demineralized water in a battery filling dispenser (available at most auto parts stores) to fill each cell to the level indicator (or to 10 mm over the top of the separators). DO NOT over-fill the batteries!



CAUTION!

Acid can spill onto the floor if the batteries are overfilled.

Tighten the vent caps. Wash the tops of the batteries with a solution of baking soda and water (2 tablespoons of baking soda to 1 liter of water).

CHARGING GEL (VRLA) BATTERIES

EcoFlex - Charge the batteries each time the machine is used or when the Battery Indicator (D5) is reading less than full.

Standard - Charge the batteries each time the machine is used or when the Battery Indicator (J1) is flashing RED.



WARNING!

Charge batteries in a well-ventilated area.

Do not smoke while servicing the batteries.

When Servicing Batteries...

- * Remove all jewelry
- * Do not smoke
- * Wear safety glasses, rubber gloves and a rubber apron
- * Work in a well-ventilated area
- * Do not allow tools to touch more than one battery terminal at a time
- * ALWAYS disconnect the negative (ground) cable first when replacing batteries to prevent sparks.
- * ALWAYS connect the negative cable last when installing batteries.



CAUTION!

Your voltage regulated lead acid (VRLA) battery will deliver superior performance and life ONLY IF IT RECHARGED PROPERLY! Under or overcharging will shorten battery life and limit performance. Be sure to FOLLOW PROPER CHARGING INSTRUCTIONS! DO NOT ATTEMPT TO OPEN THIS BATTERY! If a VRLA battery is opened, it loses its pressure and the plates become oxygen contaminated. THE WARRANTY WILL BE VOIDED IF THE BATTERY IS OPENED.

If your machine shipped with an onboard battery charger do the following:

Turn the Key Switch (A) OFF. Unwind the electrical cord from the side of the onboard charger and plug it into a properly grounded outlet. Refer to the OEM product manual for more detailed operating instructions.

If your machine shipped without an onboard battery charger do the following:

Disconnect the batteries from the machine and push the connector from the charger into the Battery Pack Connector (18). Follow the instructions on the battery charger. **SERVICE**

NOTE: Make sure you plug the battery charger into the connector with the handle attached to it.

IMPORTANT: Make sure you have an appropriate charger for use on Gel cell batteries. Use only "voltage-regulated" or "voltage-limited" chargers. Standard constant current or taper current chargers MUST NOT be used. A temperature-sensing charger is recommended, as manual adjustments are never accurate and will damage any VRLA battery.

SERVICING THE SQUEEGEE

If the squeegee leaves narrow streaks or water, the blades may be dirty or damaged. Remove the squeegee, rinse it under warm water and inspect the blades. Reverse or replace the blades if they are cut, torn, wavy or worn.

To Reverse or Replace the Rear Squeegee Wiping Blade...

- 1 See Figure 4. Raise the squeegee tool off the floor, and then unsnap the Center Latch (23) on the squeegee tool.
- 2 Remove the Tension Straps (22).
- 3 Slip the rear blade off the Alignment Pins (24).
- 4 The squeegee blade has 4 working edges. Turn the blade so a clean, undamaged edge points toward the front of the machine. Replace the blade if all 4 edges are nicked, torn or worn to a large radius.
- 5 Install the blade, following the steps in reverse order and adjust the squeegee tilt.

To Reverse or Replace the Front Squeegee Blade...

- 1 Raise the squeegee tool off the floor, loosen the (2) Thumb Nuts (25), disconnect the Recovery Hose (19) and remove the Squeegee Assembly (13) from the mount.
- 2 Remove both rear Tension Straps (22) first.
- 3 Remove all the wing nuts that hold the front blade in place, then remove the tension strap and blade.
- 4 The squeegee blade has 4 working edges. Turn the blade so a clean, undamaged edge points toward the front of the machine. Replace the blade if all 4 edges are nicked, torn or worn to a large radius.
- 5 Install the blade, following the steps in reverse order and adjust the squeegee tilt.

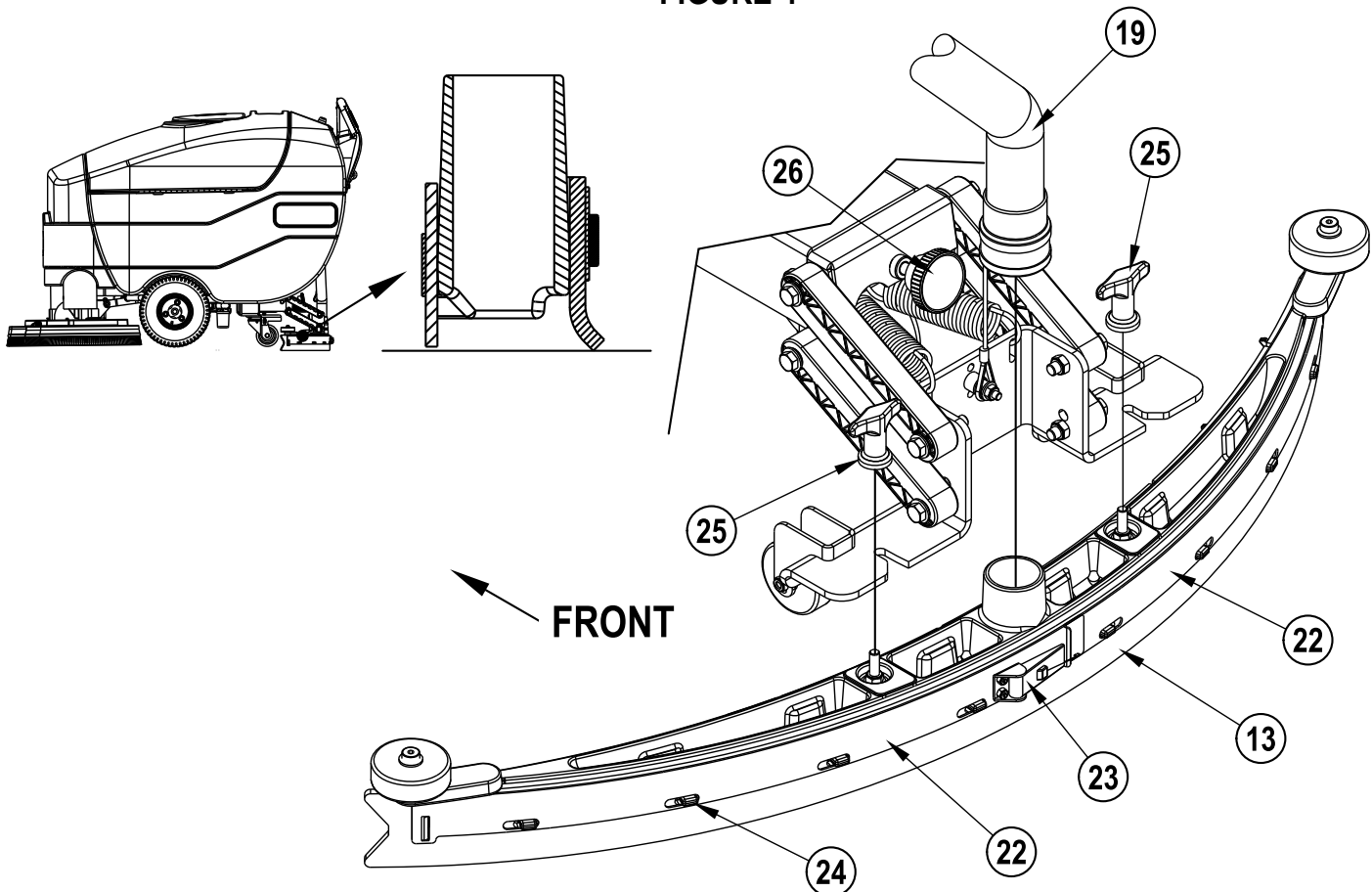
ADJUSTING THE SQUEEGEE

Adjust the squeegee angle whenever a blade is reversed or replaced, or if the squeegee is not wiping the floor dry.

To Adjust the Squeegee Angle...

- 1 Park the machine on a flat, even surface and lower the squeegee.
- 2 While moving the machine forward slowly, turn the Squeegee Adjustment Knob (26) until the rear squeegee blade folds over evenly across the entire width of the squeegee as shown below.

FIGURE 4



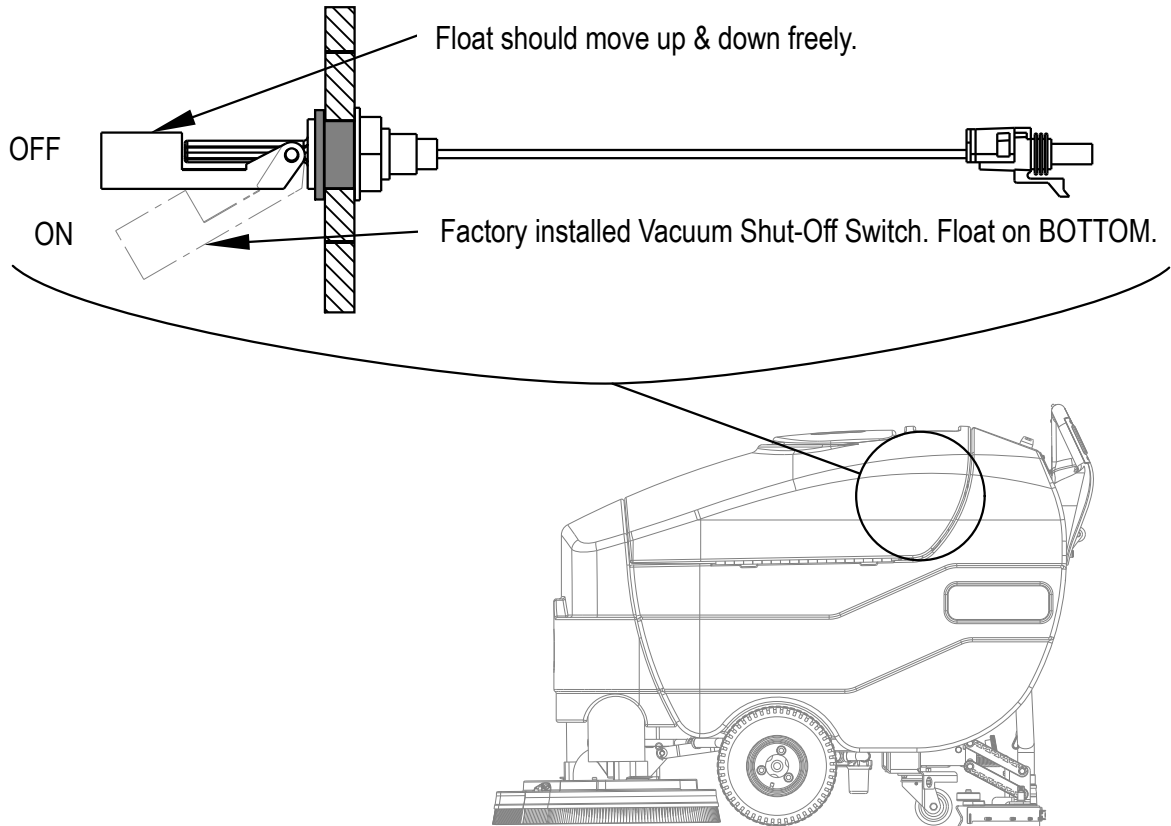
SERVICING THE RECOVERY TANK SWITCH

If the recovery tank float switch becomes dirty it can impair its proper operation. A dirty vacuum shut off switch can cause the vacuum motor to not function at all or to not shut off when the tank is full.

If daily rinsing of the recovery tank does not suffice to keep the switch clean you may need to disassemble it for cleaning. It is very important that it be reassembled correctly in order to function. See Figure 5 for the correct orientation of the switch float arm.

Refer to the service manual for detailed disassembly and cleaning instructions.

FIGURE 5



CIRCUIT BREAKER TRIPPING

Circuit breakers protect electrical circuits and motors from damage due to overload conditions. If a circuit breaker trips, turn the Master Key Switch (A) OFF and remove the key. Then try to determine the cause. Once the problem has been corrected, reset the circuit breaker by pushing the button in. If the button does not stay in, wait 5 minutes and try again. If the circuit breaker trips repeatedly, call Advance for service.

Possible cause for the Control Circuit Breaker (21) tripping may be:

- 1 Short circuit in the wiring - have your Advance Service Technician service the machine

Possible causes for the Wheel Drive Circuit Breaker (20) tripping may be:

- 1 Debris wrapped around the drive wheel axle.
- 2 Worn out drive motor bearings.
- 3 Continuous use on ramps.

POOR WATER PICKUP

- 1 Recovery tank full, vacuum shut-off switch activated or dirty
- 2 Blocked vacuum system (squeegee and hoses)
- 3 Disconnected or damaged vacuum hoses
- 4 Incorrectly adjusted squeegee
- 5 Recovery tank cover gasket damaged

SQUEEGEE STREAKS

- 1 Debris under the squeegee blade
- 2 Worn, nicked or torn squeegee blade
- 3 Incorrectly adjusted squeegee

SWIRL MARKS

- 1 Running the machine with dry brushes or pads (no cleaning solution)
- 2 Incorrect brushes or pads for the application
- 3 Debris caught in brushes (or pads)

NO SOLUTION FLOW

- 1 Solution Shut-Off Valve (12) closed.
- 2 Solution Filter (11) clogged.

NO DETERGENT FLOW (ECOFLEX)

- 1 Empty detergent cartridge.
- 2 Plugged or kinked detergent flow line.
- 3 Detergent pump wiring disconnected or wired incorrectly.
- 4 Dry seal cap on detergent cartridge not sealed.

TECHNICAL SPECIFICATIONS (as installed and tested on the unit)

Model		34 RST D	34 RST D-C
		34 RST X-D	34 RST X-D-C
Model No.		56315900	56315901
		56381029	56381031
Voltage, Batteries	V	36V	36V
Battery Capacity	Ah	305	305
Protection Grade		IPX3	IPX3
Sound Pressure Level (IEC 60704-1)	dB(A)/20μPa	74.5	74.5
Gross Weight	lbs. / kg	1,245 / 565	1,245 / 565
Gradeability			
Transport		2% (1.15°)	2% (1.15°)
Cleaning		2% (1.15°)	2% (1.15°)
Model		34 RST D-C Strainer	34 RST D-C Battery Water Kit
Model No.		56315902	56315903
Voltage, Batteries	V	36V	36V
Battery Capacity	Ah	305	305
Protection Grade		IPX3	IPX3
Sound Pressure Level (IEC 60704-1)	dB(A)/20μPa	74.5	74.5
Gross Weight	lbs. / kg	1,245 / 565	1,245 / 565
Gradeability			
Transport		2% (1.15°)	2% (1.15°)
Cleaning		2% (1.15°)	2% (1.15°)

X = EcoFlex(Chemical Injection) (IE: **34 RST X-D-C**)

-C = Onboard Charger (IE: **34 RST D-C**)

ÍNDICE

Página

Introducción	B-3
Componentes y servicio	B-3
Placa de identificación	B-3
Desembalaje de la máquina	B-3

Precauciones y advertencias	B-4
-----------------------------------	-----

Conozca su máquina	B-6 – B-7
Panel de control – EcoFlex™	B-8
Panel de control – Estándar	B-9

Preparación de la máquina para su utilización

Baterías	B-10
Instalación de los cepillos	B-11
Llenado del depósito de solución	B-13
Instalación de la boquilla	B-13
Sistema de detergente (EcoFlex™)	B-14 – B-15

Manejo de la máquina

Fregado en húmedo	B-16 – B-17
-------------------------	-------------

Después de la utilización de la máquina	B-18
Programa de mantenimiento	B-18
Mantenimiento del motor de aspiración	B-18
Lubricación de la máquina	B-18

Mantenimiento

Recarga de las baterías (líquido)	B-19
Recarga de las baterías (gel)	B-19
Mantenimiento de la boquilla	B-20
Ajuste de la boquilla	B-20
Mantenimiento del interruptor del depósito de recuperación	B-21

Localización de averías

Disparo de los disyuntores del circuito	B-22
Mala recogida del agua	B-22
Estrías de la boquilla	B-22
Marcas de giro	B-22
No hay flujo de la solución	B-22
no hay flujo de detergente (EcoFlex™)	B-22

Especificaciones técnicas	B-23
---------------------------------	------

INTRODUCCIÓN

Este manual le ayudará a obtener el máximo rendimiento de su limpiadora/secadora automática **Advance™**. Léalo con atención antes de utilizar la máquina.

Nota: Los números que aparecen en negrita entre paréntesis indican elementos ilustrados en las páginas B-6 – B-9, a menos que se indique lo contrario.

Este producto está destinado exclusivamente a uso comercial.

COMPONENTES Y SERVICIO

Las reparaciones, cuando sean necesarias, deben ser realizadas por su Centro Autorizado de Servicio Advance que utiliza personal de servicio formado en fábrica y lleva un inventario de piezas de repuesto y accesorios Advance originales.

Llame a Advance para lo referente a piezas de repuesto y servicio. Por favor, especifique el Modelo y Número de Serie cuando hable de su máquina.

(Distribuidor, coloque aquí la pegatina de su servicio.)

PLACA DE IDENTIFICACIÓN

El Número de Modelo y de Serie de la máquina se indican en la placa de identificación instalada en el compartimento de las baterías.

Esta información es necesaria a la hora de solicitar repuestos para la máquina. Utilice el siguiente espacio para anotar el Modelo y el Número de Serie de su máquina para futuras consultas.

Modelo _____

Número de Serie _____

DESEMBALAJE DE LA MÁQUINA

Cuando reciba la máquina, examine con atención el embalaje y la máquina, con el fin de comprobar si existe algún daño. Si observa algún daño, guarde la caja de embalaje (si procede) para que se pueda inspeccionar. Póngase en contacto inmediatamente con el Departamento de Servicio al Cliente de Advance para presentar una reclamación por daños en transporte. Consulte la hoja de instrucciones de desembalaje incluida con la máquina para sacar la máquina del palet.

ADVERTENCIA:

Los Productos a la venta en este Manual contienen, o pueden contener, productos químicos reconocidos por algunos gobiernos (como el Estado de California, según lo indica en su Proposición 65, Ley de Advertencia Regulatoria) como causantes de cáncer, defectos de nacimiento u otros daños reproductivos. En algunas jurisdicciones (incluido el Estado de California), los compradores de estos Productos que los coloquen en servicio en un emplazamiento laboral o en un espacio de acceso público tienen la obligación regulatoria de realizar determinados avisos, advertencias o divulgaciones respecto de los productos químicos contenidos o posiblemente contenidos en los Productos utilizados en tal lugar. Es la responsabilidad del comprador conocer y cumplir con todas las leyes y reglamentaciones relacionadas con el uso de estos Productos en tales entornos. El Fabricante niega toda responsabilidad de informar a los compradores sobre requisitos específicos que pueden regir el uso de los Productos en tales entornos.

PRECAUCIONES Y ADVERTENCIAS

SÍMBOLOS

Advance utiliza los símbolos que aparecen a continuación para indicar situaciones potencialmente peligrosas. Lea cuidadosamente esta información y emprenda las acciones que resulten necesarias para proteger a personas y objetos.

¡PELIGRO!

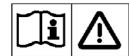
Se utiliza para advertir de peligros inmediatos que pueden producir graves daños personales o la muerte.

¡ADVERTENCIA!

Se utiliza para llamar la atención sobre una situación que puede causar graves daños personales.

¡PRECAUCIÓN!

Se utiliza para llamar la atención sobre una situación que puede causar daños personales leves o daños a la máquina u otros objetos.



Lea todas y cada una de las instrucciones antes de utilizar el aparato.

INSTRUCCIONES GENERALES DE SEGURIDAD

Se incluyen Precauciones y Advertencias específicas que le advierten de los posibles riesgos de daño a la máquina o daño corporal.

¡ADVERTENCIA!

- * Sólo deben utilizar esta máquina las personas autorizadas y con la formación adecuada.
- * Si se encuentra sobre una rampa o inclinación, evite las paradas bruscas cuando lleve carga. No tome las curvas bruscamente. Utilice una velocidad lenta si va cuesta abajo. Limpie sólo yendo cuesta arriba.
- * Mantenga las chispas, llamas y materiales de fumadores alejados de las baterías. Durante el funcionamiento normal se desprenden gases explosivos.
- * Al recargar las baterías se produce gas de hidrógeno altamente explosivo. Recargue las baterías exclusivamente en zonas bien ventiladas, lejos de llamas sin proteger. No fume mientras recarga las baterías.
- * Qítense todas las joyas cuando trabaje cerca de componentes eléctricos.
- * Ponga el conmutador en posición de apagado (O) y desconecte las baterías antes de revisar los componentes eléctricos.
- * No trabaje nunca debajo de la máquina sin colocar antes bloques o soportes de seguridad en los que apoyar la máquina.
- * No aplique sustancias limpiadoras inflamables ni utilice la máquina sobre estas sustancias, cerca de ellas, ni en zonas en las que haya líquidos inflamables.
- * No lave la máquina con una limpiadora a presión.
- * No haga funcionar esta máquina en rampas o en pendientes superiores al 2 por ciento.
- * Use solamente los cepillos suministrados junto con el aparato o aquellos especificados en el manual de instrucciones. El uso de otros cepillos puede afectar a la seguridad.

¡PRECAUCIÓN!

- * Esta máquina no ha sido aprobada para su uso en vías públicas.
- * Esta máquina no es apta para la recogida de polvo peligroso.
- * Tenga cuidado cuando utilice discos de escarificación y piedras abrasivas. No se podrá responsabilizar a Advance de daño alguno a las superficies de los suelos causado por escarificadores o piedras abrasivas.
- * Cuando utilice la máquina, asegúrese de que no existe peligro para terceras personas, especialmente niños.
- * Antes de proceder a cualquier función de servicio, lea con atención todas las instrucciones relativas a dicha función.
- * No deje la máquina sin vigilancia sin antes haber puesto el conmutador en posición de apagado (O), haber quitado la llave y haber aplicado el freno de estacionamiento.
- * Apague el conmutador de llave (O) y quite la llave antes de cambiar los cepillos y antes de abrir cualquiera de los paneles de acceso.
- * Tome las debidas precauciones para evitar que el pelo, las joyas o las prendas sueltas queden atrapados entre los componentes móviles.
- * Tome las precauciones adecuadas cuando esté moviendo esta máquina mientras hiela. El agua de la solución, los depósitos de recuperación o detergente y de las tuberías puede congelarse, causando daños a las válvulas y accesorios. Limpie con limpiaparabrisas.
- * Retire las baterías de la máquina antes de su desguace. Las baterías deben desecharse de forma segura, de acuerdo con la reglamentación medioambiental local.
- * No utilice la máquina en superficies con pendientes superiores a las indicadas en la máquina.
- * Antes de utilizar la máquina, todas las puertas y cubiertas deberían estar colocadas como se indica en el manual de instrucciones.
- * Consulte el manual del producto OEM del cargador de batería para obtener advertencias adicionales sobre el cargador de batería específico.

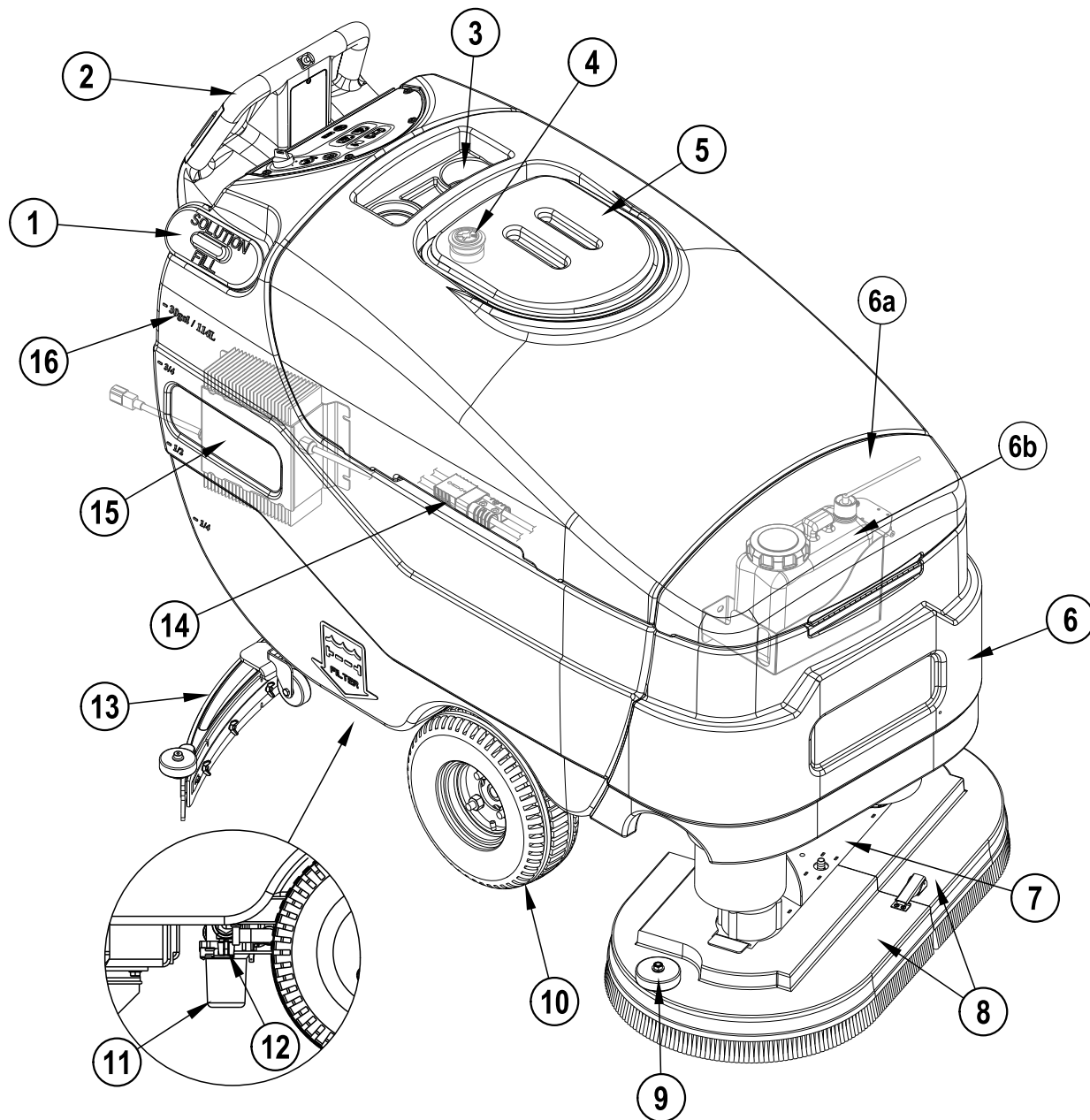
GUARDE ESTAS INSTRUCCIONES

A large empty rectangular box with a double-line border, intended for a drawing or diagram. The box occupies most of the page and is currently blank.

CONOZCA SU MÁQUINA

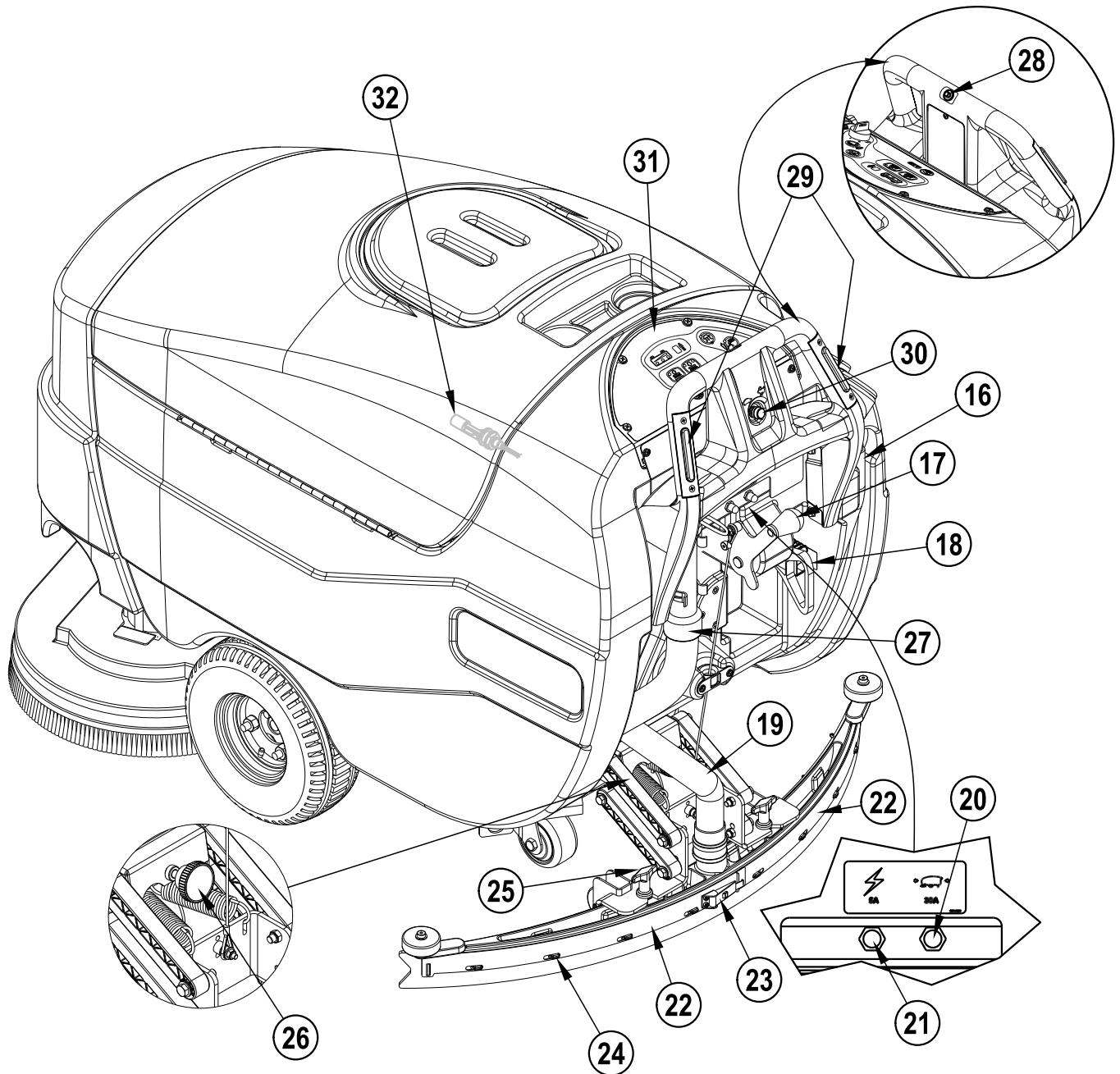
A lo largo de este manual encontrará números o letras en negrita entre paréntesis – por ejemplo: **(2)**. Estos números se refieren a un objeto que se muestra en dicha página, a menos que se indique lo contrario. Consulte estas páginas siempre que lo necesite para localizar los elementos citados en el texto. **NOTA:** Consulte el manual de servicio para obtener explicaciones más detalladas de cada objeto ilustrado en las siguientes 3 páginas.

- | | | | |
|----|---|----|---|
| 1 | Llenado del depósito de solución | 7 | Plataforma de limpieza |
| 2 | Manilla de control del operario | 8 | Contenedores de cepillos (incluye zócalo de cerdas) |
| 3 | Portabotellas | 9 | Rueda del parachoques de la plataforma de limpieza |
| 4 | Criba de entrada del motor de aspiración | 10 | Rueda motriz |
| 5 | Tapa del depósito de recuperación | 11 | Filtro de la solución |
| 6 | Cono del morro | 12 | Válvula de cierre de la solución |
| 6a | Cubierta de acceso al cartucho de detergente (EcoFlex) | 13 | Conjunto de boquilla |
| 6b | Cartucho (sólo modelos EcoFlex) de detergente (EcoFlex) | 14 | Conector del conjunto de baterías (sólo modelos con cargador a bordo) |
| | | 15 | Cargador de batería a bordo (no se encuentra en todos los modelos) |



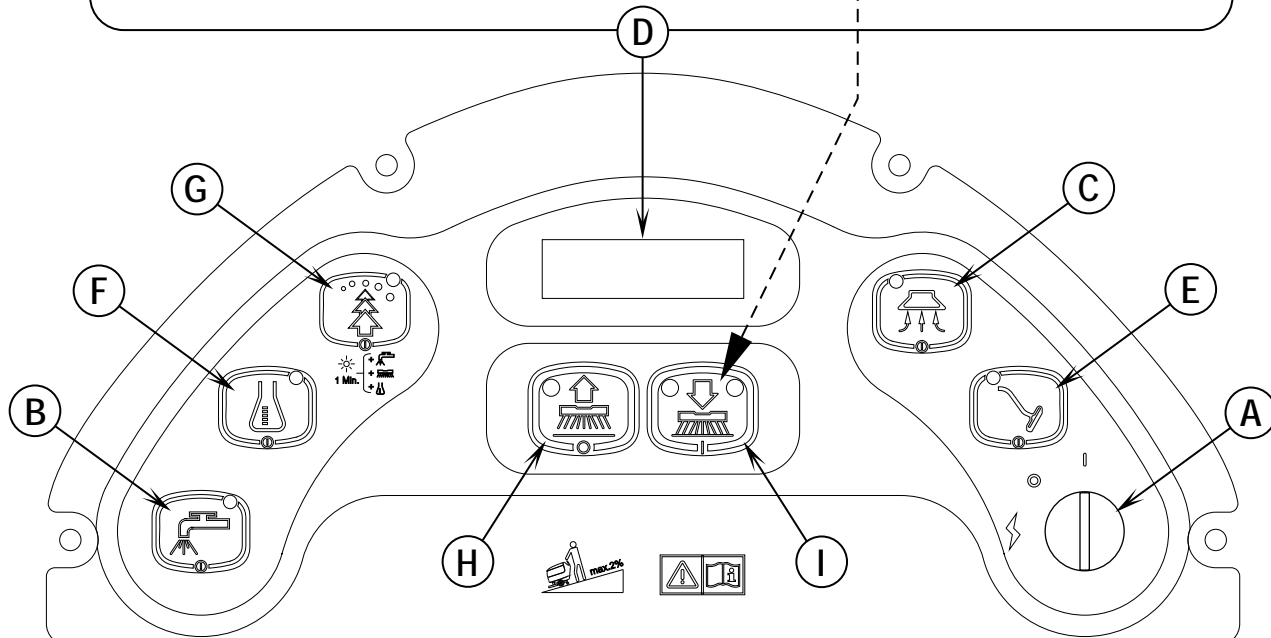
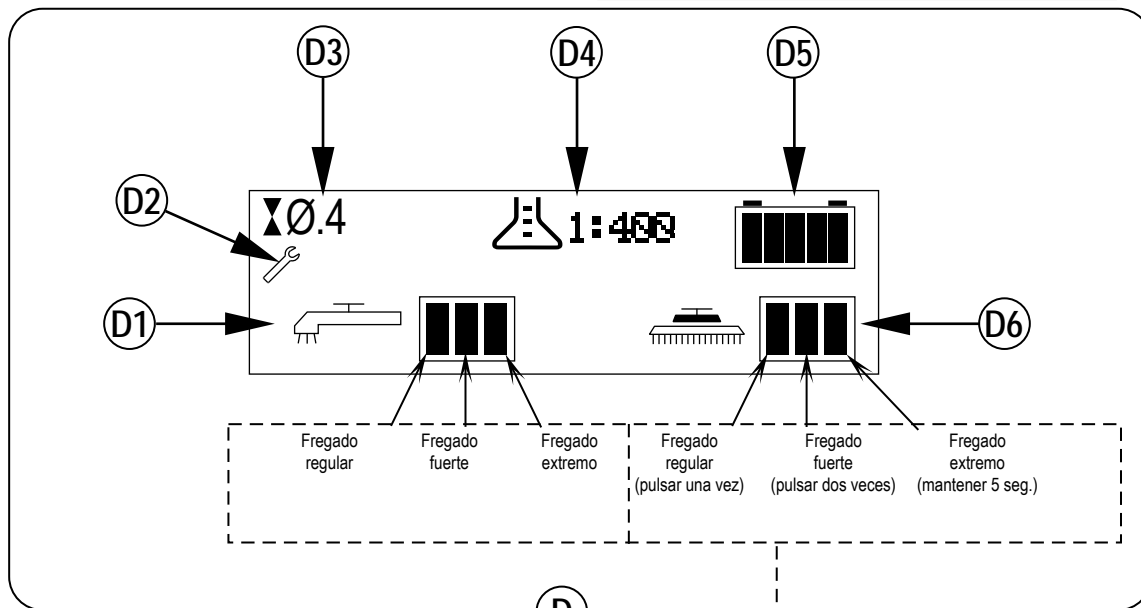
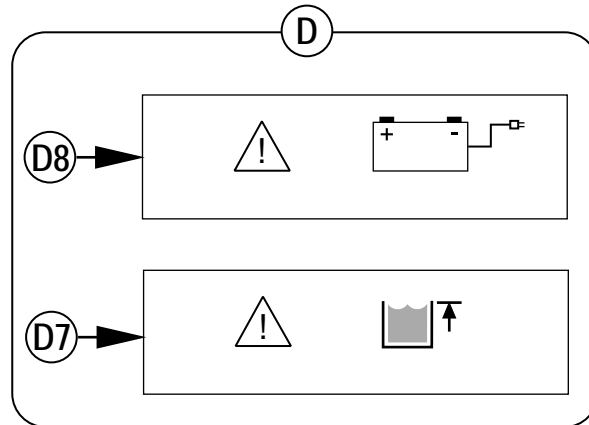
CONOZCA SU MÁQUINA

- | | | | |
|----|---|----|---|
| 16 | Tubería de drenaje de la solución / Indicador de nivel | 25 | Tuerca de palomilla de montaje de la boquilla |
| 17 | Palanca de elevación/descenso de la boquilla | 26 | Botón de ajuste de la boquilla |
| 18 | Conector del conjunto de baterías (sólo modelos sin cargador a bordo) | 27 | Tubería de drenaje del depósito de recuperación |
| 19 | Tubería de recuperación | 28 | Botón marcha atrás |
| 20 | Disyuntor del motor de la tracción de rueda | 29 | Botones de transmisión de palma |
| 21 | Disyuntor del circuito de control | 30 | Botón de control del límite de velocidad |
| 22 | Correa de tensión de la cuchilla de la boquilla | 31 | Panel de control |
| 23 | Pestillo de la cuchilla de la boquilla | 32 | Interruptor de apagado de la aspiración |
| 24 | Pasadores de alineación de la cuchilla de la boquilla | | |



PANEL DE CONTROL – ECOFLEX

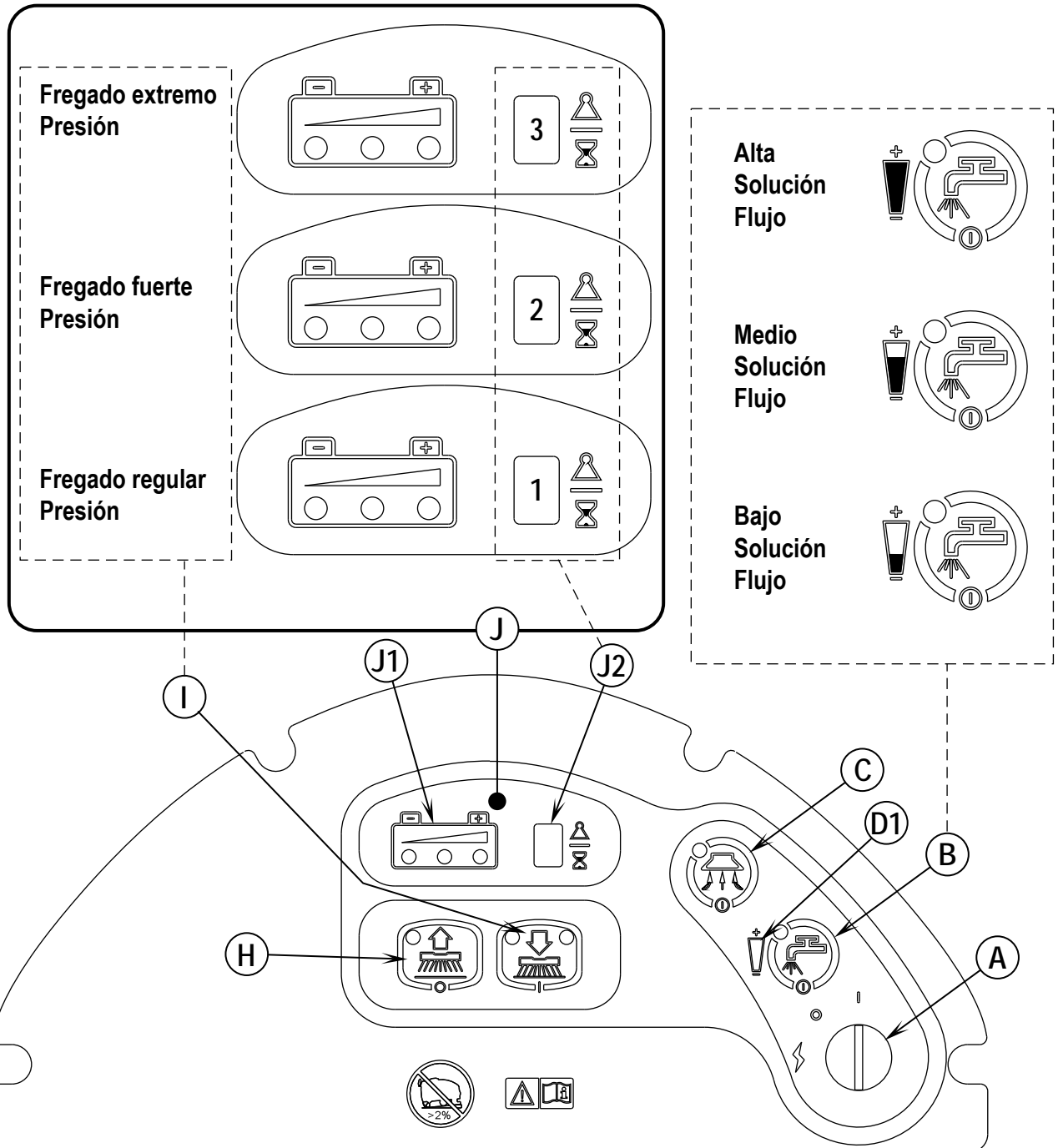
- A Conmutador de llave (principal)
- B Conmutador de la solución
- C Interruptor de aspiración
- D Panel de visualización
- D1 Indicador de flujo de la solución
- D2 Indicador de error
- D3 Cronómetro
- D4 Indicador de detergente
- D5 Indicador de batería
- D6 Indicador de la presión del fregado
- D7 Indicador de llenado del depósito de recuperación
- D8 Indicador de batería baja
- E Interruptor de vara (opción instalada por el distribuidor)
- F Sistema de detergente (sólo modelos EcoFlex)
- G Interruptor EcoFlex™
- H Fregado apagado
- I Fregado encendido



PANEL DE CONTROL

- A Conmutador de llave (principal)
- B Conmutador de la solución
- C Interruptor de aspiración
- D1 Indicador de flujo de la solución
- H Fregado apagado

- I Fregado encendido
- J Pantalla
- J1 Indicador de batería
- J2 Cronómetro / Indicador de la presión del fregado / Pantalla de código de error / Indicador de llenado del depósito de recuperación



BATERÍAS

Si su máquina se entrega con baterías instaladas, realice lo siguiente:

- Compruebe que las baterías estén conectadas a la máquina (14 ó 18).
- Encienda el conmutador de llave (A) y compruebe el indicador de batería (G1). Si la luz verde está encendida, las baterías están listas para usar. Si la luz verde está apagada, las baterías deberían cargarse antes de usar. Consulte la sección "Recarga de las baterías".
- **¡IMPORTANTE!** SI SU MÁQUINA ESTÁ EQUIPADA CON UN CARGADOR DE BATERÍA A BORDO, CONSULTE EL MANUAL DEL PRODUCTO OEM PARA OBTENER INSTRUCCIONES SOBRE EL AJUSTE DEL CARGADOR PARA EL TIPO DE BATERÍA.

Consulte TSBUS2008-984 para ver cuáles son los últimos algoritmos del cargador de baterías.

Si su máquina se entrega sin baterías instaladas, realice lo siguiente:

- Consulte con su distribuidor autorizado Advance en cuanto a las baterías recomendadas.
- Instale las baterías siguiendo las instrucciones indicadas a continuación.
- **NO instale 3 baterías de 12 voltios en su máquina. Esto afectará a la estabilidad de la máquina.**
- **¡IMPORTANTE!** SI SU MÁQUINA ESTÁ EQUIPADA CON UN CARGADOR DE BATERÍA A BORDO, CONSULTE EL MANUAL DEL PRODUCTO OEM PARA OBTENER INSTRUCCIONES SOBRE EL AJUSTE DEL CARGADOR PARA EL TIPO DE BATERÍA.

Consulte TSBUS2008-984 para ver cuáles son los últimos algoritmos del cargador de baterías.



¡ADVERTENCIA!

Tome las máximas precauciones cuando trabaje con las baterías. El ácido sulfúrico de las baterías puede causar daños graves si entra en contacto con la piel o con los ojos. Desde el interior de las baterías se libera gas explosivo de hidrógeno a través de unas aperturas en las tapas de las baterías. Este gas puede incendiarse con cualquier arco eléctrico, chispa o llama. No instale baterías de plomo-ácido en un contenedor cerrado. El gas de hidrógeno debido a la sobrecarga debe poder liberarse.

Quando revise las baterías...

- * Qúitese todas las joyas
- * No fume
- * Lleve gafas de seguridad, un delantal de goma y guantes de goma
- * Trabaje en una zona bien ventilada
- * No permita que las herramientas toquen simultáneamente más de un terminal de batería
- * Al sustituir las baterías, desconecte SIEMPRE en primer lugar el cable (de tierra) negativo para evitar chispas.
- * Al instalar las baterías, conecte SIEMPRE el cable negativo al final.



¡PRECAUCIÓN!

Los componentes eléctricos de esta máquina pueden dañarse seriamente si las baterías no están instaladas o conectadas correctamente. Las baterías deben ser instaladas por Advance, un electricista cualificado o el fabricante de las baterías.

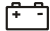

- 1 Retire las baterías de su caja de embalaje e inspecciónelas para ver si existen grietas u otros daños. Si los daños son evidentes, póngase en contacto inmediatamente con el transportista que se las entregó para presentar una reclamación por daños en transporte.
- 2 Apague el conmutador principal de llave (A) y quite la llave.
- 3 Inclíne el depósito de recuperación hacia la posición lateral cerrada. Retire los cables de la batería del interior del compartimento de las baterías.
- 4 Su máquina viene de fábrica con suficientes cables para instalar 6 baterías de 6 voltios. Levante las baterías con cuidado para meterlas en el compartimento de las baterías y colóquelas exactamente como se muestra en la FIGURA 1. Ponga las baterías tan cerca de la parte trasera de la máquina como pueda.
- 5 Instale los cables de las baterías como se muestra. Ponga los cables de forma que las cubiertas de las baterías puedan retirarse fácilmente para el mantenimiento de las baterías.
- 6 Apriete con cuidado las tuercas de los terminales de las baterías hasta que el terminal no gire. No apriete demasiado los terminales; de lo contrario será muy difícil retirarlos en futuras operaciones de mantenimiento.
- 7 Bañe los terminales con revestimiento para terminales de baterías en pulverizador (disponible en la mayoría de las tiendas de material para coches).
- 8 Ponga un manguito de goma negro encima de cada terminal y conecte el conector del conjunto de las baterías (14 ó 18).

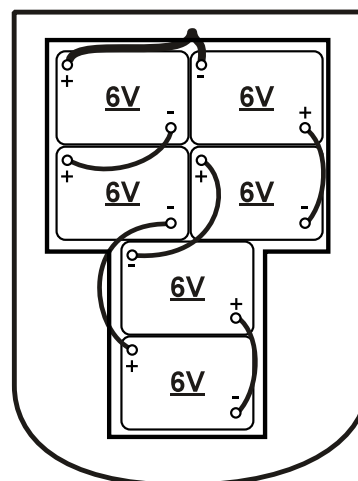


¡PRECAUCIÓN!

Antes de cambiar las baterías, consulte TSBUS2008-984 o llame al servicio técnico; en Estados Unidos: 800-989-2235; en Canadá: 800-668-8400; en México: +52 (55)2591 1002 ext. 228.

FIGURA 1

305 AH @ 20 HR RATE
(6)  MAX  267KG/588LB



CAUTION: Before changing batteries, consult TSBUS2008-984 or call Technical Service at USA: 800-989-2235 / Canada: 800-668-8400 / Mexico: +52(55) 2591 1002 ext.228

INSTALACIÓN DE LOS CEPILLOS



¡PRECAUCIÓN!

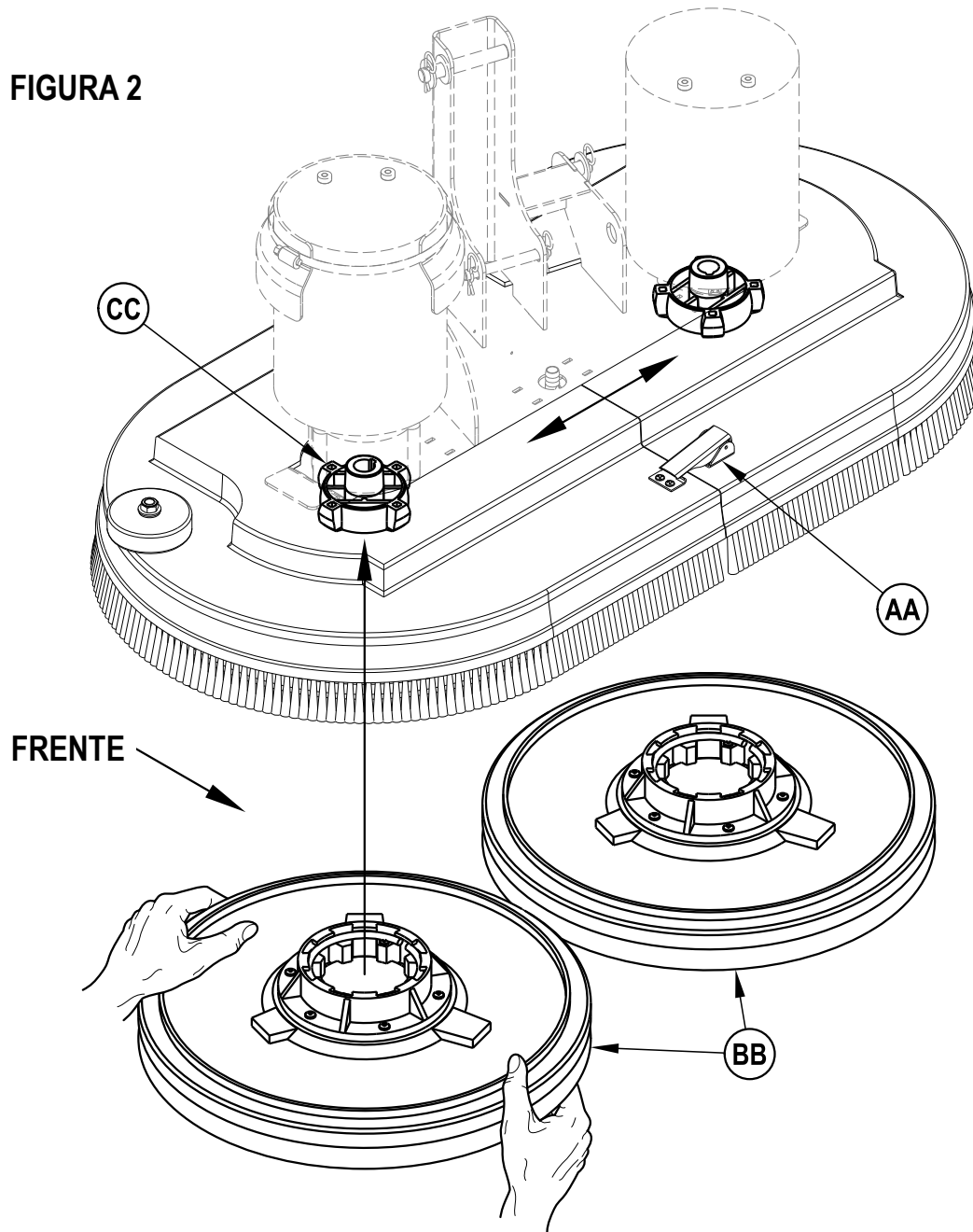
Apague el conmutador de llave (O) y quite la llave antes de cambiar los cepillos y antes de abrir cualquiera de los paneles de acceso.

- 1 Asegúrese de que el portacepillos (7) se encuentre en la posición ELEVADA. Asegúrese de que está apagado (O) el conmutador de llave (A).
- 2 Si utiliza bayetas, instale las bayetas en los portabayetas
- 3 **Ver la Figura 2.** Abra los contenedores de cepillos derecho e izquierdo (8) del seguro (AA). Deslice cada contenedor de cepillos hacia fuera de la plataforma de limpieza.
- 4 Coloque un cepillo o un impulsor de almohadilla (BB) debajo de la placa del motor del cepillo.
- 5 Alinee las lengüetas en la suspensión cardánica del motor (CC) con las ranuras de la suspensión cardánica del cepillo.
- 6 Levante el cepillo hasta que la suspensión cardánica se trabaje.
- 7 Repita los pasos 4, 5 y 6 para instalar el segundo cepillo o impulsor de almohadilla.

Para extraerla:

- 1 Asegúrese de que el portacepillos (7) se encuentre en la posición ELEVADA. Asegúrese de que está apagado (O) el conmutador de llave (A).
- 2 Extraiga los contenedores de cepillos (8).
- 3 Empuje hacia abajo los dos lados del cepillo o impulsor de almohadillas, hasta que se liberen las suspensiones cardánicas.

FIGURA 2



LLENADO DEL DEPÓSITO DE SOLUCIÓN

Llene el depósito de solución con 30 galones (113,5 Litros) de solución limpiadora como máximo. No llene el depósito de solución por encima de 7,5 cm (3 pulgadas) de la parte inferior del depósito (1). La solución debe ser una mezcla de agua y el limpiador químico apropiado para la aplicación. Siga siempre las instrucciones que aparecen en la etiqueta del envase del producto químico. **NOTA:** Las máquinas EcoFlex pueden utilizarse normalmente con detergente mezclado en el depósito o con el sistema de aplicación de detergente EcoFlex. Al utilizar el sistema de aplicación de detergente EcoFlex, no mezcle detergente en el depósito; utilice agua.



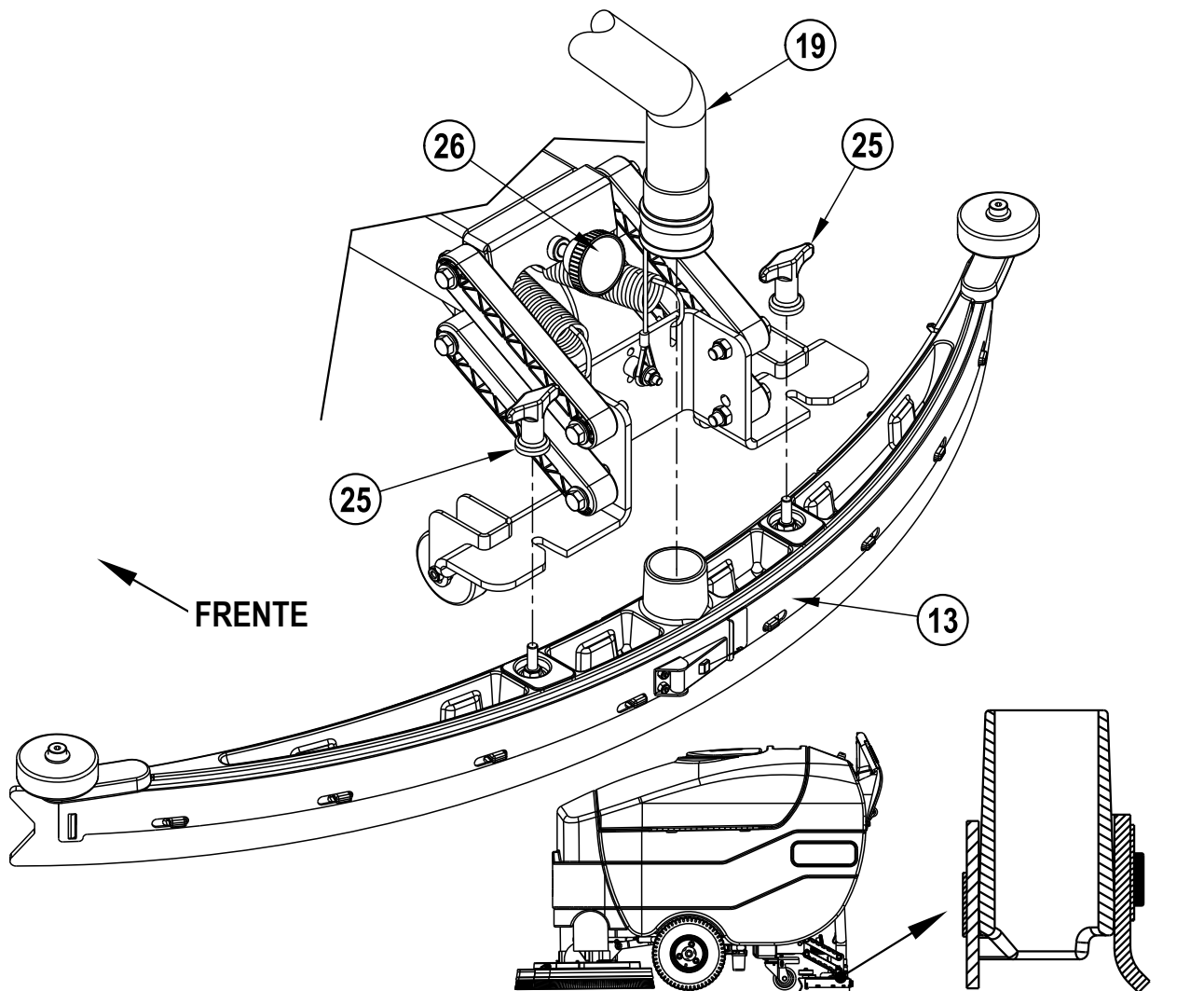
¡PRECAUCIÓN!

Utilice únicamente detergentes líquidos no inflamables de bajo poder espumante que estén diseñados para aplicaciones de fregado automático. La temperatura del agua no deberá superar los 130 grados Fahrenheit (54,4 grados Celsius)

INSTALACIÓN DE LA BOQUILLA

- 1 Ver la Figura 3. Deslice en conjunto de la boquilla (13) sobre la abrazadera de montaje de la boquilla y apriete las tuercas de palomilla de montaje de la boquilla (25).
- 2 Conecte la tubería de recuperación (19) a la entrada de la boquilla.
- 3 Baje la boquilla, desplace la máquina hacia delante y ajuste la inclinación de la boquilla utilizando el botón de ajuste de la boquilla (26), de modo que la cuchilla de la boquilla trasera toque el suelo homogéneamente en toda la anchura y se doble ligeramente como se muestra.

FIGURA 3



REPARACIÓN Y USO DEL SISTEMA DE DETERGENTE (ECOFLEX)

INSTRUCCIONES COMUNES:

Si se presiona y se suelta el interruptor de detergente (F) mientras el sistema de la solución está activo, el sistema de detergente se encenderá y apagará alternativamente. Elimine del sistema el detergente utilizado anteriormente antes de cambiar a un detergente diferente. **NOTA DE SERVICIO:** desplace la máquina sobre un punto de drenaje en el suelo antes de eliminar el detergente, porque saldrá una pequeña cantidad durante el proceso.

Purgar al cambiar productos químicos:

- 1 Desconecte y retire el cartucho de detergente.
- 2 Encienda el interruptor de contacto (A). Pulse y mantenga pulsado el interruptor de la solución (B) y el interruptor de detergente (F) durante 2 segundos. **NOTA:** una vez activado, el proceso de purga dura 10 segundos. Observe los indicadores del sistema de detergente en la ilustración de la página siguiente. Por lo general, un solo ciclo de purga es suficiente para purgar el sistema.

Purgar semanalmente:

- 1 Desconecte y retire el cartucho de detergente. Instale y conecte un cartucho lleno de agua limpia
- 2 Encienda el interruptor de contacto (A). Pulse y mantenga pulsado el interruptor de la solución (B) y el interruptor de detergente (F) durante 2 segundos. **NOTA:** una vez activado, el proceso de purga dura 10 segundos. Observe los indicadores del sistema de detergente en la ilustración de la página siguiente. Por lo general, un solo ciclo de purga es suficiente para purgar el sistema.

Cuando el cartucho de detergente esté casi vacío se encenderá un indicador del panel de visualización (D). Este indicador de "detergente bajo" permanecerá encendido hasta que reinicie el sistema. Cuando se encienda este indicador, sólo tiene que verter una botella completa de 3,7 litros de detergente en el cartucho para rellenarlo sin preocuparse de las medidas. **NOTA:** reinicie el sistema únicamente cuando el cartucho esté lleno. Al cambiar de cartuchos, el indicador de "detergente bajo" únicamente es exacto si el cartucho de repuesto está al mismo nivel que el cartucho sustituido.

Para reiniciar:

- 1 Encienda el interruptor de contacto (A). Pulse y mantenga pulsado el interruptor de detergente (F) y el interruptor EcoFlex (G) durante 2 segundos. Observe los indicadores del sistema de detergente en la ilustración de la página siguiente.

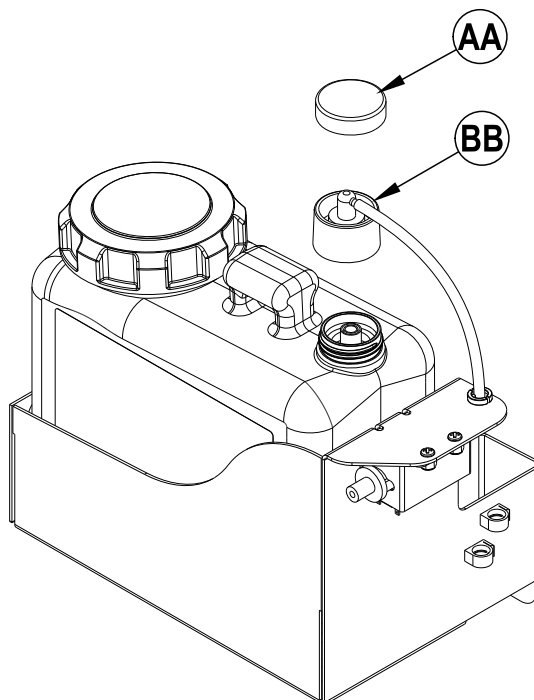
Mezcla de detergente:

- 1 La mezcla de detergente está bloqueada en 1:400, excepto si se anula el modo de limpieza EcoFlex. Es posible ajustar la mezcla preprogramada que se utiliza durante la anulación del modo EcoFlex. Con el sistema de detergente apagado, presione y mantenga presionado el interruptor de encendido/apagado de detergente (F) durante 2 segundos. El indicador de detergente parpadeará y cada pulsación del interruptor realizará un ciclo a través de las mezclas disponibles (1:32, 1:50, 1:64, 1:100, 1:128, 1:150, 1:200, 1:256, 1:300, 1:400). Cuando la mezcla deseada se muestre en la pantalla (D4), pare y se bloqueará tras 5 segundos.

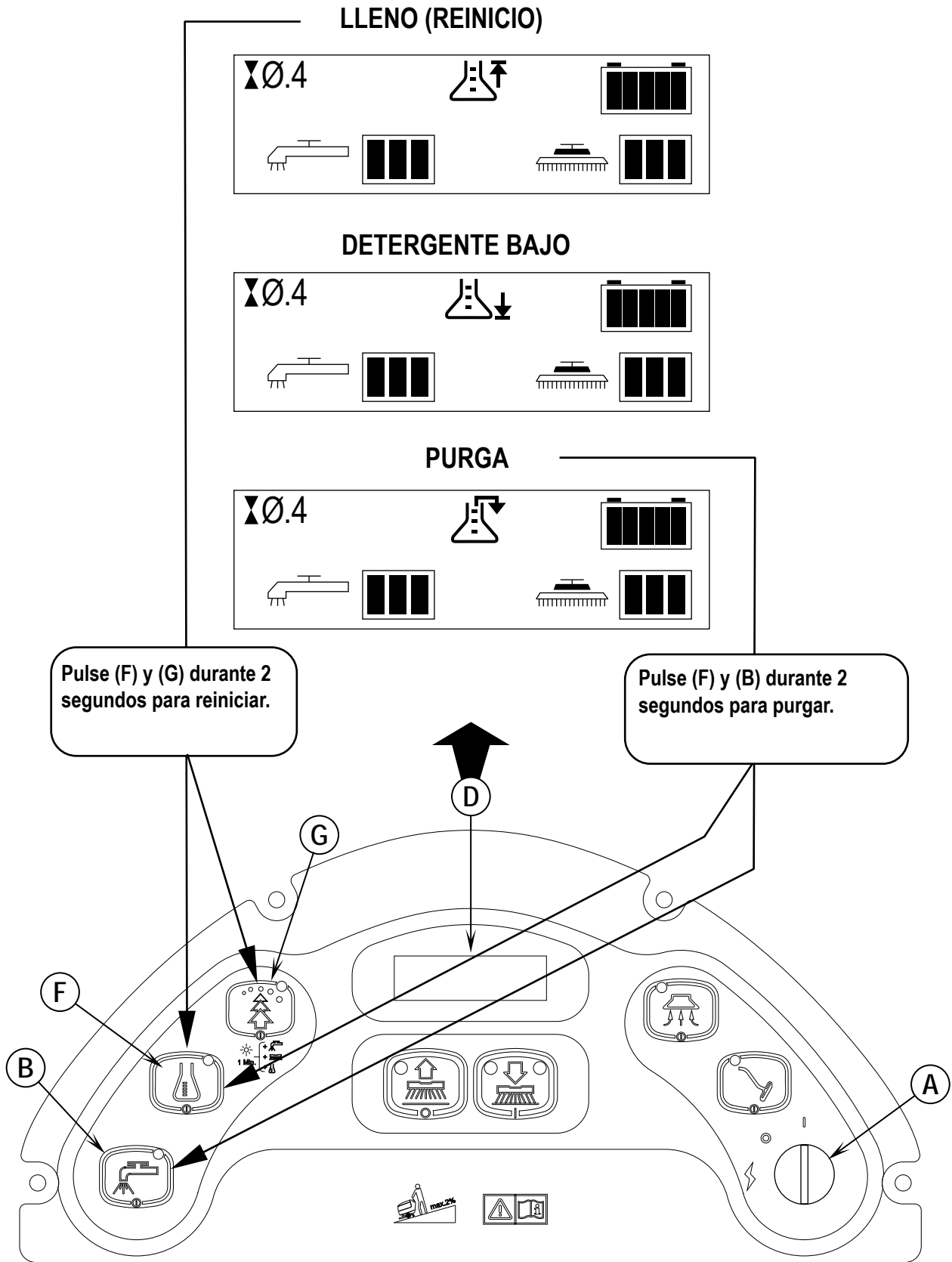
INSTRUCCIONES ESPECÍFICAS PARA EL CARTUCHO:

Llene el cartucho de detergente con 4,73 litros (1,25 galones) de detergente como máximo. **NOTA DE SERVICIO:** retire el cartucho de la caja de detergente antes de llenarlo para no derramar detergente sobre la máquina.

Se recomienda utilizar un cartucho individual para cada detergente que planea usar. Los cartuchos de detergente tienen una pegatina blanca, de modo que puede escribir el nombre del detergente en cada cartucho para no mezclarlos. Al instalar un nuevo cartucho, retire la tapa (AA) y coloque el cartucho en la caja de detergente. Instale la tapa sellada (BB) como se muestra.



REPARACIÓN Y USO DEL SISTEMA DE DETERGENTE (ECOFLEX)



FREGADO EN HÚMEDO



¡ADVERTENCIA!

Asegúrese de que comprende los controles del operador y sus funciones. Si se encuentra sobre una rampa o inclinación, evite las paradas bruscas cuando lleve carga. No tome las curvas bruscamente. Utilice una velocidad lenta si va cuesta abajo. Limpie sólo yendo cuesta arriba.

- 1 Siga las instrucciones de la sección Preparación de la máquina para el uso de este manual.
- 2 Encienda (I) el conmutador principal de llave (A). Se encenderán las luces indicadoras del panel de control, el indicador de la situación de las baterías y el cronómetro en la pantalla (D or J).
- 3 Para llevar la máquina a la zona de trabajo, empuje cualquiera de los botones palma (29) para desplazarse hacia delante o pulse cualquiera de los botones palma (29) y el botón marcha atrás (28) para desplazar la máquina marcha atrás.
NOTA: El botón de control de velocidad (30) se utiliza para controlar la velocidad máxima tanto en marcha adelante como marcha atrás.
- 4 Pulse y mantenga pulsado el conmutador de la solución (B) durante 5 segundos para mojar previamente el suelo. **NOTA:** Esto debe realizarse antes de pulsar el interruptor de encendido del fregado (F).
- 5 Pulse el interruptor de encendido del fregado (I) una vez para presión de fregado regular o dos veces para presión de fregado duro. Mantenga pulsado este interruptor durante 5 segundos para presión de fregado extremo. Una vez que el sistema de fregado se ha activado, al pulsar el conmutador de la solución (B) se alterna entre sin solución, caudal de flujo de solución bajo, medio y alto.
NOTA: Los sistemas de solución, de aspiración y de detergente (modelos EcoFlex) se activan automáticamente cuando se pulsa el interruptor de encendido del fregado (I). No se requiere ninguna acción adicional aparte de bajar la boquilla (17). Cualquier sistema individual puede apagarse o volver a encenderse con sólo presionar su interruptor en cualquier momento durante el fregado.
- 6 Baje la boquilla con la palanca de elevación / descenso de la boquilla (17).
- 7 Cuando los botones palma (29) no se están pulsando (máquina parada), los sistemas de fregado, aspiración, solución y detergente (modelos EcoFlex) están activados pero no en funcionamiento. Agarre la manija de control del operador (2) y pulse cualquiera de los botones palma (29) para encender los sistemas de fregado, aspiración, solución y detergente y para mover la máquina hacia delante. Para lograr los mejores resultados, mueva la máquina a velocidad de paseo lento. Pulse cualquiera de los botones palma y el botón marcha atrás para desplazar la máquina marcha atrás. Cuando mueva la máquina marcha atrás, los cepillos funcionarán, pero no se aplicarán solución ni detergente.

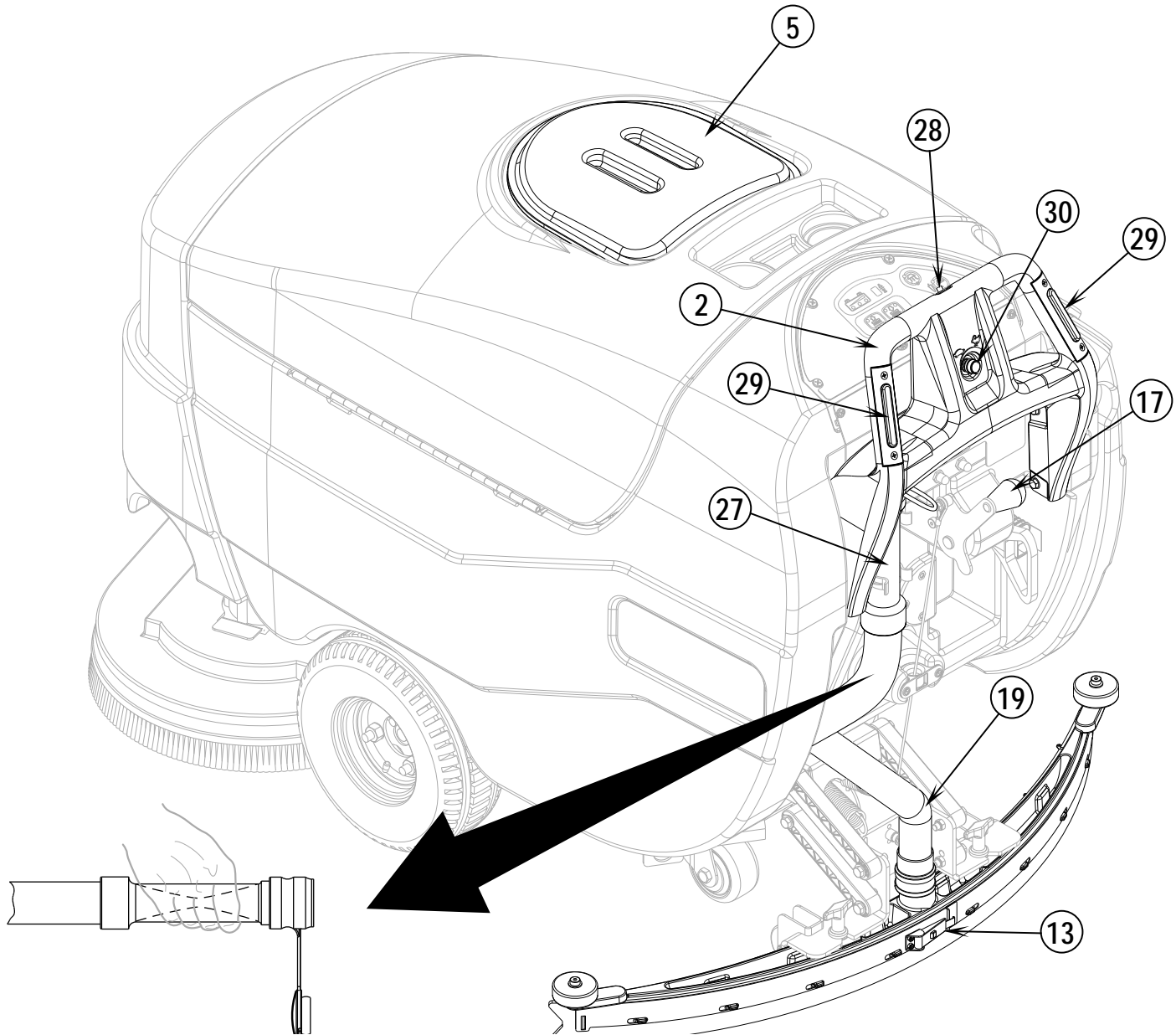
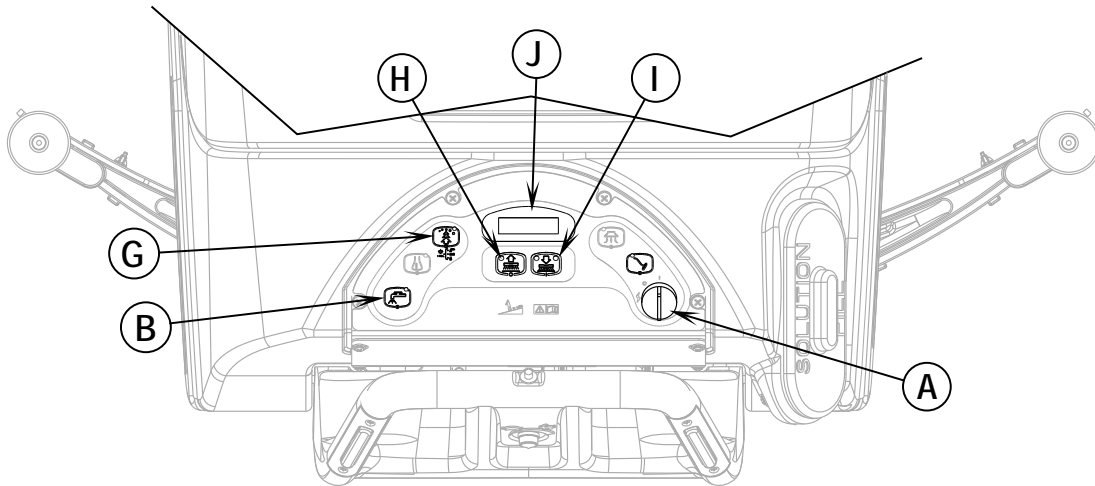


¡PRECAUCIÓN!

Para evitar daños al suelo, mantenga la máquina en movimiento cuando los cepillos están girando.

- 8 Cuando friegue, compruebe de vez en cuando que detrás de la máquina se está recogiendo el agua residual. Si queda agua en la trayectoria de la máquina, puede que esté aplicando demasiada solución, que el depósito de recuperación esté lleno o que la rasqueta necesite un ajuste.
- 9 **Exclusivamente para modelos EcoFlex:** de manera predeterminada, la máquina pasa al modo de limpieza EcoFlex (indicador del interruptor EcoFlex se ilumina en VERDE) para conservar solución y detergente. Presione el interruptor EcoFlex (G) para anular el modo de limpieza EcoFlex y aumentar temporalmente la presión de fregado, el flujo de la solución y la mezcla de detergente. Esto hará que el indicador parpadee en amarillo durante un minuto, el flujo de la solución aumentará al siguiente nivel, la presión de fregado aumentará al siguiente nivel y la mezcla de detergente aumentará a la mezcla preprogramada. Es posible ajustar la mezcla preprogramada que se utiliza durante la anulación del modo EcoFlex. Con el sistema de detergente apagado, presione y mantenga presionado el interruptor de encendido/apagado de detergente (F) durante 2 segundos. El indicador de detergente parpadeará y cada pulsación del interruptor realizará un ciclo a través de las mezclas disponibles (1:32, 1:50, 1:64, 1:100, 1:128, 1:150, 1:200, 1:256, 1:300, 1:400). Cuando la mezcla deseada se muestre en la pantalla (D4), pare y se bloqueará tras 5 segundos.
NOTA: Al presionar y mantener pulsado el interruptor EcoFlex (G) durante 2 segundos se desactivará el sistema EcoFlex. La única manera para volver a activarlo es presionar el interruptor EcoFlex (G) nuevamente. Alternar el interruptor de llave (A) no vuelve a activar el sistema. El sistema EcoFlex solo funcionará si el Sistema de Fregado (I) ha sido activado.
- 10 Para los suelos extremadamente sucios, puede que no sea satisfactoria una operación de fregado de una sola pasada y se puede necesitar una operación de "doble fregado". Esta operación es la misma que la del fregado de una sola pasada salvo que en la primera pasada la boquilla está hacia arriba. Esto permite que la solución de limpieza se quede en el suelo más tiempo. La última pasada se hace en la misma zona, con la boquilla bajada para recoger la solución acumulada.
- 11 El depósito de recuperación tiene un interruptor de cierre automático que apaga TODOS los sistemas excepto el sistema de tracción cuando el depósito de recuperación está lleno. Hay que vaciar el depósito de recuperación cuando se activa este interruptor. La máquina no recogerá agua ni fregará con el interruptor activado.
NOTA: Todos los demás indicadores desaparecen y un indicador de "llenado del depósito de recuperación" (D7) se enciende en el panel de visualización cuando el interruptor se activa en modelos "EcoFlex". En el cronómetro (J2) las letras de la palabra FULL (Lleno) parpadean una y otra vez en los modelos "Estándar".
- 12 Cuando el operario quiera dejar de fregar o el depósito de recuperación esté lleno, pulse una vez el interruptor de apagado del fregado (H). Esto parará automáticamente los cepillos de fregado y el flujo de solución, y el portacepillos se levantará. **NOTA:** La aspiración se detendrá después de un plazo de 10 segundos. Esto es así para recoger el agua que haya podido quedar sin tener que volver a encender la aspiración.
- 13 Levante la boquilla y conduzca la máquina a un lugar establecido para la eliminación de aguas residuales y vacíe el depósito de recuperación. Para vaciarlo, tire de la tubería de drenaje del depósito de recuperación (27) para sacarla de su soporte y abra la tapa (sostenga el extremo de la tubería por encima del nivel de agua para evitar el flujo súbito e incontrolado de agua residual). Se puede apretar la tubería de drenaje del depósito de recuperación (27) para regular el flujo. Rellene el depósito de solución y siga fregando.
NOTA: Asegúrese de que las tapas del depósito de recuperación (5) y de la tubería de drenaje del depósito de recuperación (27) están asentadas correctamente; de lo contrario, la máquina no recogerá correctamente el agua. Cuando las baterías necesiten recargarse, el indicador de batería (G1) estará en rojo intermitente y el motor de aspiración se apagará después de 30 segundos. Lleve la máquina a una zona de mantenimiento y recargue las baterías de acuerdo con las instrucciones de la sección de baterías de este manual.
NOTA DE SERVICIO: Consulte el manual de servicio para obtener las descripciones funcionales detalladas de todos los controles y la programabilidad opcional.

FREGADO EN HÚMEDO



DESPUÉS DE LA UTILIZACIÓN

- 1 Levante los cepillos (o las bayetas) y levante la boquilla. Lleve la máquina a una zona de mantenimiento.
- 2 Apague el conmutador principal de llave (A) y quite la llave.
- 3 Para vaciar el depósito de solución, retire la tubería de drenaje de la solución (16) del codo. Dirija la tubería a un punto de drenaje en el suelo o a un cubo. Enjuague el depósito con agua limpia. Inspeccione las mangueras de solución y sustitúyalas si están torcidas o dañadas.
- 4 Para vaciar el depósito de recuperación, extraiga la tubería de drenaje del depósito de recuperación (27) de su soporte y retire la tapa (sostenga el extremo de la tubería por encima del nivel de agua para evitar el flujo súbito e incontrolado de agua residual). Se puede apretar la tubería de drenaje del depósito de recuperación (27) para regular el flujo. Enjuague el depósito y el interruptor del depósito de recuperación (32) con agua limpia. Inspeccione las mangueras de recuperación y aspiración y sustitúyalas si están torcidas o dañadas. **NOTA DE SERVICIO:** Asegúrese de no haya agua debajo de la criba de entrada del motor de aspiración (4) mientras limpia.
- 4a Después de cada uso, drene y enjuague el depósito de recuperación completamente y, a continuación, llene el depósito de recuperación aproximadamente 1/3 con agua limpia.
- 5 Retire los cepillos o los portabayetas. Enjuague los cepillos o las bayetas con agua templada y tiéndalos para que sequen. Deje que las bayetas de pulido se sequen por completo antes de volver a usarlas.
- 6 Retire la boquilla, enjuáguela con agua templada y tiéndala para que seque.
- 7 Compruebe el programa de mantenimiento que viene a continuación y realice cualquier operación de mantenimiento necesaria antes de guardar la máquina.

PROGRAMA DE MANTENIMIENTO

OPERACIÓN DE MANTENIMIENTO	Diaria	Semanal	Mensual	Anual
Recarga de baterías	X			
Comprobar y limpiar depósitos y tuberías (limpiar interruptor de depósito de recuperación y criba de entrada de aspiración)	X			
Comprobar, limpiar y girar los cepillos y las bayetas	X			
Comprobar y limpiar la boquilla	X			
Comprobar el nivel de agua de todas las células de las baterías (no se aplica a baterías de células de gel)		X		
Inspeccionar las faldillas contenedoras de fregado		X		
Inspeccionar y limpiar el filtro de la solución		X		
Purgar el sistema de detergente (sólo modelos EcoFlex)		X		
Lubricar la máquina			X	
* Comprobar los cepillos de carbono				X

* Haga que Advance compruebe los cepillos de carbono del motor de aspiración una vez al año o después de 300 horas de funcionamiento. Compruebe los cepillos de carbono de los motores de tracción y fregado cada 500 horas o una vez al año.

NOTA: Para más información sobre reparaciones de mantenimiento y servicio, consulte el Manual de Servicio.

- 8 Almacene la máquina en un lugar limpio y seco.
- 9 Apague (O) el conmutador principal de llave (A) y quite la llave.

MANTENIMIENTO DEL MOTOR DE ASPIRACIÓN

Haga que su Distribuidor de Advance revise los cepillos de carbono del motor una vez al año o después de 300 horas de funcionamiento.

⚠ ¡IMPORTANTE!

Los daños al motor causados por no haber revisado y mantenido los cepillos de carbono no están cubiertos por la garantía. Consulte la Declaración de Garantía Limitada.

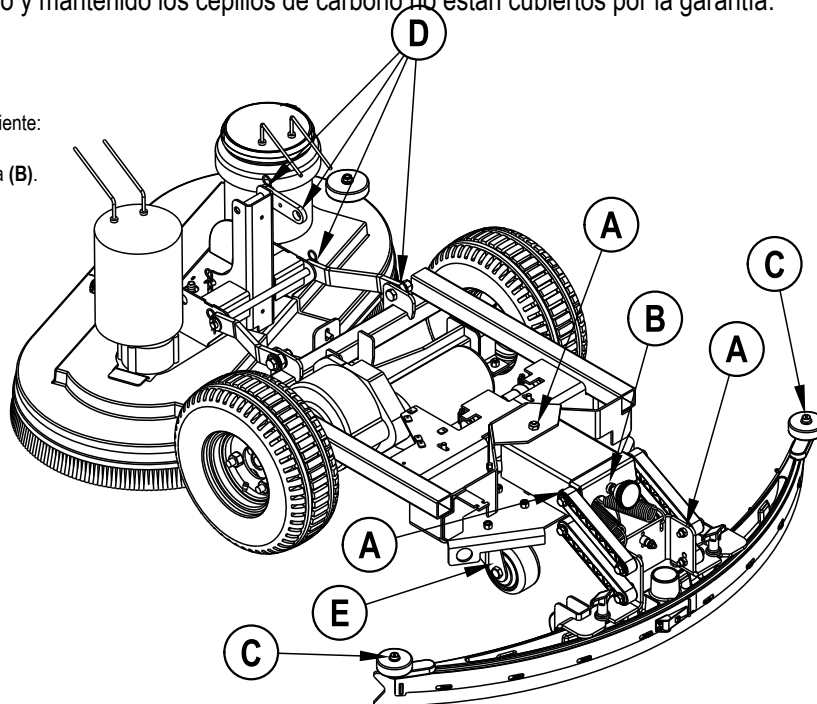
LUBRICACIÓN DE LA MÁQUINA

Una vez al mes, aplique aceite ligero de máquina para lubricar lo siguiente:

- Puntos generales de pivotaje de la junta de boquilla (A).
- Roscas del botón de ajuste del ángulo de montaje de la boquilla (B).
- Ruedas del extremo de la boquilla (C).
- Puntos generales de pivotaje de la junta de cepillo (D).
- Rueda del parachoques de la plataforma de limpieza.

Una vez al trimestre, engrase lo siguiente

- Ruedas giratorias de la roldada trasera (E).



RECARGA DE BATERÍAS DE LÍQUIDO

EcoFlex – Recargue las baterías cada vez que se utilice la máquina o cuando el indicador de batería (D5) presente un nivel inferior al de carga completa.
 Estándar – Recargue las baterías cada vez que se utilice la máquina o cuando el indicador de batería (J1) esté en ROJO intermitente.



¡ADVERTENCIA!

No rellene las baterías antes de recargarlas.
 Recargue las baterías exclusivamente en una zona bien ventilada.
 No fume mientras maneja las baterías.

Quando revise las baterías...

- * Qúitese todas las joyas
- * No fume
- * Lleve gafas de seguridad, un delantal de goma y guantes de goma
- * Trabaje en una zona bien ventilada
- * No permita que las herramientas toquen simultáneamente más de un terminal de batería
- * Al sustituir las baterías, desconecte SIEMPRE en primer lugar el cable (de tierra) negativo para evitar chispas.
- * Al instalar las baterías, conecte SIEMPRE el cable negativo al final.

Si su máquina se entrega con cargador de baterías a bordo, realice lo siguiente:

Apague el conmutador de llave principal (A). Desenrolle el cable eléctrico del lado del cargador a bordo y enchúfelo en la toma a tierra correspondiente. Consulte el manual del producto OEM para obtener más instrucciones de funcionamiento detalladas.

Si su máquina se entrega sin cargador de baterías a bordo, realice lo siguiente:

Desconecte las baterías de la máquina e introduzca el conector del cargador en el conector del conjunto de baterías (18). Siga las instrucciones que aparecen encima del cargador de las baterías. **NOTA DE SERVICIO:** Asegúrese de que enchufa el cargador de batería en el conector con el asa integrada.



¡PRECAUCIÓN!

Para evitar daños a la superficie del suelo, limpie siempre el agua y el ácido de la parte superior de las baterías después de la recarga.

COMPROBACIÓN DEL NIVEL DE AGUA DE LAS BATERÍAS

Compruebe el nivel de agua de las baterías al menos una vez a la semana.

Después de cargar las baterías, retire las cubiertas de ventilación y compruebe el nivel de agua de todas células de las baterías. Utilice agua destilada o desmineralizada en un dispensador de relleno de baterías (disponible en la mayoría de las tiendas de materiales para coches) para llenar todas las células hasta el indicador de nivel (o hasta 10 mm por encima de la parte superior de los separadores). ¡NO rellene demasiado las baterías!



¡PRECAUCIÓN!

Si las baterías están demasiado llenas se puede salpicar ácido al suelo.

Apriete las cubiertas de ventilación. Limpie la parte superior con una solución de levadura química y agua (2 cucharadas de levadura química en 1 litro de agua).

RECARGA DE BATERÍAS DE GEL (VRLA)

EcoFlex – Recargue las baterías cada vez que se utilice la máquina o cuando el indicador de batería (D5) presente un nivel inferior al de carga completa.
 Estándar – Recargue las baterías cada vez que se utilice la máquina o cuando el indicador de batería (J1) esté en ROJO intermitente.



¡ADVERTENCIA!

Recargue las baterías exclusivamente en una zona bien ventilada.
 No fume mientras maneja las baterías.

Quando revise las baterías...

- * Qúitese todas las joyas
- * No fume
- * Lleve gafas de seguridad, un delantal de goma y guantes de goma
- * Trabaje en una zona bien ventilada
- * No permita que las herramientas toquen simultáneamente más de un terminal de batería
- * Al sustituir las baterías, desconecte SIEMPRE en primer lugar el cable (de tierra) negativo para evitar chispas.
- * Al instalar las baterías, conecte SIEMPRE el cable negativo al final.



¡PRECAUCIÓN!

La batería de plomo ácido con regulación de tensión (VRLA) ofrece una vida útil y unas prestaciones superiores ¡SÓLO SI SE RECARGA CORRECTAMENTE!
 Una recarga insuficiente o excesiva reducirá la vida útil de la batería y limitará sus prestaciones. Asegúrese de SEGUIR AL PIE DE LA LETRA LAS INSTRUCCIONES DE RECARGA. ¡NO INTENTE ABRIR ESTA BATERÍA! Si la batería VRLA se abre, pierde su presión y las placas se contaminan de oxígeno. LA GARANTÍA QUEDA ANULADA SI LA BATERÍA SE ABRE.

Si su máquina se entrega con cargador de baterías a bordo, realice lo siguiente:

Apague el conmutador de llave principal (A). Desenrolle el cable eléctrico del lado del cargador a bordo y enchúfelo en la toma a tierra correspondiente. Consulte el manual del producto OEM para obtener más instrucciones de funcionamiento detalladas.

Si su máquina se entrega sin cargador de baterías a bordo, realice lo siguiente:

Desconecte las baterías de la máquina e introduzca el conector del cargador en el conector del conjunto de baterías (18). Siga las instrucciones que aparecen encima del cargador de las baterías. **NOTA DE SERVICIO:** Asegúrese de que enchufa el cargador de batería en el conector con el asa integrada.

IMPORTANTE: Asegúrese de que dispone de un cargador adecuado para su uso con baterías de células de gel. Utilice únicamente cargadores de “regulación de tensión” o de “limitación de tensión”. NO DEBEN utilizarse cargadores de corriente variable o de corriente constante estándar. Se recomienda el uso de un cargador sensible a la temperatura, dado que los ajustes manuales nunca son precisos y dañarán cualquier batería VRLA.

MANTENIMIENTO DE LA BOQUILLA

Si la boquilla deja bandas estrechas de agua, puede que las cuchillas estén sucias o dañadas. Retire la boquilla, enjuáguela con agua tibia e inspeccione las cuchillas. Sustituya o invierta las cuchillas si están cortadas, rasgadas, onduladas o gastadas.

Para invertir o sustituir la cuchilla secadora de la boquilla trasera...

- 1 **Ver la Figura 4.** Eleve la boquilla del suelo y a continuación desbloquee el pestillo central (23) de la boquilla
- 2 Retire las correas de tensión (22).
- 3 Deslice la cuchilla posterior para sacarla de las clavijas de alineación (24).
- 4 La cuchilla de la boquilla tiene 4 bordes de trabajo. Gire la cuchilla de manera que un borde limpio e intacto apunte hacia la parte frontal de la máquina. Sustituya la cuchilla si los 4 bordes están mellados, desgastados o reducidos al mínimo.
- 5 Instale la cuchilla siguiendo los pasos en orden inverso y ajuste la inclinación de la boquilla.

Para invertir o sustituir la cuchilla de la boquilla delantera...

- 1 Eleve la boquilla del suelo, afloje las (2) tuercas de palomilla (25), desconecte la tubería de recuperación (19) y retire el conjunto de la boquilla (13) del soporte.
- 2 Retire las dos correas de tensión (22) primero.
- 3 Retire todas las tuercas de palomilla que sujetan la cuchilla delantera y a continuación retire las correas de tensión y la cuchilla.
- 4 La cuchilla de la boquilla tiene 4 bordes de trabajo. Gire la cuchilla de manera que un borde limpio e intacto apunte hacia la parte frontal de la máquina. Sustituya la cuchilla si los 4 bordes están mellados, desgastados o reducidos al mínimo.
- 5 Instale la cuchilla siguiendo los pasos en orden inverso y ajuste la inclinación de la boquilla.

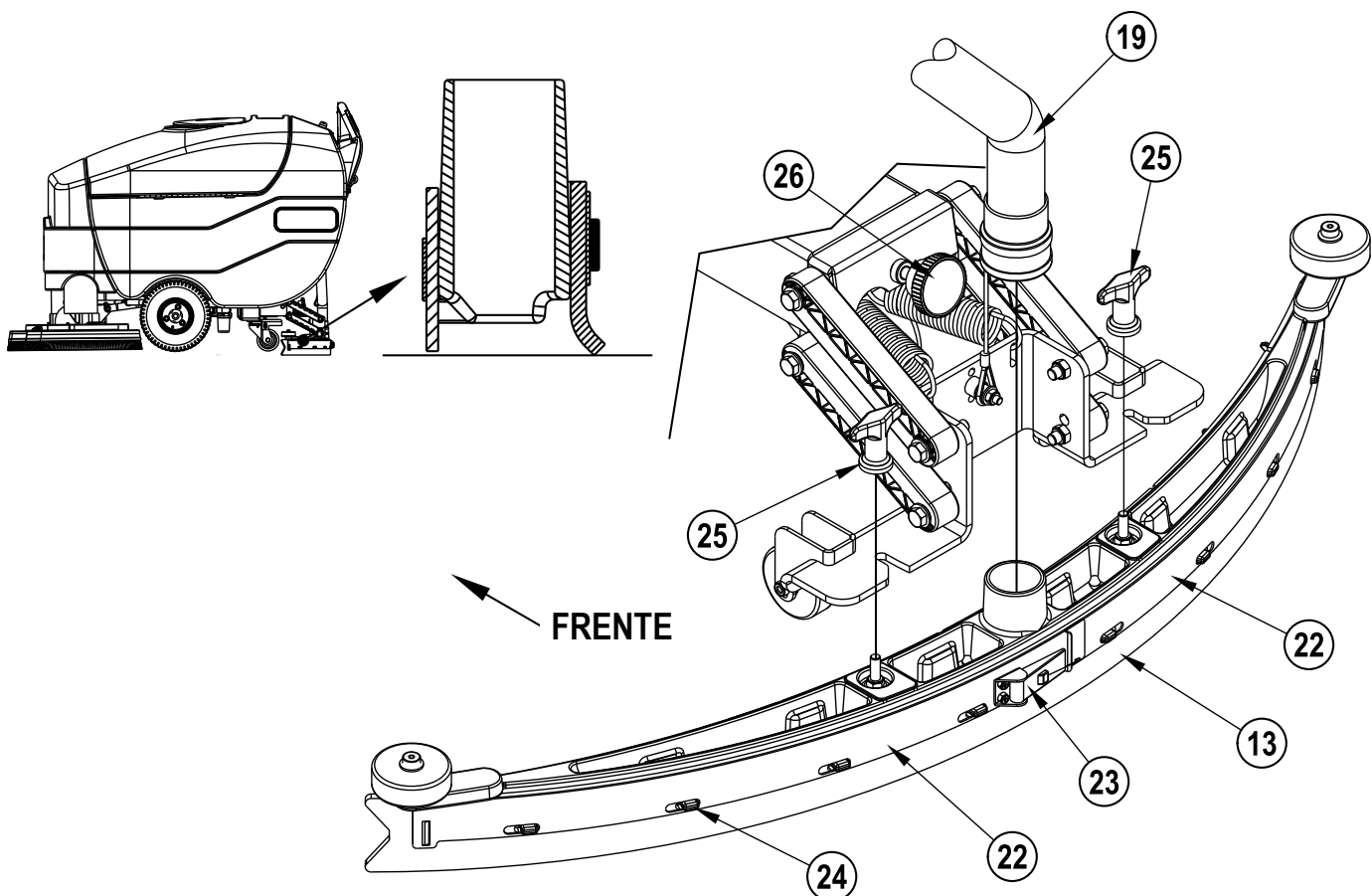
AJUSTE DE LA BOQUILLA

Ajuste el ángulo de la boquilla siempre que sustituya o invierta la cuchilla o cuando la boquilla no deje seco el suelo.

Para ajustar el ángulo de la boquilla...

- 1 Aparque la máquina en una superficie plana e igualada y baje la boquilla.
- 2 Moviendo la máquina lentamente hacia adelante, gire el tornillo de ajuste de la boquilla (26) hasta que la cuchilla de la boquilla trasera se pliegue homogéneamente en toda la anchura de la boquilla, como se indica a continuación.

FIGURA 4



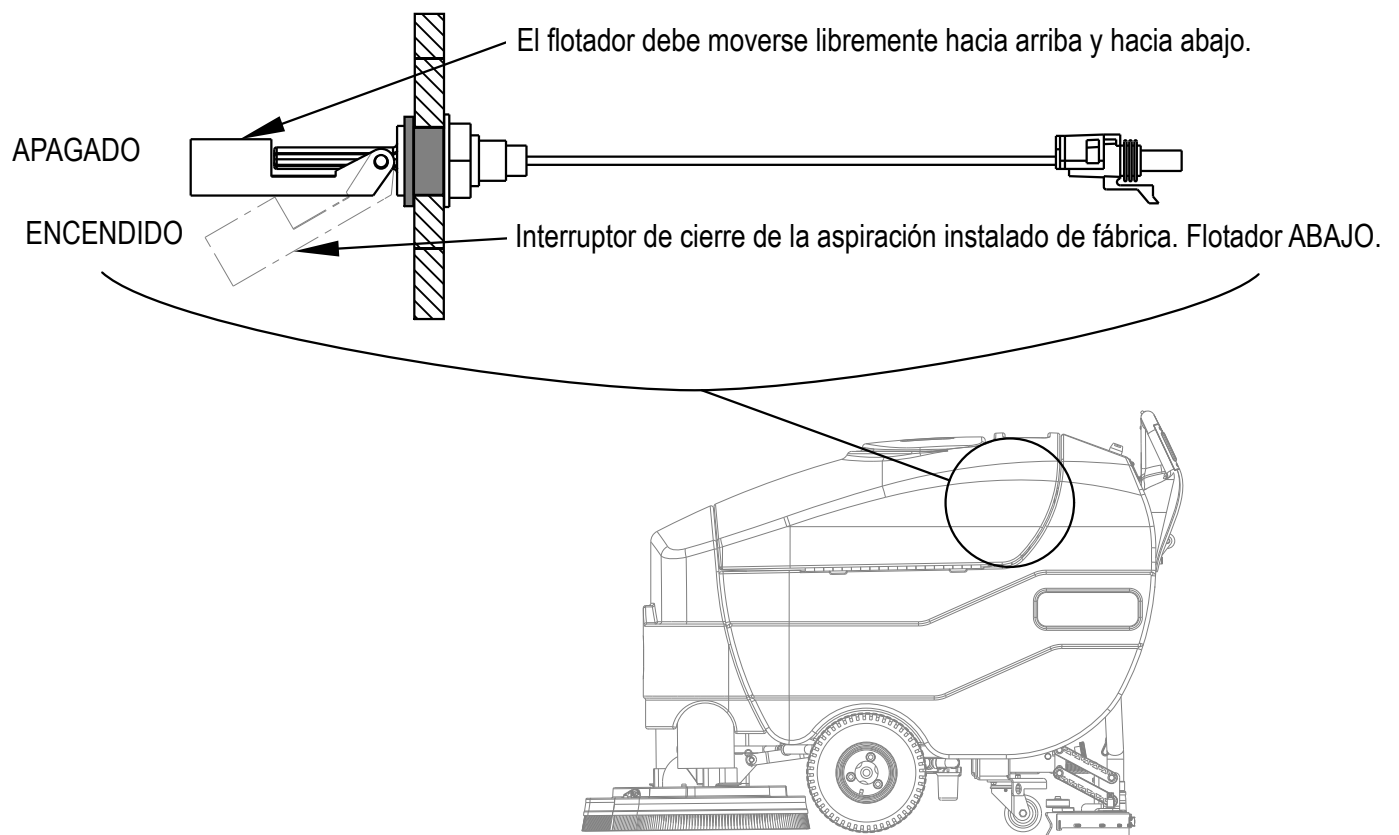
MANTENIMIENTO DEL INTERRUPTOR DEL DEPÓSITO DE RECUPERACIÓN

Si el interruptor de flotador del depósito de recuperación se ensucia, su funcionamiento podría verse afectado. Un interruptor de cierre de aspiración sucio puede provocar que el motor de aspiración no funcione en absoluto o que no se cierre cuando el depósito está lleno.

Si el enjuague diario del depósito de recuperación no basta para mantener el interruptor limpio, es posible que deba desmontarlo para limpiarlo. Es muy importante volver a montarlo correctamente para que funcione. Ver la Figura 5 para la orientación correcta del brazo de flotador del depósito.

Consulte el manual de servicio para obtener las instrucciones de desmontaje y de limpieza.

FIGURA 5



DESCONEXIÓN DE LOS DISYUNTORES

Los disyuntores protegen los motores y circuitos eléctricos de los daños que pueden causar las situaciones de sobrecarga. Si se desconecta un disyuntor, apague el conmutador de llave principal (A) y retire la llave. A continuación intente determinar la causa. Una vez que se ha corregido el problema, vuelva a instalar el disyuntor apretando el botón hacia adentro. Si el botón no se queda dentro, espere 5 minutos y vuélvalo a intentar. Si el disyuntor se desconecta constantemente, llame a Advance para una revisión.

Posibles causas de la desconexión del disyuntor del circuito de control (21) serían:

- 1 Corto circuito en el cableado - haga que su Técnico de Servicio de Advance revise su máquina

Posibles causas de la desconexión del disyuntor de tracción de la rueda (20) serían:

- 1 Suciedad atascada alrededor del eje de la rueda de tracción.
- 2 Cojinetes del motor de tracción desgastados.
- 3 Uso constante en rampas.

MALA RECOGIDA DE AGUA

- 1 Depósito de recuperación lleno, interruptor de cierre de aspiración activado o sucio
- 2 Sistema de aspiración bloqueado (boquilla y mangueras)
- 3 Mangueras de aspiración desconectadas o dañadas
- 4 Boquilla mal ajustada
- 5 Junta de la tapa del tanque de recuperación dañada

ESTRÍAS DE LA BOQUILLA

- 1 Suciedad debajo de la cuchilla de la boquilla
- 2 Cuchilla de la boquilla gastada, mellada o desgarrada
- 3 Boquilla mal ajustada

MARCAS DE GIRO

- 1 Se utiliza la máquina con los cepillos o las bayetas secos (sin solución limpiadora)
- 2 Cepillos o bayetas incorrectos para la aplicación
- 3 Suciedad atascada en cepillos (o bayetas)

NO HAY FLUJO DE SOLUCIÓN

- 1 Válvula de cierre de la solución (12) cerrada.
- 2 Filtro de la solución (11) obstruido.

NO HAY FLUJO DE DETERGENTE (ECOFLEX)

- 1 Cartucho de detergente vacío.
- 2 Línea de flujo de detergente obstruida o torcida.
- 3 Cableado de la bomba de detergente desconectado o mal conectado.
- 4 Tapa de junta seca en cartucho de detergente sin sellar.

ESPECIFICACIONES TÉCNICAS (según la instalación y comprobaciones de la unidad)

Modelo		34 RST D	34 RST D-C
		34 RST X-D	34 RST X-D-C
Nº Modelo		56315900	56315901
		56381029	56381031
Voltaje, baterías	V	36V	36V
Capacidad baterías	Ah	305	305
Grado de protección		IPX3	IPX3
Nivel de presión sonora (IEC 60704-1)	dB(A)/20µPa	74.5	74.5
Peso bruto	lbs. kg	1,245 / 565	1,245 / 565
Capacidad ascendente			
Transporte		2% (1.15°)	2% (1.15°)
Limpieza		2% (1.15°)	2% (1.15°)
Modelo		34 RST D-C Strainer	34 RST D-C Battery Water Kit
Nº Modelo		56315902	56315903
Voltaje, baterías	V	36V	36V
Capacidad baterías	Ah	305	305
Grado de protección		IPX3	IPX3
Nivel de presión sonora (IEC 60704-1)	dB(A)/20µPa	74.5	74.5
Peso bruto	lbs. kg	1,245 / 565	1,245 / 565
Capacidad ascendente			
Transporte		2% (1.15°)	2% (1.15°)
Limpieza		2% (1.15°)	2% (1.15°)

X = EcoFlex(inyección química) (**34 RST X-D-C**)

-C = Cargador a bordo (**34 RST D-C**)



**Nilfisk
Advance**

setting standards

Nilfisk-Advance, Inc.
14600 21st Avenue North
Plymouth, MN 55447-3408
www.nilfisk-advance.com
Phone: 800-989-2235
Fax: 800-989-6566
©2010 Nilfisk-Advance, Inc.