

Convertamatic™ 260B

Hydro-Retriever™ 260BHD



PARTS LIST

Advance MODELS 56372470(260B)

56372480(260BHD / OBSOLETE)

This parts list is for machines after serial number 1122125



Advance

by Nilfisk-Advance

revised 10/02 Form Number 56042307

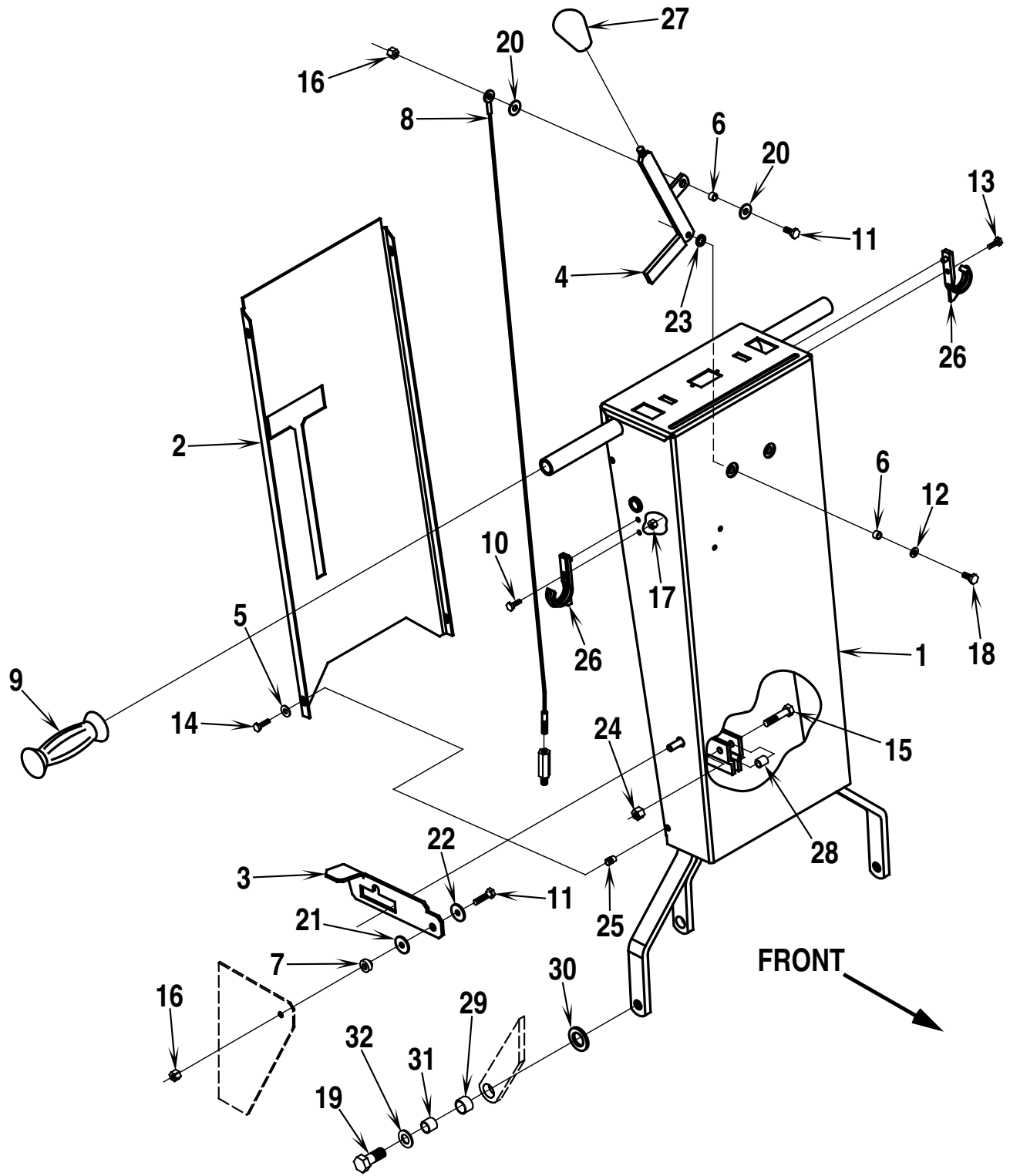
TABLE OF CONTENTS

<u>DESCRIPTION</u>	<u>PAGE</u>
Control Handle System	1-2
Chassis / Battery Case Systems	3-4
Skirt Systems	5-6
Squeegee System	7-8
Wheel Drive System	9-10
Vacuum Motor System	11-12
Brush Lift System	13-14
Brush Drive System	15-16
Pads	16
Recovery System	17-18
Solution System	19-20
Decal System	21-22
Electrical System	23-24
Wiring Diagram	25-26

WHEN ORDERING PARTS

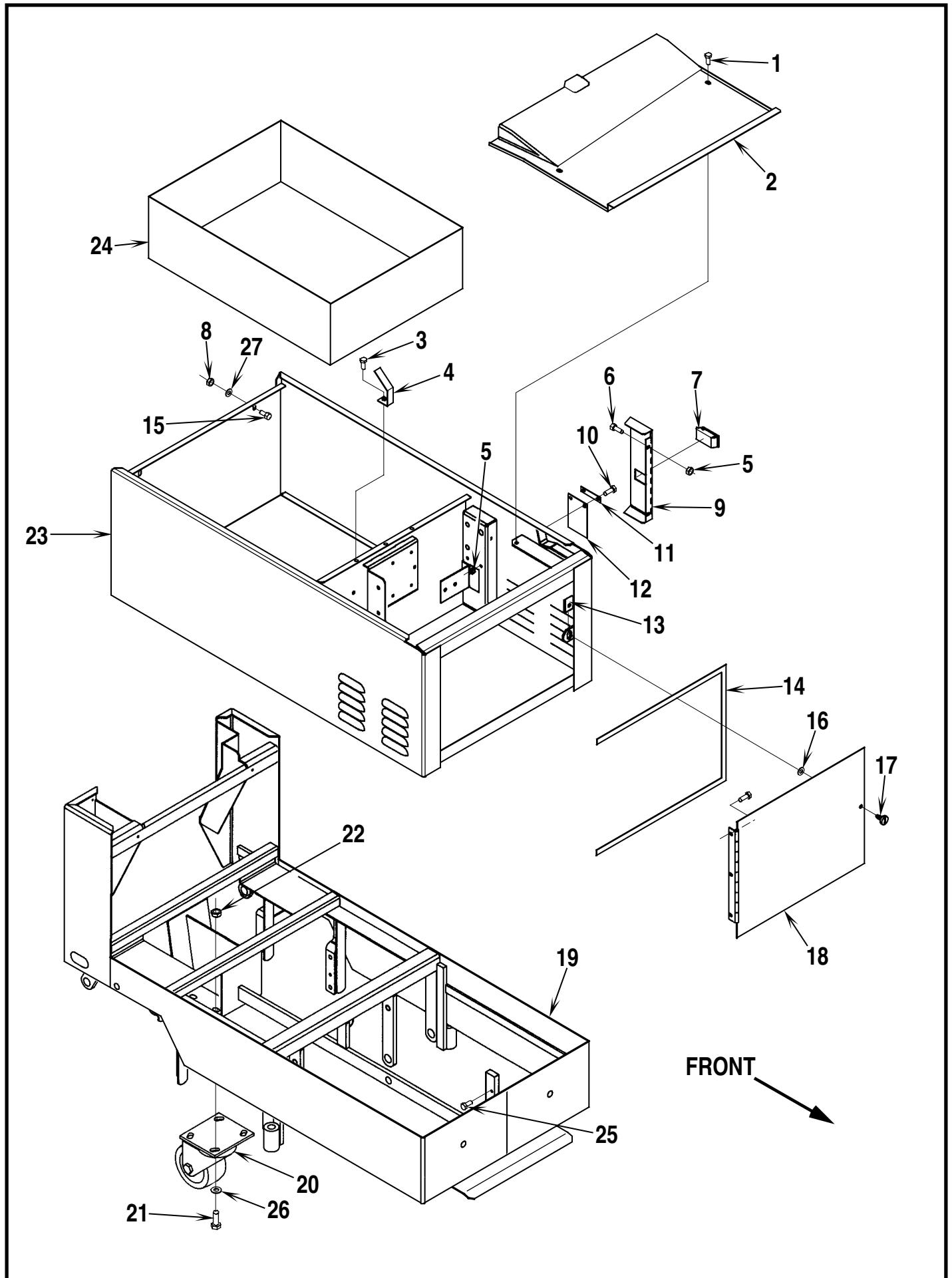
- * Use the 8 digit numbers from the "Ref. No." columns in this parts list.
- * Specify the model and serial number of the machine.
- * Use the space below to record the model and serial number for future reference.

Model _____ Serial No. _____



HANDLE SYSTEM

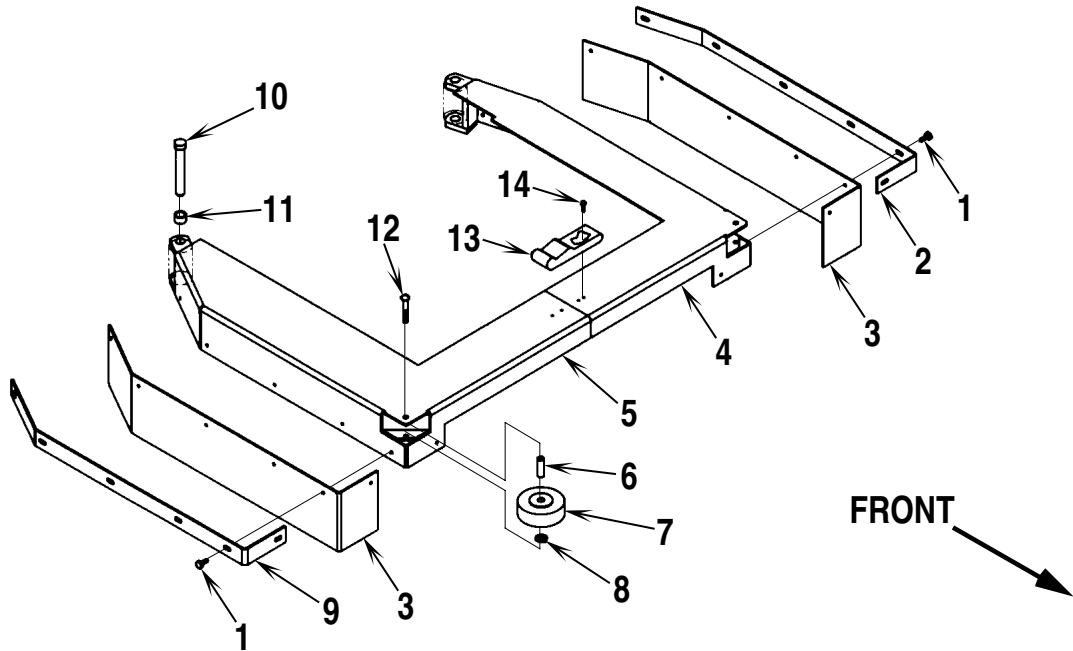
Item	Ref. No.	Qty	Description
1	56372138	1	Handle
2	56372140	1	Panel, Cover
3	56372141	1	Latch, Handle
4	56372638	1	Lever
5	56002875	4	Wsh, Flt SAE SS #8
6	56206784	2	Bushing
7	56384708	1	Bushing
8	56384909	1	Wire Rope
9	56388545	2	Grip, Handle
10	56001993	1	Scr, Pan Phil 10-24 x .50
11	56001821	2	Scr, Hex Hd 1/4-20 x .88
12	56002098	1	Wsh, Flt SAE 1/4
13	56002124	1	Scr, Pan Phil 10-24 x .62
14	56002874	4	Scr, Hex Hd SS 8-32 x .75
15	56002094	2	Scr, Hex Hd 5/16-18 x 1.50
16	56002708	2	Nut, Hex Nyl Loc 1/4-20
17	56002832	2	Nut, Hex Nyl Loc-Thin 10-24
18	56002922	1	Scr, Hex Hd Loc 1/4-20 x .62
19	56003022	2	Scr, Hex Hd Loc 1/2-13 x 1.25
20	56009025	2	Wsh, Flt .26 x .75 x .03
21	56009024	1	Washer, Bowed .375
22	56009002	1	Wsh, .26 x .90 x .06
23	56009023	1	Wsh, Wave .375
24	56002826	2	Nut, Hex Nyl Loc-Thin 5/16-18
25	56009027	4	Nutsert 8-32
26	56324349	2	Hook
27	56364527	1	Knob
28	56365088	2	Bushing
29	56367168	2	Bearing
30	56009022	2	Wsh, Flt .75 x 1.25 x .12
31	56367206	2	Bushing
32	56009017	2	Wsh, Flt .51 x .94 x .07



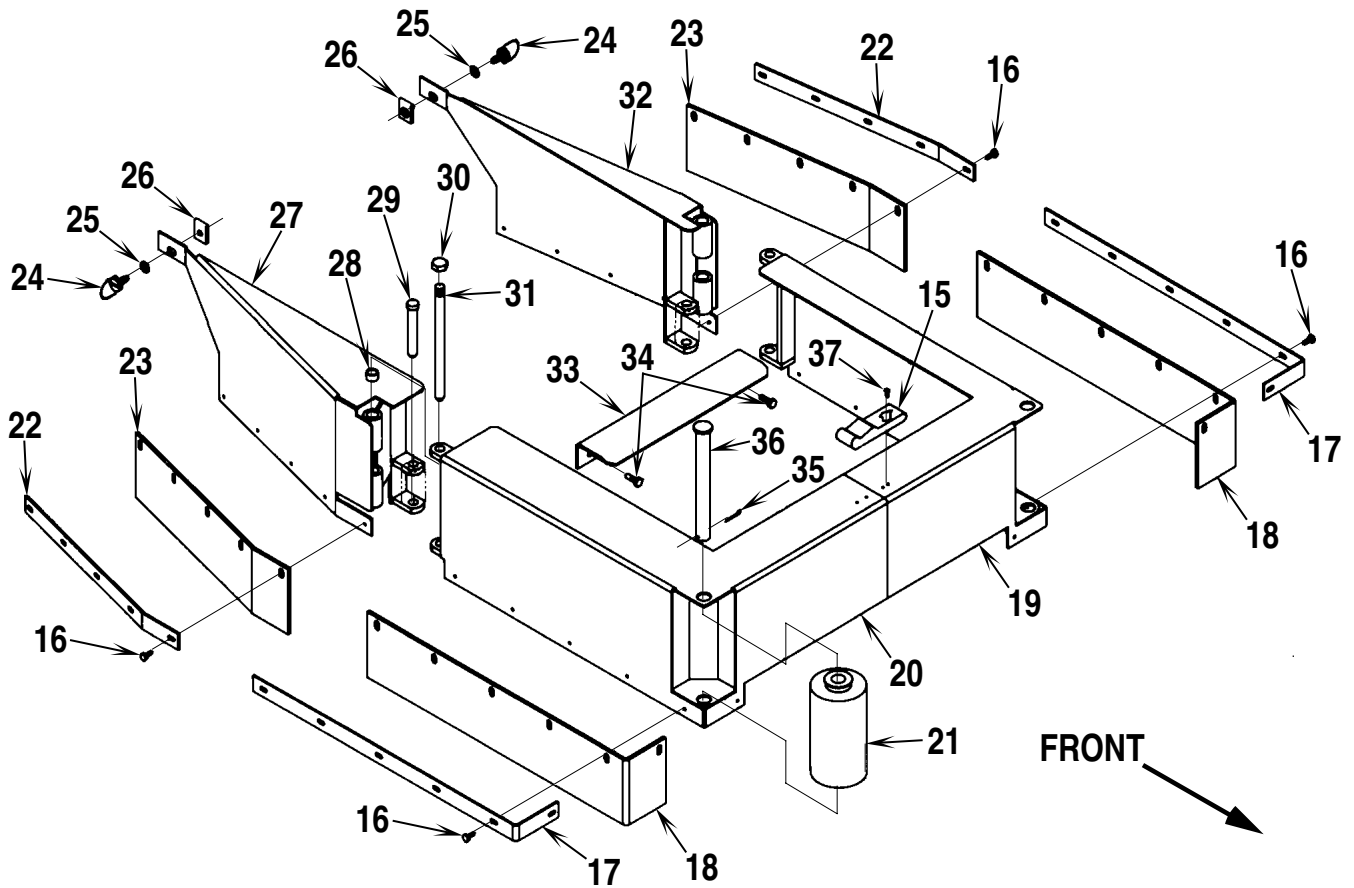
CHASSIS AND BATTERY CASE SYSTEM

Item	Ref. No.	Qty	Description
1	56009033	2	Scr, Hex Thd Form 1/4-20 x .50
2	56372134	1	Electrical Cover
3	56009018	1	Scr, Hex Thd Form 1/4-20 x .75
4	56372172	1	Bracket
5	56002832	4	Nut, Hex Nyl Loc 10-24
6	56002503	2	Scr, Hex Hd 10-24 x .50
7	56393358	1	Slide Latch
8	56002708	2	Nut, Hex Nyl Loc 1/4-20
9	56393362	1	Door
10	56002829	2	Scr, Hex Hd 10-24 x .62
11	56324085	1	Strap
12	56324086	1	Flap
13	56491326	1	Receptacle
14	56200754	38"	Gasket (98 cm)
15	56002784	2	Scr, Flt Phil 1/4-20 x .75
16	56448108	1	Retainer
17	56448104	1	Fastener
18	56372135	1	Door
19	56372209	1	Chassis
20	56365555	1	Caster
	56365742		Replacement Wheel for 56365555
21	56002663	4	Scr, Hex Hd 3/8-16 x 1.00
22	56002769	4	Nut, Hex Nyl Loc 3/8-16
23	56372104	1	Battery Housing
24	56372922	1	Plastic Tray
25	56009012	4	Scr, Hex Thd Form 10-24 x .38
26	56002063	4	Wsh, Flt SAE 3/8
27	56002098	2	Wsh, Flt SAE 1/4

260B



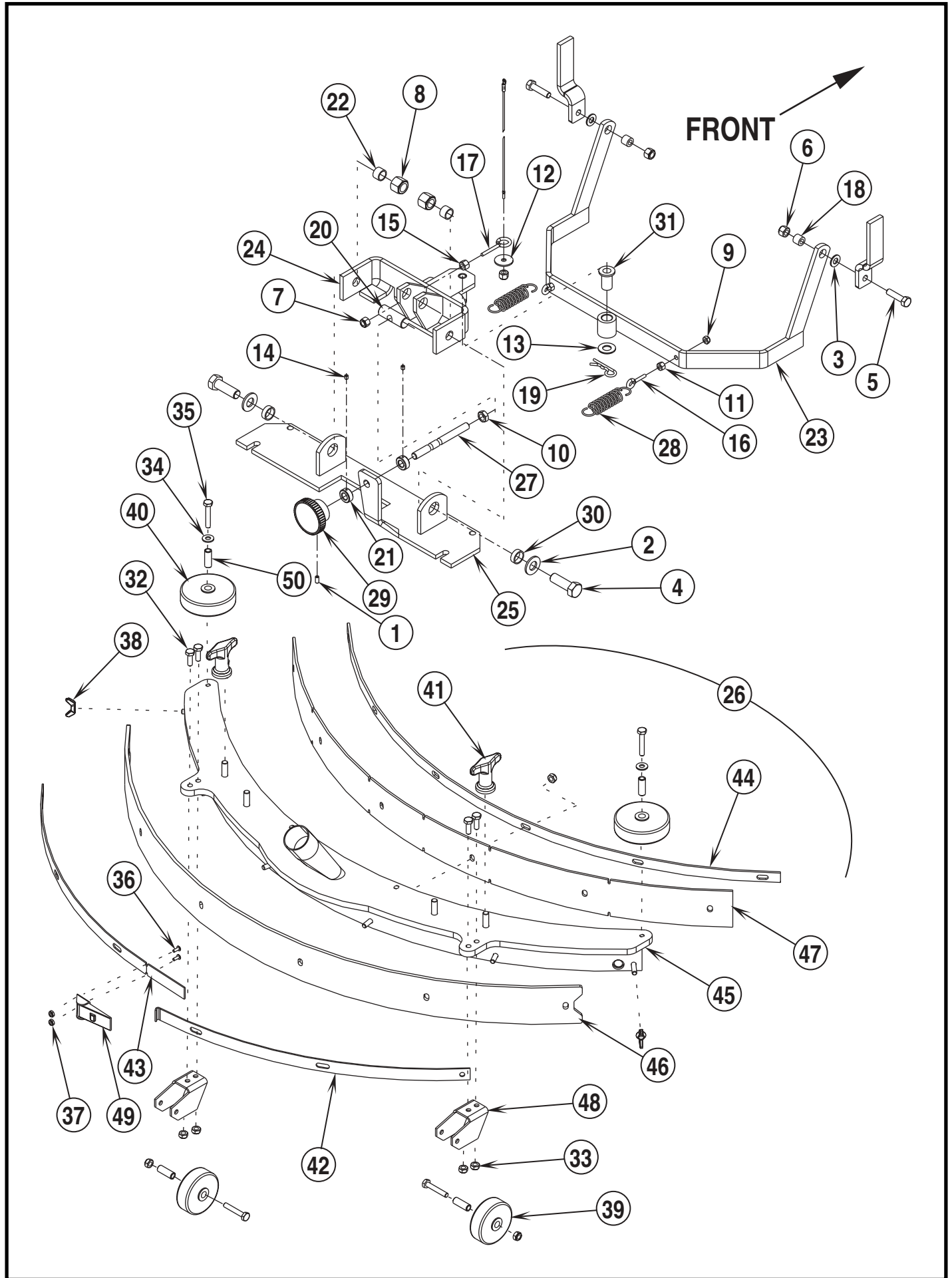
260BHD



SKIRT SYSTEMS

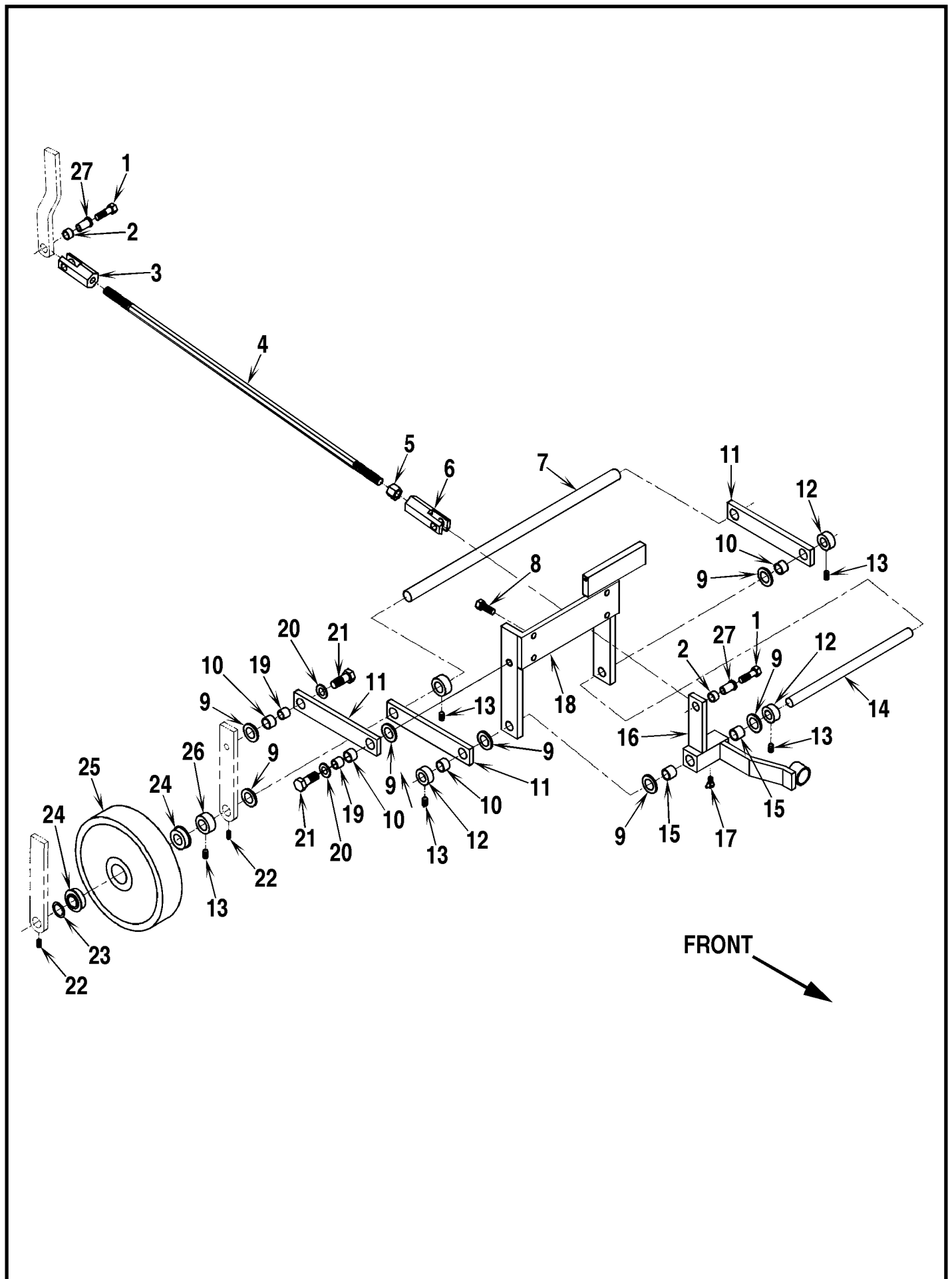
Item	Ref. No.	Qty	Description
Skirt System 260B			
1	56002683	12	Scr, Hex Thd Form 10-24 x .50
2	56372151	1	Left Strap
3	56551127	2	Skirt
4	56372168	1	Left Splash Guard
5	56372169	1	Right Splash Guard
6	56360139	2	Bushing
7	56324350	2	Wheel
8	56009047	2	Washer
9	56372144	1	Right Strap
10	56360147	2	Pin
11	56366633	4	Bearing
12	56002537	2	Scr, Hex Thd Form 1/4-20 x 1.50
13	56462316	1	Latch
14	56002505	4	Scr, Hex Thd Form 6-32 x .38
Skirt System 260BHD			
15	56462316	1	Latch
16	56002683	22	Scr, Hex Thd Form 10-24 x .50
17	56372152	2	Front Strap
18	56372876	2	Front Skirt
19	56372292	1	Left Splash Guard
20	56372288	1	Right Splash Guard
21	56372740	2	Roller Bumper
*	56362352	4	Bearing
22	56372936	1	Right Rear Strap
23	56372920	2	Rear Skirt
24	56448104	2	Screw Fastener
25	56448108	2	Retainer Washer
26	56468960	2	Screw Receptacle
27	56372280	1	Right Rear Splash Guard
28	56372201	8	Bearing
29	56360147	2	Pin
30	56372880	2	Nut, Cap 1/2-13
31	56372878	2	Pin
32	56372284	1	Left Rear Splash Guard
33	56372294	1	Bracket
34	56002514	2	Scr, Hex Thd Form 1/4-20 x .75
35	56002529	2	Cotter Pin
36	56372882	2	Pin
37	56002505	4	Scr, Hex Thd Form 6-32 x .38

* = Not Shown



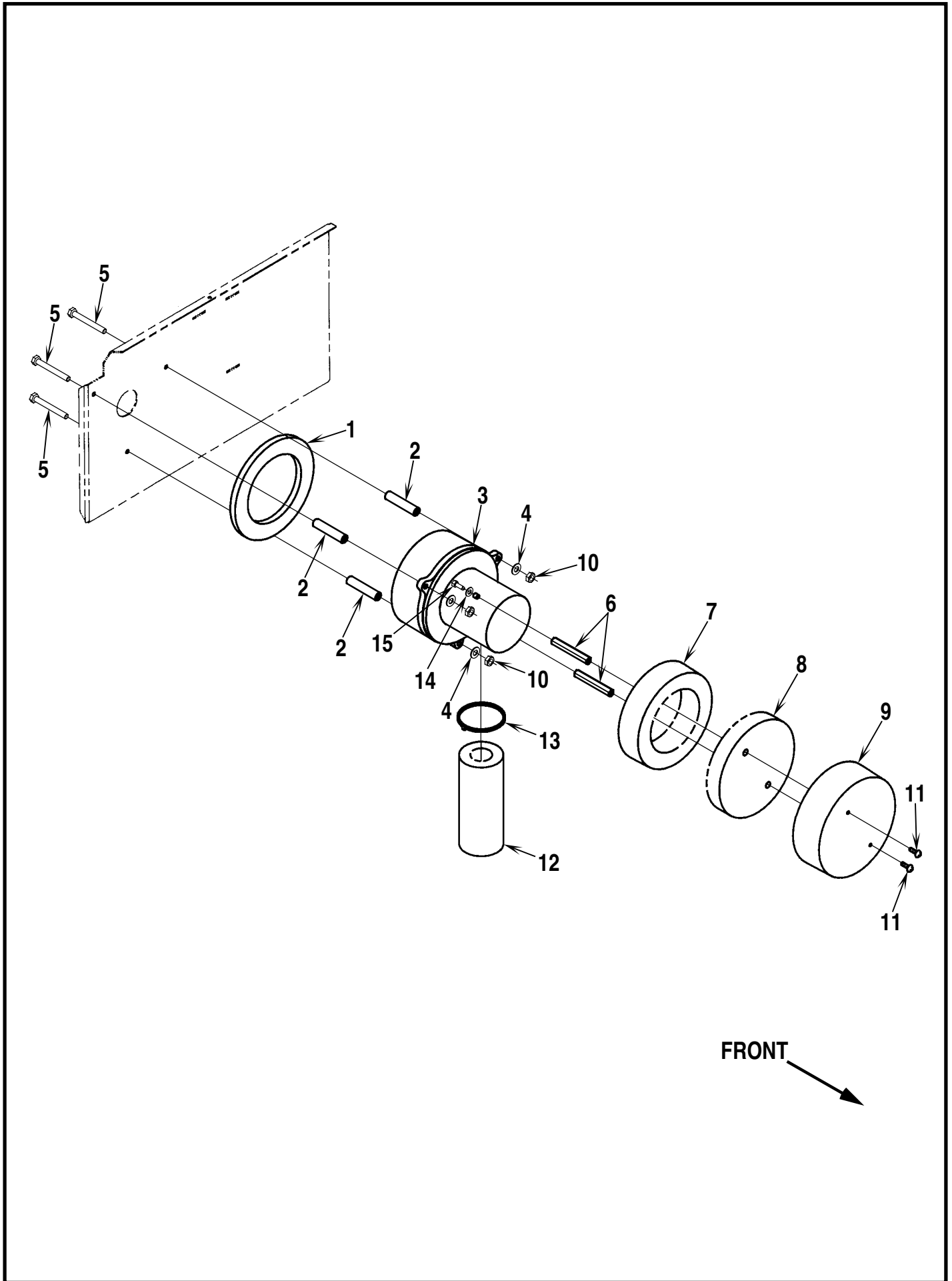
SQUEEGEE SYSTEM

Item	Ref. No.	Qty	Description	Item	Ref. No.	Qty	Description
1	56003123	1	Scr, Soc Set Loc 10-24 x .38		56391281	1	Squeegee Assembly
2	56001879	2	Wsh, Flt SAE 1/2	32	56002807	4	Scr, Hex Hd SS 1/4-20 x .75
3	56001939	2	Wsh, Flt SAE 5/16	33	56002850	12	Nut, Hex Nyl Loc-Thin SS 1/4-20
4	56001968	2	Scr, Hex Hd 1/2-13 x 1.50	34	56002859	2	Wsh, Flt SAE SS 1/4
5	56002187	2	Scr, Hex Thd to Hd 5/16-18 x 1.25	35	56002901	4	Scr, Hex Hd SS 1/4-20 x 1.50
6	56002701	2	Nut, Hex Nyl Loc 5/16-18	36	56002909	2	Scr, Pan Phil SS 6-32 x .38
7	56002708	2	Nut, Hex Nyl Loc 1/4-20	37	56002964	2	Nut, Hex Nyl Loc-Thin SS 6-32
8	56002770	2	Nut, Hex Nyl Loc 1/2-13	38	56009048	2	Nut, Wing Loc 1/4-20
9	56002832	2	Nut, Hex Nyl Loc-Thin 10-24	39	56324350	2	Wheel
10	56003015	1	Nut, Hex Jam SS 3/8-16	40	56324499	2	Wheel
11	56009009	2	Nut, Hex Machine 10-24	41	56370711	2	Nut, Thumb
12	56009060	1	Wsh, Flt SS .26 x 1.00 x .07	42	56391286	1	Strap, Rear-Right
13	56009068	1	Wsh, Flt SAE 7/16	43	56391288	1	Strap, Rear-Left
14	56009084	2	Scr, Soc Set Loc 10-24 x .19	44	56391290	1	Strap, Front
15	56009179	1	Nut, Hex Machine 1/4-20	45	56391292	1	Squeegee Tool
16	56009202	2	Bolt, Eye 10-24 x .62	46	56391333	1	Blade, Rear (standard)
17	56009220	1	Bolt, Eye 1/4-20 x 1.38		56391343	1	Blade, Rear (oil resistant)
18	56244941	2	Bushing	47	56391334	1	Blade, Front (standard)
19	56003222	1	Pin, Cotter Hair		56391355	1	Blade, Front (oil resistant)
20	56324369	1	Pin	48	56409656	2	Bracket, Wheel
21	56331076	2	Collar	49	56471194	1	Latch
22	56360627	2	Bushing	50	56471220	4	Bushing
23	56372269	1	Linkage				
24	56372271	1	Mount		56391340	1	Standard Squeegee Blade Kit
25	56372289	1	Mount		56391342	1	Oil Res. Squeegee Blade Kit
26	56391281	1	Squeegee Assy (#32-50)				
27	56391855	1	Rod, Adjuster				
28	56470672	2	Spring				
29	56475480	1	Knob				
30	56478781	2	Bearing, Sleeve				
31	56492471	1	Bearing, Flange				



WHEEL DRIVE SYSTEM

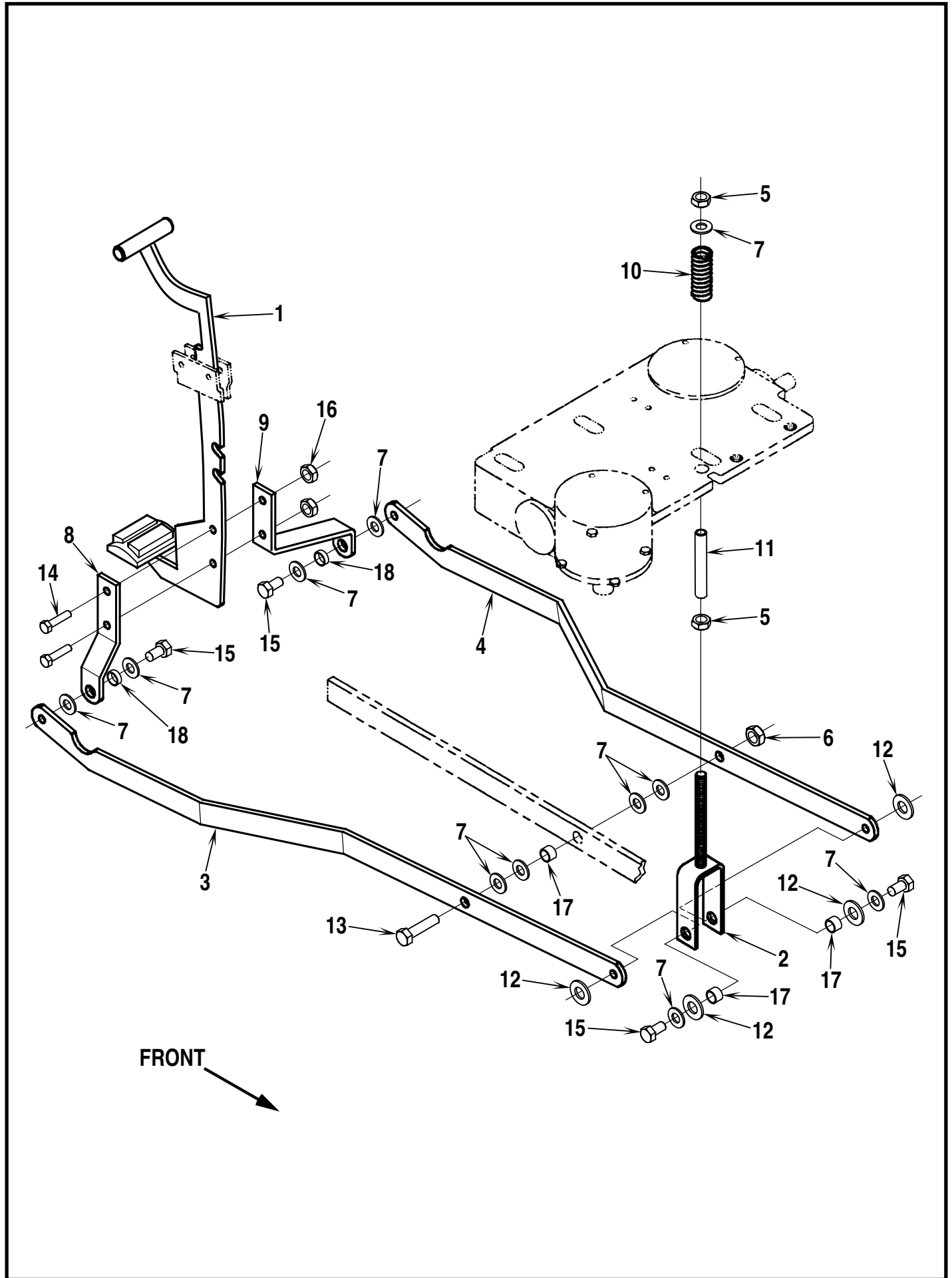
Item	Ref. No.	Qty	Description
1	56003033	2	Scr, Hex Loc 3/8-16 x 1.38
2	56366633	2	Bearing
3	56366617	1	Right Yoke
4	56372005	1	Drive Adjust Rod
5	56002682	1	Nut, Jam 1/2-13
6	56366609	1	Left Yoke
7	56372196	1	Axle
8	56002947	4	Scr, Hex Loc 3/8-16 x 1.00
9	56009022	10	Washer
10	56367168	6	Bearing
11	56372708	4	Drive Unit Arm
12	56367354	3	Collar
13	56002086	7	Scr, Soc Set Loc 5/16-18 x .25
14	56367346	1	Shaft
15	56367389	2	Bearing
16	56366581	1	Lever
17	56101753	1	Grease Fitting
18	56550569	1	Bracket
19	56367206	4	Bushing
20	56009017	8	Washer
21	56003022	4	Scr, Hex Loc 1/2-13 x 1.25
22	56002119	4	Scr, Soc Set Loc 1/4-20 x .25
23	56009021	2	Spring Washer
24	56362352	4	Bearing
25	56377961	2	Wheel
	56377945	A/R	Wheel Assembly (Items 24-25)
26	56367095	4	Collar
27	56366625	2	Bushing, Flange



VACUUM MOTOR SYSTEM

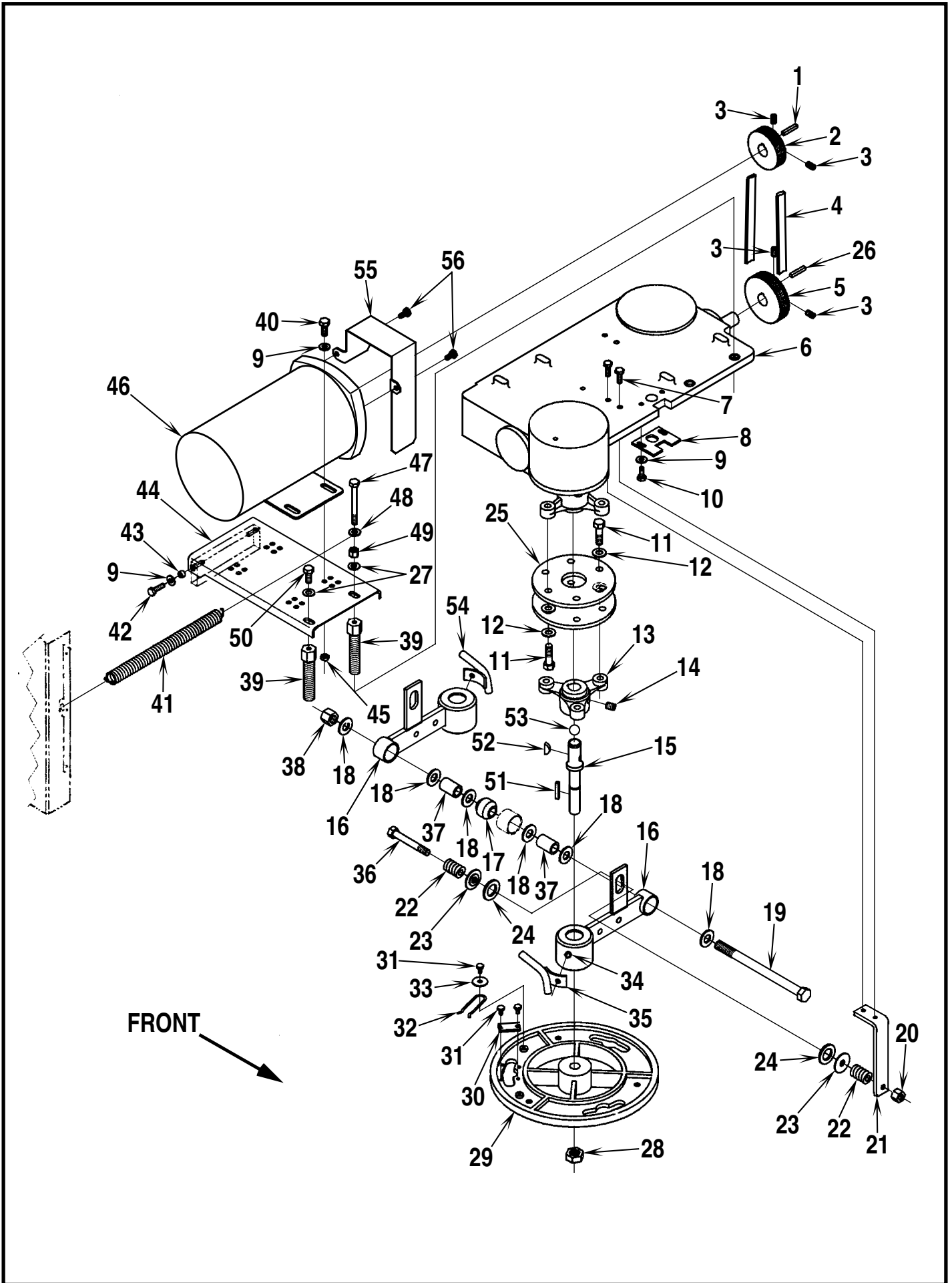
Item	Ref. No.	Qty	Description
1	56385437	1	Gasket
2	56324462	3	Stand Off
3	56324189	1	Vacuum Motor
*	56503003	1	Carbon Brush Set For 56324189
4	56002098	3	Wsh, Flt SAE 1/4
5	56002933	3	Scr, Hex Hd 1/4-20 x 3.25
6	56391795	2	Stand Off
7	56391809	1	Foam
8	56391808	1	Foam
9	56391794	1	Cover
10	56002840	3	Nut, Hex Nyl Loc-Thin 1/4-20
11	56009075	2	Scr, Hex Thd Form 8-32 x .38
12	56391807	1	Foam
13	56477613	1	Cable Tie
14	56009056	2	Wsh, Int Shprf #6
15	56002005	2	Scr, Pan Phil 6-32 x .62

* = Not Shown



BRUSH LIFT SYSTEM

Item	Ref. No.	Qty	Description
1	56372281	1	Pedal Assy
	56372279	1	Pedal
	56365002	1	Rubber Pad
2	56372102	1	Yoke
3	56372154	1	Right Arm
4	56372162	1	Left Arm
5	56009016	2	Nut, Hex Jam 1/2-13
6	56002770	1	Nut, Hex Nyl Loc 1/2-13
7	56009017	11	Wsh, Flt Harden
8	56373606	1	Right Plate
9	56373614	1	Left Plate
10	56372129	1	Spring
11	56372110	1	Bushing
12	56002022	4	Wsh, Flt SAE 5/8
13	56002983	1	Scr, Hex Hd 1/2-13 x 2.00
14	56002095	2	Scr, Hex Hd 3/8-16 x 1.50
15	56003032	4	Scr, Hex Hd Loc 1/2-13 x .75
16	56002769	2	Nut, Hex Nyl Loc 3/8-16
17	56360627	3	Bushing
18	56365030	2	Bushing

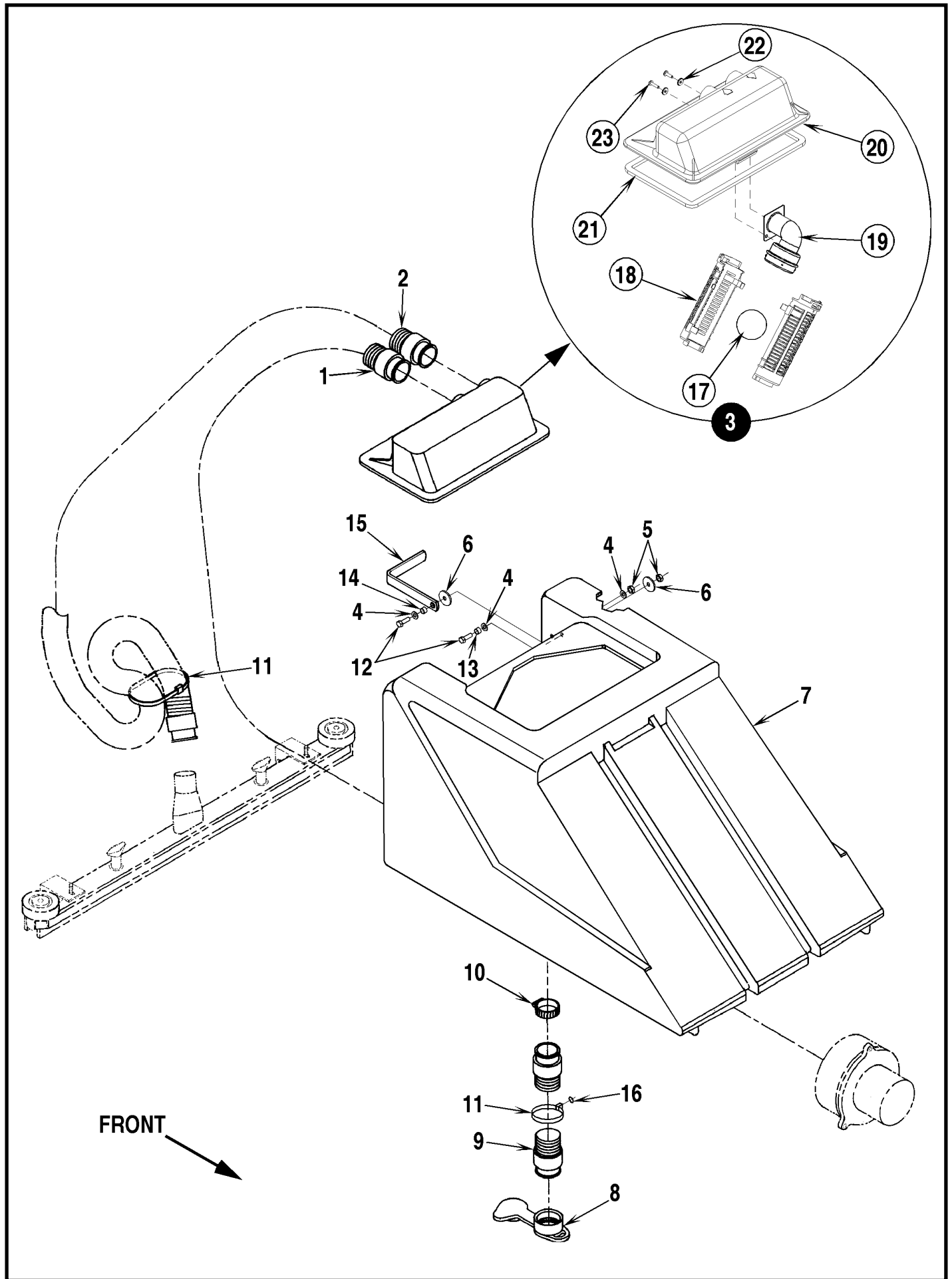


BRUSH DRIVE SYSTEM

Item	Ref. No.	Qty	Description	Item	Ref. No.	Qty	Description
1	56003240	1	Key	35	56369144	1	Solution Pipe
2	56372626	1	Sheave	36	56001892	2	3/8-16 x 2 3/4 Bolt
3	56002021	4	5/16-18 x 1/2 Loc Set Screw	37	56440698	2	Bushing
4	56372242	1	Belt	38	56002770	1	1/2-13 SS Nyl Loc Nut
5	56372891	1	Sheave	39	56378631	2	Screw Stud
6	56550113	1	Gear Box	40	56001821	4	1/4-20 x 7/8 Screw
7	56009018	6	1/4-20 x 3/4 HP-5 Screw	41	56371114	1	Spring
8	56372704	1	Plate	42	56002960	2	1/4-20 x 7/8 Loc Screw
9	56002098	8	1/4 Flt Washer	43	56368989	2	Bushing
10	56002922	2	1/4-20 x 5/8 Loc Screw	44	56372039	1	Mount Plate
11	56003029	12	3/8-16 x 1 1/4 Loc Screw	45	56002708	4	1/4-20 Nyl Loc Nut
12	56002063	12	3/8 SS Flt Washer	46	56393493	1	Brush Motor
13	56378313	2	Universal Casting	*	56393494	1	Carbon Brush Set For 56393493
14	56001958	2	3/8-16 x 1/2 Loc Set Screw	47	56002203	1	5/16-18 x 2 3/4 Bolt
15	56378321	2	Brush Holder Shaft	48	56002220	1	5/16 Flt Washer
16	56372180	2	Arm Assy (includes #34)	49	56002025	1	5/16-18 Jam Nut
*	56550191	2	Arm Weld't.	50	56002956	1	5/16-18 x 3/4 Bolt
*	56114545	2	Bushing	51	56003245	2	Key
*	56378380	4	Bearing	52	56003231	2	Wdf Key
*	56378399	2	Ring, Retaining	53	56366404	2	Ball
*	56378372	2	Bushing	54	56369136	1	Solution Pipe
17	56114545	1	Rubber Bushing	55	56372174	1	Guard, Belt
18	56002168	6	1/2 SS Flt Washer	56	56003039	2	Scr, Hex Loc 1/4-20 x .50
19	56003071	1	1/2-13 x 7 Bolt				<u>Pad Holders and Brushes **</u>
20	56002769	2	3/8-16 Nyl Loc Nut	*	56505760	2	Pad Holder
21	56378437	2	Bracket	*	56505761	2	Magna Grit 46 Brush
22	56171177	4	Spring	*	56505762	2	Dyna Grit 80 Brush
23	56440760	4	Washer	*	56505763	2	AgLite Grit 500 Brush
24	56367184	4	Thrust Bearing	*	56505764	2	Prolene Brush
25	56104647	4	Flex Disc	*	56505765	2	Prolite Brush
26	56003244	1	Key	*	56505766	2	Union Mix Polish Brush
27	56001939	2	Wsh, Flt SAE 5/16	*	56505767	2	MidGrit 240 Brush
28	56378348	2	5/8-18 Loc Nut	*	56505768	2	MidLite 180 Brush
29	56378690	2	Brush Holder				
30	56366455	2	Stop Plate				
31	56009012	6	#10-24 x 3/8 HP-5 Screw				
32	56366463	2	Retainer Spring				
33	56009002	2	Washer				
34	56369128	2	Grease Fitting				

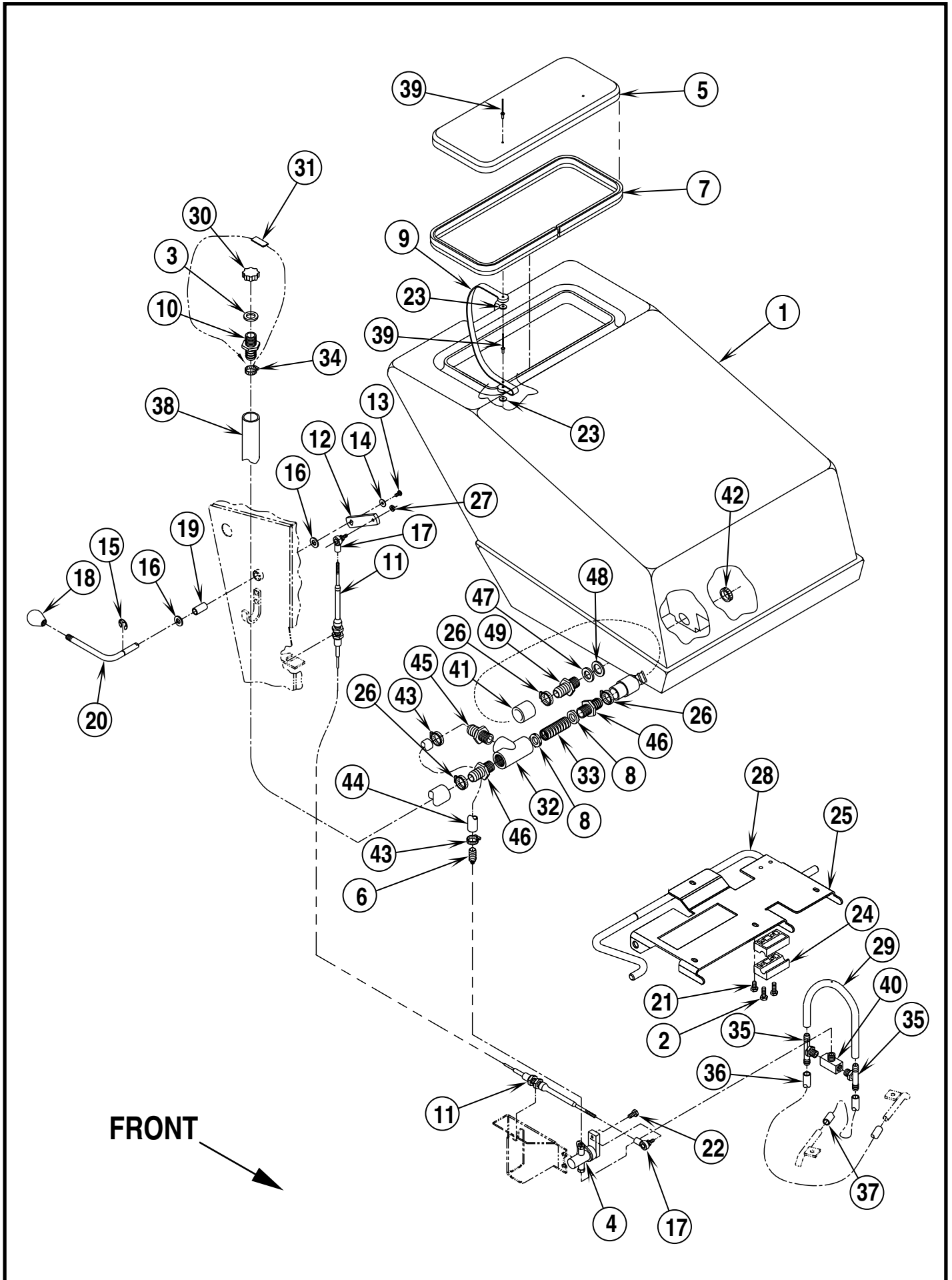
* = Not Shown

** = Not Included



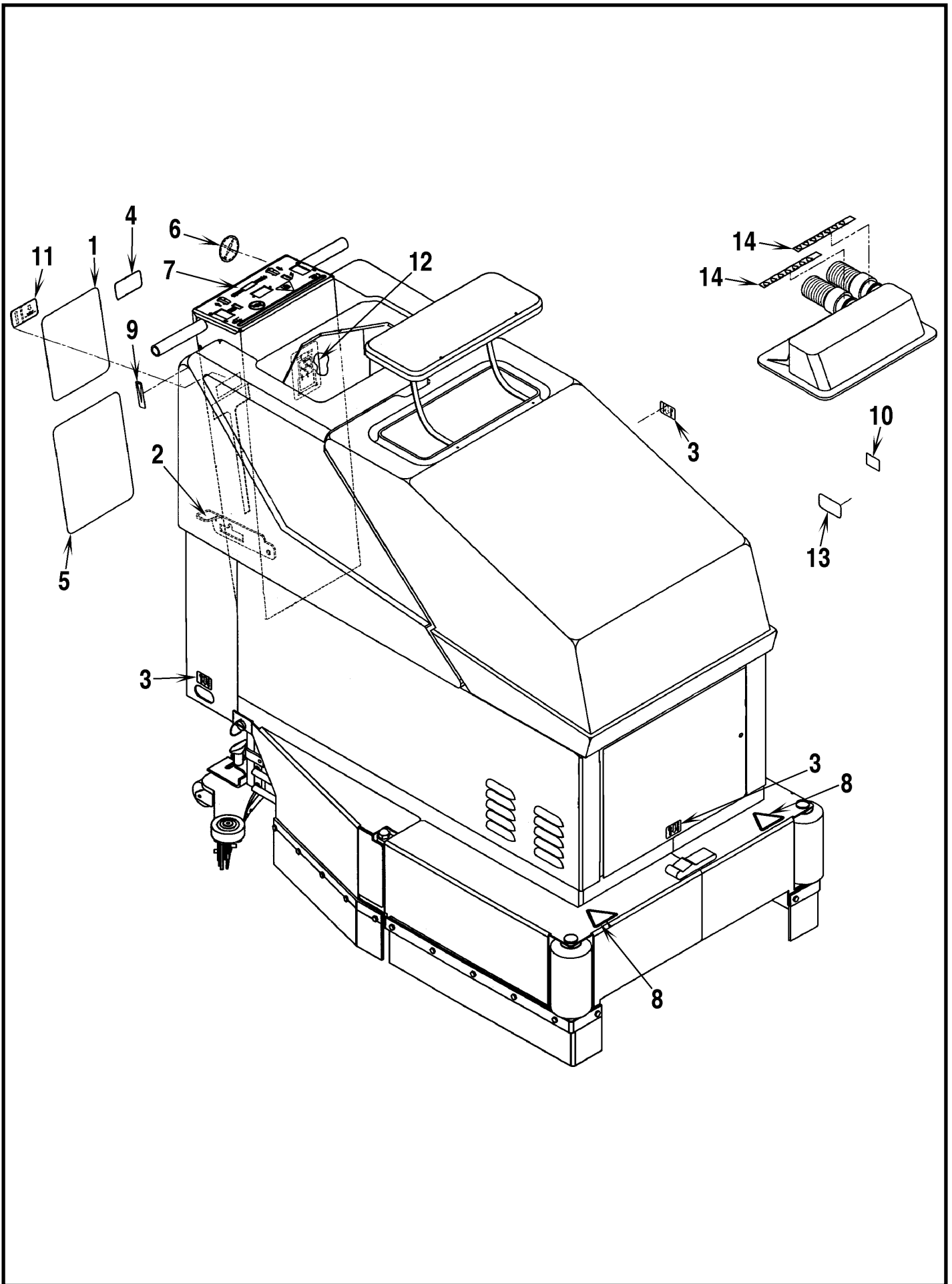
RECOVERY SYSTEM

Item	Ref. No.	Qty	Description
1	56372160	1	Vacuum Hose
2	56324255	1	Squeegee Hose
3	56324396	1	Cover Assembly (#17-23)
4	56002859	6	1/4 SS Flt Washer
5	56002850	4	1/4-20 SS Nyl Loc Nut
6	56009060	4	Wsh, Flt SS .260 x 1.00 x .074
7	56372086	1	Recovery Tank
8	56324180	1	Drain Plug
9	56372216	1	Drain Hose
10	56329145	1	Hose Clamp
11	56477613	2	Cable Tie
12	56002883	4	1/4-20 x 1.00 SS Screw
13	56453849	2	Bushing
14	56368997	2	Bushing
15	56393157	2	Handle Grip
16	56478246	1	Wire Tie
17	56391690	1	Ball
18	56324497	2	Cage, Float
19	56324298	1	Elbow, Float
20	56324395	1	Cover, Tank
21	56262576	1	Gasket
22	56209261	2	Washer, Sealing 9/16
23	56003633	2	Scr, Pan Phil SS Type B 10-16 x .50



SOLUTION SYSTEM

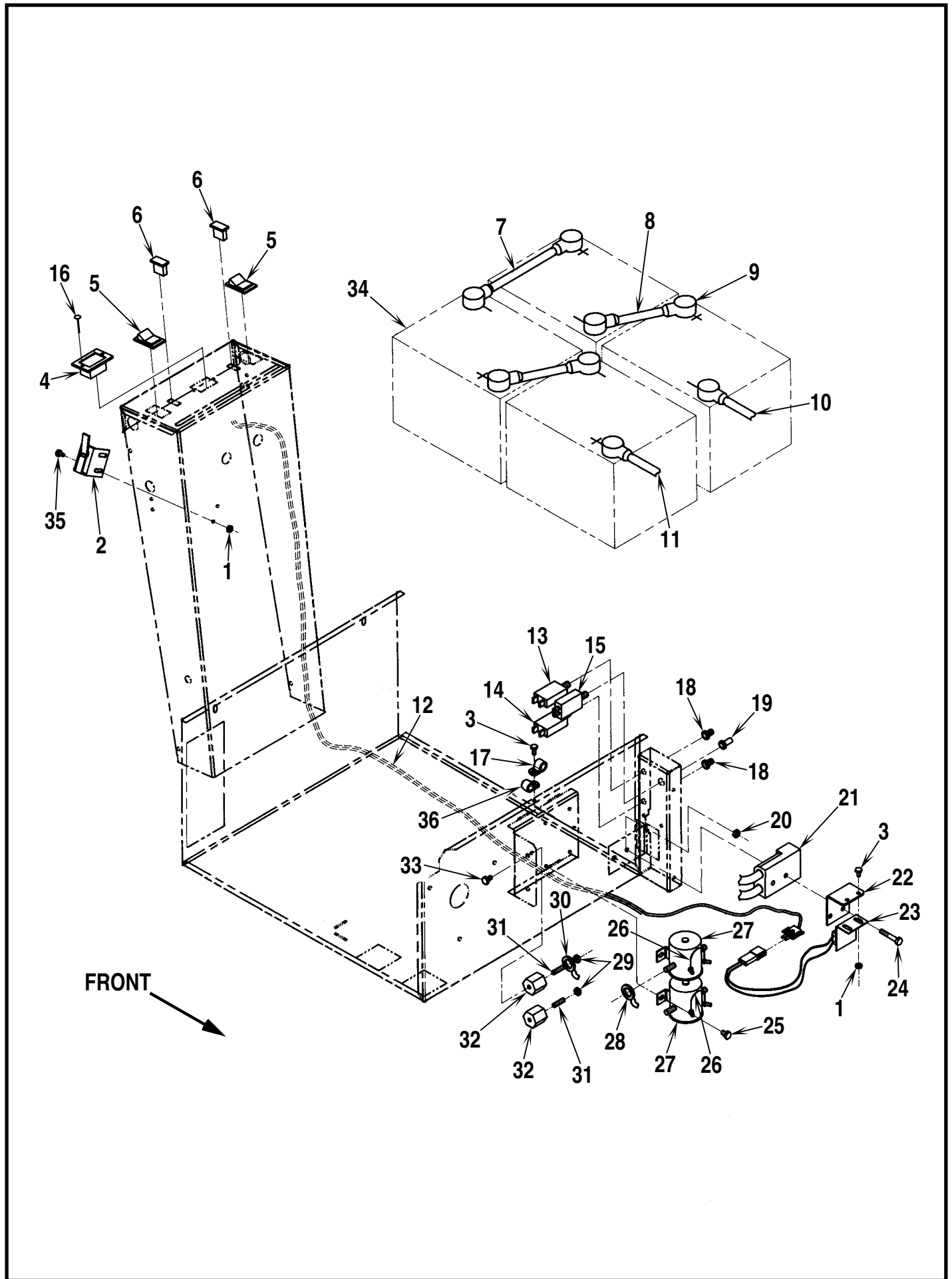
Item	Ref. No.	Qty	Description
1	56372081	1	Solution Tank
2	56002907	1	Scr, Hex Hd SS 1/4-20 x 1.50
3	56368776	1	Washer, Rubber
4	56324512	1	Valve, 2-Way
5	56407277	1	Cover
6	56373456	1	Fitting, 1/4 NPTM x 1/2 Barb
7	56261390	1	Gasket
8	56324313	2	Washer, Rubber
9	56263379	2	Strap
10	56900273	1	Barb
11	56372091	1	Cable, Control
12	56372090	1	Bar, Linkage
13	56002926	1	Scr, Hex Hd Loc 10-24 x .38
14	56001954	1	Wsh, Flt SAE #10
15	56003262	1	Ring, Ret Ext Type E
16	56002063	2	Wsh, Flt SAE 3/8
17	56488290	2	Rod End #10
18	56378534	1	Knob
19	56200972	1	Bearing
20	56324216	1	Rod, Valve Control
21	56003039	4	Scr, Hex Hd Loc 1/4-20 x .50
22	56002922	2	Scr, Hex Hd Loc 1/4-20 x .62
23	56009098	4	Wsh, Flt SS .125 x .500 x .036
24	56393878	2	Block
25	56393880	1	Plate, Tip-Up
26	56112771	3	Clamp, Hose
27	56002873	1	Nut, Hex Nyl Loc 10-32
28	56393879	1	Bar, Tank Support
29	56397301	1	Hose, PVC 3/8
30	56255076	1	Cap
31	56324602	1	Strap
32	56324029	1	Tee, ABS 3/4 NPT
33	56324030	1	Filter
34	56477613	1	Cable Tie
35	56393224	2	Tee, Barb
36	56391802	1	Hose, Spiral 3/8
37	56052887	1	Hose, Spiral 3/8
38	56372345	1	Hose, Spiral 3/4
39	56003293	4	Rivot, Pop A/S .125 x .38/.50
40	56372506	1	Tee, Branch 1/4
41	56372175	1	Hose
42	56393187	1	Nut, Hex 3/4-16 UNF
43	56219932	2	Clamp, Hose
44	56262560	1	Hose, PVC .50 x 2.00
45	56262190	1	Barb, 3/4 NPTM x 1/2
46	56900292	2	Barb, 3/4 NPTM x 3/4
47	56249625	1	Restrainer
48	56154717	1	Wsh, Rubber
49	56393182	1	Barb



DECAL SYSTEM

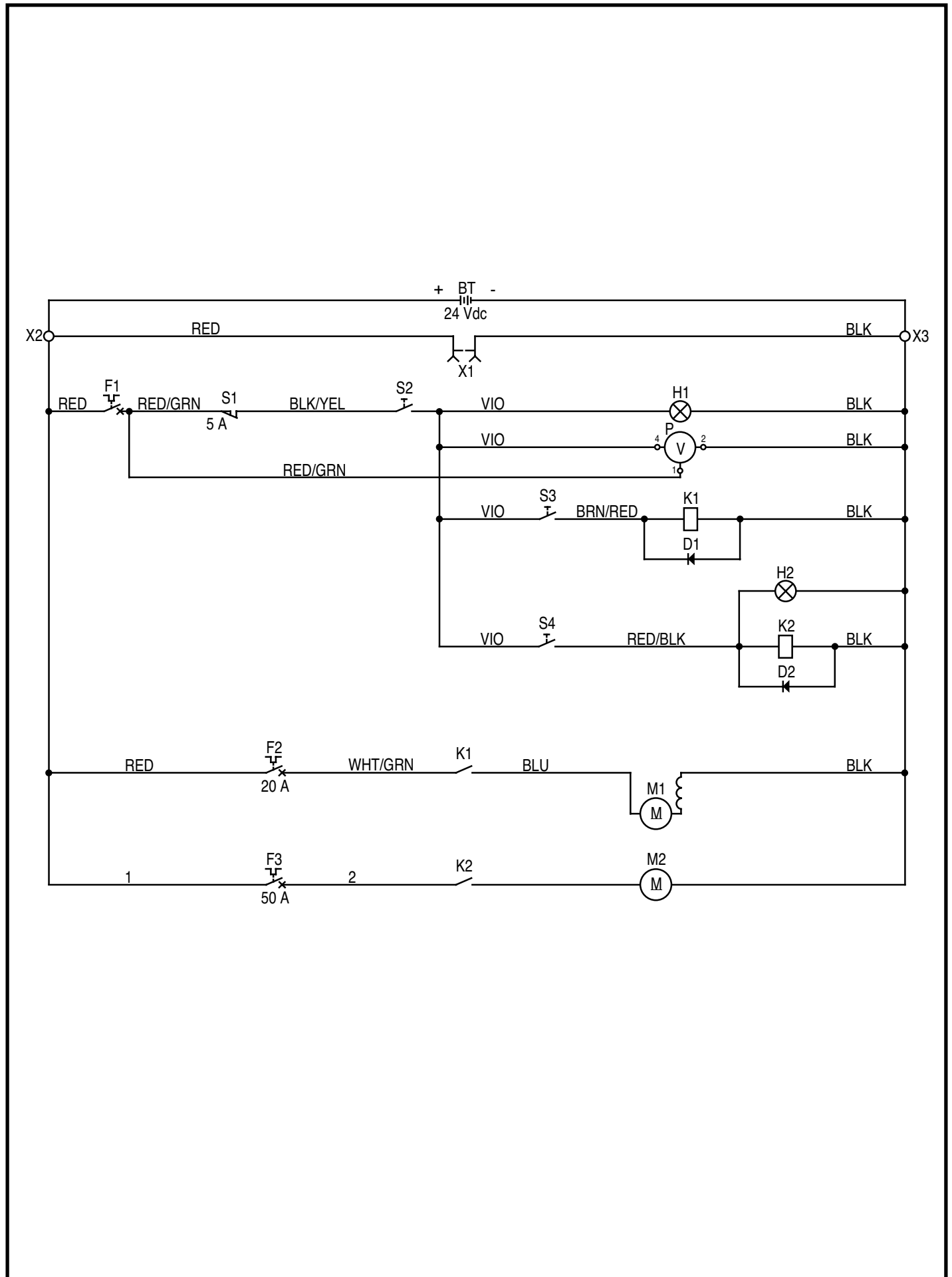
Item	Ref. No.	Qty	Description
1	56014601	1	Decal, Caution
2	56014544	1	Decal, Latch
3	56015370	3	Decal, Tie Down
4	56016010	1	Decal, Wear Items
5	56015459	1	Decal, Wiring Diagram
6	56015470	1	Decal, No Pressure Wash
7	56015485	1	Decal, Control Panel
8	56015506	2	Decal, Warning Brush
9	56016334	1	Decal, Solution Valve
10	56054192	1	Decal, Charger
11	56054195	1	Decal, Brush
12	56015489	1	Decal, Battery
13	56015488	1	Decal, Circuit Breaker
14	56015655	2	Decal, Direction

* = Not Shown



ELECTRICAL SYSTEM

Item	Ref. No.	Qty	Description
1	56002832	4	#10-24 Nyl Loc Nut
2	56372088	1	Waterproof Switch
3	56009039	3	#10-24 x 3/8 Screw
4	56372089	1	Battery Fuel Gauge
5	56393312	2	Rocker Switch
6	56389434	2	Green Lamp
7	56363936	1	Battery Cable TSB 730
8	56363928	2	Battery Cable TSB 730
9	56372673	8	Battery Cable Boot
10	56372526	1	Battery Cable TSB 730
11	56372524	1	Battery Cable TSB 730
12	56372079	1	Wiring Harness
13	56395454	1	Circuit Breaker 20A
14	56387328	1	Circuit Breaker 5A
15	56386725	1	Circuit Breaker 50A
16	56009192	2	Rivot
17	56442011	2	P-Clamp
18	56459367	2	Reset Button Boot
19	56459369	1	Reset Button Boot
20	56002840	2	1/4-20 Nyl Loc Nut
21	56372087	1	Connector
22	56393582	1	Switch Bracket
23	56462362	1	Switch
24	56001833	2	1/4-20 x 1 1/2 Screw
25	56009019	4	1/4-20 x 3/8 HP-5 Screw
26	56389265	2	Diode
27	56468358	2	Solenoid Contactor
28	56388026	1	Cable
29	56002561	2	1/4-20 Jam Nut
30	56388412	1	Cable
31	56009020	2	1/4-20 x 7/8 Stud
32	56469858	2	Insulated Standoff
33	56002933	2	1/4-20 x 3/8 Loc Screw
34	N/A	4	Battery 6V
35	56002900	2	Scr, Pan Phil SS 10-24 x .50
36	56342319	2	P-Clamp



WIRING DIAGRAM

Item	Ref. No.	Qty	Description
BT	N/A		Battery, 24Vdc
D1	56389265	1	Diode
D2	56389265	1	Diode
F1	56387328	1	Circuit Breaker, 5 Amp
F2	56395454	1	Circuit Breaker, 20 Amp
F3	56386725	1	Circuit Breaker, 50 Amp
H1	56389434	1	Lamp, Green Main Power
H2	56389434	1	Lamp, Green Brush
K1	56468358	1	Solenoid Contactor, Vacuum Motor
K2	56468358	1	Solenoid Contactor, Brush Motor
M1	56324189	1	Motor, Vacuum
	56503003	1	Carbon Brush Set For 56324189
M2	56393493	1	Motor, Brush
	56393494	1	Carbon Brush Set For 56393493
P	56372089	1	Meter, Battery
S1	56462362	1	Switch, Charger Interlock
S2	56393312	1	Switch, Main Power
S3	56372088	1	Switch, Vacuum Motor
S4	56393312	1	Switch, Brush Motor
X1	56372087	1	Connector, Charger
X2	56009020	1	Terminal Stud
X3	56009020	1	Terminal Stud



Nilfisk-Advance, Inc.
14600 21st Avenue North
Plymouth, MN, 55447-3408
www.nilfisk-advance.com
Phone: 800-989-2235
Fax: 800-989-6566
©2002 Nilfisk-Advance, Inc.,
Plymouth, MN 55447-3408
Printed in the U.S.A.