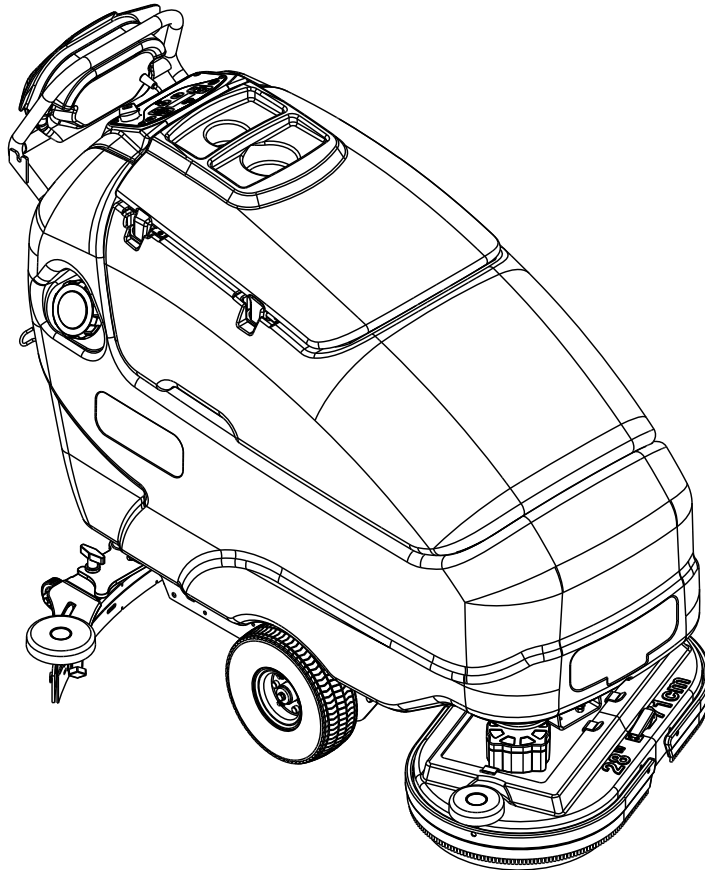


SC750, SC800

SC750 ST, SC800 ST



PARTS LIST

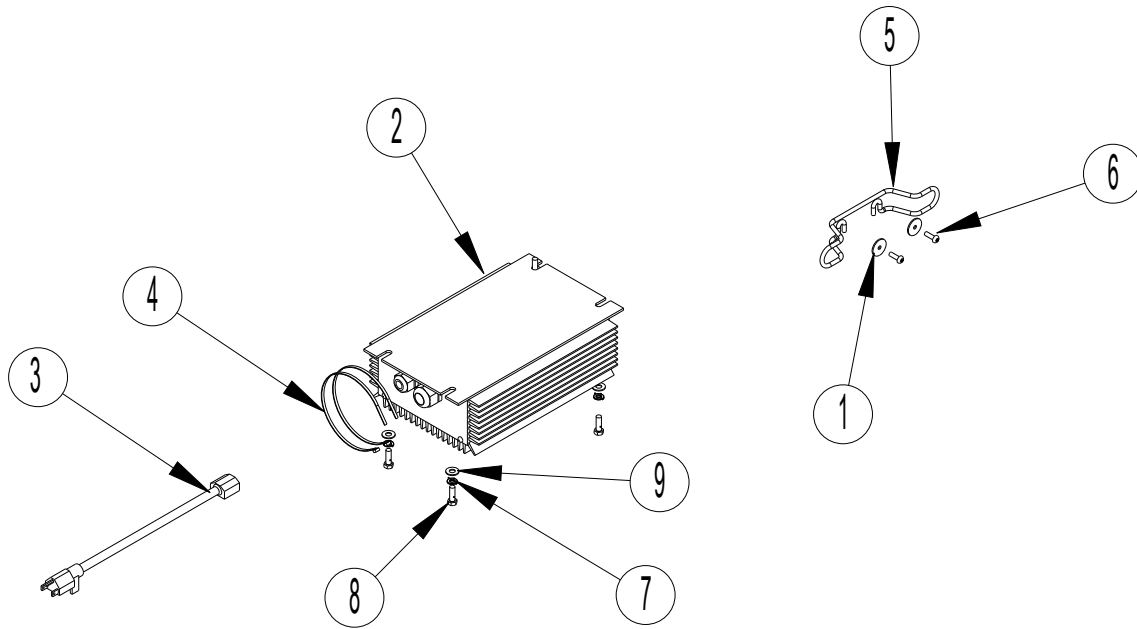
Advance Models: 56112000(SC750-26D), 56112004(SC750-28D)
56112006(SC750-28C), 56112012(SC750 ST-26D)
56112013(SC750 ST-28C), 56112016(SC800-28D)
56112018(SC800-28C), 56112024(SC800-32C)
56112028(SC800-34D), 56112032(SC800 ST-34D)

<u>DESCRIPTION</u>	<u>PAGE</u>
Battery Charger System	3
Chassis System-Disk	4-5
Chassis System-Cylindrical	6-7
Chemical Injection System-EcoFlex™	8
Control System-SC750, SC800	9
Control System-SC750 ST, SC800 ST	10
Decal System.....	11
Electrical System-SC750, SC800	12-13
Electrical System-SC750 ST, SC800 ST	14-15
Recovery System.....	16-17
Scrub System-Disk	18-19
Scrub System-Cylindrical.....	20-21
Solution System.....	22
Squeegee Assy.....	23
Squeegee System	24-25
Ladder Diagram-SC750, SC800	26-27
Ladder Diagram-SC750 ST, SC800 ST	28-29
Optional Kits and Accessories	30
Brush Selector Guide-Disk	31
Brush Selector Guide-Cylindrical	32
Squeegee Blade Selector Guide	33

WHEN ORDERING PARTS

- * Use the part numbers from the "Ref. No." columns in this parts list.
- * Specify the model and serial number of the machine.
- * Use the space below to record the model and serial number for future reference.

Model _____ Serial No. _____



Item	Ref. No.	Qty	Description
1	56009096	2	Wsh, Flt .193 X .875 X .060
2	56112243	1	Battery Charger 24V 25A (A3)
3	56315270	1	Charger Cord, Us
4	56478523	2	Tie, Cable
5	9095149000	1	Cable Support
6	964004	2	Screw M5-.8 X 16mm Pn St Ph
7	980657	4	Washer, Lock 1/4
8	57994a	4	Screw, M6- 1 X 20
9	87026a	4	Washer, 1/4 Flat S.S.

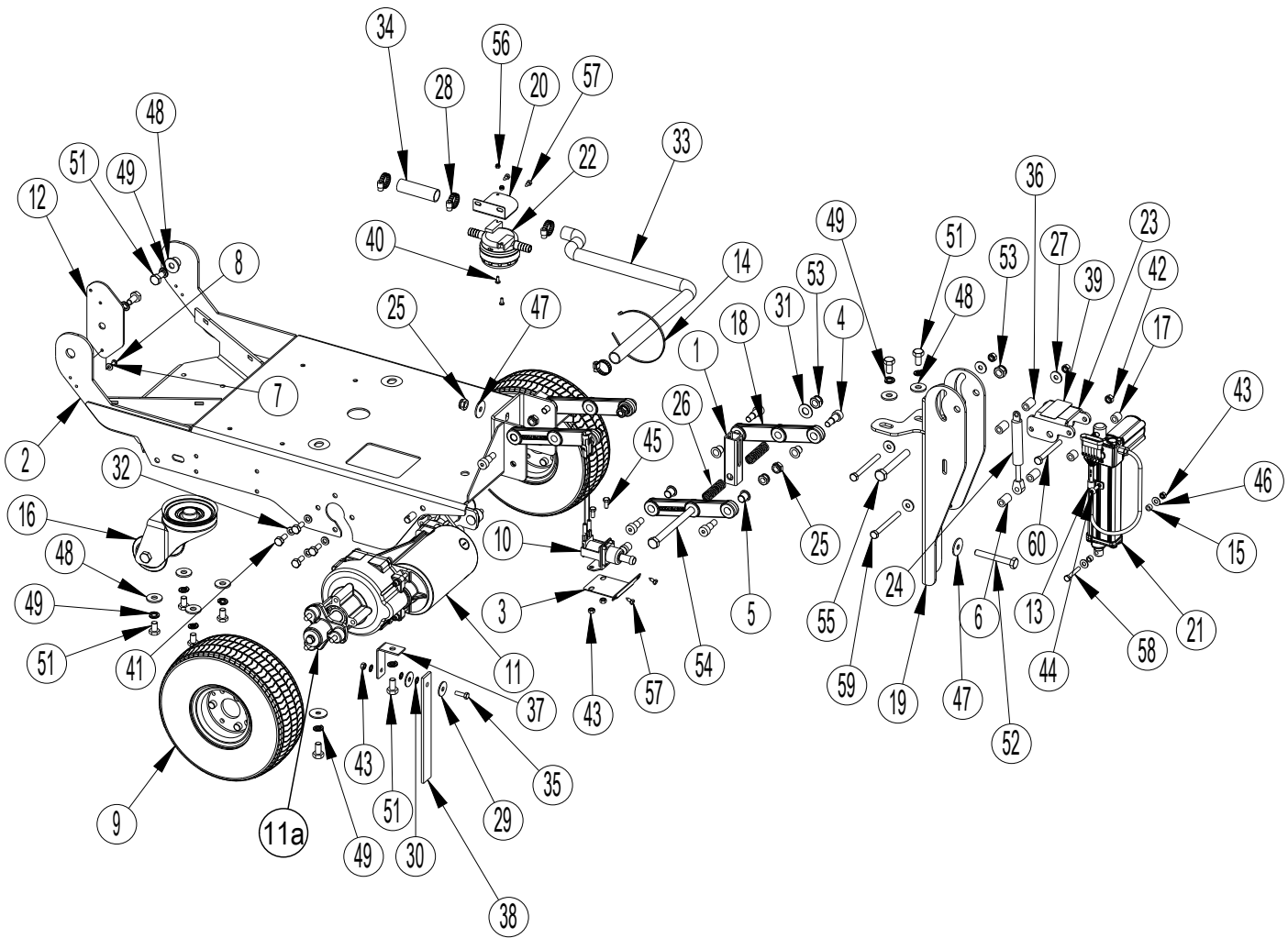
CHASSIS SYSTEM-DISK

10-7

4

SC750, SC800, SC750 ST, SC800 ST

11-2



Item	Ref. No.	Qty	Description	Item	Ref. No.	Qty	Description
1	56109717	1	Tube Jack Motor	31	980648	1	Washer 17/32 X 1 1/16 Plain
2	61931a	1	Chassis, Wldmt.	32	980652	8	Washer, 5/16 Lock
3	61932a	1	Bracket, Solution Valve	33	30828a	1	Hose, Clear X25.00 Long
4	88617a	8	Screw, M10xm12x16mm S.B.S.H.	34	30829a	1	Hose, Clear X 3.00 Long
5	88647a	8	Bushing, Flanged	35	57994a	1	Screw, M6- 1 X 20
6	9096113000	2	Spacer	36	61937a	2	Spacer, .590od X .328id
7	56001954	1	Wsh, Flt Sae #10	37	61949a	1	Bracket, Ground Strap
8	56009030	1	Scr, Pan Phil Thd Form 10-24 X .38	38	69639a	1	Strap, Static
9	56112109	2	Tire	39	71017a	1	Label, Moving Parts
10	56112147	1	Solenoid Valve Assy (L1)	40	80057a	2	Screw, M4-.7x10
11	56112343	1	Transaxle	41	80183a	8	Bolt, M8-1.25 X 20, Hex
11a#	56380158	2	Flange Kit (for 56112343)	42	80198a	9	Nut, M8 -1.25 Nylock S.S.
*#	50981A	1	Motor-Transaxle (for 56112343) (M1)	43	80199a	4	Nut, M6 -1.00 Nylock S.S.
*#	40628A	4	Carbon Brush (for 56112343)	44	80208a	1	Screw, M6 X 1.00 X 10mm Pan Head
12	56112281	1	Connector Bracket	45	80214a	2	Screw, M6 X 1 X 12
13	56323260	1	Clamp, Hose Support	46	87026a	2	Washer, 1/4 Flat S.S.
14	56478523	1	Tie, Cable	47	87054a	3	Washer Fender .375
15	1462258000	2	Spacer 6.1 X 10 X 6.5	48	88611a	7	Washer, Flat M10
16	56112308	1	Caster, Rear	49	88612a	10	Washer, Lock M10
17	9096112000	2	Spacer	51	88614a	10	Screw, M10-1.5 X 20mm
18	9097197000	4	Lever, Brush Head Lift	52	88616a	1	Screw, Hex Hd M10x75
19	9097368000	1	Support, Jack Motor	53	88618a	2	Nut, M12 Nylon Insert
20	9097370000	1	Bracket, Filter	54	88619a	1	Screw, Hex Hd M12x160
21	40280A	1	Actuator (M2)	55	88620a	1	Screw, Hex Hd M12x90
22	9097404000	1	Filter, Water	56	88623a	2	Nut, M4-.7 Nylock Insert
*#	9095215000	1	Filter and Seal (for 9097404000)	57	88624a	4	Screw, M5 X 12mm Hex Self Tap Tri-Lobe
23	9097456000	1	Lever	58	88626a	1	Screw M6-1 X 40mm Hex
24	54689a	1	Gas Spring 500n	59	56003390	2	Screw, M8 X 90 Hex Head
25	80223a	9	Nut, M10-1.5 Nylock	60	88635a	1	Screw, M8 X75 Hex Head
26	E04016	2	Spring				
27	170860	4	Washer, Flat 5/16				
28	722030	4	Clamp, Hose				
29	980205	2	Washer, .31 I.D. X 1.06 O.D.				
30	980614	3	Washer, 1/4" Starlock, External				

* = Optional, Not Included

= Revised or new since last update

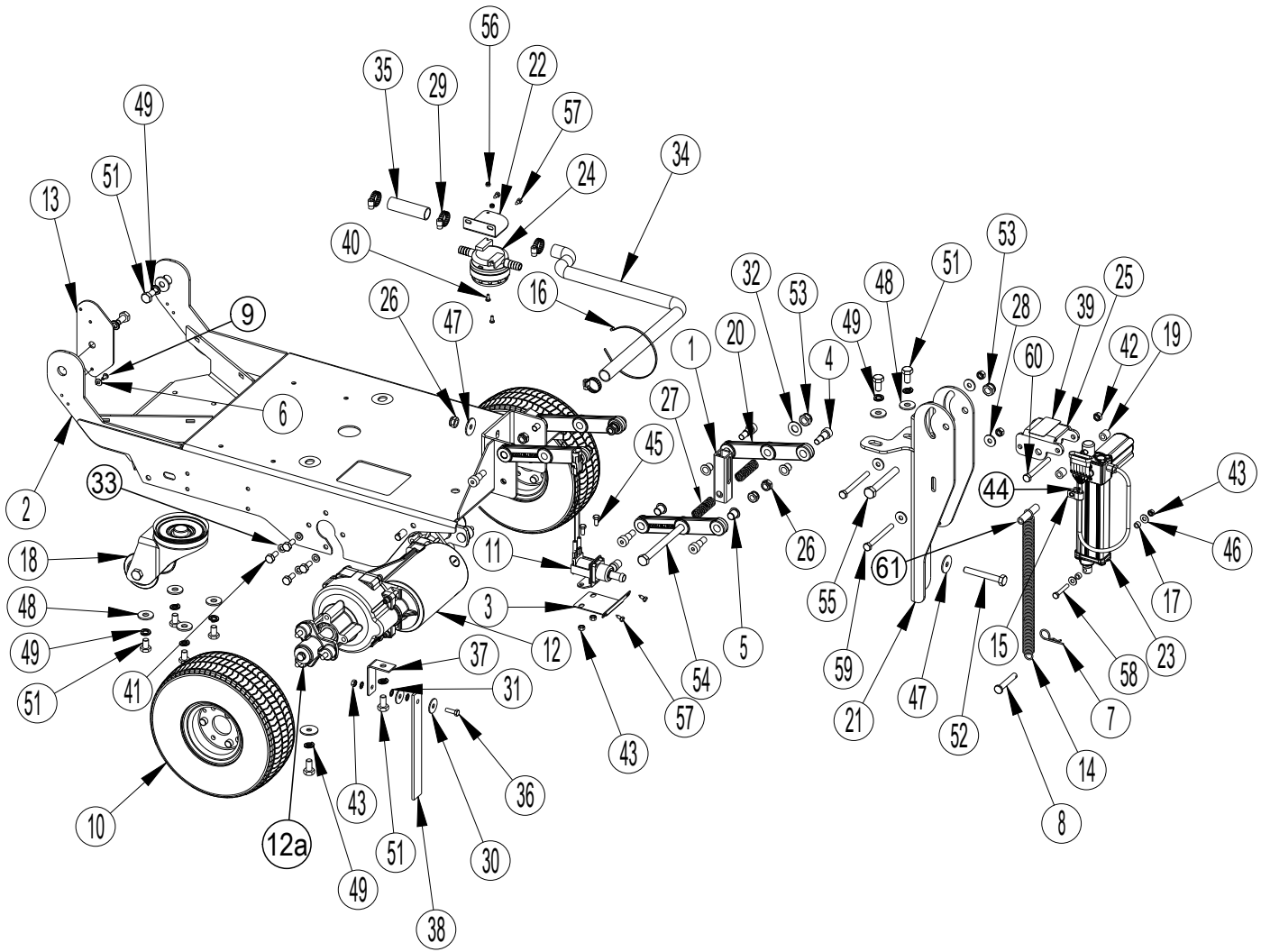
CHASSIS SYSTEM-CYLINDRICAL

10-7

6

SC750, SC800, SC750 ST, SC800 ST

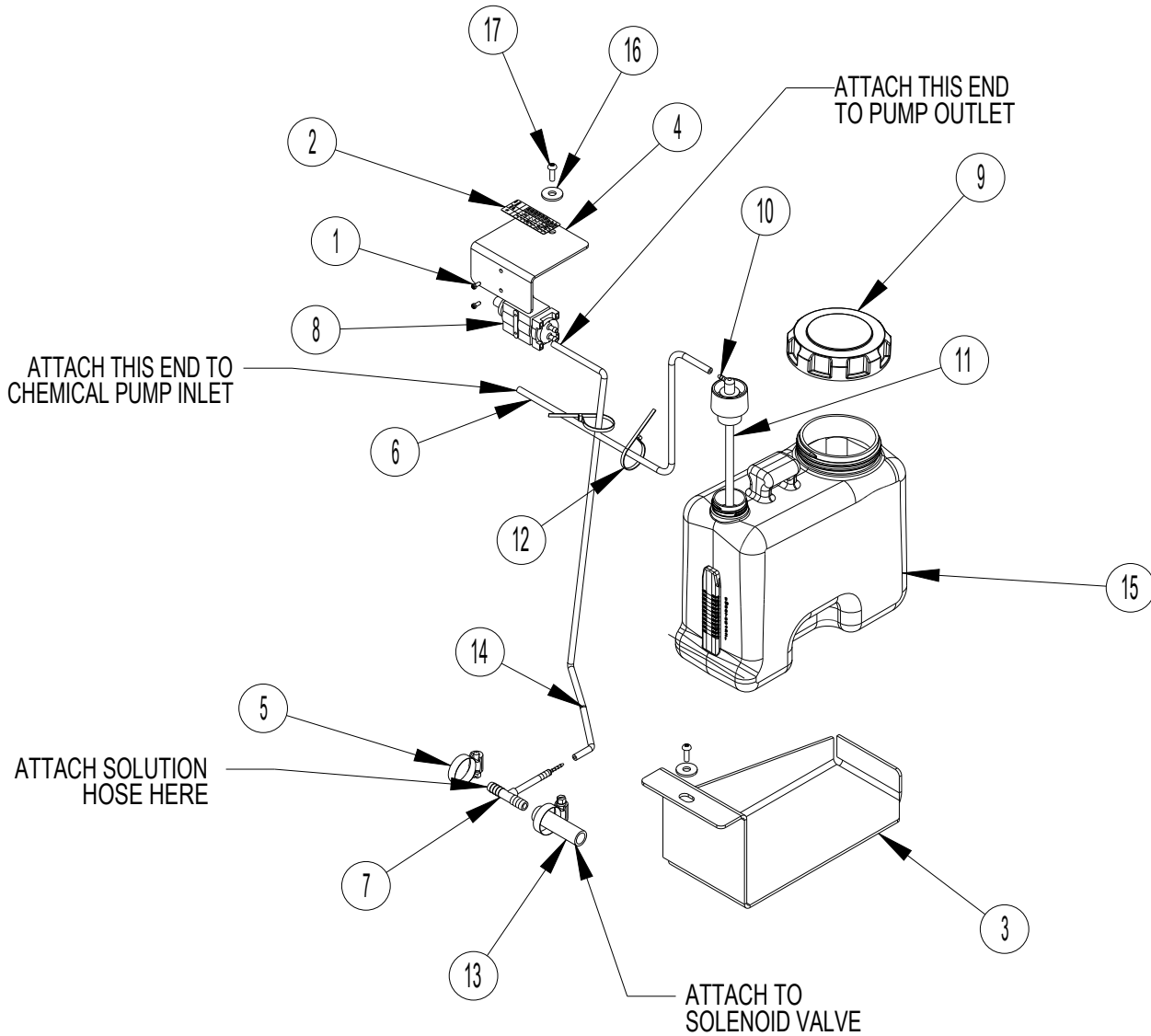
11-2



Item	Ref. No.	Qty	Description	Item	Ref. No.	Qty	Description
1	56109717	1	Tube Jack Motor	31	980614	3	Washer, 1/4" Starlock, External
2	61931a	1	Chassis, Wldmt.	32	980648	1	Washer 17/32 X 1 1/16 Plain
3	61932a	1	Bracket, Solution Valve	33	980652	8	Washer, 5/16 Lock
4	88617a	8	Screw, M10xm12x16mm S.B.S.H.	34	30828a	1	Hose, Clear X25.00 Long
5	88647a	8	Bushing, Flanged	35	30829a	1	Hose, Clear X 3.00 Long
6	56001954	1	Wsh, Flt Sae #10	36	57994a	1	Screw, M6- 1 X 20
7	56002959	1	Pin, Cotter Hair	37	61949a	1	Bracket, Ground Strap
8	56003656	1	Pin-Clevis .375 X 2.25	38	69639a	1	Strap, Static
9	56009030	1	Scr, Pan Phil Thd Form 10-24 X .38	39	71017a	1	Label, Moving Parts
10	56112109	2	Tire	40	80057a	2	Screw, M4-.7x10
11	56112147	1	Solenoid Valve Assy (L1)	41	80183a	8	Bolt, M8-1.25 X 20, Hex
12	56112343	1	Transaxle	42	80198a	9	Nut, M8 -1.25 Nylock S.S.
12a#	56380158	2	Flange Kit (for 56112343)	43	80199a	4	Nut, M6 -1.00 Nylock S.S.
*#	50981A	1	Motor-Transaxle (for 56112343) (M1)	44	80208a	1	Screw, M6 X 1.00 X 10mm Pan Head
*#	40628A	4	Carbon Brush (for 56112343)	45	80214a	2	Screw, M6 X 1 X 12
13	56112281	1	Connector Bracket	46	87026a	2	Washer, 1/4 Flat S.S.
14	56112282	1	Extension Spring-.81x12.0	47	87054a	3	Washer Fender .375
15	56323260	1	Clamp, Hose Support	48	88611a	7	Washer, Flat M10
16	56478523	1	Tie, Cable	49	88612a	10	Washer, Lock M10
17	1462258000	2	Spacer 6.1 X 10 X 6.5	51	88614a	10	Screw, M10-1.5 X 20mm
18	56112308	1	Caster, Rear	52	88616a	1	Screw, Hex Hd M10x75
19	9096112000	2	Spacer	53	88618a	2	Nut, M12 Nylon Insert
20	9097197000	4	Lever, Brush Head Lift	54	88619a	1	Screw, Hex Hd M12x160
21	9097368000	1	Support, Jack Motor	55	88620a	1	Screw, Hex Hd M12x90
22	9097370000	1	Bracket, Filter	56	88623a	2	Nut, M4-.7 Nylock Insert
23	40280A	1	Actuator (M2)	57	88624a	4	Screw, M5 X 12mm Hex Self Tap Tri-Lobe
24	9097404000	1	Filter, Water	58	88626a	1	Screw M6-1 X 40mm Hex
*#	9095215000	1	Filter and Seal (for 9097404000)	59	56003390	2	Screw, M8 X 90 Hex Head
25	9097456000	1	Lever	60	88635a	1	Screw, M8 X75 Hex Head
26	80223a	9	Nut, M10-1.5 Nylock	61	56112520	1	Spacer
27	E04016	2	Spring				
28	170860	4	Washer, Flat 5/16				
29	722030	4	Clamp, Hose				
30	980205	2	Washer, .31 I.D. X 1.06 O.D.				

* = Optional, Not Included

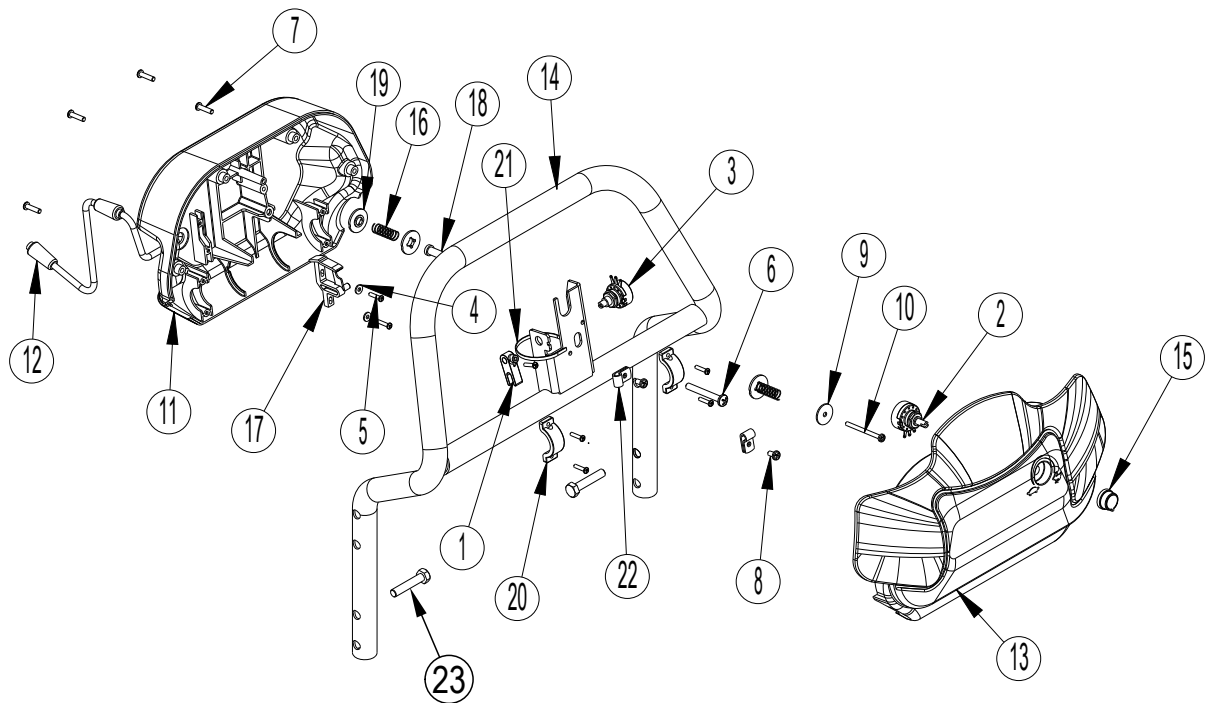
= Revised or new since last update



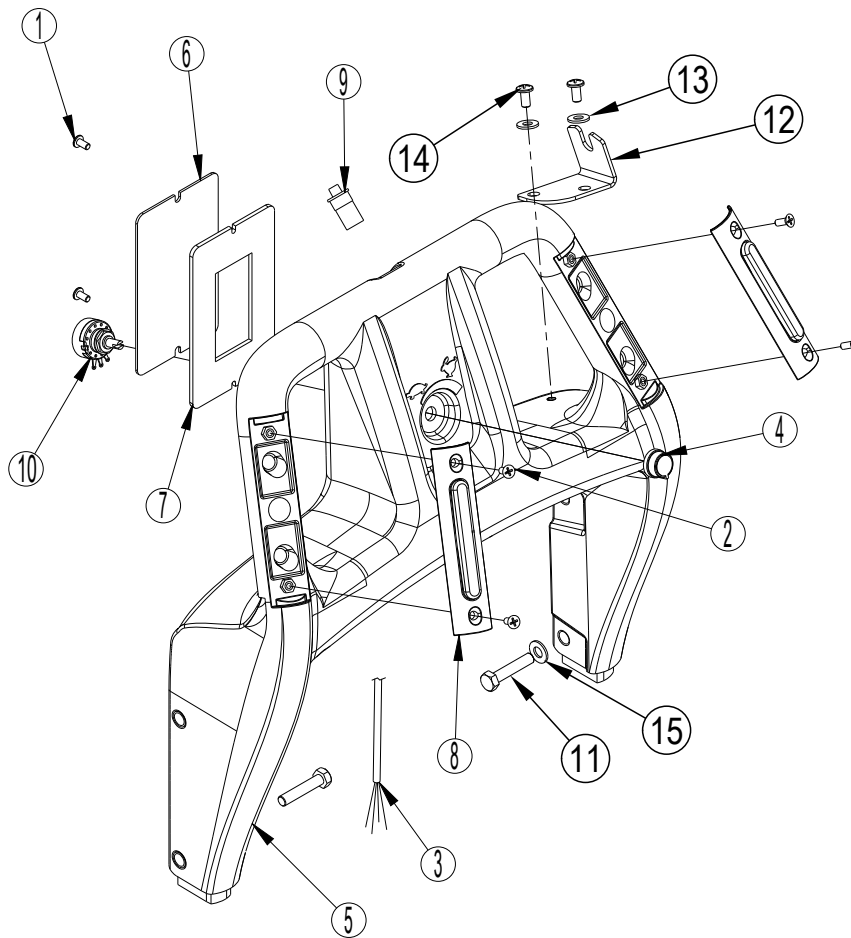
Item	Ref. No.	Qty	Description
1	56002539	2	Scr, Pan Phil Thd Form 6-32 X .31
2	56016331	1	Decal-Chemical Ratio
3	56112125	1	Bracket-Bottle Support
4	56112126	1	Bracket-Pump Mount
5#	722030	2	Clamp- Hose
6	56306169	1	Hose, Chem Resistant, 17.00
7	56314983	1	Tee Assembly
8	56315241	1	Pump-Chemical (M6)
9	56315517	1	Cap, Raw
10	56315523	1	Cap, Dry Break, 1/8 Barb, 90°
11	56315527	1	Insert, Dry Break
12	56325219	2	Tie, Cable
13	56392347	1	Hose, Pvc Clear 2.5 Inch
14	56413692	1	Hose, Chem Resistant, 21.00
15	56601544	1	Chemical Bottle Assy
*	56601545	1	Chemical Bottle Assy (Includes 9, 11 & 15)
16#	56002098	2	Wsh-Flat SAE 1/4
17#	56003627	2	Scr-Pan Phil M6-1 X 16mm

* = Optional, Not Included

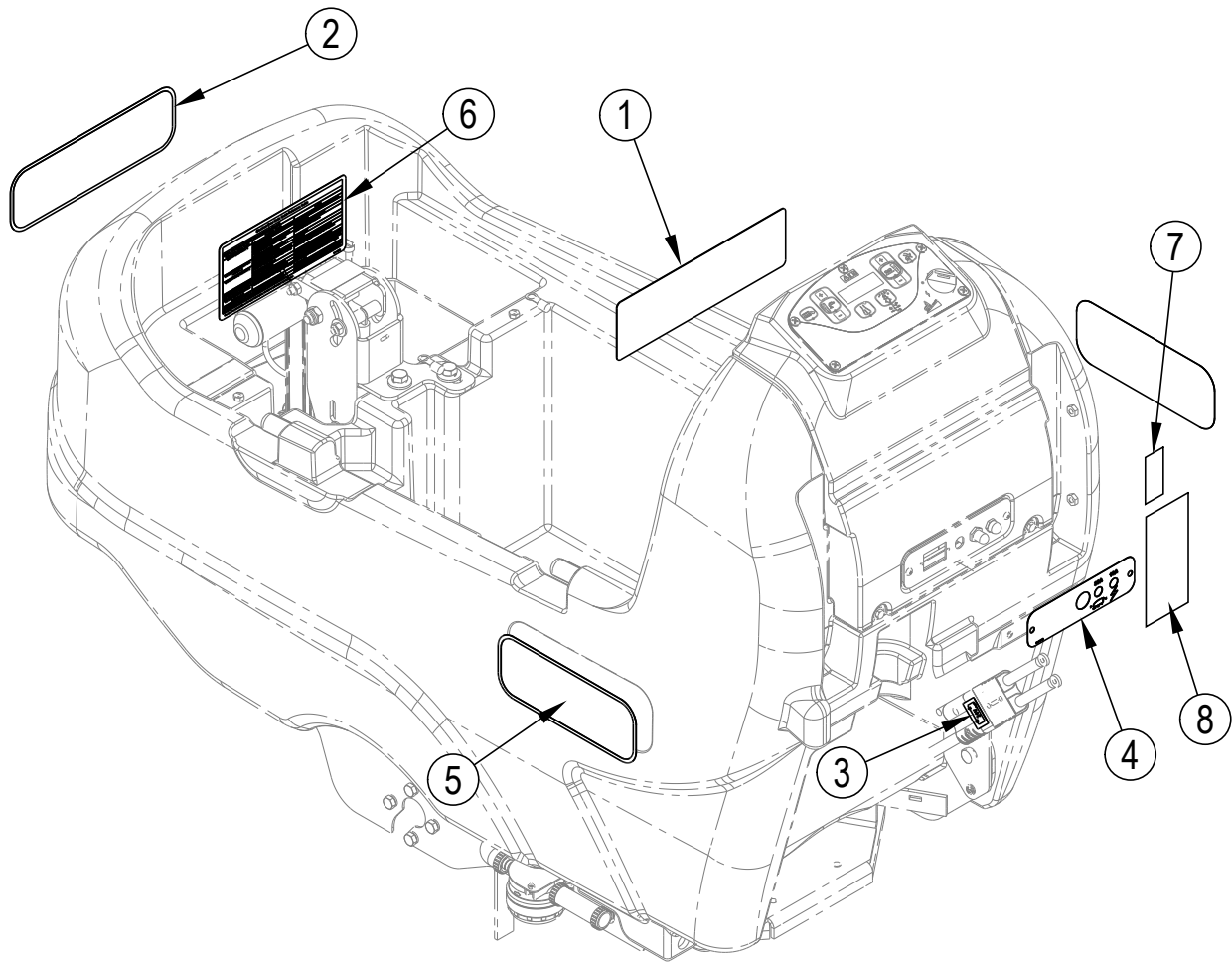
= Revised or new since last update



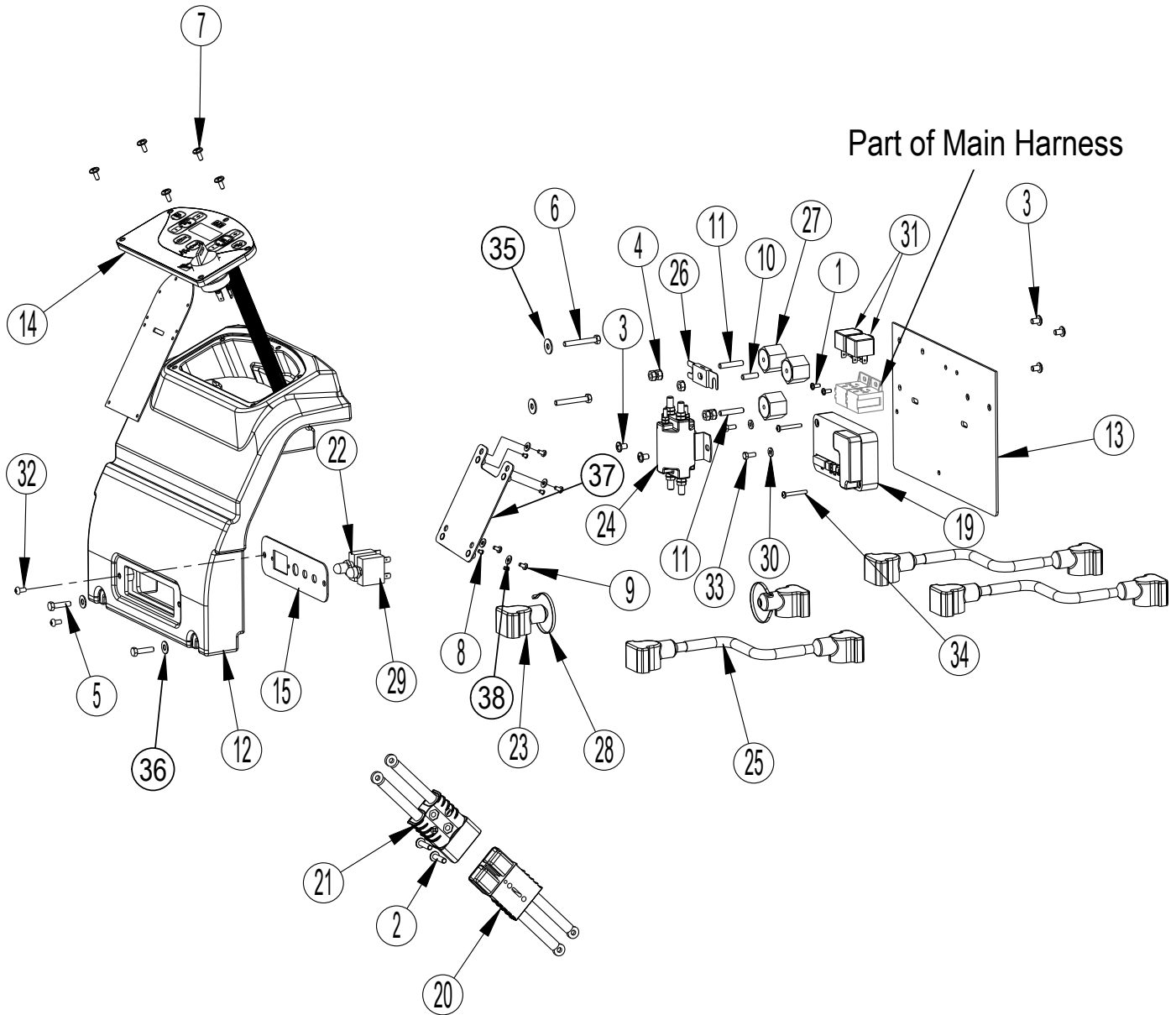
Item	Ref. No.	Qty	Description
	56112218	1	Paddle Assembly (1-22)
1	56109648	1	Potentiometer Fork
2	56396197	1	Potentiometer-Speed Limit (R2)
3	56397029	1	Potentiometer-5k (R1)
4	56002006	2	Wsh, Flt Sae #6
5	56003197	7	Scr, Pan Phil Plastite 6-18 X .62
6	56003527	1	Scr, Pan Phil Plastite 1/4-1 X 2.00
7	56003545	4	Scr, Pan Phil Plastite 8-10 X .75
8	56009030	2	Scr, Pan Phil Thd Form 10-24 X .38
9	56009096	1	Wsh, Flt .193 X .875 X .060
10	56009287	1	Scr, Pan Phil Type B 8 X 2.00
11	56109716	1	Paddle-Back Cover
12	56112179	1	Harness-Paddle
13	56315230	1	Paddle, Front Cover
14	56315251	1	Weldment-Handle Bar
15	56315280	1	Knob
16	56325654	2	Spring - Compression
17	56397015	1	Cam Controller
18	56397109	1	Sleeve
19	56397170	3	Washer, Plastic
20	56397171	2	Clamp
21	56478246	1	Tie, Cable
22	56481890	2	Clamp-P
23	56002094	4	Scr-Hex 5/16-18 x 1.50



Item	Ref. No.	Qty	Description
	56112219	1	Handle Assembly (1-10)
1	56002043	2	Scr-Pan Phil 10-24 X .38
2	56002178	4	Scr, Flt Phil 10-24 X .50
3	56112186	1	Harness-Handle
4	56315280	1	Knob
5	56315931	1	Handle, Rotomold
6	56315932	1	Access Plate
7	56315933	1	Gasket, Access Panel
8	56315935	2	Palm Switch Assembly (S4 / S5)
9	56315945	1	Switch, Spst Mom. (S6)
10	56315929	1	Potentiometer-Speed Limit (R2)
11	56003437	4	Scr-Hex SS M8-1.25 x 40mm
12	56112299	1	Squeegee Holder
13	56002098	2	Wsh-Flt SAE 1/4
14	56002145	2	Scr-Pan Phil 1/4-20 x .50
15	56001939	4	Wsh-Flt SAE 5/16

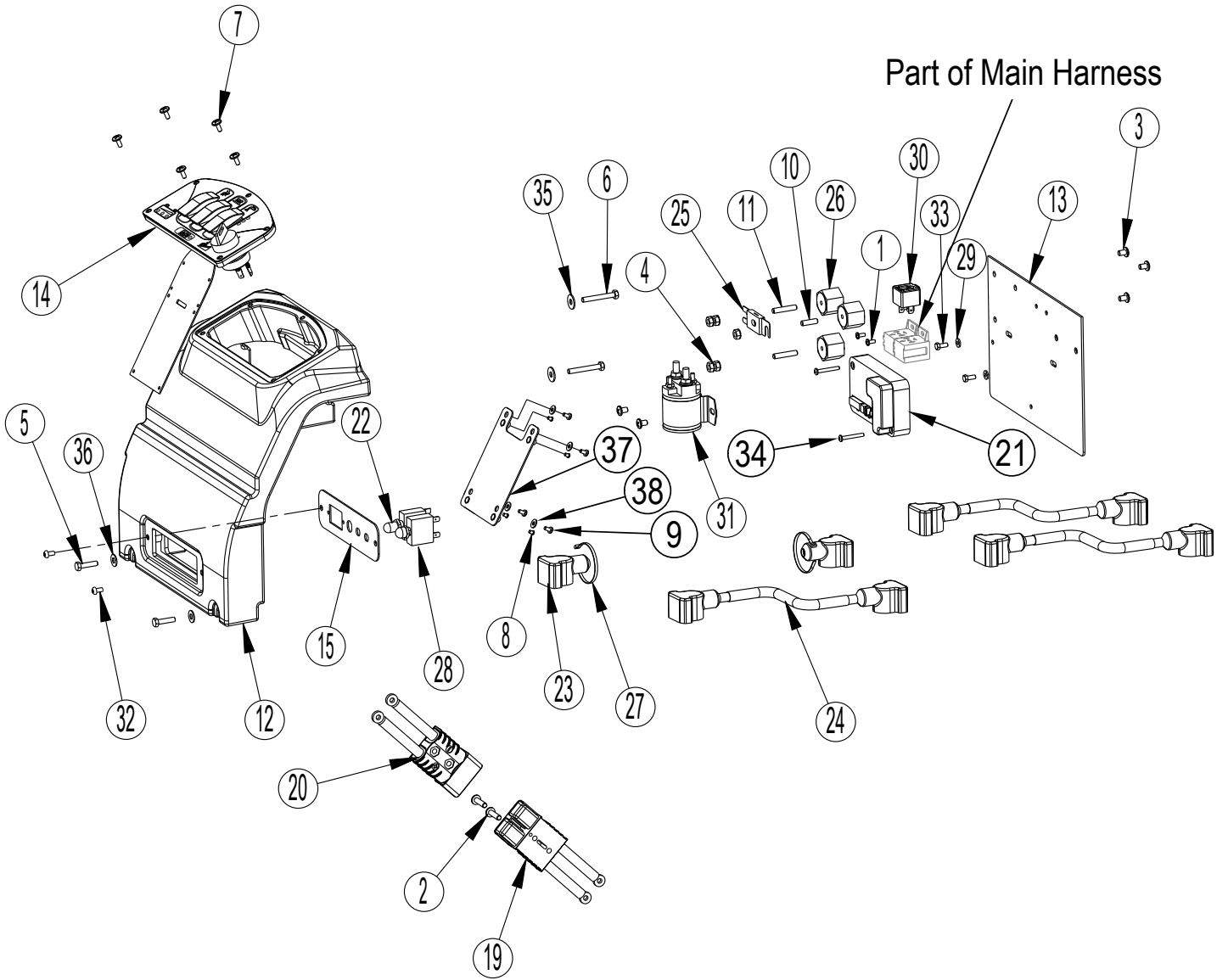


Item	Ref. No.	Qty	Description
1	56014601	1	Decal, Caution
2	56016730	1	Decal-Advance
3	56054192	1	Decal, Charger
4	56112168	1	Decal-Circuit Breaker
5	56112525	2	Decal-SC750
	56112526	2	Decal-SC800
	56112527	2	Decal-SC750 ST
	56112528	2	Decal-SC800 ST
	56112529	2	Decal-SC750 EcoFlex
	56112530	2	Decal-SC800 EcoFlex
6	56112292	1	Decal-Error Codes
7	71362A	1	Decal-NFSI
8	56112539	1	Decal-Warning/Wiring



Item	Ref. No.	Qty	Description	Item	Ref. No.	Qty	Description
1	56001818	2	Scr-Pan Phil 8-32 X .38	36	87026a	2	Washer, 1/4 Flat S.S.
2	56002292	2	Scr-Pan Phil 1/4-20 X 1.00	37	56112535	1	Bracket-PCB Mount
3	56002462	5	Scr-Pan Phil 1/4-20 X .38	38	56002140	4	Wsh-Fit SAE 8
4	56002561	5	Nut, Hex W/ Shprf 1/4-20				
5	56003430	2	Scr, Hex Ss M6-1 X 25mm	[]	56112353	1	Kit-EMC Filter-Cyl (Canada Only)
6	56003631	2	Scr, Hex M6-1 X 45mm	[]	56003351	6	Nut Hex M4
7	56003808	5	Scr- Truss Phil Blk M5-0.8 X 12mm	[]	56003354	6	Scr Pan Phil M3.9 X 12.0
8	56003336	4	Scr-Pan Phil Blk 6-32 x .19	[]	56112321	2	Assy-Emc Filter Brush Motor
9	56003653	4	Scr-Pan Phil M4-0.7 x 8mm	[]	56112324	1	Assy-Emc Filter Transaxle
10	56009020	1	Stud	[]	56112328	2	Bracket-Filter
11	56009203	2	Stud, 1/4-20	[]	56112534	1	Bracket-Filter Mount
12	56112112	1	Control Panel	[]#	56002066	2	Scr-Pan Phil 1/4-20 X .62
13	56112115	1	Electrical Panel	[]	56002491	2	Nut, Hex Nyl Loc Ss 1/4-20
14	56112351	1	Kit AXP Control Board				
[]	56303553	1	Switch-Key (S3)	[]	56112349	1	Kit-EMC Filter-Disc (Canada Only)
*#	56303526	1	Replacement Key Set (for 56303553)	[]	56003174	2	Scr Hex Thd/Hd M6-1.0 X 16mm
*	56112253	1	Kit-Interface Panel (Membrane Switch, Membrane Panel, Gasket)	[]	56003351	4	Nut Hex M4
15#	56112540	1	Plate-Circuit Breaker NOTE 1	[]	56003354	4	Scr Pan Phil M3.9 X 12.0
16#			DELETED	[]	56003403	2	Nut Hex Nyl Loc M6 X 1.00
[17]	56112169	1	Cable-Jumper	[]	56112321	2	Assy-Emc Filter Brush Motor
[18]	56112174	1	Harness-Main	[]	56112324	1	Assy-Emc Filter Transaxle
19	56112187	1	Speed Controller 70a 24v (A2)	[]	56112340	1	Filter Mount Weldment
20	56112188	1	Connector Assy	[]	56112534	1	Bracket-Filter Mount
21	56112189	1	Connector Assy	[]#	56002066	2	Scr-Pan Phil 1/4-20 X .62
22	56315256	1	Circuit Breaker, 30 Amp (CB1)	[]	56002491	2	Nut, Hex Nyl Loc Ss 1/4-20
23	56372673	2	Boot-Battery Post				
24	56397088	1	Contact, 24v Spdt (K2)	[] = Not Shown			
25	40172A	3	Cable,Battery	* = Optional, Not Included			
26	56412089	1	Fuse, 150 Amp (F1)	# = Revised or new since last update			
27	56469858	3	Electrical Mount				
28	56478246	2	Tie, Cable				
29	56507644	1	Circuit Breaker, 10 Amp (CB2)				
30	980643	2	Washer 7/16 Od X .036 Thk				
31	41075a	2	Relay, 40A (K1 / K3)				
32	80193a	2	Screw, M5 X 0.8 X 10mm P.H.				
33	80249a	2	Screw, Hex Thd To Hd M5x12				
34	80380a	2	Screw, 8-32 X 1 1/4" P.H.				
35	56385358	2	Washer				

#NOTE 1: Circuit Breaker Plate 56112122 is obsolete and has been replaced by 56112540.



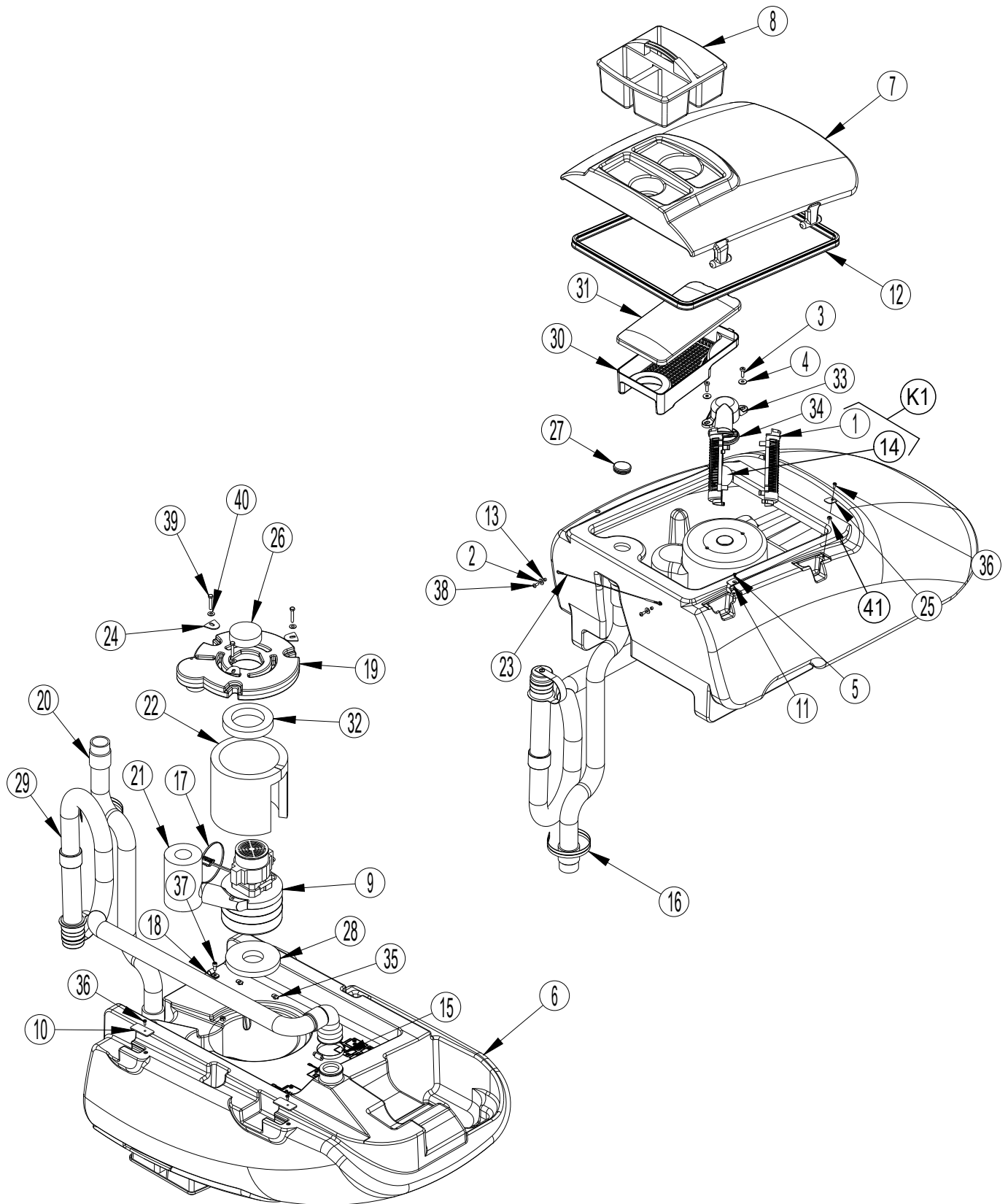
Item	Ref. No.	Qty	Description	Item	Ref. No.	Qty	Description
1	56001818	2	Scr-Pan Phil 8-32 X .38	36	87026a	2	Washer, 1/4 Flat S.S.
2	56002292	2	Scr-Pan Phil 1/4-20 X 1.00	37	56112535	1	Bracket-PCB Mount
3	56002462	5	Scr-Pan Phil 1/4-20 X .38	38	56002140	4	Wsh-Fit SAE 8
4	56002561	5	Nut, Hex W/ Shprf 1/4-20				
5	56003430	2	Scr, Hex Ss M6-1 X 25mm	[]	56112353	1	Kit-EMC Filter-Cyl (Canada Only)
6	56003631	2	Scr, Hex M6-1 X 45mm	[]	56003351	6	Nut Hex M4
7	56003808	5	Scr- Truss Phil Blk M5-0.8 X 12mm	[]	56003354	6	Scr Pan Phil M3.9 X 12.0
8	56003336	4	Scr-Pan Phil Blk 6-32 x .19	[]	56112321	2	Assy-Emc Filter Brush Motor
9	56003653	4	Scr-Pan Phil M4-0.7 x 8mm	[]	56112324	1	Assy-Emc Filter Transaxle
10	56009020	1	Stud	[]	56112328	2	Bracket-Filter
11	56009203	2	Stud, 1/4-20	[]	56112534	1	Bracket-Filter Mount
12	56112112	1	Control Panel	[]#	56002066	2	Scr-Pan Phil 1/4-20 X .62
13	56112115	1	Electrical Panel	[]	56002491	2	Nut, Hex Nyl Loc Ss 1/4-20
14	56112352	1	Kit ST Control Board				
[]	56112190	3	Switch-Momentary Rocker (S7 / S8 / S9)	[]	56112349	1	Kit-EMC Filter-Disc (Canada Only)
[]	56303553	1	Switch-Key (S3)	[]	56003174	2	Scr Hex Thd/Hd M6-1.0 X 16mm
*#	56303526	1	Replacement Key Set (for 56303553)	[]	56003351	4	Nut Hex M4
*	56112254	1	Kit-Interface Panel ST (Membrane Switch, Membrane Panel, Gasket)	[]	56003354	4	Scr Pan Phil M3.9 X 12.0
15#	56112540	1	Plate-Circuit Breaker NOTE 1	[]	56003403	2	Nut Hex Nyl Loc M6 X 1.00
16#			DELETED	[]	56112321	2	Assy-Emc Filter Brush Motor
[17]	56112169	1	Cable-Jumper	[]	56112324	1	Assy-Emc Filter Transaxle
[18]	56112174	1	Harness-Main	[]	56112340	1	Filter Mount Weldment
19	56112188	1	Connector Assy	[]	56112534	1	Bracket-Filter Mount
20	56112189	1	Connector Assembly	[]#	56002066	2	Scr-Pan Phil 1/4-20 X .62
21	56112241	1	Speed Controller 70a 24v (A2)	[]	56002491	2	Nut, Hex Nyl Loc Ss 1/4-20
22	56315256	1	Circuit Breaker, 30 Amp (CB1)				
23	56372673	2	Boot-Battery Post				
24	40172A	3	Cable,Battery				
25	56412089	1	Fuse, 150 Amp (F1)				
26	56469858	3	Electrical Mount				
27	56478246	2	Tie, Cable				
28	56507644	1	Circuit Breaker, 10 Amp (CB2)				
29	980643	2	Washer 7/16 Od X .036 Thk				
30	41075a	1	Relay, 40a (K1)				
31	41810a	1	Contactora, Brush 24v (K2)				
32	80193a	2	Screw, M5 X 0.8 X 10mm P.H.				
33	80249a	2	Screw, Hex Thd To Hd M5x12				
34	80380a	2	Screw, 8-32 X 1 1/4" P.H.				
35	56385358	2	Washer				

[] = Not Shown

* = Optional, Not Included

= Revised or new since last update

#NOTE 1: Circuit Breaker Plate 56112122 is obsolete and has been replaced by 56112540.

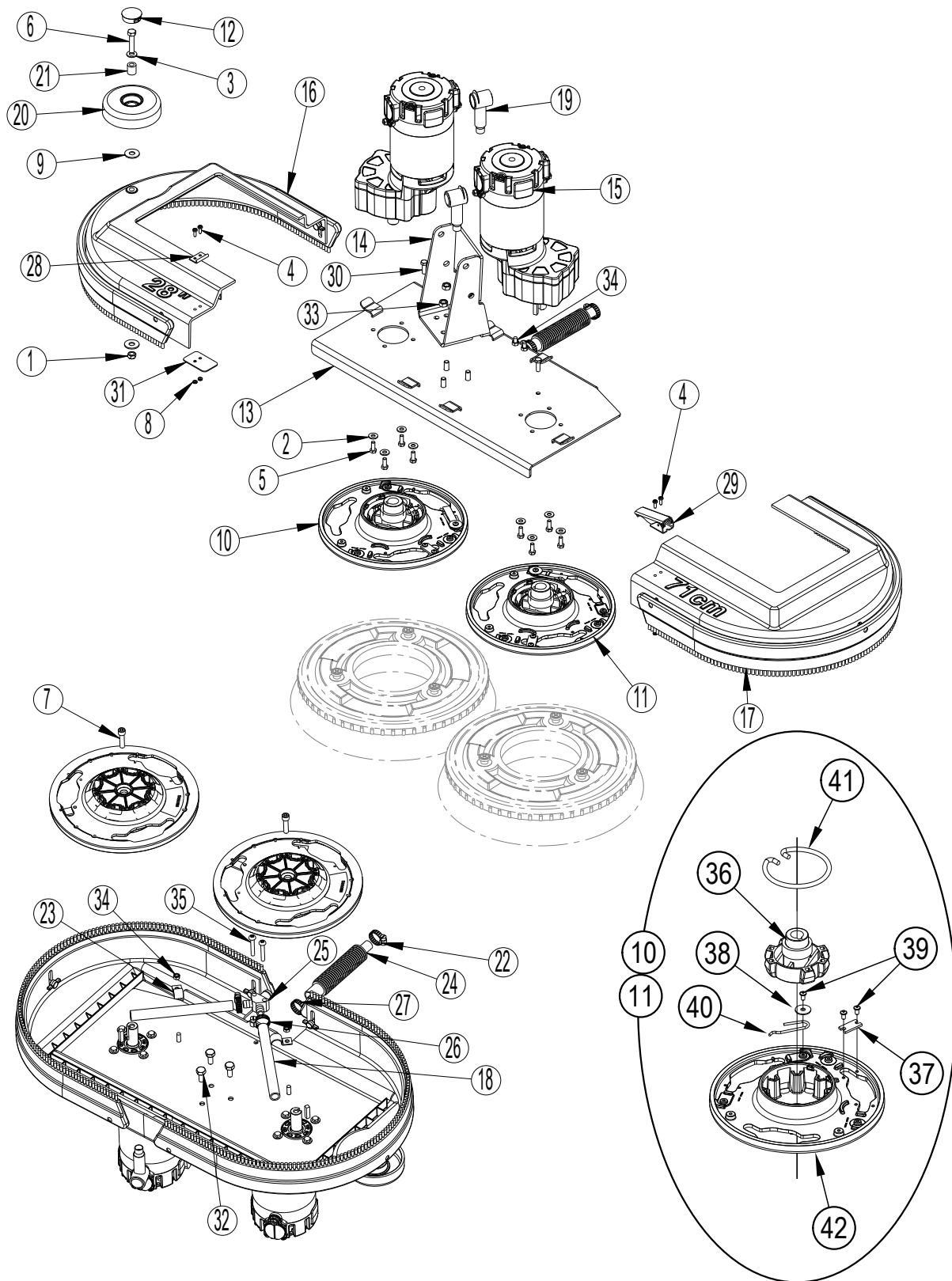


10-7	RECOVERY SYSTEM		
11-3	SC750, SC800, SC750 ST, SC800 ST		17

Item	Ref. No.	Qty	Description
K1	1	2	Cage, Float
	2	56002053	2 Wsh, Flt Std #10
	3	56003443	2 Scr, Pan Phil M6-1 X 20mm
	4	56003638	2 Wsh, Flt Ss 6mm
	5	56003823	1 Scr-Flt Phil Ss M4-0.7 X 8mm
	6	56112106	1 Recovery Tank (SC750 models)
		56112102	1 Recovery Tank (SC800 models)
	7	56112107	1 Recovery Lid (SC750 models)
		56112103	1 Recovery Lid (SC800 models)
	8	56112222	1 Utility Caddy
	9	56112239	1 Vac Motor-24 Vdc (M5)
	*#	56380529	1 Carbon Brush Set of 2 (for 56112239)
	10	56112293	2 Retainer Plate
	11	56112296	1 Retainer Plate
	12	56112297	1 Gasket-Recovery Lid
	13	56151092	2 Bushing
K1	14		1 Ball, Float
	15	56440213	2 Clamp- Hose Sae #32
	16	56477613	2 Tie, Cable
	17	56478523	1 Tie, Cable
	18	56323260	2 Clamp-P
	19	9096051000	1 Vacuum Motor Cover
	20	56112316	1 Suction Hose
	21	9096442000	1 Insulation Tube
	22	9096491000	1 Panel, Acoustic Insulation
	23	9096634000	1 Stop Tank Cable
	24	9096638000	3 Vacuum Cover Plate
	25	9096643000	1 Tank Cover Plate
	26	9096672000	1 Filter
	27	9096899000	1 Cap - Tank
	28	9096918000	1 Gasket Vacuum Motor
	29	56112310	1 Drain Hose-Recovery
	30	9097384000	1 Debris Tray
	31	9097477000	1 Debris Tray Cover
	32	9097555000	1 Gasket, Vacuum Motor
	33	9097587000	1 Support Float System
	34	9097588000	1 Gasket Float Support
	35	9097589000	2 Nut Drivin 6x6 Ss
		80057a	3 Screw, M4-.7x10
		80179a	2 Screw, M6 X 15
		80363a	2 Screw M5-.8x12 Bt
		80410a	3 Screw, 6mm X 1.00 X 35mm Lg Hex
		87026a	3 Washer, 1/4 Flat S.S.
	41	9096679000	1 Spacer
K1	56112303	1	Kit-Float Ball Cage

* = Optional, Not Included

= Revised or new since last update



Item	Ref. No.	Qty	Description
1	56002851	1	Nut, Hex Nyl Loc-Thin SS 5/16-18
2	56002859	8	Wsh, Flt Sae SS 1/4
3	56002938	1	Wsh, Flt Sae SS 5/16
4	56003354	4	Scr,Pan Phil Metric
5	56003431	8	Scr, Hex SS M6-1 X 16mm
6	56003455	1	Scr- Hex SS 5/16-18 X 1.50
7	56003798	2	Scr, Soc Hd 5/16-18 X 1.25 Zinc Plated
8	56003821	4	Nut-Hex Nyl Loc Thin M4-.07
9	56009213	2	Wsh, Flt .392x1.00x.075
10	56109651	1	Brush Plate Assy – CCW (36-43)
11	56109652	1	Brush Plate Assy – CW (36-43)
12	56111444	1	Button Plug-1.25
13	56112231	1	Brush Plate Weldt 26D (26" models)
[]	56112232	1	Brush Plate Weldt 28D (28" models)
[]	56112233	1	Brush Plate Weldt 34D (34" models)
14	56112523	1	Linkage Bracket
15	56112240	2	Motor Gearbox Assy (M3 / M4)
*#	56112242	2	Carbon Brush (for 56112240)
16	56112257	1	Brush Skirt Assy-26D Left (26" models)
16	56112259	1	Brush Skirt Assy-28D Left (28" models)
16	56112261	1	Brush Skirt Assy-34D Left (34" models)
17	56112258	1	Brush Skirt Assy-26D Right (26" models)
17	56112260	1	Brush Skirt Assy-28D Right (28" models)
17	56112262	1	Brush Skirt Assy-34D Right (34" models)
[]	56112305	1	Kit-Bristle Skirt 26 (26" models / Includes two skirts and mounting hardware)
[]	56112306	1	Kit-Bristle Skirt 28 (28" models / Includes two skirts and mounting hardware)
[]	56112307	1	Kit-Bristle Skirt 34 (34" models / Includes two skirts and mounting hardware)
18	34705A	2	Hose-Solution 6.00 (26" models)
	56397207	2	Hose, PVC Clear 7.00 (28" models)
	30453A	2	Hose-Clear Vinyl (34" models)
19	56493357	2	Insulator, Terminal (28" & 34" models)
20	56601450	1	Wheel, 4.00 OD
21	56601499	1	Bushing, Nylon
22	722030	1	Clamp, Hose
23	782002	2	Clamp, Manifold
24	30412a	1	Hose, Solution
25	38014a	1	Splitter, Solution
26	50248a	2	Clamp, Hose
27	53571a	1	Clamp, Hose
28	55451a	1	Keeper, Latch
29	55721a	1	Latch, Southco 91-512-07
30	57994a	2	Screw, M6- 1 X 20
31	69186a	1	Tab, Latch, Brush
32	80183a	3	Bolt, M8-1.25 X 20, Hex
33	80198a	3	Nut, M8 -1.25 Nylock S.S.
34	80199a	4	Nut, M6 -1.00 Nylock S.S.
35	88627a	2	Screw, M6-1 X 40mm Ph
36	56112521	1	Gimbal Assembly
37	56366455	1	Plate, Stop
38	56009002	1	Wsh, Flt .266 x .906 x .060
39	56009247	3	Scr, Pan Phil Plastite 10-14 x .38
40	56109653	1	Spring Retainer
41	56601056	1	Spring, Brush Holder
42	56601118	1	Brush Plate

[] = Not Shown

* = Optional, Not Included

= Revised or new since last update

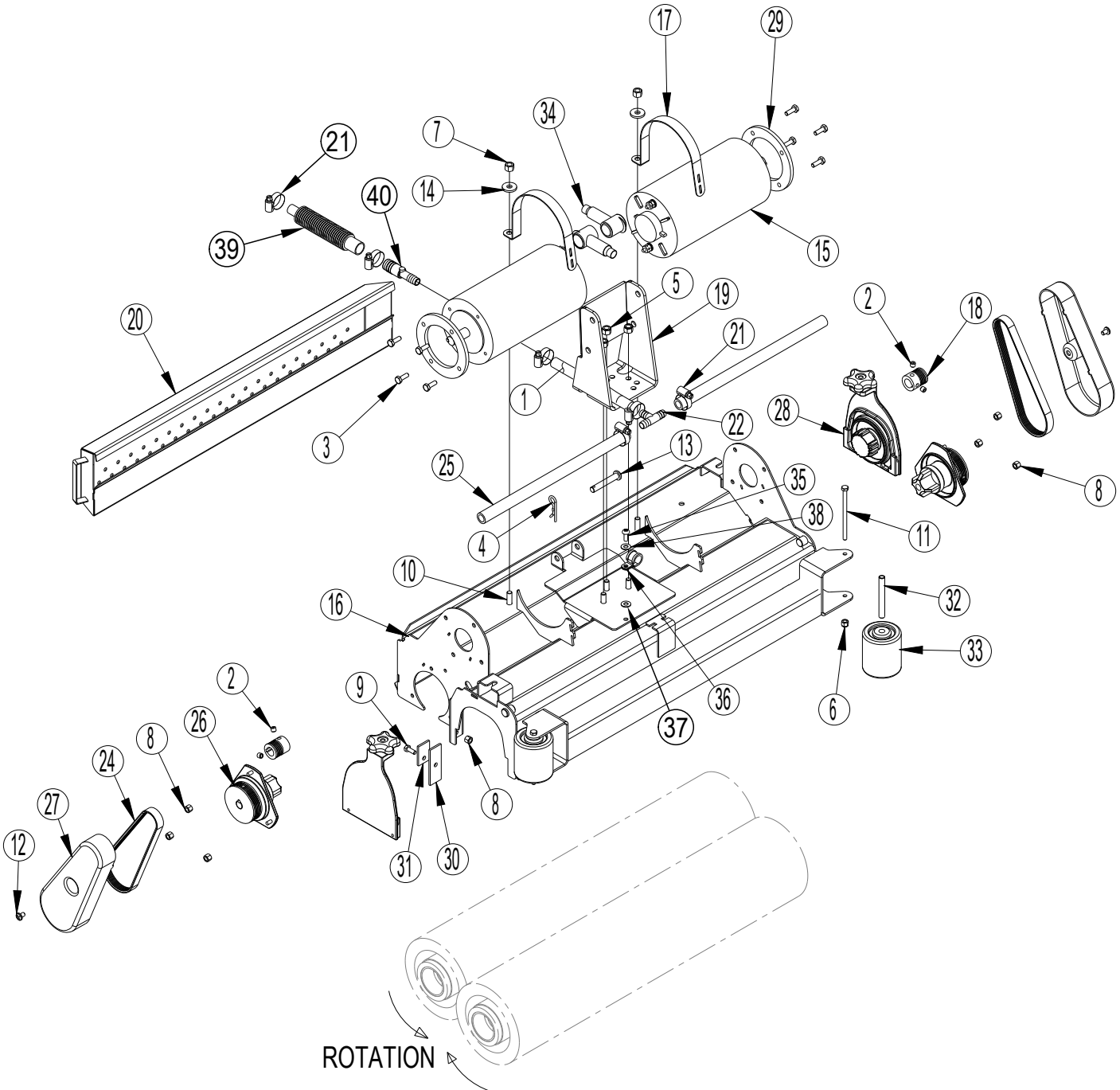
SCRUB SYSTEM-CYLINDRICAL

10-7

20

SC750, SC800, SC750 ST, SC800 ST

10-10



Item	Ref. No.	Qty	Description
1	56397207	1	Hose
2	56002086	4	Scr, Soc Set Loc 5/16-18 X .25
3	56002948	8	Scr, Hex Hd Loc 1/4-20x.75
4	56003222	1	Pin, Cotter Hair
5	56003389	3	Nut-Hex Nyl Loc M8-1.25
6	56003403	2	Nut-Hex Nyl Loc M6-1
7	56003405	2	Nut, Hex Nyl Loc Ss M8-1.25
8	56003426	8	Nut, Hex Nyl Loc Ss M6-1
9	56003431	2	Scr, Hex Ss M6-1 X 16mm
10	56003436	2	Scr, Hex Ss M8-1.25 X 25mm
11	56003492	2	Scr, Hex M6-1 X 95mm
12	56003603	2	Scr, Pan Phil Thd Form 1/4-20 X .38
13	56003656	1	Pin-Clevis .375 X 2.25
14	56009122	2	Wsh, Flt .344 X .938 X .125
15	56112111	2	Motor-24 Vdc 3/4hp (M3 / M4)
*#	56412257	1	Brush Cap Assy (for 56112111)
16	56112161	1	Brush Housing Weldment-28 (28" models)
	56112163	1	Brush Housing Weldment-32 (32" models)
17	56112165	2	Strap-Motor
18	56112166	2	Sheave-Poly-V
19	56112523	1	Linkage Bracket
20	56112283	1	Hopper Weld't-28 (28" models)
	56112288	1	Hopper Weld't-32 (32" models)
21	56112771	6	Clamp- Hose Sae #10
22	56262549	1	Tee, Barb
24	56315321	2	Belt, Auto Tension
25	56315355	2	Manifold, Pvc 28 (28" models)
	56315647	2	Manifold, Pvc 32 (32" models)
26	56315408	2	Drive End Assy
27	56315445	2	Cover, Belt
28	56315448	2	Idler End Assy
[]#	56396254	2	Knob (for 56315448)
29	56316197	2	Plate, Motor Spacer
30	56407391	2	Blade
31	56410214	2	Strap
32	56412176	2	Bushing
33	56412459	2	Wheel
34	56493357	2	Insulator, Terminal
35	56002066	1	Scr Pan Phil 1/4-20 X .62
36	54779a	1	Clamp P 5/8 Steel
37	56009064	1	Wsh Int Shprf 1/4
38	87026a	1	Washer, 1/4 Flat S.S.
39	30412A	1	Hose-Solution
40	56315625	1	Barb-Coupler 1/2 x 3/4

[] = Not Shown

* = Optional, Not Included

= Revised or new since last update

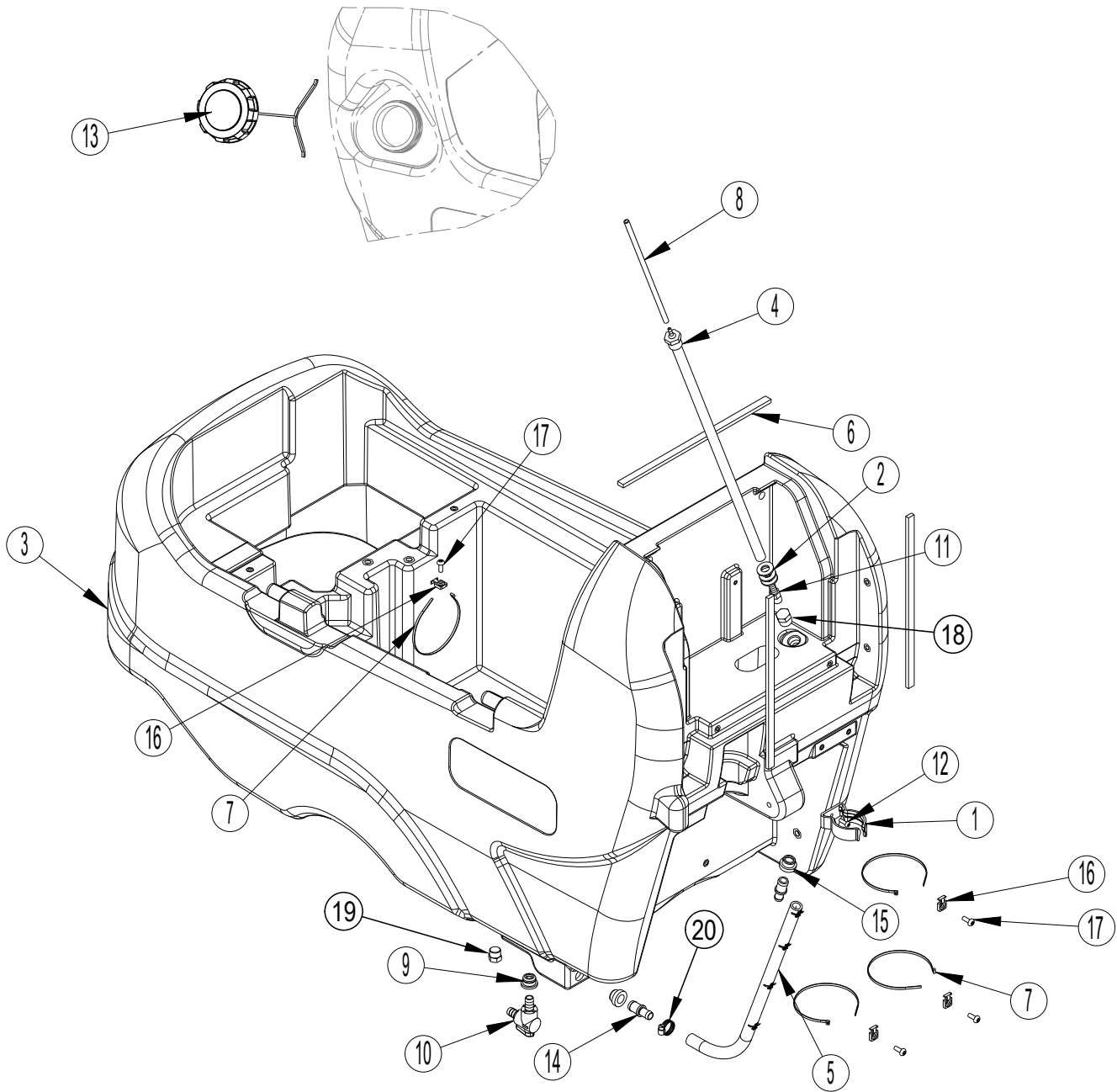
SOLUTION SYSTEM

10-7

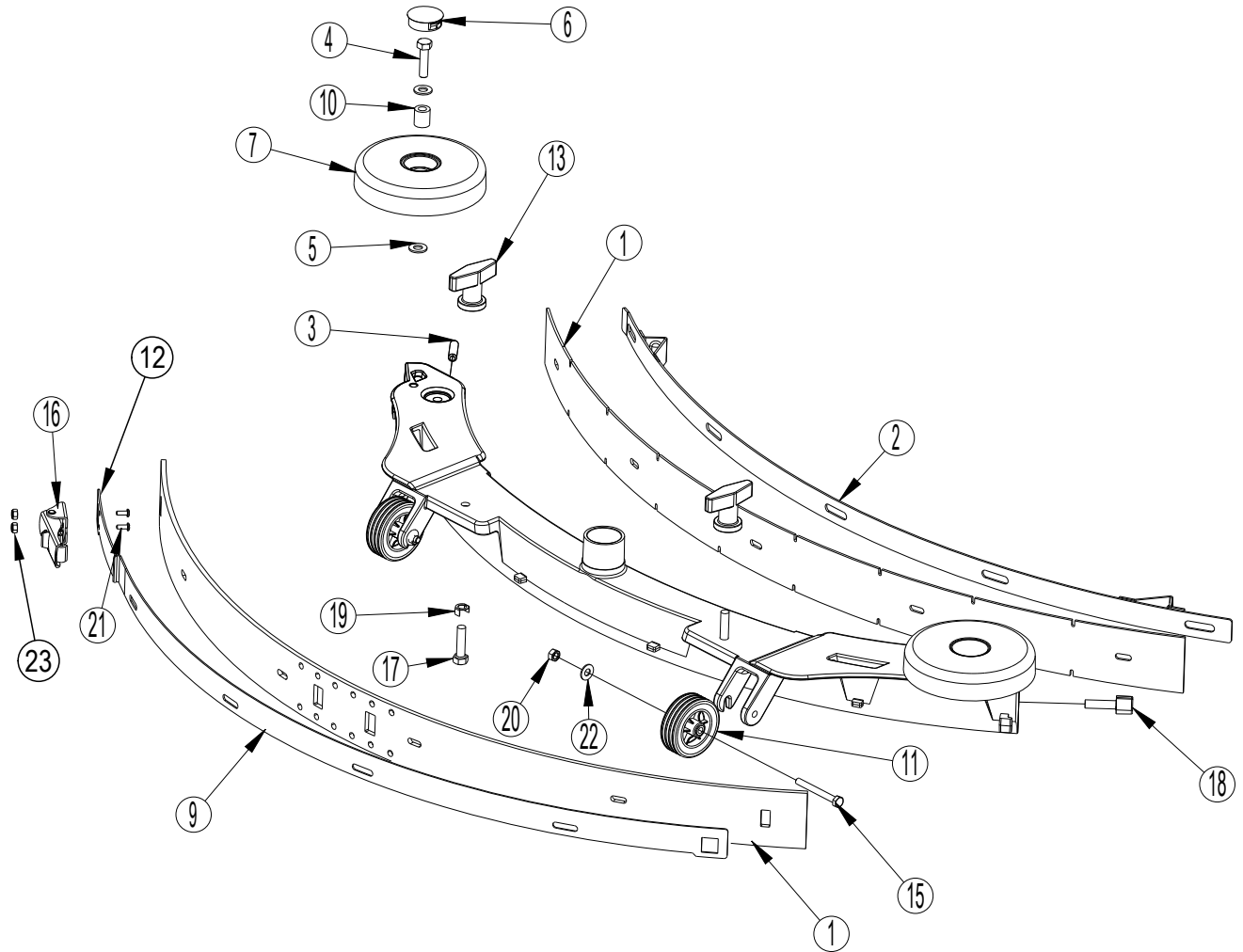
22

SC750, SC800, SC750 ST, SC800 ST

10-10



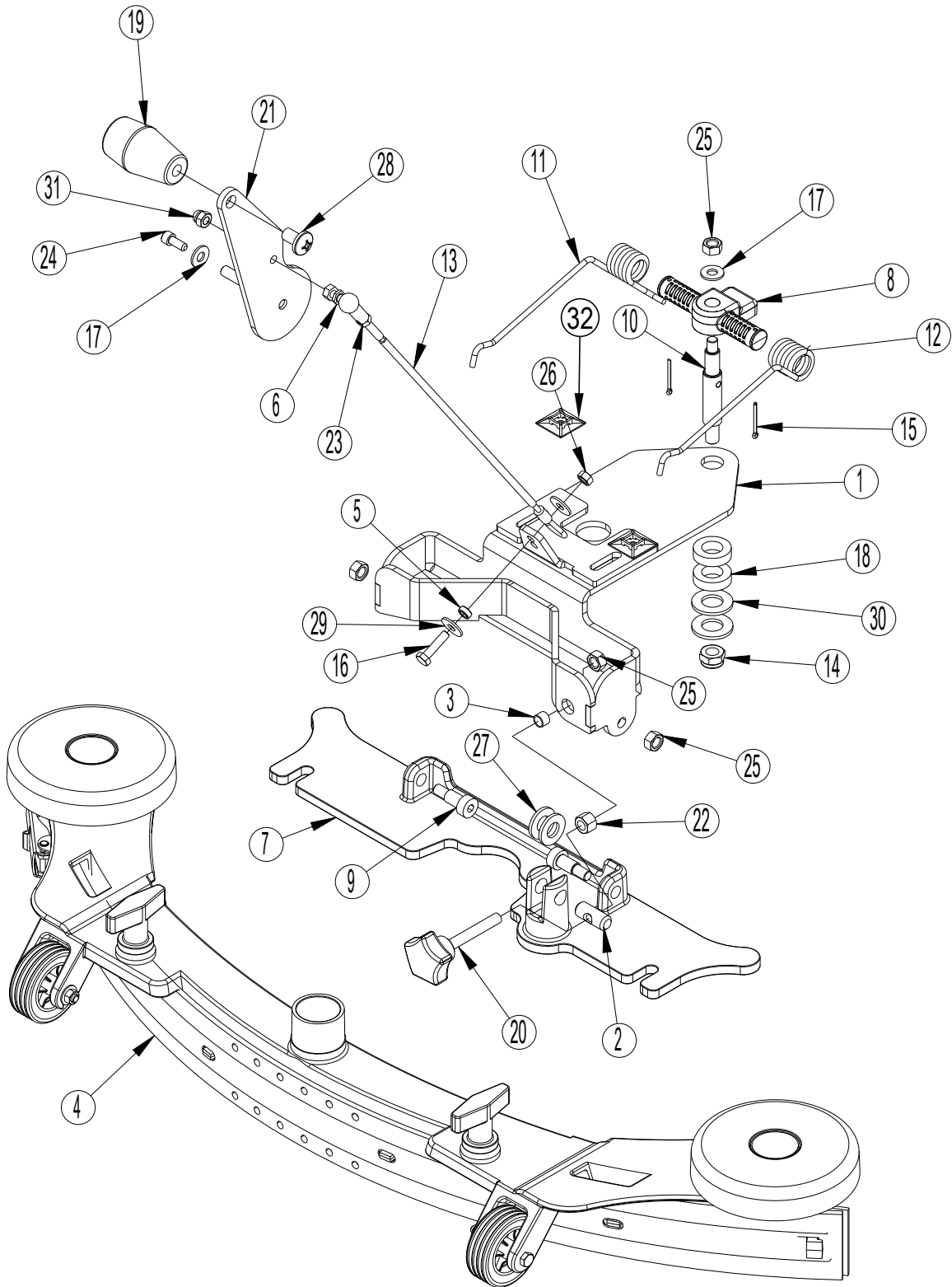
Item	Ref. No.	Qty	Description	Item	Ref. No.	Qty	Description
1	L08812967	1	Clamp, Hose D.50	10	9097028000	1	Ball Valve 90°
2	56002918	3	Wsh, Fit SAE SS 1/2 (SC750, SC800)	11	56054691	1	Adaptor-Barb Male (SC750, SC800)
3	56112105	1	Solution Tank (SC750, SC750 ST models)	12	964004	1	Screw M5-.8 X 16mm Pn St Ph
	56112101	1	Solution Tank (SC800, SC800 ST models)	13	56601599	1	Cap-Raw With Tether
4	56112145	1	Tube-Pressure Sensing (SC750, SC800)	14	56112346	2	Connector, Straight
5	56112347	1	Drain Hose (SC750, SC750 ST models)	15	31242a	2	Bushing
	56112348	1	Drain Hose (SC800, SC800 ST models)	16	52548a	4	Tab, 1/4" Screw
6	56419275	3	Gasket, .25 X .50	17	80208a	4	Screw, M6 X 1.00 X 10mm Pan Head
7	56478523	4	Tie, Cable	18	56305547	1	Plug, 1/2 Hex Pipe (SC750 ST, SC800 ST)
8	56601273	1	Hose (SC750, SC800)	19	56261421	1	Plug-Hex Pipe (SC800, SC800 ST models)
9	9095286000	1	Gasket	20	56244969	1	Clamp-Hose SAE 12



Item	Ref. No.	Qty	Description	Item	Ref. No.	Qty	Description
	56112216	1	Squeegie Assy (26" & 28" models)	17	962157	2	Screw, 5/16-18 X 1.25 Hex Hd
	56112217	1	Squeegie Assy (32" & 34" models)	18	54647a	1	Knob, M8 X 30
1	56112247	1	Blade Kit-Squeegie Gum (26" & 28" models) NOTE 1	19	60564a	2	Shim, Squeegie Knob
	56112250	1	Blade Kit-Squeegie Gum (32" & 34" models) NOTE 1	20	80199a	2	Nut, M6 -1.00 Nyloc S.S.
2	60466a	1	Strap-Squeegie Front (26" & 28" models)	21	56002909	2	Scr-Pan Phil SS 6-32 x .38
	60546A	1	Strap-Squeegie Front (32" & 34" models)	22	87026a	2	Washer, 1/4 Flat S.S.
3	88632a	1	Scr, Soc Setscrew, Set M8-1.25 X 30mm	23	56002907	2	Nut-Hex Nyl Loc SS 6-32
4	56002884	2	Scr- Hex Ss 5/16-18 X 1.25				Squeegie Blade Kits for 56112216
5	56002938	4	Wsh, Fit Sae Ss 5/16		56112247	1	Blade Kit-Squeegie Gum NOTE 1
6	56111444	2	Button Plug-1.25	*	56112248	1	Blade Kit-Squeegie Red Gum NOTE 1
7	56112108	2	Wheel	*	56112249	1	Blade Kit-Squeegie PU NOTE 1
9	56112213	1	Strap-Squeegie Rear (26" & 28" models)				Squeegie Blade Kits for 56112217
	56112214	1	Strap-Squeegie Rear (32" & 34" models)		56112250	1	Blade Kit-Squeegie Gum NOTE 1
10	56601499	2	Bushing, Nylon	*	56112251	1	Blade Kit-Squeegie Red Gum NOTE 1
11	9096505000	2	Wheel 90x20 With Bushing	*	56112252	1	Blade Kit-Squeegie PU NOTE 1
12	56112300	1	Rear Latch Strap				
13	9098257000	2	Nut Thumb, Squeegie Fixing				
15	88629a	2	Screw, Hex Thd To Hd M6-1x55				
16	L08603664	1	Latch, Squeegie				

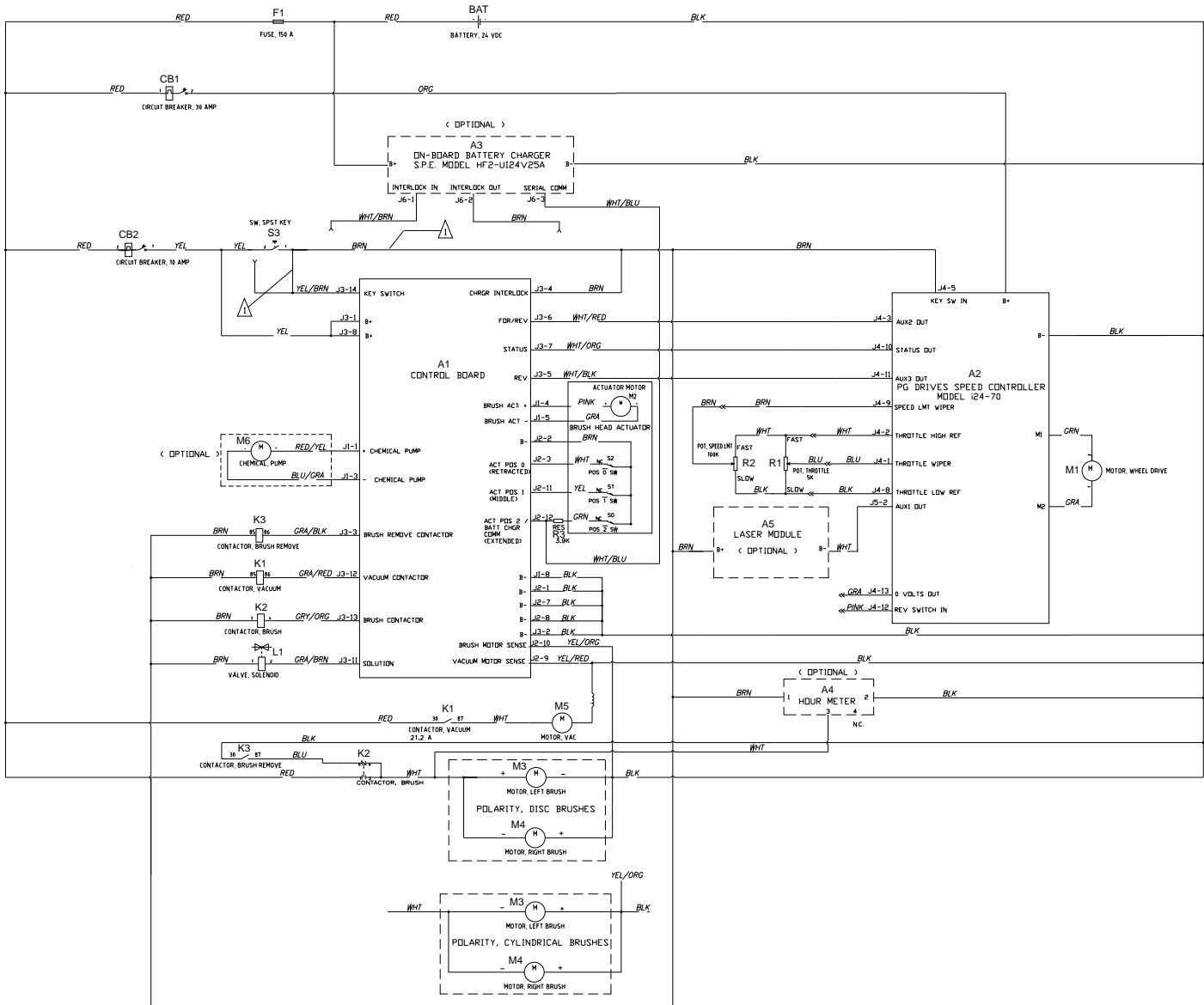
* = Optional, Not Included

NOTE 1: All squeegie blade kits include both front and rear squeegie blades.



10-7	SQUEEGEE SYSTEM		
10-10	SC750, SC800, SC750 ST, SC800 ST		25

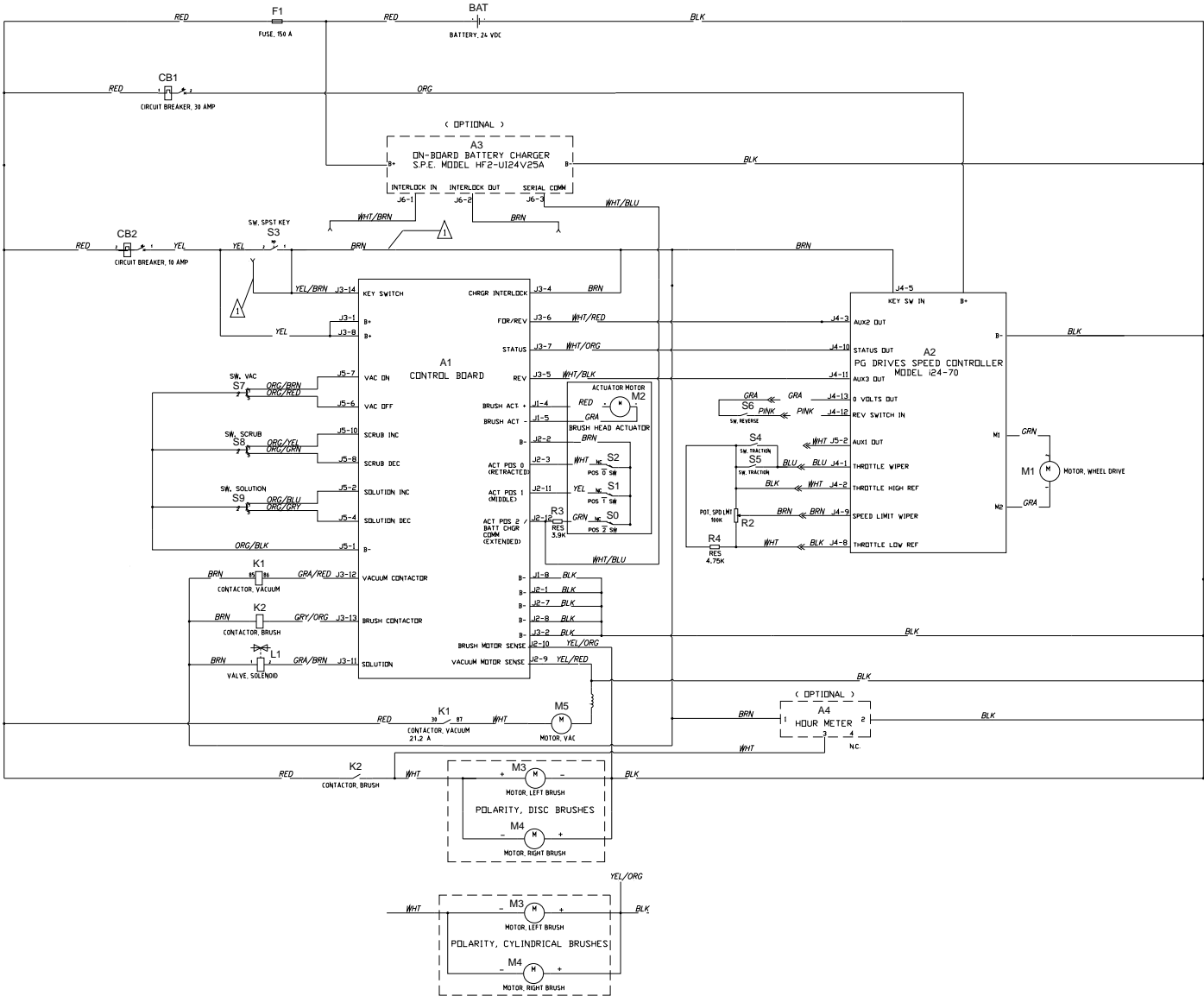
Item	Ref. No.	Qty	Description
1	61953a	1	Plate Squeegee Support
2	L08601509	1	Pivot Support
3	L08602422	1	Spacer
4	56112216	1	Squeegee Assy (26" & 28" models / Includes Gum Rubber Blades)
	56112217	1	Squeegee Assy (32" & 34" models / Includes Gum Rubber Blades)
5	1451252000	1	Spacer 6.5x10x4.5
6	1458479000	1	Joint, Ball M6
7	9096045000	1	Squeegee Support
8	9096052000	1	Squeegee Spring Support
9	9096495000	2	Shoulder Screw M10 X 16
10	9096497000	1	Shaft
11	9096537000	1	Push Squeegee Spring
12	9096538000	1	Push Squeegee Spring
13	9097366000	1	Cable, Squeegee Lifting
14	80223a	1	Nut, M10-1.5 Nylock
15	925044	2	Pin, Cotter-.094 X 1.00
16	964054	1	Screw M6-1 X 25mm Hex
17	980651	2	Washer, 5/16 Flat
18	38708a	2	Spacer
19	52557a	1	Knob, Lift
20	54699a	1	Knob, M8 X 55
21	61952a	1	Lever, Squeegee Lift
22	80163a	1	Nut M8-1.25 Hex
23	80171a	1	Nut, M6 Hex
24	80179a	1	Screw, M6 X 15
25	80198a	4	Nut, M8 -1.25 Nylock S.S.
26	80199a	1	Nut, M6 -1.00 Nylock S.S.
27	80424a	2	Washer Flat
28	85389a	1	Screw, 3/8-16 X 5/8
29	87007a	2	Washer Control Shaft
30	87613a	2	Washer Flat1.22 X .64 X .10 Nylon
31	88640a	1	Nut, M6-1 Acorn
32	9096635000	2	Self-Adhesive Sideburns



NOTES:
 ▲ WHEN ON-BOARD CHARGER IS USED, REMOVE BRN WIRE FROM KEY SW, CONNECT TO BRN WIRE FROM BATTERY CHARGER, & REPLACE WITH WHT/BRN WIRE FROM CHARGER. ALSO, MOVE YEL/BRN WIRE AT KEY SWITCH FROM BRN to YEL.

Item	Ref. No.	Qty	Description
A1#	56112351	1	Kit AXP Control Board
A2	56112187	1	Speed Controller 70a 24v
A3	56112243	1	Battery Charger 24v 25a (Optional)
A4	56393718	1	Hour Meter (Optional)
A5	56112136	1	Laser Module (Optional)
BAT	NA		Battery-24VDC
F1	56412089	1	Fuse, 150 Amp
CB1	56315256	1	Circuit Breaker-30 Amp
CB2	56507644	1	Circuit Breaker-10 Amp
K1	41075A	1	Contacto-Vacuum
K2	56397088	1	Contacto-Brush
K3	41075A	1	Contacto-Brush Remove
L1	56112147	1	Solenoid-Solution
M1	50981A	1	Motor-Wheel Drive
M2	40280A	1	Motor-Actuator
M3	56112240	1	Motor-Left Brush (Disk)
	56112111	1	Motor-Left Brush (Cylindrical)
M4	56112240	1	Motor-Righ Brush (Disk)
	56112111	1	Motor-Left Brush (Cylindrical)
M5	56112239	1	Motor-Vacuum
M6	56315241	1	Pump-Chemical (Optional)
R1	56397029	1	Potentiometer, 5K Ohm, Throttle
R2	56396197	1	Potentiometer-Speed Limit
R3	NA	1	Part of Main Wiring Harness
S0	NA	1	Part of M2
S1	NA	1	Part of M2
S2	NA	1	Part of M2
S3	56303553	1	Switch, Key

= Revised or new since last update



NOTES:
 △ WHEN ON_BOARD CHARGER IS USED, REMOVE BRN WIRE FROM KEY SW, CONNECT TO BRN WIRE FROM BATTERY CHARGER & REPLACE WITH WHT/BRN WIRE FROM CHARGER. ALSO, DISCONNECT YEL/BRN WIRE AT KEY SWITCH FROM BRN WIRE & CONNECT TO YEL WIRE.

Item	Ref. No.	Qty	Description
A1#	56112352	1	Kit ST Control Board
A2	56112241	1	Speed Controller 70a 24v
A3	56112243	1	Battery Charger 24v 25a (Optional)
A4	56393718	1	Hour Meter (Optional)
BAT	NA		Battery-24VDC
F1	56412089	1	Fuse, 150 Amp
CB1	56315256	1	Circuit Breaker-30 Amp
CB2	56507644	1	Circuit Breaker-10 Amp
K1	41075A	1	Contacto-Vacuum
K2	41810A	1	Contacto-Brush
L1	56112147	1	Solenoid-Solution
M1	50981A	1	Motor-Wheel Drive
M2	40280A	1	Motor-Actuator
M3	56112240	1	Motor-Left Brush (Disk)
	56112111	1	Motor-Left Brush (Cylindrical)
M4	56112240	1	Motor-Righ Brush (Disk)
	56112111	1	Motor-Left Brush (Cylindrical)
M5	56112239	1	Motor-Vacuum
R2	56315929	1	Potentiometer-Speed Limit
R3	NA	1	Part of Main Wiring Harness
R4	NA	1	Resistor-4.75K
S0	NA	1	Part of M2
S1	NA	1	Part of M2
S2	NA	1	Part of M2
S3	56303553	1	Switch, Key
S4	56315935	1	Switch-Traction
S5	56315935	1	Switch-Traction
S6	56315945	1	Switch-Reverse
S7	56112190	1	Switch-Vacuum
S8	56112190	1	Switch-Scrub
S9	56112190	1	Switch-Solution

= Revised or new since last update

OPTIONAL KITS AND ACCESSORIES

10-7

30

SC750, SC800, SC750 ST, SC800 ST

11-2

Ref. No.	Qty	Description
		Kits
* 56112246	1	Kit-Onboard Charger
* 56112141	1	Kit-VacuumWand With Tote Bag
* 56601527	1	Kit-Battery Watering
* 56302198	1	Kit-Hour Meter
* 56112221	1	Kit-Parking Brake
* 56112138	1	Kit-Laser (SC750, SC800 only)
* 56112140	1	Kit-Wet Floor Sign Holder
* 56112312	1	Kit-Mop Holder
* 56112265	1	Kit-Disk Deck Assy 26
* 56112266	1	Kit-Disk Deck Assy 28
* 56112267	1	Kit-Cylindrical Deck Assy 28
* 56112280	1	Kit-Cylindrical Deck Assy 32
* 56112279	1	Kit-Disk Deck Assy 34

NOTE: Replacement parts for the kits listed above can be found on each kit's associated instruction sheet.

		Squeegee Blade Kits for 56112216 (See Squeegee Blade Selector Guide)					
	56112247	1	Blade Kit-Squeegee Gum NOTE 1				
*	56112248	1	Blade Kit-Squeegee Red Gum NOTE 1				
*	56112249	1	Blade Kit-Squeegee PU NOTE 1				
			Squeegee Blade Kits for 56112217 (See Squeegee Blade Selector Guide)				
	56112250	1	Blade Kit-Squeegee Gum NOTE 1				
*	56112251	1	Blade Kit-Squeegee Red Gum NOTE 1				
*	56112252	1	Blade Kit-Squeegee PU NOTE 1				
			Accessories				
*	56112222	1	Utility Caddy				
*	56112255	1	Programmer With Cable				
*	56397453	6	Indicator-Battery Level (1 per battery)				
*	56044438	1	Literature pack				
			Optional Batteries				
*	56206079	4	Battery, 6v 235 A/H Wet TSBUS2008-984				
*	56391391	4	Battery, 6v 305 A/H Wet TSBUS2008-984				
*	56315959	4	Battery, 6v 312 A/H AGM TSBUS2008-984				
			Optional Battery Chargers				
*	56372947	1	Charger, 24vdc Auto 20 Amp 120vac/60hz TSBUS2008-984				
*	56388109	1	Charger, 24vdc Auto 25 Amp 120vac/60hz TSBUS2008-984				
*	56372203	1	Charger, 24vdc Auto 20 Amp 230vac/50hz TSBUS2008-984				
			26" Disk Scrub Brushes (See Brush Selector Guide)				
*	56505760	2	Short Trim Pad Holder	*	56505780	2	Short Trim Pad Holder
*	56505195	2	Pad Retainer for 56505750	*	56505195	2	Pad Retainer for 56505750
*	56505765	2	ProLite	*	56505785	2	ProLite
*	56505764	2	Prolene	*	56505784	2	Prolene
*	56505766	2	Union Mix	*	56505786	2	Union Mix
*	56505763	2	AgLite Grit 500	*	56505783	2	AgLite Grit 500
*	56505767	2	MidGrit 240	*	56505787	2	MidGrit 240
*	56505768	2	MidLite Grit 180	*	56505788	2	MidLite Grit 180
*	56505762	2	Dyna Grit 80	*	56505782	2	Dyna Grit 80
*	56505761	2	Magna Grit 46	*	56505781	2	Magna Grit 46
			28" Disk Scrub Brushes (See Brush Selector Guide)				34" Disk Scrub Brushes (See Brush Selector Guide)
*	56505800	2	Short Trim Pad Holder	*	56412191	2	Soft Nylon
*	56505195	2	Pad Retainer for 56505750	*	56412192	2	Hard Nylon
*	56505805	2	ProLite	*	56412046	2	Prolene
*	56505804	2	Prolene	*	56412193	2	MidLite Grit 180
*	56505806	2	Union Mix	*	56412194	2	Dyna Grit 80
*	56505803	2	AgLite Grit 500	*	56412195	2	Magna Grit 46
*	56505807	2	MidGrit 240				32" Cylindrical Scrub Brushes (See Brush Selector Guide)
*	56505808	2	MidLite Grit 180	*	56407473	2	Soft Nylon
*	56505802	2	Dyna Grit 80	*	56407474	2	Hard Nylon
*	56505801	2	Magna Grit 46	*	56407475	2	Prolene
				*	56407476	2	MidLite Grit 180
				*	56407477	2	Dyna Grit 80
				*	56407478	2	Magna Grit 46

* = Optional, Not Included

NOTE 1: All squeegee blade kits include both front and rear squeegee blades.

We provide brushes and pad holders that will give you the best possible performance between machine and floor. Following are descriptions of the materials and their applications.

- ProLite:** Bristles are made from light-duty polypropylene for general scrubbing when you do not want to scratch or remove finish from the floor. Recommended for use in place of red pads.
- Prolene:** Polypropylene material for medium-duty scrubbing on concrete, terrazzo and vinyl floor tile. Recommended for use in place of green or blue pads.
- Union Mix:** Medium grade natural fibers for polishing finished floors with standard-speed equipment. Recommended for use in place of white pads.
- AgLite Grit 500:** For light scrubbing when used wet; buffing or polishing when used dry on urethane coated, sealed concrete or other resilient hard surface floors. Recommended for use in place of red or white pads.
- MidGrit 240:** For general purpose scrubbing when you need a lighter action for sealed or unsealed concrete, stone, terrazzo, quarry tile and other resilient hard floor surfaces. Recommended for use in place of green or blue pads.
- MidLite Grit 180:** For general purpose scrubbing of sealed or unsealed concrete, stone, terrazzo, quarry tile and other resilient hard floor surfaces. Recommended for use in place of green or blue pads.
- Dyna Grit 80:** For aggressive, heavy-duty scrubbing or stripping of floors. Recommended for use in place of brown pads.
- Magna Grit 46:** For extreme heavy-duty scrubbing or stripping of floors. This brush has extra large diameter silicon carbide grit impregnated synthetic bristles. Recommended for use in place of black pads.
- Short Trim Pad Holder:** Made with a structural foam block and center ring for correct pad centering. It has a "shower feed" design for getting solution to the floor.

26" BRUSHES

56505760 - Short Trim Pad Holder
 56505195 - Pad Retainer for 56505760
 56505765 - ProLite
 56505764 - Prolene
 56505766 - Union Mix
 56505763 - AgLite Grit 500
 56505767 - MidGrit 240
 56505768 - MidLite Grit 180
 56505762 - Dyna Grit 80
 56505761 - Magna Grit 46

28" BRUSHES

56505800 - Short Trim Pad Holder
 56505195 - Pad Retainer for 56505800
 56505805 - ProLite
 56505804 - Prolene
 56505806 - Union Mix
 56505803 - AgLite Grit 500
 56505807 - MidGrit 240
 56505808 - MidLite Grit 180
 56505802 - Dyna Grit 80
 56505801 - Magna Grit 46

34" BRUSHES

56505780 - Short Trim Pad Holder
 56505195 - Pad Retainer for 56505800
 56505785 - ProLite
 56505784 - Prolene
 56505786 - Union Mix
 56505783 - AgLite Grit 500
 56505787 - MidGrit 240
 56505788 - MidLite Grit 180
 56505782 - Dyna Grit 80
 56505781 - Magna Grit 46

DISC BRUSH APPLICATION GUIDE (SUGGESTION ONLY)

	46	80	180	240	500			Union
Application	Grit	Grit	Grit	Grit	Grit	Prolene	Prolite	Mix
Stripping:								
Concrete	X	X						
Terrazzo	X	X						
Ceramic/Quarry tile		X						
Vinyl tile		X						
General Scrubbing:								
Concrete	X	X	X	X		X		
Terrazzo			X	X	X	X		
Ceramic/Quarry tile			X	X	X	X		
Marble					X		X	
Vinyl tile			X		X	X		
Raised-rubber tile					X		X	
Polishing:								
Raised Disc Tile								X
Marble								X
Vinyl tile								X

We provide brushes and pad holders that will give you the best possible performance between machine and floor. Following are descriptions of the materials and their applications.

- Soft Nylon:** Least aggressive brush available. Used on soft-finish floors where a more aggressive brush would leave scratch marks, or in applications requiring very light cleaning.
- Stiff Nylon:** Cleaning action similar to polypropylene. More durable and wear-resistant than polypropylene.
- Prolene:** Low cost, yet effective in cleaning many common floor surfaces.
- MidLite Grit 180:** Least aggressive grit brush. Used for daily cleaning of hard-finished floors.
- Dyna Grit 80:** Medium aggressive grit brush. Good all-around brush for medium to heavy buildup removal. Can also be used for general stripping operations.
- Magna Grit 46:** Most aggressive grit brush. Used primarily to clean heavy buildup on concrete floors in factories, or for heavy stripping of finish.

28" BRUSHES

56412191 - Soft Nylon
 56412192 - Hard Nylon
 56412046 - Prolene
 56412193 - MidLite Grit 180
 56412194 - Dyna Grit 80
 56412195 - Magna Grit 46

34" BRUSHES

56407473 - Soft Nylon
 56407474 - Hard Nylon
 56407475 - Prolene
 56407476 - MidLite Grit 180
 56407477 - Dyna Grit 80
 56407478 - Magna Grit 46

CYLINDRICAL BRUSH APPLICATION GUIDE (SUGGESTION ONLY)

Application	46 Grit	80 Grit	180 Grit	Polypro- pylene	Stiff Nylon	Soft Nylon
Stripping:						
Concrete	X	X				
Terrazzo	X	X				
Ceramic/Quarry tile		X				
Vinyl tile		X				
General Scrubbing:						
Concrete	X	X	X	X	X	
Terrazzo			X	X	X	X
Ceramic/Quarry tile			X	X	X	X
Marble			X		X	X
Vinyl tile			X	X	X	X
Raised-rubber tile			X			X

Gum Rubber: Provides superior wiping action on tile, terrazzo, and polished floors.

Red Gum Rubber: Provides longest life on finished or unfinished concrete floors.

Polyurethane: Oil resistance provides superior life in applications with oily floors.

SQUEEGEE BLADE APPLICATION GUIDE(SUGGESTION ONLY)

Performance Traits	Gum Rubber (Natural Rubber)	Red Gum Rubber (Natural Rubber)	Polyurethane/ Pentathane
Resilience	X		X
Tear Strength	X		X
Abrasion Resistance	X	X	X
Wear Resistance		X	X
Low Temp Flexibility	X	X	
High Temp Flexibility	X		X
Ozone Resistance			
Chemical Resistance			X
Applications			
Oil Resistant Applications			X
General Purpose	X	X	X
Hot Water Applications		X	X
Chemical Applications			X
Color	Tan	Red	Translucent



14600 21st Avenue North
Plymouth, MN 55447-3408
www.advance-us.com
Phone: 800-989-2235
Fax: 800-989-6566
©2011 Nilfisk-Advance, Inc.

A Nilfisk-Advance Brand